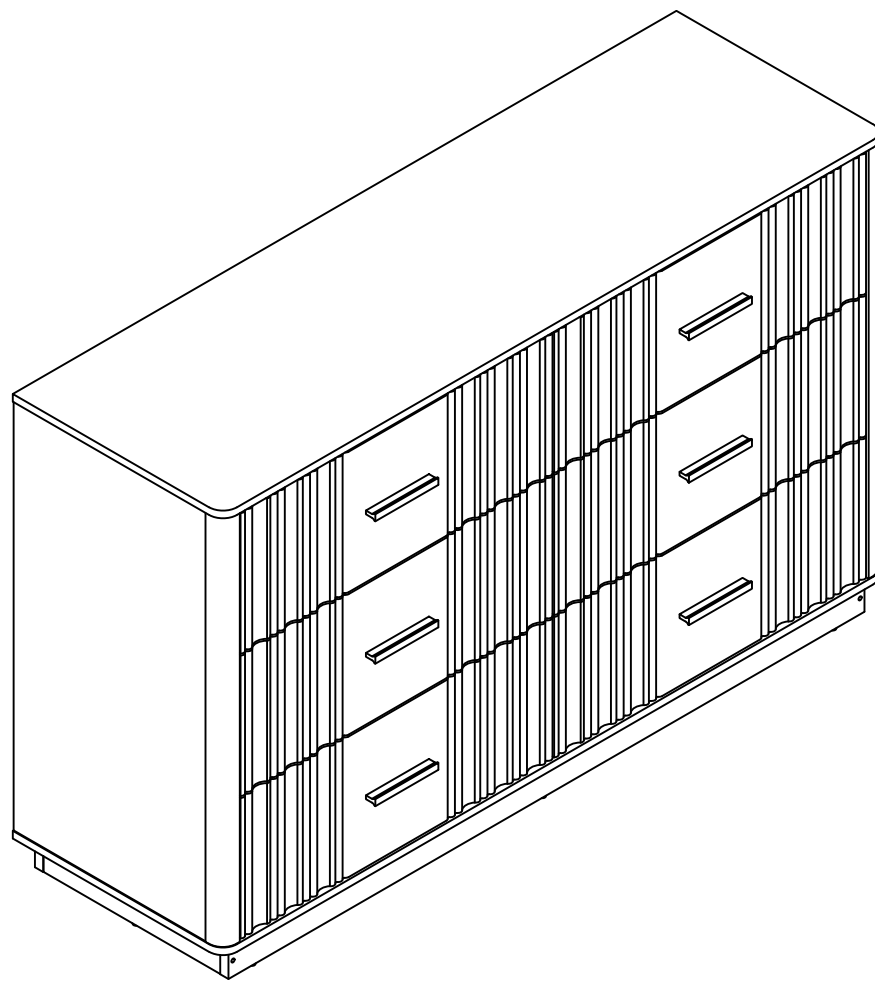


Assembly Instructions

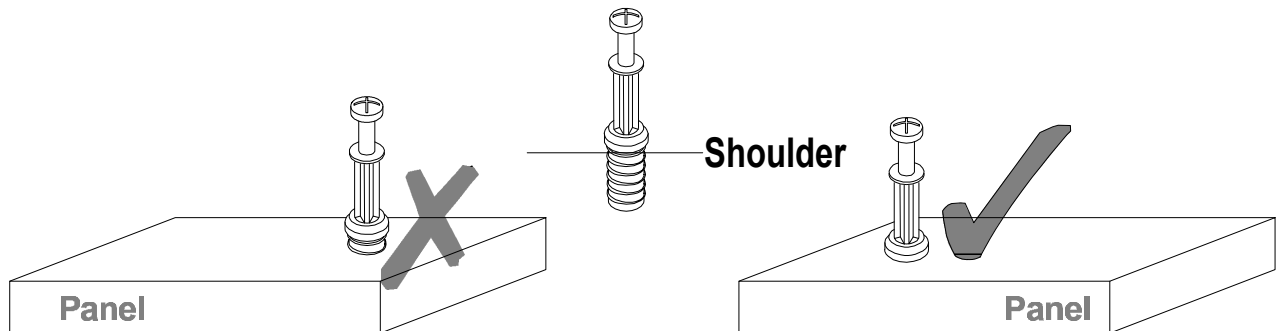


Before Assembly

Tips Before Your Start:

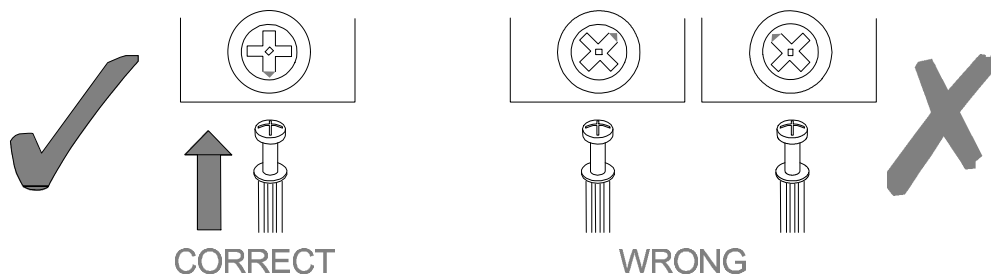
- Remove all wrapping material, including staples & packing straps before you start to assemble.
- DO NOT tighten all screws and bolts until the assembly is completely assembled.
- Keep all hardware parts out of reach of children.

QUICKFIT



Tighten quickfit until shoulder is flush with panel. Do not overtighten or undertighten.

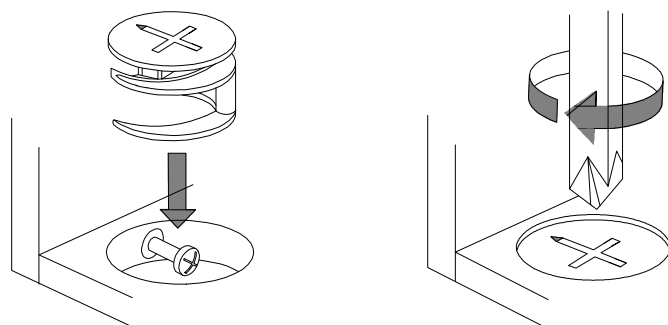
CAM LOCK



When fitting a cam lock, ensure the starting position is correct before inserting the connecting QUI CKFIT

Quickfit head should be in the centre of the cam lock when the two panels are joined.

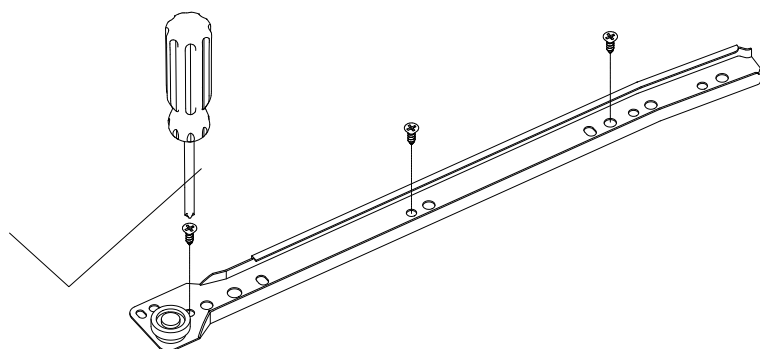
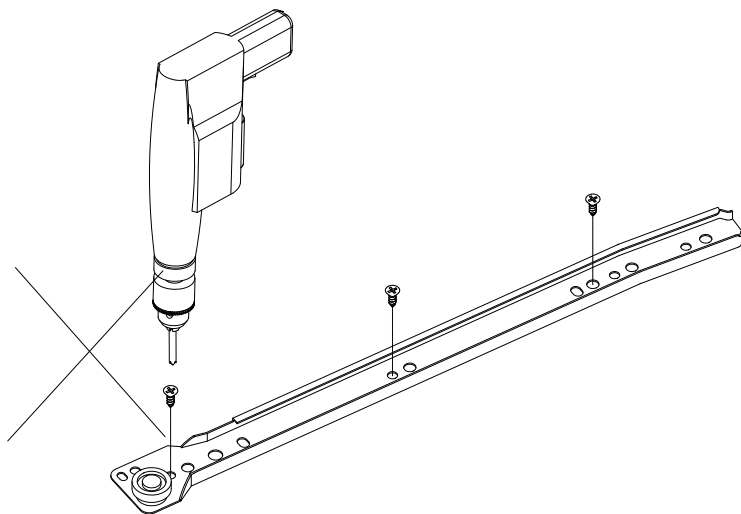
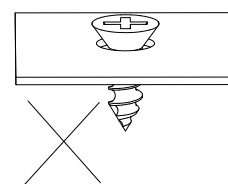
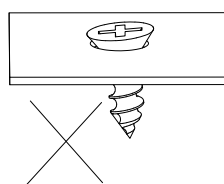
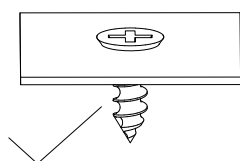
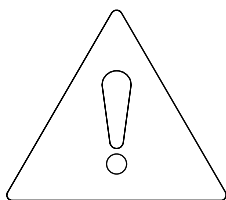
Cam lock should be inserted before quickfit.



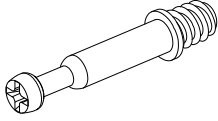


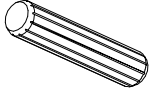
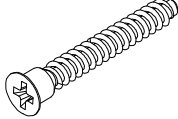
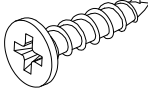
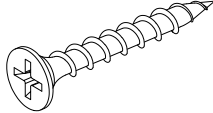
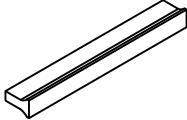
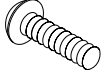
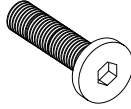
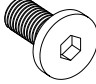

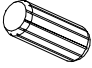
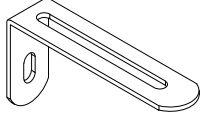
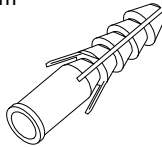
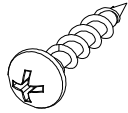
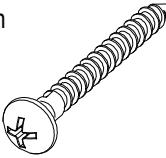
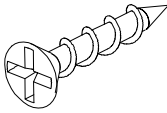
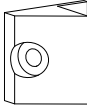
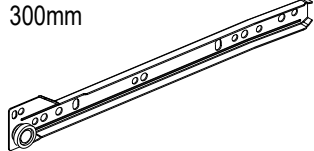
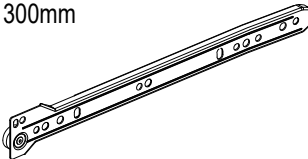
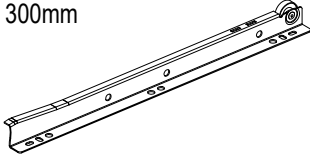
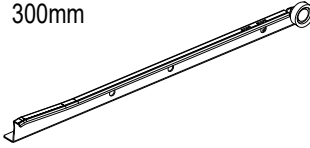
Turn cam lock clockwise to tighten.

SAFETY TIPS:Static charge may cause dust on foam - clean with a dry or damp cloth.Small foam strands may be present - handle gently and dispose of properly.Do not bur or incinerate. Check local recycling guidelines.

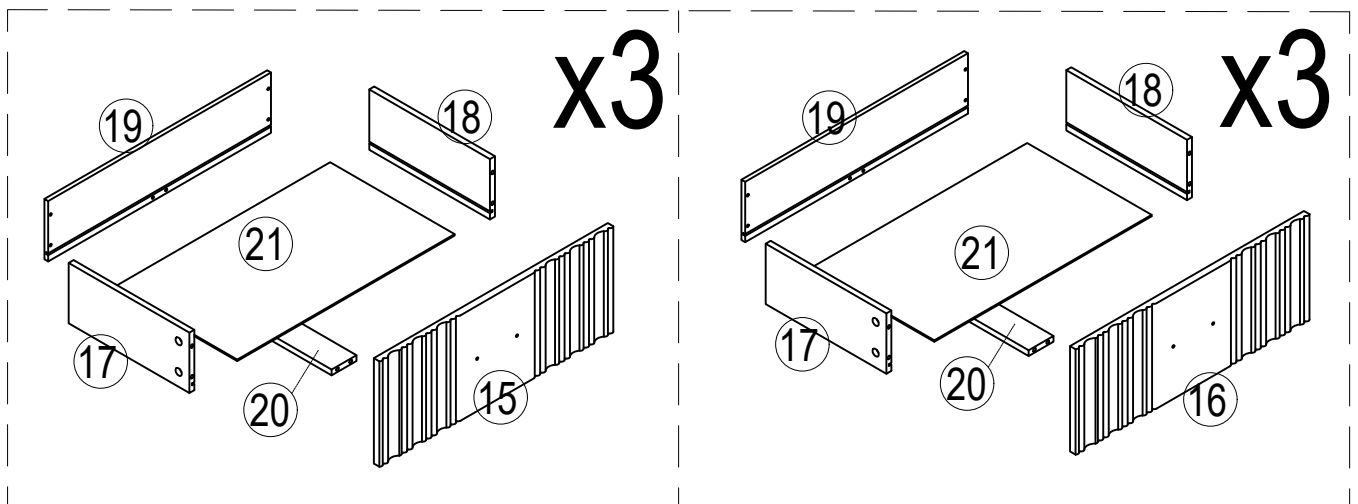
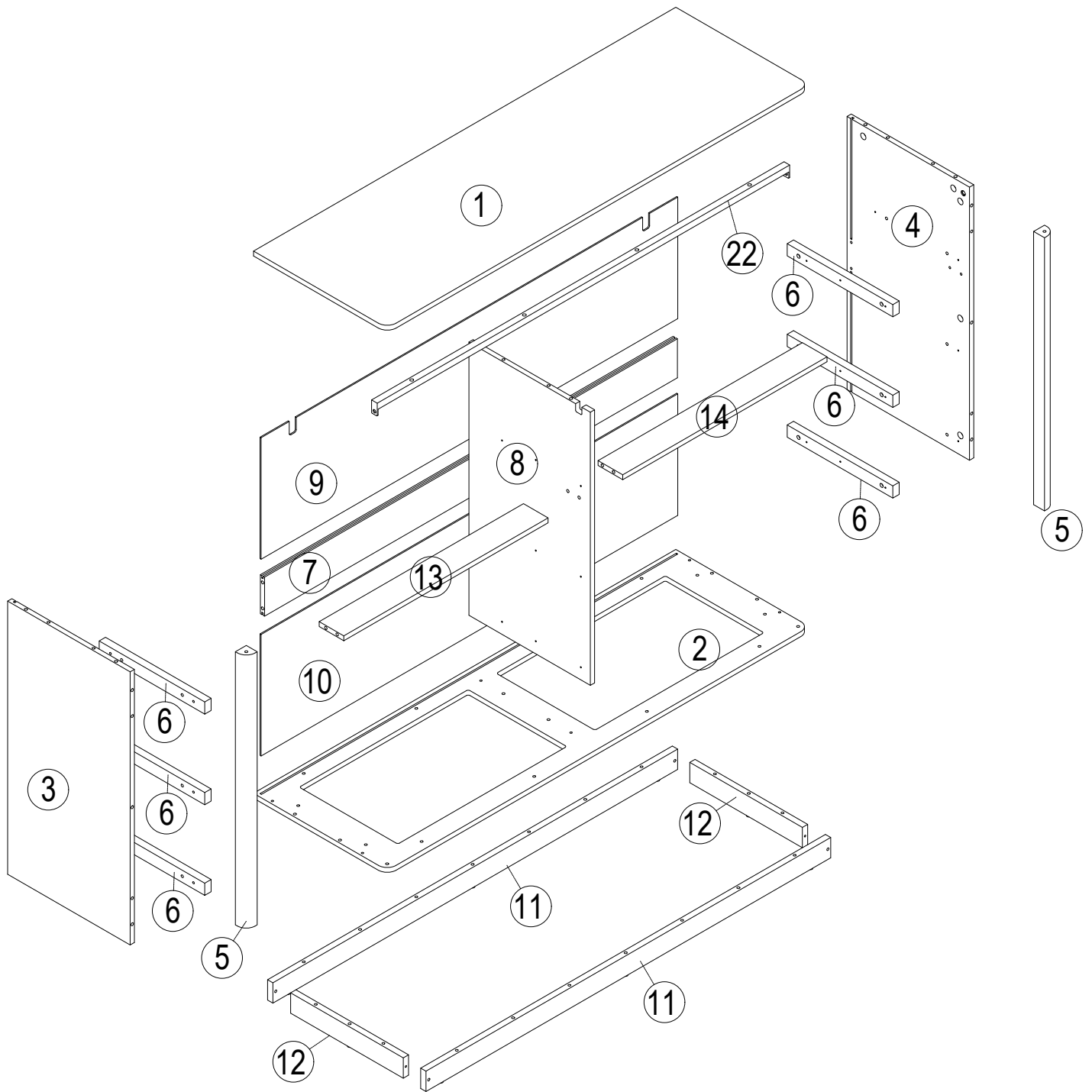
Please kindly note the following points when you assemble the sliders of the drawers



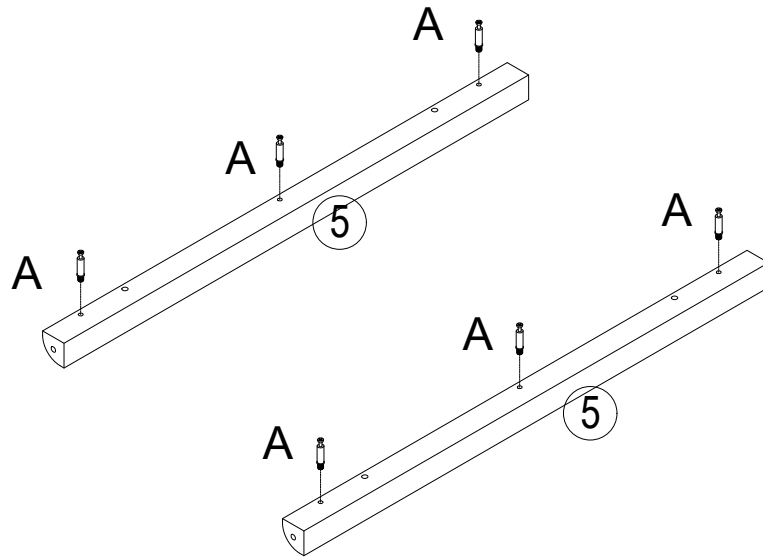
Part List

<p>No. A Quantity: 60+2 PCS Cam Bolt ø6x33.5mm</p> 	<p>No. B Quantity: 60+2 PCS Cam ø15x9.5mm</p> 	<p>No. C Quantity: 60+2 PCS Sticker ø20mm</p> 	<p>No. D Quantity: 28+2 PCS Dowel ø6x30mm</p> 
<p>No. E Quantity: 24+2 PCS Screw ø5x48mm</p> 	<p>No. F Quantity: 72+2 PCS Screw ø3.5x12mm</p> 	<p>No. G Quantity: 48+2 PCS Screw ø4x25mm</p> 	<p>No. H Quantity: 6 PCS Handle 114x17x11mm</p> 
<p>No. I Quantity: 12+1 PCS Screw M4x20mm</p> 	<p>No. J Quantity: 4 PCS Bolt M6x25mm</p> 	<p>No. K Quantity: 2 PCS Bolt M6x12mm</p> 	<p>No. L Quantity: 1 PCS Hex Key 4mm</p> 
<p>No. M Quantity: 12+1 PCS Dowel ø6x20mm</p> 	<p>No. N Quantity: 2 PCS L-Shaped anti tipping iron bar 76x15x30mm</p> 	<p>No. O Quantity: 2 PCS Plastic Expansion ø8x40mm</p> 	<p>No. P Quantity: 2 PCS Screw ø4x10mm</p> 
<p>No. Q Quantity: 2 PCS Screw ø4x38mm</p> 	<p>No. R Quantity: 10 PCS Screw ø3x16mm</p> 	<p>No. S Quantity: 10 PCS Back Buckle 15x15x10mm</p> 	<p>No. CL Quantity: 6 PCS Drawer Slider 300mm</p> 
<p>No. CR Quantity: 6 PCS Drawer Slider 300mm</p> 	<p>No. DL Quantity: 6 PCS Drawer Slider 300mm</p> 	<p>No. DR Quantity: 6 PCS Drawer Slider 300mm</p> 	

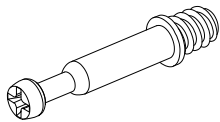
Product structure



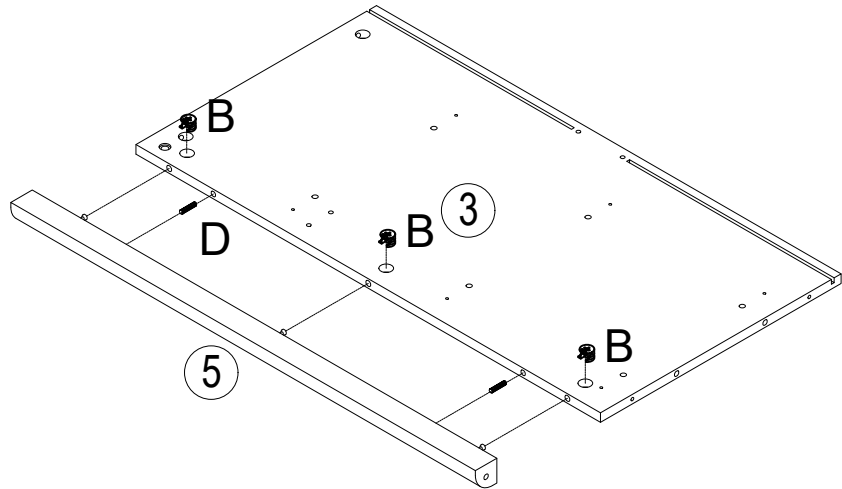
STET 1



No. A
Quantity: 6 PCS
Cam Bolt
ø6x33.5mm



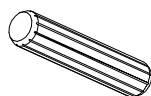
STET 2



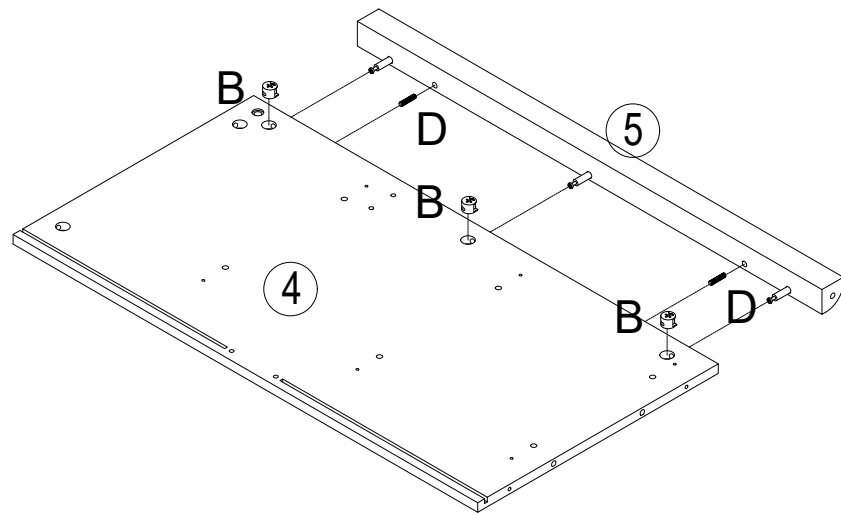
No. B
Quantity: 3 PCS
Cam
ø15x9.5mm



No. D
Quantity: 2 PCS
Dowel
ø6x30mm



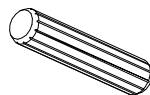
STET 3



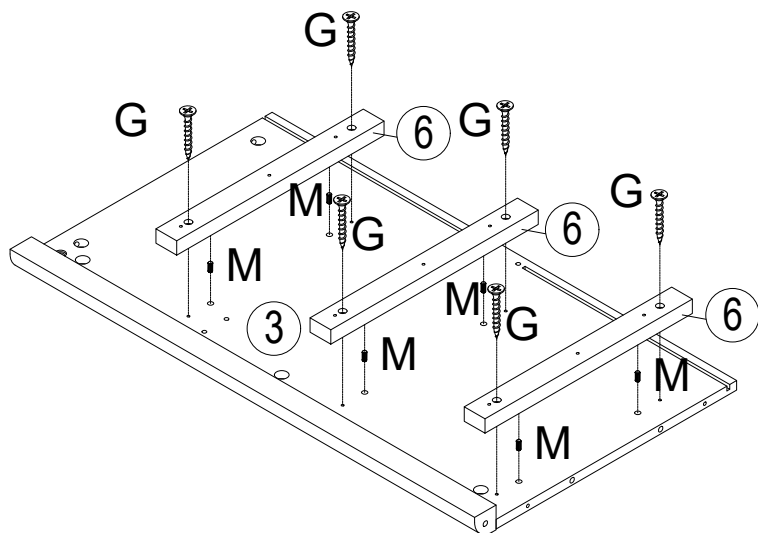
No. B
Quantity: 3 PCS
Cam
ø15x9.5mm



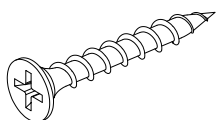
No. D
Quantity: 2 PCS
Dowel
ø6x30mm



STET 4



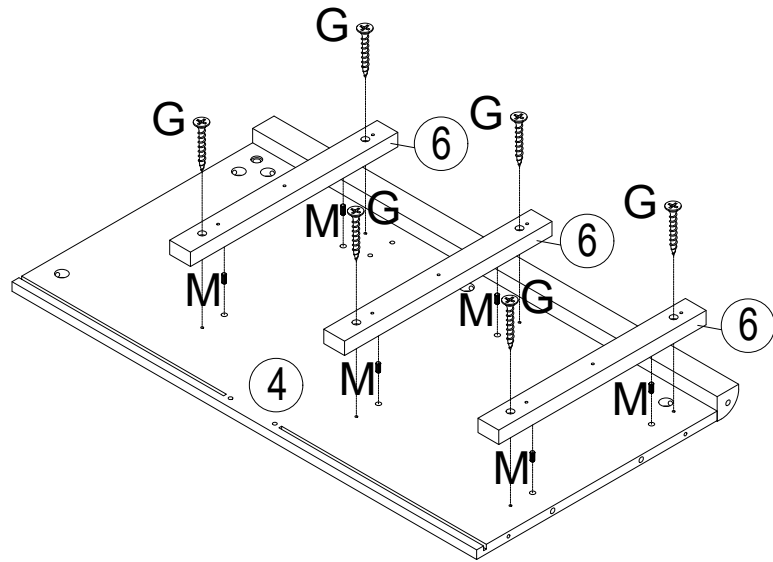
No. G
Quantity: 6 PCS
Screw
ø4x25mm



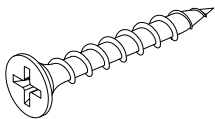
No. M
Quantity: 6 PCS
Dowel
ø6x20mm



STET 5



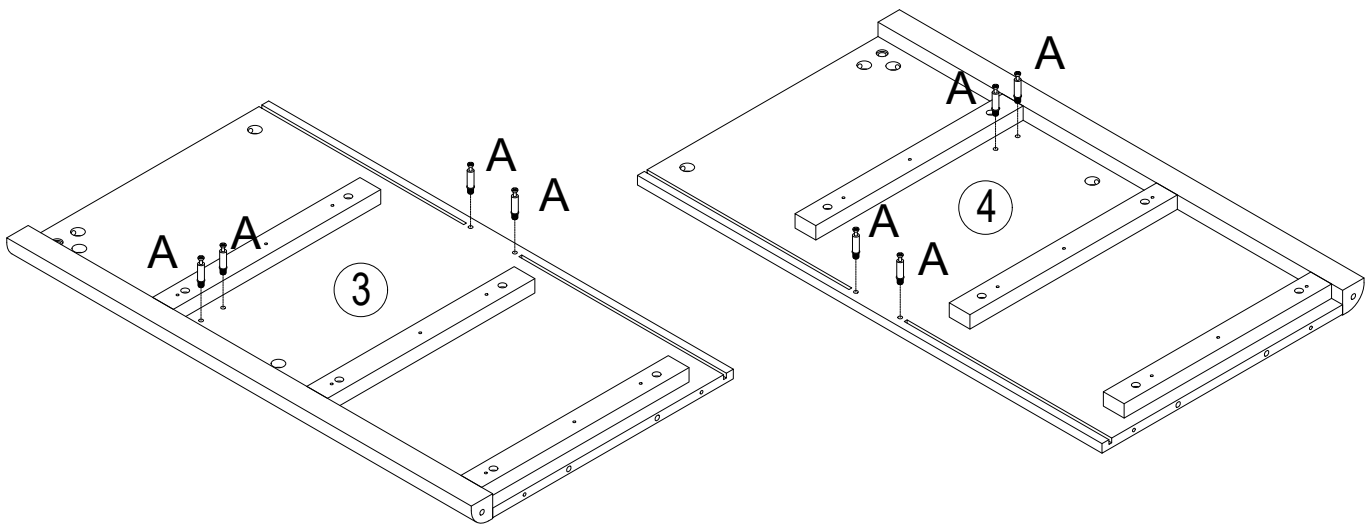
No. G
Quantity: 6 PCS
Screw
ø4x25mm



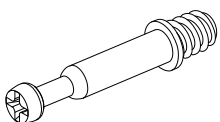
No. M
Quantity: 6 PCS
Dowel
ø6x20mm



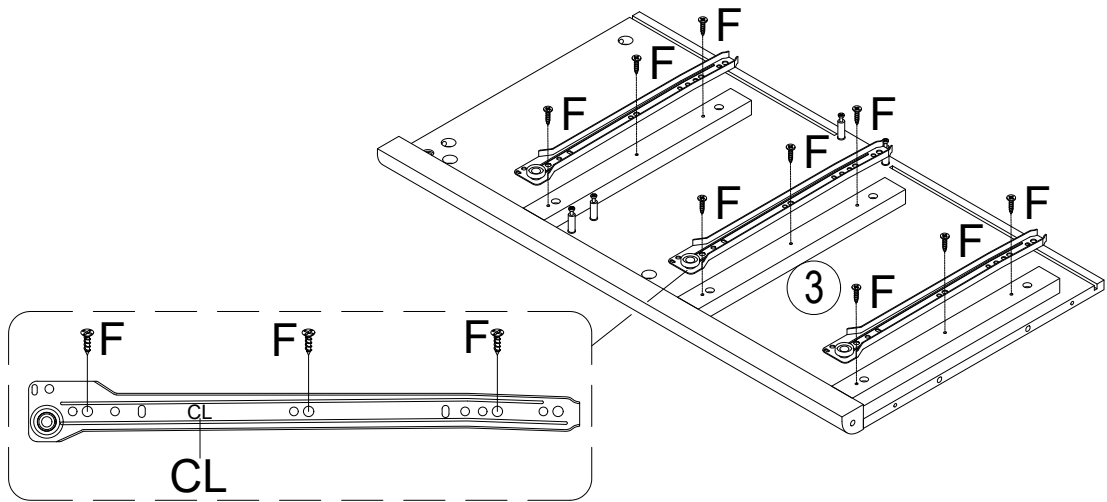
STET 6



No. A
Quantity: 8 PCS
Cam Bolt
ø6x33.5mm

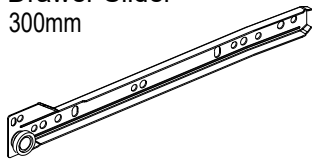


STET 7



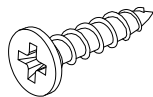
No. CL

Quantity: 3 PCS
Drawer Slider
300mm

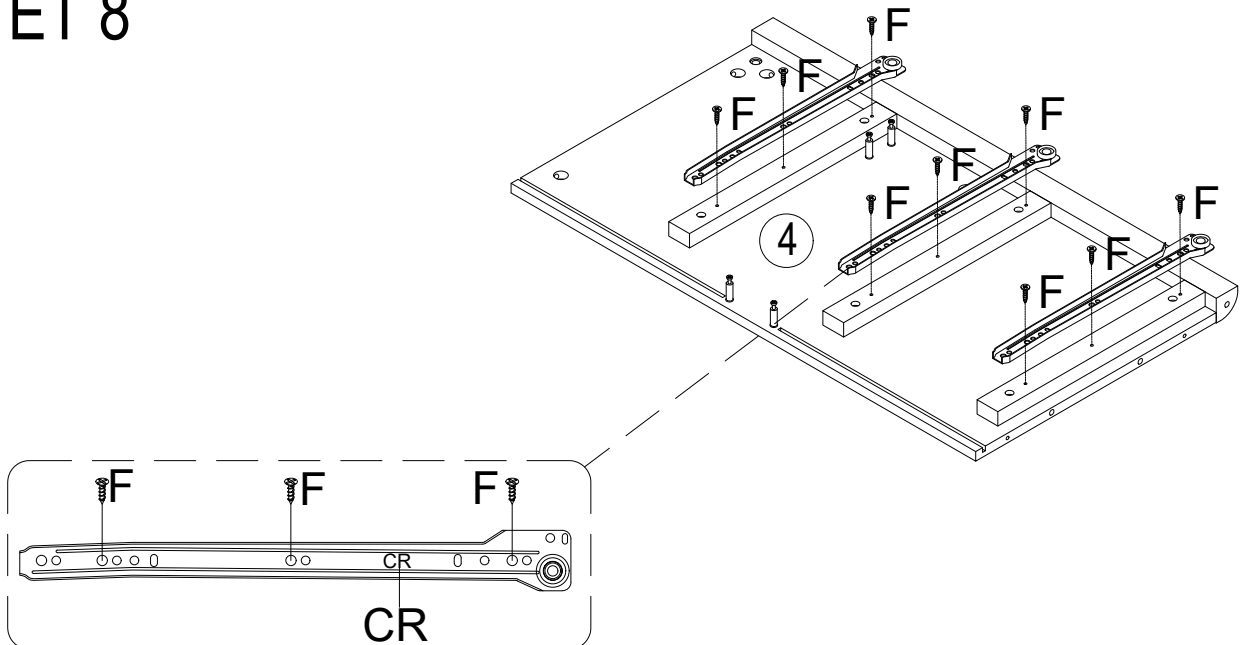


No. F

Quantity: 9 PCS
Screw
ø3.5x12mm

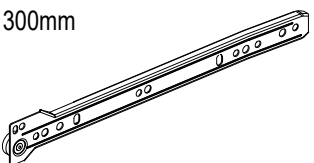


STET 8



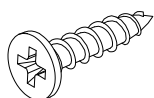
No. CR

Quantity: 3 PCS
Drawer Slider
300mm

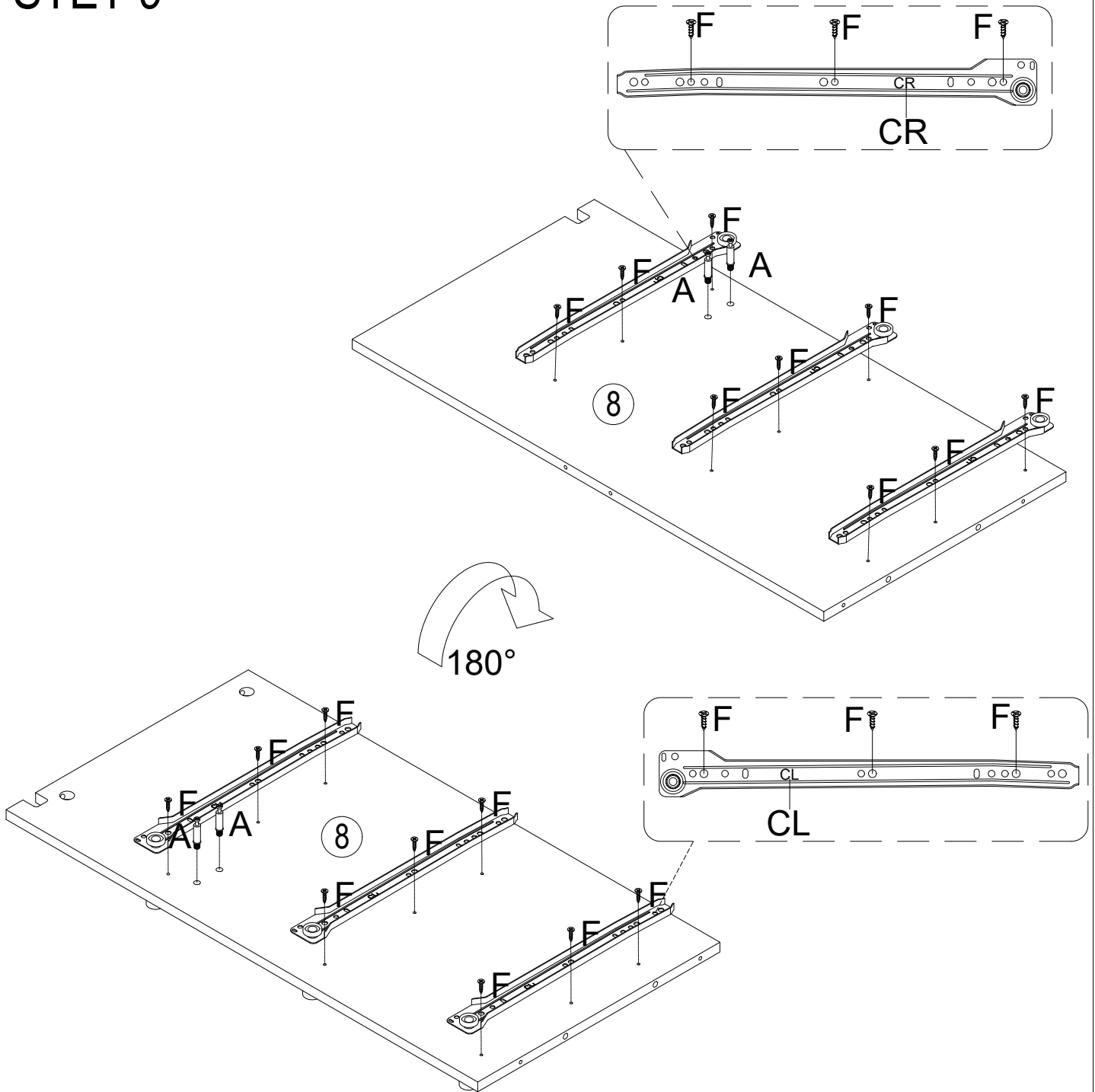


No. F

Quantity: 9 PCS
Screw
ø3.5x12mm

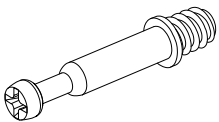


STET 9



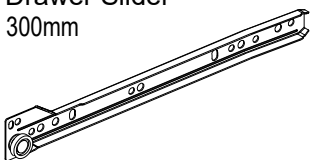
No. A

Quantity: 4 PCS
Cam Bolt
ø6x33.5mm



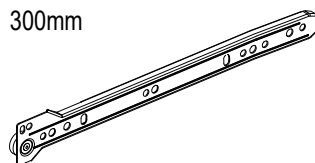
No. CL

Quantity: 3 PCS
Drawer Slider
300mm



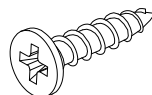
No. CR

Quantity: 3 PCS
Drawer Slider
300mm

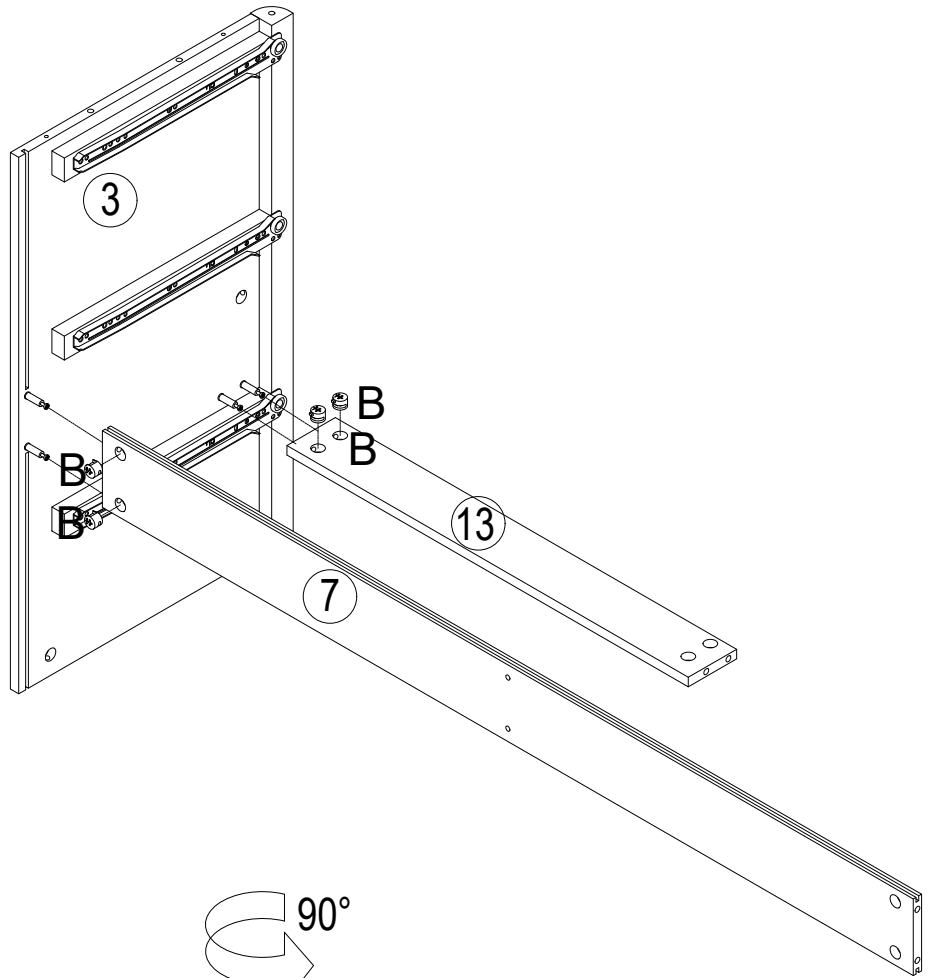


No. F

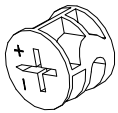
Quantity: 18 PCS
Screw
ø3.5x12mm



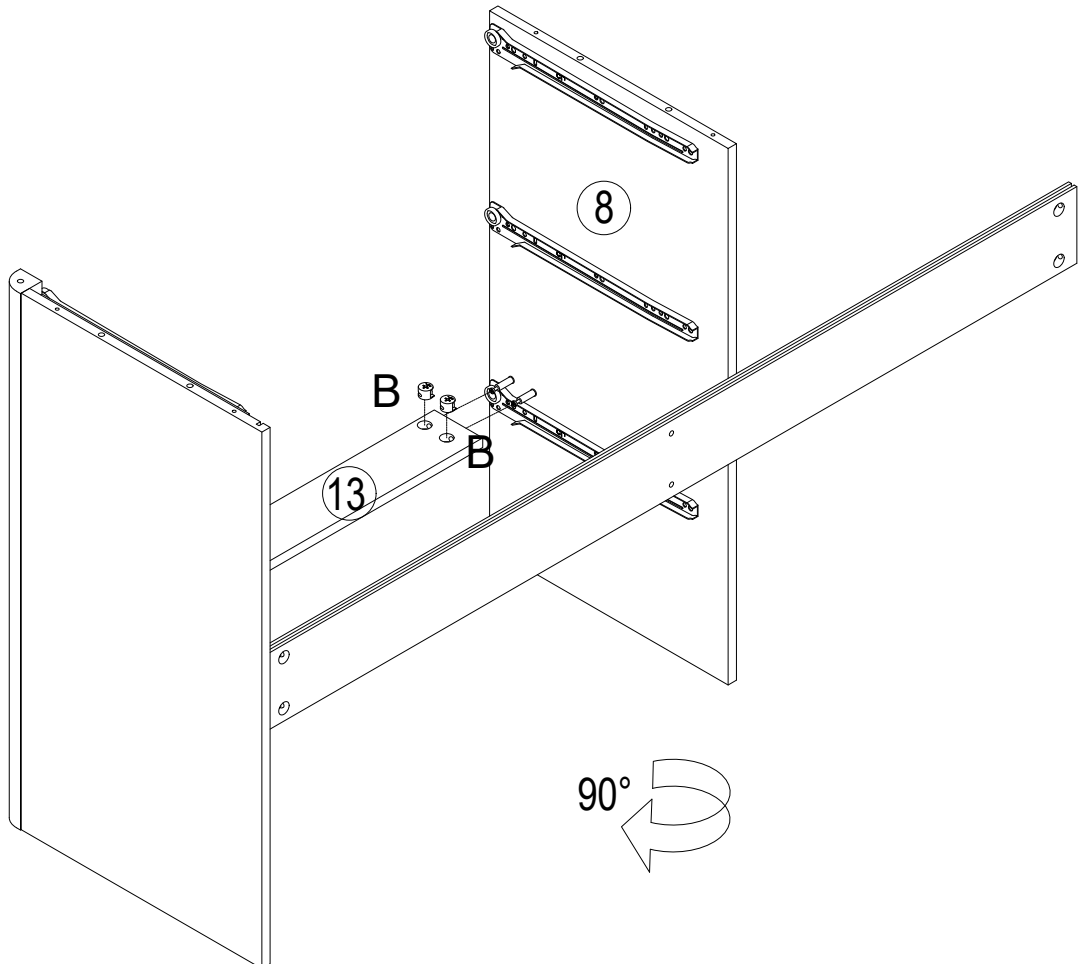
STET 10



No. B
Quantity: 4 PCS
Cam
ø15x9.5mm



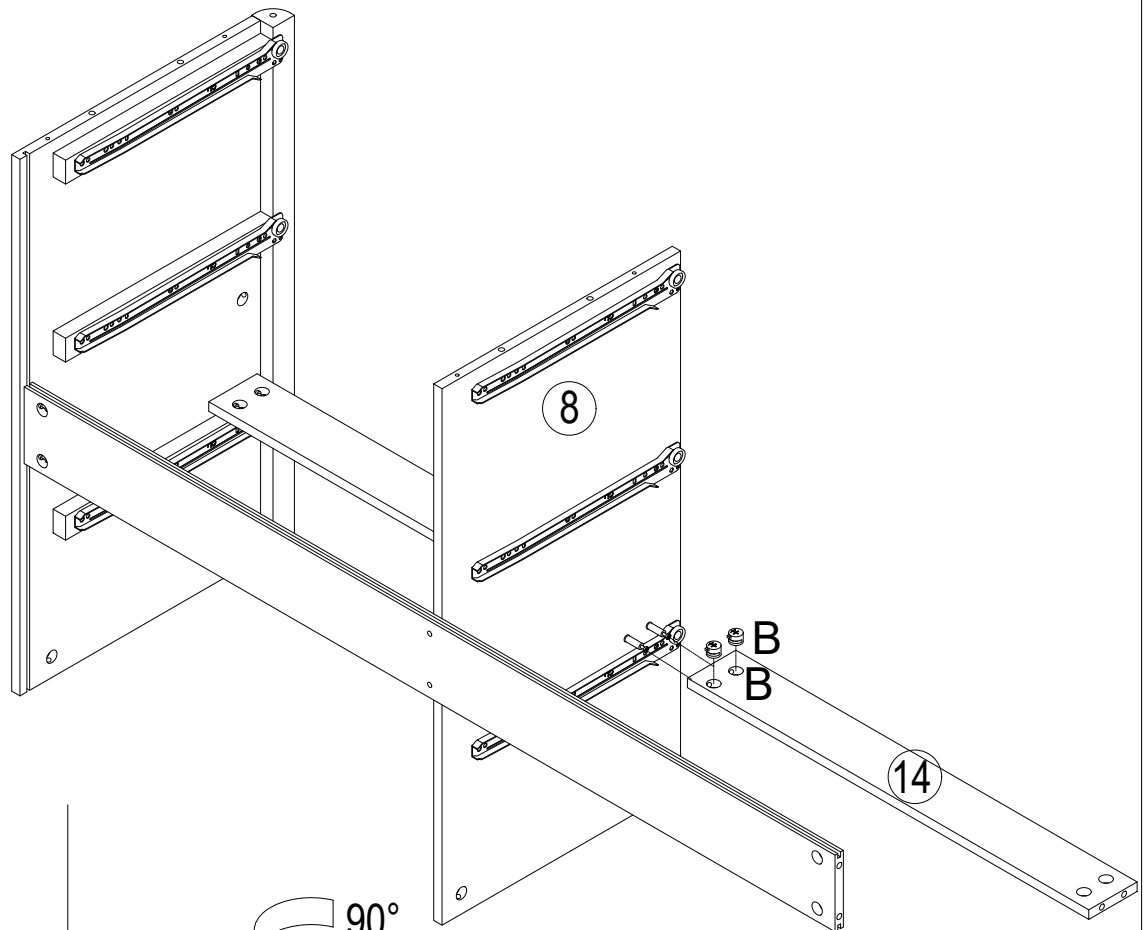
STET 11



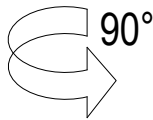
No. B
Quantity: 2 PCS
Cam
ø15x9.5mm



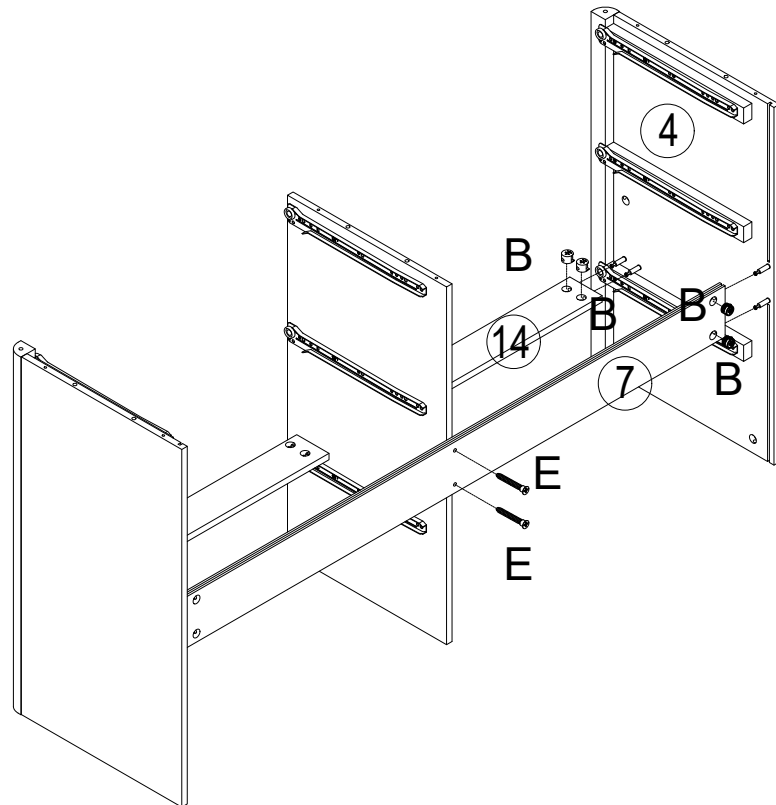
STET 12



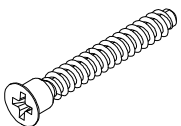
No. B
Quantity: 2 PCS
Cam
ø15x9.5mm



STET 13



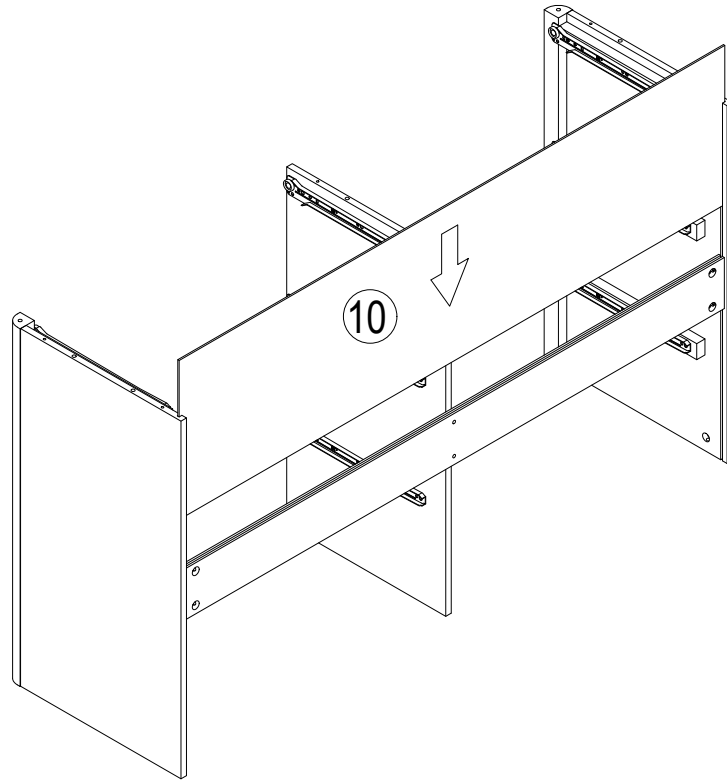
No. E
Quantity: 2 PCS
Screw
ø5x48mm



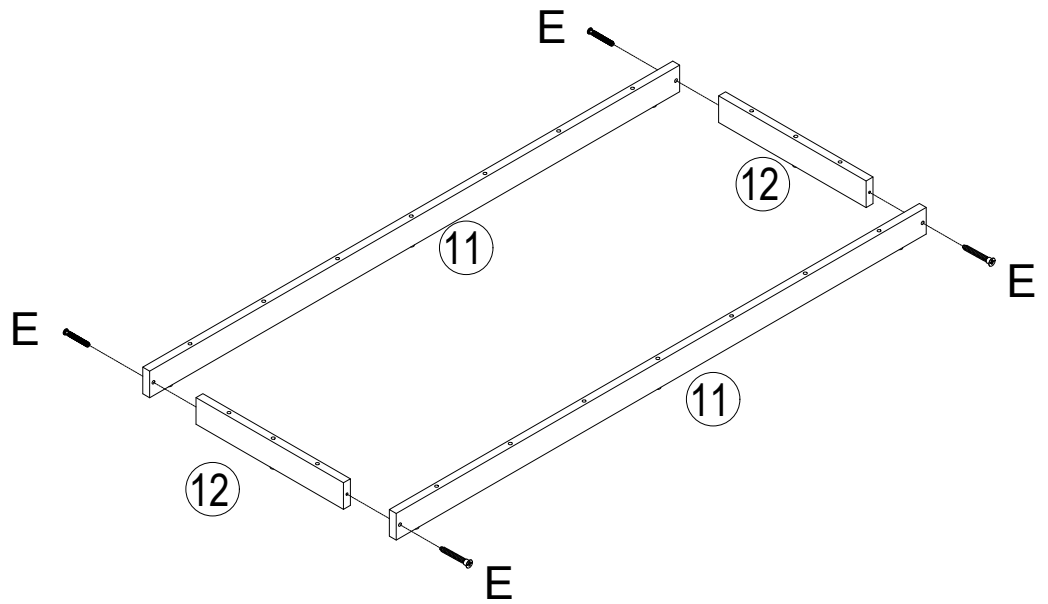
No. B
Quantity: 4 PCS
Cam
ø15x9.5mm



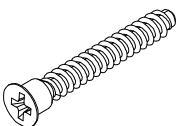
STET 14



STET 15

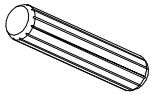


No. E
Quantity: 4 PCS
Screw
ø5x48mm

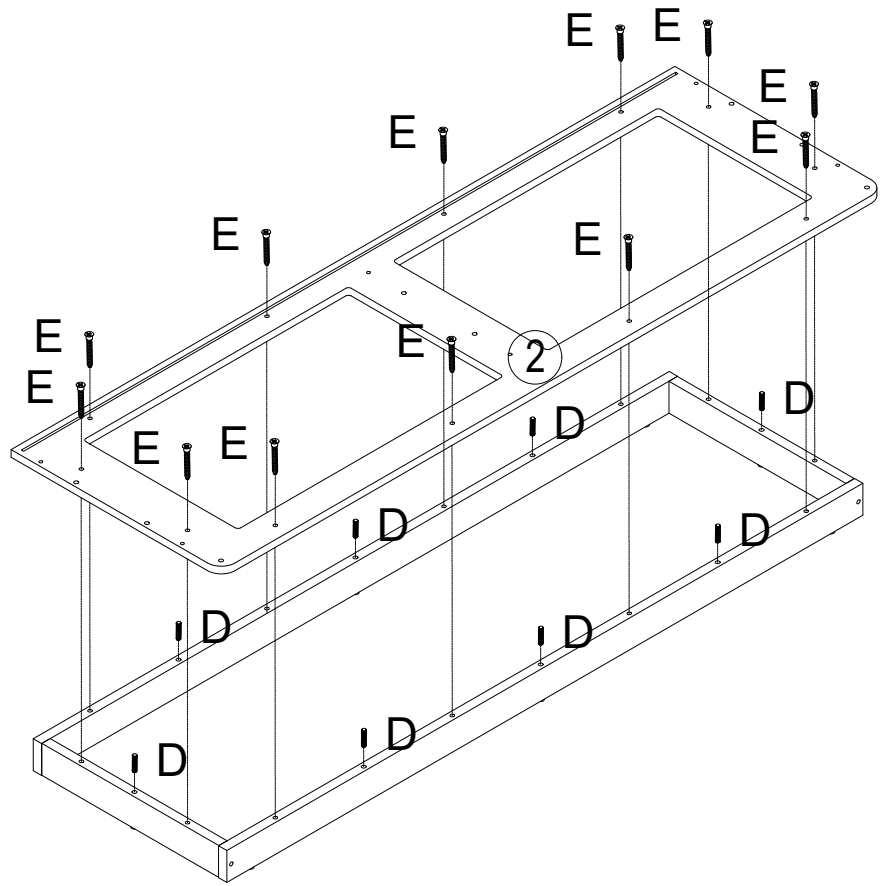
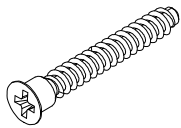


STET 16

No. D
Quantity: 8 PCS
Dowel
ø6x30mm

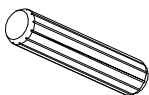


No. E
Quantity: 12 PCS
Screw
ø5x48mm

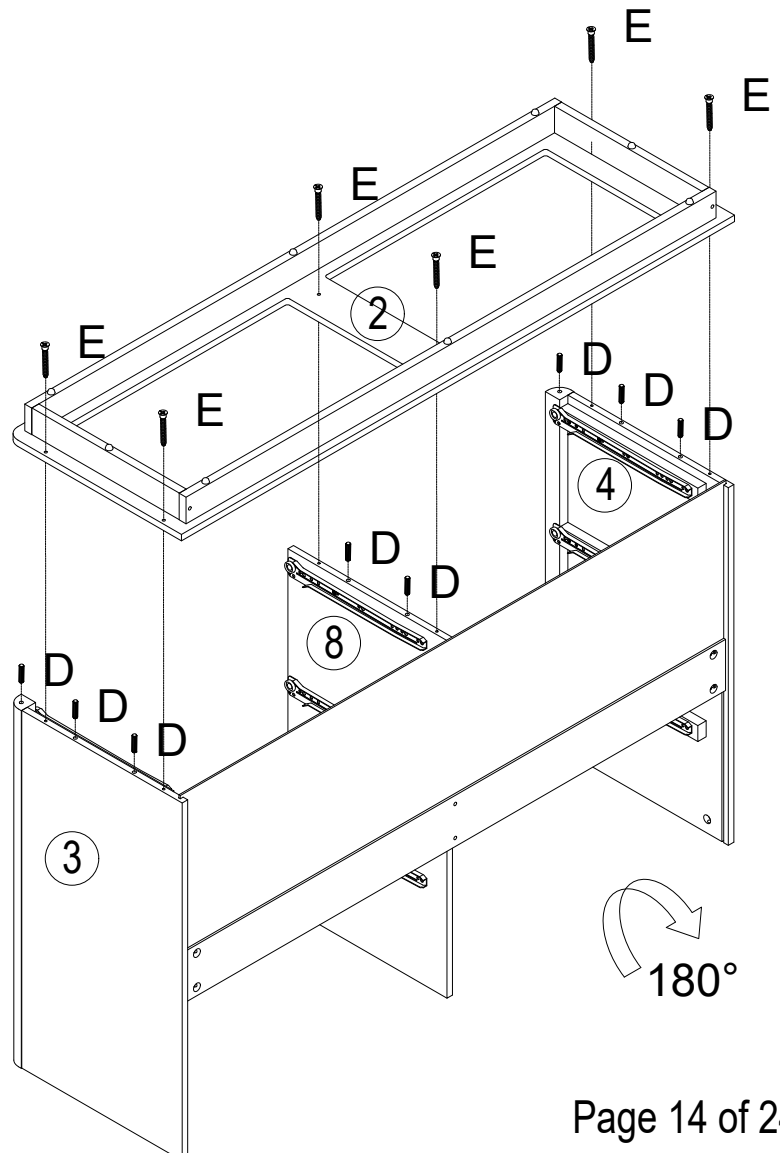
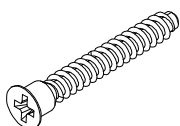


STET 17

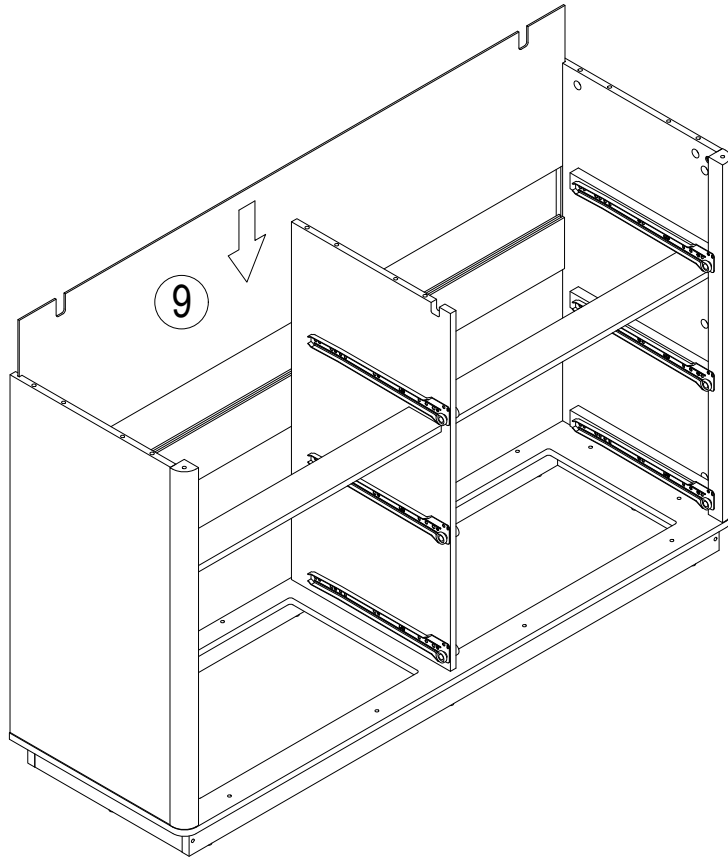
No. D
Quantity: 8 PCS
Dowel
ø6x30mm



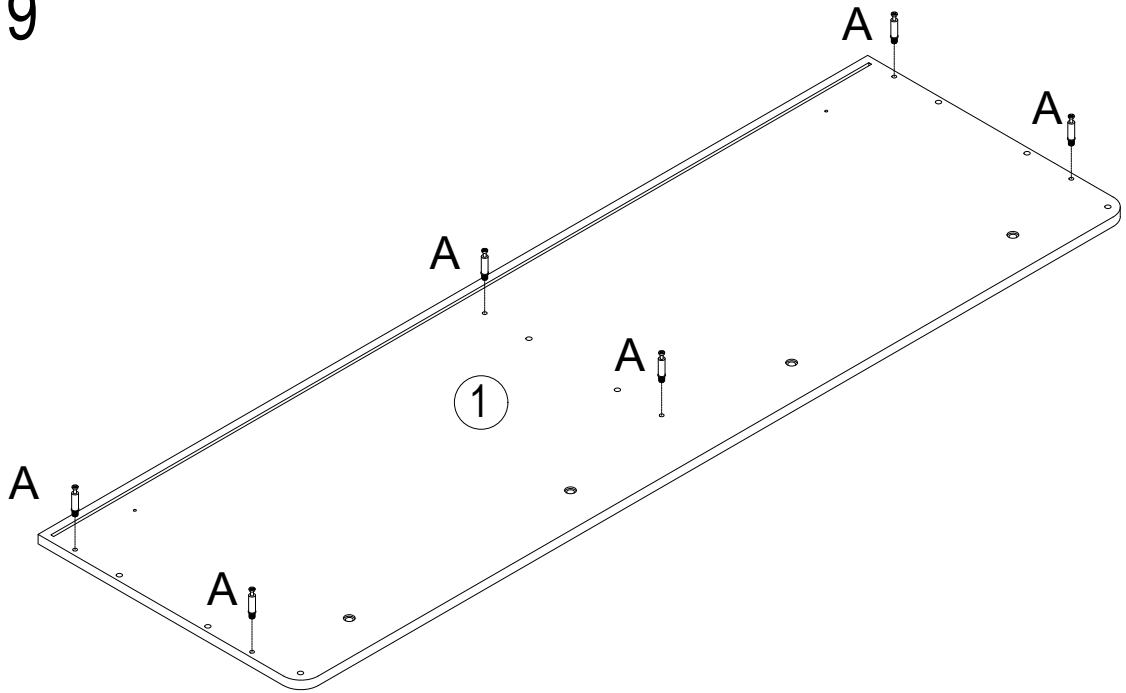
No. E
Quantity: 6 PCS
Screw
ø5x48mm



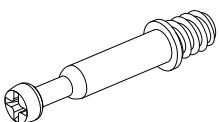
STET 18



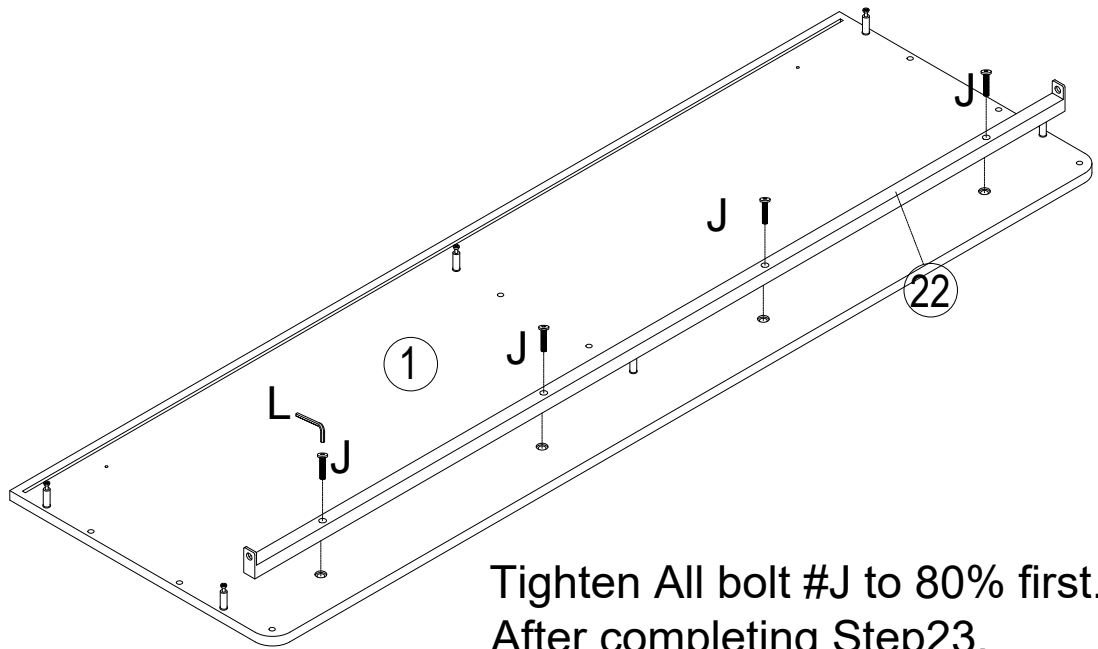
STET 19



No. A
Quantity: 6 PCS
Cam Bolt
ø6x33.5mm



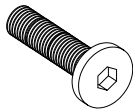
STET 20



Tighten All bolt #J to 80% first.
After completing Step23,
tighten All bolt completely.

No. J

Quantity: 4 PCS
Bolt
M6x25mm

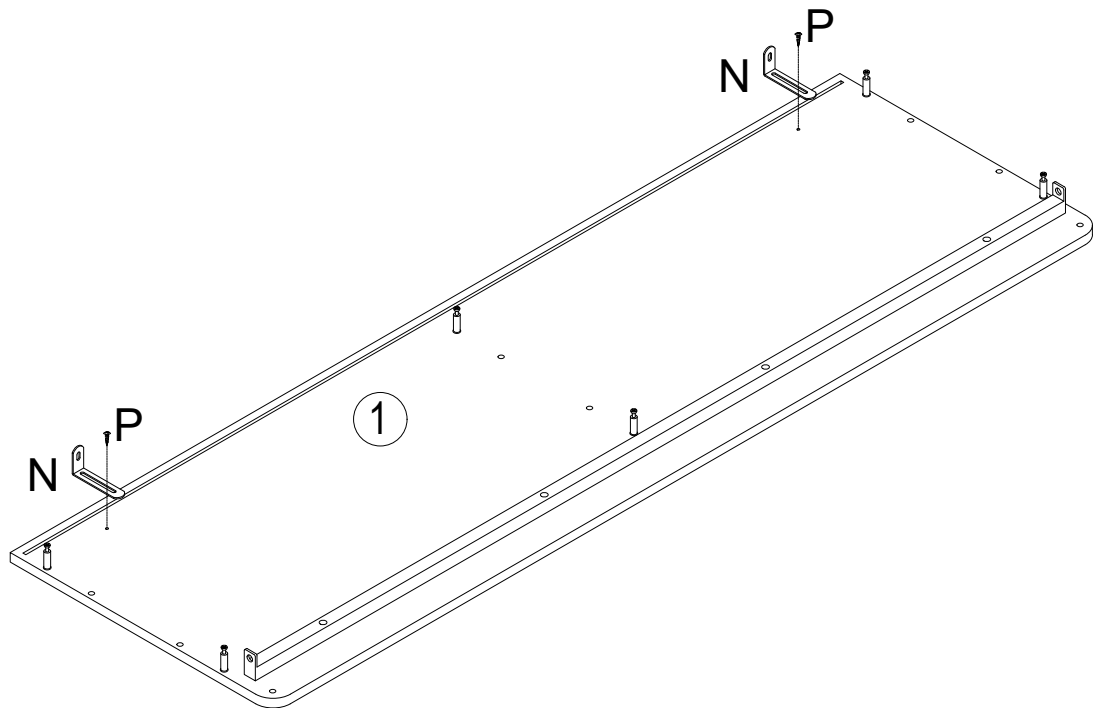


No. L

Quantity: 1 PCS
Hex Key
4mm

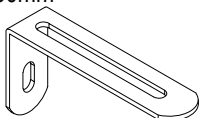


STET 21



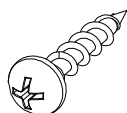
No. N

Quantity: 2 PCS
L-Shaped anti tipping iron
bar
76x15x30mm

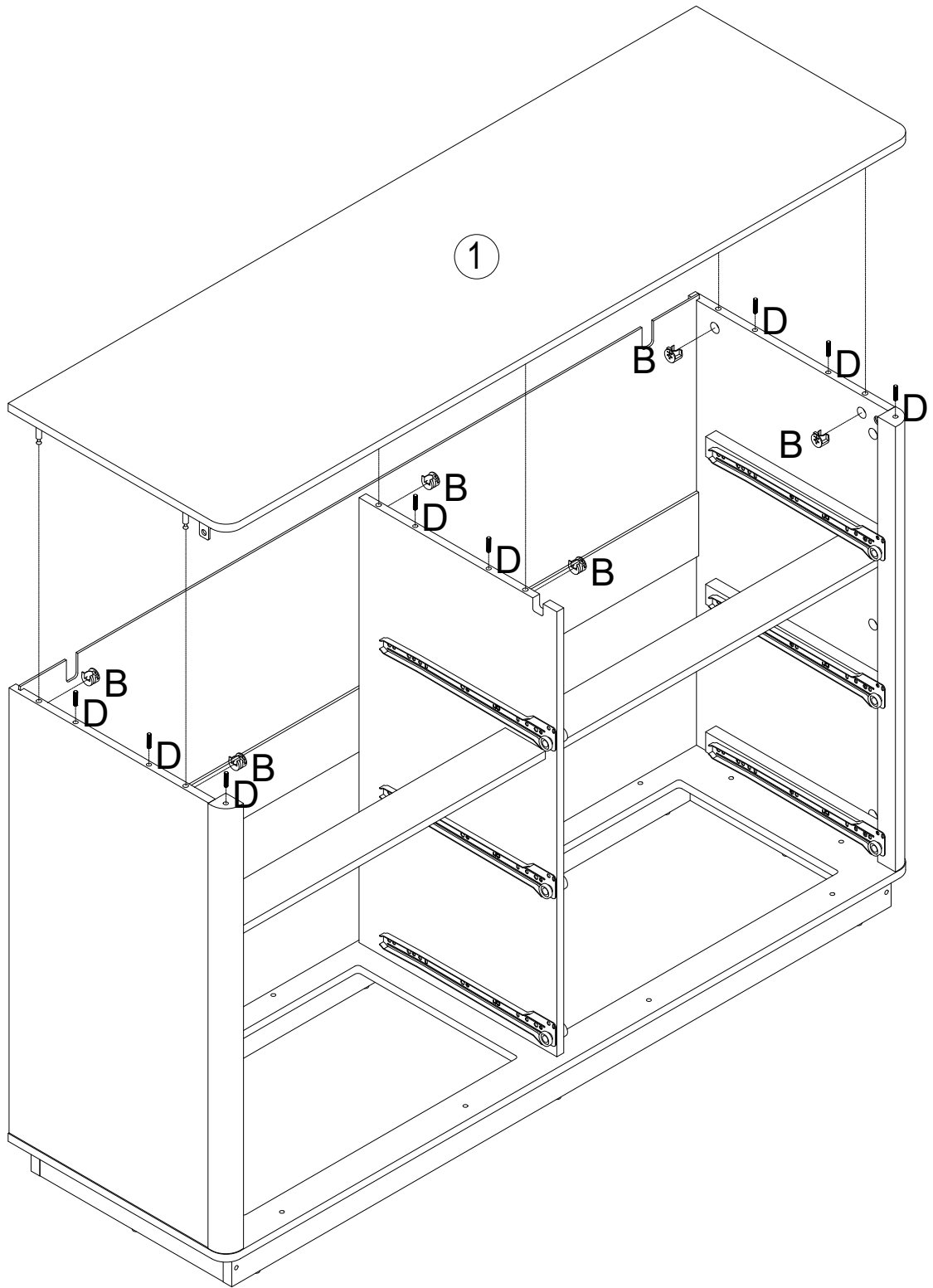


No. P

Quantity: 2 PCS
Screw
ø4x12mm



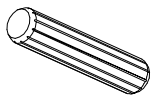
STET 22



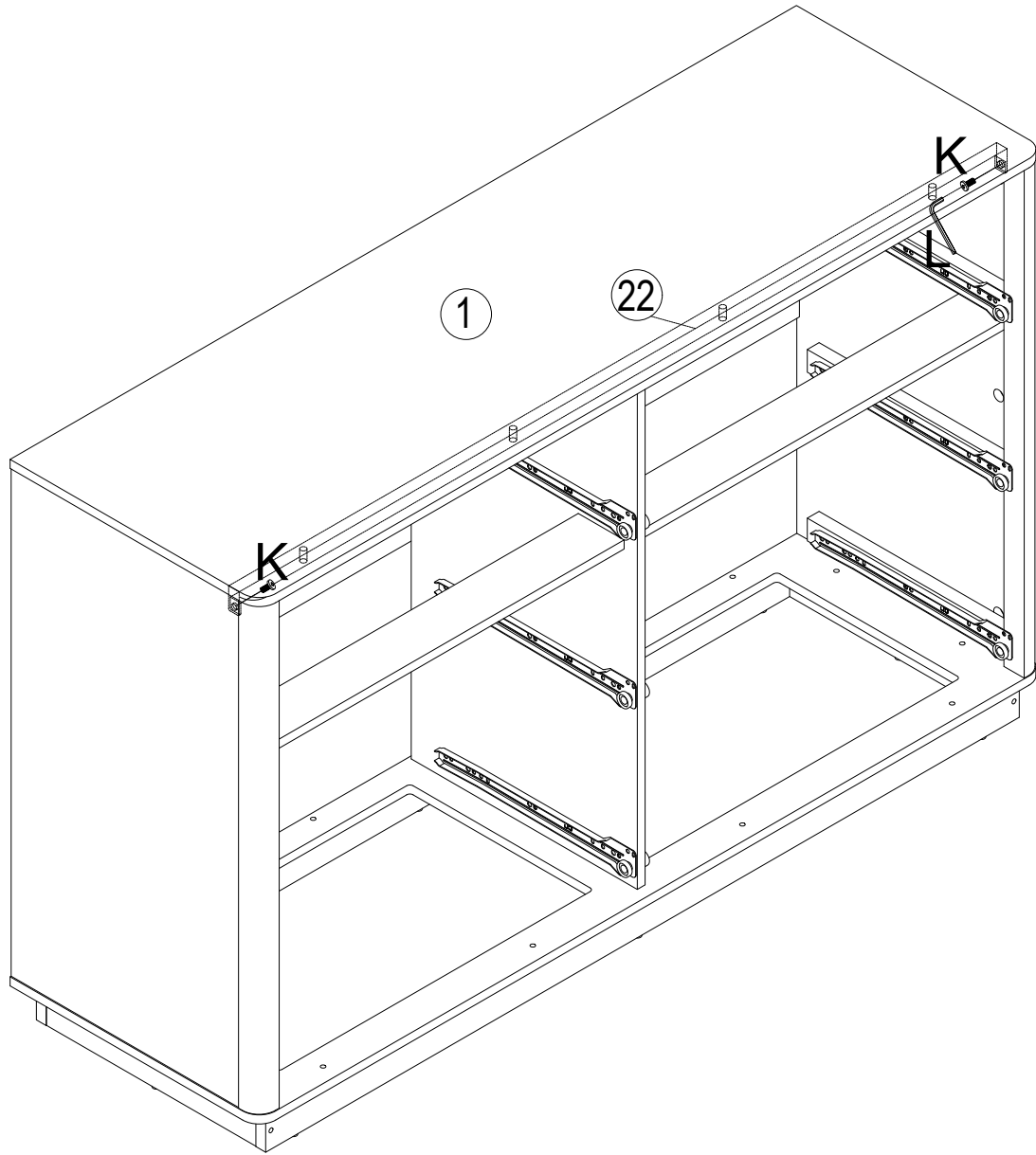
No. B
Quantity: 6 PCS
Cam
ø15x9.5mm



No. D
Quantity: 8 PCS
Dowel
ø6x30mm

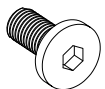


STET 23



NOTE:
Tighten all Bolt (J and K) In the #22

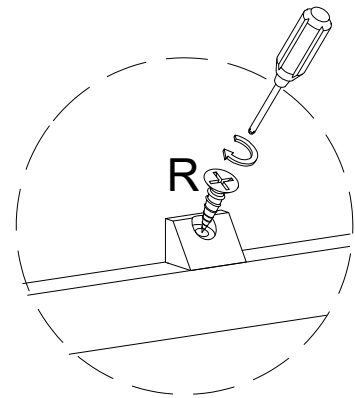
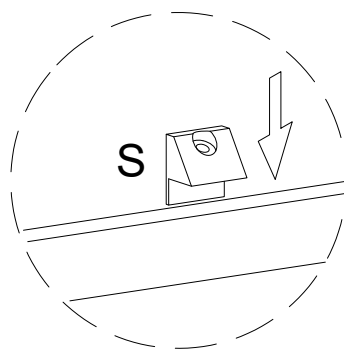
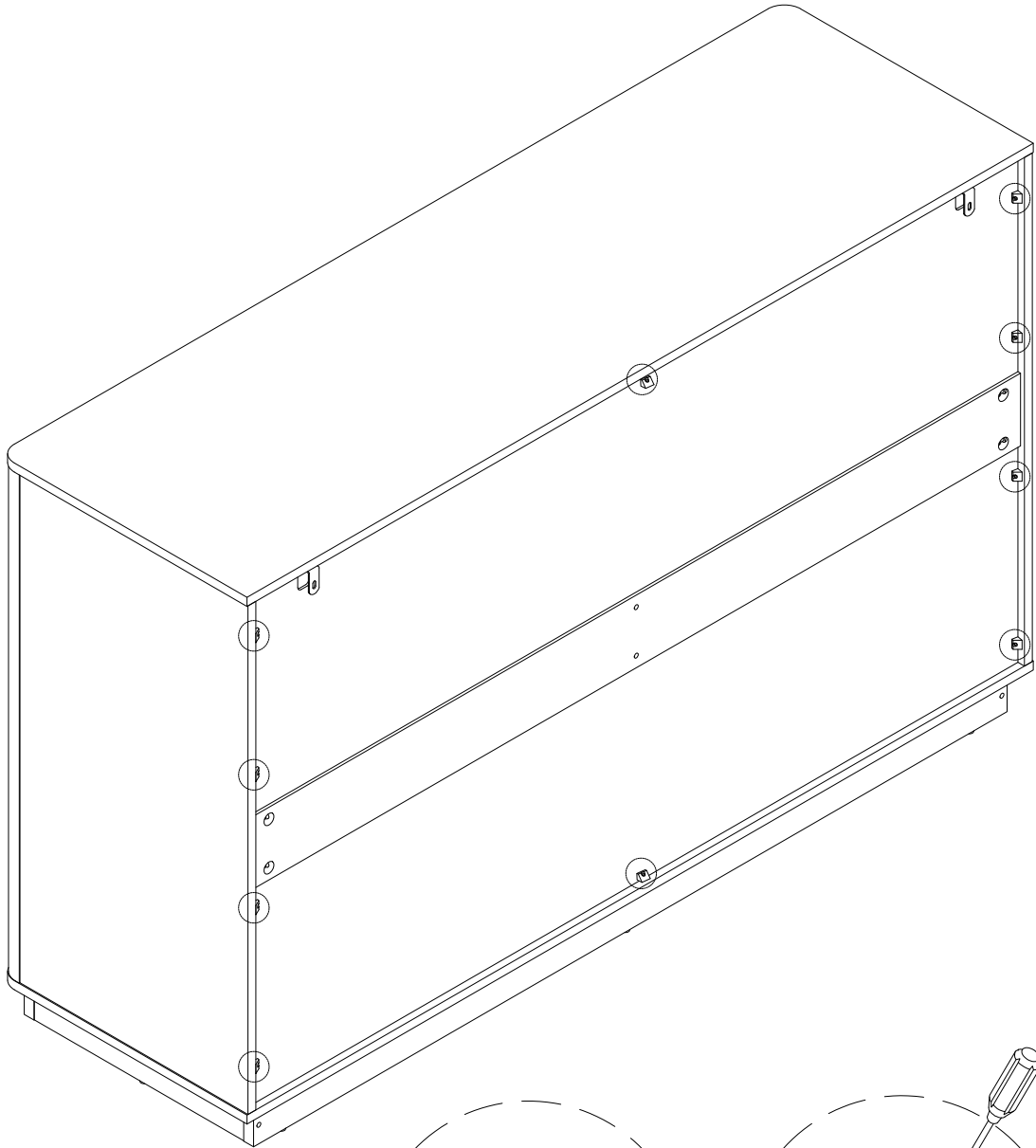
No. K
Quantity: 2 PCS
Bolt
M6x12mm



No. L
Quantity: 1 PCS
Hex Key
4mm

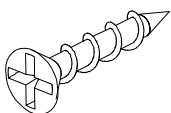


STET 24



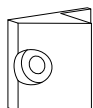
No. R

Quantity: 10 PCS
Screw
ø3x16mm

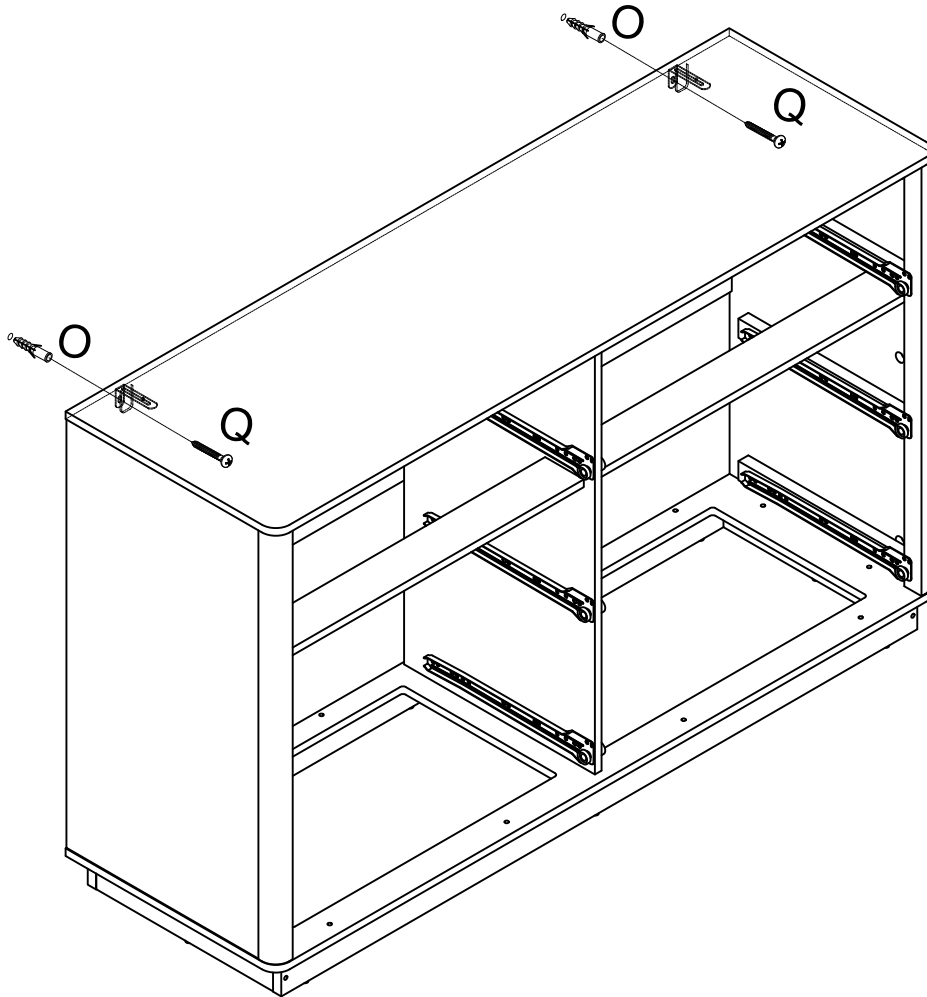
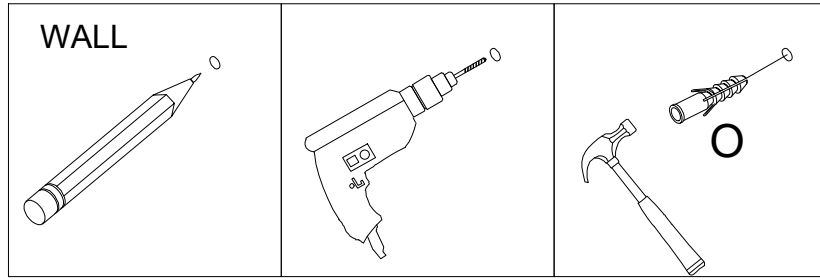


No. S

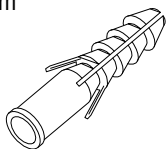
Quantity: 10 PCS
Back Buckle
15x15x10mm



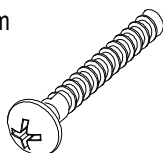
STET 25



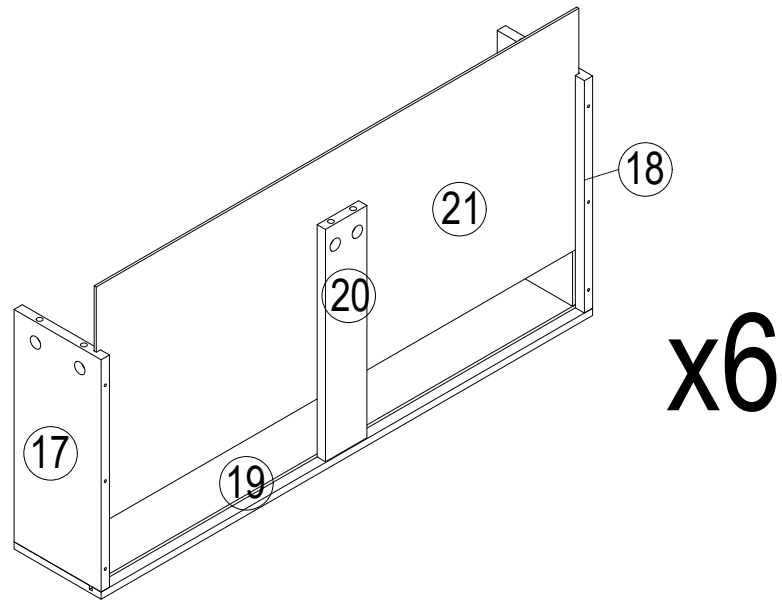
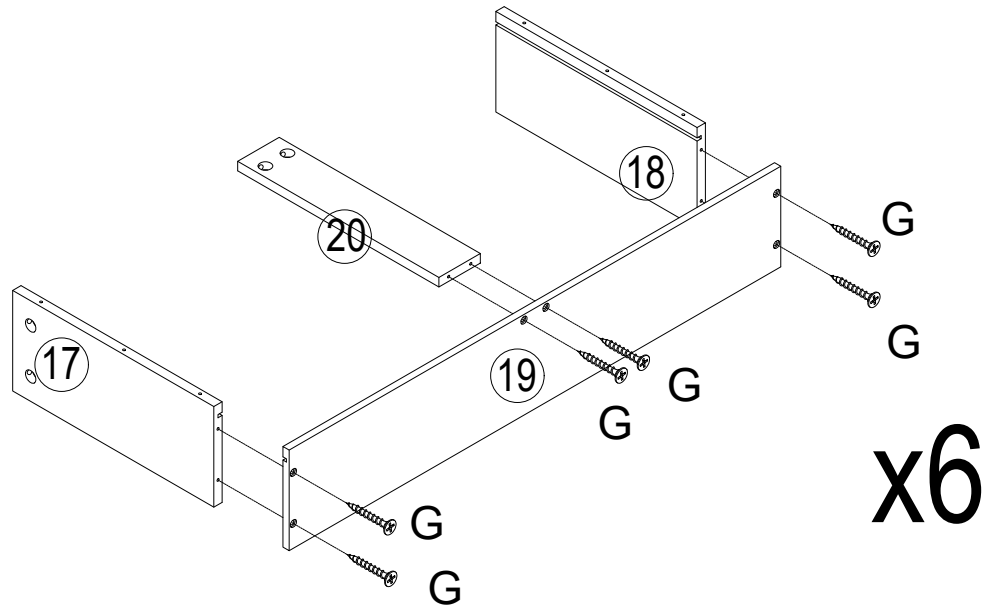
No. O
Quantity: 2 PCS
Plastic Expansion
ø8x40mm



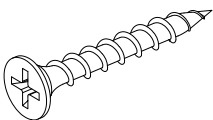
No. Q
Quantity: 2 PCS
Screw
ø4x38mm



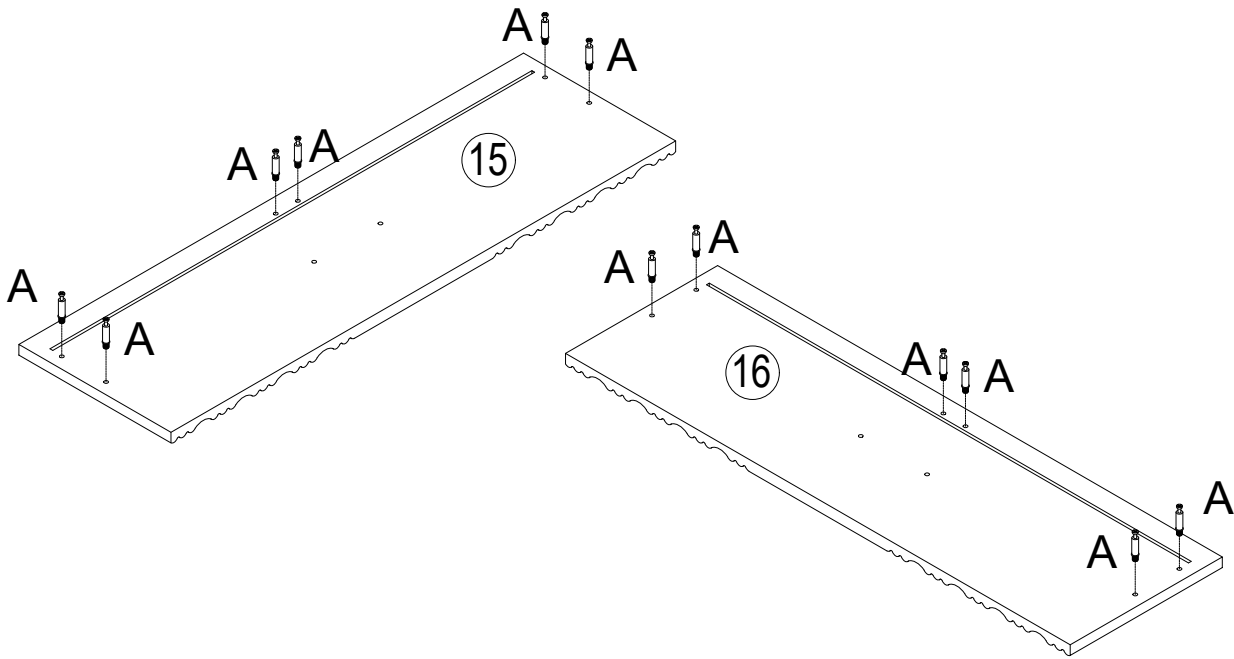
STET 26



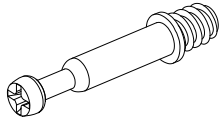
No. G
Quantity: 36 PCS
Screw
ø4x25mm



STET 27

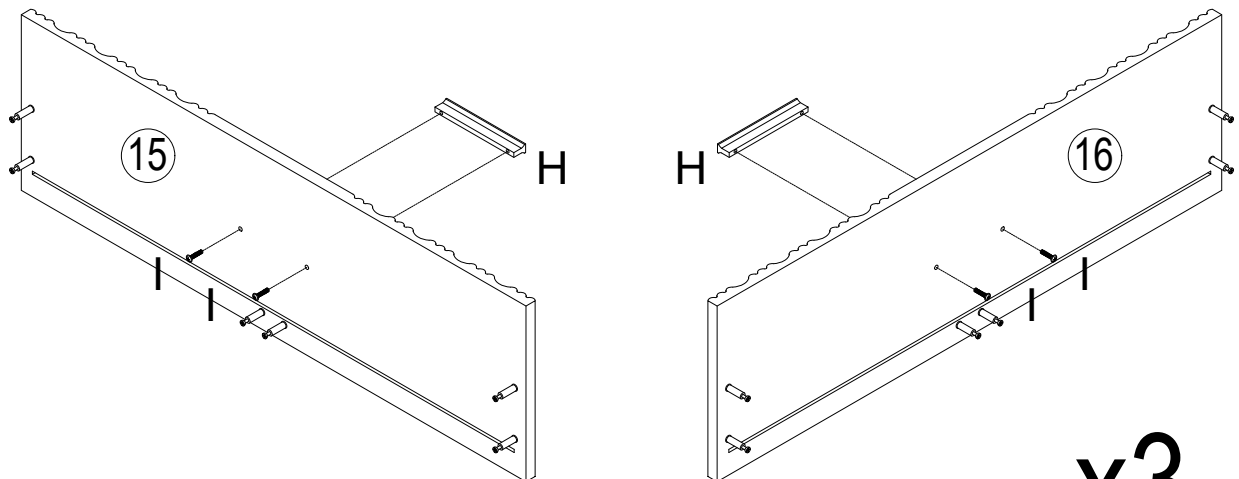


No. A
Quantity: 36 PCS
Cam Bolt
ø6x33.5mm

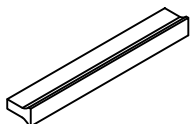


x3

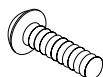
STET 28



No. H
Quantity: 6 PCS
Handle
114x17x11mm

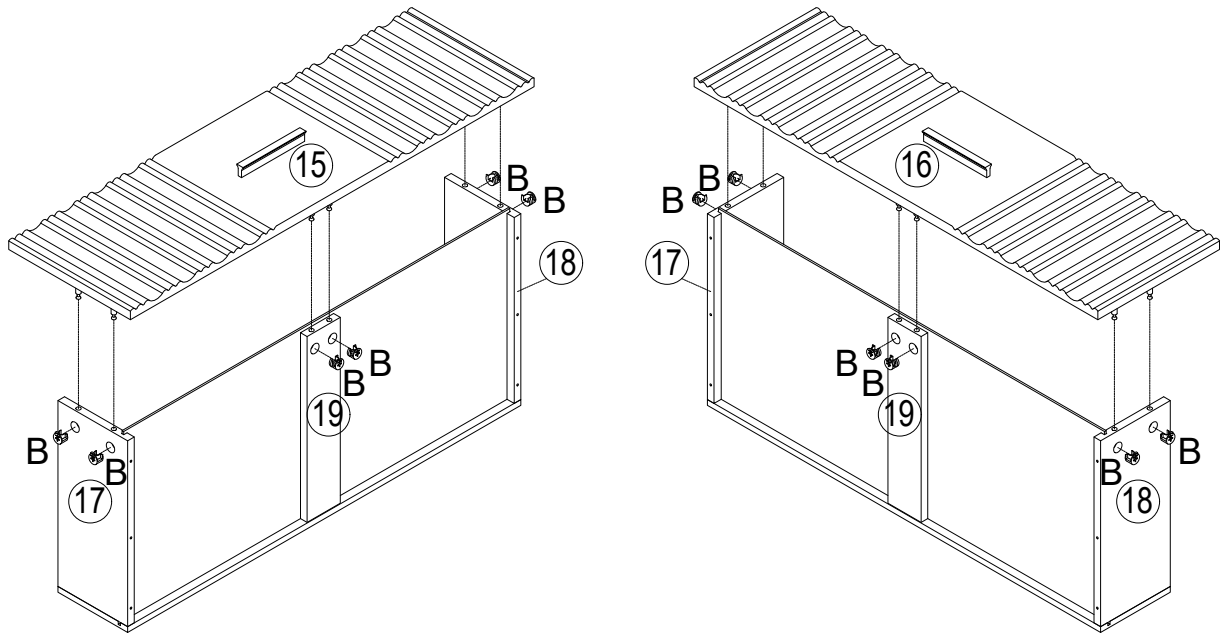


No. I
Quantity: 12 PCS
Screw
M4x20mm

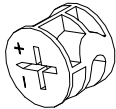


x3

STET 29

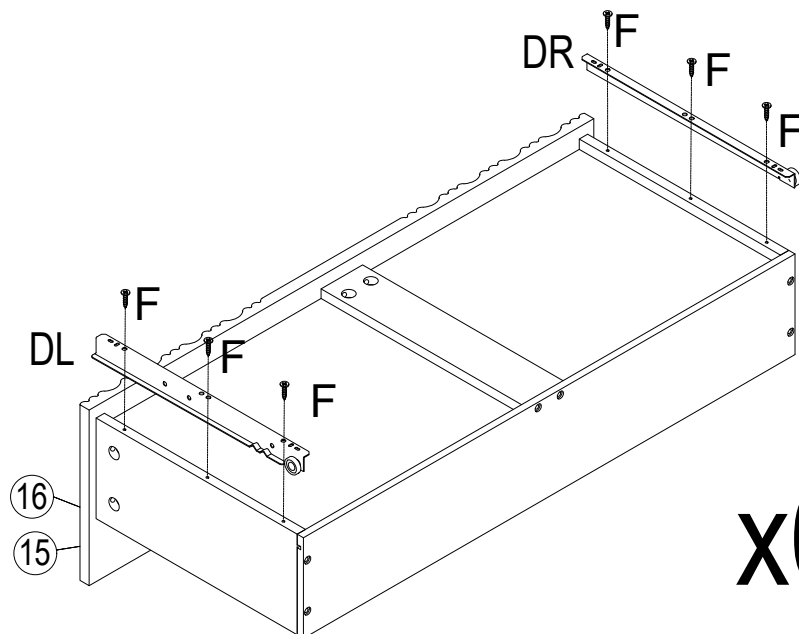


No. B
Quantity: 36 PCS
Cam
ø15x9.5mm

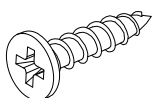


x3

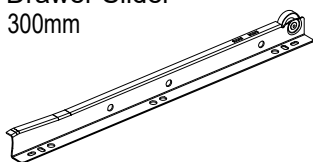
STET 30



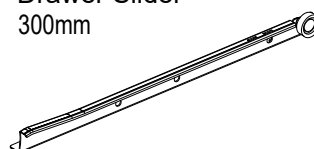
No. F
Quantity: 36 PCS
Screw
ø3.5x12mm



No. DL
Quantity: 6 PCS
Drawer Slider
300mm

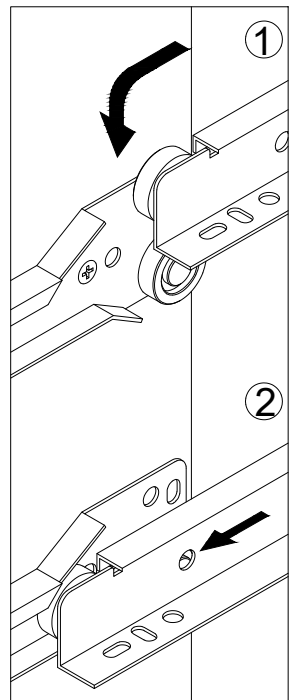
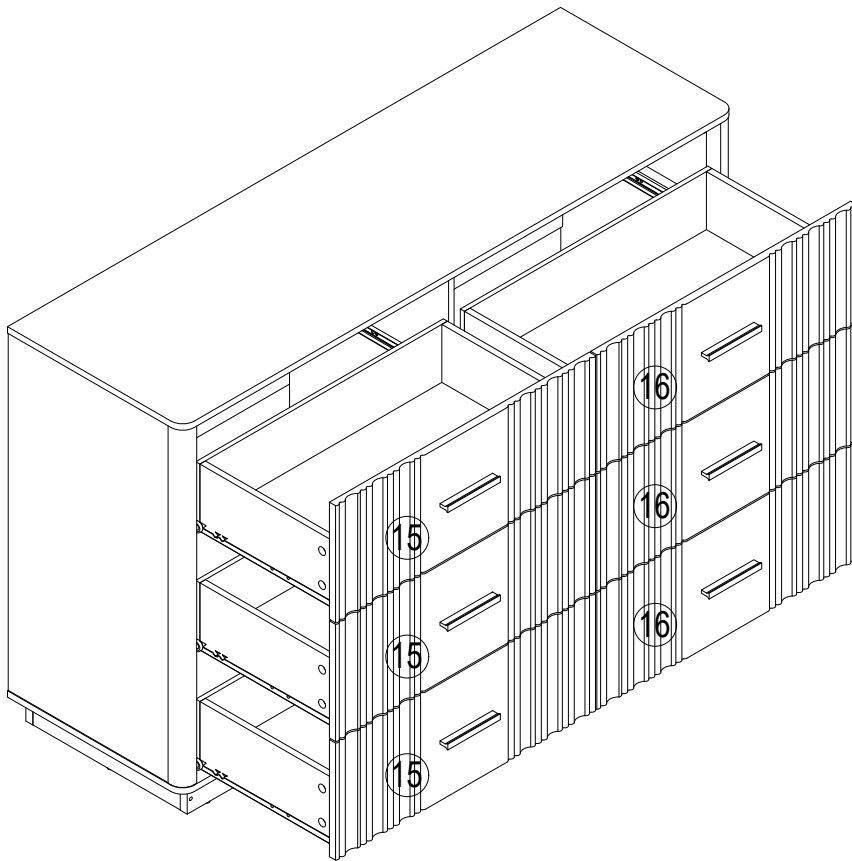
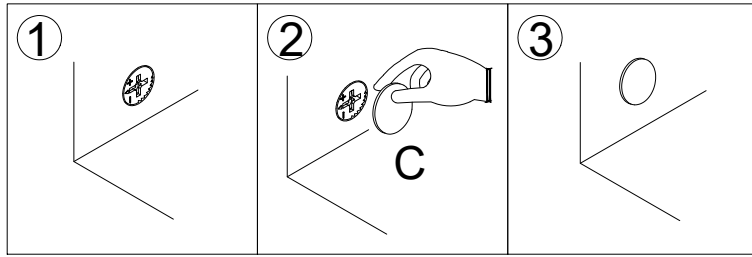


No. DR
Quantity: 6 PCS
Drawer Slider
300mm



x6

STET 31



No. C
Quantity: 60 PCS
Sticker
ø20mm

