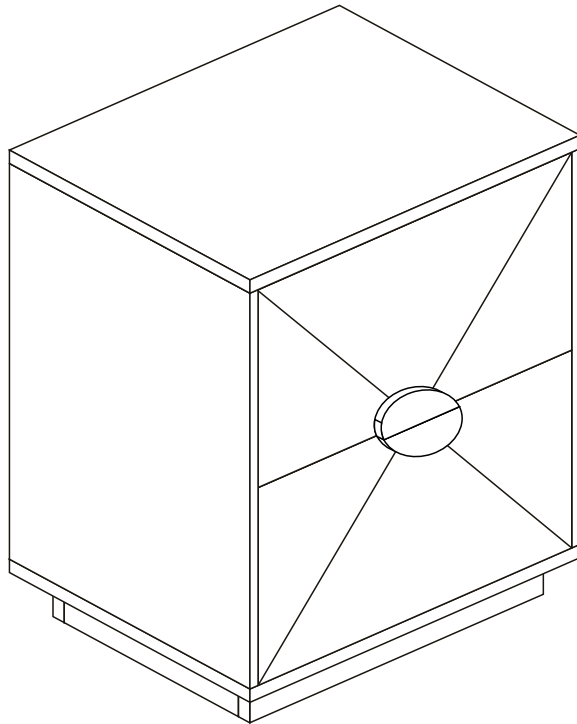


ASSEMBLY INSTRUCTIONS

Modern Side Table



60 min. assembly

2 person

*The estimated assembly time may vary depending on the individual.

Hey, there

Now is assembly time!

Deeeeep breathe.... and again....
Tools ready,
Easy peasy!

Estimated



60 min. assembly
2 person

Tools Required

- Allen Wrench (included)
- Phillips screwdriver (not included)
- Power Drill (not included)

important: Cautious when you use power tools

Thank you for purchasing this product.
This product has been manufactured with the highest standards of safety and quality.

PLEASE READ ALL INSTRUCTIONS CAREFULLY BEFORE ASSEMBLY.

Un pack all parts from the packaging inside the carton to ensure there are no missing or damaged parts. Lay out all the parts on a clean, flat, and soft surface to prevent scratches. Refer to the steps provided as assembling guide.

Do not attempt to assemble or use the product if any parts are missing or damaged.

REMINDERS

SAFE USAGE IS KEY

Your well-being is our top priority when you use our product. Please prioritize your safety by diligently following the assembly guidelines and inspecting the product carefully both when it arrives and before each use.

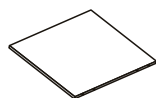
DO NOT MODIFY

Our products undergo rigorous testing to ensure they meet established safety standards before being released for sale. Altering the product in any way can lead to serious safety concerns, for which cannot assume responsibility.

Please save this manual for future reference.

What's in the box

Parts



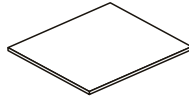
1 X 1

Left side panel



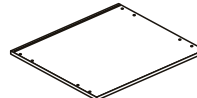
2 X 1

Right side panel



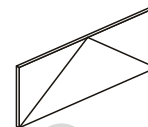
3 X 1

Top panel



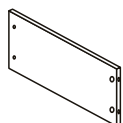
4 X 1

Bottom panel



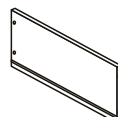
5 X 1

Bottom Drawer front panel



6 X 2

Left drawer side panel



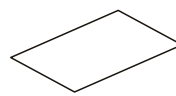
7 X 2

Right drawer side panel



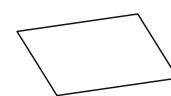
8 X 2

Drawer back panel



9 X 2

Drawer bottom panel



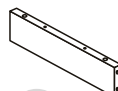
10 X 2

Back panel



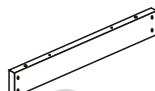
11 X 1

Above drawer front panel



12 X 2

Bottom left and right support bar



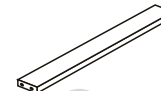
13 X 2

Bottom front and back support bar



14 X 1

Back brace



15 X 1

Drawer support bar

Hardware & Accessory



A X 18+2

M6 x 36mm



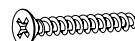
B X 18+2

M15 x 9mm



C X 22+3

M5.8 x 30mm



D X 5

M4 x 35mm



E X 4



F X 4

M3 x 16mm



G X 24+3

M3.5 x 12mm



H X 8

M4 x 30mm



I X 4



J X 4



K X 2



L X 1



M X 8

M4 x 50mm



N X 1

M4 x 14mm



O X 2

φ 12mm



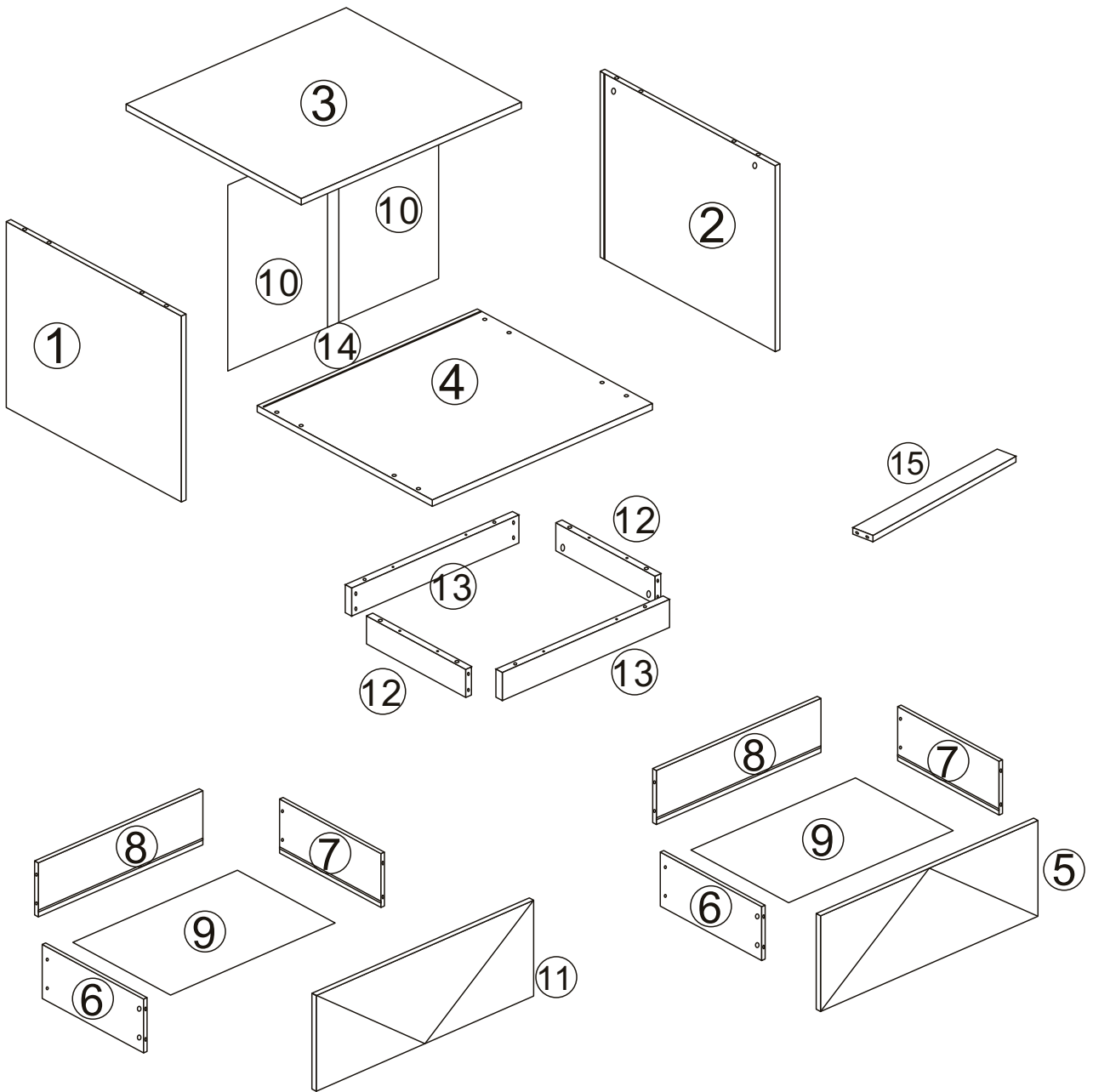
P X 1



Q X 4

M4 x 30mm

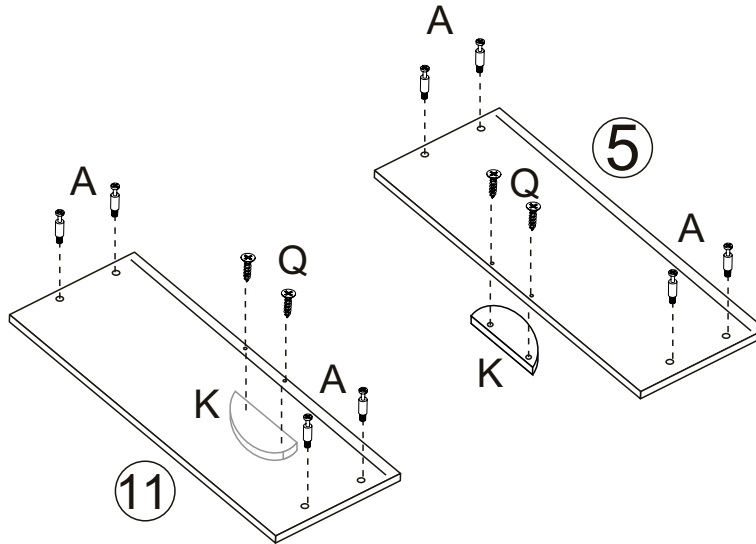
Assembly






Step 1

Insert quickfit screws (A) into parts 5 and 11, as shown.

Fix handles (K) to parts 5 and 11 using screws (Q), as shown.




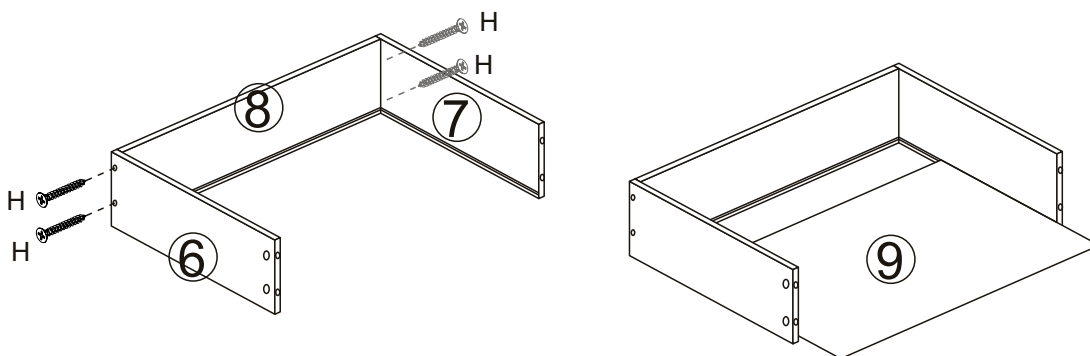
Ax8
 M6 x 36mm
Kx2

Qx4
 M4 x 30mm

Step 2

Fix parts 6 and 7 to part 8 using screws (H), as shown.

Slide part 9 into grooves between parts 6, 8 and 7, as shown.

Hx8
 M4 x 30mm



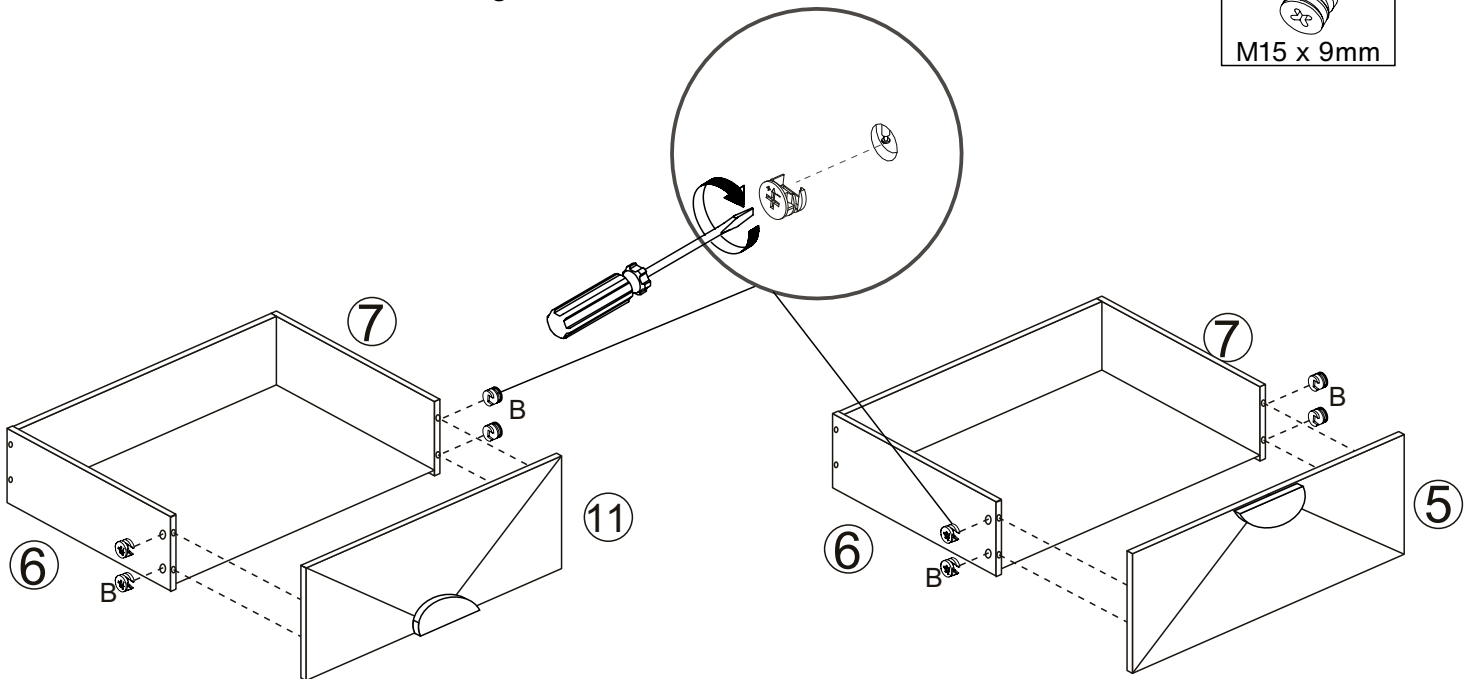
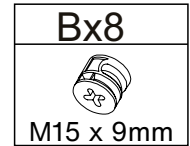
x2

Step 3

Insert cam locks (B) into parts 6 and 7, as shown.

Fit parts 11 and 5 to parts 6 and 7, as shown.

Turn cam locks clockwise to tighten.



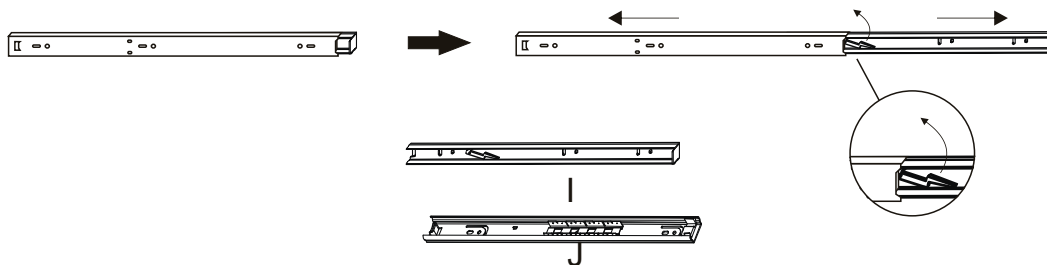
Step 4

Pull inner and outer drawer runners apart before fixing them to panels.

Slide drawer runners apart until the drawer lock can be seen, as shown.

Press and hold the drawer runner lock upwards and then continue to slide drawer runners apart, as shown.

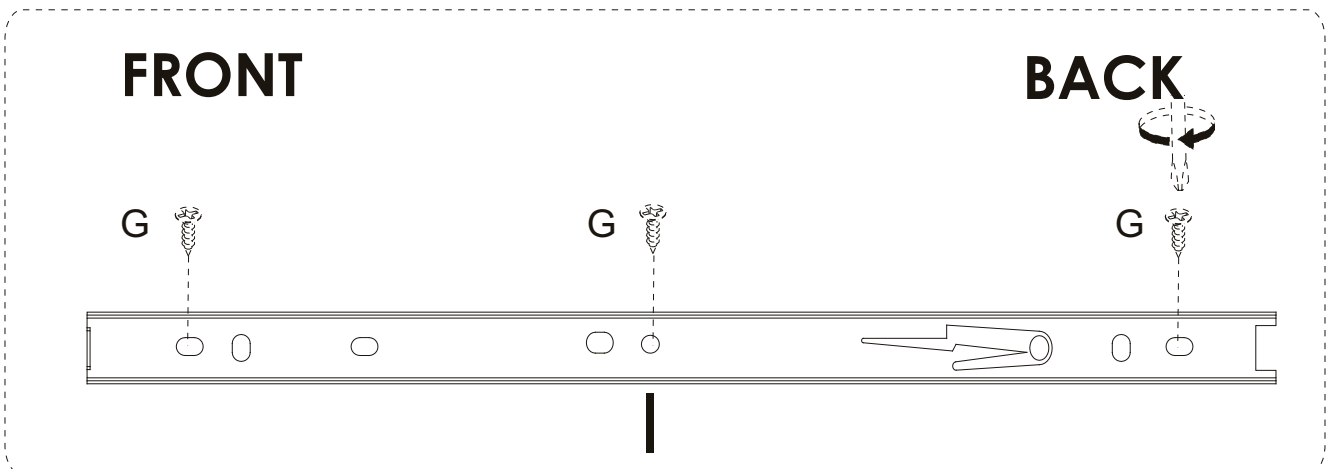
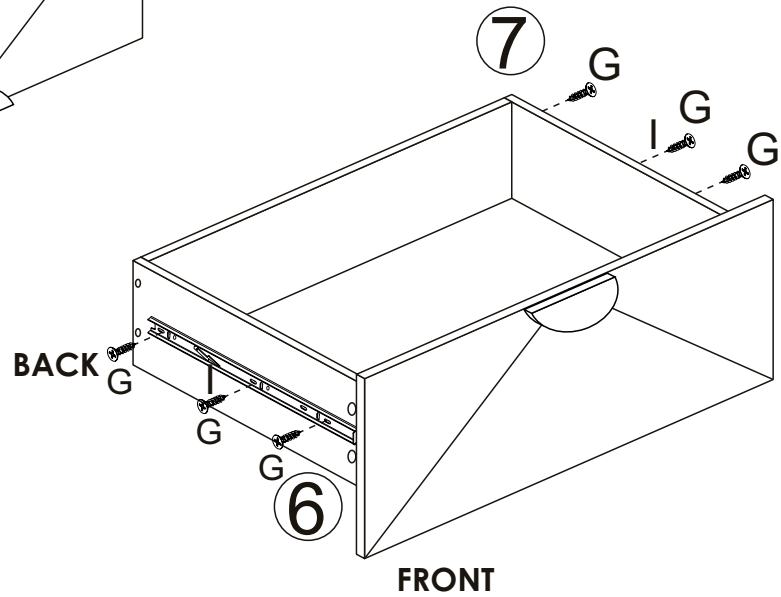
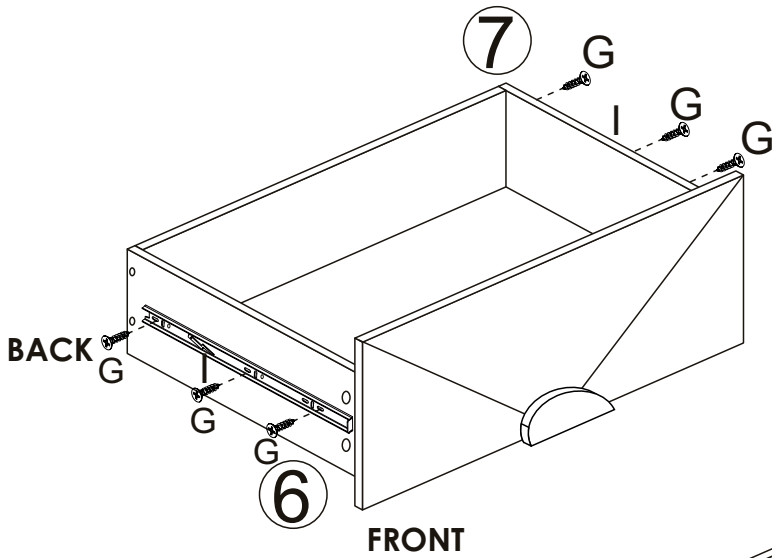
Your inner and outer drawer runners are ready to be fixed to panels.



Step 5

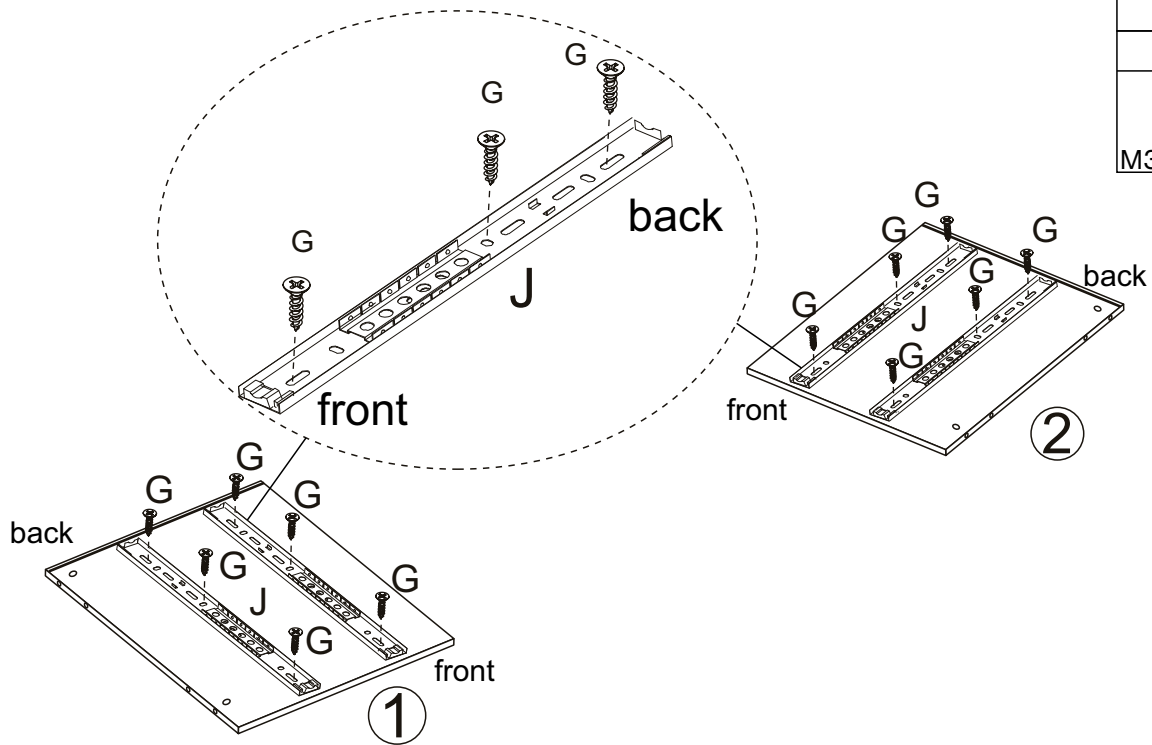
Fix inner drawer runners (I) to parts 6 and 7 using screws (G), as shown.

Ix4	Gx12
	M3.5 x 12mm



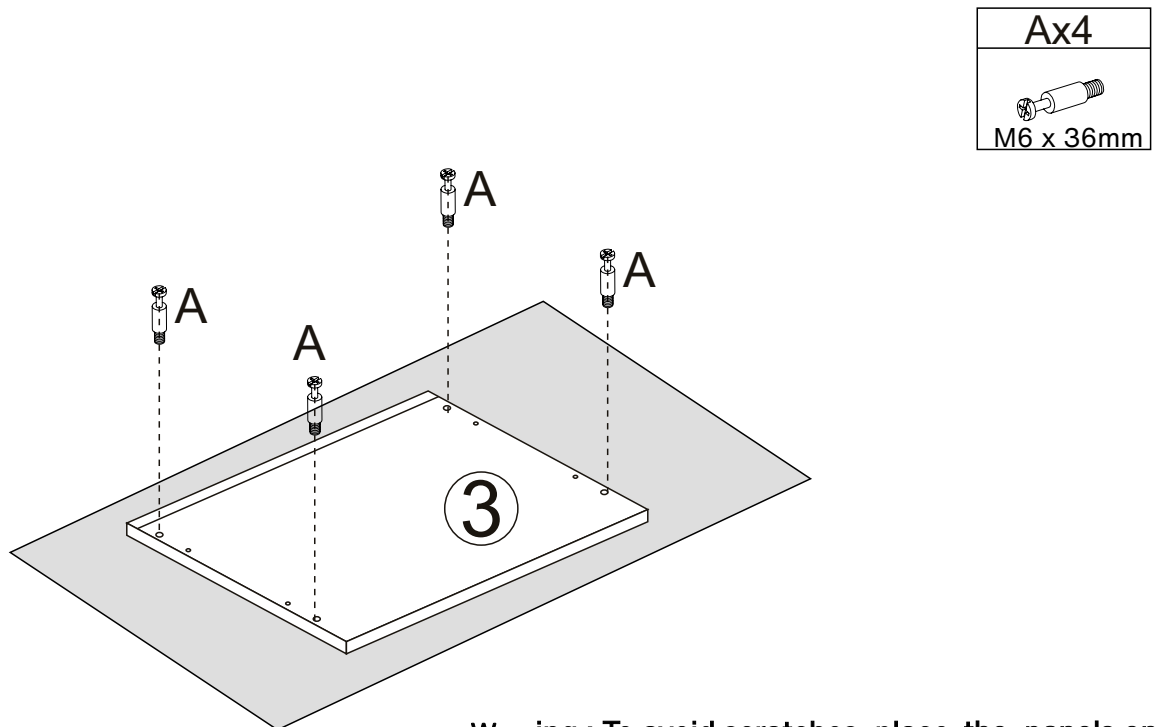
Step 6

Fix outer drawer runners (J) to parts 1 and 2 using screws (G), as shown.



Step 7



Insert quickfit screws (A) into part 3, as shown.

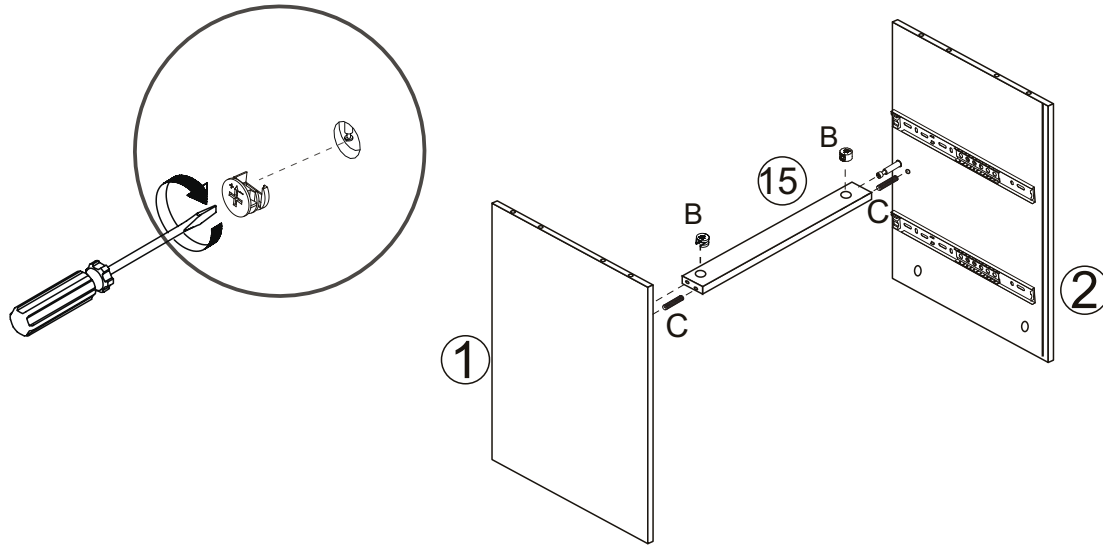


Warning : To avoid scratches, place the panels on a clean and soft surface.

Step 8



Insert cam locks (B) and wooden dowels (C) into 15, as shown.
Fit part 15 to parts 1 and 2.
Turn cam locks clockwise to tighten.

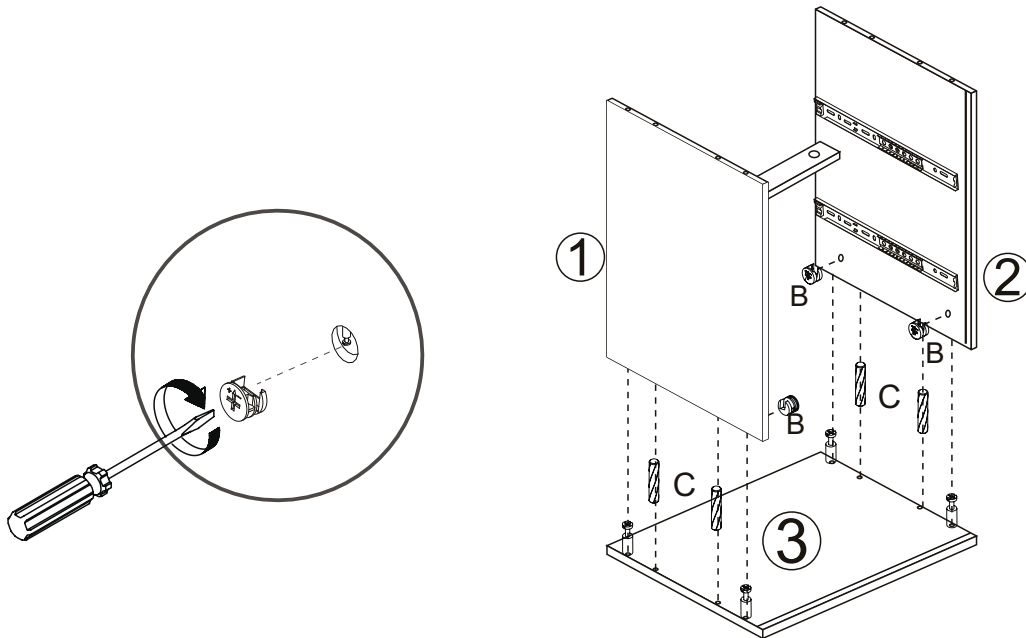
Bx2
 M15 x 9mm
Cx2
 M5.8 x 30mm



Step 9

Insert cam locks (B) and wooden dowels (C) into parts 1 and 2, as shown.
Fit part 3 to parts 1 and 2.
Turn cam locks clockwise to tighten.

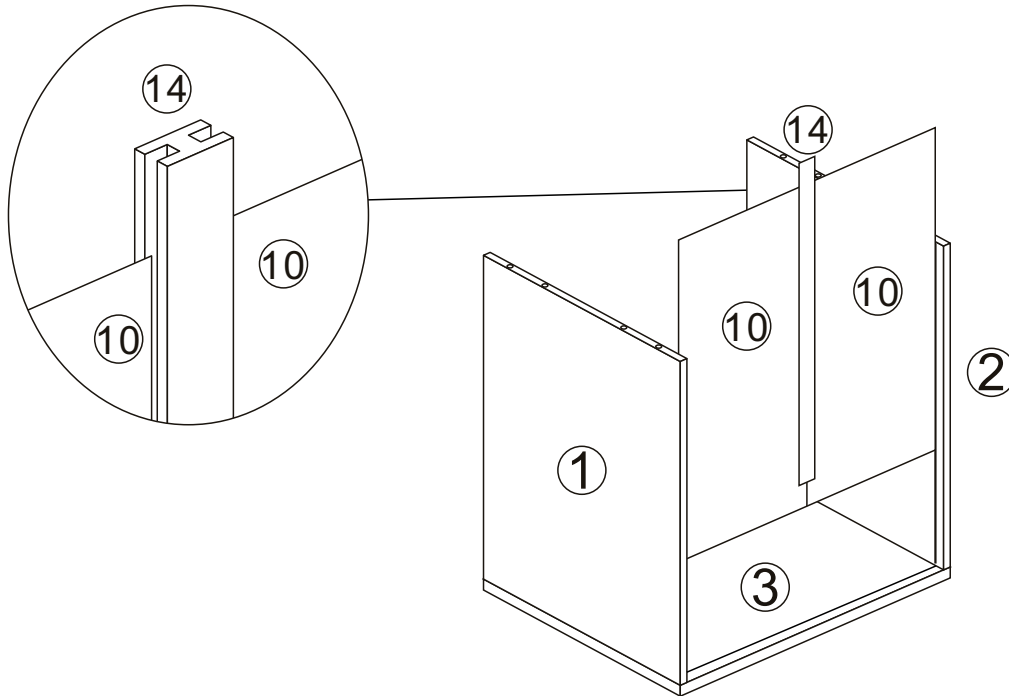
Bx4
 M15 x 9mm
Cx4
 M5.8 x 30mm



Step 10

Insert parts 10 into grooves of part 14, as shown.

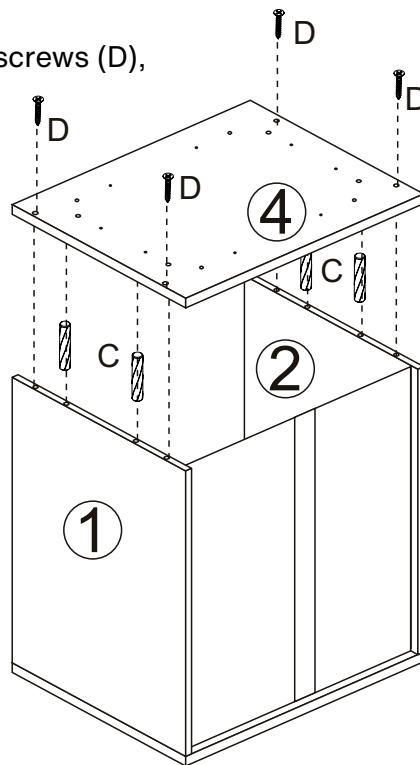
Insert parts 10 into grooves between parts 1, 3 and 2, as shown.

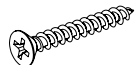



Step 11

Insert wooden dowels (C) into parts 1 and 2, as shown.

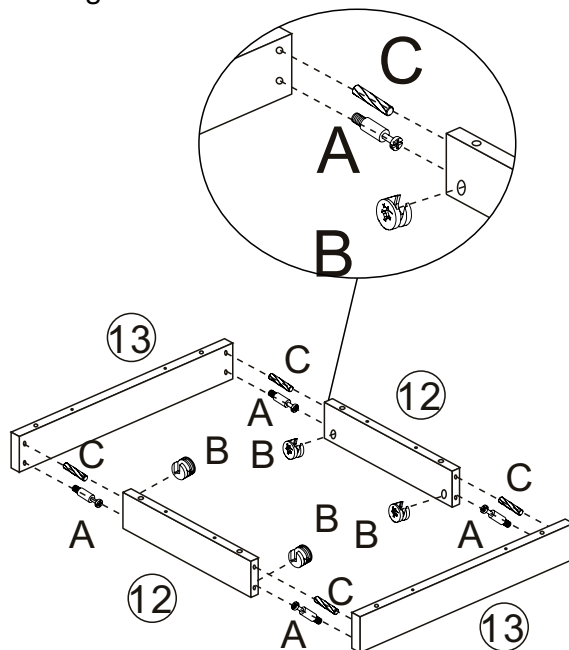
Fix part 4 to parts 1 and 2 with screws (D), as shown.

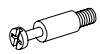




Dx4
 M4 x 35mm
Cx4
 M5.8 x 30mm

Step 12

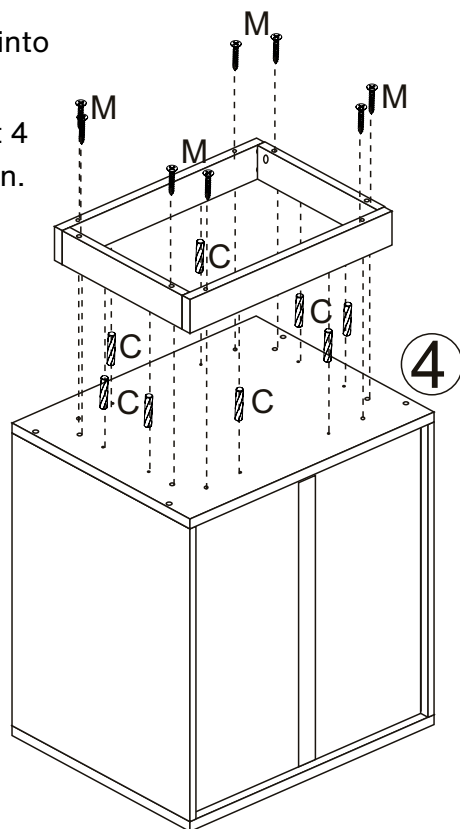
Insert quickfit screws (A) and wooden dowels (C) into parts 13, as shown.
 Insert cam locks (B) into parts 12, as shown.
 Fit parts 12 to parts 13.
 Turn cam locks clockwise to tighten.


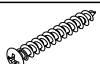


Ax4
 M6 x 36mm
Bx4
 M15 x 9mm
Cx4
 M5.8 x 30mm

Step 13

Insert wooden dowels (C) into parts 4, as shown.
 Fix assembled legs to part 4 using screws (M), as shown.



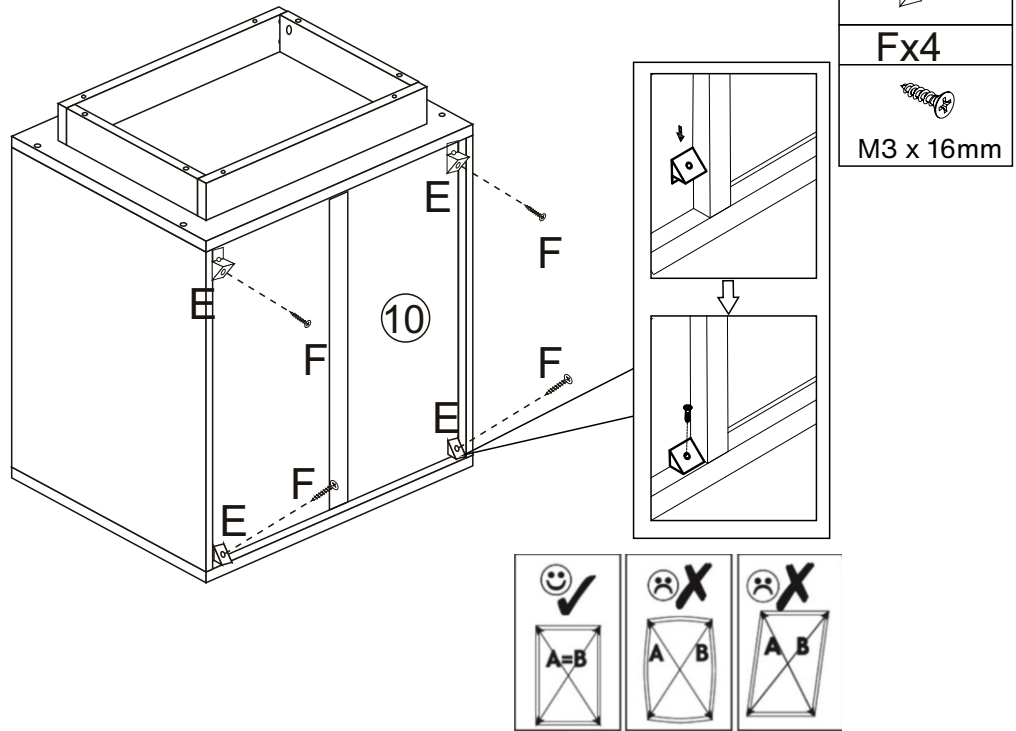
Cx8
 M5.8 x 30mm
Mx8
 M4 x 50mm

Step 14

Secure backing panel 10 by fixing wedges (E) using screws (F), as shown.

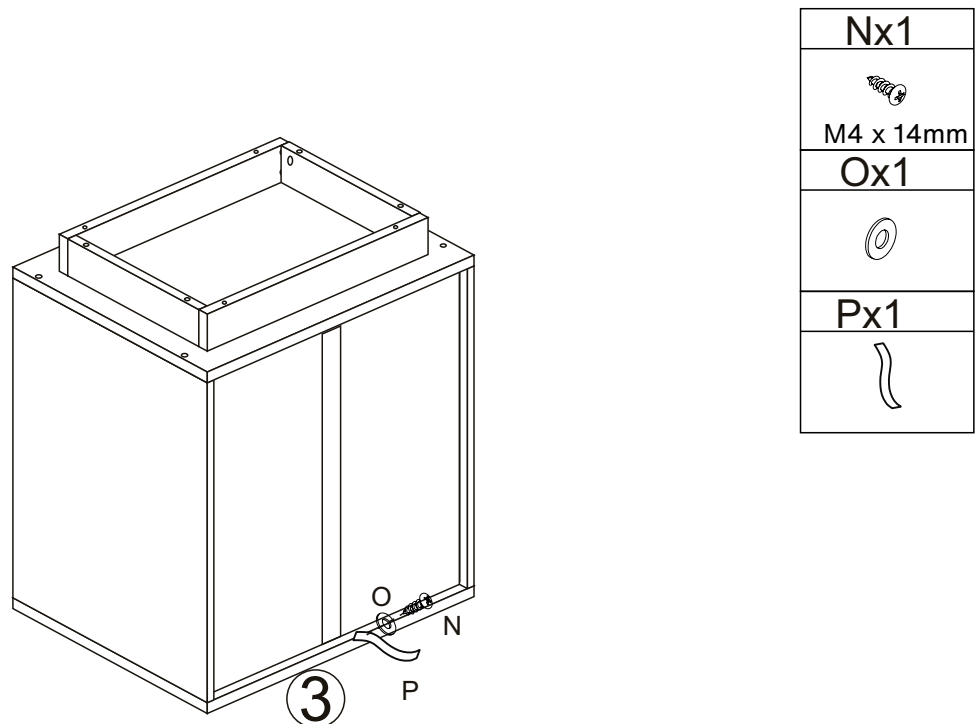
ATTENTION PLEASE

Please ensure the structure is straight and level and all panels are at right angles before installing hardware (E). **MUST** install hardware (E) to strengthen product stability.



Step 15

Fix wall strap (P) to part 3 using washer (O) and screw (N), as shown.






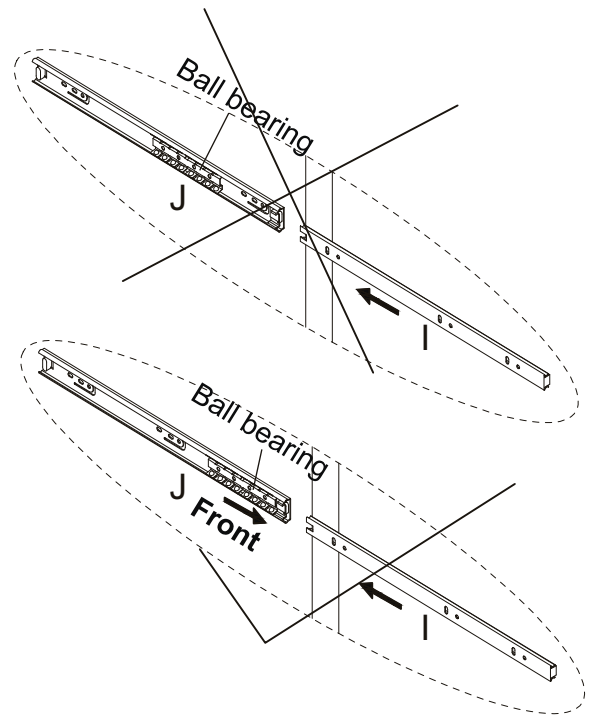
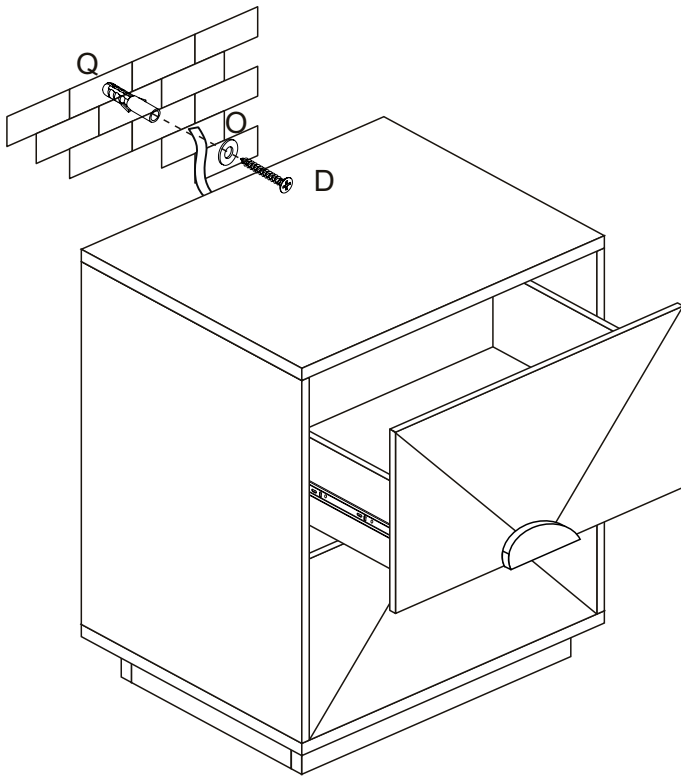
Step 16

For extra stability, it is recommended that you fix your side table to the wall using hardware (D, L and O), as shown.

Screw (D) is fixed through washer (O) and wall strap and into the wall plug (L).

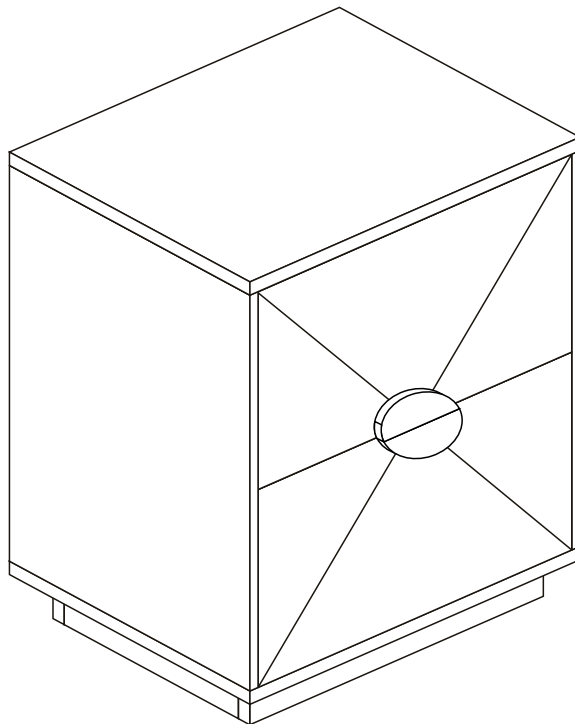
Should you choose not to affix the product to the wall, serious injury may be caused if the product tips over.

Dx1
 M4 x 35mm
Lx1

Ox1
 φ 12mm



FINISH!

Now enjoy.



Warning

DO NOT sit or stand on the End table as this may damage the product and cause serious bodily injury.

Something not right?

We are always here to help.

We make mistakes like every human does.

Though we always strive to provide the best possible products at competitive prices and the best service in the industry, it's not possible to completely eliminate mistakes. If you experience any dissatisfaction, feel free to contact us immediately. Our in-house customer care team will respond ASAP.

Things to do to expedite the process

- Have your order# ready
- Take photos/videos to help us better identify the issues
- DO NOT throw away the packaging

Happy with our product?

Leave us a review

It really help us as a small business

- Find the product you purchased on our website (tip: search by SKU) and leave us a review.
- Alternatively, you can always return to the marketplace where you purchased it and leave a review there.

**Please save this manual
for future reference.**