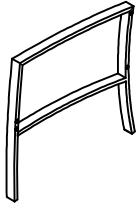
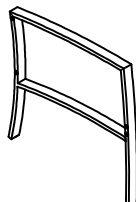
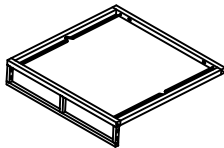
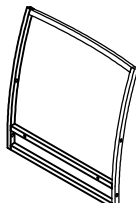
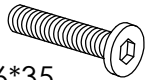


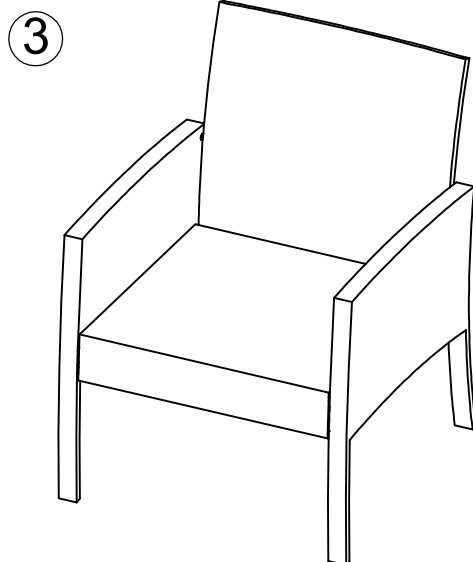
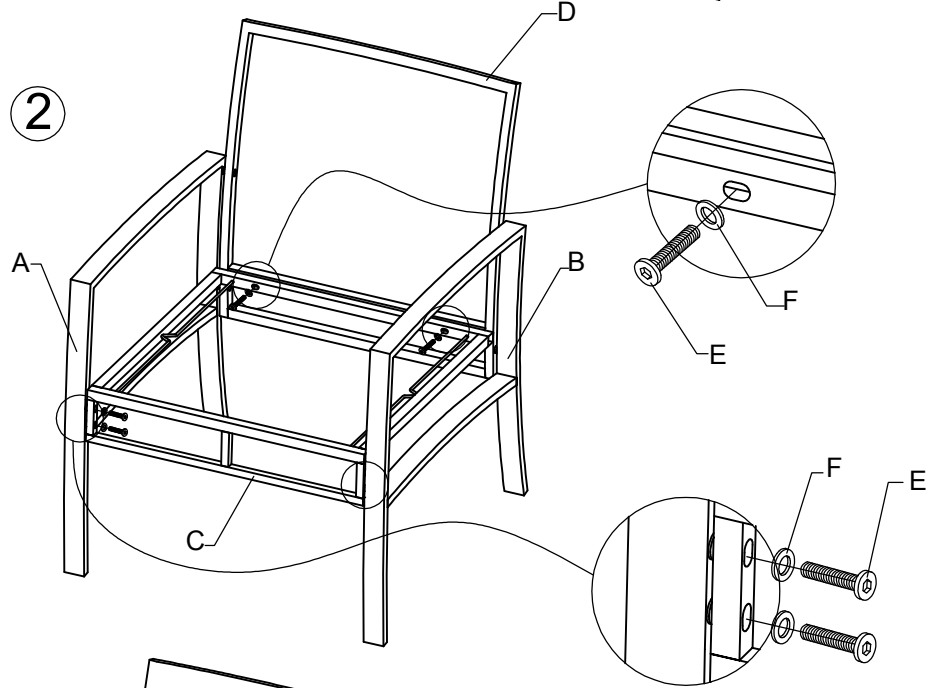
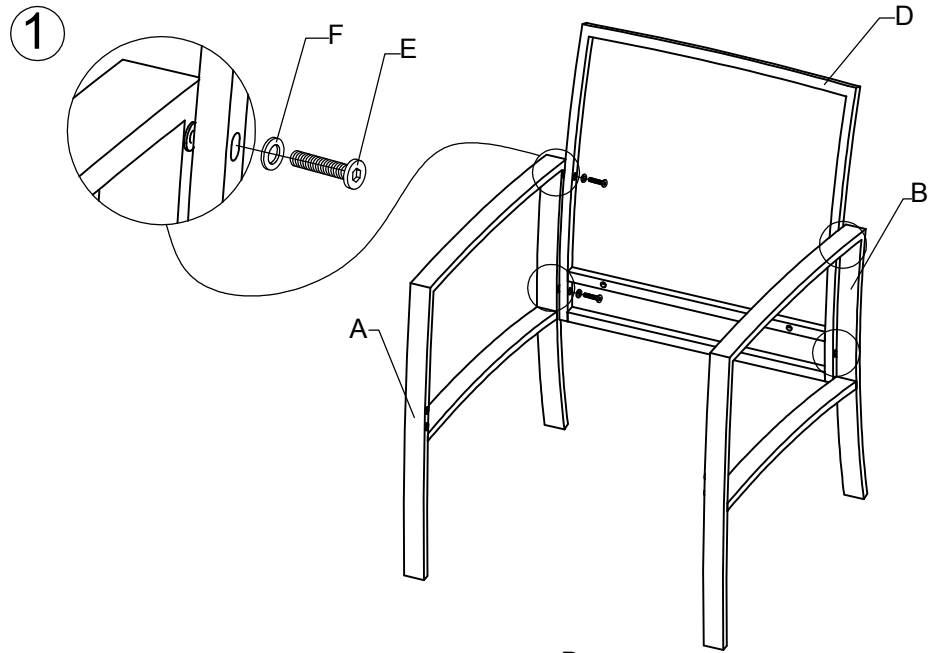


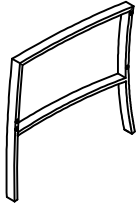
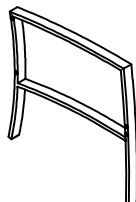
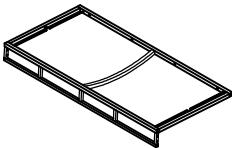
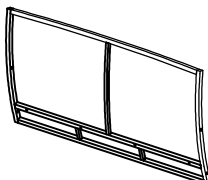
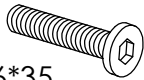


# HW54519

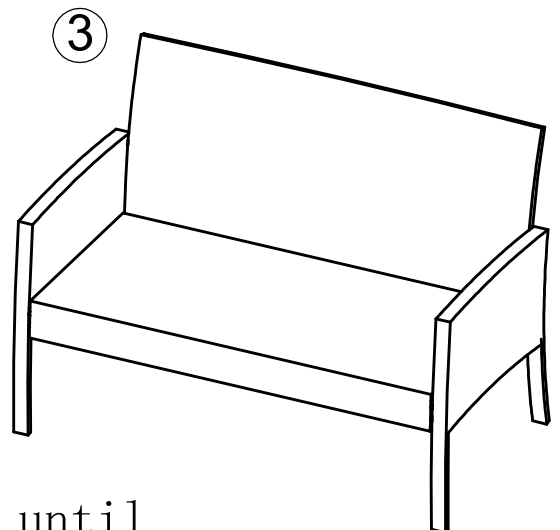
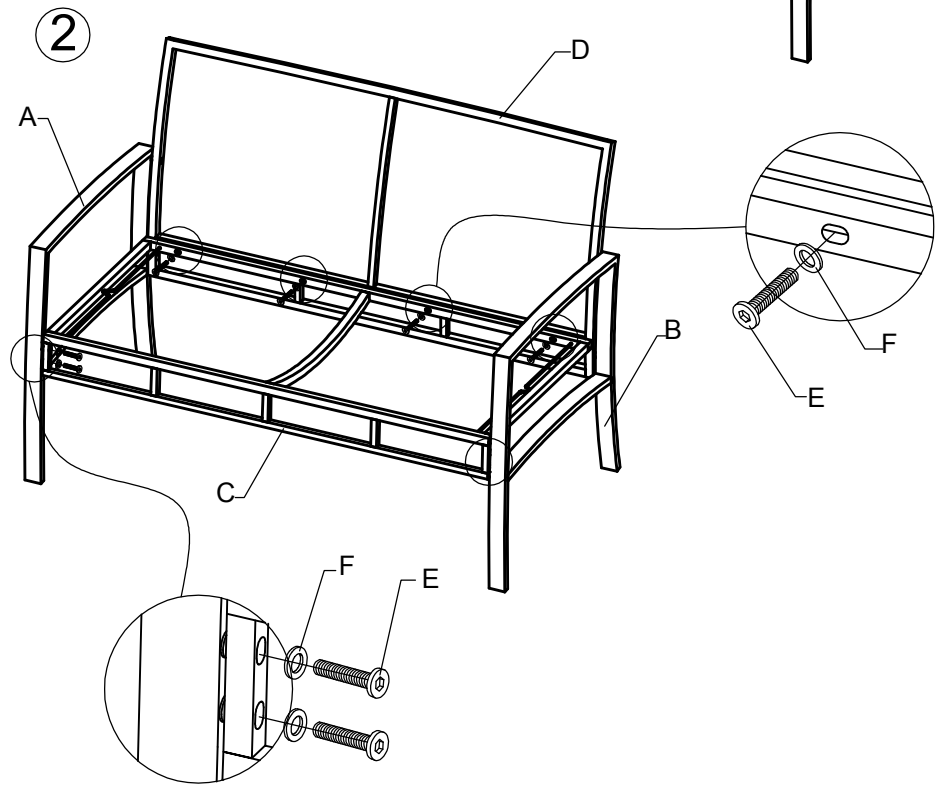
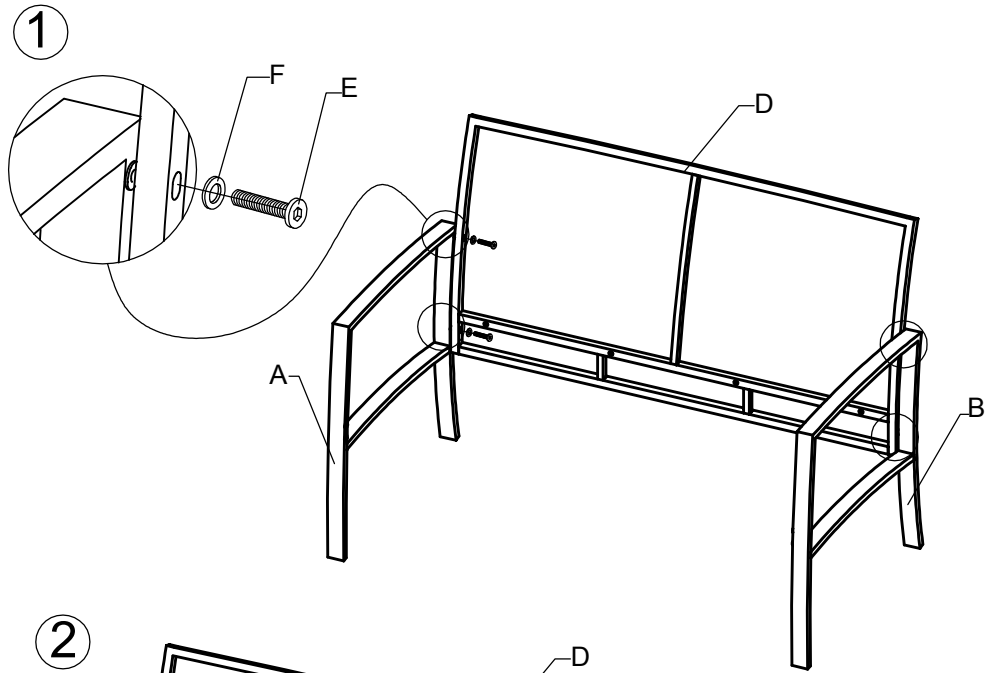
A		1PC
B		1PC
C		1PC
D		1PC
E	 M6*35	10PCS
F		10PCS
G		1PC



DO NOT fully tighten all screws until assembly is completed

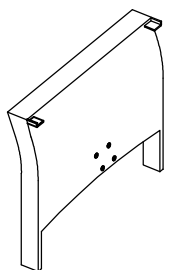
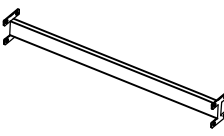
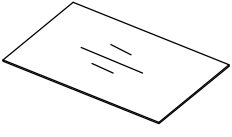
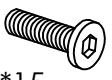


# HW54519

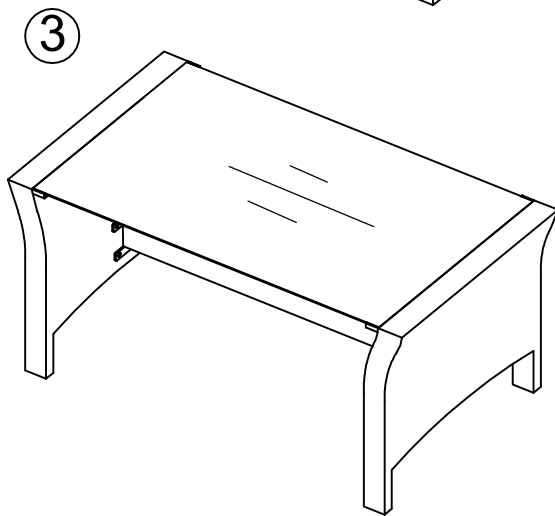
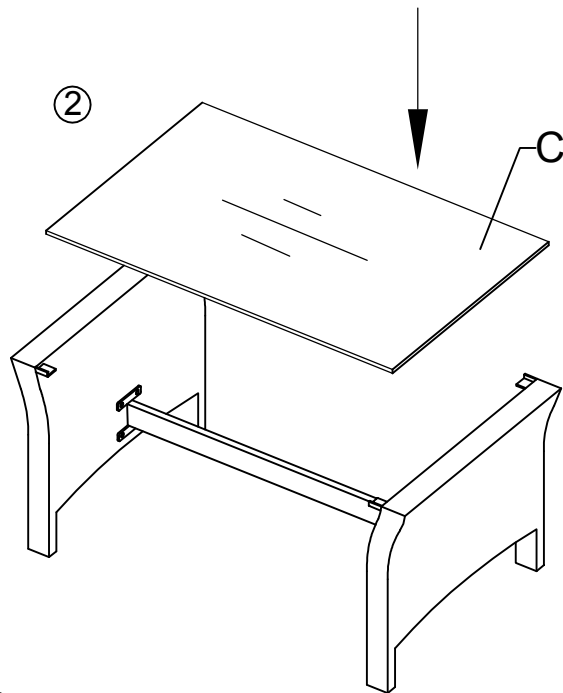
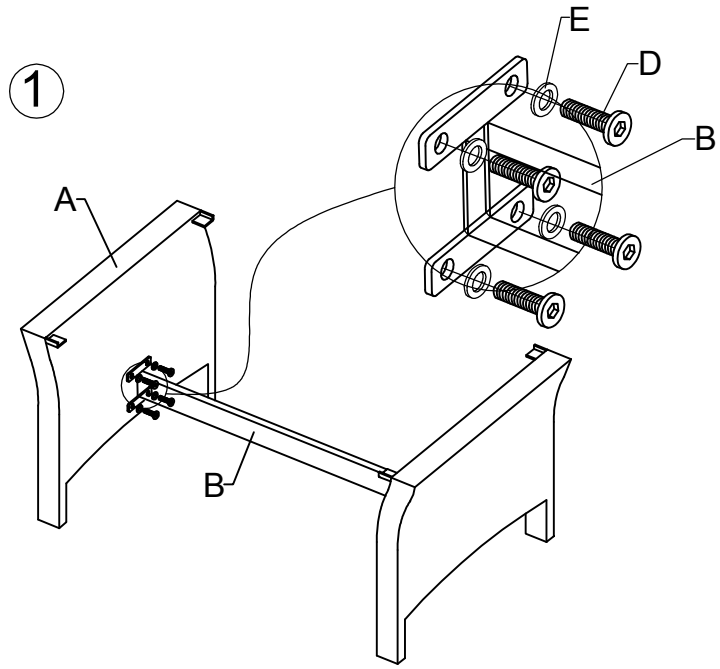
A		1PC
B		1PC
C		1PC
D		1PC
E	 M6*35	12PCS
F		12PCS
G		1PC



DO NOT fully tighten all screws until assembly is completed

# HW54519

A		2PCS
B		1PC
C		1PC
D	 M6*15	8PCS
E		8PCS
F		1PC



DO NOT fully tighten all screws until assembly is completed