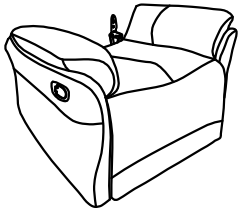
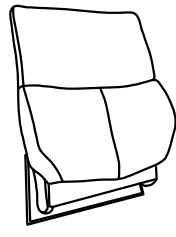


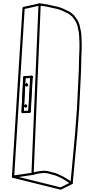


Assembly Instructions

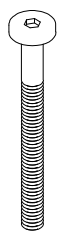
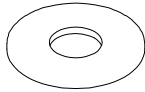
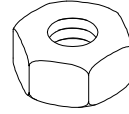
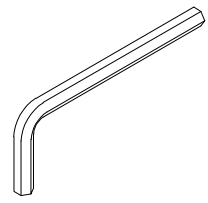
Your recliner comes packaged in one box. Carefully remove all of components from the packaging and set aside for assembly.

CAUTION:
DO NOT use any sharp objects to open plastic wrapped components as damage to product or components may result.

Package Contents

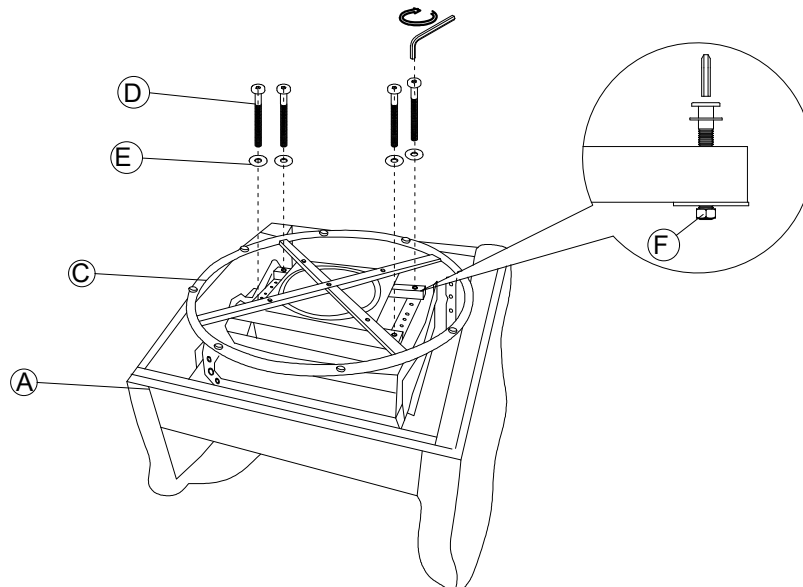
1PC 	1PC 	1PC 	1PC 	1PC 
A . Seat Body	B . Backrest	C. Metal Wheel	D. Left Ear	E. Right Ear

Hardware

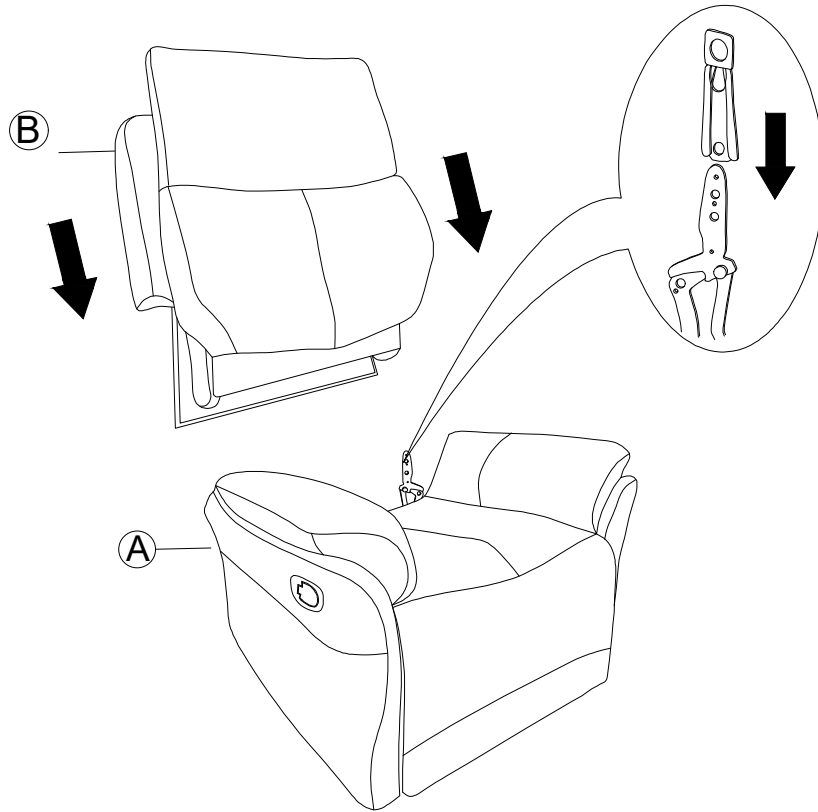
4PCS 	4PCS 	4PCS 	1PC 
D. Bolt	E. Flat Washer	F. Lock Nut	G. Allen Wrench

Step 1: Locate Red Hardware Pack attached on the bottom of the Seat Body (A), carefully separate the Metal Wheel (C) from the bottom of the Seat Body (A).

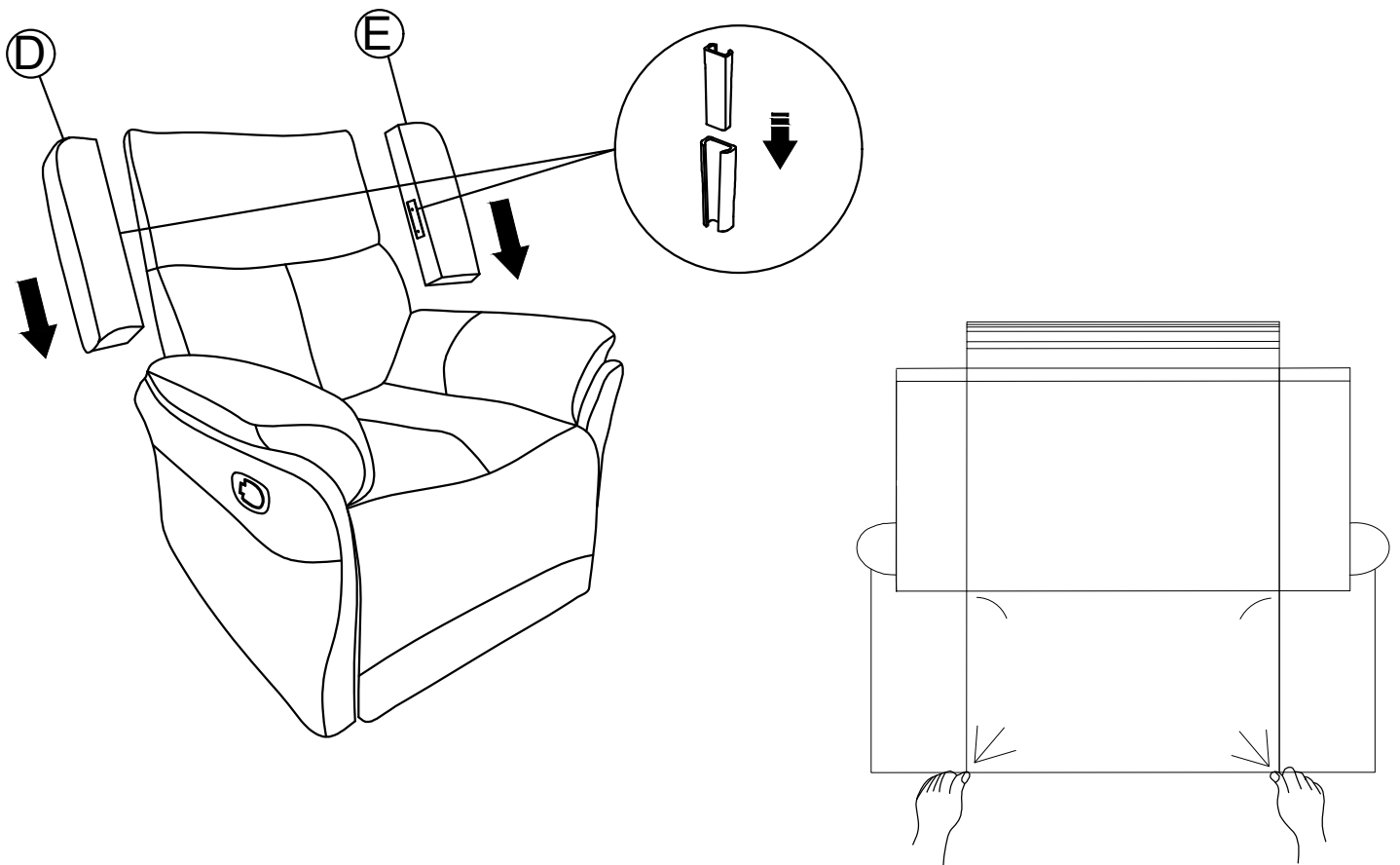
Put the Metal Wheel (C) on the iron frame to the iron frame holes, first Bolt (D) through the Flat Washer (E) and then from top to bottom through the indication of the holes, and Nuts (F) connected to tighten the fixed.



Step 2: Attach Backrest (B) to Seat Body (A).

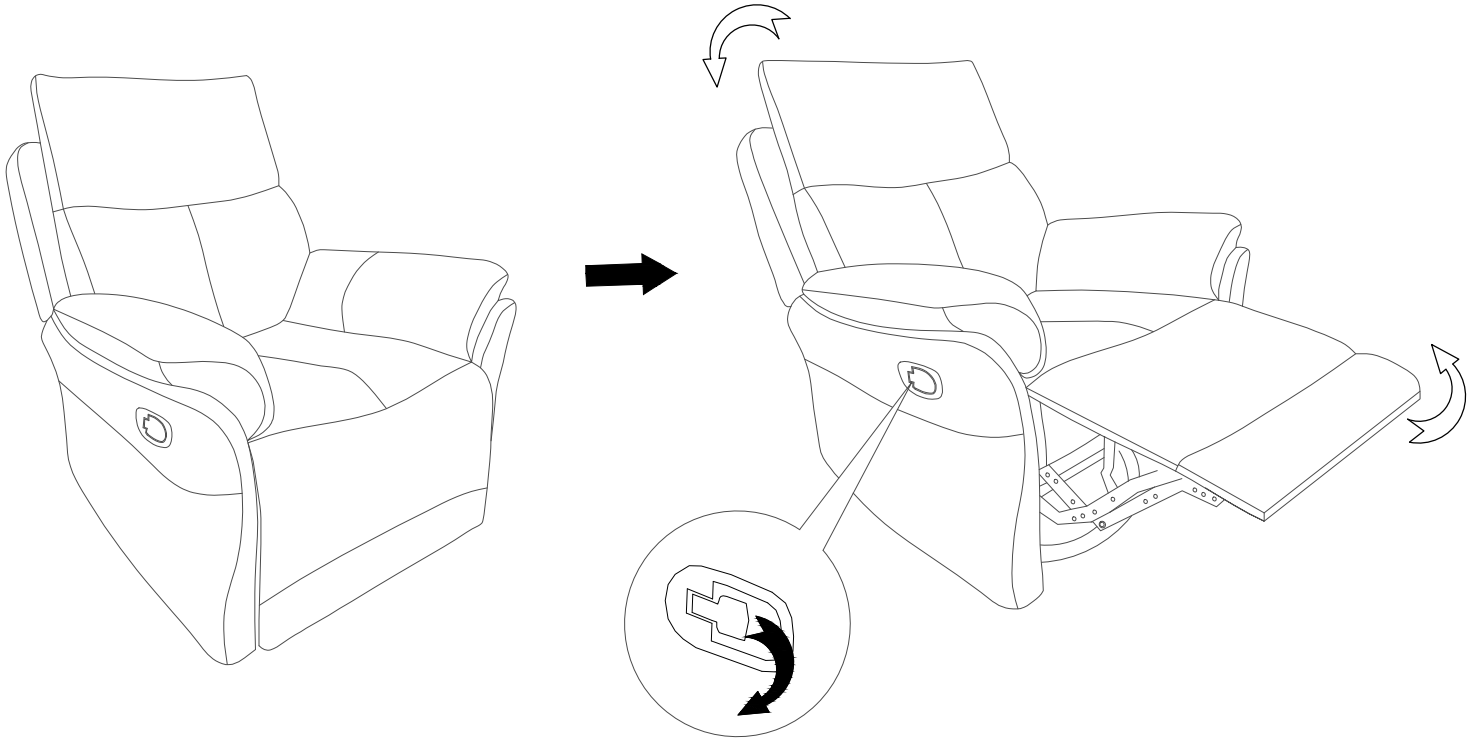


Step 3: Install right ear (E) and left ear (D) on the backrest (B)

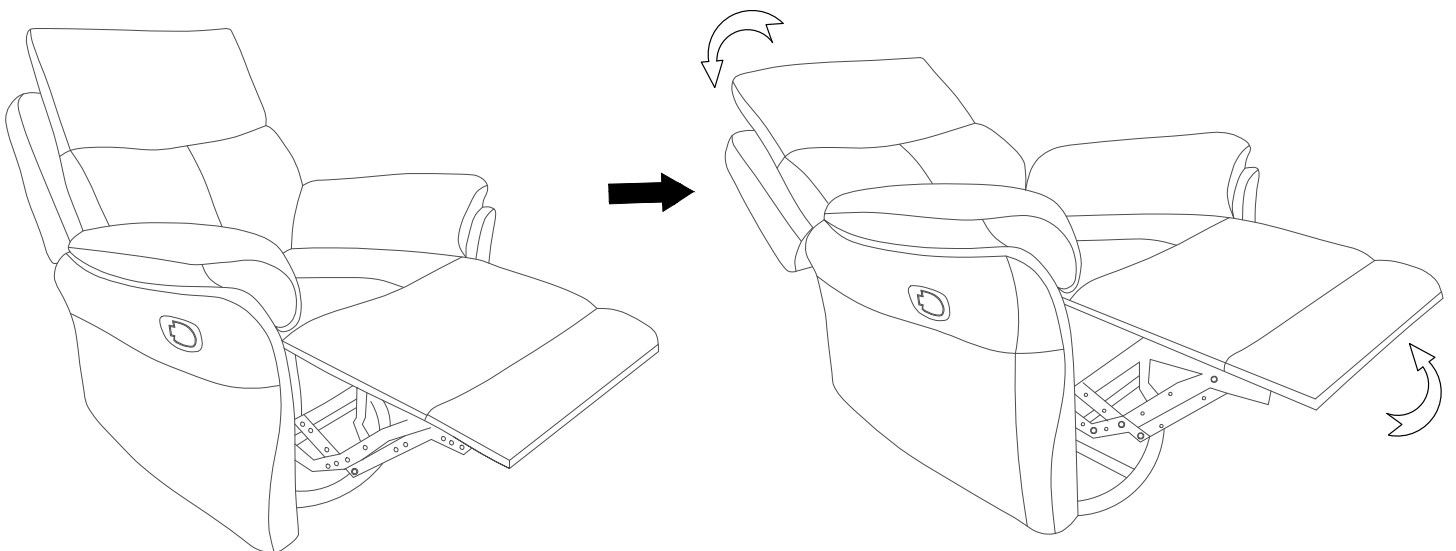


ASSEMBLY INSTRUCTIONS

STEP 4:



STEP 5:



Warnings

1. Please check if the components of the chair are all included and can be used normally.
2. Assemble all components according to the instruction correctly before you connect the chair to the power.
3. Please DO NOT sit on the armrests or footrest to eliminate the risk of tipping over.
4. If the chair is damaged or doesn't match the website description, please send clear pictures of the product and label of the carton to our service team for further help.
5. If the recliner doesn't work, you may try the following measures for self-checking firstly:
 - a) Check if all the cables are connected;
 - b) Check if the light of transformer is on.If the chair still doesn't work, please feed the information back to our customer service in time and we'll help you solve the matter as soon as possible.
6. If you have any questions with the product, please contact us

