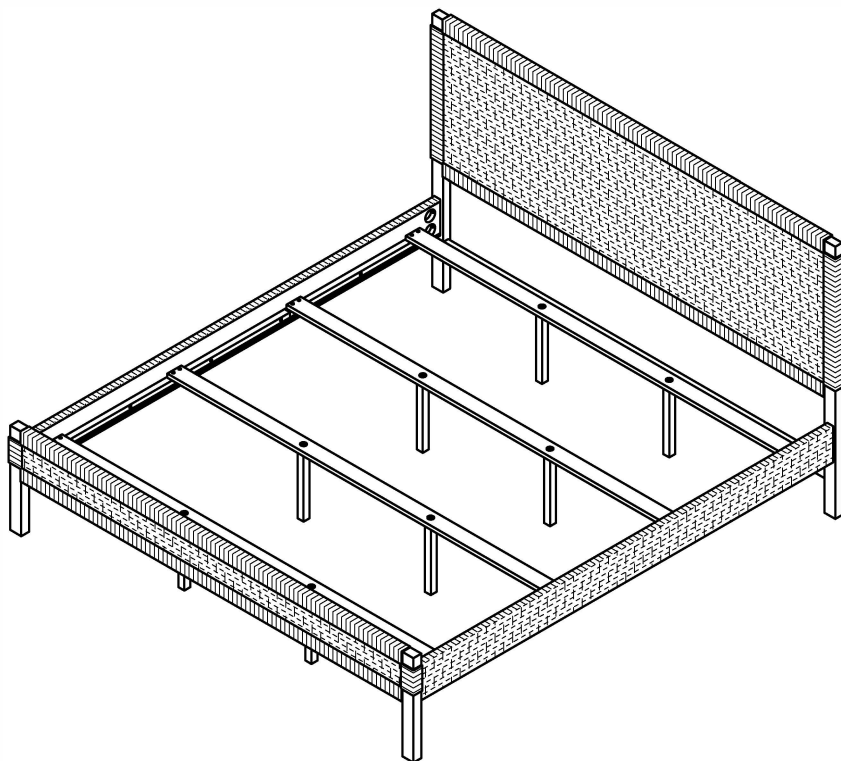


WOVEN BANANA STEM KING BED









Assembly Instructions







Thanks for bringing Safavieh Couture into your home

Every thing we make is incredibly simple to set up, including your new king bed. You won't need any additional tools.

Parts List

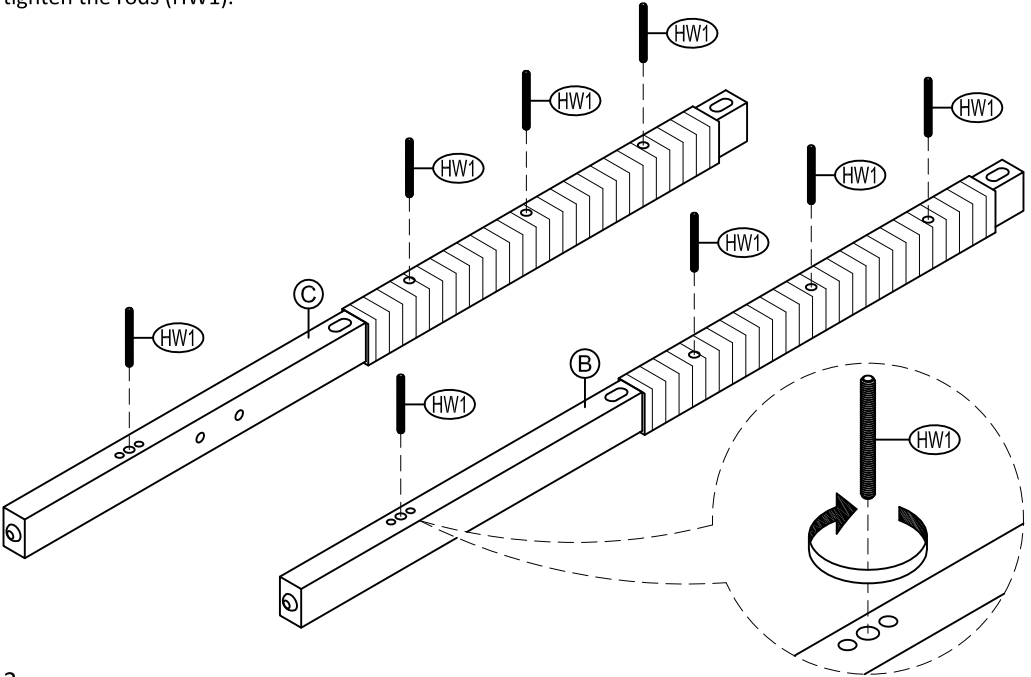
A x 1 HEADBOARD	
B x 1 LEFT LEG	
C x 1 RIGHT LEG	
D x 1 STRETCHER	
E x 1 FOOTBOARD	
F x 2 SIDE RAIL	
G x 4 SLAT	
H x 8 CENTER LEG	

Hardware List

HW1 x 16 THREADED ROD 5/16"x0.06"x2 3/8"	
HW2 x 10 SQUARE WASHER	
HW3 x 6 FLAT WASHER	
HW4 x 16 HEX NUT	
HW5 x 1 HEX WRENCH	
HW6 x 16 ROUND HEAD SCREW 4x1x25 mm	
HW7 x 4 LARGE DOWEL	
HW8 x 4 SMALL DOWEL	

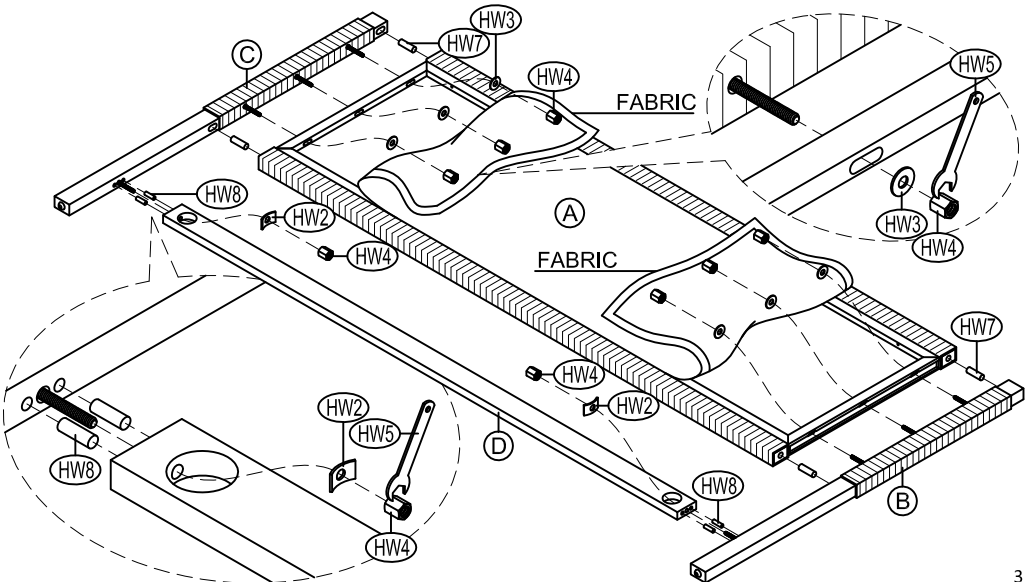
1

Screw in Threaded Rods (HW1) to the Left Headboard Leg and the Right Headboard Leg (B and C). Then tighten the rods (HW1).

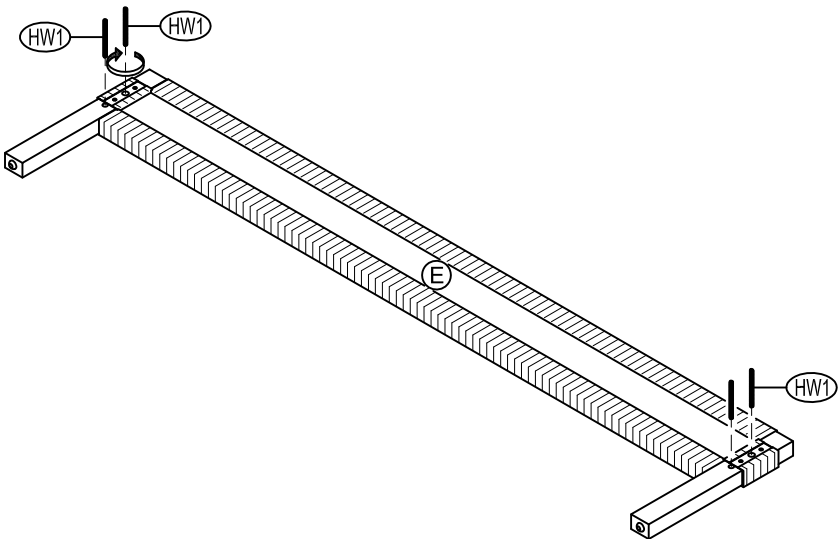
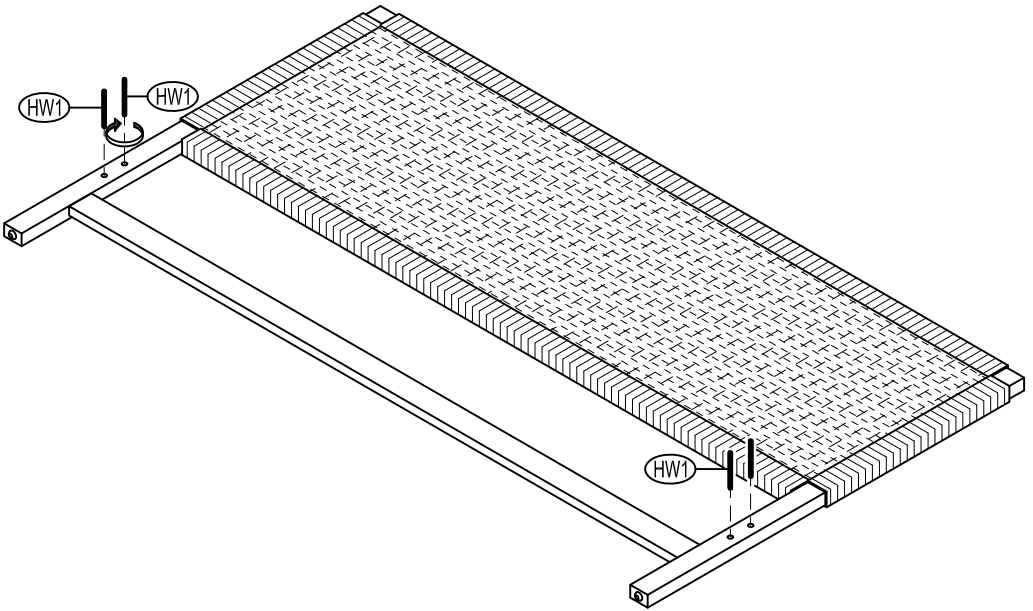


2

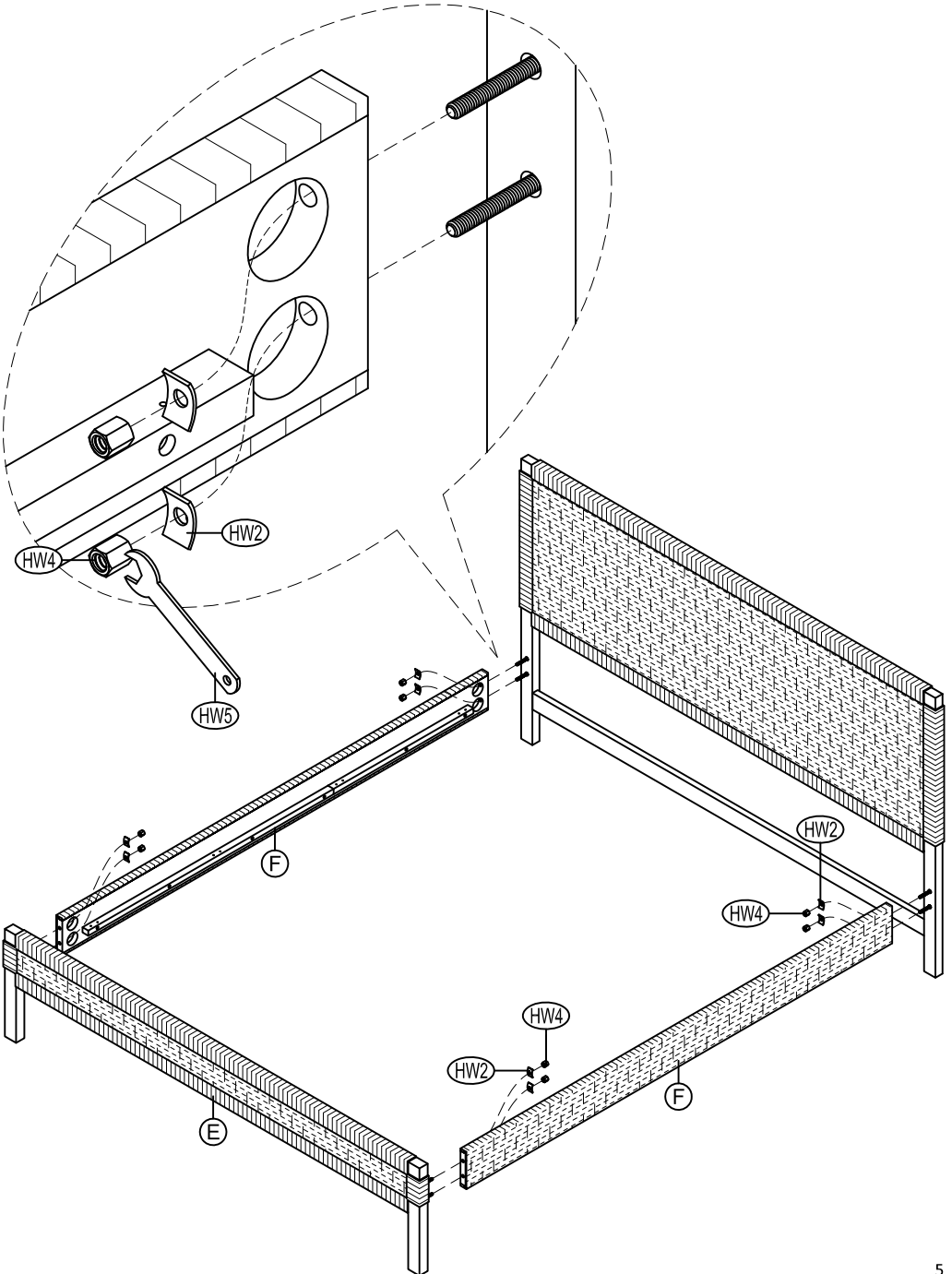
Uncover the fabric on both ends of the back of the Headboard (A) with the Large Dowels (HW7). Attach Left and Right Legs (B and C) to the Headboard (A) with the Large Dowels (HW7). Use the Flat Washers (HW3) and Hex Nuts (HW4) to attach the Legs to the Headboard (A). Attach the Stretcher (D) to Left and Right Legs (B and C) with the Small Dowels (HW8), use the Square Washers (HW2) and the Hex Nuts (HW4) to attach the Stretcher (D) to Left and Right Legs (B and C). Tighten the Nuts using the Hex Wrench (HW5). Place the fabric back into place. **Note: Assemble Headboard (A) and Stretcher (D) at the same time.**



Attach Threaded Rods (HW1) to the Headboard legs and Footboard (E). Tighten the rods.

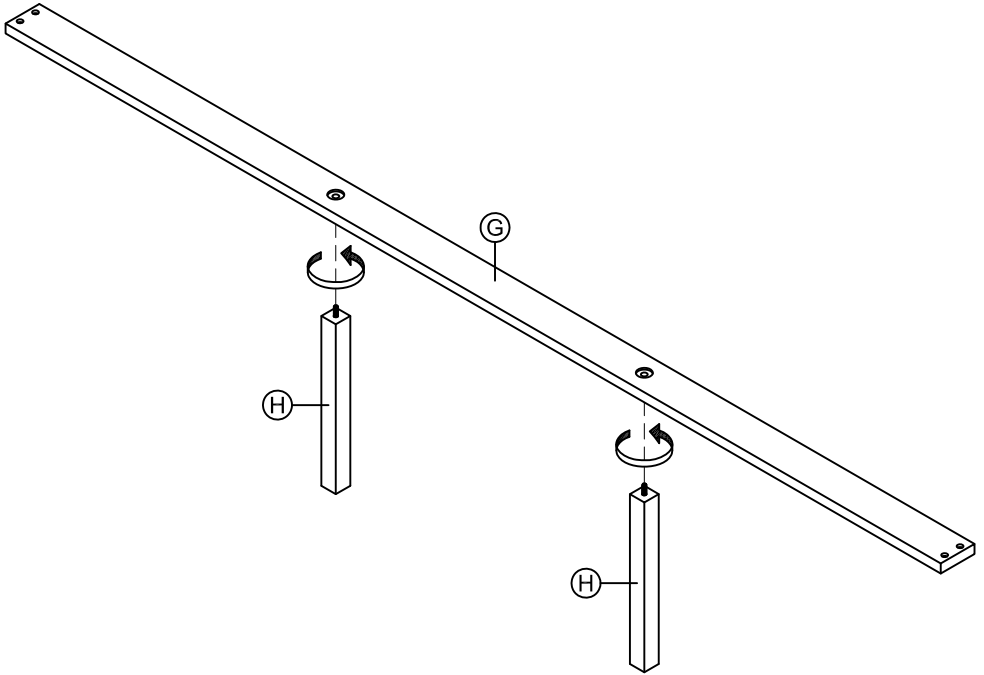


Attach Side Rails (F) to the Headboard and Footboard (E) by using Square Washers (HW2) and Hex Nuts (HW4). Tighten Nuts using the Hex Wrench (HW5).



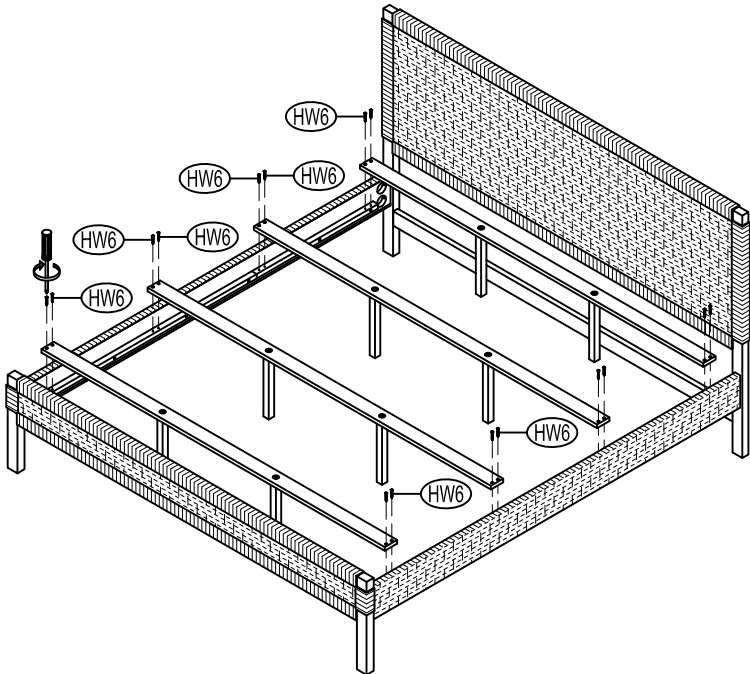
5

Screw in Center Legs (H) to Slats (G).



6

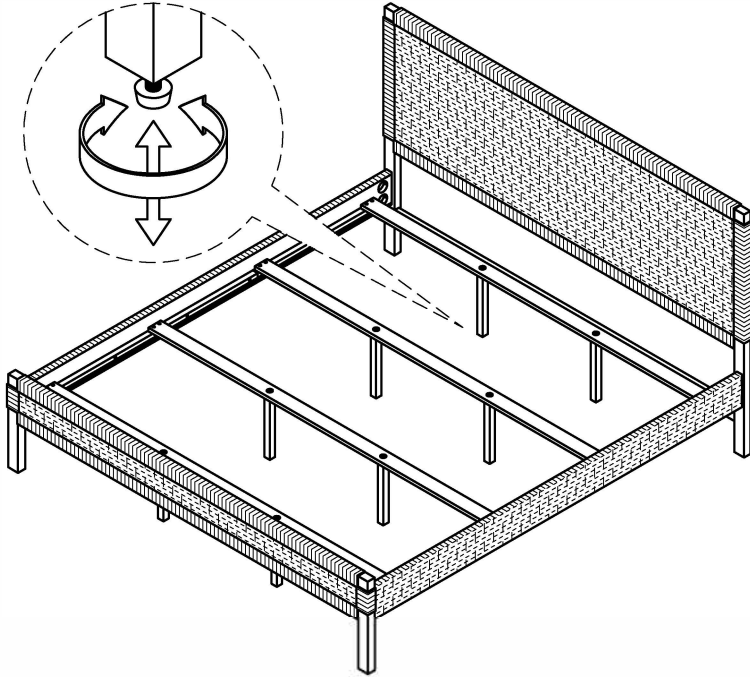
Attach the Slats to the Sideboards by screwing in 1" Round Head Screws (HW6).



6

7

Level the bed by adjusting the adjustable levelers on the bottom of the Center Legs.



8

Place the bed in the place where you will use it.

