

# Solitude

BPD31460

**Project:**

---

**Location:**

---

**Fixture Type:**

---

**Catalog Number:**

---

## DESCRIPTION

Luxuriously crafted and beautifully designed to add dramatic character to any space, a spear of Optic Haze Quartz composed of natural quartz gemstone illuminates and gravitates with bolts of luminous energy.

## FEATURES

- Optic Haze™ Quartz includes unique variations in luster, hue, and patterning
- 3CCT adjustability switch. Set from 3000K/3500K/4000K
- Can be mounted on a sloped ceiling.
- Driver concealed within the fixture

## CRYSTAL OPTIONS



Optic Haze  
Quartz  
(OH)

## FINISH OPTIONS

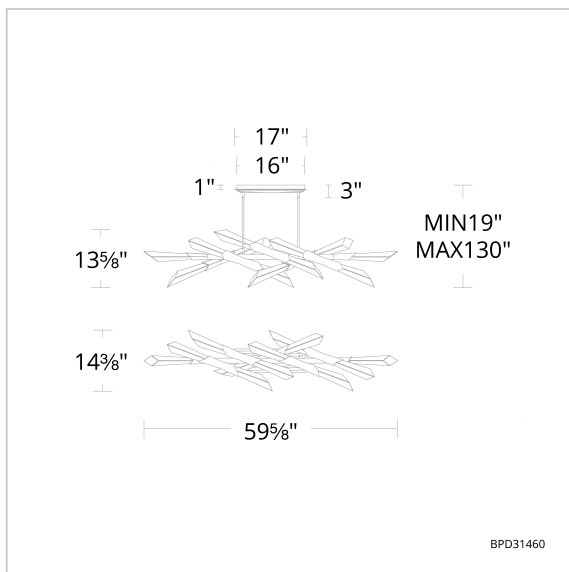


Antique  
Nickel  
(-AN)



Aged Brass  
(-AB)

## LINE DRAWING



## SPECIFICATIONS

<b>Light Source</b>	LED
<b>CRI</b>	90
<b>Dimming</b>	ELV,0-10V, Triac
<b>Standards</b>	ETL/cETL, Title 24

## REPLACEMENT PARTS

- RPL-RODIN12-886-AB - 6" Rod AN
- RPL-RODIN06-886-AB - 12" Rod AN
- RPL-GLA-31460-03 - Canopy Crystal
- RPL-GLA-31460-02 - Small Crystal
- RPL-GLA-31460-01 - Large Crystal
- RPL-RODIN12-886-AB - 6" Rod AB
- RPL-RODIN06-886-AB - 12" Rod AB

Model	Crystal	Finish	Size	CCT	Voltage	Wattage	Weight	LED Lumens	Delivered Lumens
BPD31460	OH	- AB - AN	60"	3000K/3500K/ 4000K	120-277V	42W	43.21lbs	1951	Up To 897

**Example: BPD31460-AN**