

**ASSEMBLY TIPS:**

1. Remove hardware from box and sort by size.
2. Please check to see that all hardware and parts are present prior to start of assembly.
3. Please follow attached instructions in the same sequence as numbered to assure fast & easy assembly.

**Warning!**

1. Don't attempt to repair or modify parts that are broken or defective. Please contact the store immediately.
2. This product is for home use only and not intended for commercial establishment.



ASSEMBLY TIME 10 MINUTES

**PARTS IDENTIFICATION :**

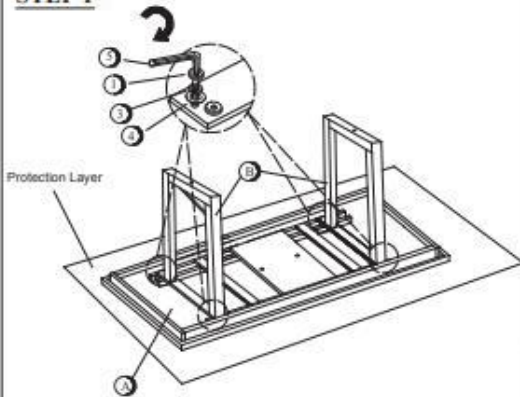
- A** TABLE TOP 1 UNIT
- B** TABLE LEG FRAME 2 PCS
- C** WOOD STRETCHER 2 PCS

**HARDWARE IDENTIFICATION :**

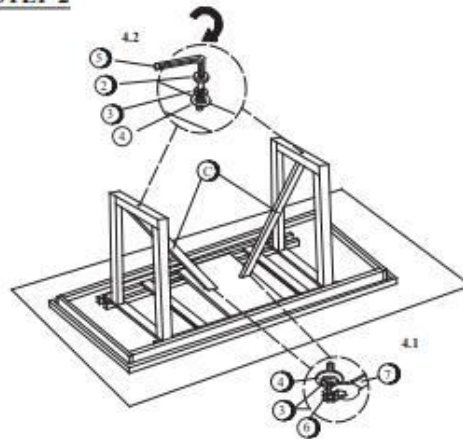
NO.	DESCRIPTION	FIGURE	QTY	Z-B1 (BOX 1) - HARDWARE PACK IS LOCATED
1	SHORT BOLT		8 PCS	
2	LONG BOLT		2 PCS	
3	LOCK WASHER		12 PCS	
4	FLAT WASHER		12 PCS	
5	ALLEN WRENCH		1 PC	
6	HEX NUT		2 PCS	
7	WRENCH		1 PC	

NOTE: PHILLIPS HEAD SCREW DRIVER IS REQUIRED IN THE ASSEMBLY PROCESS. HOWEVER, MANUFACTURER DOES NOT PROVIDE THIS ITEM.

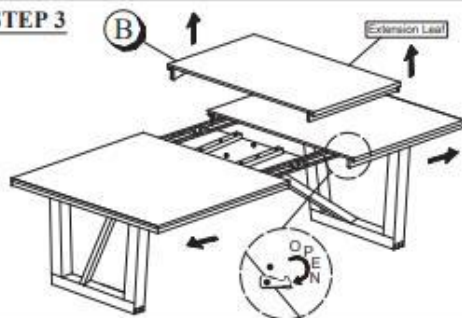
**STEP 1**



**STEP 2**



**STEP 3**



**STEP 4**

