

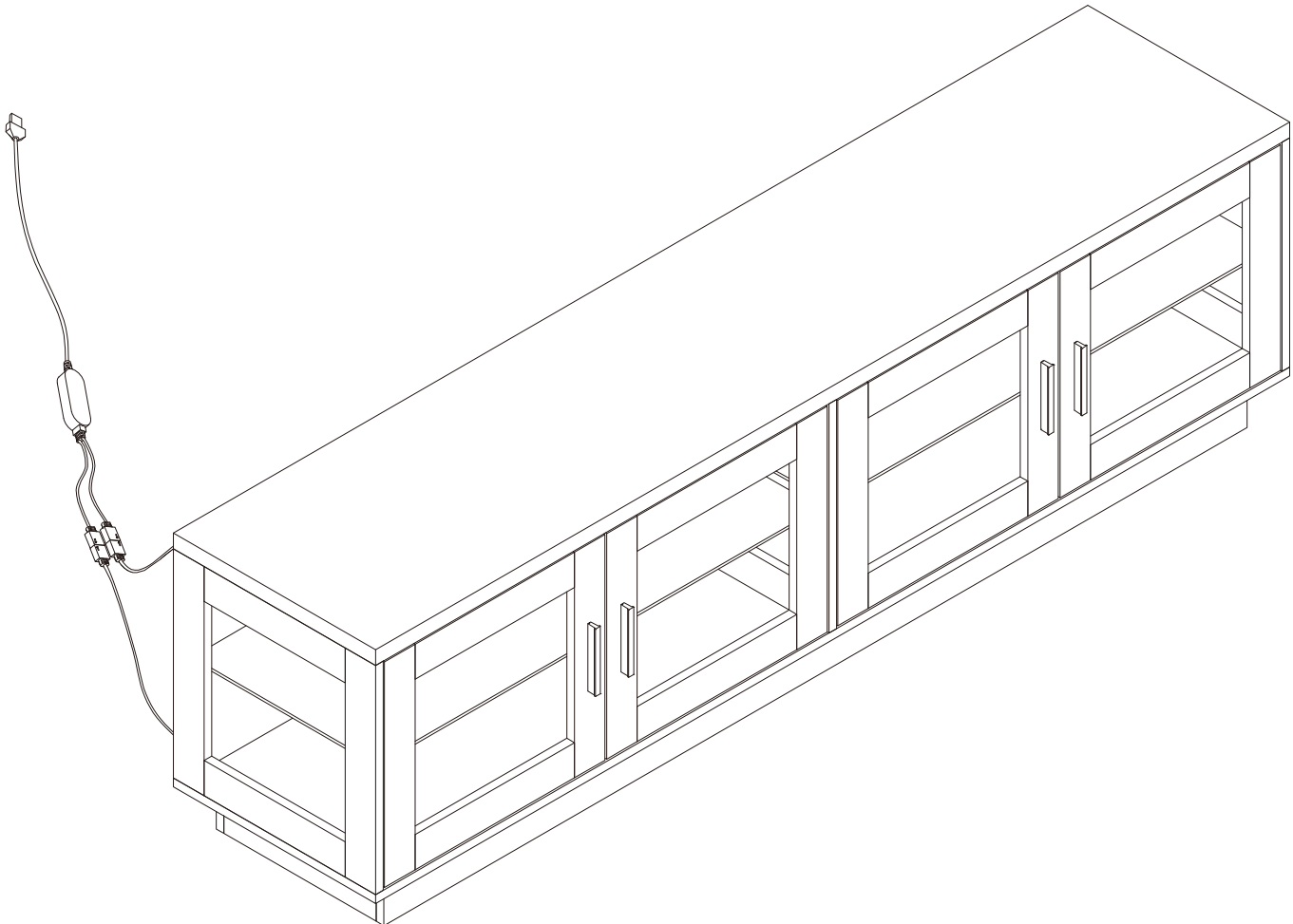
AMZZAR

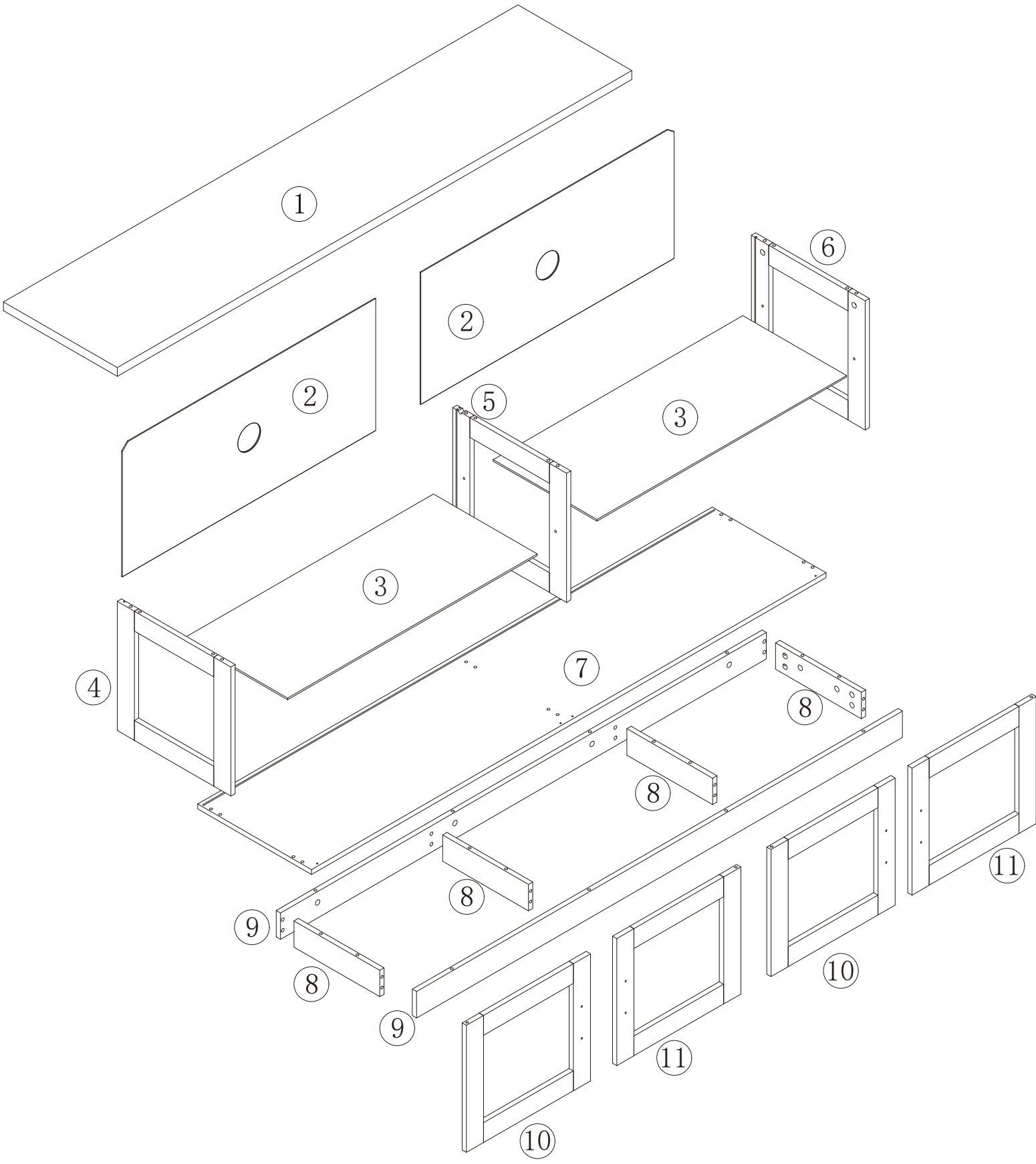
Model: USHG6115/USHG6116

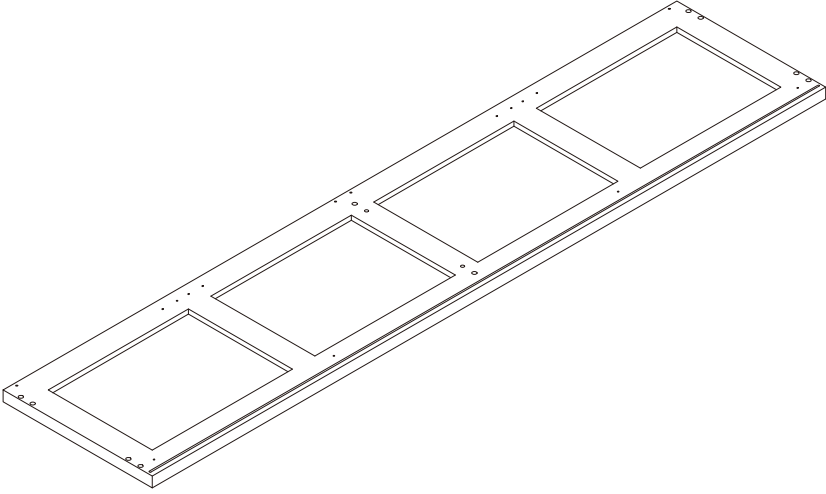
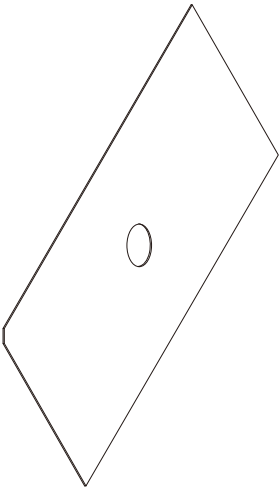
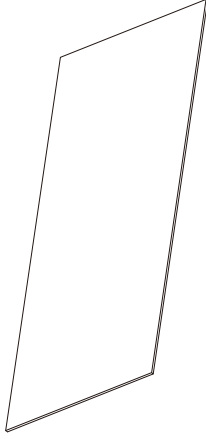
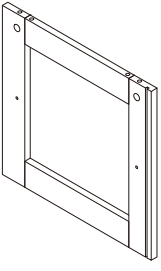
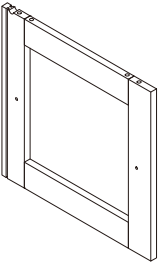
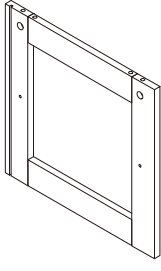
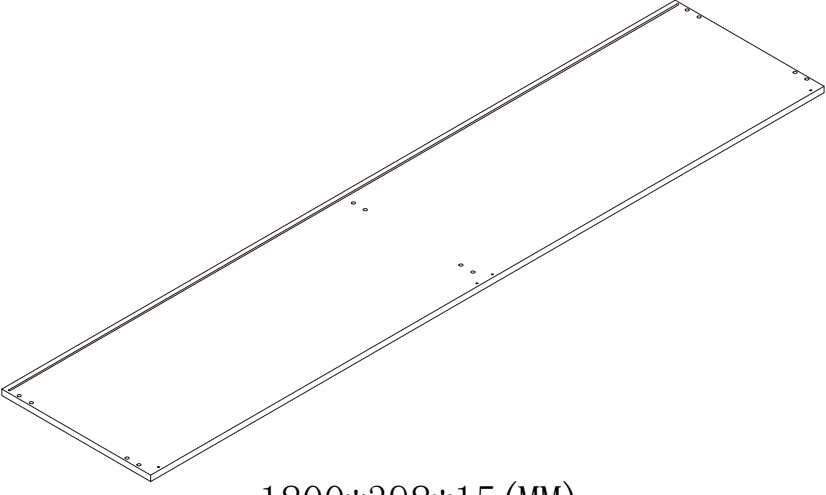
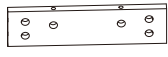
After-sales Email: nbepeach@hotmail.com

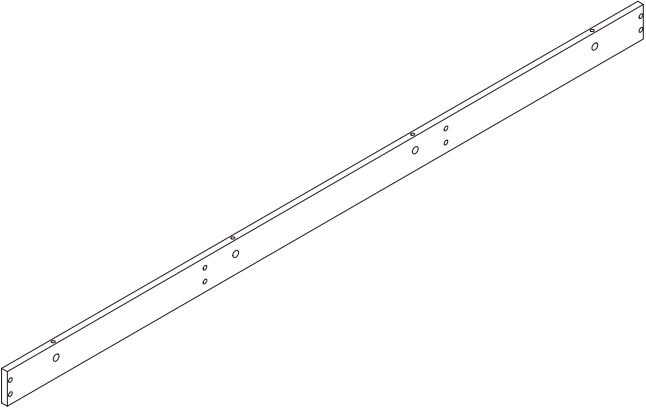
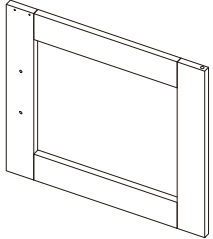
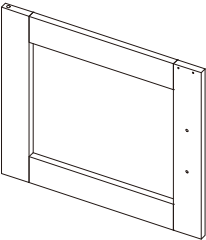



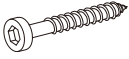
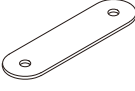
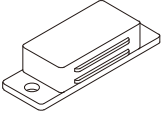
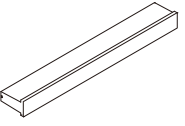
Customer Service Phone Number: **678-926-3988**


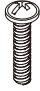
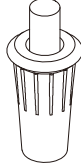
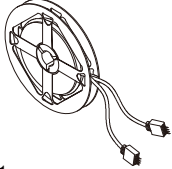

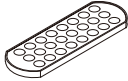

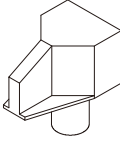
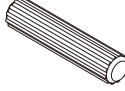
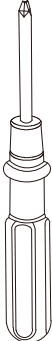
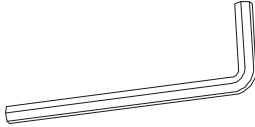
Thank you for purchasing Amzzar product. All Amzzar products are carefully engineered and factory tested for durability under normal conditions. We develop our products for simple installation. Follow our instruction to help you easily install your Amzzar TV Stand.



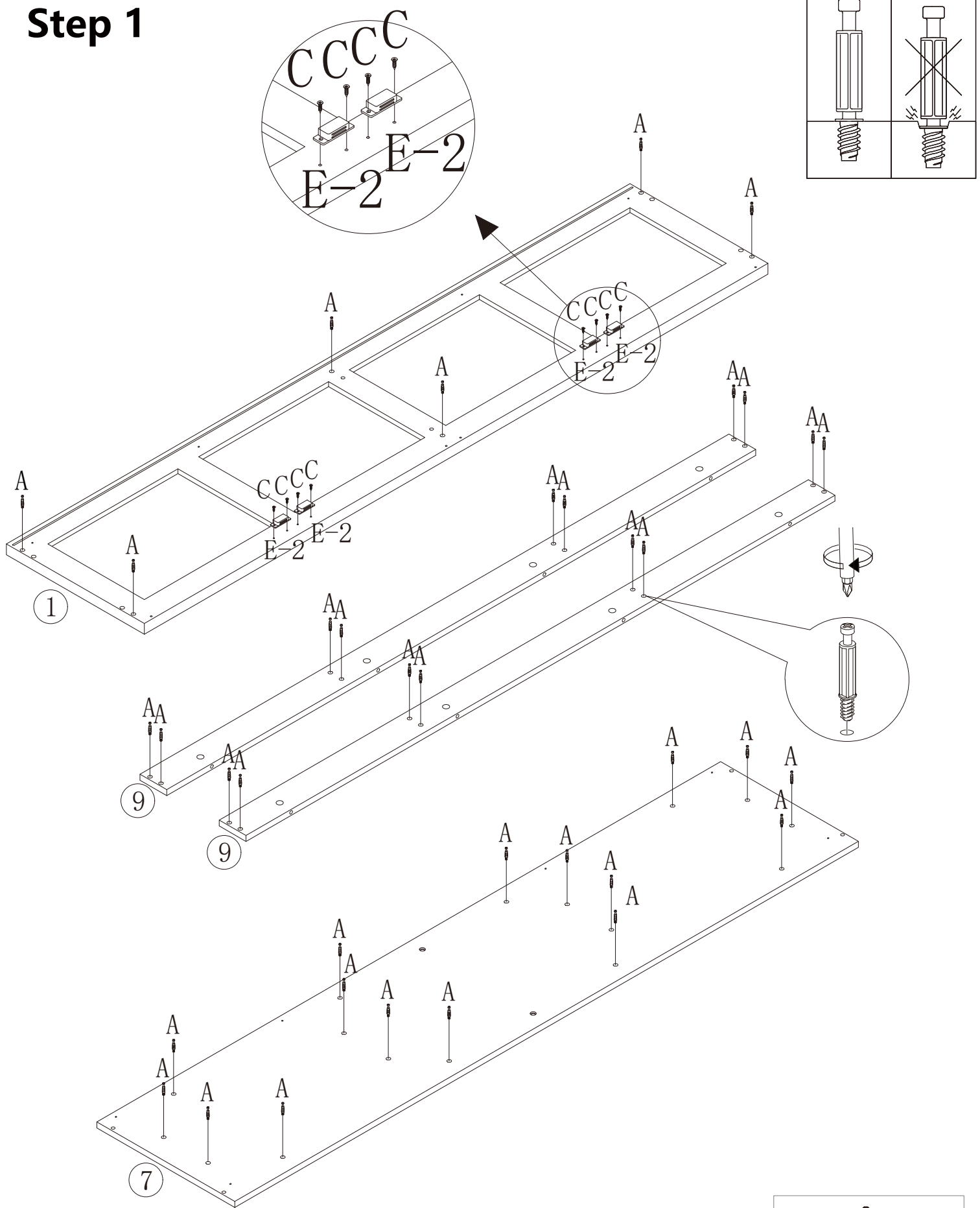


<p>① X1</p>  <p>1800*400*27 (MM)</p>	<p>② X2</p>  <p>886*400*3 (MM)</p>		
<p>③ X2</p>  <p>875*365*4 (MM)</p>	<p>④ X1</p>  <p>398*391*15 (MM)</p>	<p>⑤ X1</p>  <p>398*391*15 (MM)</p>	<p>⑥ X1</p>  <p>398*391*15 (MM)</p>
<p>⑦ X1</p>  <p>1800*398*15 (MM)</p>		<p>⑧ X4</p>  <p>300*77*15 (MM)</p>	




<p>⑨</p>  <p>1700*77*15 (MM)</p>	<p>X2</p>	<p>⑩</p>  <p>434*385*15 (MM)</p>	<p>X2</p>
<p>⑪</p>  <p>434*385*15 (MM)</p>	<p>X2</p>	<p>Ⓐ</p>  <p>38PCS</p>	<p>Ⓑ</p>  <p>φ 15 38PCS</p>
<p>Ⓒ</p>  <p>M3.5*14 17PCS</p>	<p>Ⓓ</p>  <p>M5*40 6PCS</p>	<p>Ⓔ</p>  <p>E-1 4PCS</p>  <p>E-2 4PCS</p>	<p>Ⓕ</p>  <p>4PCS</p>

<p>Ⓒ</p>  <p>M3*12 8PCS</p>	<p>Ⓗ</p>  <p>M4*18 8PCS</p>	<p>Ⓘ</p>  <p>8PCS</p>	<p>Ⓙ</p>  <p>J1 X1</p>  <p>J2 X1</p>  <p>J3 X1</p>
<p>Ⓚ</p>  <p>9PCS</p>	<p>Ⓛ</p>  <p>8PCS</p>	<p>Ⓜ</p>  <p>M8 12PCS</p>	
			

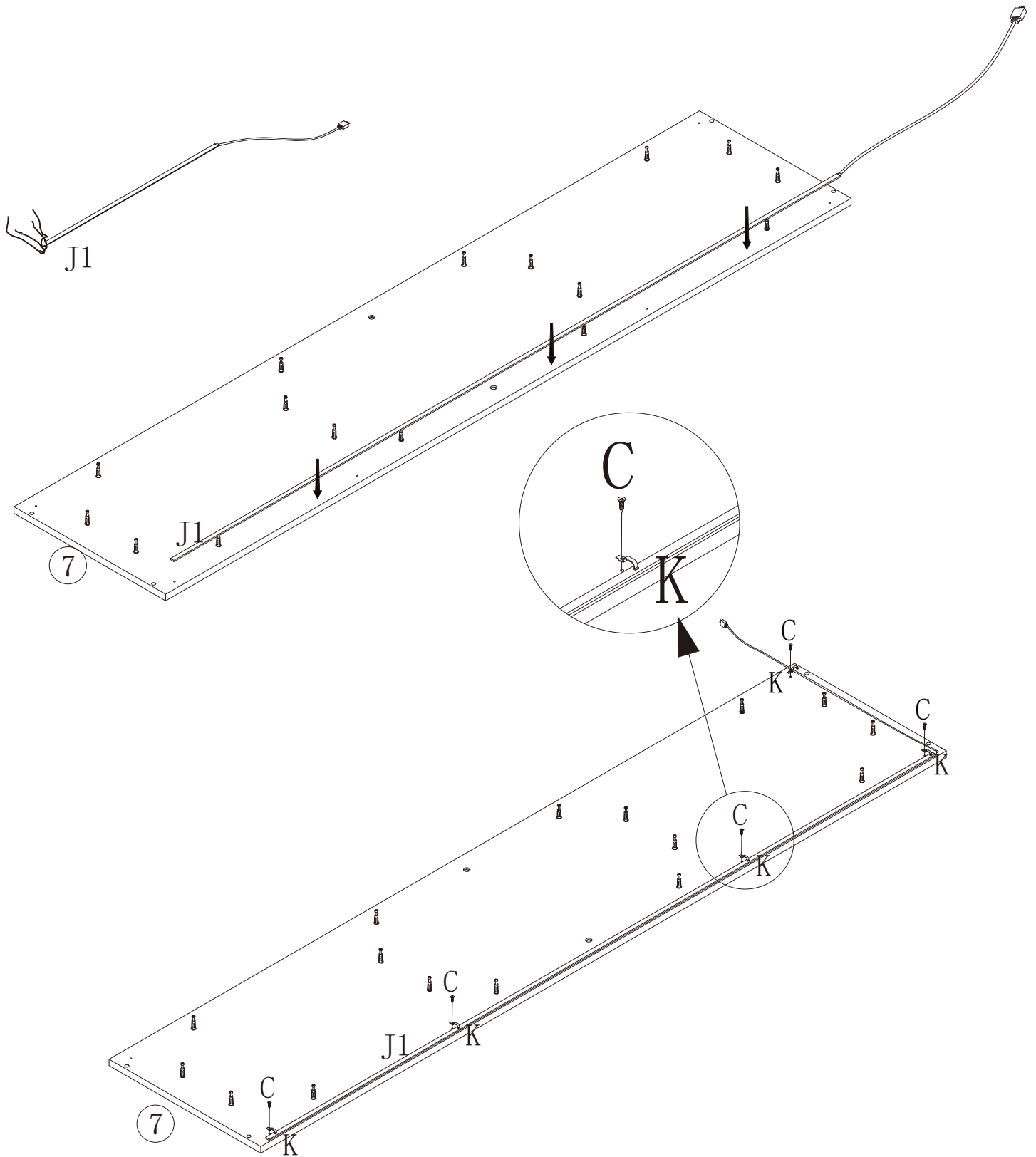
Step 1






To avoid scratching any parts, we recommend laying down the protective material included in the packaging before you start this step. It's a small step that makes a big difference!

A		X38
E-2		X4
C		X8

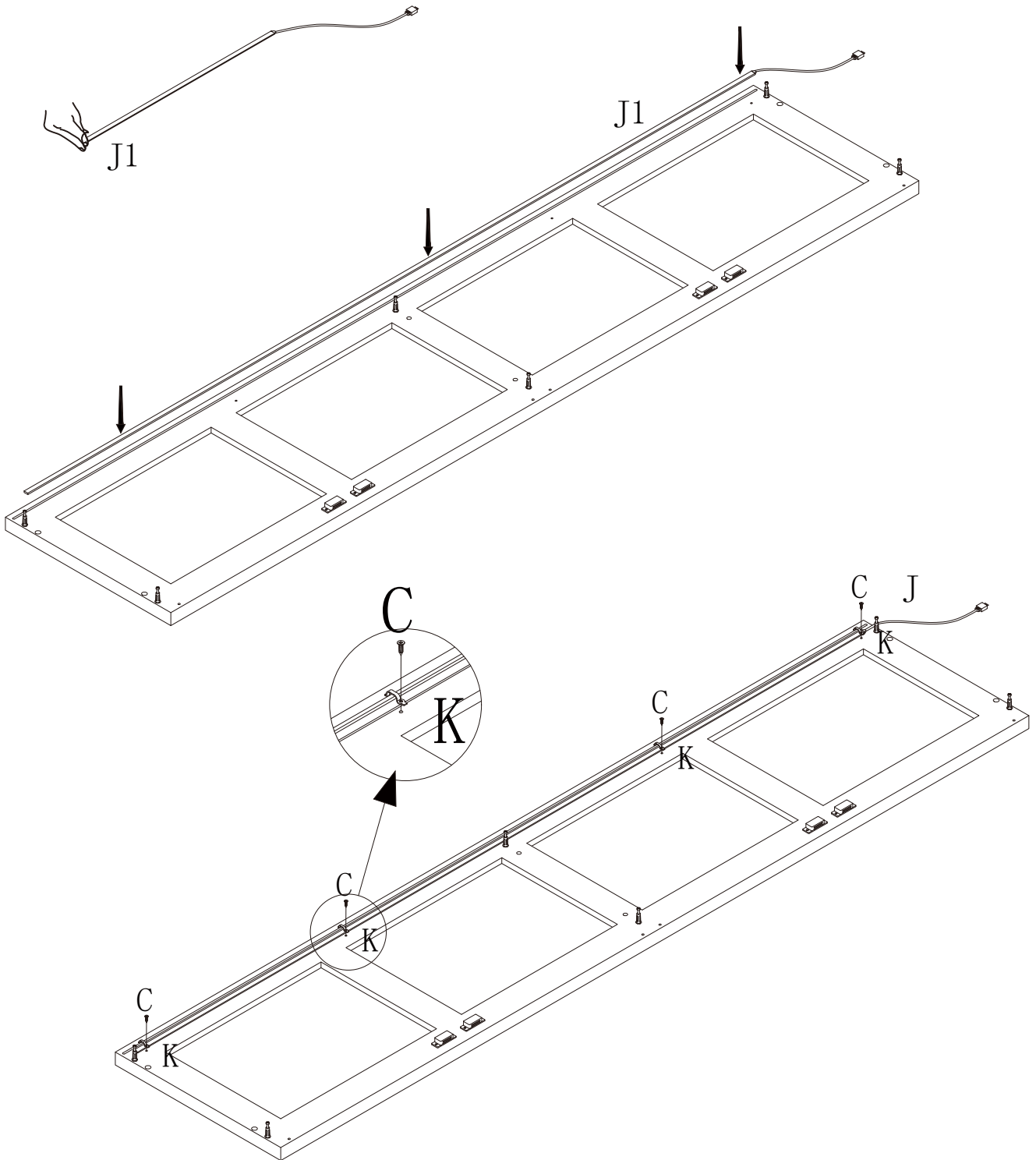
Step 2






Now's a good time to secure the LED strip in the position shown in the diagram. Make sure to align it with the pilot holes. Getting this right now will save you time and trouble later.

C		X5
J1		X1
K		X5

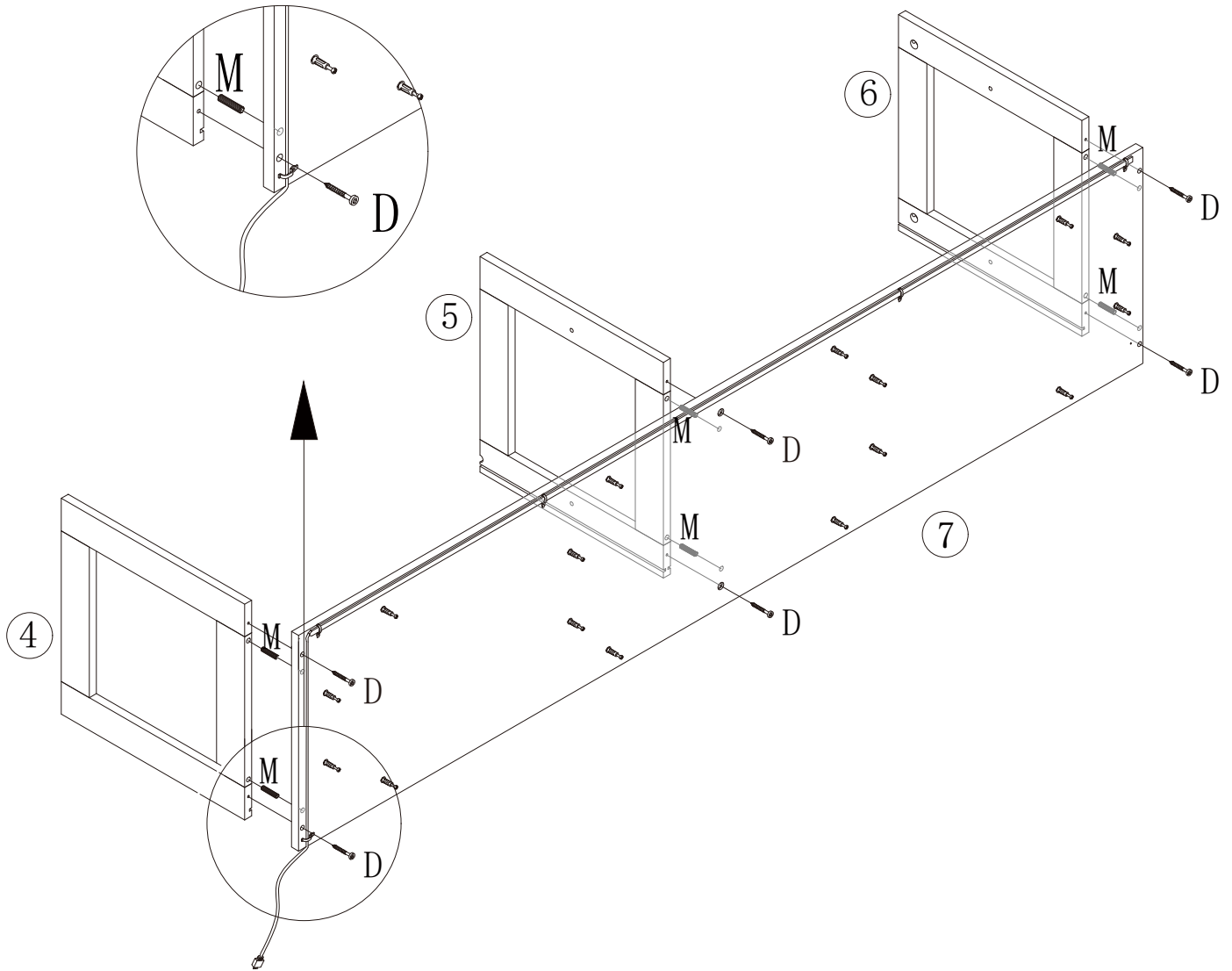
Step 3



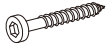
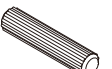
Double-check the direction of the LED strip's power supply—it should match the orientation from the previous step. This is a crucial check to avoid any missteps!

C		X4
J1		X1
K		X4

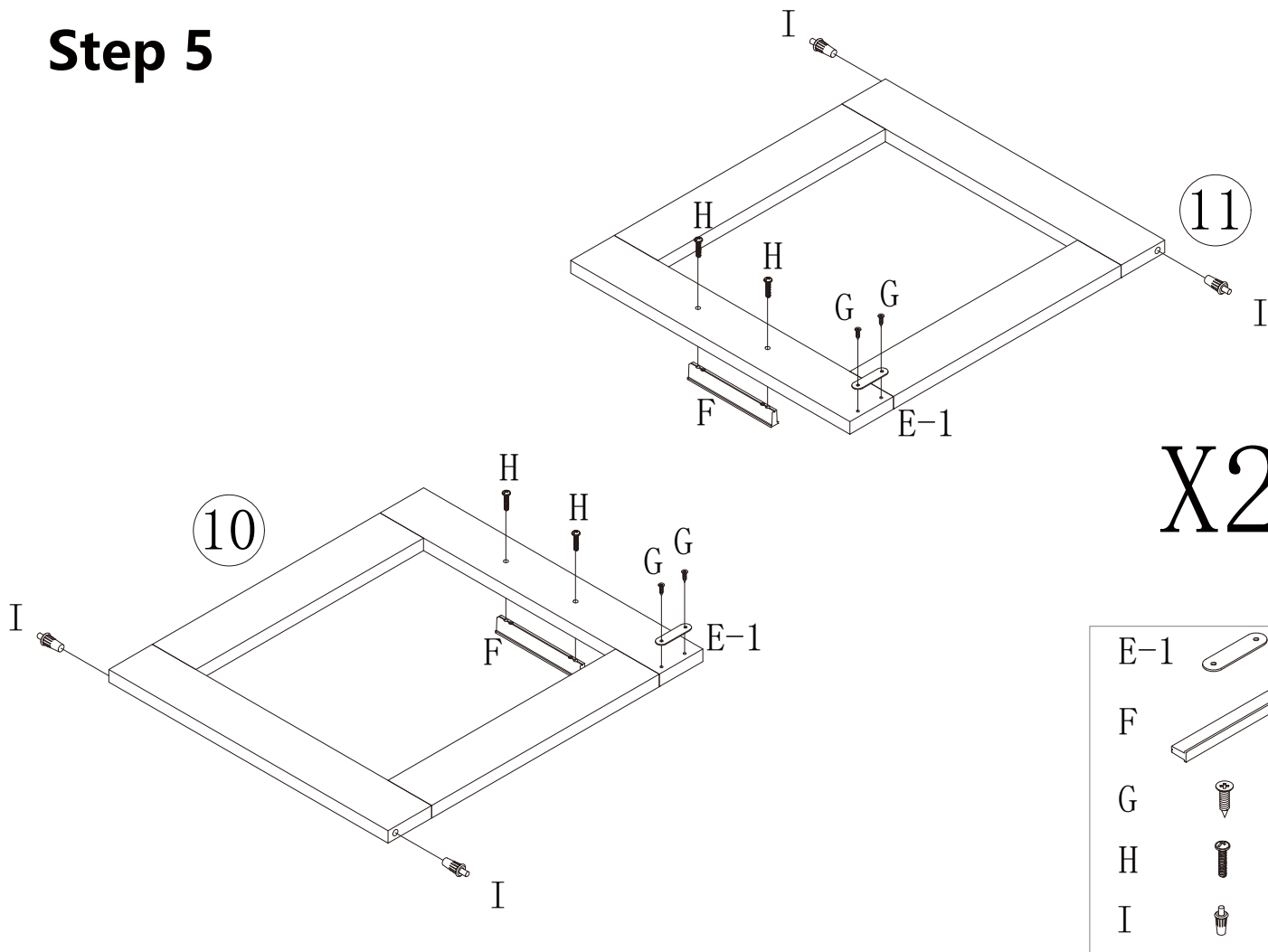
Step 4



When installing parts 4, 5, and 6, be mindful of their orientation. You can tell the front from the back by looking at the grooves in the diagram. (You'll also notice a notch on Part 5. Don't worry—it's not a defect. We've designed it this way to leave space for the LED strip at the top.)

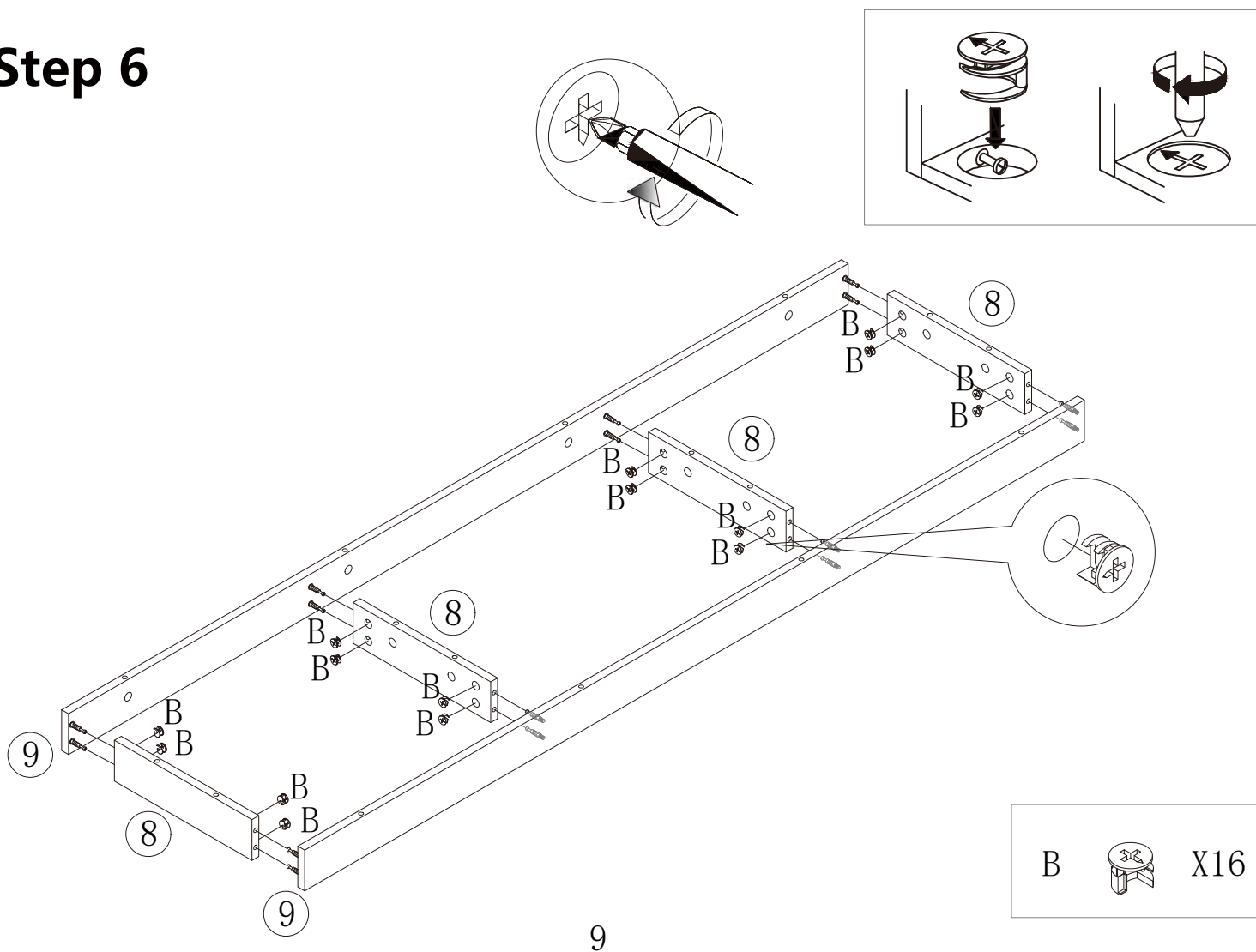
D		X6
M		X6

Step 5

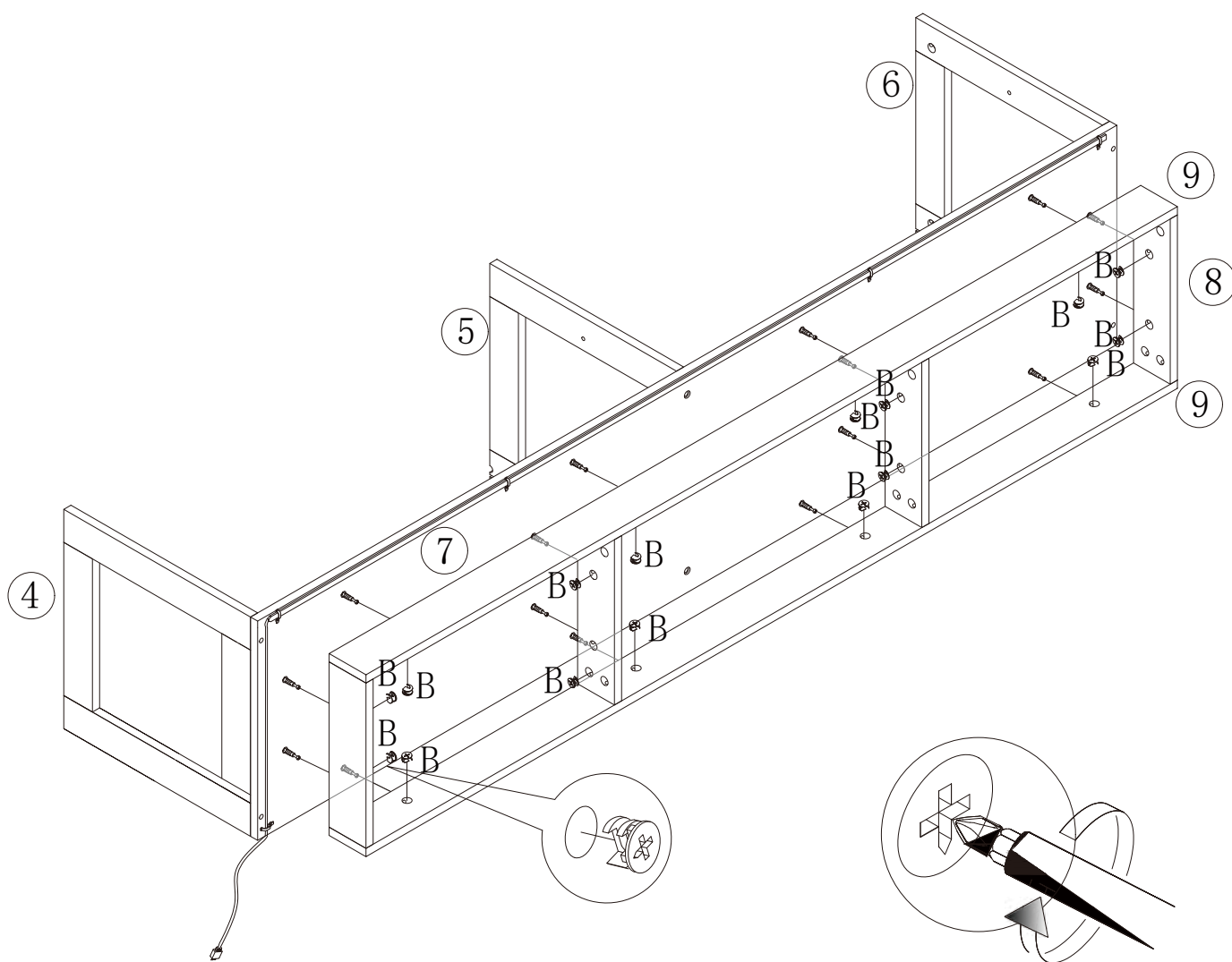
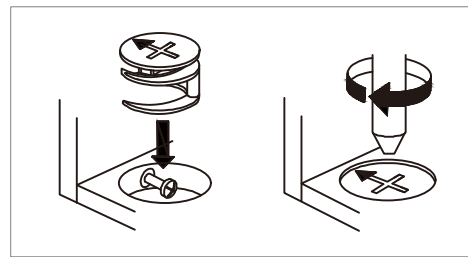


X2

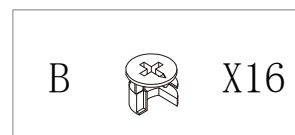
Step 6



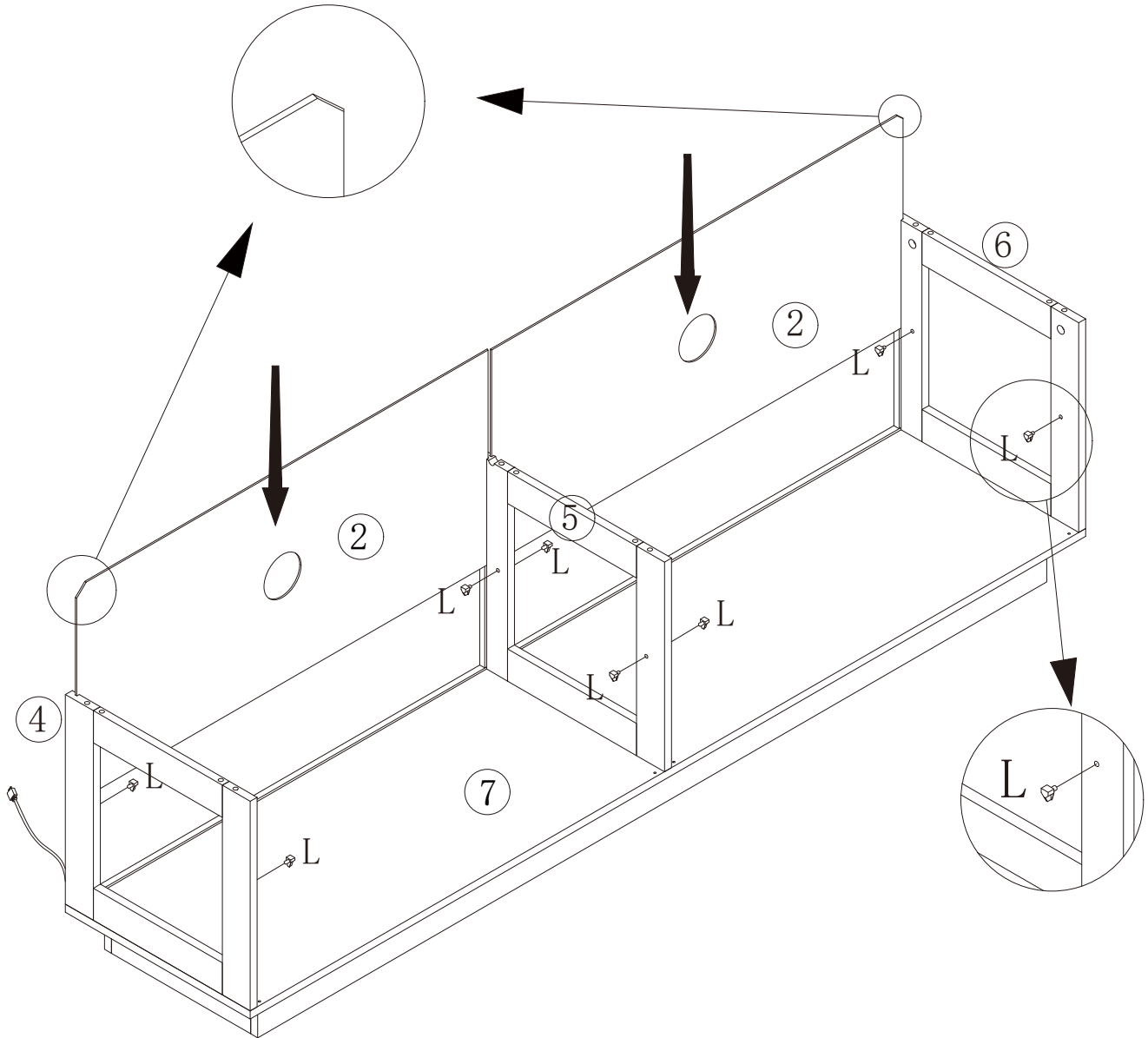
Step 7



If you notice the LED strip is clashing with other components at this point, don't panic—just go back to Step 2 and recheck your alignment.



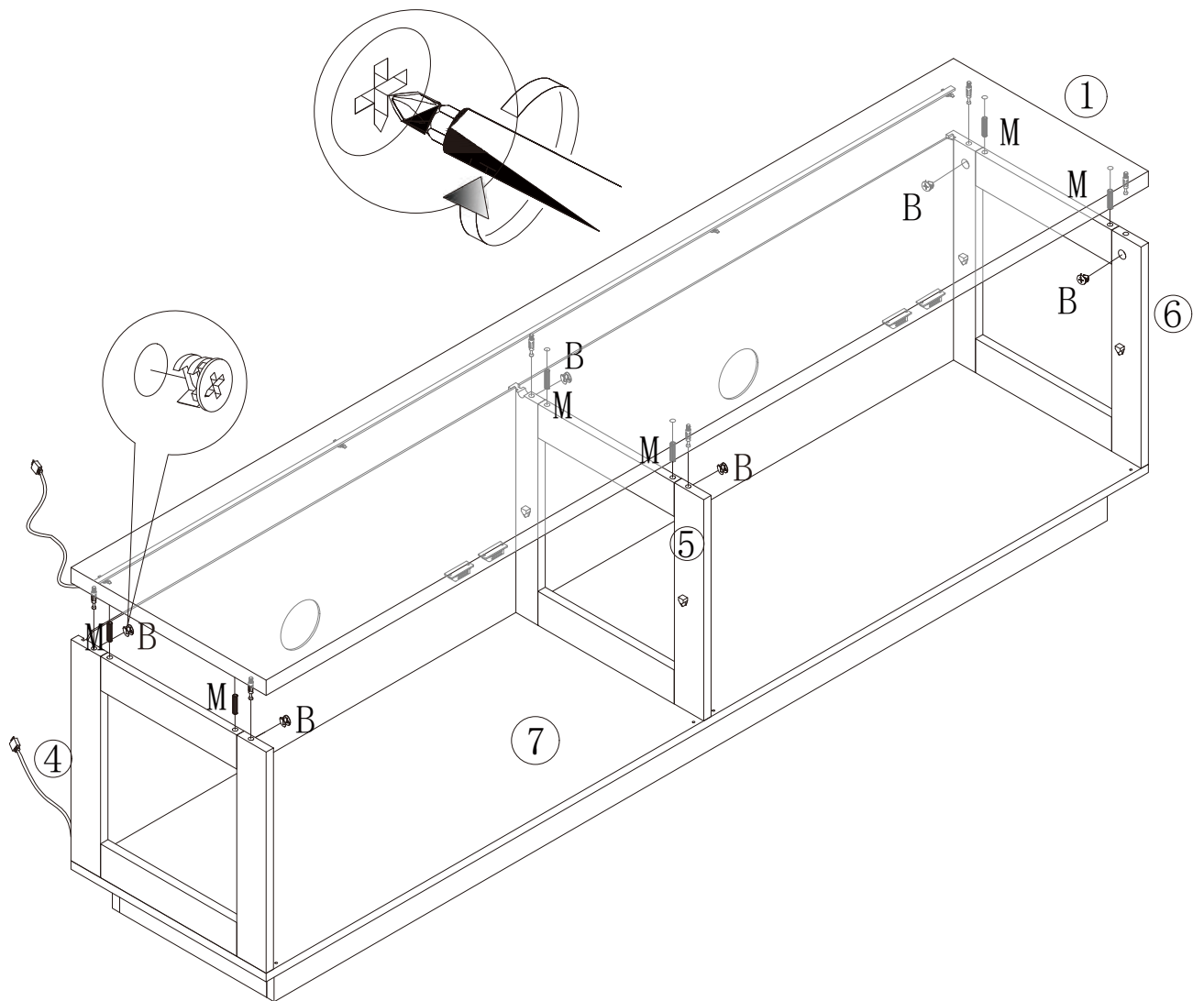
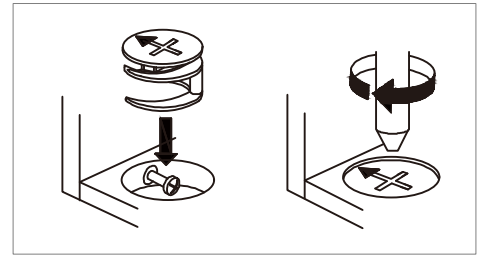
Step 8



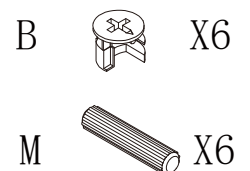
See that notch in the corner of Part 2? That's for the power cable. Don't forget to install the L component here—it's key to keeping everything stable.

L  X8

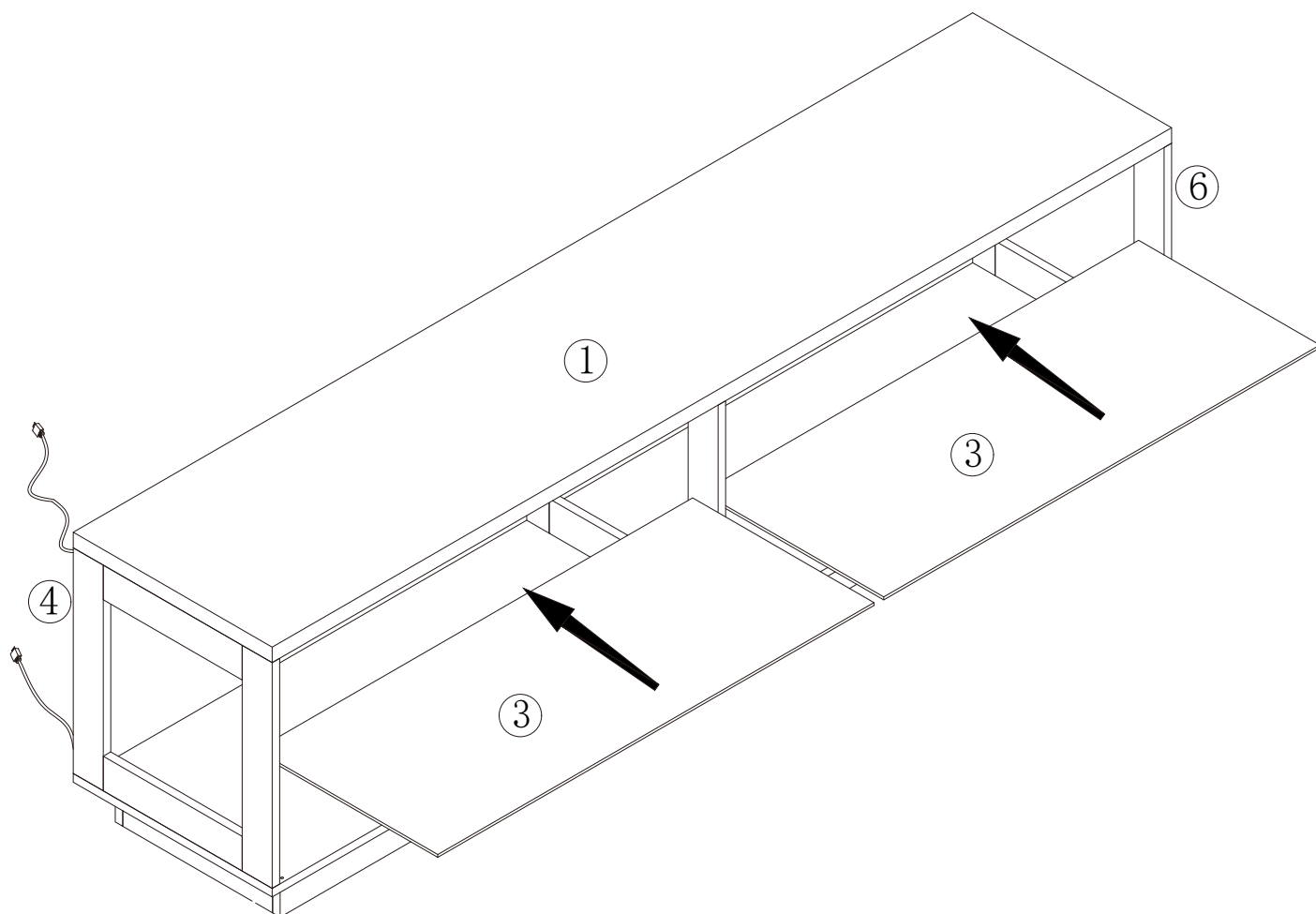
Step 9



If the LED strip position still doesn't seem right, take a moment to revisit Step 3 and check your work.

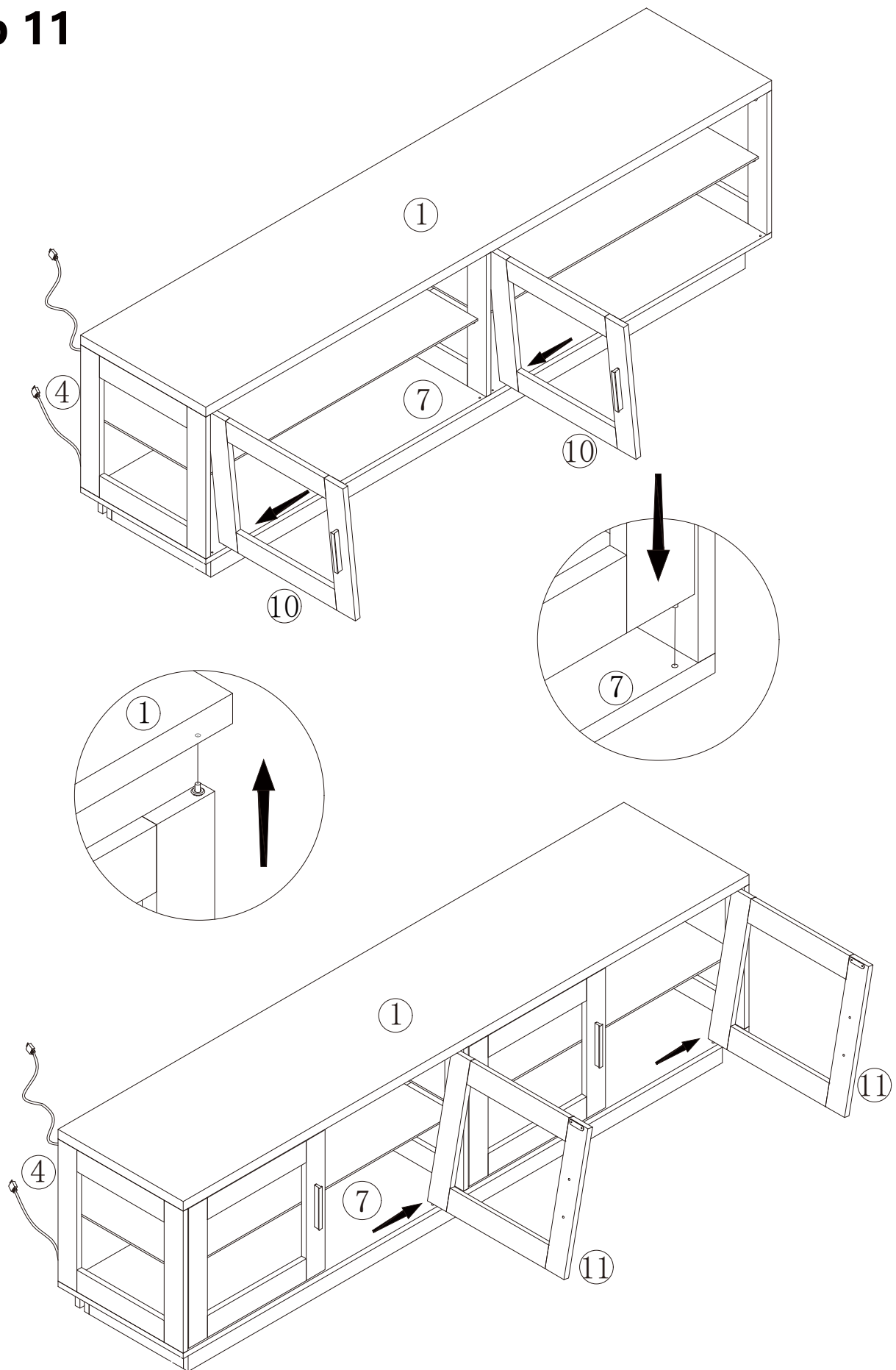


Step 10



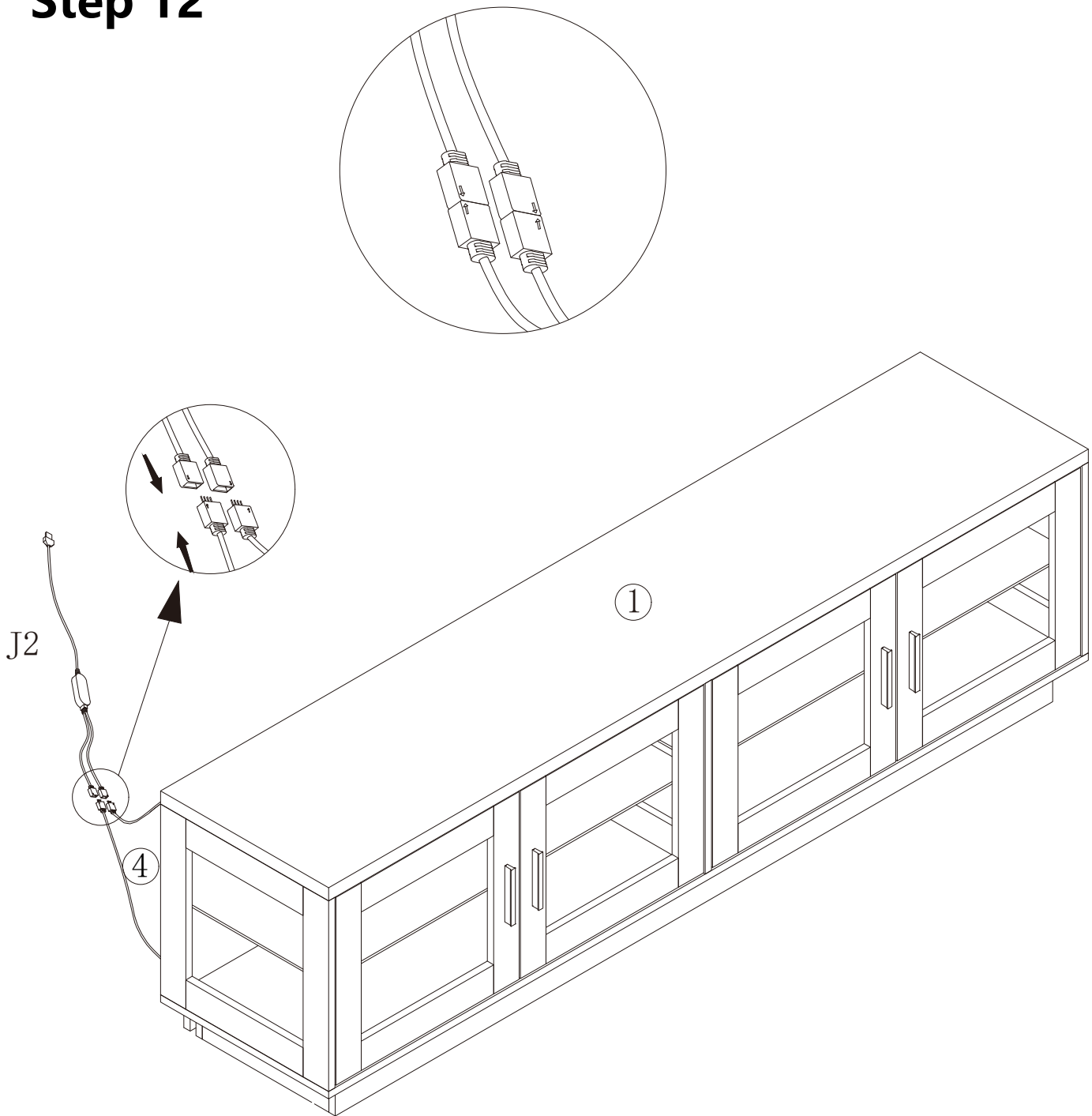
Having trouble placing Glass Part 3? It might be because the L component isn't positioned correctly—give it another look.

Step 11



When you're installing the door, make sure you know which side is up. You can tell by the metal piece at the top of the door.

Step 12



Finally, connect the power cables of the two LED strips. If they seem too far apart, check the installation direction again. The LED strip's manual has more detailed instructions, or you can scan the QR code to download the app for extra guidance.

