



DINING CHAIR

SAFETY & WARNINGS

Warning

- Do not put HOT items directly on furniture surface.
- Do not clean furniture with HARSH cleansers or polish.
- Do not place furniture under DIRECT sunlight.
- Do not place furniture near heating or cooling vents.
- Do not write on furniture without a padded barrier to protect the surface.
- For indoor use only. Do not place furniture outside.
- Stains may be removed with mild soap solution and damp cloth.
- Dust and pick-up spills using a clean, non-colored, lint-free cloth.

Safety Information

- Identify all the parts and hardware.
- Do not discard of the packaging until you have checked that you have all of the parts and hardware required.
- Hardware package may have spare parts.
- Attention! This item contains small parts which can be swallowed by children and pets.
- Keep children and pets away during assembly.
- To avoid danger of suffocation, always keep plastic bags away from children and pets.
- We recommend that you assemble this unit on a carpeted floor to avoid scratches.
- We do not recommend the use of power tools for assembly as this could damage the unit. Only use manual tools.

COMPONENTS



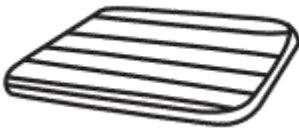
A: Seat Back (x1)



B: Legs (x2)



C: Front Panel (x1)



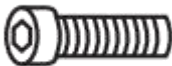
D: Seat (x1)



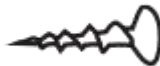
E: Screw (x4)
6 x 13mm



F: Allen Key (x1)



G: Screw (x2)
6 x 40mm

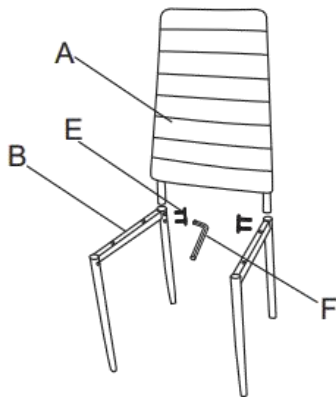


H: Pointed Screw (x4)
4 x 42mm

INSTALLATION

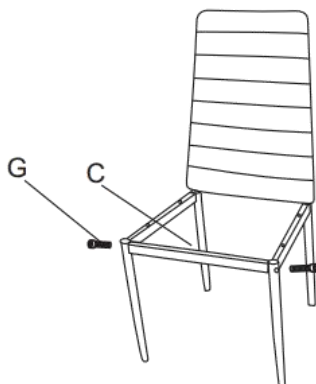
Step 1

Align and insert the seat back (A) into the two holes of the chair legs (B) as shown, then tighten them with screws (E) using Allen key (F).



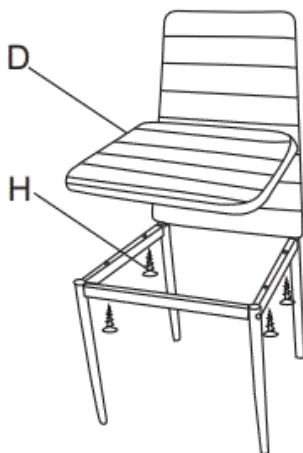
Step 2

Assemble the front panel (C) between two legs (B) with screws (G) using Allen key (F).



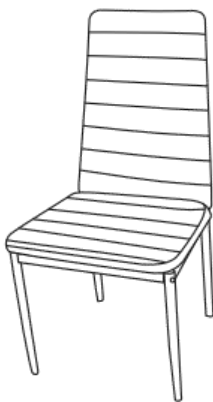
Step 3:

Attach the seat (D) to the legs (B) with pointed screws (H) as shown in the figure.



Step 4:

Completed.



CLEANING & CARE

- Wipe regularly with clean water and a damp, clean, soft cloth.
- General cleaning can be done as needed with a mild detergent and water solution.
- Always rinse with clean water and dry. For heavy soiling, dampen a soft cloth or soft bristle brush. Use care as scrubbing can damage the surface.
- More difficult stains can be treated, but this should be occasional, not daily cleaning.
- ANY cleaning solution used must be removed with clean water and a clean cloth. Cleaning residue left on the material can cause it to dry out and crack, or affect the color.
- DO NOT use any cleaners with corrosive ingredients (lye, acids or ammonia).