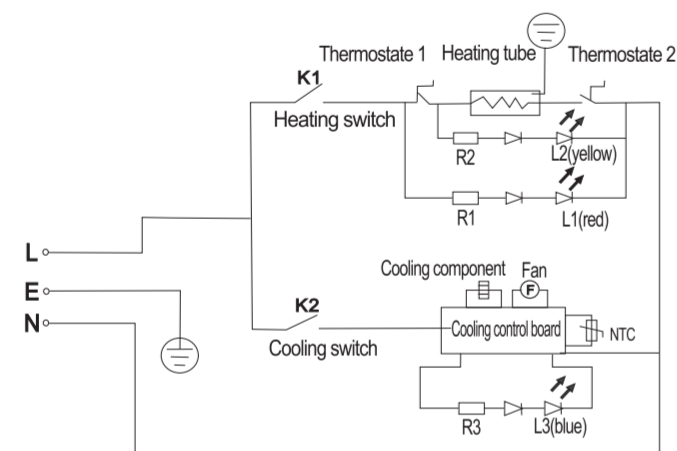


### CIRCUIT ILLUSTRATION



### WARNING

The instructions shall state the substance of the following:  
This appliance is not intended for use by persons (including children) with reduced physical, sensory or mental capabilities, or lack of experience and knowledge, unless they have been given supervision or instruction concerning use of the appliance by a person responsible for their safety.

Children should be supervised to ensure that they do not play with the appliance.

Do not make any changes or damage to the cooling system. Any changes or maintenance to the cooling system should be done by qualified organization.

## WATER DISPENSER INSTRUCTION MANUAL

PLEASE READ THIS INSTRUCTION  
MANUAL THOROUGHLY BEFORE USING

### INSTALLATION AND PLACEMENT

- The recommended placement of the dispenser is indoors, away from direct sunlight and excessive dampness.
- Place the dispenser on a flat and stable surface.
- Place the dispenser in a well-ventilated area. The unit should be at least 6 inches away from any wall.
- Placement of the unit should be in an area away from harmful gases and excessive heating sources.

### OPERATION

- Place the drinking water bottle after confirming the cold water baffle to be securely in place.
- Drain water from hot water faucet after filling the dispenser with drinking water. CAUTION: Do not connect the power source until water comes out of the hot water faucet.
- Turn red switch on, the heating indicator will light and the unit begins to heat. Turn green switch on, the cooling indicator will light and process begins. Please select whether or not you want the hot water or cold water function on.
- When red light goes out automatically, the temperature of the hot water comes up to 90°C or so. If the temperature is lower than 85°C, the red light will be on automatically and another process of heating begins.
- When the green light goes out automatically, the temperature of cold water is about 15°C.
- If the dispenser will not be used for a long period of time, completely drain the water in the hot water tank by opening the hot water drainage cap located at the rear side of the dispenser.

### PRECAUTIONS

- Use drinking water only.
- The unit is equipped with a grounded plug. Do not alter or change the plug in any way.
- Never turn on heating switch when there is no water.
- Hot water is hot enough to cause injuries. Please keep your children away from the hot water faucet.
- Please turn off the power switch if you don't use it.
- In case of any dangers from instable fixing, it is strictly required to install and fix the machine according to the instruction manual.
- If the wire is damaged, it must be changed by professional or the like from the maintenance department of manufacturer factory in case of any dangers.

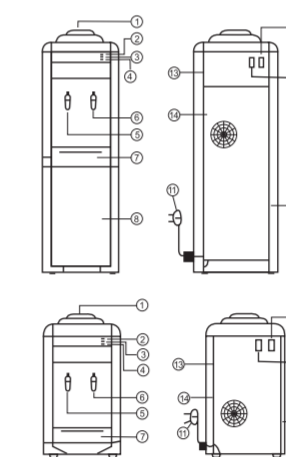
### CLEANING AND MAINTENANCE

- Clean the main body and/or its interior with a piece of clean wet cloth.
- Do not clean it with a chemical cleanser.
- After cleaning it, completely dry it. Disconnect the power supply during cleaning in case of dangers from electric shocks.

### TECHNICAL DATA

|                        |            |
|------------------------|------------|
| Power source           | 110V~ 60Hz |
| Heating power          | 500W       |
| Cooling power          | 75W        |
| Cold water temperature | ≤ 15°C     |
| Hot water temperature  | ≥ 90°C     |
| Shock protect type     | I          |

### STRUCTURE



| No. | Name                      |
|-----|---------------------------|
| 1   | Water guard               |
| 2   | Power indicator(green)    |
| 3   | Heating indicator(red)    |
| 4   | Cooling indicator(yellow) |
| 5   | Hot water faucet(red)     |
| 6   | Cold water faucet(blue)   |
| 7   | Drip tray                 |
| 8   | Door                      |
| 9   | Heating switch(red)       |
| 10  | Cooling switch(green)     |
| 11  | Power cord                |
| 12  | Drainage                  |
| 13  | Switch plank              |
| 14  | Back plank                |

★ Technical data are subject to change without notice