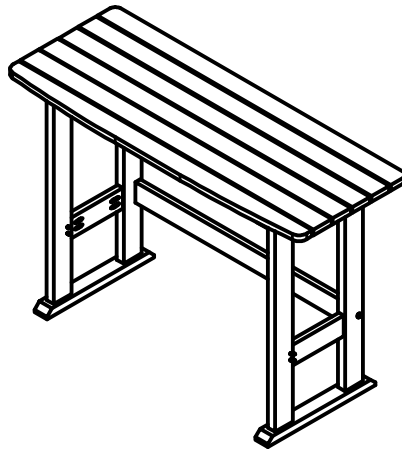


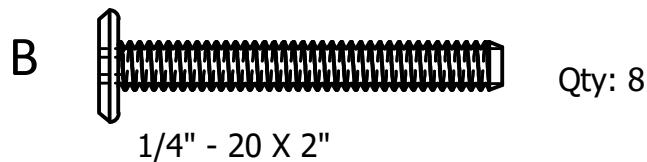
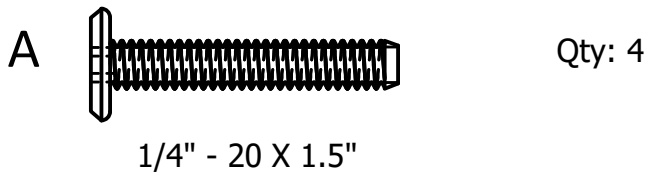
# Balcony Counter/Bar Height Table

## Assembly Guide



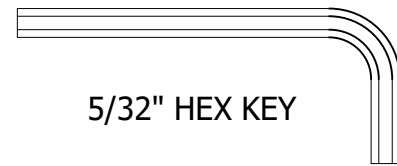
\*Actual Style May Vary from the One Pictured in this Guide

### HARDWARE INCLUDED



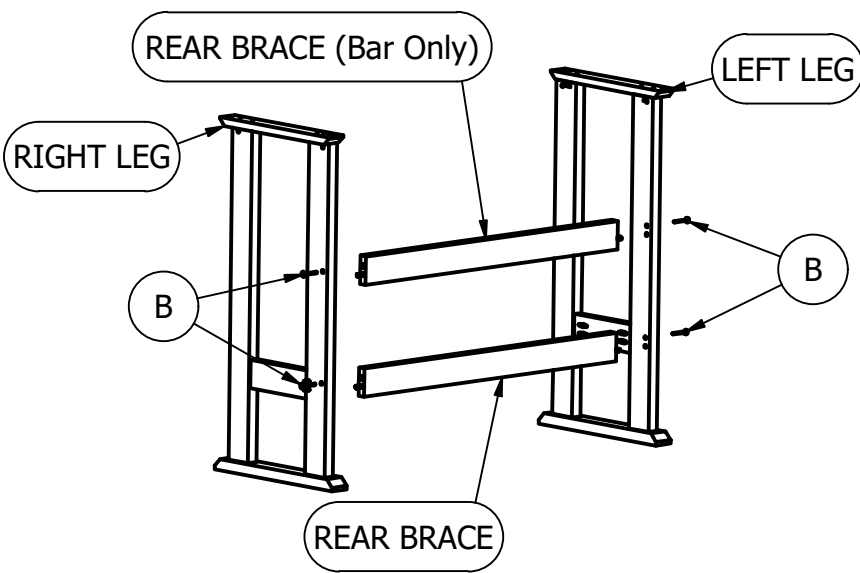
\*If a Counter Height Table was Purchased, there will be (2) Extra "B" Bolts

### TOOLS INCLUDED



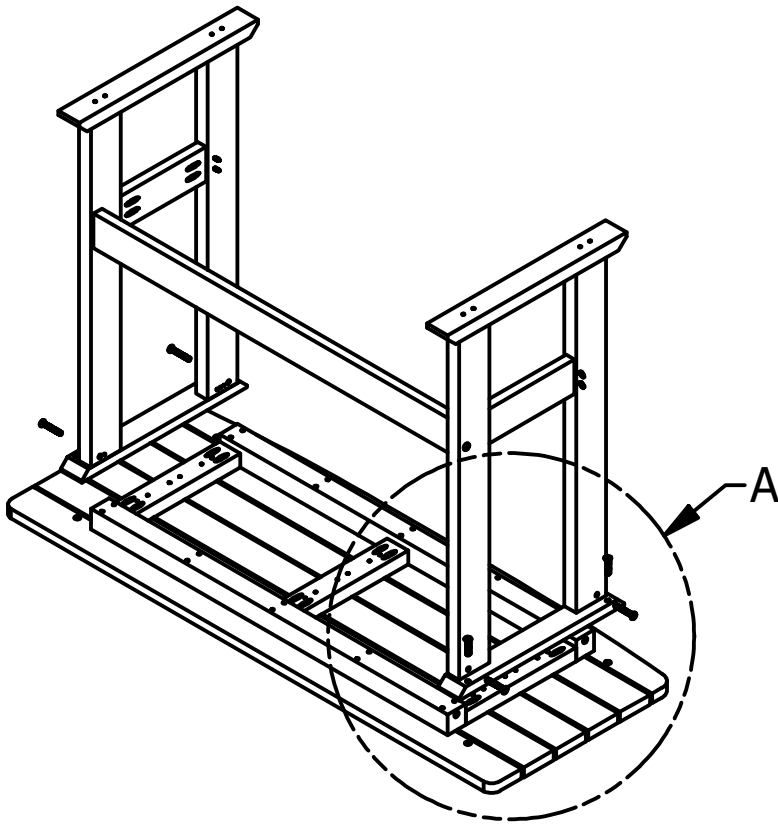
### IMPORTANT!

DO NOT fully tighten bolts until all bolts are started.



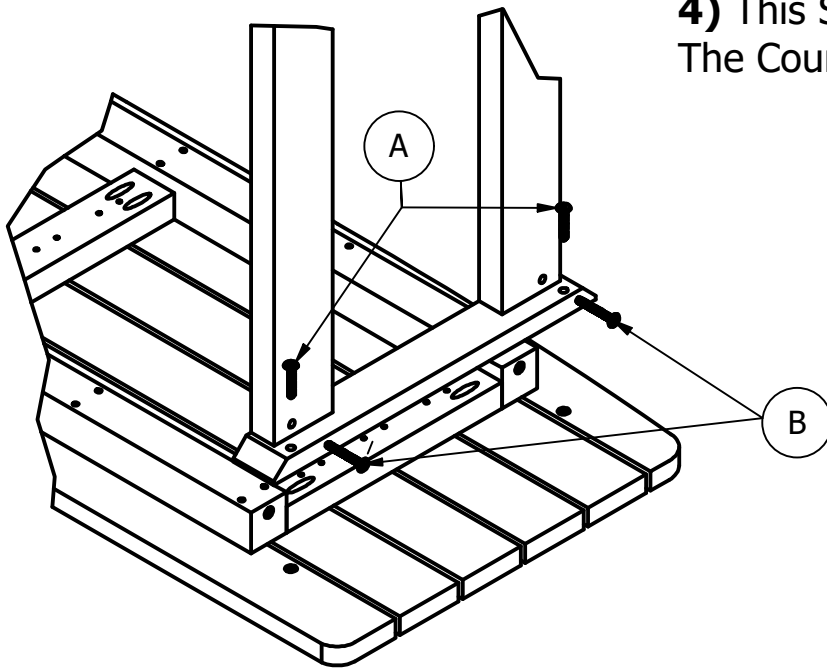
**1)** Install Rear Brace Between Right Leg & Left Leg Using "B" Bolts on Each Side as Shown.

**2)** For Bar Height Table, Repeat Step 1 For the Second Brace.



**3)** Turn Leg Assembly Over and Set on Table Top as Shown. Attach Leg Assembly to One Side of the Table Top Using (2) "A" Bolts and (2) "B" Bolts As Shown in Detail A. Repeat on Other Side.

**4)** This Step is The Same For Both The Counter And Bar Height.



DETAIL A