

VIVOHOME

THANK
YOU!

NOTE:

To continuously improve its products, VIVOHOME reserves the right to modify this information without prior notification.

For any questions regarding assembly, please watch the video on the product page or contact our customer service. Our customer service will gladly assist you with any additional questions, comments, or concerns.

Thank you for using VIVOHOME products in your home!

Thank You for Purchasing from

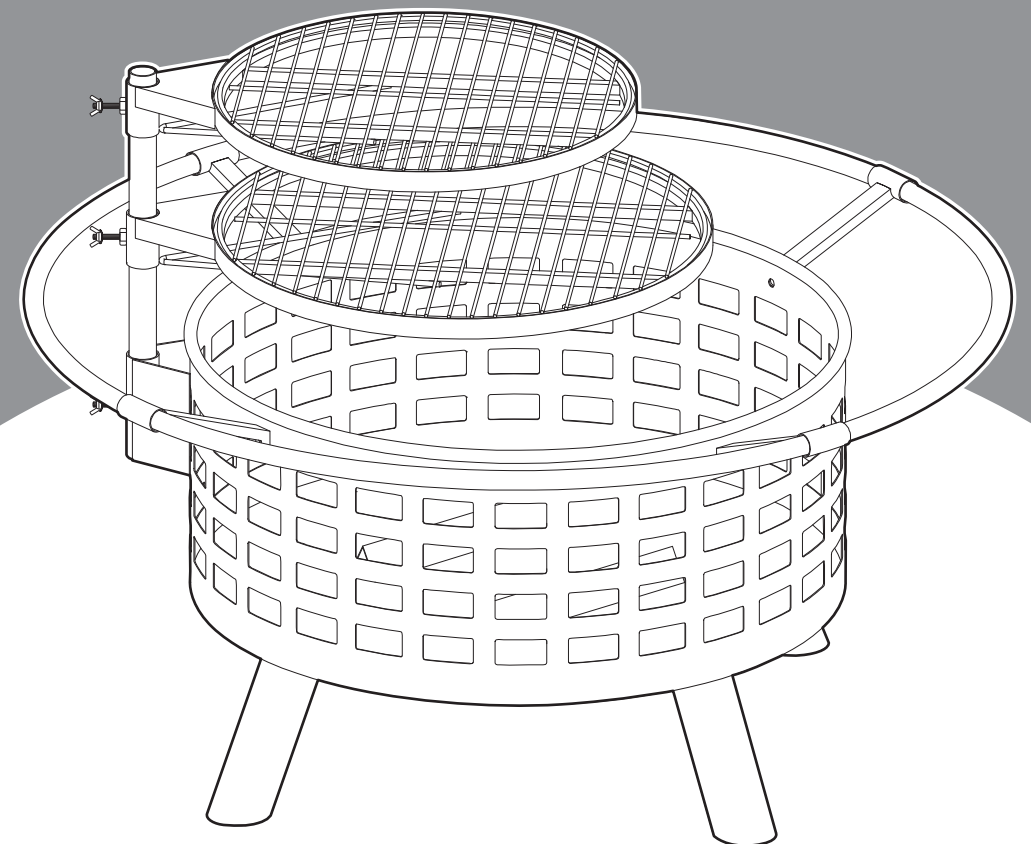
VIVOHOME

Made in China

VIVOHOME

HOW-TO

USER MANUAL



36-Inch Fire Pit with 2 Grills

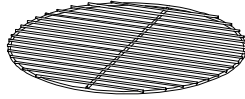
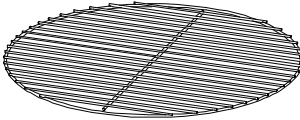

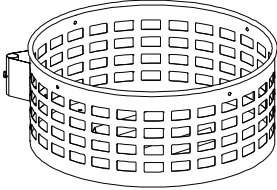
SECTION A
Parts List


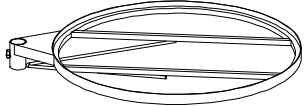

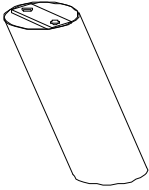


Assembly is EASY!

**WE WANT
 YOU TO
 ENJOY LIFE
 AT HOME**

GO TO THE PRODUCT LISTING PAGE
 FOR AN INSTRUCTIONAL VIDEO!

Item No.	Reference Image	Qty.
A		x1
C		x1
E		x1
G		x1

Item No.	Reference Image	Qty.
B		x1
D		x1
F		x4
H		x4

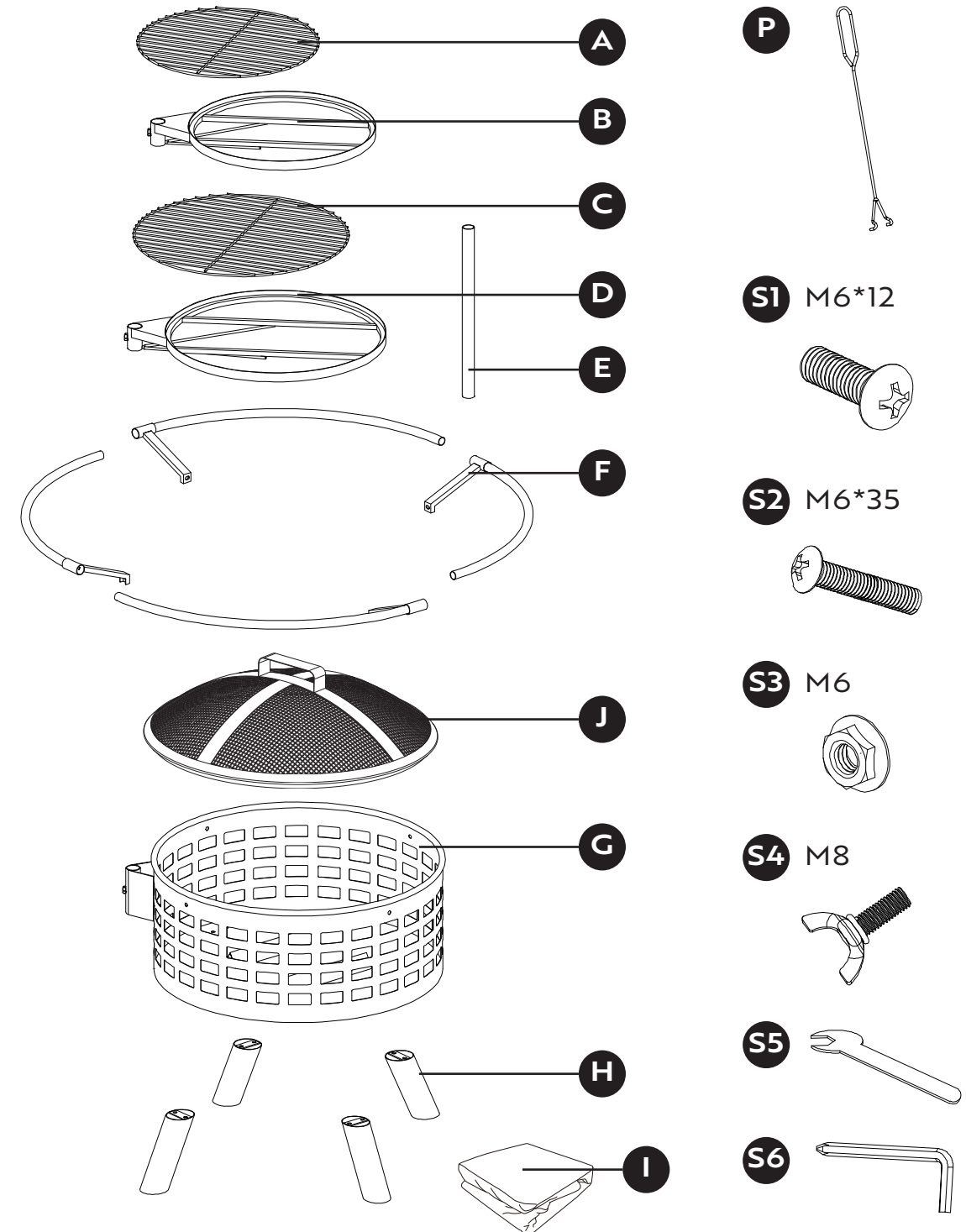
SECTION A
Parts List



Item No.	Reference Image	Qty.
I		x1
P		x1
S2		x4
S4		x3
S6		x1

Item No.	Reference Image	Qty.
J		x1
S1		x12
S3		x4
S5		x1

SECTION B
Explosive View

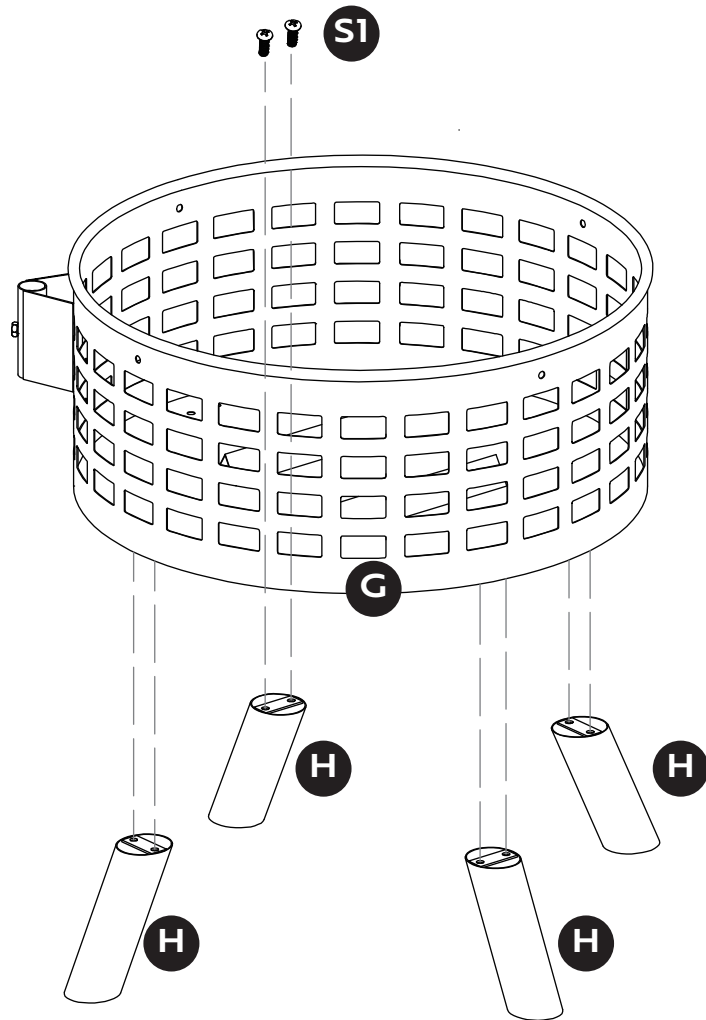


Assembly Steps



STEP 1 **G** x 1 pc. **H** x 4 pcs. **S1** x 8 pcs.

Attach the Legs (H) to the Fire Bowl (G) by using M6x12mm Bolts (S1) and Allen Key (S6). Then tighten all bolts.

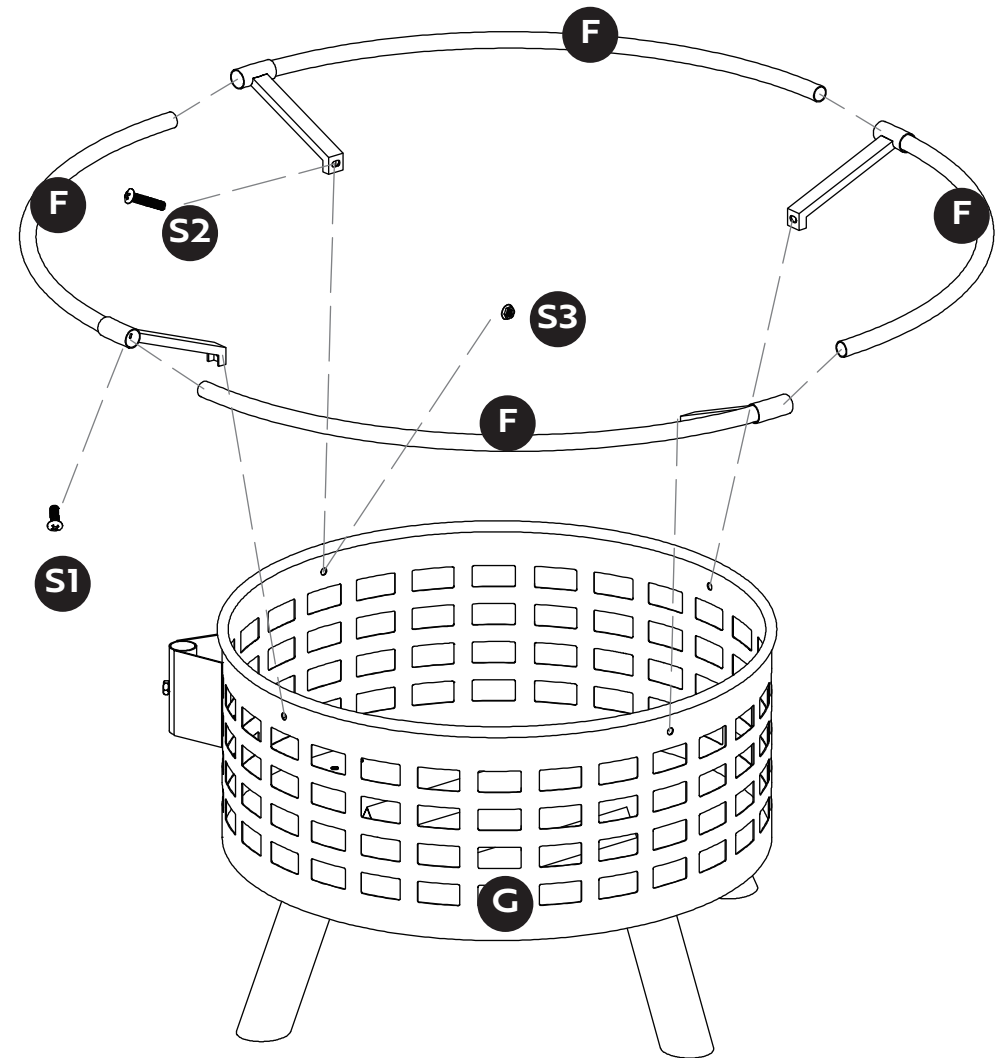


Assembly Steps



STEP 2 **F** x 4 pcs. **S1** x 4 pcs. **S2** x 4 pcs. **S3** x 4 pcs.

Connect 4PCS of Outer Ring (F) to a round ring by using M6x35mm Bolts (S2), M6 Nuts (S3) and Wrench (S5). Then fix Outer Ring (F) by using M6x12mm Bolts (S1) and Allen Key (S6).

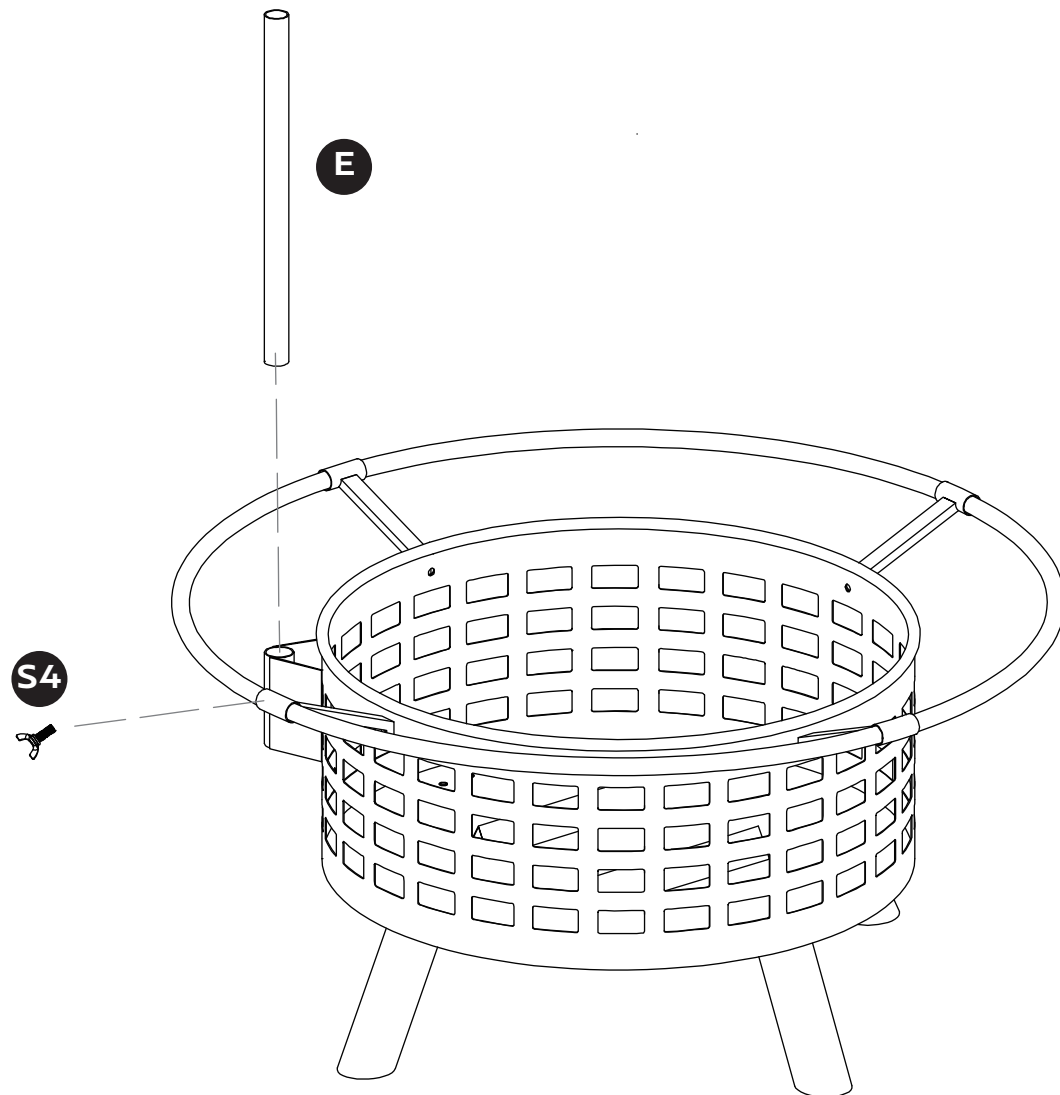


Assembly Steps



STEP 3 E x 1 pc. S4 x 1 pc.

Insert the Extension Lever (E) into the hole of bowl, tighten the Butterfly Screw (S4) to fix the height.

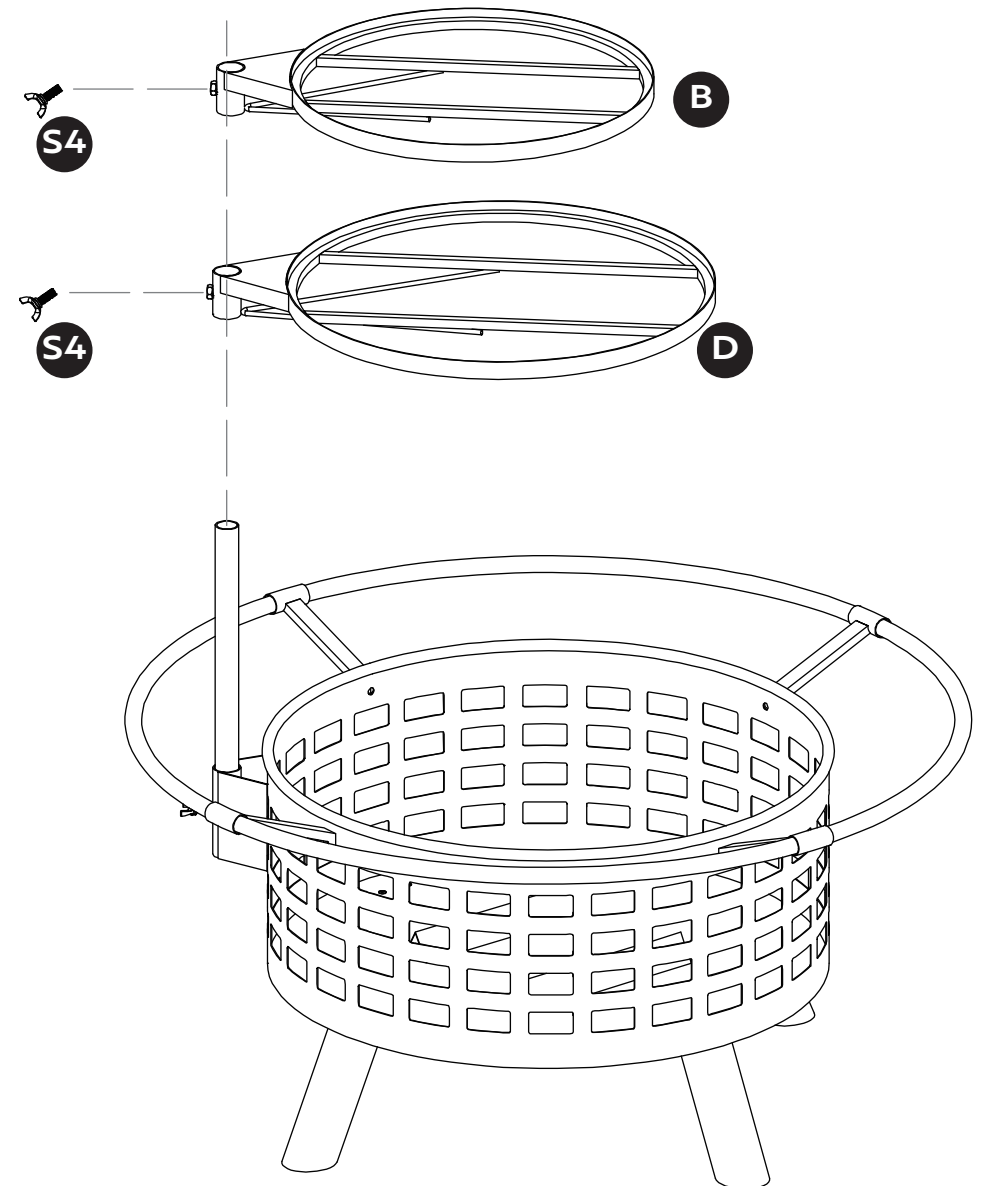


Assembly Steps



STEP 4 B x 1 pc. D x 1 pc. S4 x 2 pcs.

Insert the Small Grill Rack (B) and Large Grill Rack (D) into the extension lever, and secure them at the desired height using Butterfly Screw (S4).

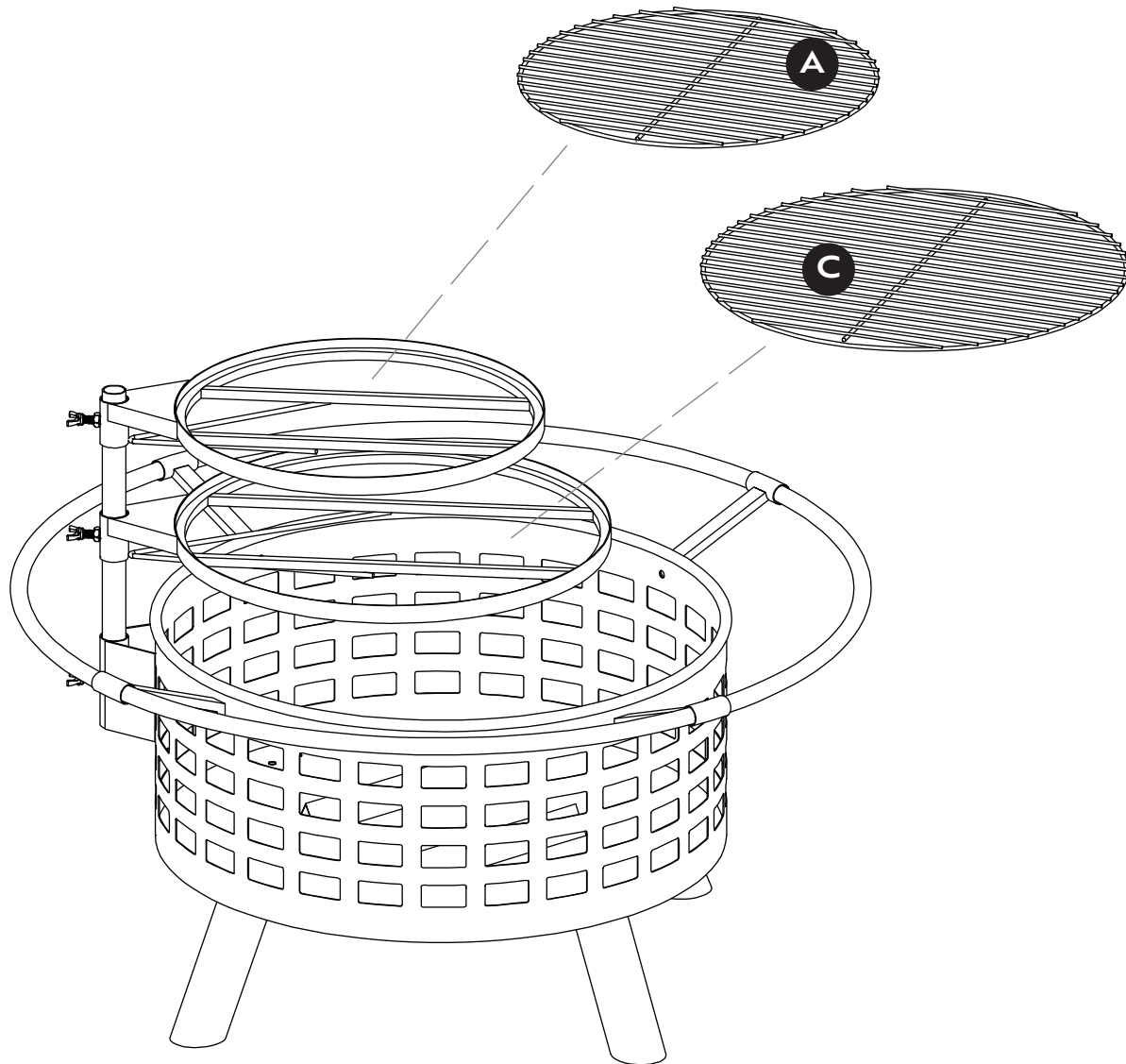


Assembly Steps



STEP 5 **A** x 1 pc. **C** x 1 pc.

Put on a Small Cooking Grill (A) and Large Cooking Grill (C) for cooking use at any time.

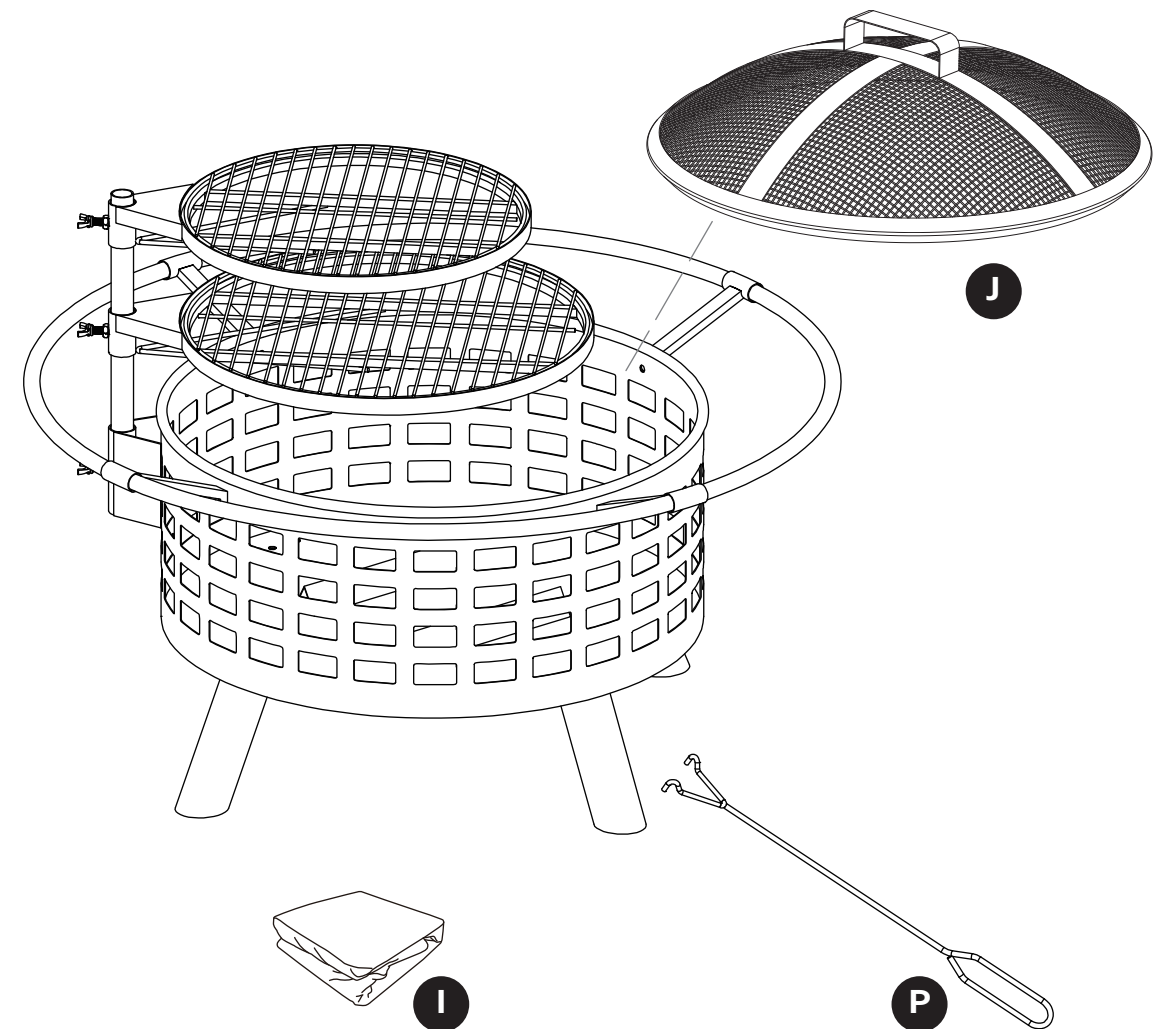


Assembly Steps



STEP 6 **J** x 1 pc. **I** x 1 pc. **P** x 1 pc.

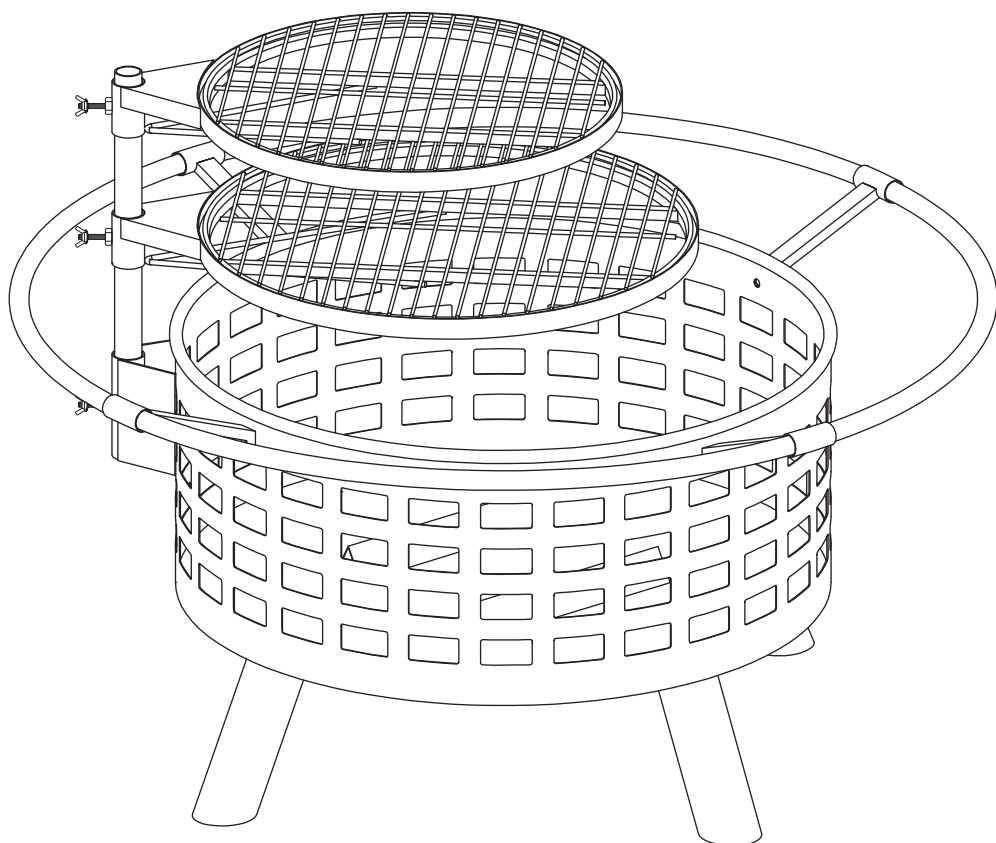
Place Cover (J) on top of fire bowl when burning only firewood. Place Poker (P) beside fire pit for use as needed. Place Rain Cover (I) when the fire pit not in use.





STEP 7

Installation is complete.



The VIVOHOME warranty program is our commitment to you. We are committed to providing you with a high-quality product that meets your needs and expectations. To demonstrate our confidence in the durability and performance of our products, we offer the following warranty.

WARRANTY COVERAGE

This warranty program applies to any orders, purchases, receipts, or use of any products sold by VIVOHOME and is valid for a period of 1 year from the date of purchase. However, please note that this warranty period is only valid for the original order. If you receive a replacement order during the warranty period, it will not include a separate warranty period.

WARRANTY EXCLUSIONS

This warranty does not cover damage resulting from misuse, accident, unauthorized modification, or any other circumstances not directly related to the manufacturing and design of the product, including but not limited to:

- Parts lost during use.
- Normal wear and tear of products or parts.
- Incorrect installation (such as using the wrong voltage) or assembly.
- Exceeding the bearing capacity of the product.
- Use under extremely harsh conditions.
- Improper cleaning or maintenance.
- Damage caused by any reason other than the intended use of the product.
- Indirect loss or damage caused by the product.



HOW TO MAKE A WARRANTY CLAIM

If you find any defects that affect the use of the product or if the product stops working and cannot be repaired during the warranty period, please contact our customer service team at our email or via Amazon & app' s direct messaging service as soon as possible. Provide the following information to expedite the process:

- Order number
- Images and/or videos illustrating the issue
- A detailed description of the problem

VIVOHOME will provide technical support, replacement, refund, or other solutions based on the nature of the issue. If you wish to return the original package for any reason, please contact us for confirmation before proceeding. You can expect to receive a response within 48 hours.

Thank you for choosing VIVOHOME. We are committed to ensuring the quality and satisfaction of your purchase. If you have any questions or need assistance, please do not hesitate to contact our customer service team.