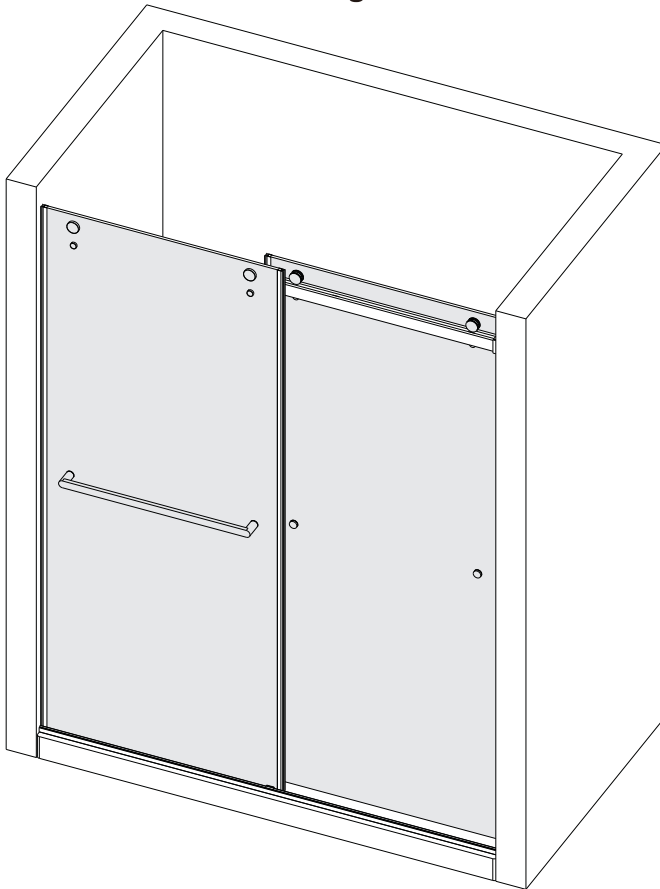


# Shower Door Instruction Manual



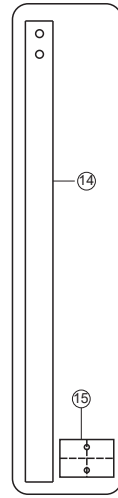
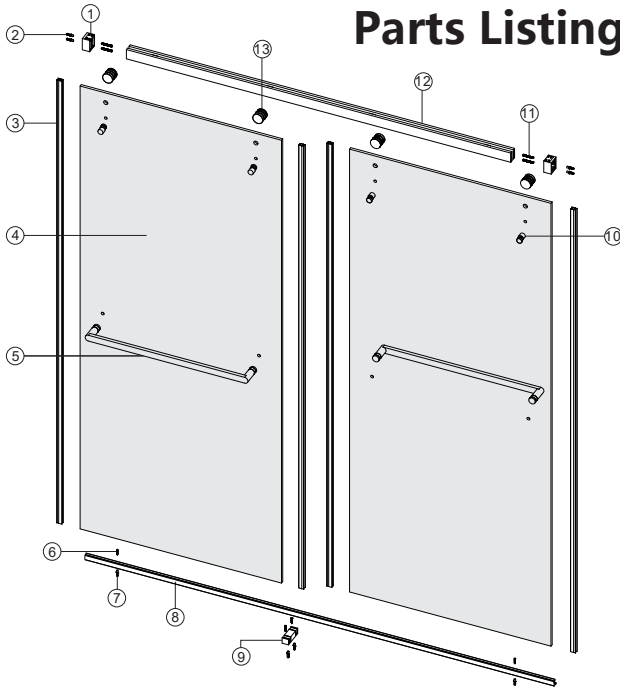
Installation guide video



TEL: **(800)209.3199** (MON-FRI 9:00am-5:00pm Eastern Time)  
Email: [help@EverythingSupport.com](mailto:help@EverythingSupport.com)

---

# Parts Listing



Installation of fixtures - positioners


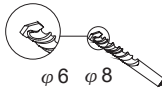




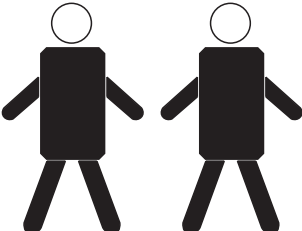
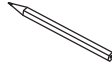


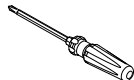
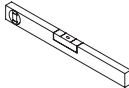

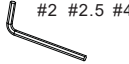



No.	Name	Parts	Quantity
01	Wall Bracket		2PCS
02	8mm Wall Plug		4PCS
03	Seal		4PCS
04	Tempered glass		2PCS
05	Handle		2PCS
06	Screw ST4x25		4PCS
07	6mm Wall Plug		4PCS
08	Anti-Splash Threshold		1PC

No.	Name	Parts	Quantity
09	Guide Block		1PC
10	Anti-jumping knob		4PCS
11	Screw ST5x40		4PCS
12	Rail		1PC
13	Roller		4PCS
14	Mounting Template for Wall		1PC
15	Mounting Template for Floor		1PC
16	Allen Key		3PCS
17	01 Hole Plugs		4PCS

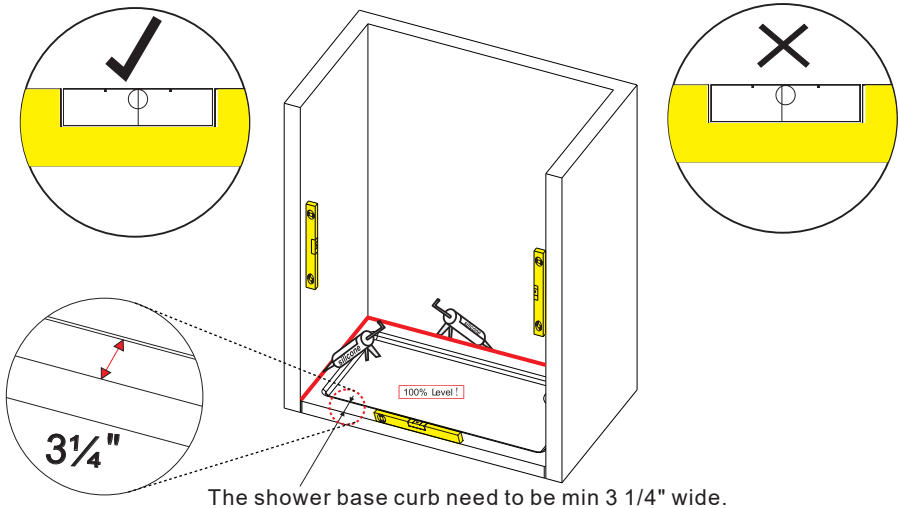
# Tools Required

(Please bring your own tools)

		      <p>You need two people work together to install this product.</p>
		
 Rubber Hammer		
		
 #2 #2.5 #4		


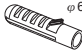
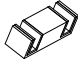
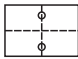
## STEP 1

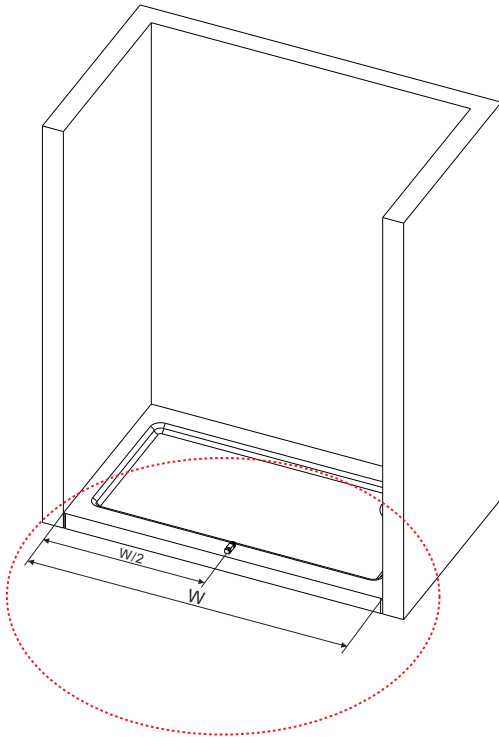
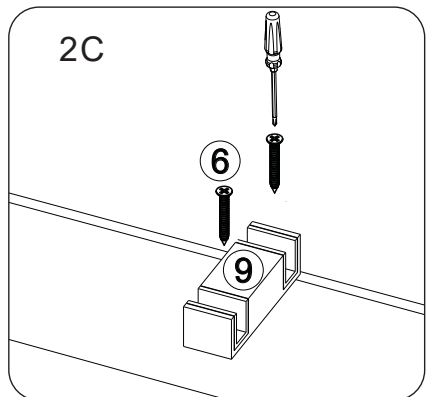
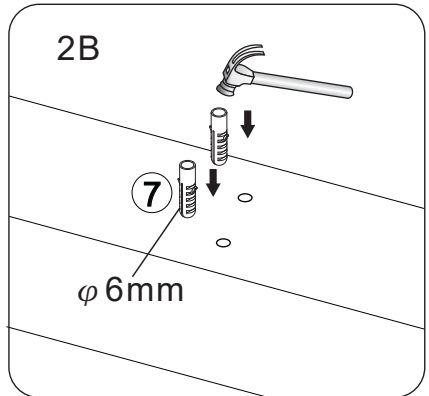
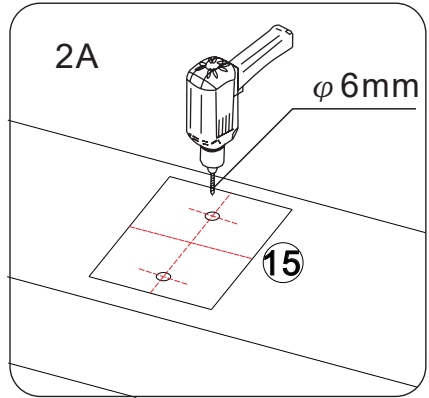
Before installation, please measure with a level to ensure that the installation space is level and vertical.



# STEP 2

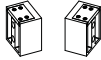


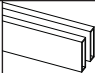



Note: Make sure (15) is centered horizontally.

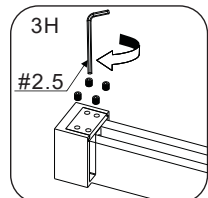
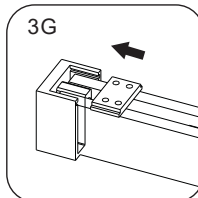
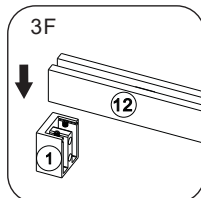
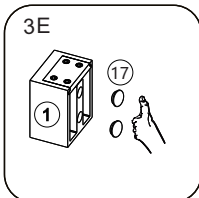
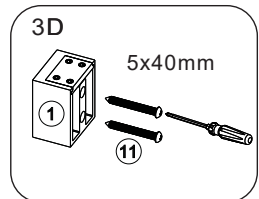
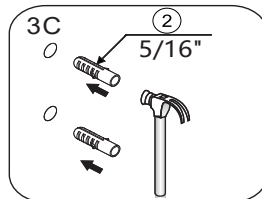
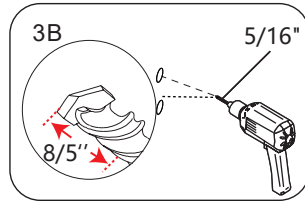
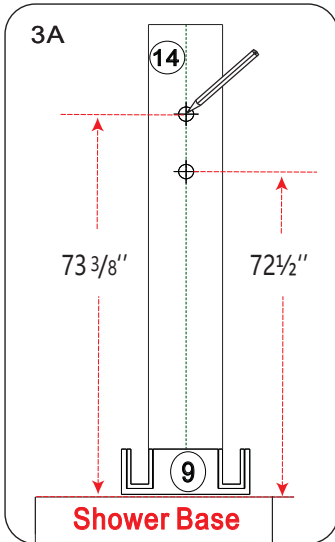
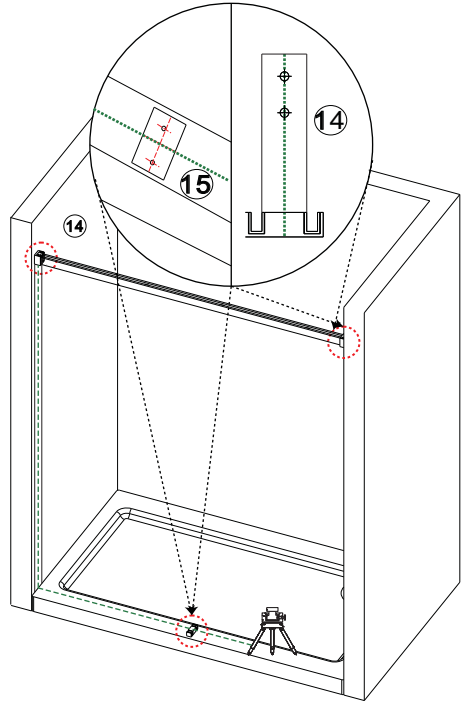
Required Tools	06	 ST4X25	2PCS
	07	 $\varnothing 6\text{mm}$	2PCS
	09		1PC
	15		1PC



# STEP 3




Note: Using a laser level, make sure the centerline of the laser path (15) and the center point of the (14) hole.

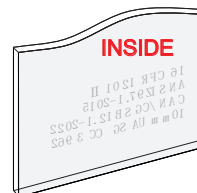
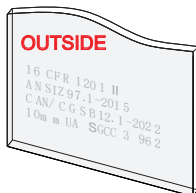
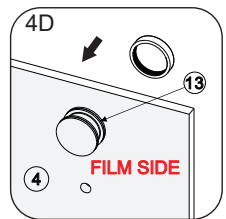
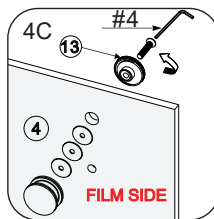
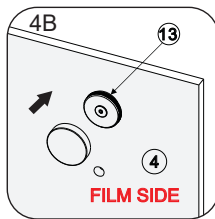
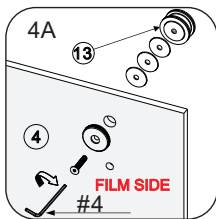
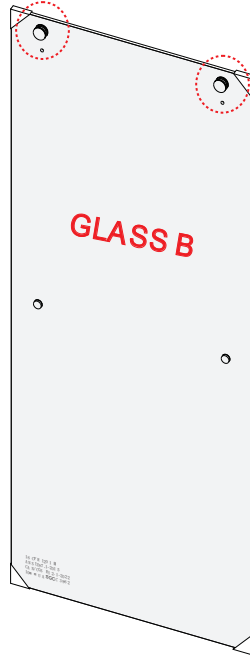
Required Tools	01		2PCS
	02	 $\varnothing 8\text{mm}$	4PCS
	11	 ST5X40	4PCS
	12		1PC
	14		1PC
	16		3PCS
	17		4PCS



# STEP 4

Note: Glass corner guards can be removed after installation is complete.  
Pay attention to the front and back side of the glass when installing.

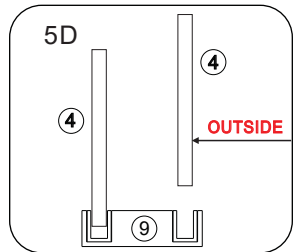
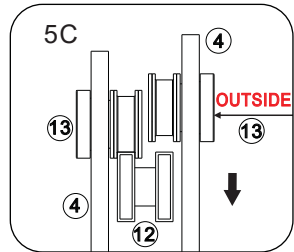
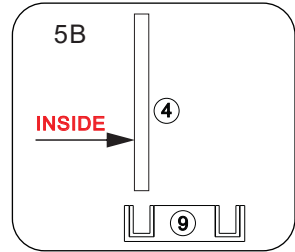
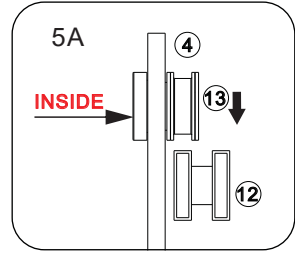
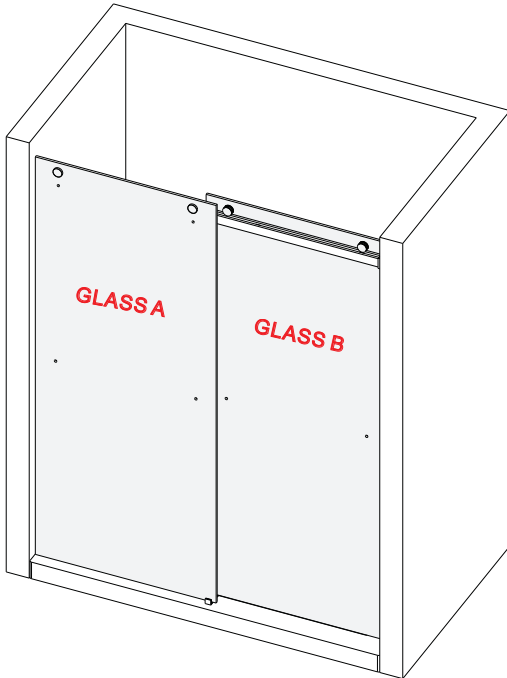
Required Tools								
④		2PCS	⑬		4PCS	⑮		3PCS





# STEP 5

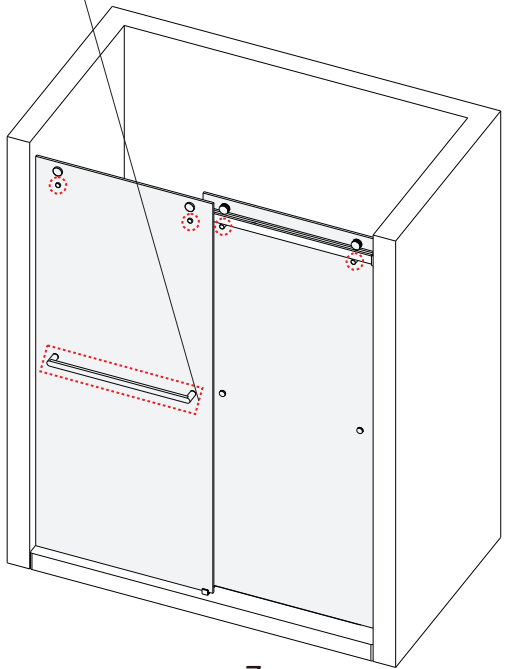
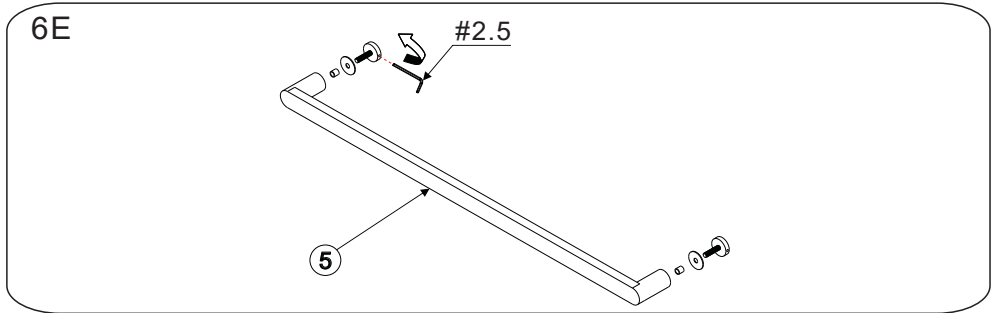
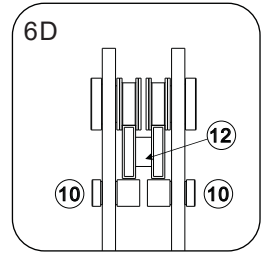
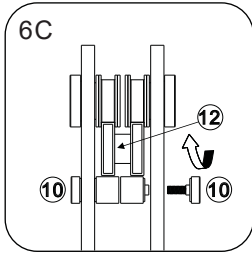
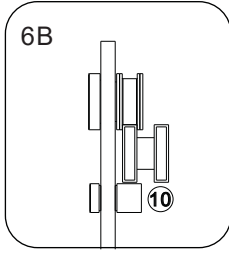
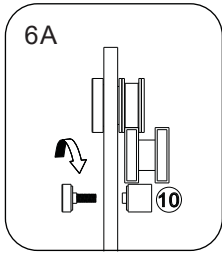
Note: It is recommended to install the inside shower door first.

Required Tools	04		2PCS
	09		1PC
	12		1PC
	13		4PCS



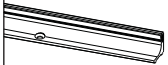

# STEP 6

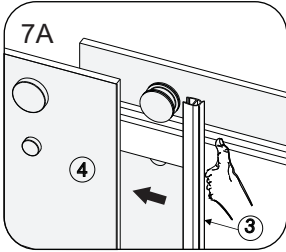
Required Tools	⑩		4PCS	⑮		2PCS
----------------	---	---	------	---	---	------



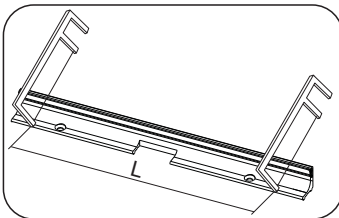
# STEP 7

Tip: Tap (3) firmly with your palm from top to bottom to get it firmly set on (4).

Required Tools				
①⑧		1PC	②③	 4PCS

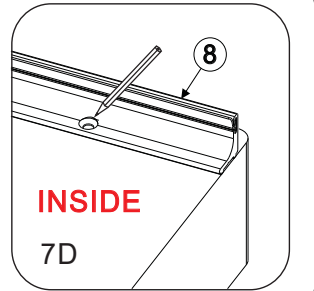
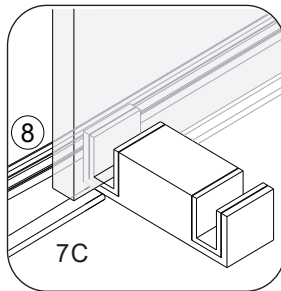
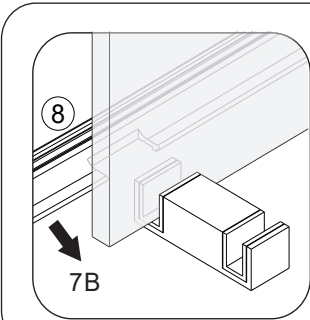
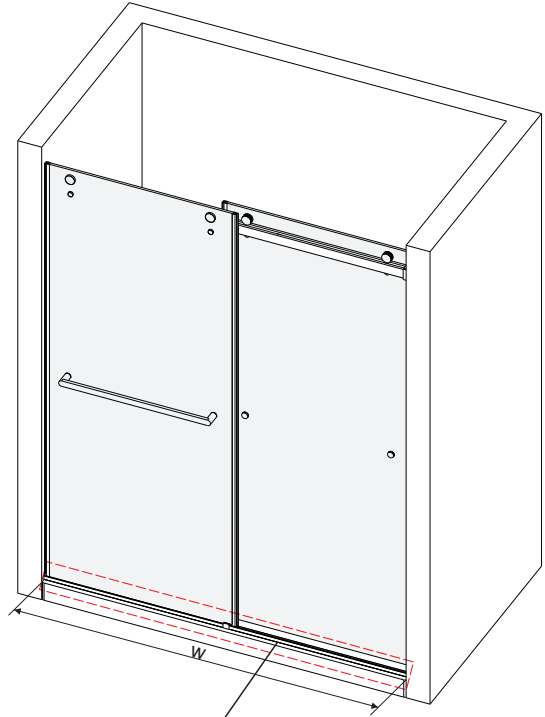


**WARNING!**  
 Make sure to have a distance (W) from the left side tile to the right side tile:  
 W Max: 1524mm (60")  
 If W < 1524 (60") you can cut the support bar to adequate size. Only cut the side with no holes!



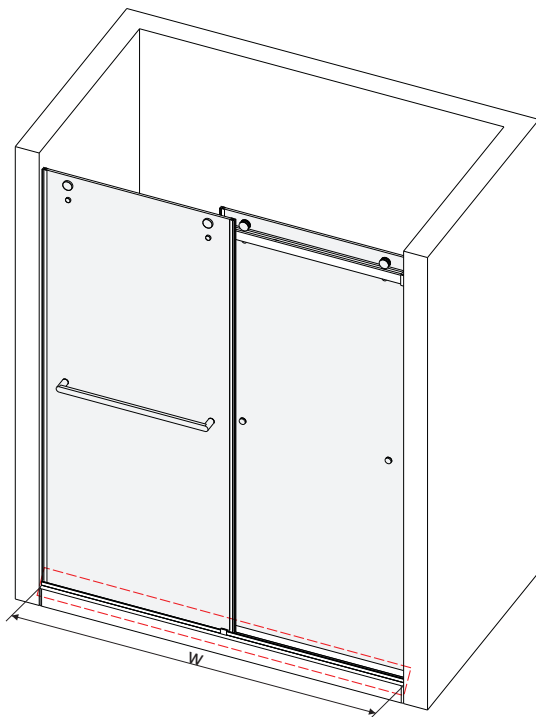
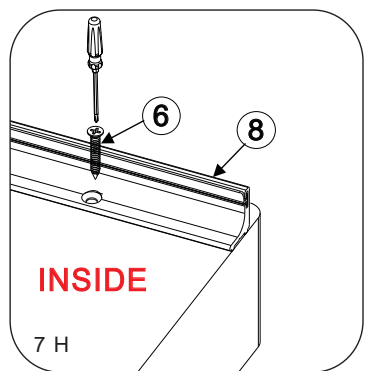
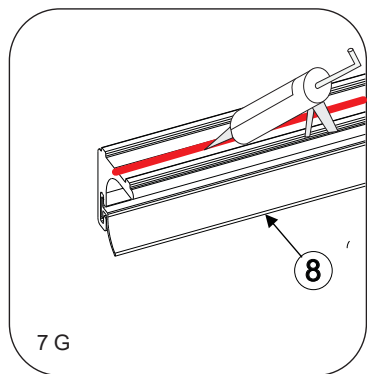
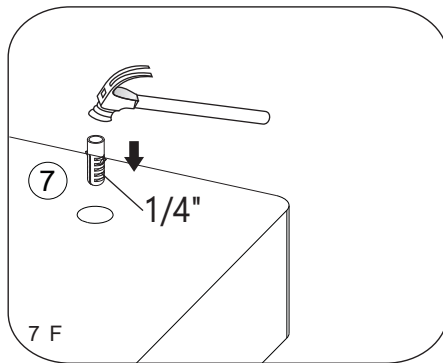
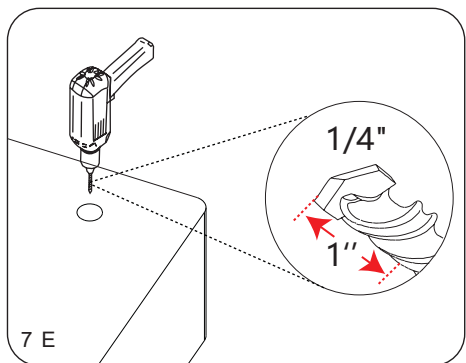
$L=W$

**Cut equally from each end**



### Required Tools

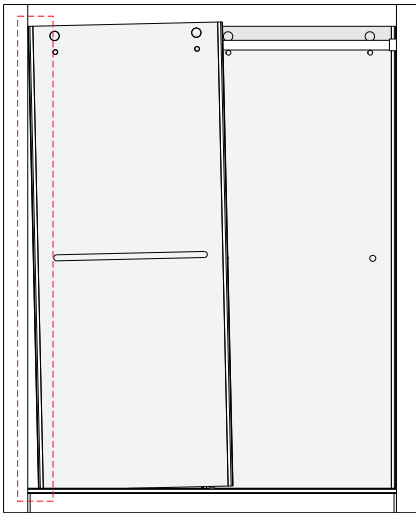
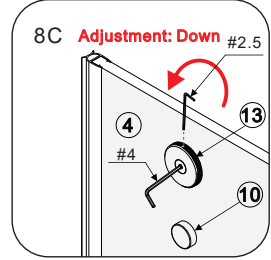
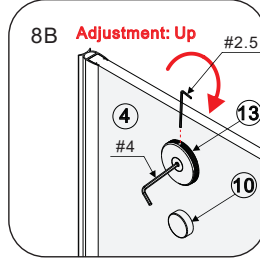
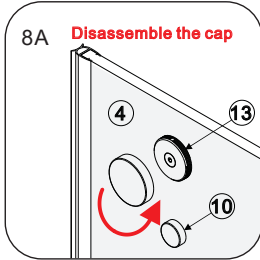
06	ST4X25	2PCS	07	∅6mm	2PCS	08		1PC
----	--------	------	----	------	------	----	--	-----



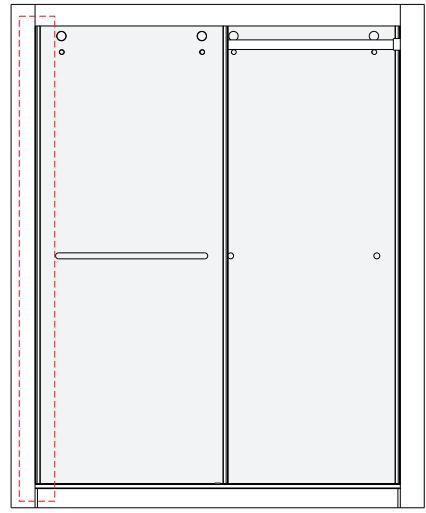
# STEP 8

Turn (13) clockwise and the shower door rises; turn (13) counterclockwise and the shower door falls.

Required Tools					
(13)		4PCS	(16)		3PCS



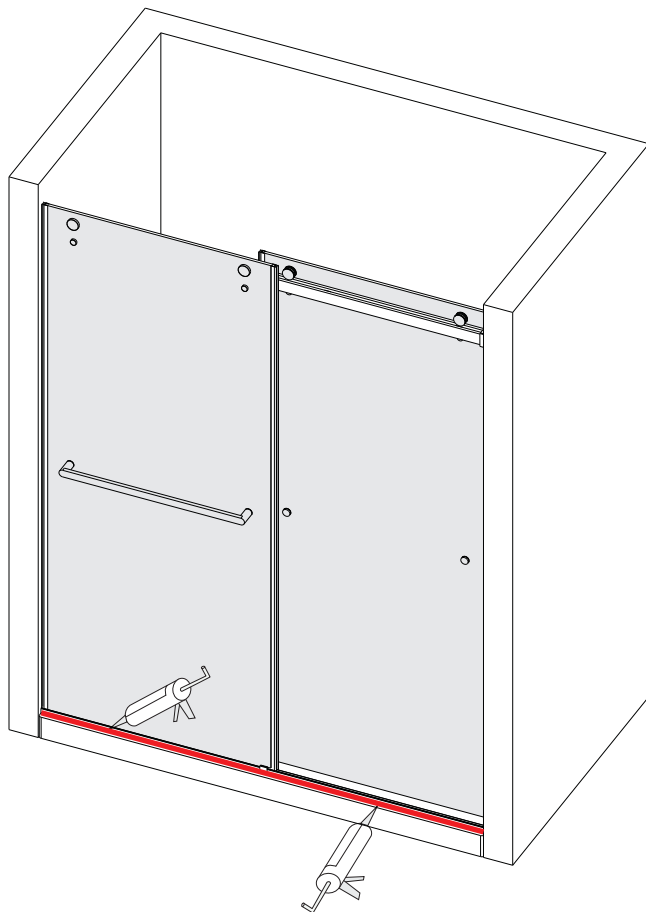
The problem arises on both sides



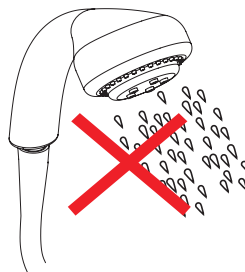
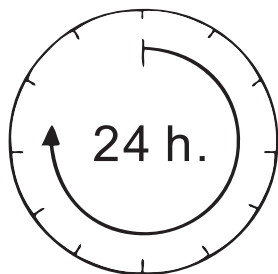
Normal state



# STEP 9



Note: 24 hours before use.



# AFTER-SALES SERVICE CARD

We sincerely thank you for trusting our service and our products, and may this product add enrichment to your home. We guarantee that the product has undergone strict quality inspection and meticulous packaging. If you encounter any issue regarding either shipping or the product, please feel free to contact us at any time. We'd be more than happy to serve you wholeheartedly.

Yours Sincerely

- Please avoid harsh, corrosive and abrasive cleaners.
- Keep dry and avoid damp environments.



Installation guide video

***Customer Service:(800)209.3199(MON-FRI 9:00am-5:00pm  
Eastern Time) or contact help@EverythingSupport.com***

***Address: 3005 Breckinridge Blvd, Suite 200, Duluth, GA 30096***

---

If you have any questions or concerns please feel free to contact us. We're committed to providing our customers with the quality service.