
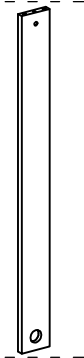
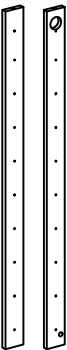
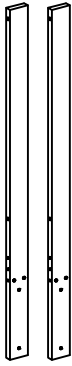














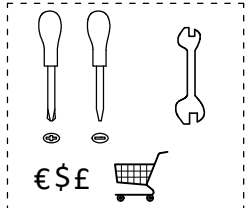



ASSEMBLY INSTRUCTIONS

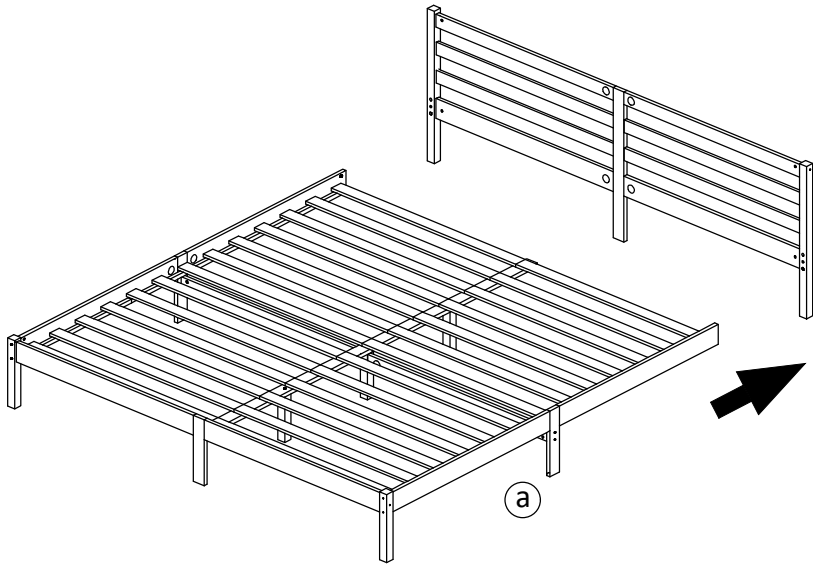
SKU	021	531	041	051	061	081	002
A 	x2	x2	x2	x2	x2	x2	x2
B 	$\frac{561 \times 90}{22.1 \times 3.5}$	$\frac{636 \times 90}{25.0 \times 3.5}$	$\frac{661 \times 90}{26.0 \times 3.5}$	$\frac{711 \times 90}{28.0 \times 3.5}$	$\frac{761 \times 90}{30.0 \times 3.5}$	$\frac{861 \times 90}{33.9 \times 3.5}$	$\frac{961 \times 90}{37.8 \times 3.5}$
C 	$\frac{561 \times 58}{22.1 \times 2.3}$	$\frac{636 \times 58}{25.0 \times 2.3}$	$\frac{661 \times 58}{26.0 \times 2.3}$	$\frac{711 \times 58}{28.0 \times 2.3}$	$\frac{761 \times 58}{30.0 \times 2.3}$	$\frac{861 \times 58}{33.9 \times 2.3}$	$\frac{961 \times 58}{37.8 \times 2.3}$
	x2	x2	x2	x2	x2	x2	x2

SKU	021	531	041	051	061	081	002
D 	x1	x1	x1	x1	x1	x1	x1
E 	x8	x10	x10	x10	x12	x14	x16
F 	$\frac{561 \times 58}{22.1 \times 2.3}$ x2	$\frac{636 \times 58}{25.0 \times 2.3}$ x2	$\frac{661 \times 58}{26.0 \times 2.3}$ x2	$\frac{711 \times 58}{28.0 \times 2.3}$ x2	$\frac{761 \times 58}{30.0 \times 2.3}$ x2	$\frac{861 \times 58}{33.9 \times 2.3}$ x2	$\frac{961 \times 58}{37.8 \times 2.3}$ x2

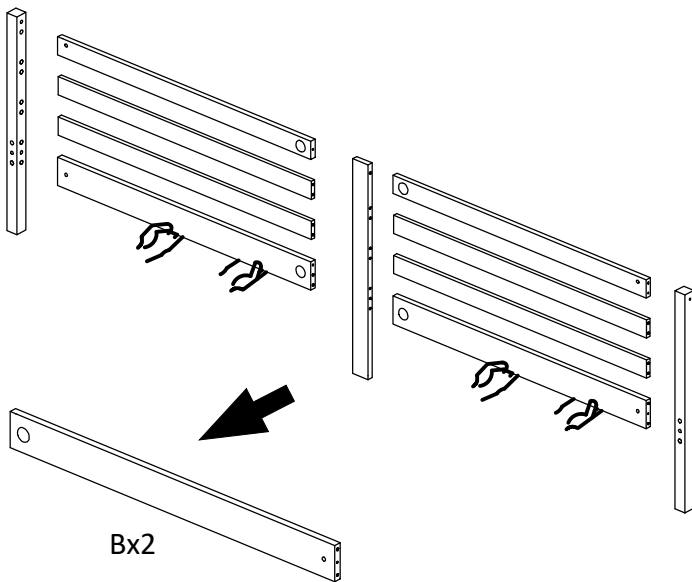
SKU	021	531	041	051	061	081	002
G 	x1	x1	x1	x1	x1	x1	x1
H 	x3	x3	x3	x3	x3	x3	x3
I  M6x $\frac{85}{3.3}$	x10	x10	x10	x10	x10	x10	x10
J  M6x $\frac{60}{2.4}$	x2	x2	x2	x2	x2	x2	x2
K  M7x $\frac{60}{2.4}$	x2	x2	x2	x2	x2	x2	x2
L 	x12	x12	x12	x12	x12	x12	x12

SKU	021	531	041	051	061	081	002	
M 	x6	x6	x6	x6	x6	x6	x6	
N 	x6	x6	x6	x6	x6	x6	x6	
O 	x6	x6	x6	x6	x6	x6	x6	
P 	x12	x12	x12	x12	x12	x12	x12	
Q  M3.5x $\frac{28}{1.1}$	x16	x20	x20	x20	x24	x28	x32	
R 	x1	x1	x1	x1	x1	x1	x1	
								 x2

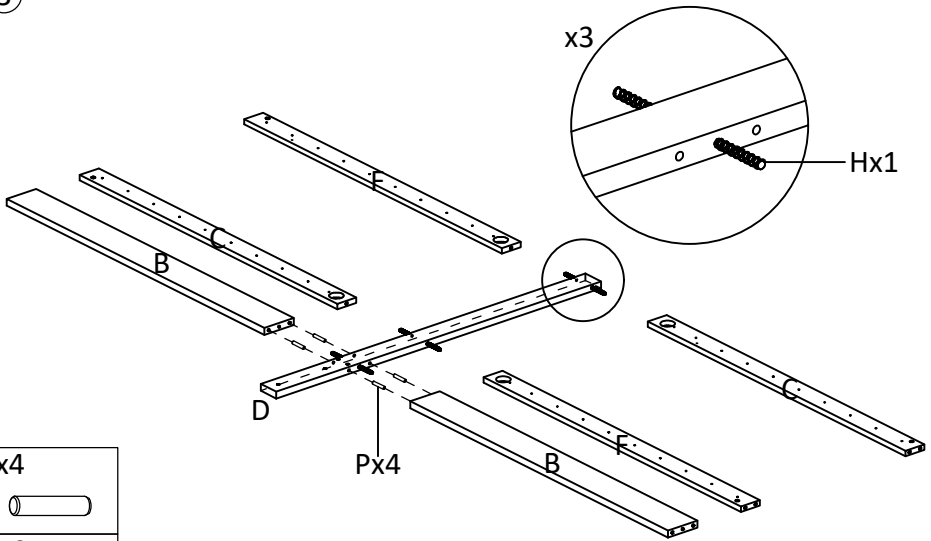
1



2



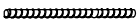
3



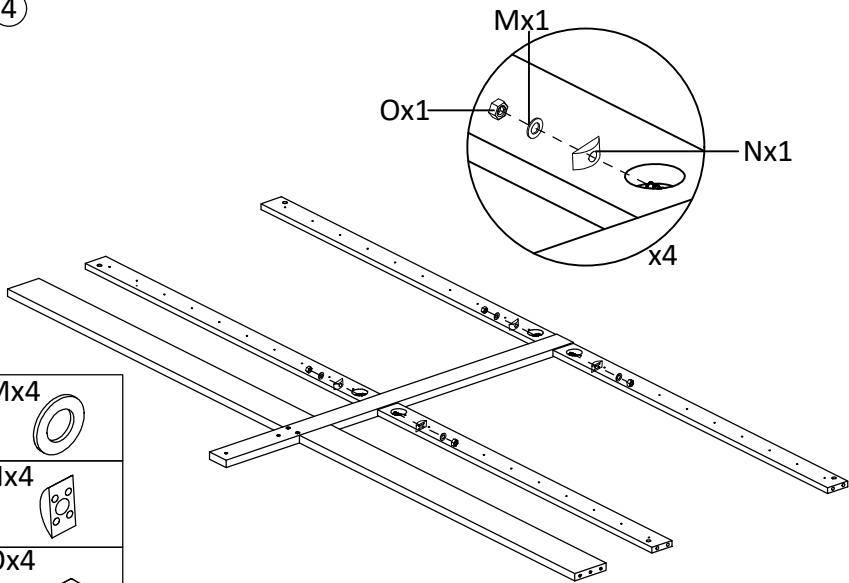
Px4



Hx3



4



Mx4

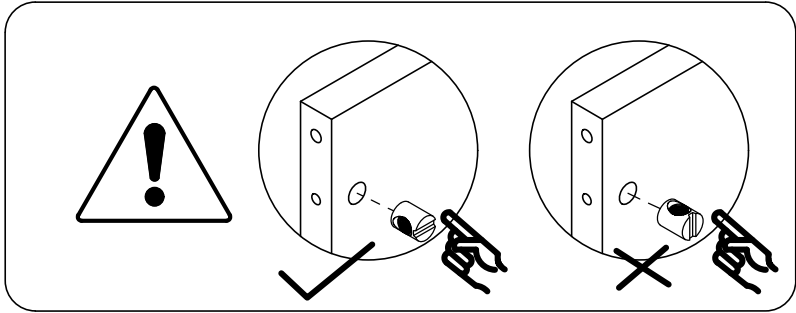


Nx4

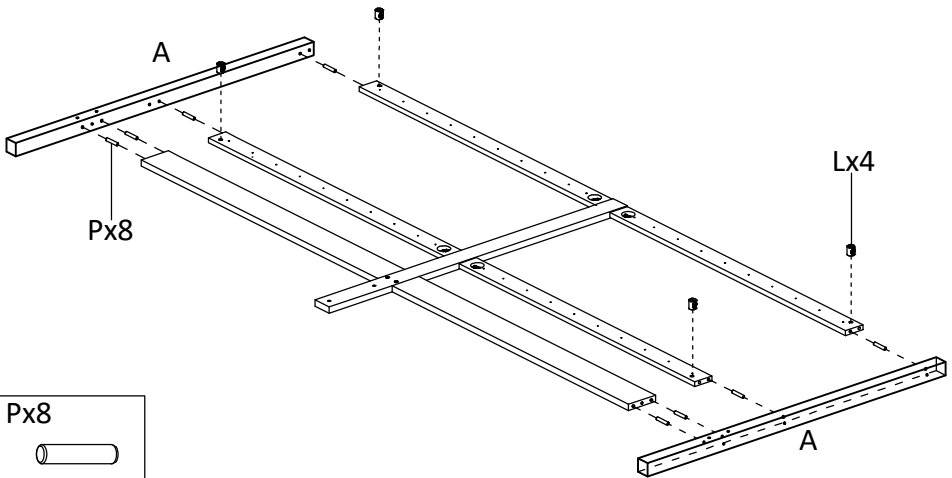


Ox4





5

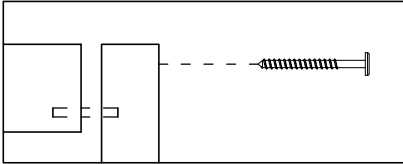


Px8

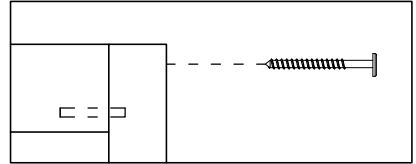


Lx4



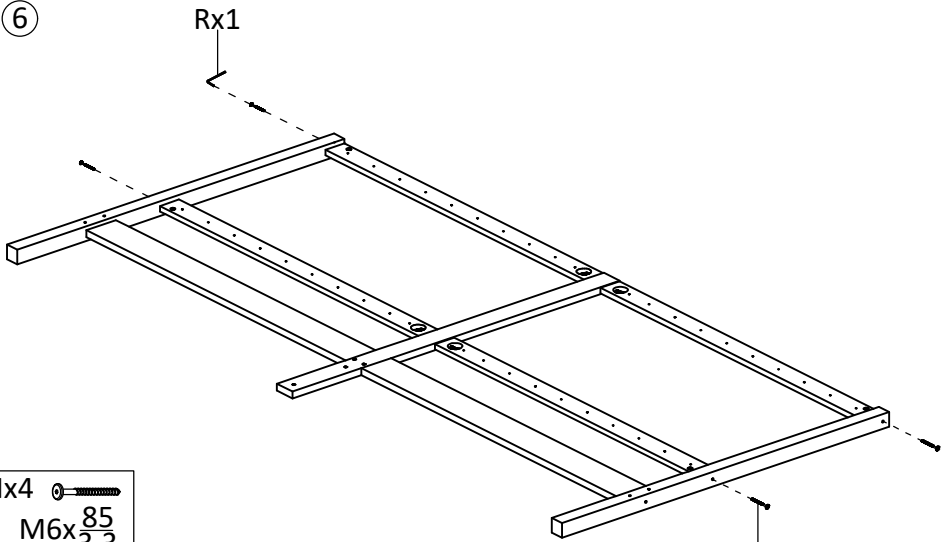



✗

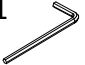


✓

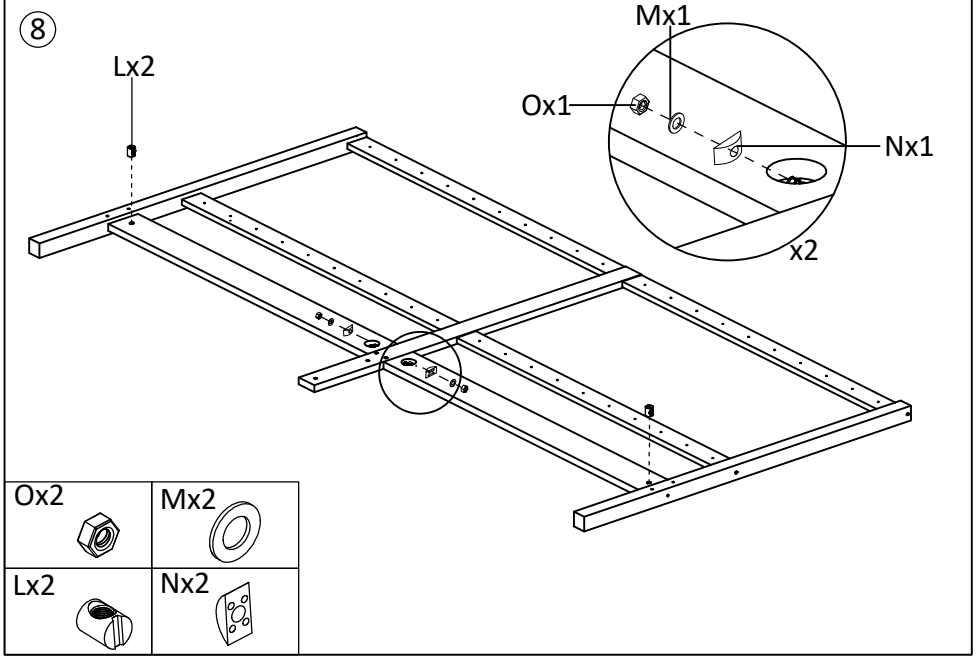
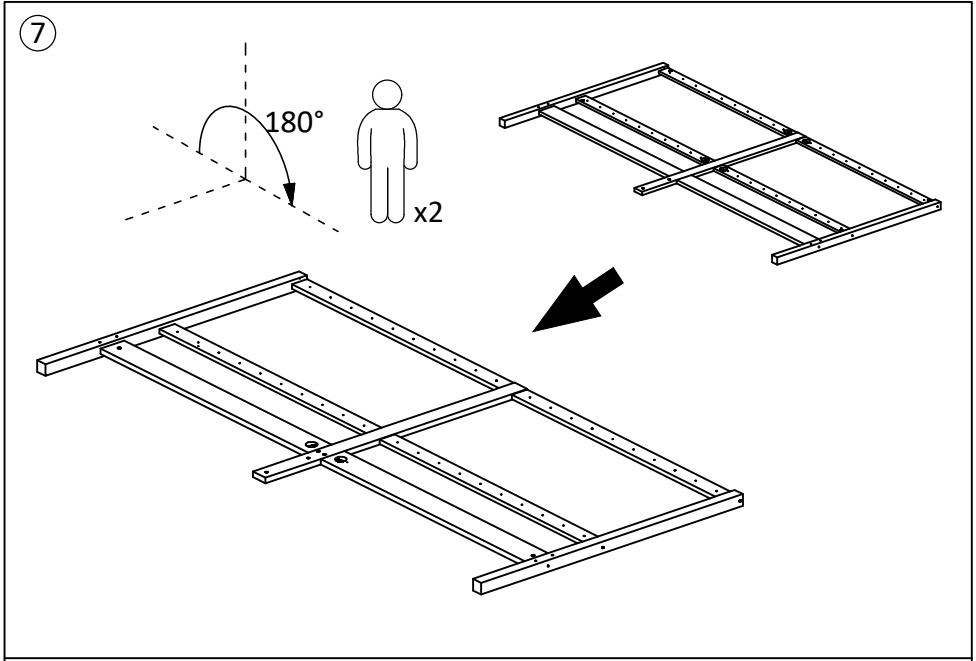
⑥



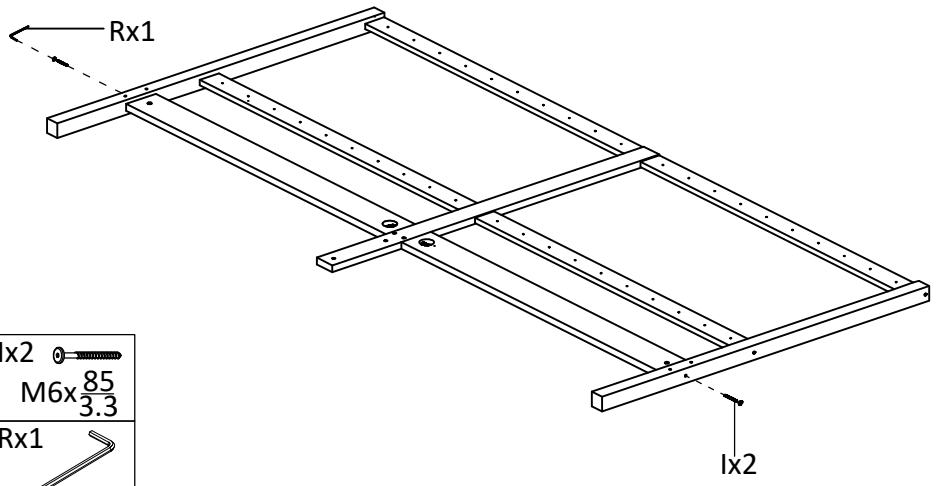
Ix4 
M6x $\frac{85}{3.3}$

Rx1 

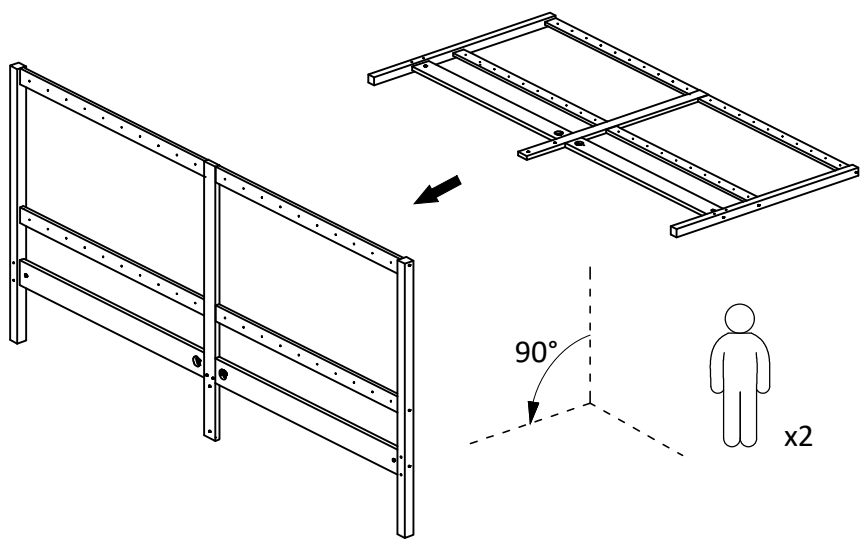
Ix4



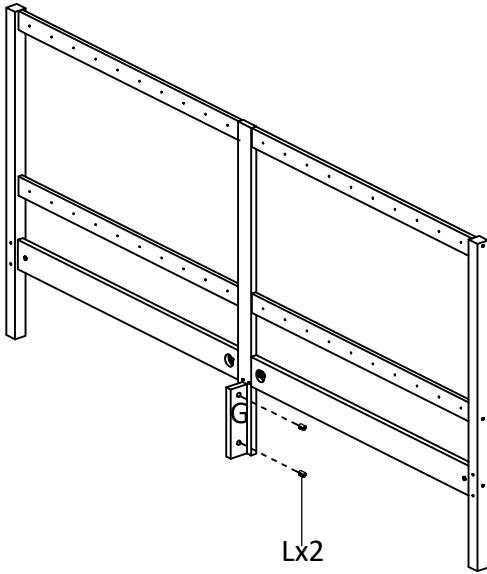
9



10



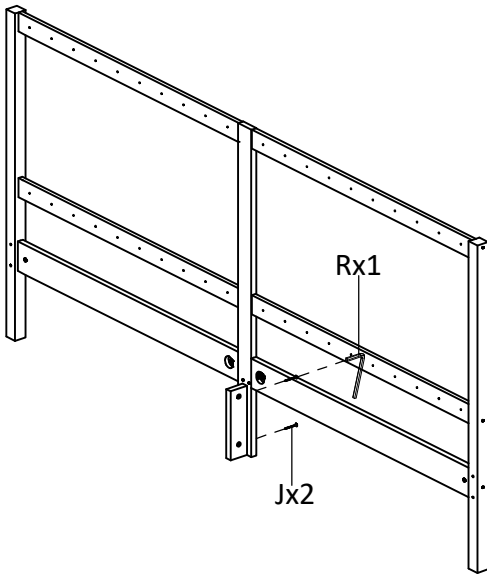
11




Lx2

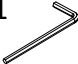


12

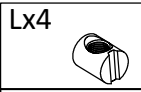
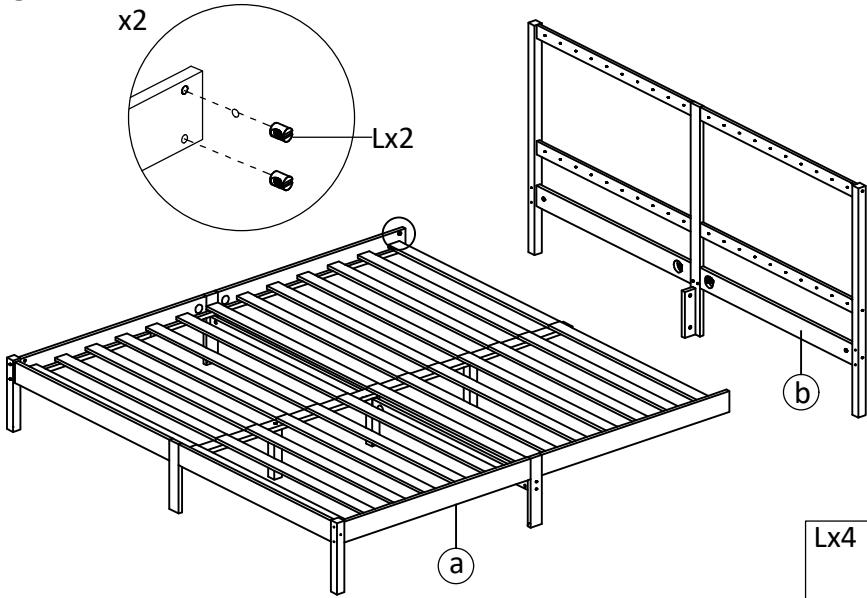


b

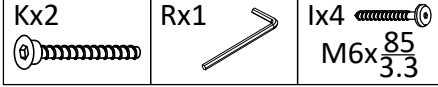
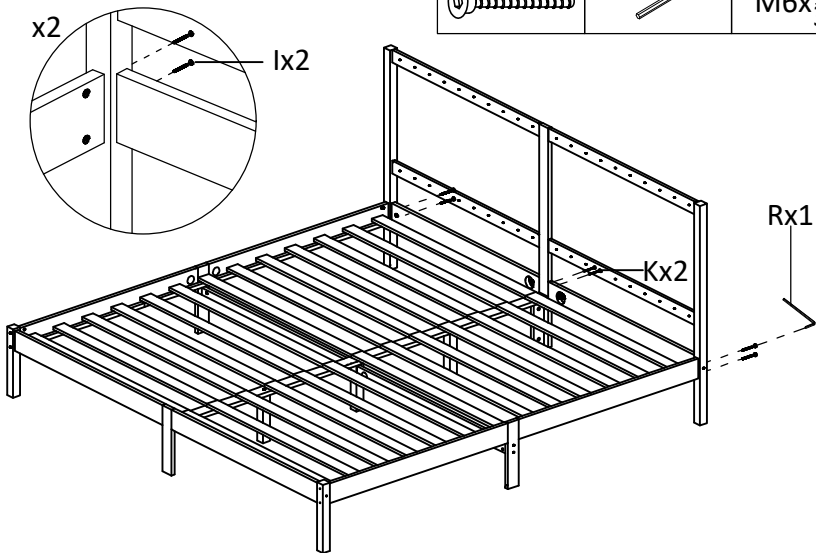
Jx2 
M6x $\frac{60}{2.4}$

Rx1 

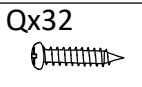
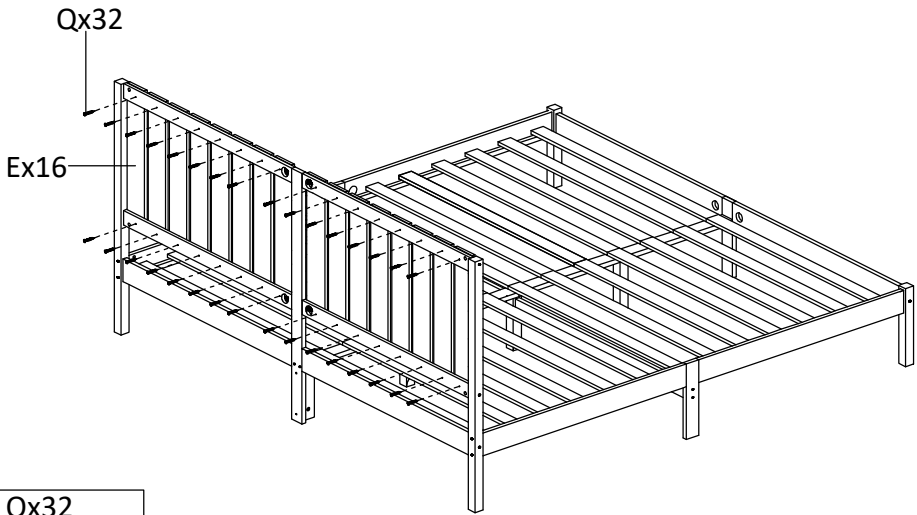
13



14



15



16

