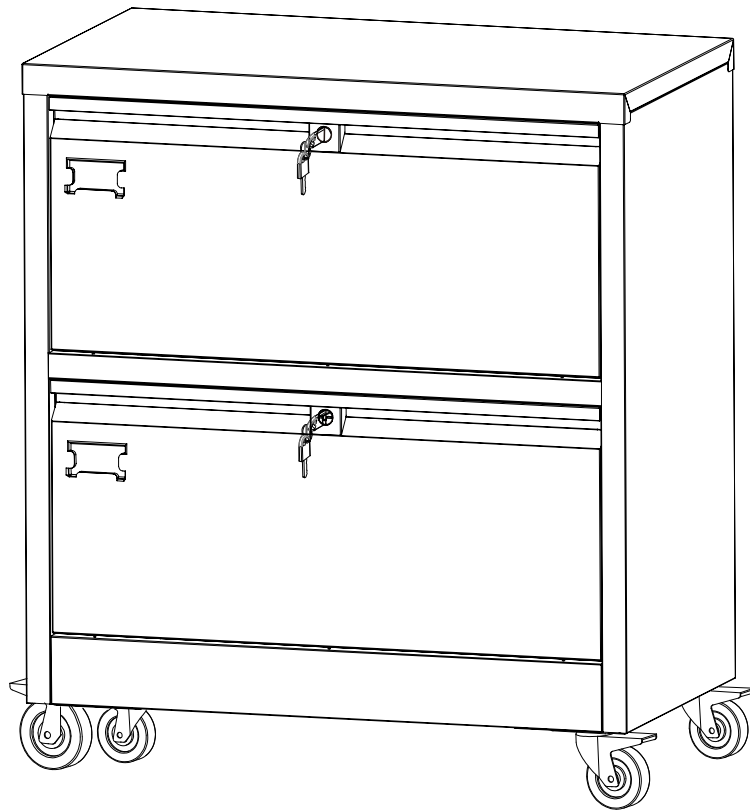
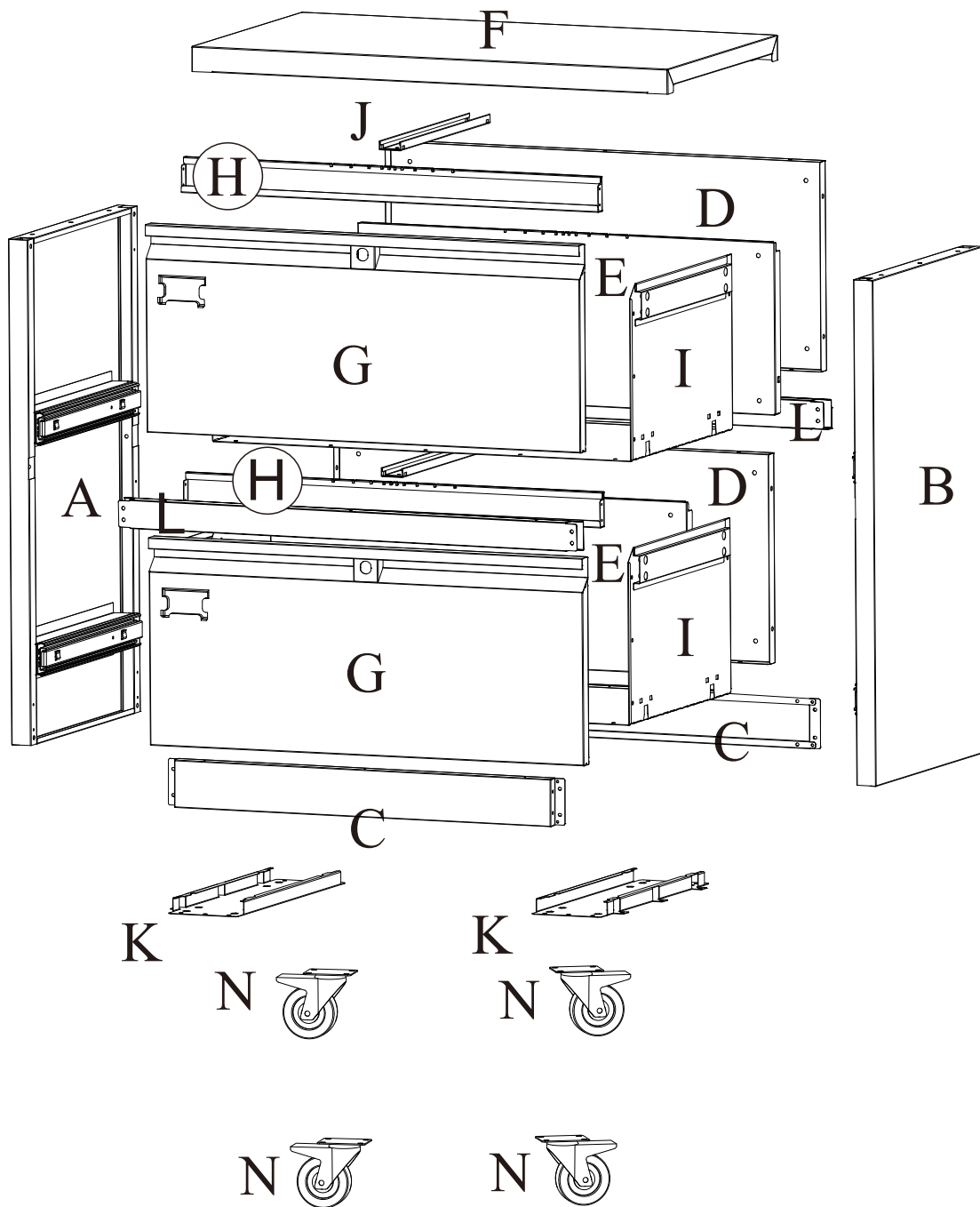


Assembly Instructions





CAUTION

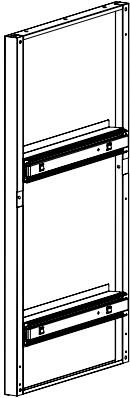
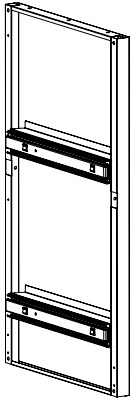
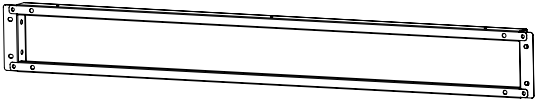
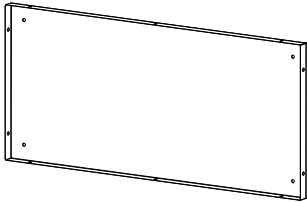
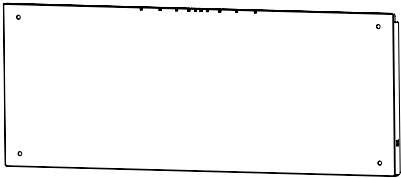
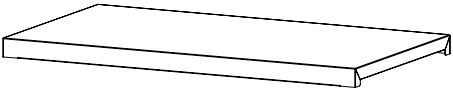
An assistant is required

CUSTOMER FIRST, SERVICE FOREMOST!

Questions? Issues?

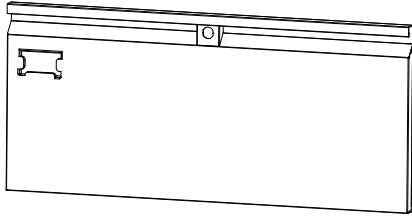
CONTACT US

REPLY WITHIN 24 HOURS IN BUSINESS DAYS

A-Left Side Panel	1PC	B-Right Side Panel	1PC
			
C-Kick Plate	2PCS	D-Back Panel	2PCS
			
E-Drawer Back Panel	2PCS	F-Top Panel	1PC
			

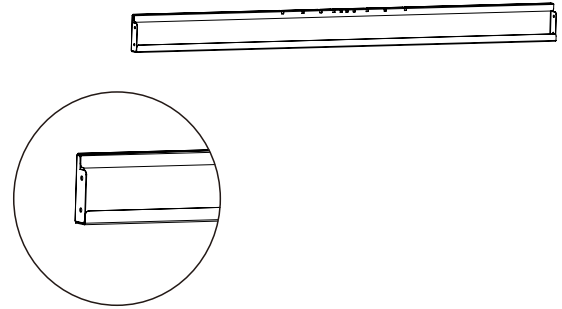
G-Drawer Front Panel

2PCS



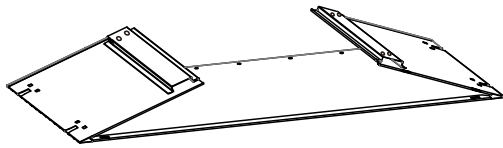
H-Long Hanging Bar

2PCS



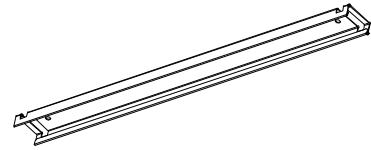
I-Drawer Bucket

2PCS



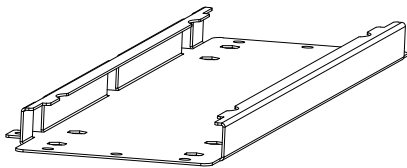
J-Short Hanging Bar

2PCS



K-Base

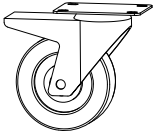
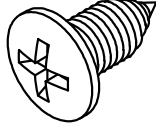
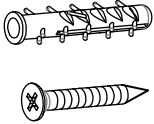

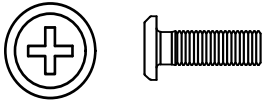


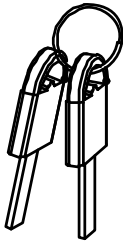
2PCS



L-Middle plate

2PCS



N-Wheel	4PCS	a-M5*10 Screw	98PCS
			
b-Expansion Screw	2PCS	e-Anti-tipping Strap	2PCS
			
f-Flat Head Screw	18PCS	j-Nut	2PCS
6*16mm			
			
h-Lock	2PCS	i-Key	2PCS
 <p data-bbox="137 2063 775 2096">Already pre-installed on the drawer front panel G</p>		 <p data-bbox="834 2063 1473 2096">Already attached on the drawer front panels G</p>	

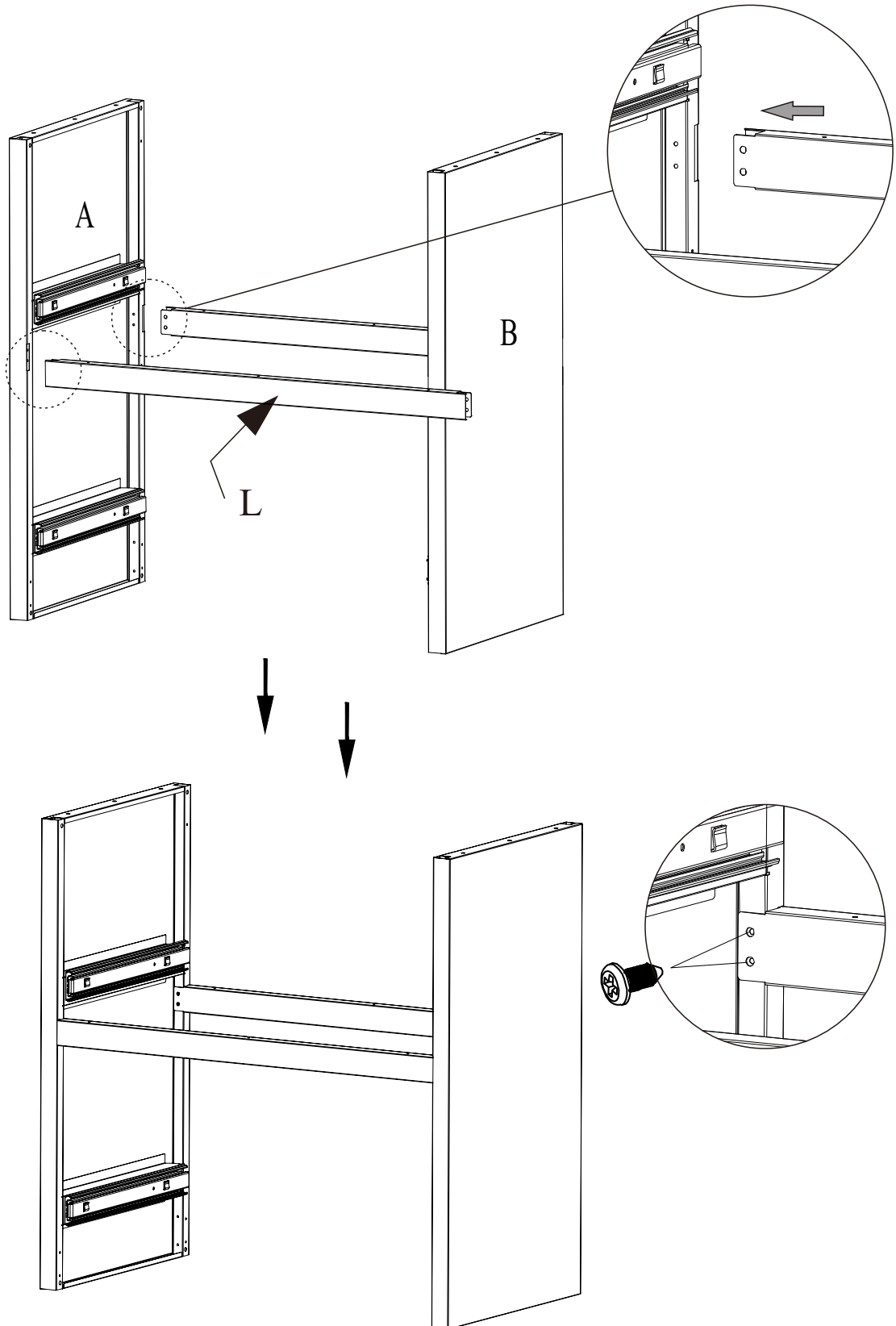
Step 1

Install 2 middle plates L on side panels A and B with 8 screws a

a



8PCS



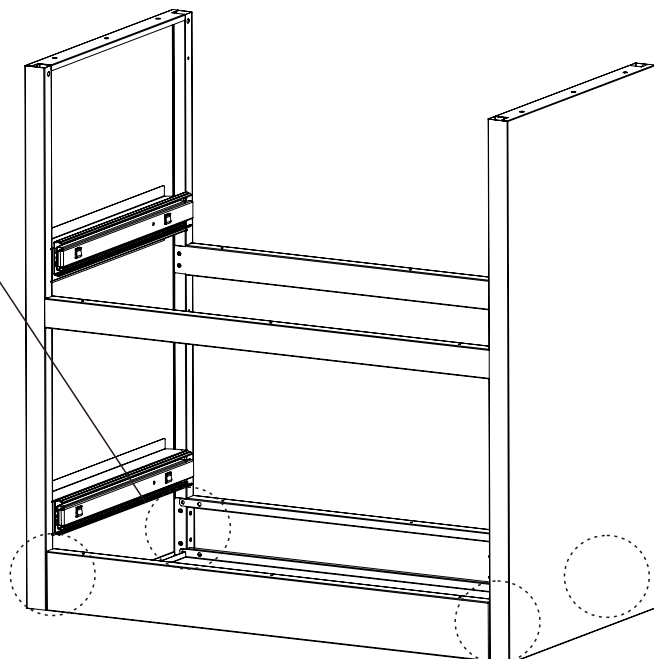
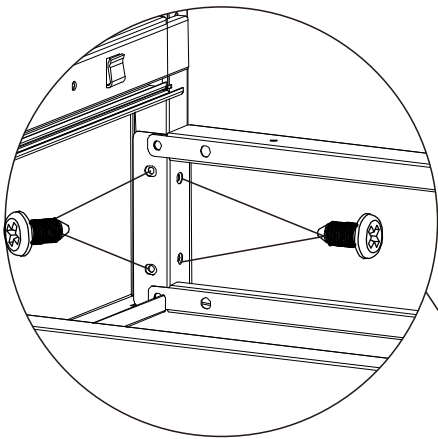
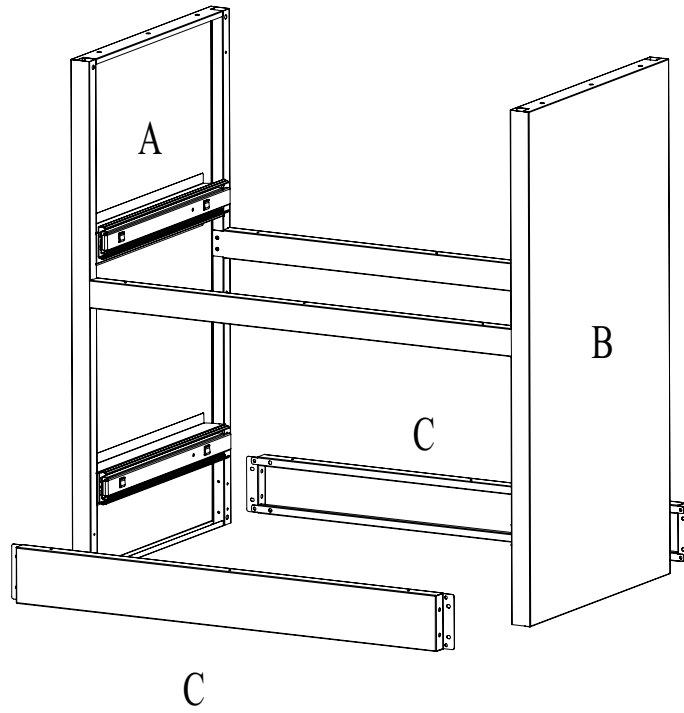
Step 2

Connect 2 kick plates C with side panels A and B, then fix them with 16 screws a

a



16PCS



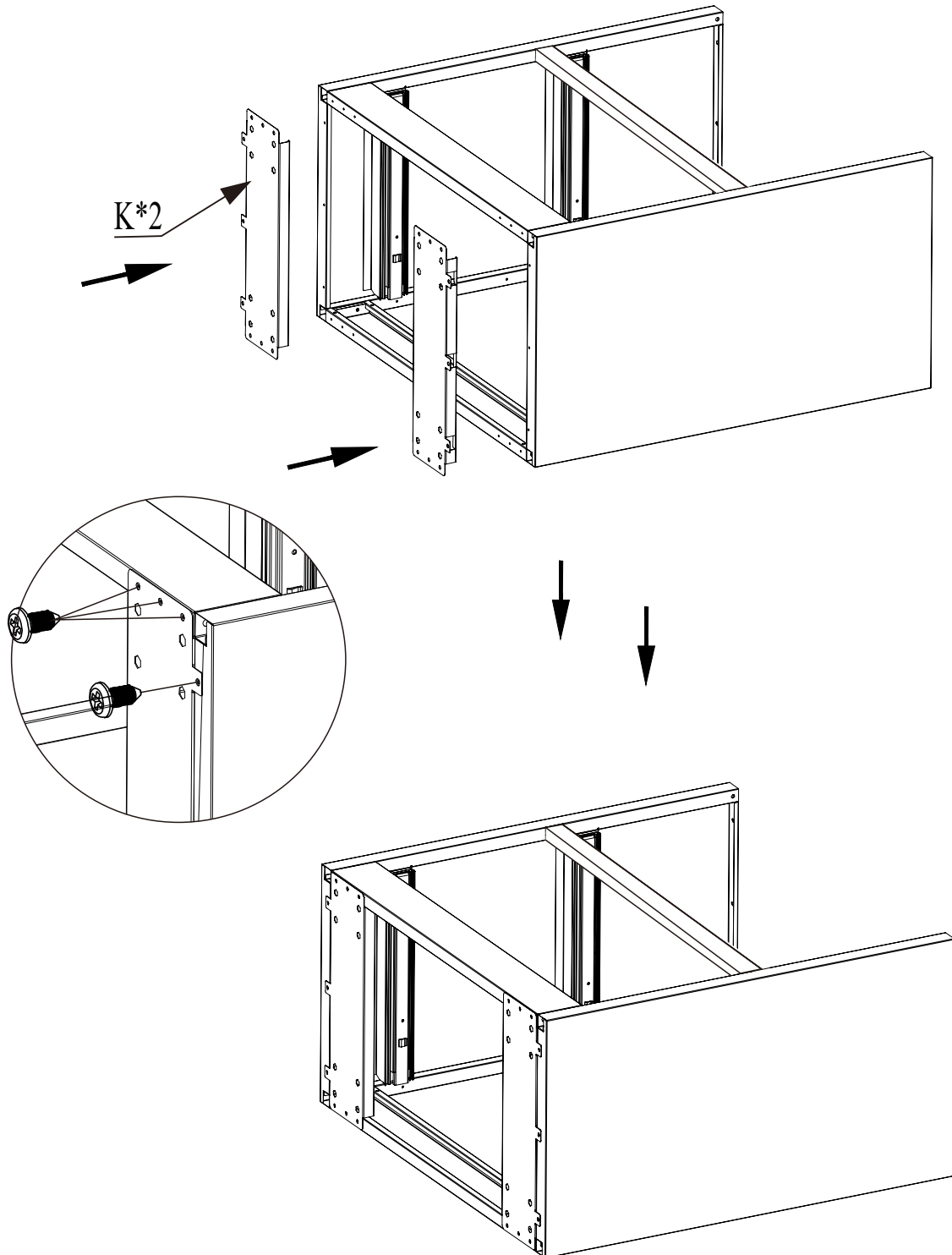
Step 3

Install 2 bases K at the bottom, then fix them with kick plates and side panels by 18 screws a

a



18PCS



Step 4

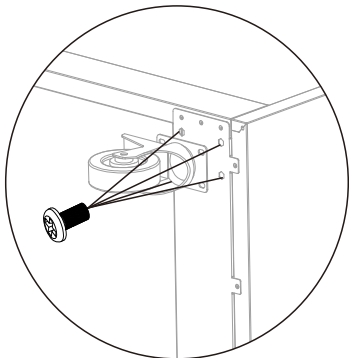
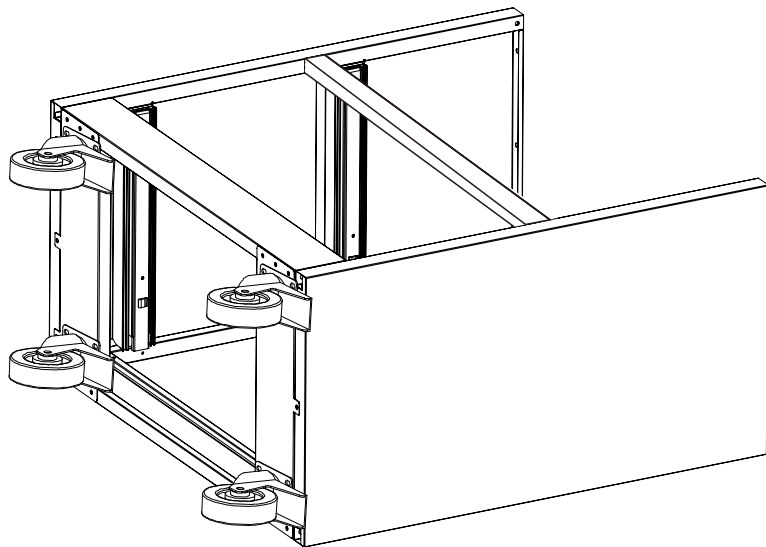
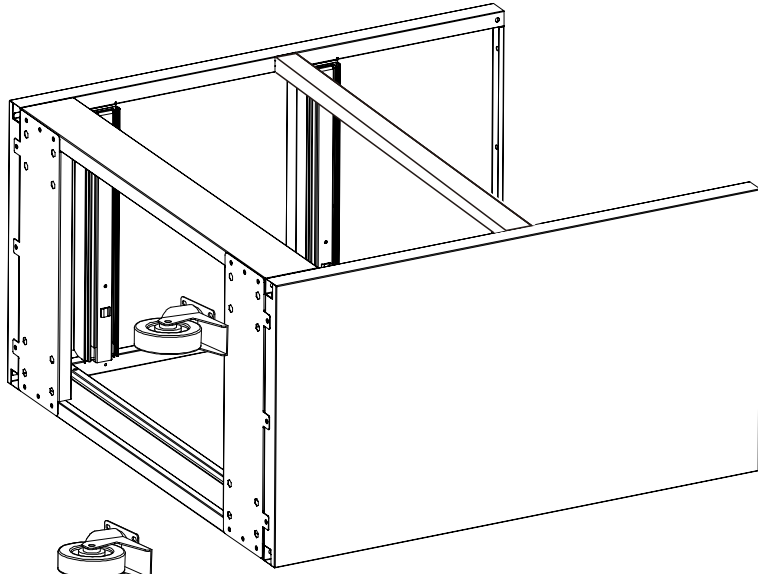
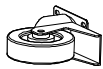
Install 4 wheels N and fix them on the bases K with 16 screws f

f



16PCS

N*4



Please lock the wheels to keep the cabinet stable before the next step.

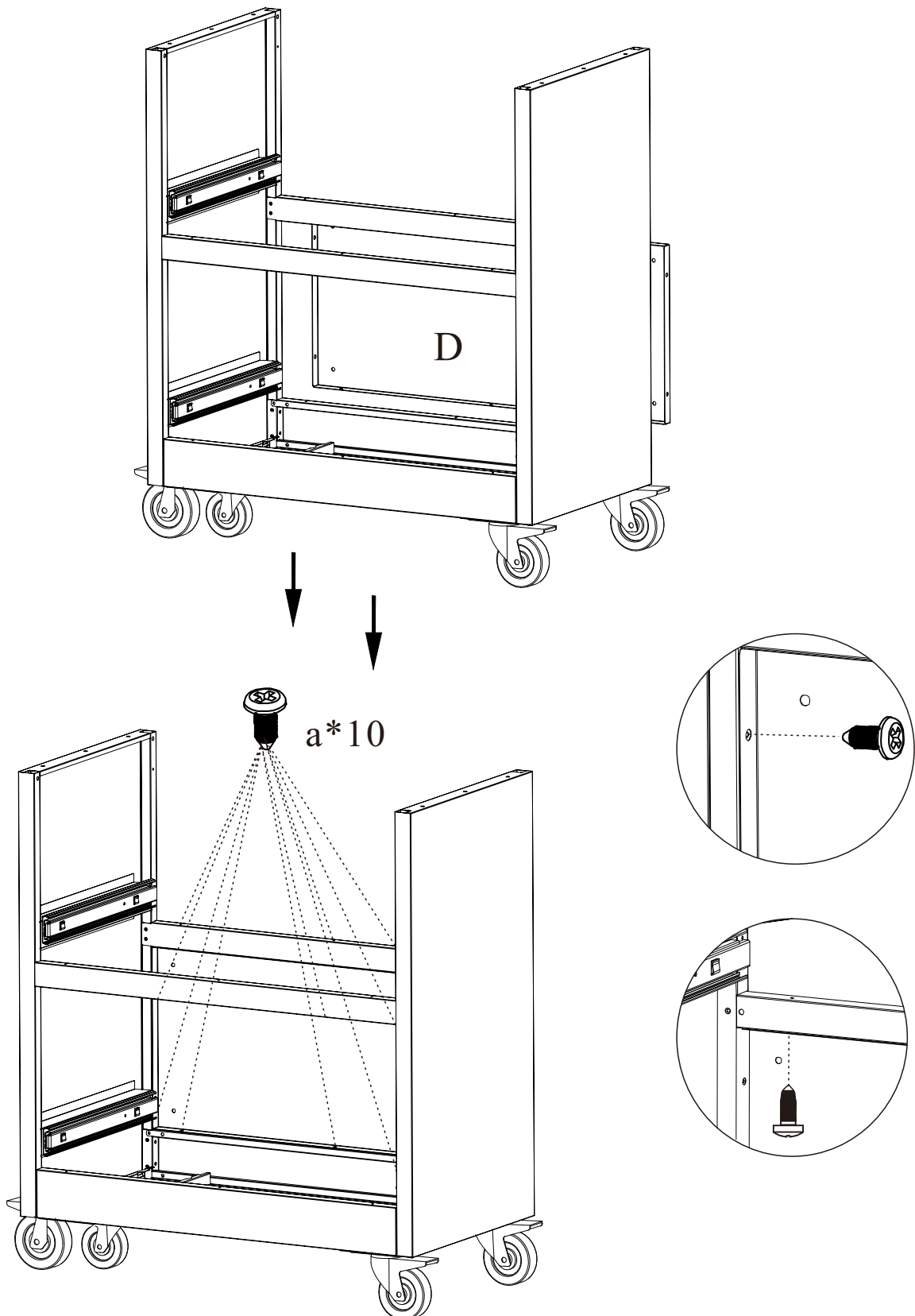
Step 5

Connect back panel D with side panels and kick plate C, then fix them with 10 screws a

a



10PCS



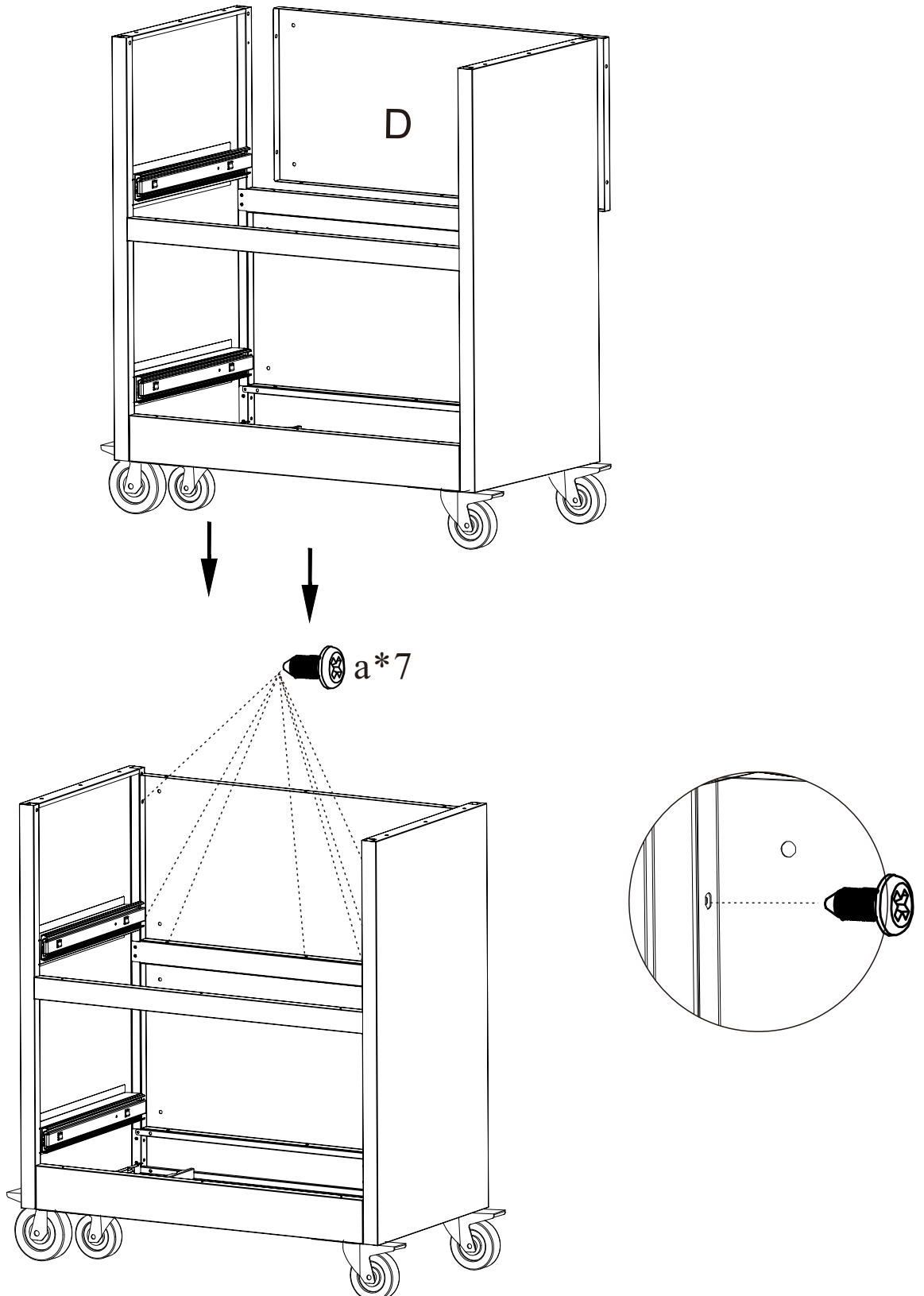
Step 6

Connect another back panel D with side panels and middle plate L, then fix them with 7 screws a

a



7PCS



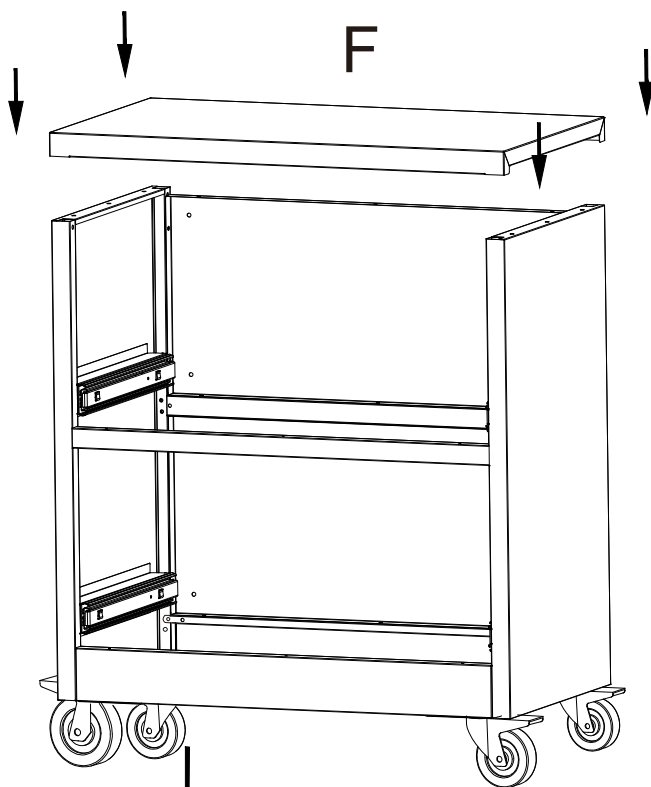
Step 7

Install the top panel F and fix it with other parts by 9 screws a

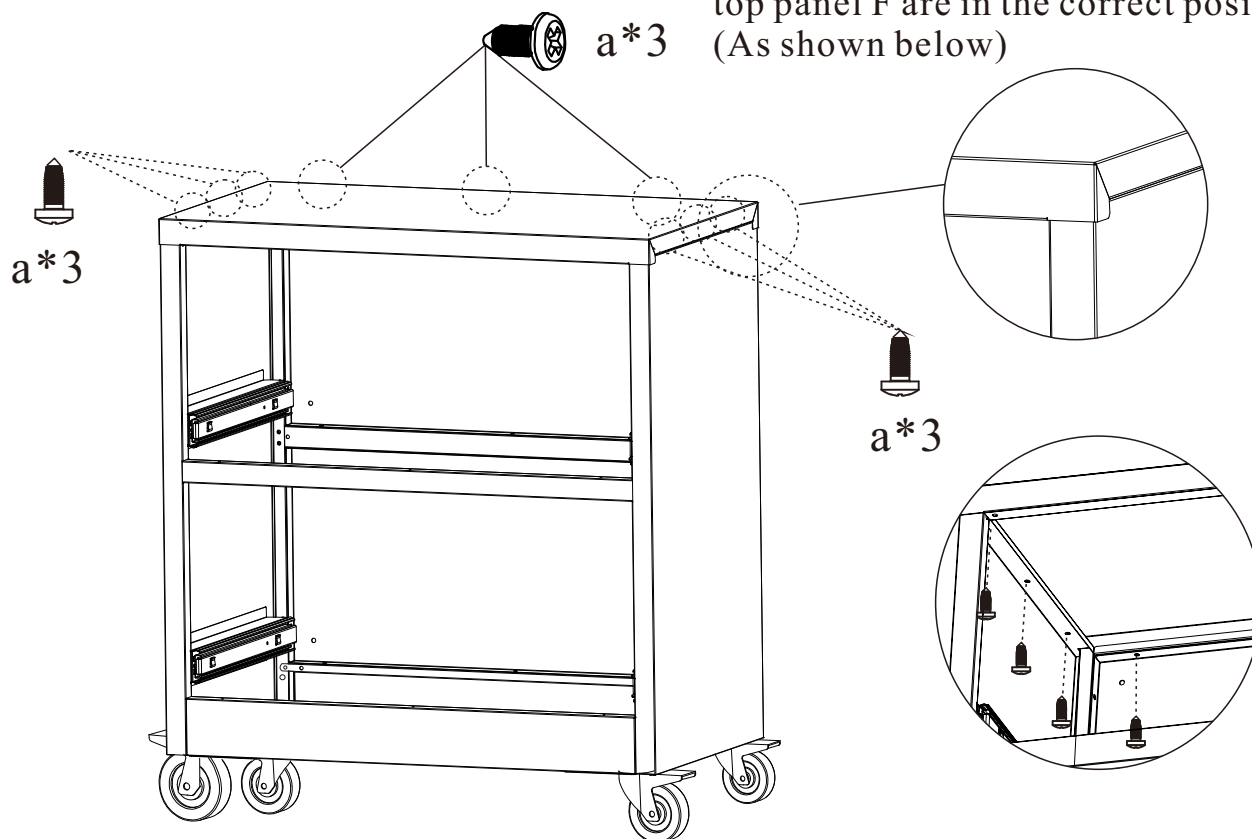
a



9PCS

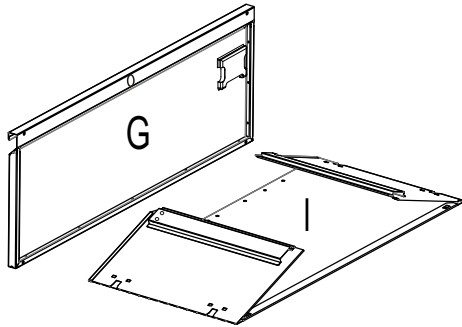


Please ensure that all four corners of top panel F are in the correct positions (As shown below)

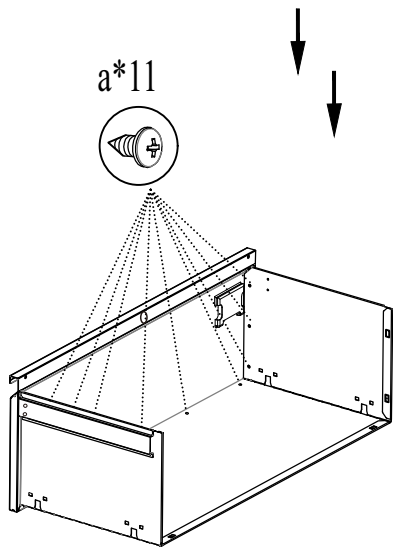
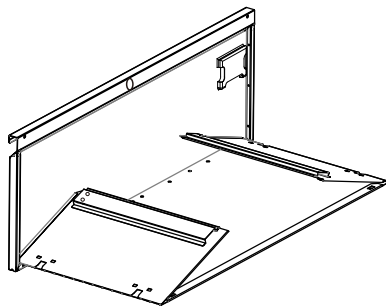


Step 8

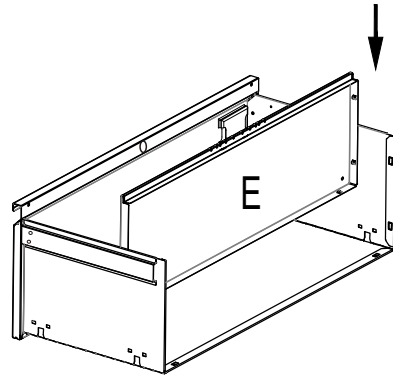
Unfold the drawer bucket I and insert it into the drawer front panel G, then fix them with 11 screws a



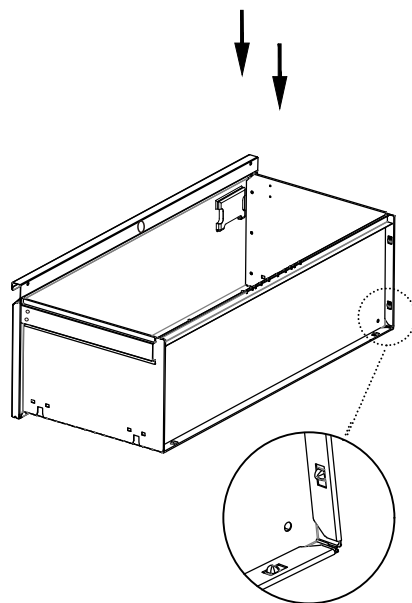
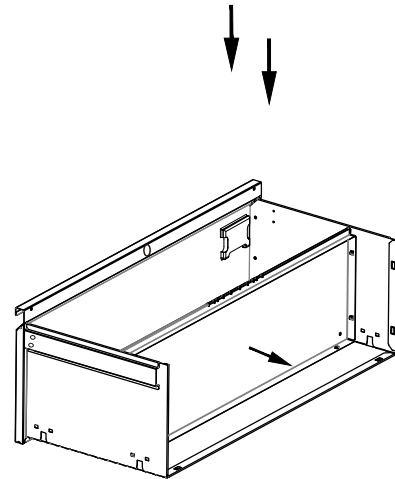
Do not fold H more than 2 times



Insert the drawer back panel into the drawer bucket and press the small pieces down to fix them

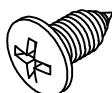


Then assemble another drawer in the same way



The keys for two drawers are not universal, please remove them from the drawer front panels G, label and store them safely before assembling the drawers.

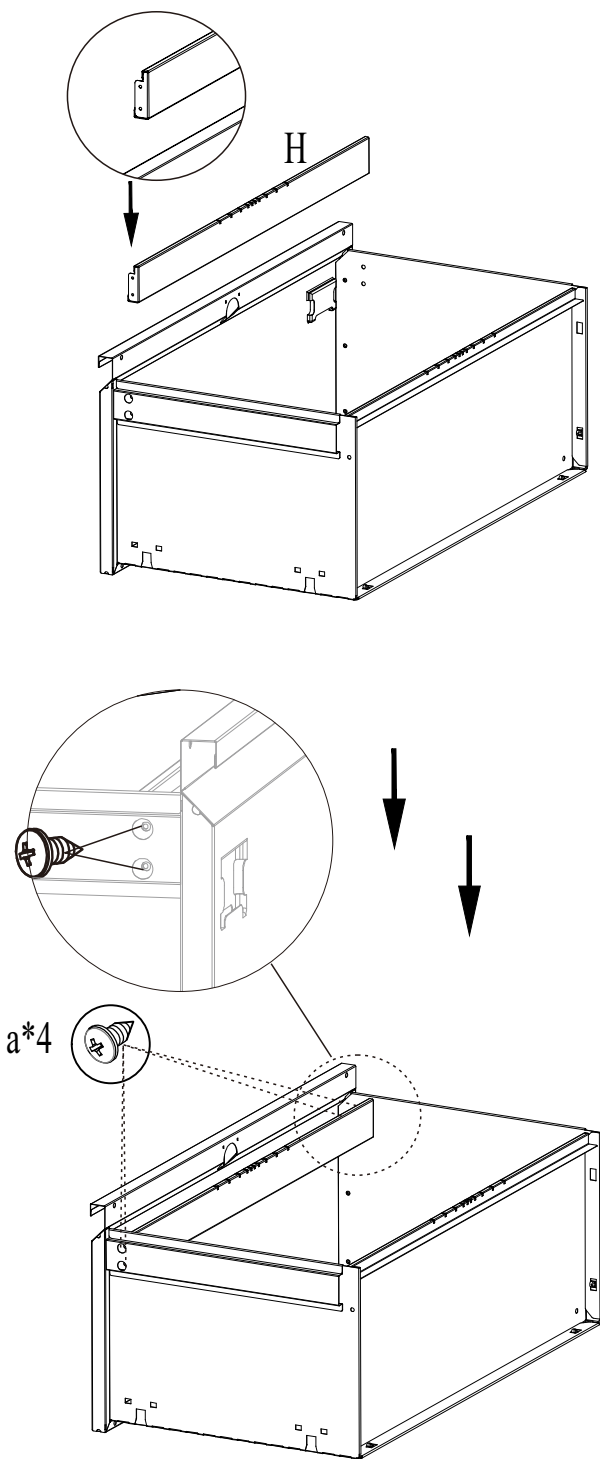
a



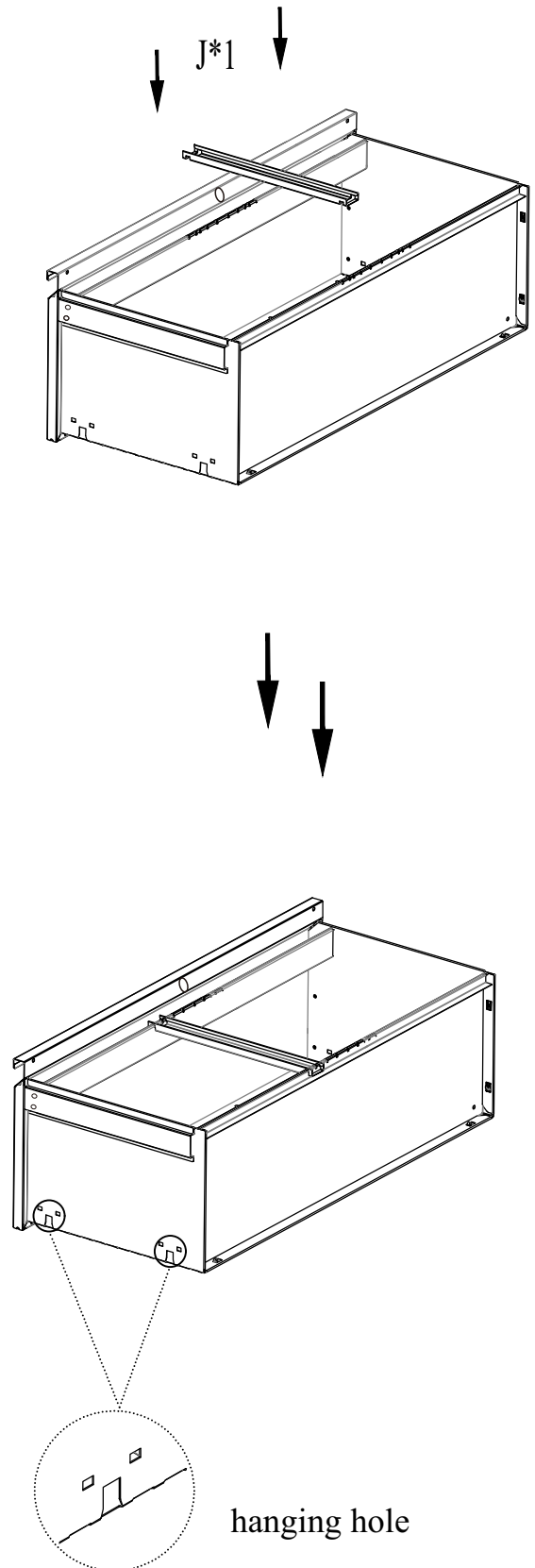
22PCS

Step 9

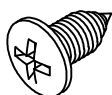
Install the long hanging bar H in the drawer with 4 screws a



Install 1 short hanging bar J in the drawer





a

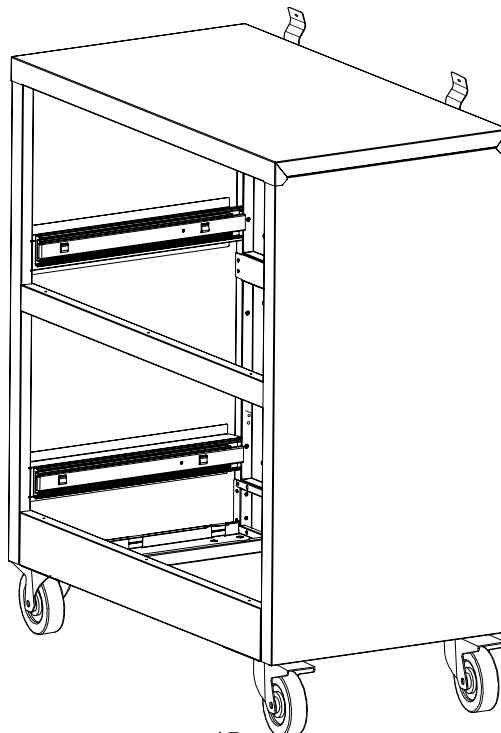
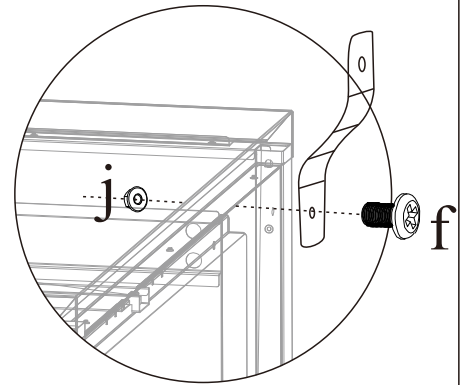
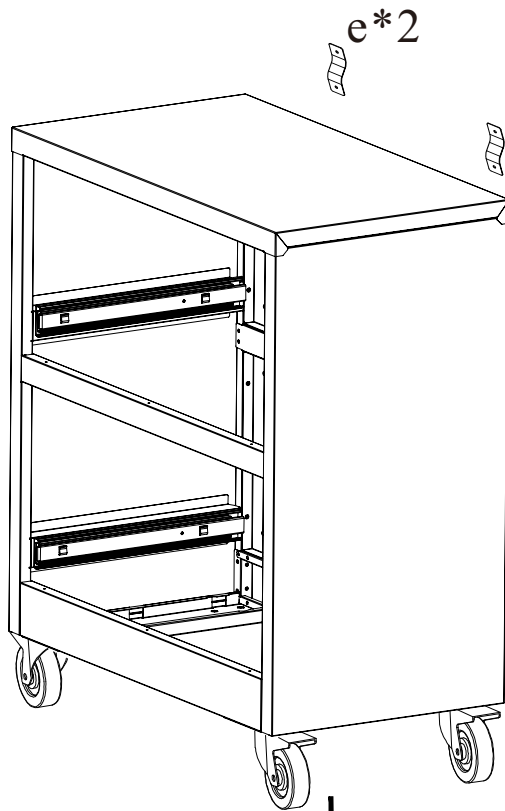


8PCS

Step 10

Install 2 anti-tipping straps e on the back panel D with 2 screws f and nuts j

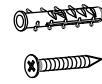
f		2PCS
j		2PCS



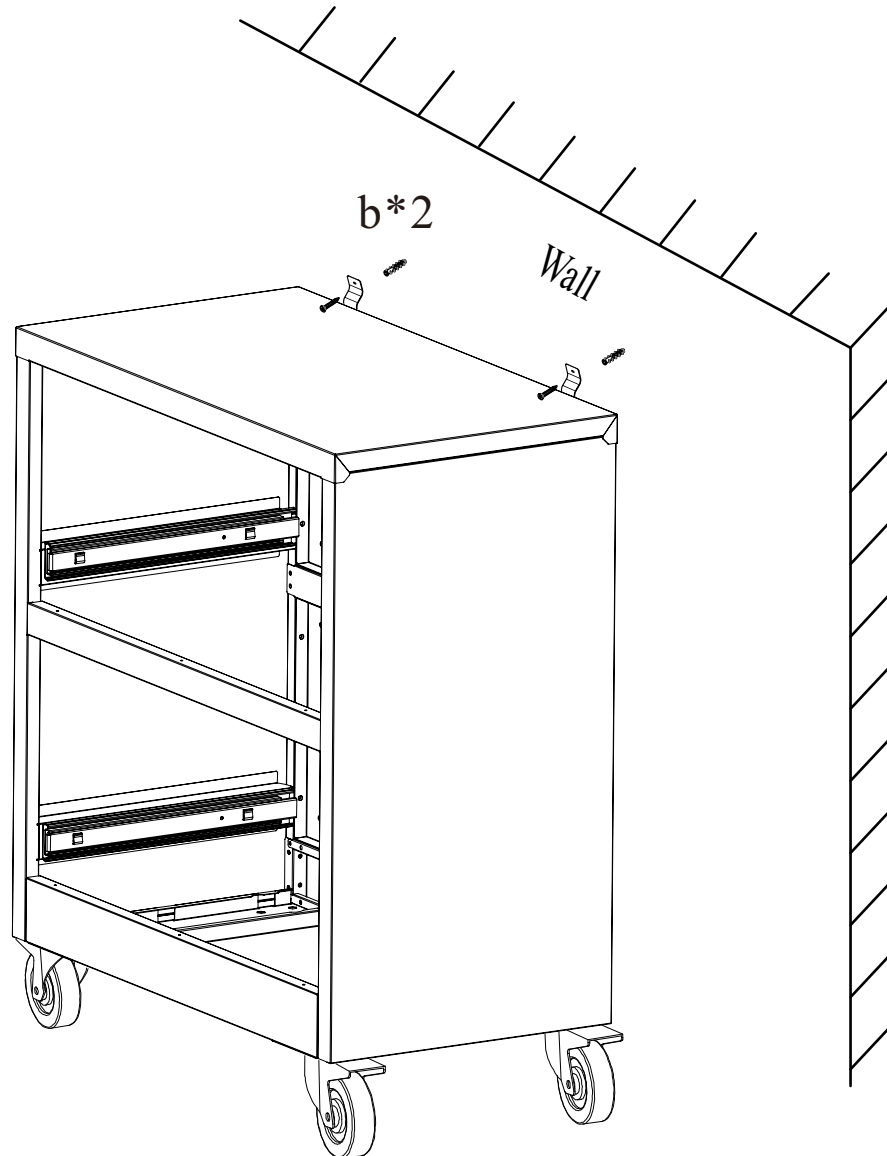
Step 11

Fix the cabinet on the wall with 2 expansion screws
b to prevent tipping

b



2PCS



DANGER



Always secure this furniture with an anchor device.

Unsecured furniture can cause serious injury or death to children.

Never allow children to stand, climb or hang on drawers, doors or shelves.

Never open more than one drawer or door at a time.

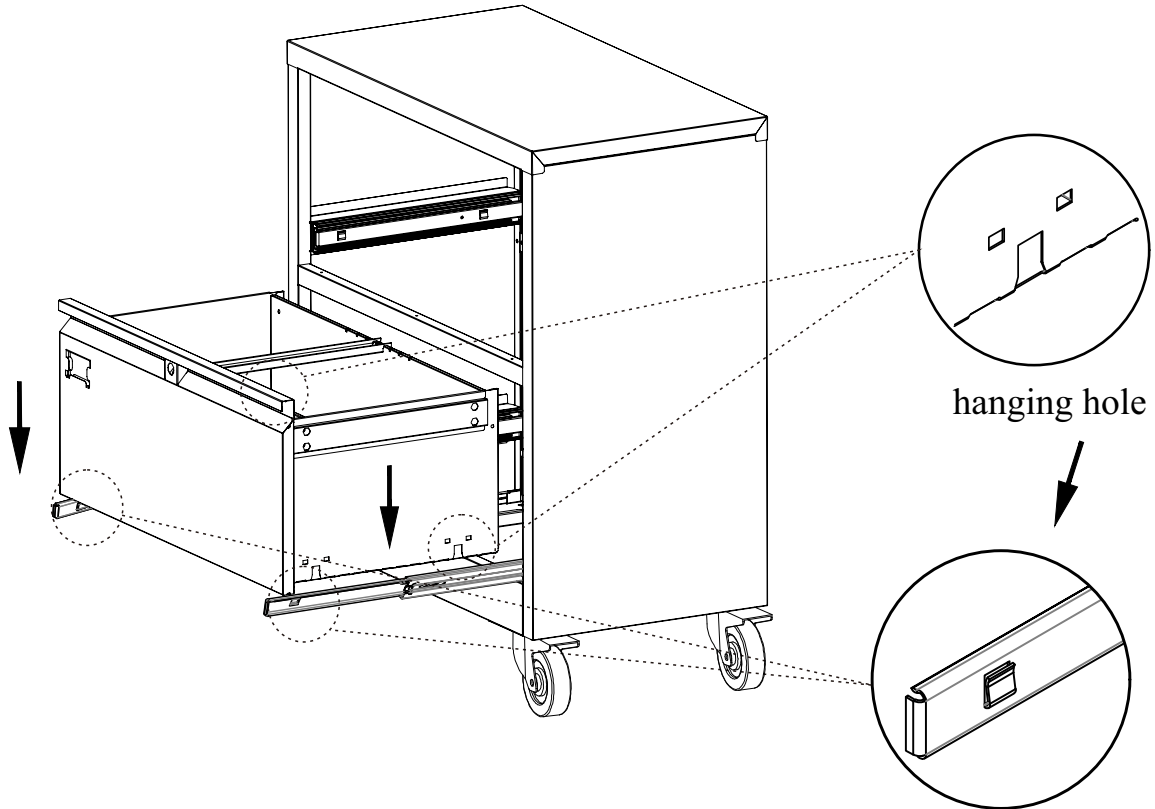
Place the heavy items on the lower position.

Never place a television on this furniture.

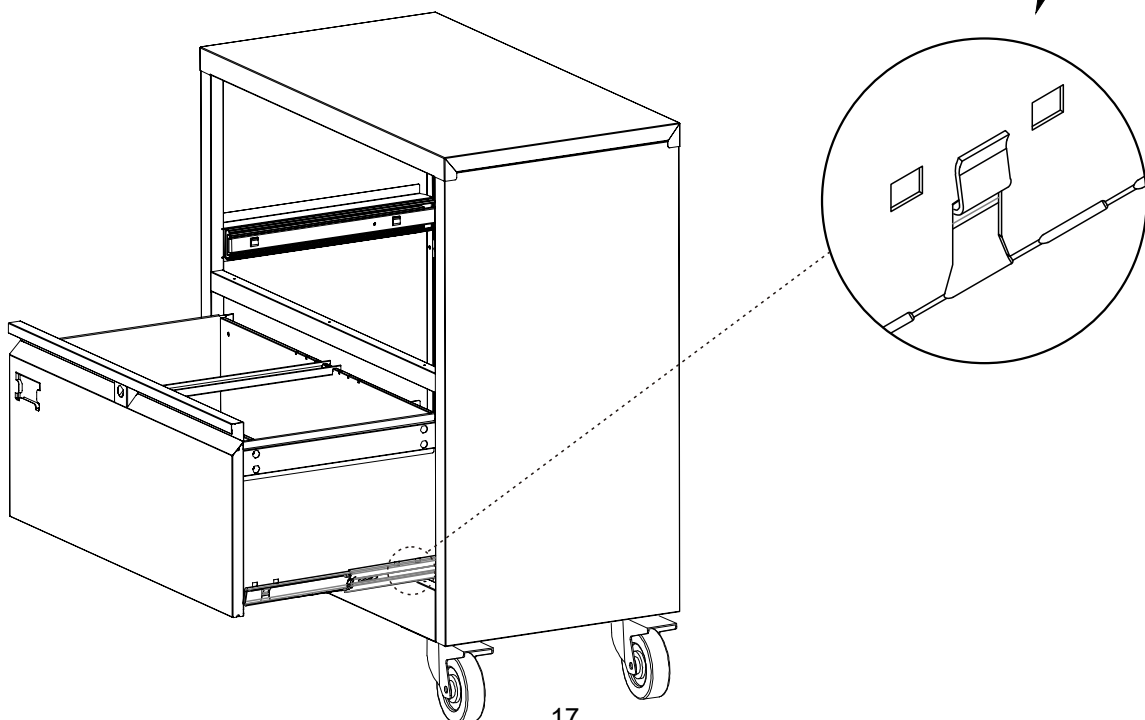
This is a permanent label. Do not remove!

Step 12

First, completely pull out the slide rails of the left and right side panels, and place the drawer above the inner side of the slide rails. Make sure that the hanging holes on both sides of the drawer are aligned with the hooks of the slide rails. Press down to make the hooks fully enter the hanging holes.

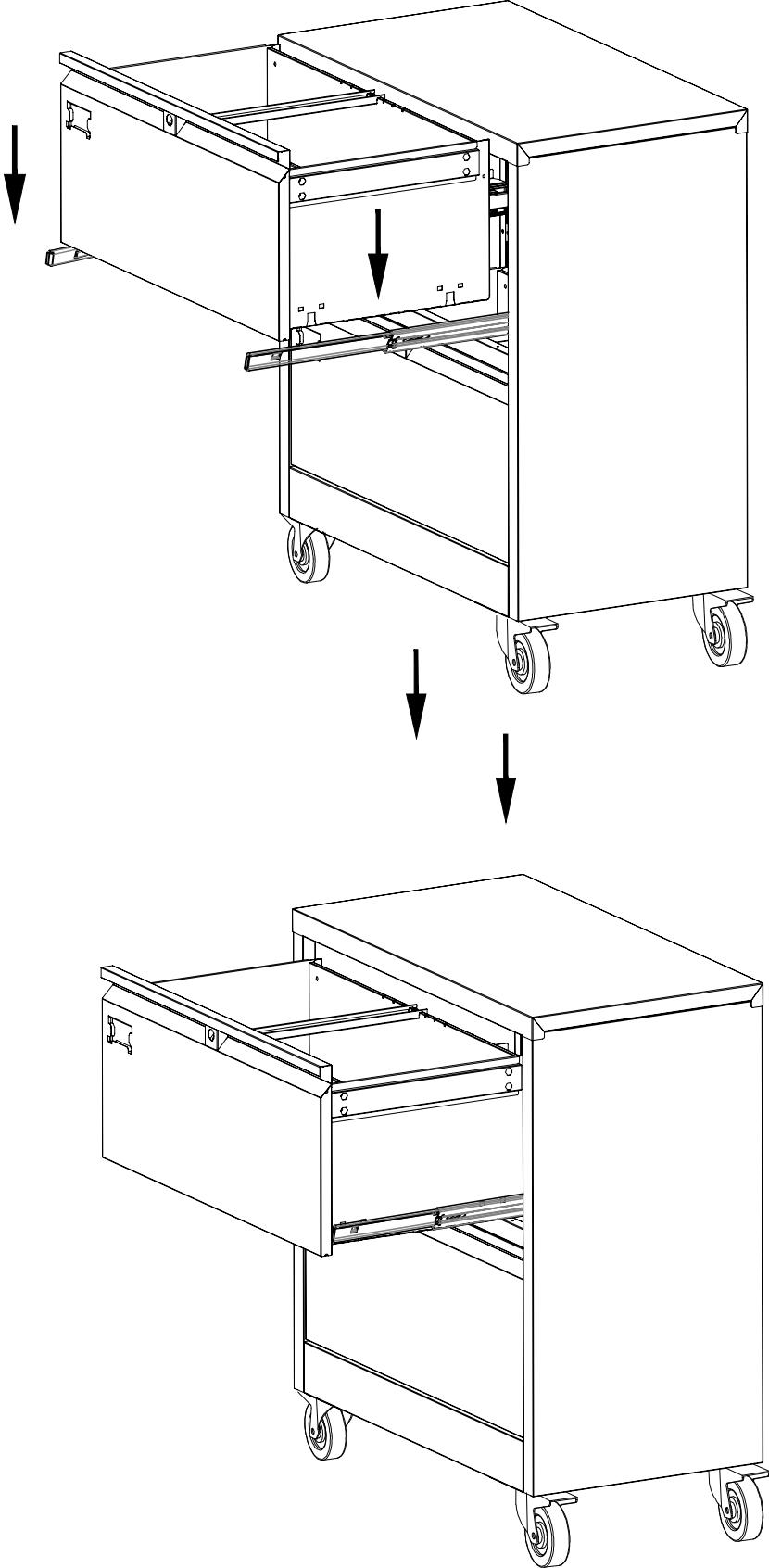


Pull out the drawer twice slowly and the lubricating oil inside the slide rails will come out and the drawer will work.



Step 13

Install another drawer on the cabinet in same ways



TROUBLESHOOTING GUIDE

If there is any problem, please just contact the seller's **Customer Service**.

Problem 1: The (top) drawer will not close or didn't fit

Check to see if the drawer is properly snapped into the rail, and make sure you have pushed the drawer down hard enough to make it snap completely into the rail-hanging holes. If the drawer is not seated at the bottom, it will be partly higher and unable to close.

Problem 2: The drawers are jammed

Ensure that the lock on the unit is open and all drawers are fully closed. If the drawer is stuck in this case and cannot be fully closed, please contact the seller's Customer Service.

Problem 3: The locking mechanism doesn't lock

- a. It may be an assembly error. Please check to see if the locking strips on both sides of the cabinet have been pushed upward to the end during assembly so that they slide into the spring pins of the top locking mechanism.
- b. If the cabinet cannot be opened with the key, please contact the seller's Customer Service.

How to take out the drawer?

Push down the black plastic part in the left side slider and push up this part in the right side at the same time, then pull out the drawer evenly, the drawer will be took out.