

# **INSTALLATION**

*Product Manual*



### **IMPORTANT INFORMATION!**

please read the entire manual before starting to assemble and/or using this product. follow the manual thoroughly and keep it for further reference.



### **AVOID SCRATCHES!**

In order to avoid scratching this furniture should be assembled on a soft layer - could be a rug.



### **IMPROVE EFFICIENCY !**

Try to find a partner to install with you, which can speed up the installation efficiency and shorten the time.



### **ANTI-TOPPLE WARNING !**

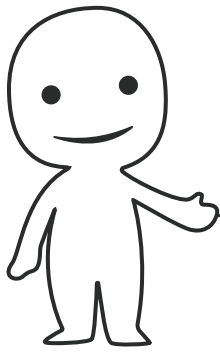
Overturnd furniture can cause serious or fatal crush injuries. To prevent tipping over, be sure to use the wall attachment, if not included with this product. Please purchase the wall attachment that fit your wall. If unsure, seek professional advice. Please read and follow each step of the instructions carefully.

### **IMPORTANT !**

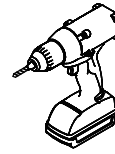
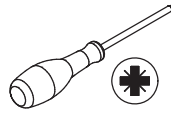
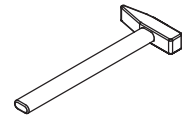
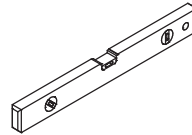
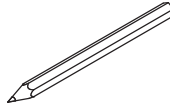
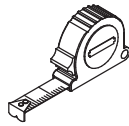
It is important that any product which is assembled using any kind of screw is re-tightened 2 weeks after assembly, and once every 3 months - in order to assure stability through-out the lifespan of the product.

For regular maintenance and cleaning of the product, for the frame, please use a rag dipped in neutral detergent to fully wipe it, and then dry it with a clean rag. For glass materials, wipe with a rag dampened with water glass cleaner, and then dry with a dry rag.

Do not use an electric screwdriver, and do not use too much force when installing, because the board is easy to break.

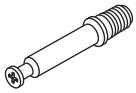


Please prepare the following tools



When installing, please carefully confirm whether each screw corresponds to the manual, accessories with similar shapes can be distinguished by size

A x 72



∅6 x 35 mm

B x 68



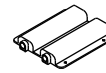
∅8 x 30 mm

C x 72



∅15 x 9 mm

D x 1



E x 66



∅3.5 x 14 mm

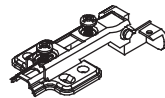
F x 16



G x 2



H x 8



J x 24



∅3 x 9 mm

K x 10

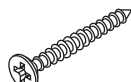


∅3.5 x 12 mm

L x 2



M x 10



∅4 x 35 mm

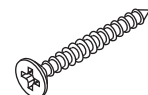
N x 4



P x 1

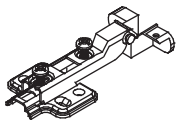


Q x 12

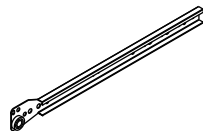


∅4 x 30 mm

R x 4

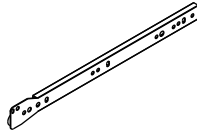


CL x 3



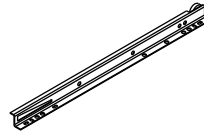
300 mm

CR x 3



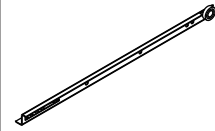
300 mm

DL x 3



300 mm

DR x 3



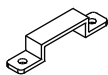
300 mm

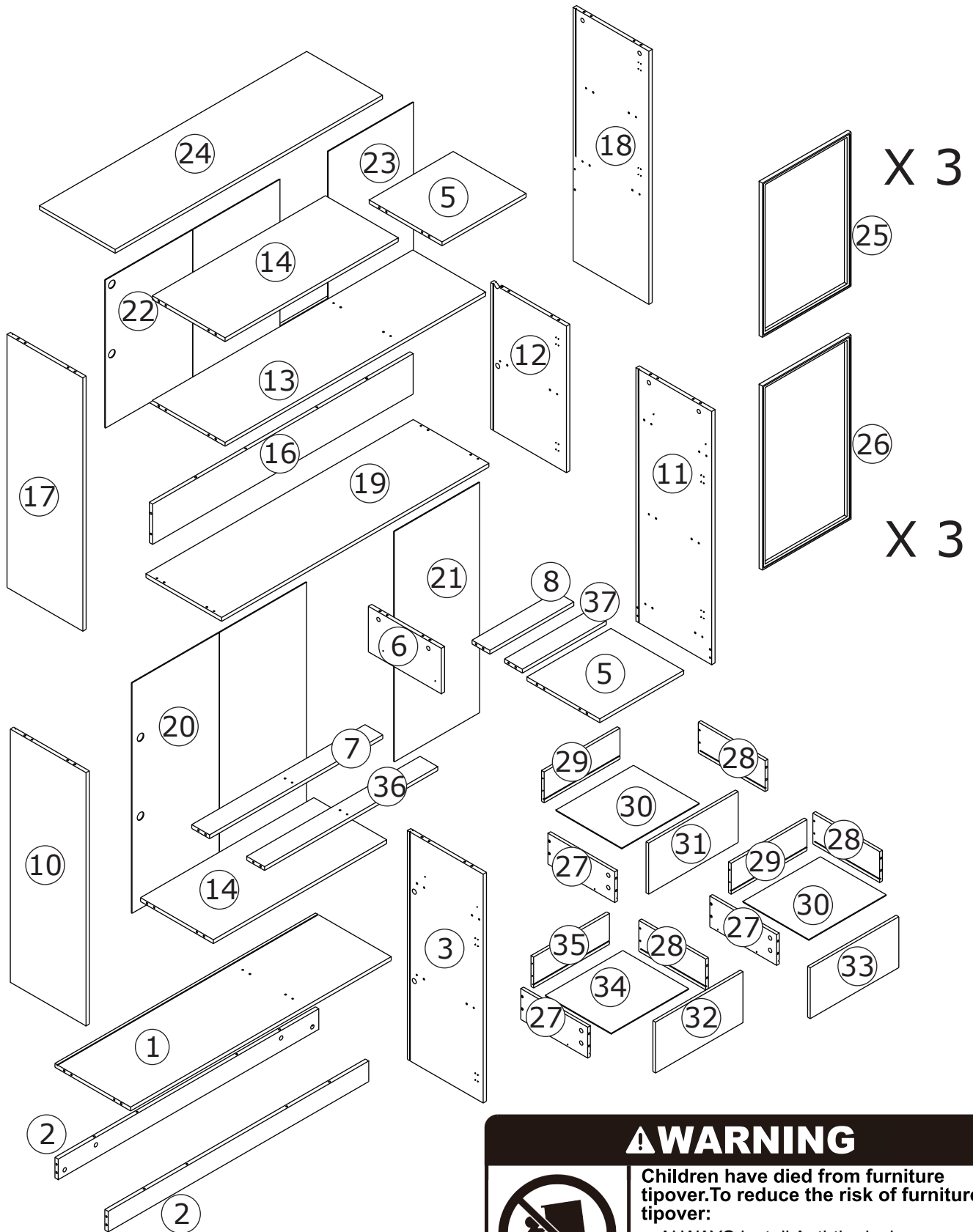
S x 40



∅3 x 12 mm

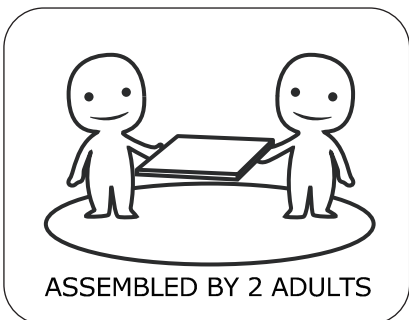
T x 8





X 3

X 3



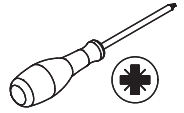
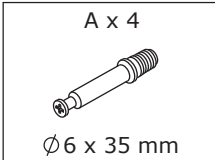
**⚠ WARNING**

**Children have died from furniture tipover. To reduce the risk of furniture tipover:**

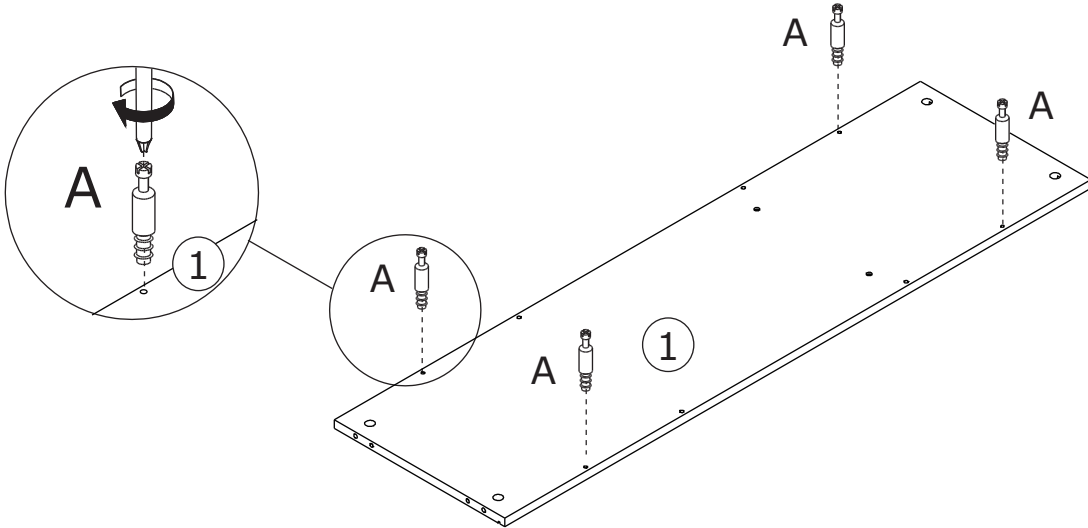
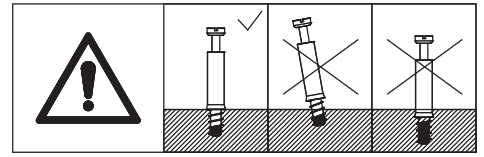
- ALWAYS install Anti-tip device provided.
- NEVER put a TV on this product.
- NEVER allow children to stand, climb or hang on drawers, doors, or shelves.
- NEVER open more than one drawer at a time.
- Place heaviest items in the lowest drawers.

*This is a permanent label. Do not remove!*

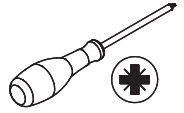
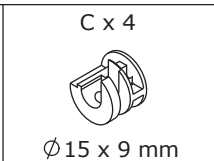
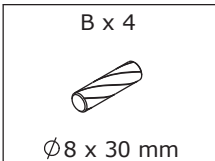
1



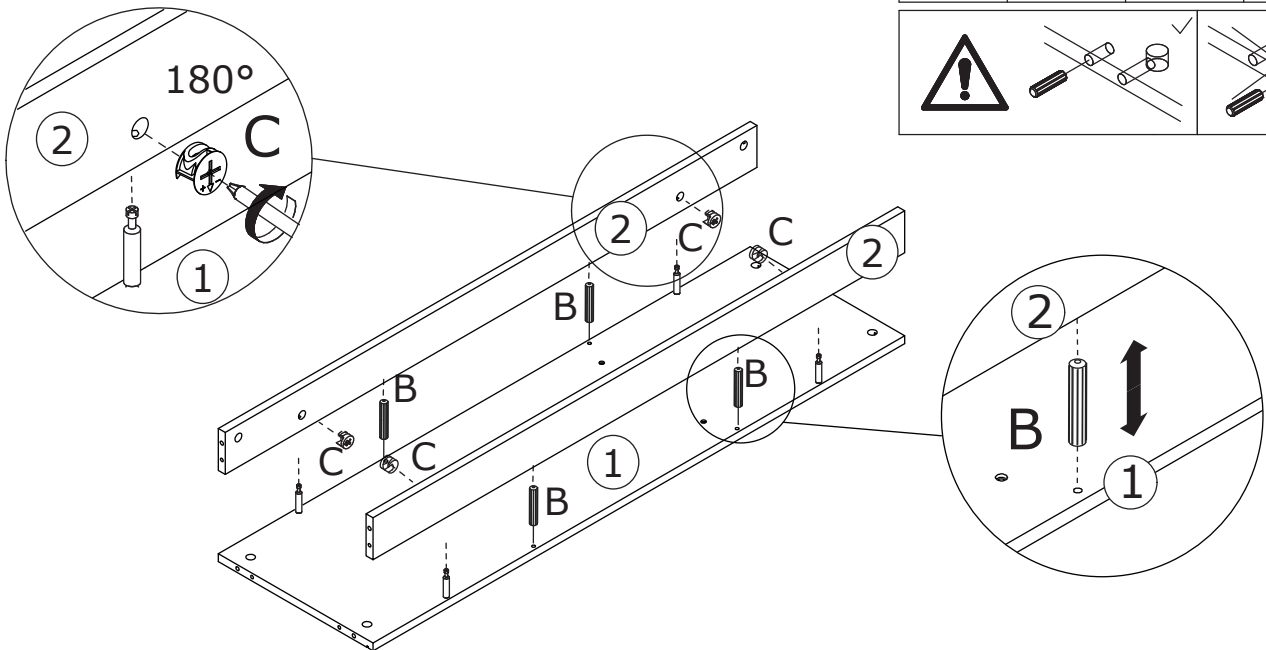
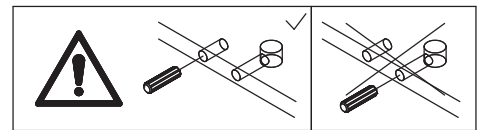
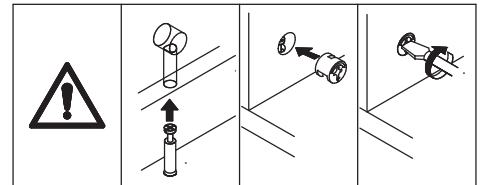
Screw eccentric rod(A) into board 1.



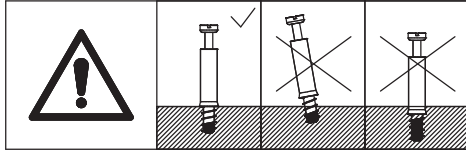
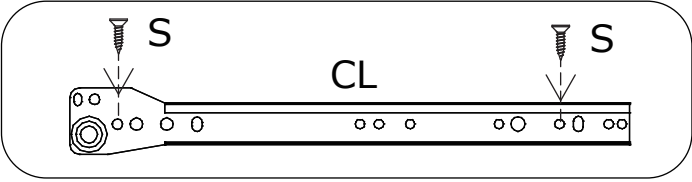
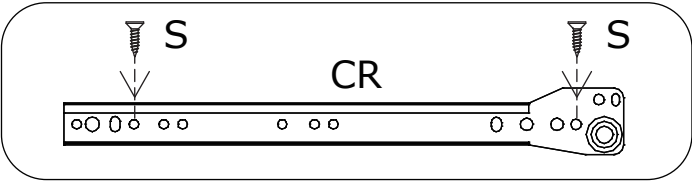
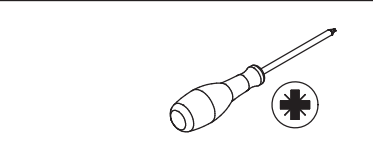
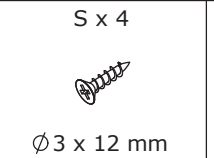
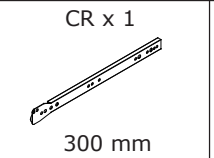
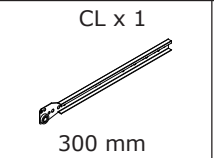
2



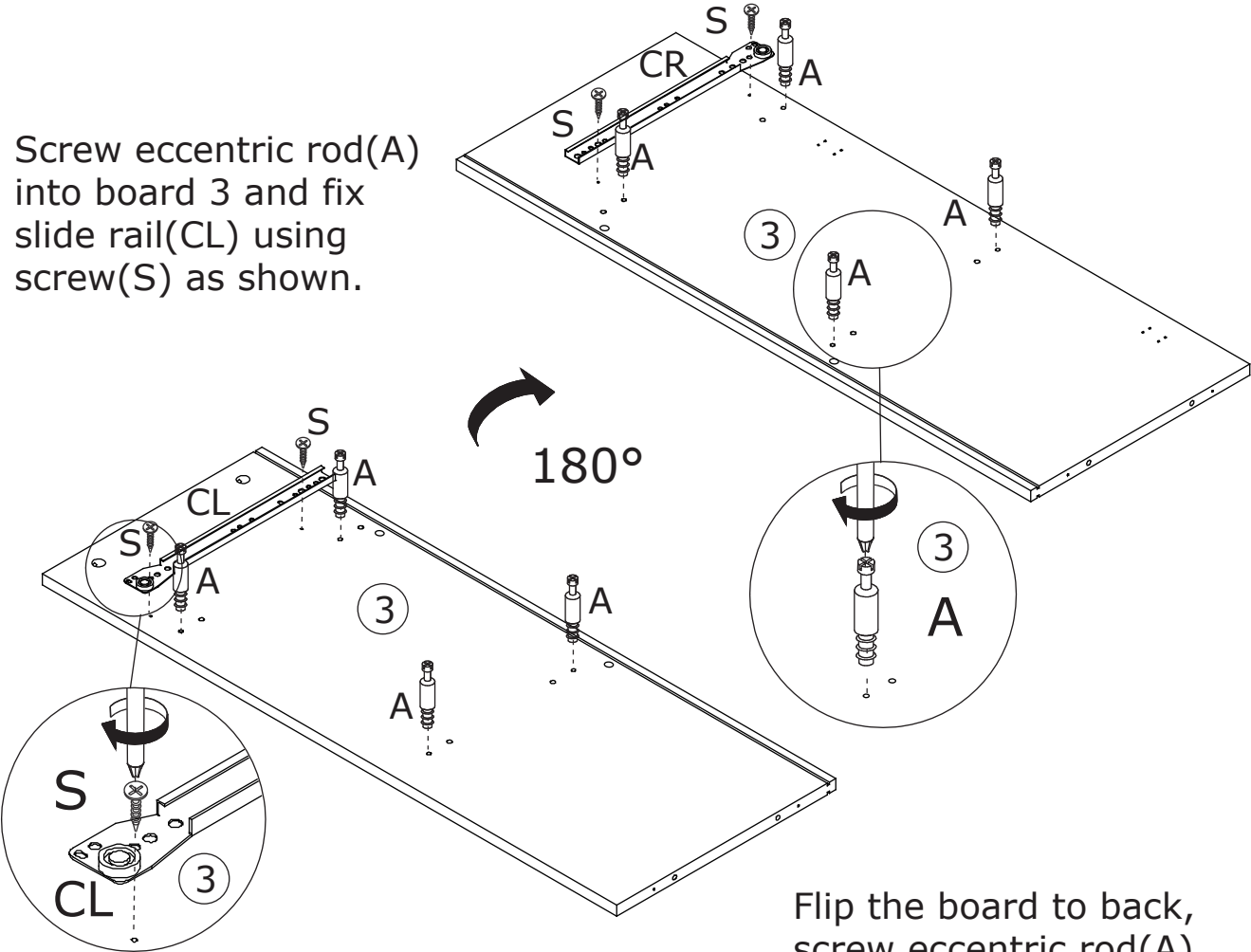
Attach board 2 to board 1 using wooden dowel(B), add cam lock(C) into board 2 and turn clockwise to tighten as shown.



3

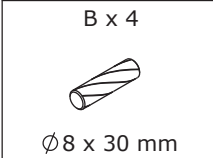


Screw eccentric rod(A) into board 3 and fix slide rail(CL) using screw(S) as shown.

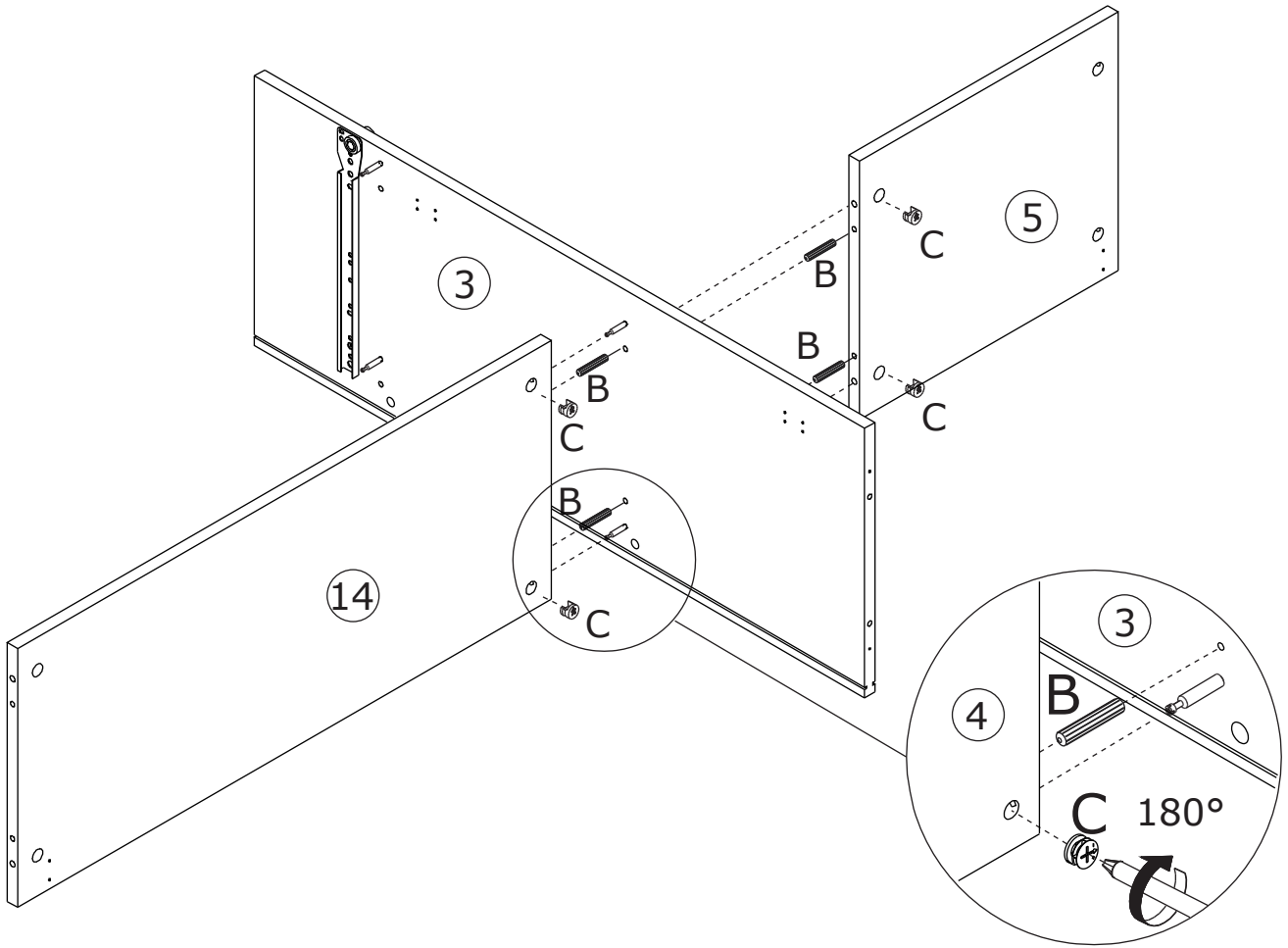
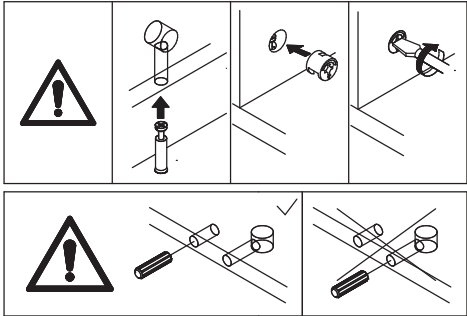


Flip the board to back, screw eccentric rod(A) into and fix slide rail(CR) using screw(S) as shown.

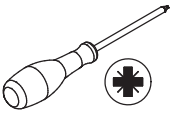
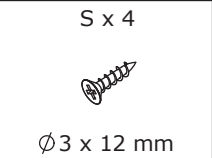
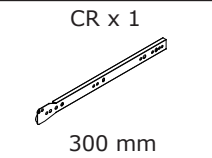
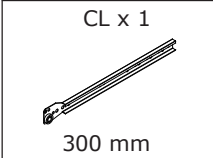
4



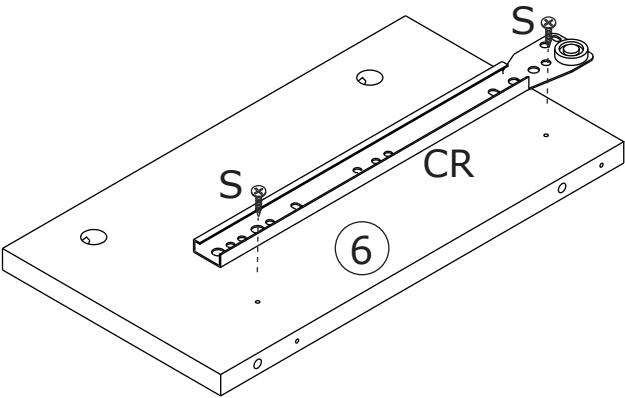
Connect board 5 and 14 to board 3 using wooden dowel(B), add cam lock(C) into board 5,14 and turn clockwise to tighten as shown.



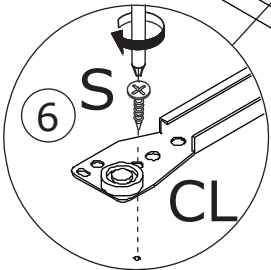
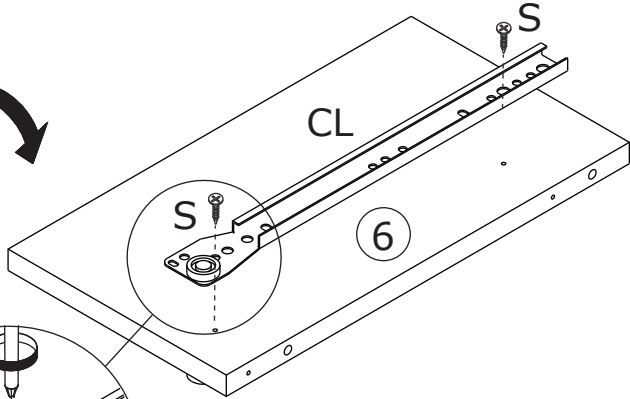
5



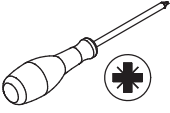
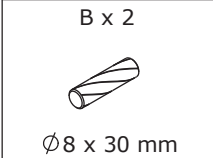
Fix slide rail(CR) to board 6 using screw(S) as shown. Flip the board to back, and fix slide rail(CL) using screw(S) as shown.



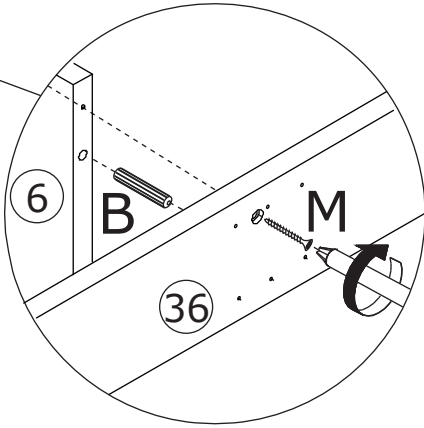
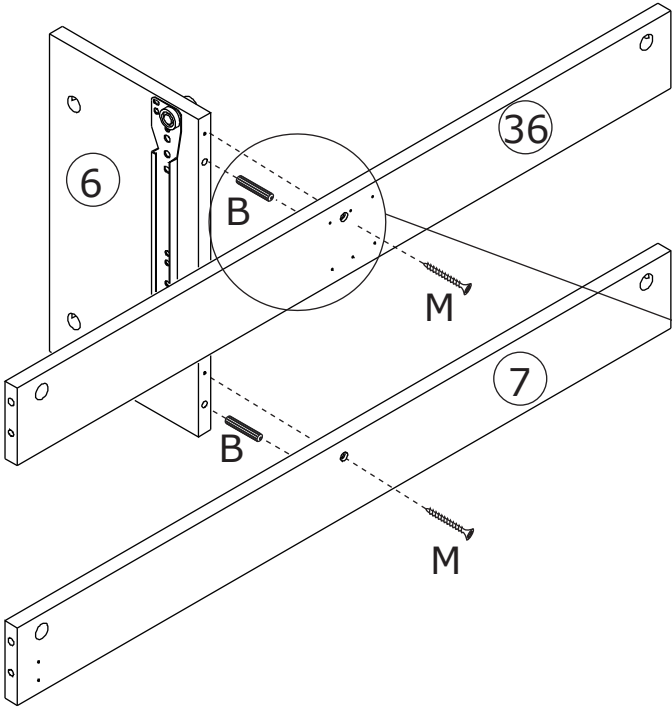
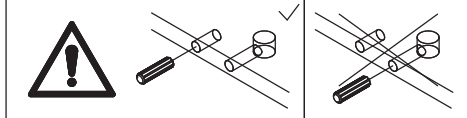
180°



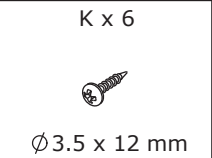
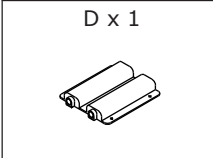
6



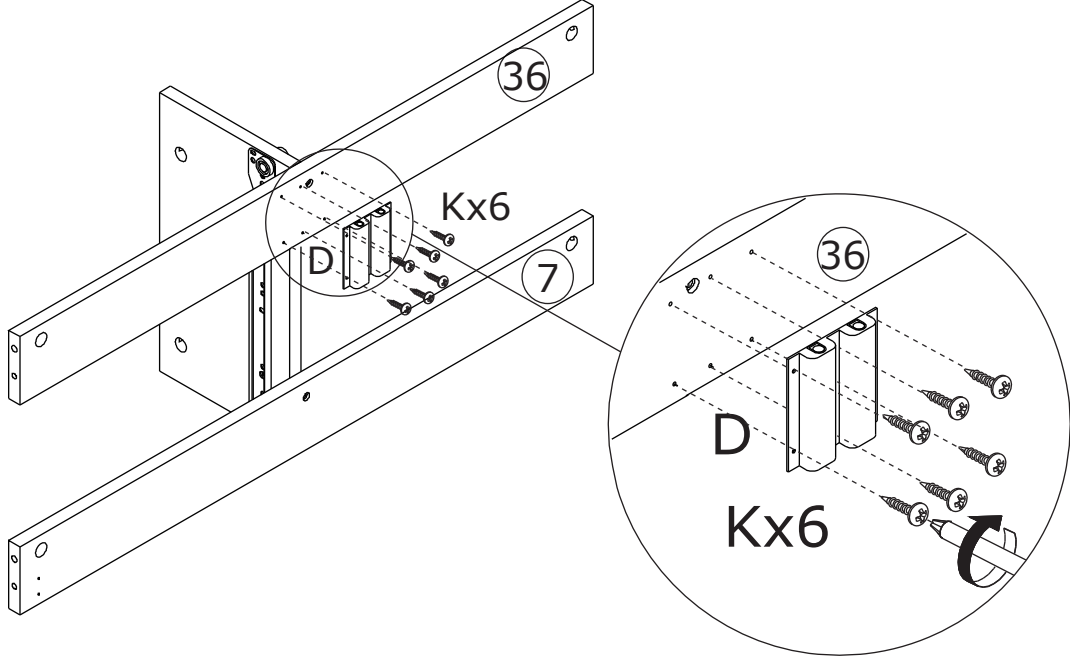
Attach board 7 and 36 to board 6 using wooden dowel(B) and fix with screw(M) as shown.



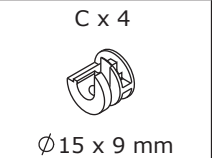
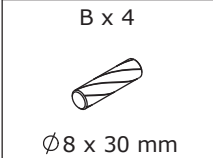
7



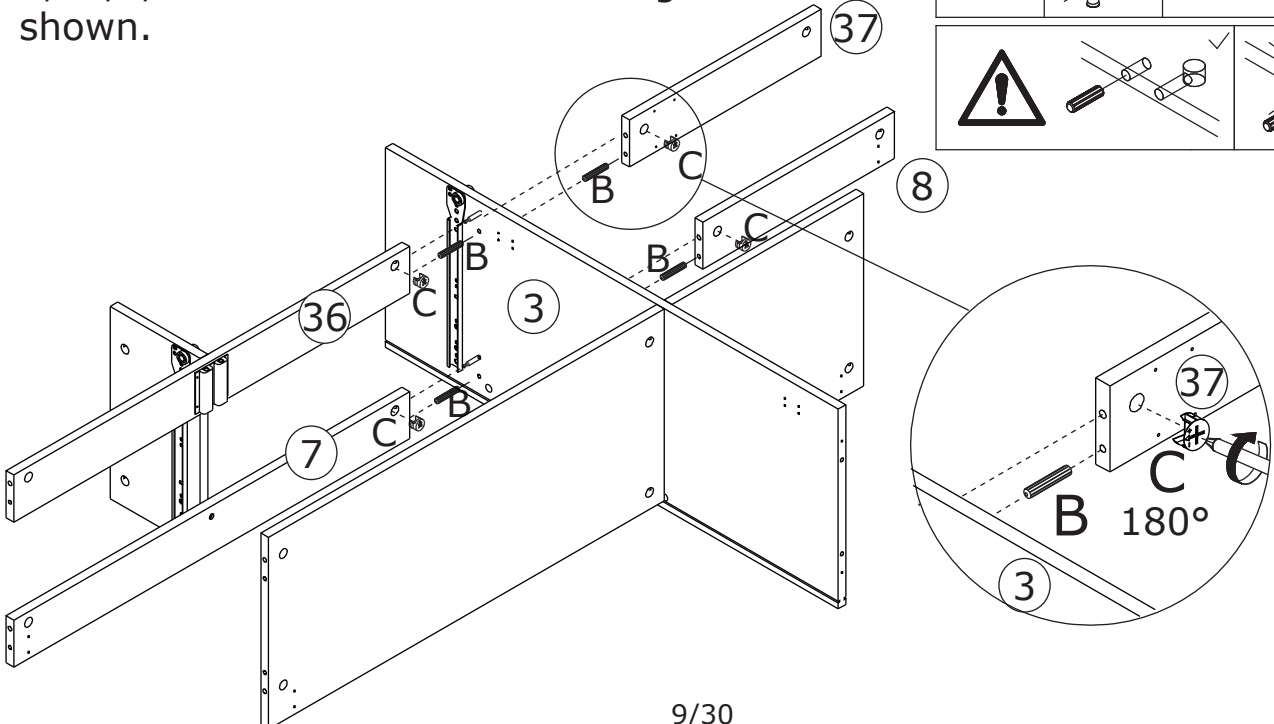
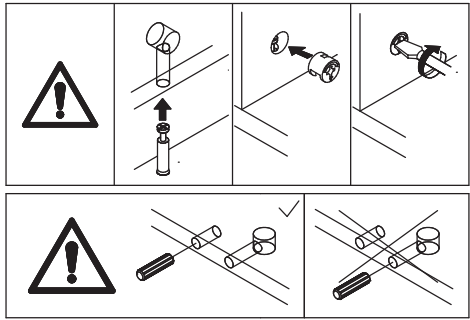
Fix rebounder(D) to board 36 with screw(K).



8

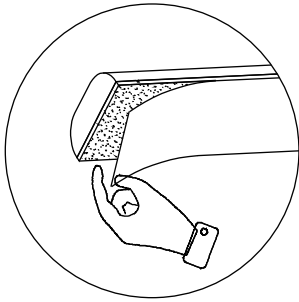


Connect board 7, 36, 8 and 37 to board 3 using wooden dowel(B), add cam lock(C) into board 7,36,8,37 and turn clockwise to tighten as shown.

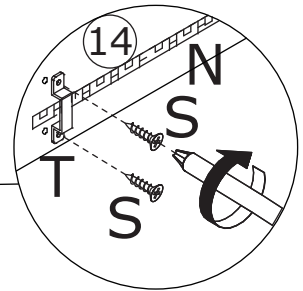
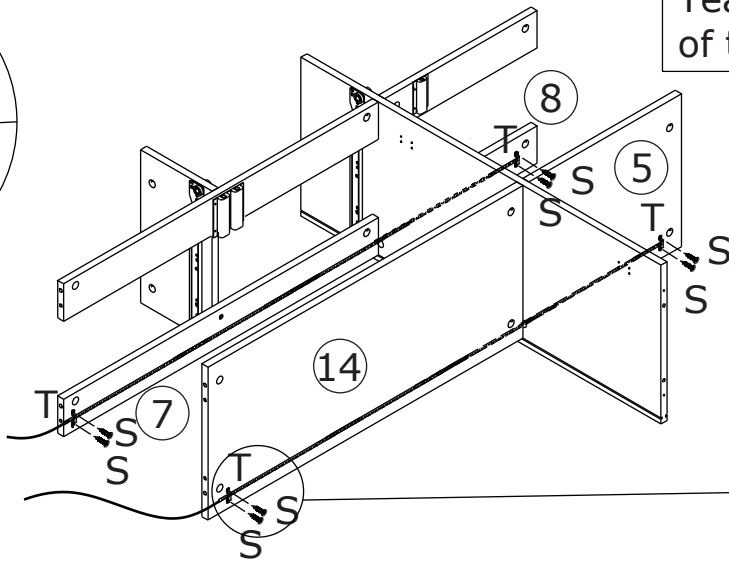
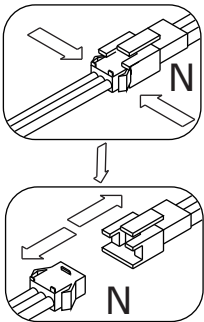


**9**

N x 2 	S x 8  Ø3 x 12 mm	T x 4 	
-----------	-------------------------	-----------	--



Tear off the back glue of the light strip!

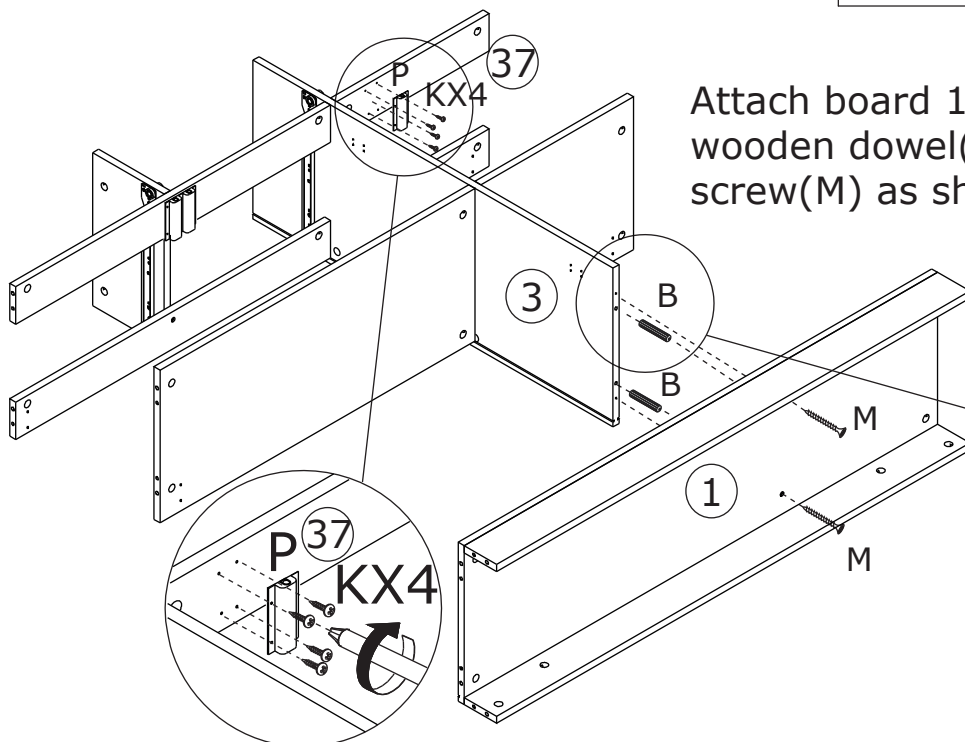
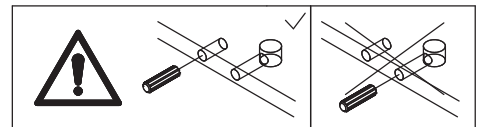


Fix light strip(N) to board 5,7,8, and 11 through part(T) using screw(S) as shown.

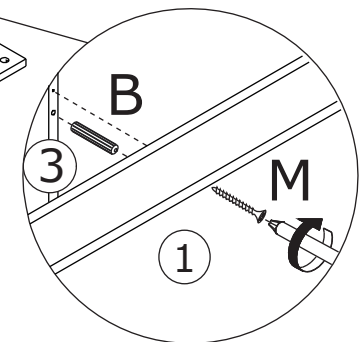
**10**

B x 2  Ø8 x 30 mm	K x 4  Ø3.5 x 12 mm	M x 2  Ø4 x 35 mm	P x 1 	
-------------------------	---------------------------	-------------------------	-----------	--

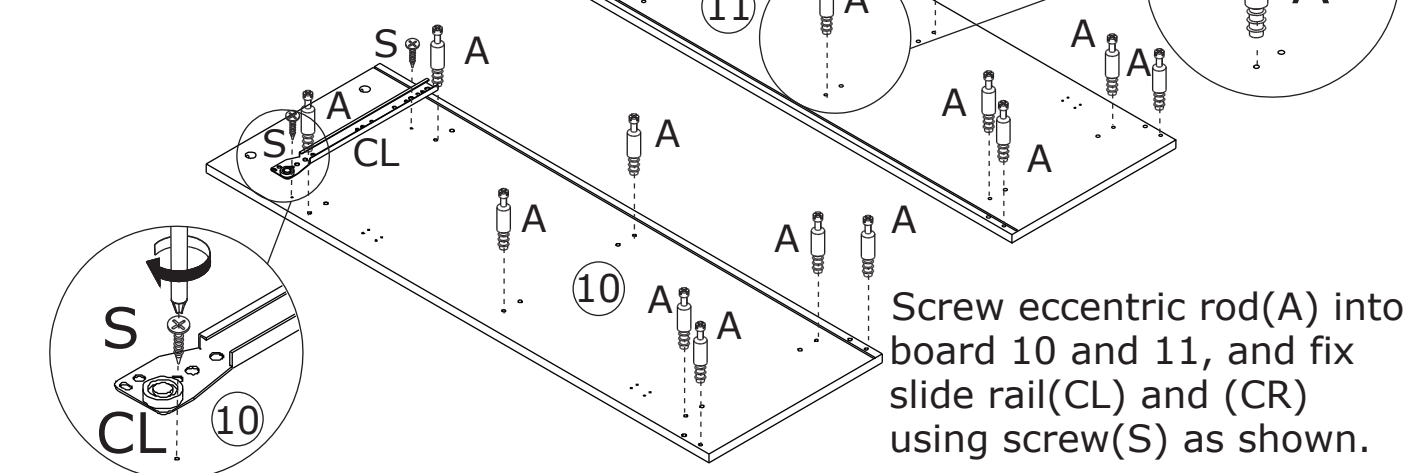
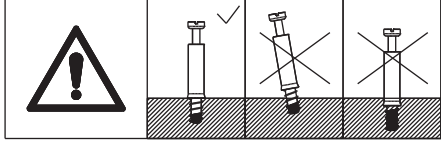
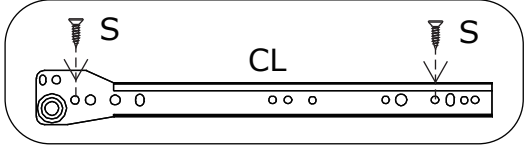
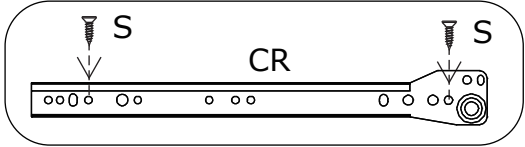
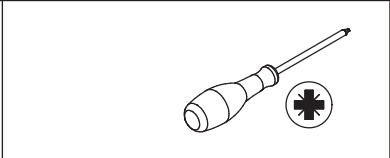
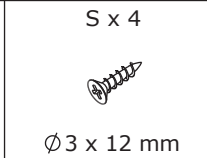
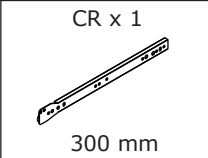
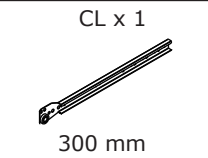
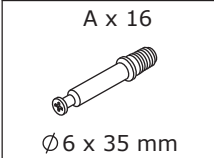
Fix rebounder(P) to board 37 with screw(K).



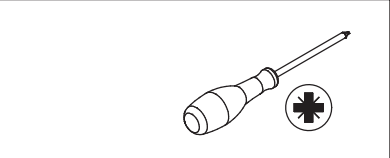
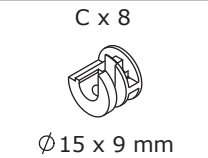
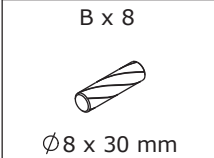
Attach board 1 to board 3 using wooden dowel(B) and fix with screw(M) as shown.



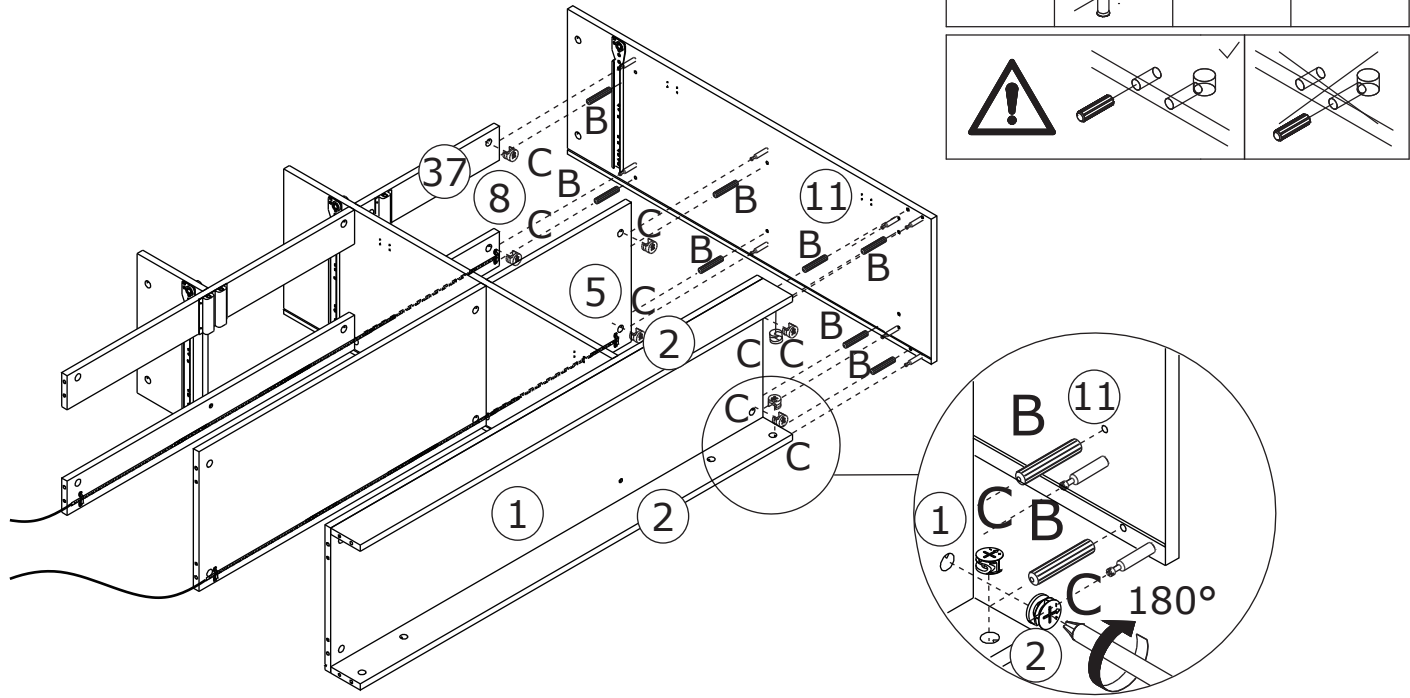
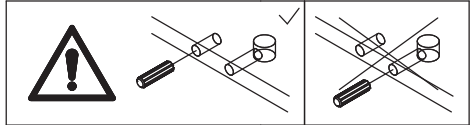
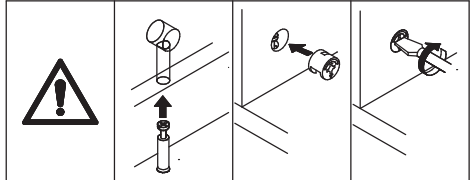
# 11



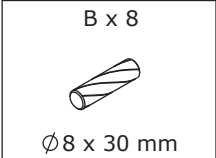
# 12



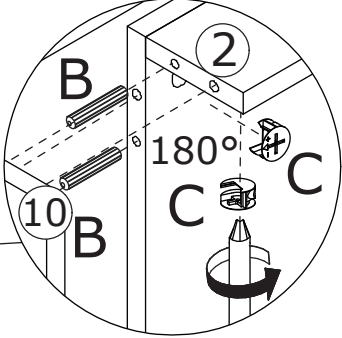
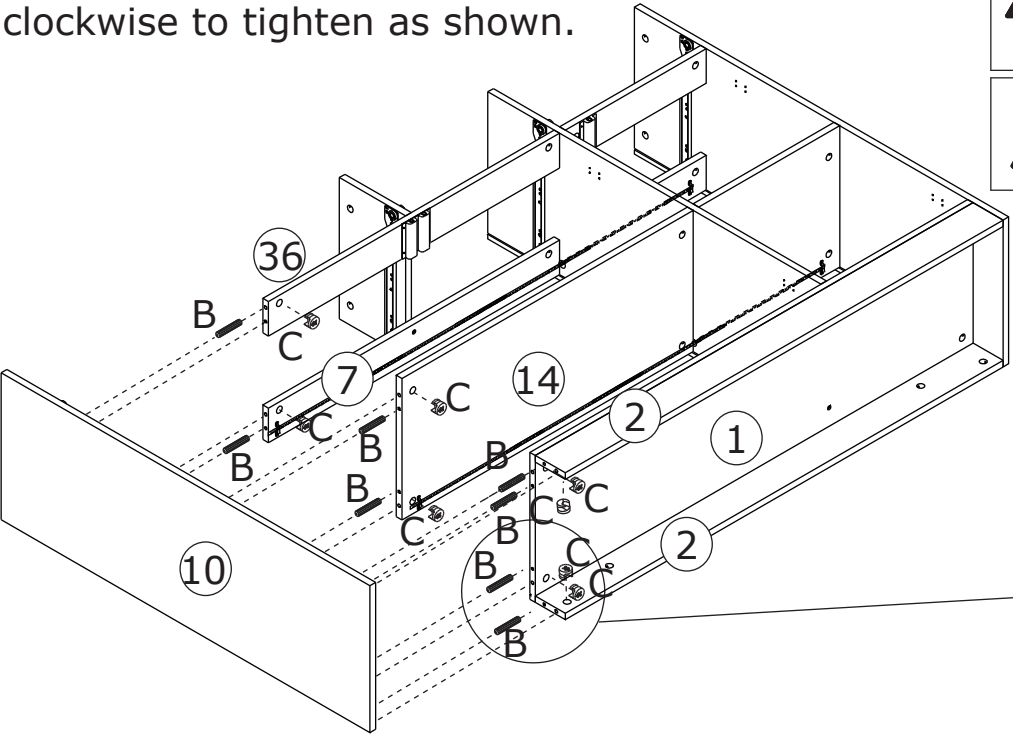
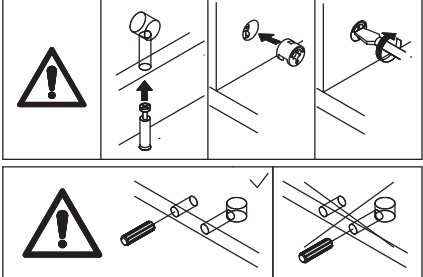
Attach board 11 to board 37, 8, 5, 2 and 1 using wooden dowel(B), add cam lock(C) into and turn clockwise to tighten as shown.



13



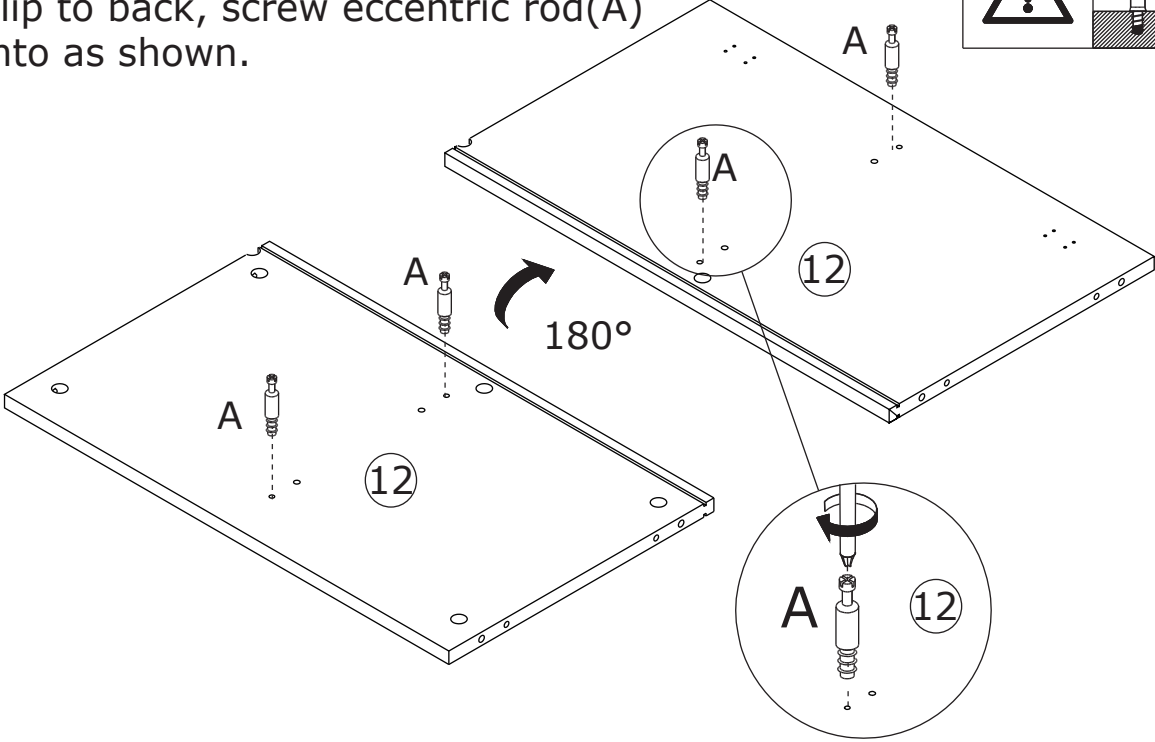
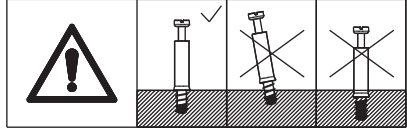
Attach board 10 to board 36, 7, 14, 2 and 1 using wooden dowel(B), add cam lock(C) into and turn clockwise to tighten as shown.



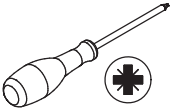
14



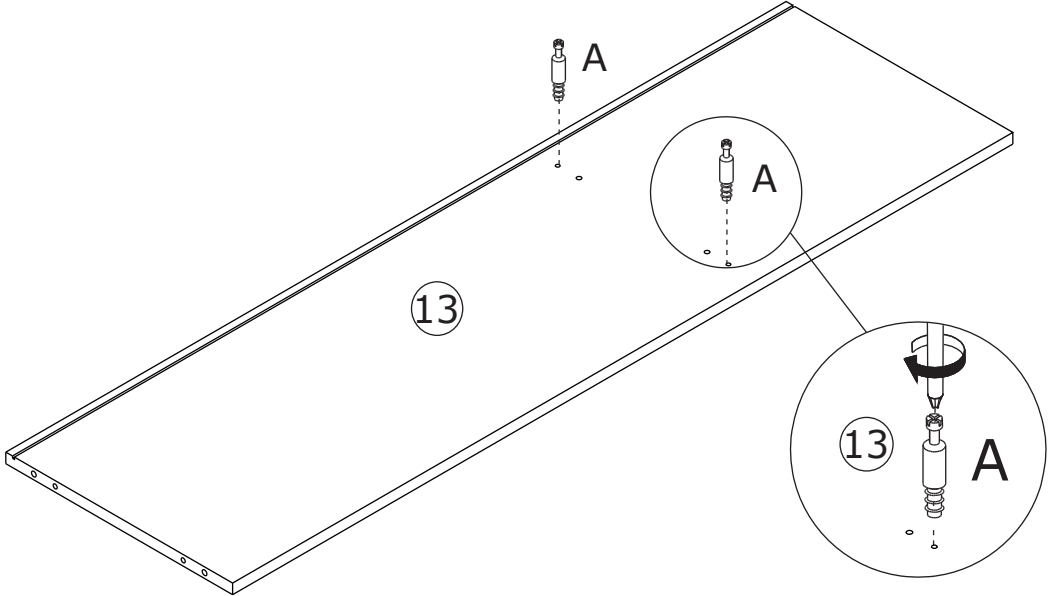
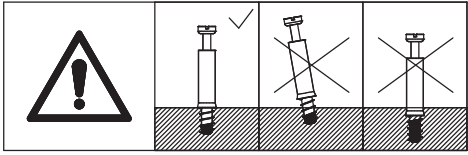
Screw eccentric rod(A) into board 12. Flip to back, screw eccentric rod(A) into as shown.



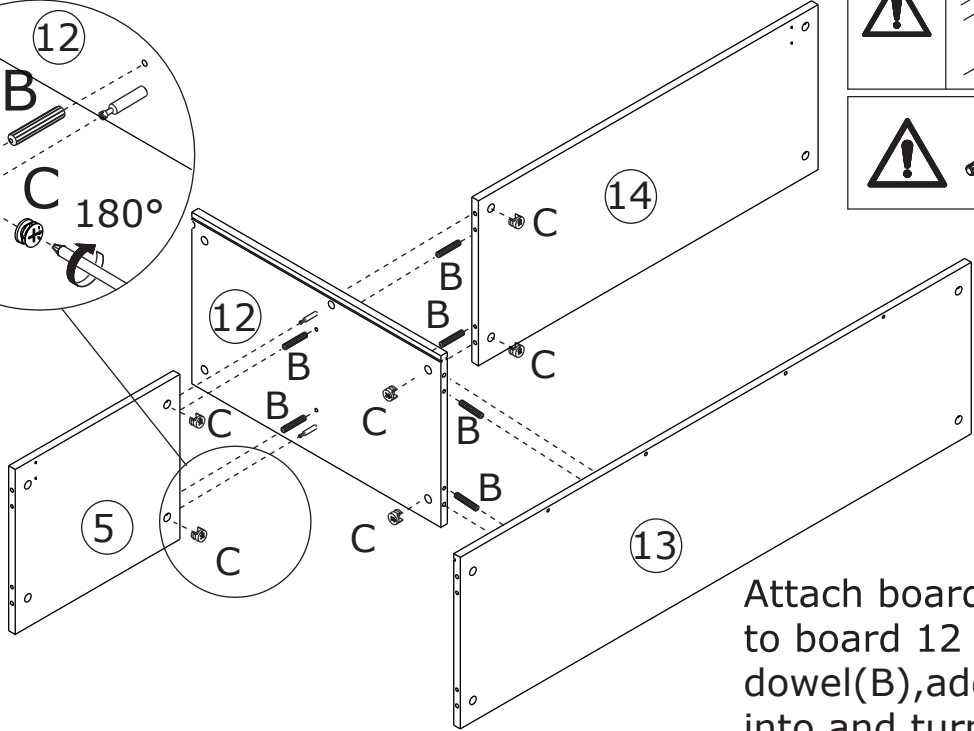
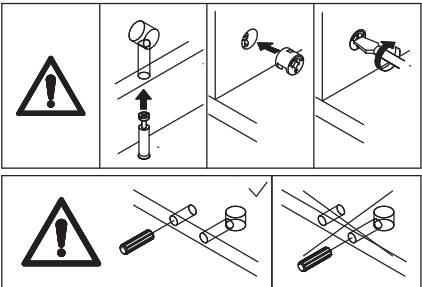
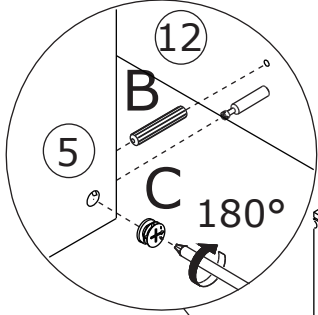
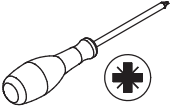
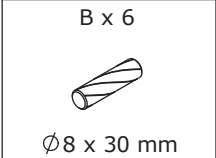
15



Screw eccentric rod(A) into board 13.

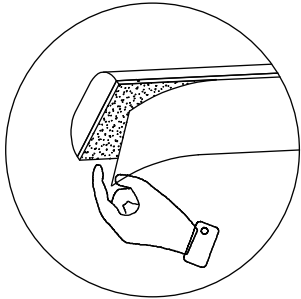
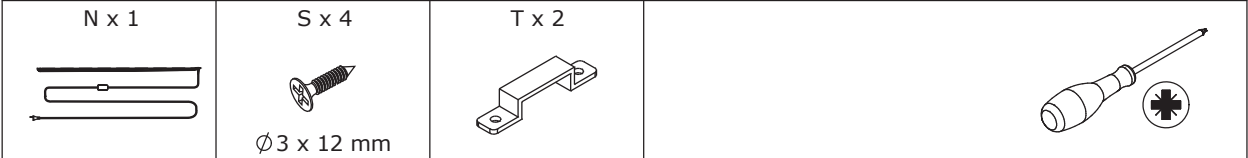


16

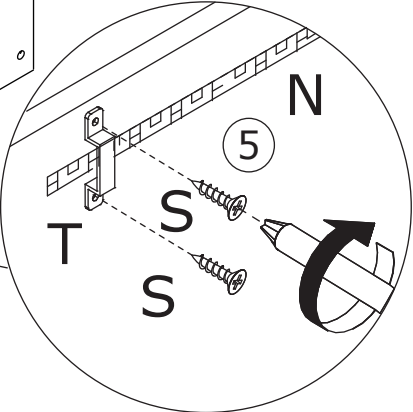
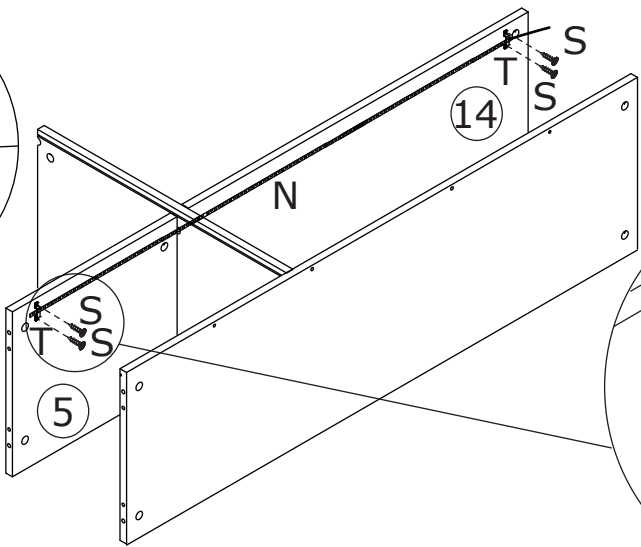
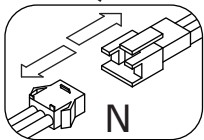
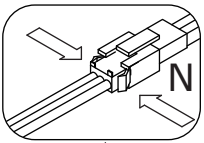


Attach board 5, 14 and 13 to board 12 using wooden dowel(B), add cam lock(C) into and turn clockwise to tighten as shown.

17

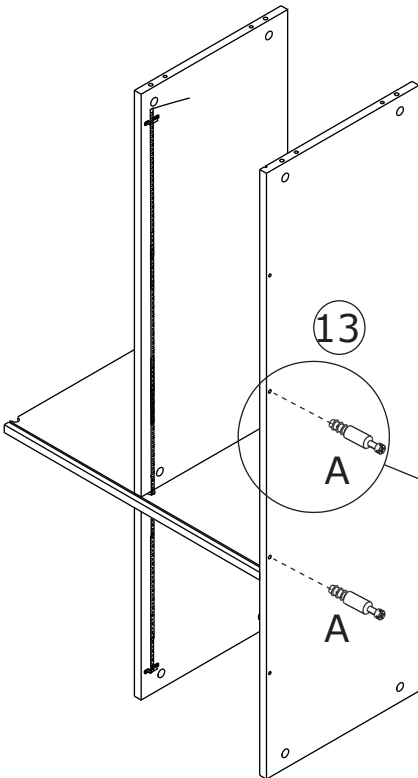


Tear off the back glue of the light strip!

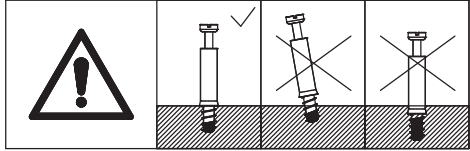


Fix light strip(N) to board 5 and 14 through part(T) using screw(S) as shown.

18



Screw eccentric rod(A) into board 13.

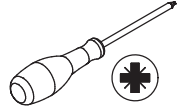


# 19

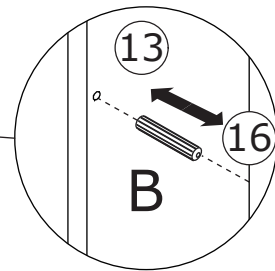
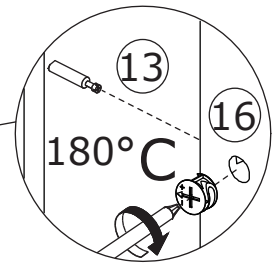
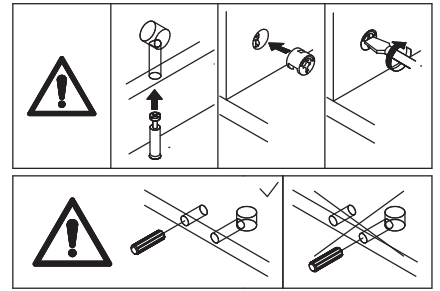
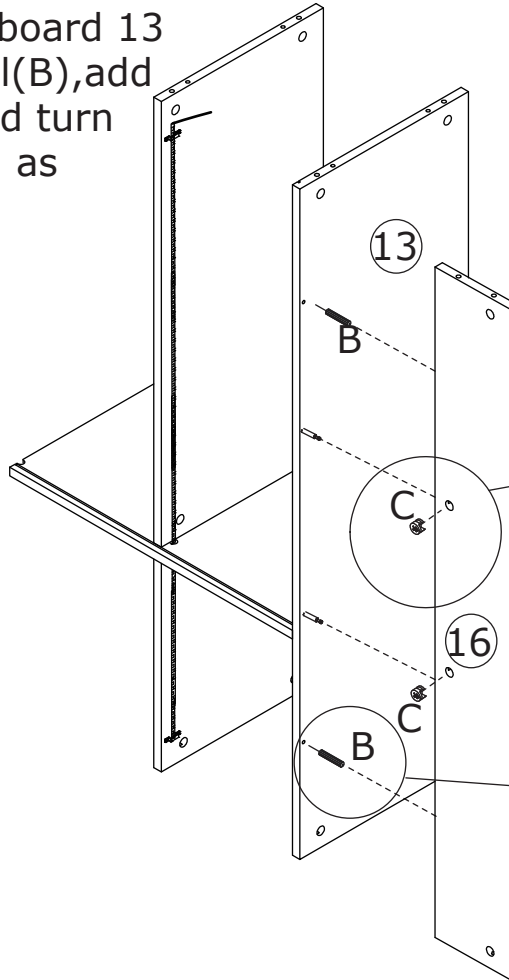
B x 2



C x 2

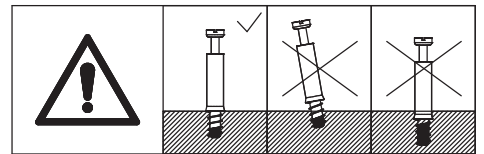
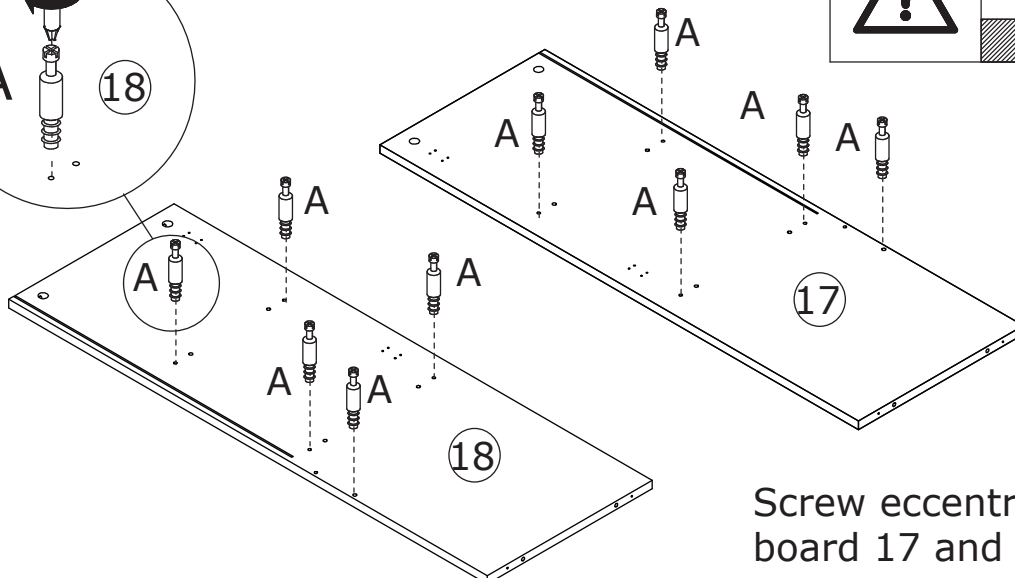
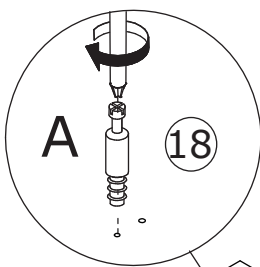
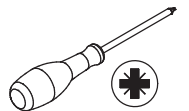


Attach board 16 to board 13 using wooden dowel (B), add cam lock (C) into and turn clockwise to tighten as shown.



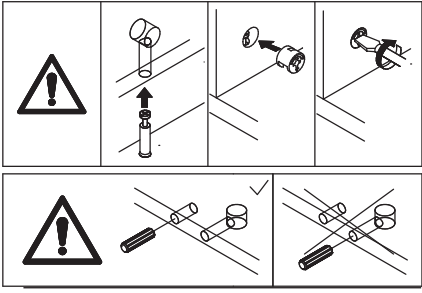
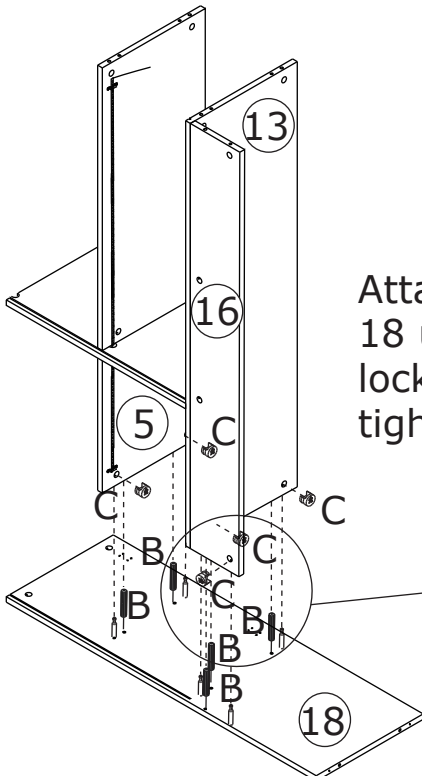
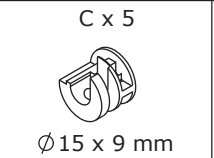
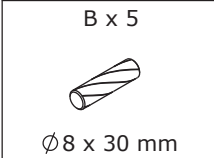
# 20

A x 10

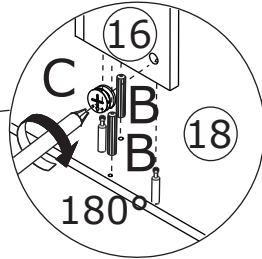


Screw eccentric rod (A) into board 17 and board 18.

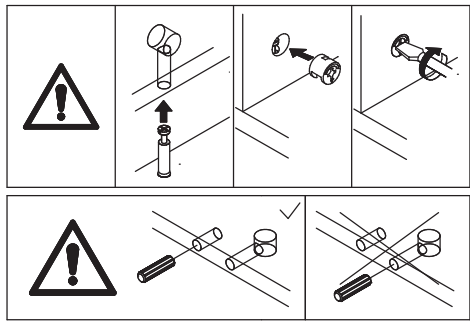
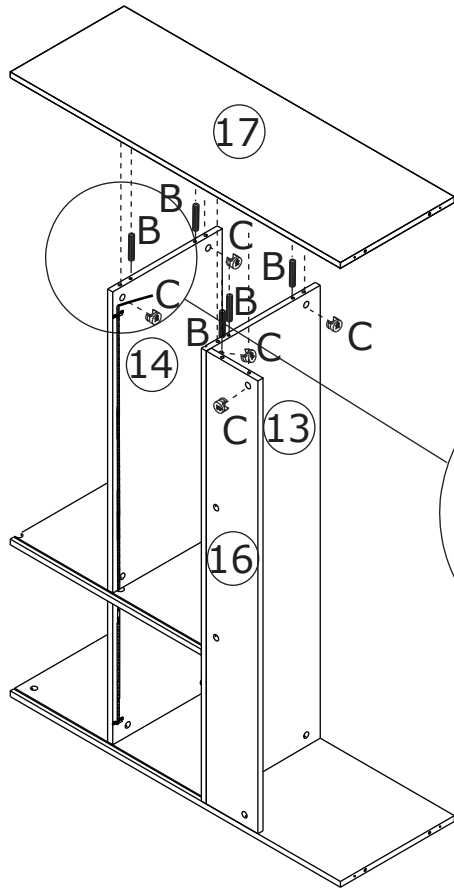
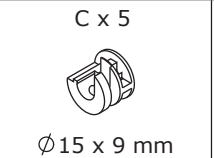
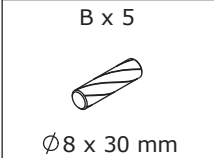
21



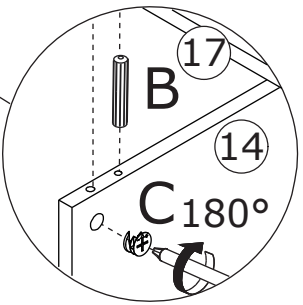
Attach board 5, 16 and 13 to board 18 using wooden dowel(B), add cam lock(C) into and turn clockwise to tighten as shown.



22



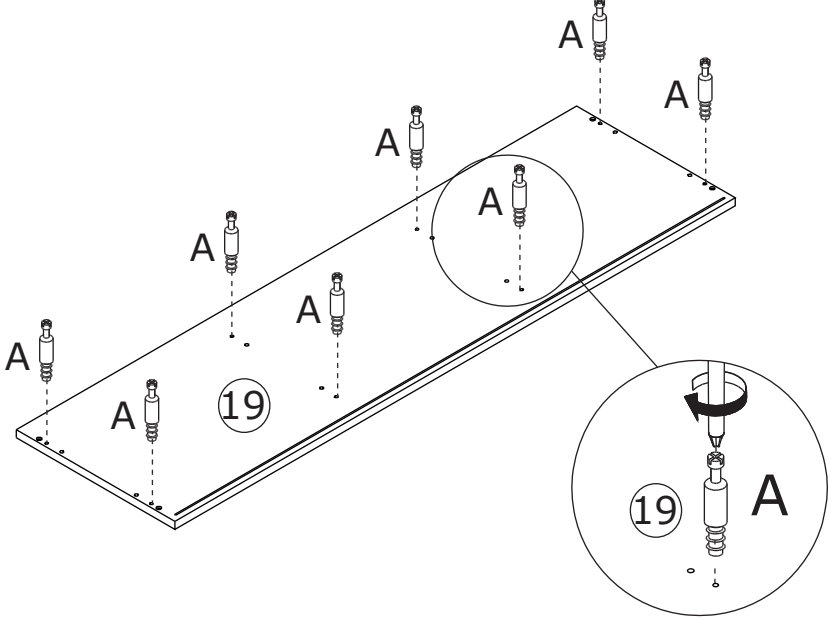
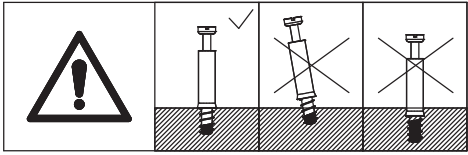
Attach board 16, 14 and 13 to board 17 using wooden dowel(B), add cam lock(C) into and turn clockwise to tighten as shown.



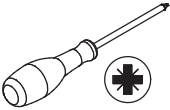
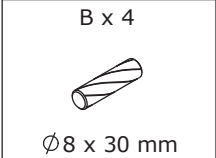
23



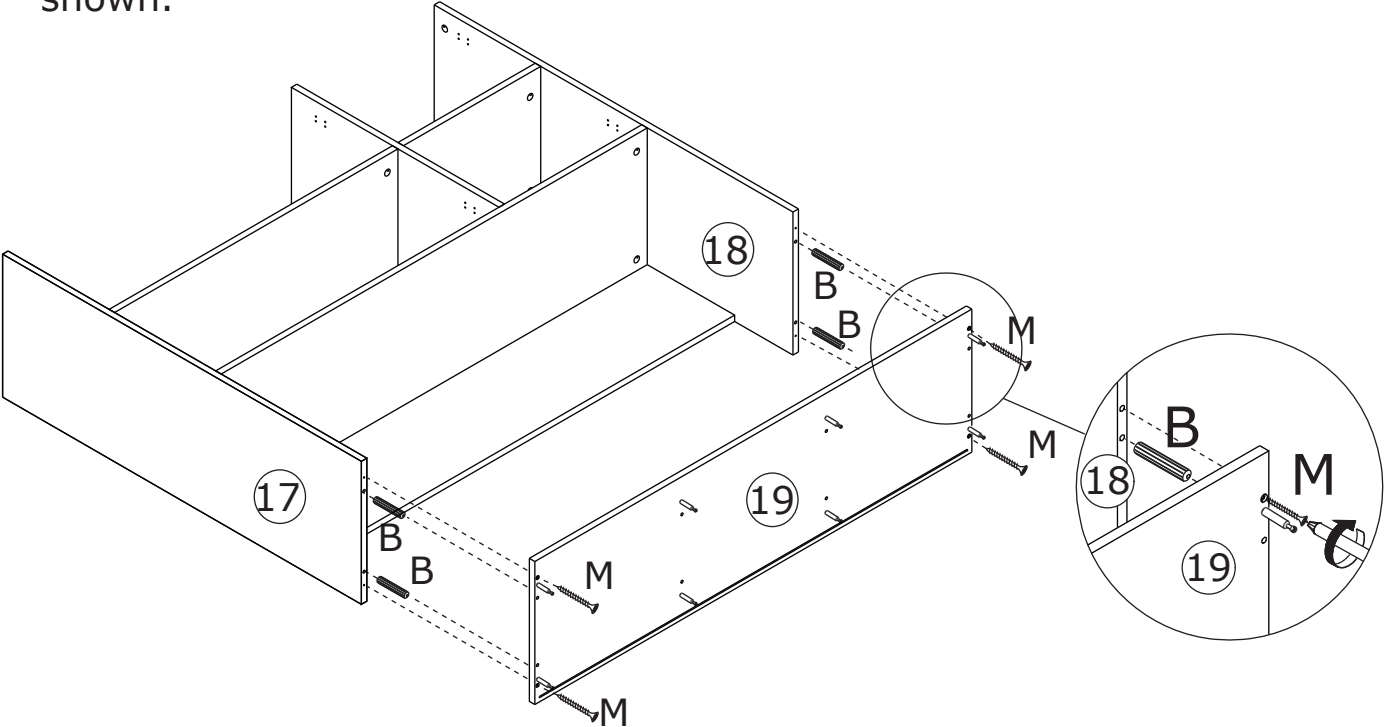
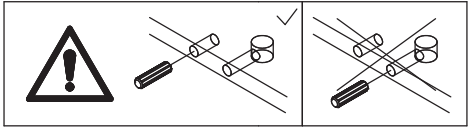
Screw eccentric rod(A) into board 19.



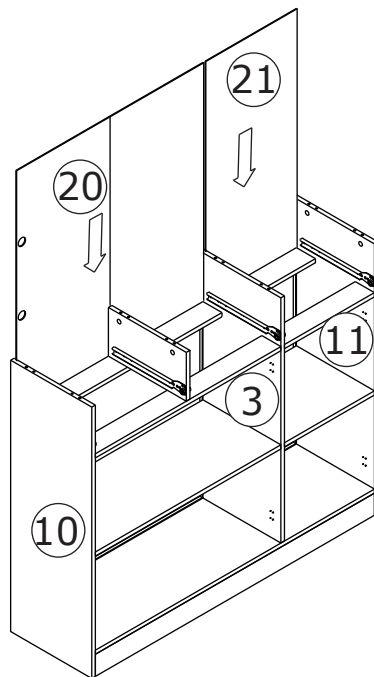
24



Attach board 19 to board 17 and 18 using wooden dowel(B), and fix with screw(M) as shown.

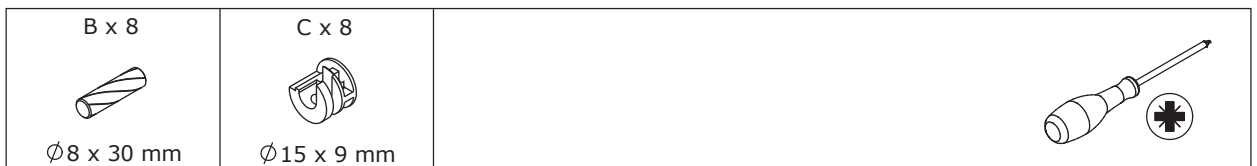


25

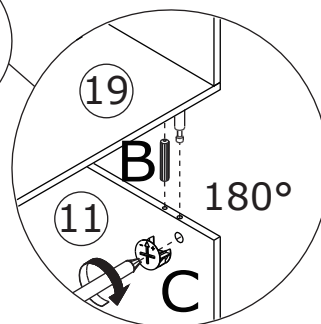
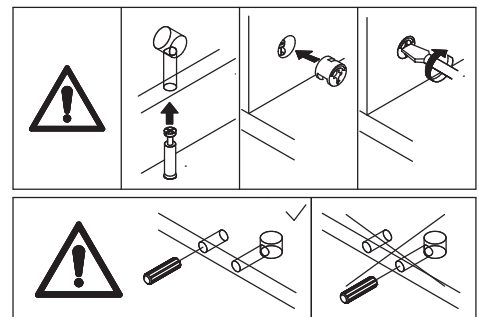
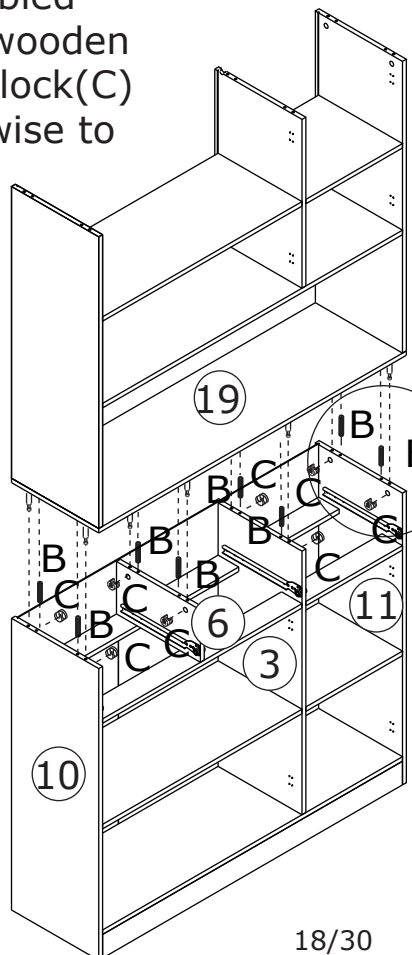


Insert back board 20 and 21 along available grooves.

26

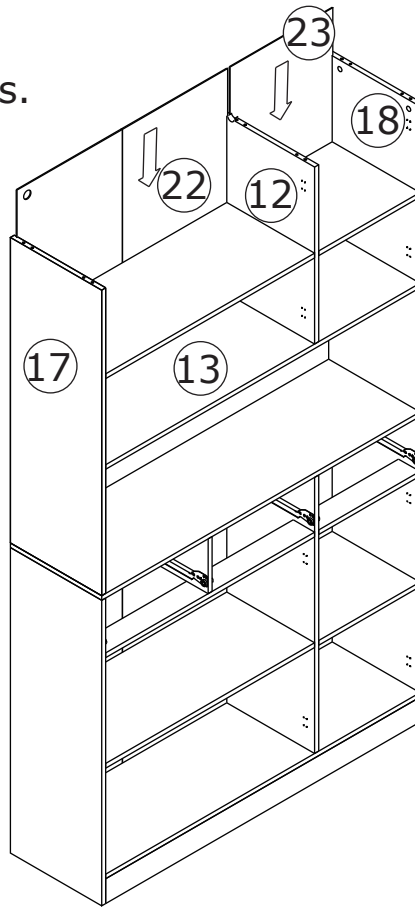


Connect two assembled components using wooden dowel(B), add cam lock(C) into and turn clockwise to tighten as shown.

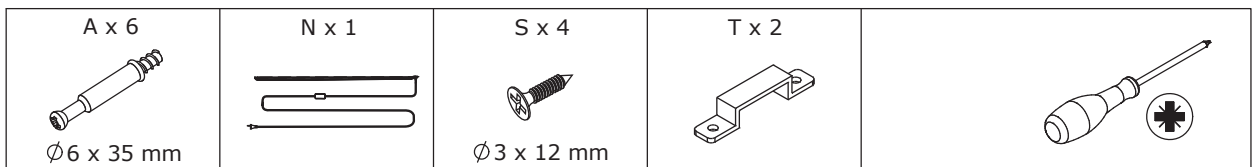


# 27

Insert back board 22 and 23 along available grooves.

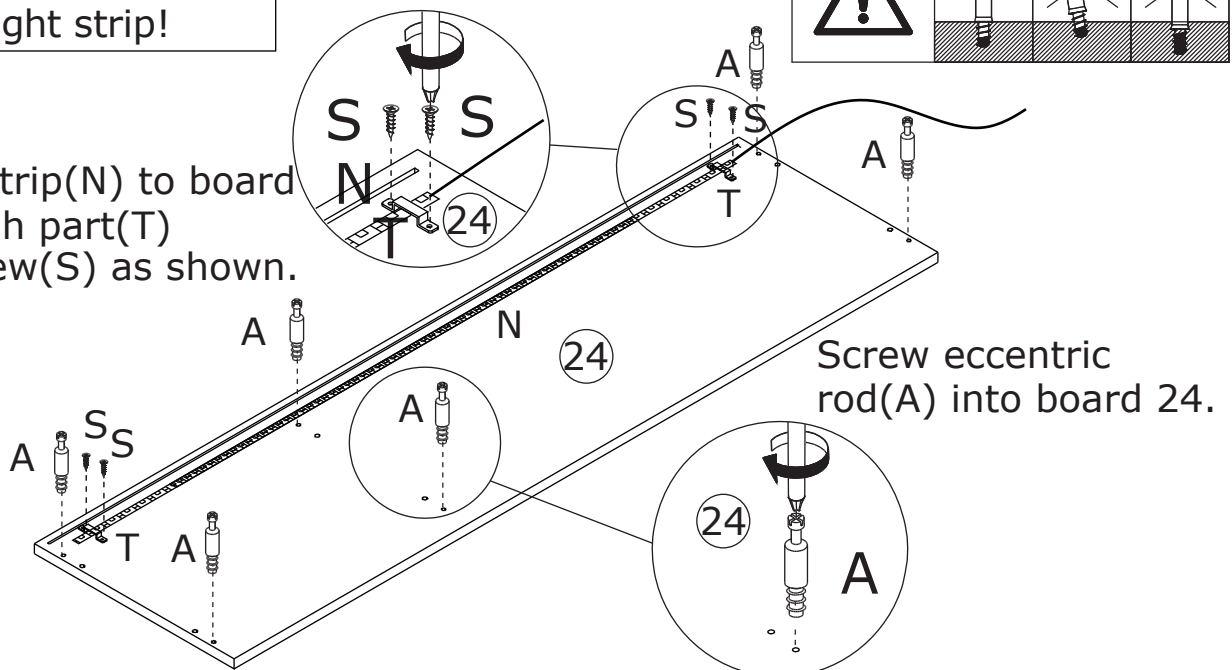
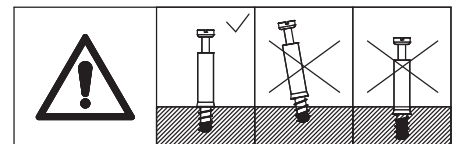


# 28



Tear off the back glue of the light strip!

Fix light strip(N) to board 24 through part(T) using screw(S) as shown.



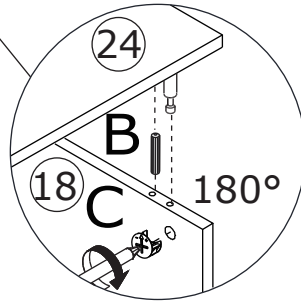
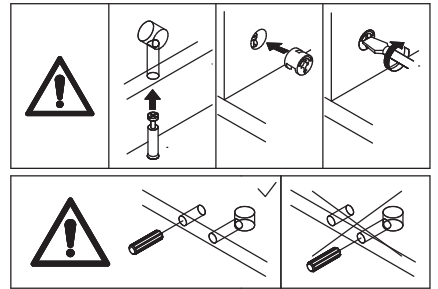
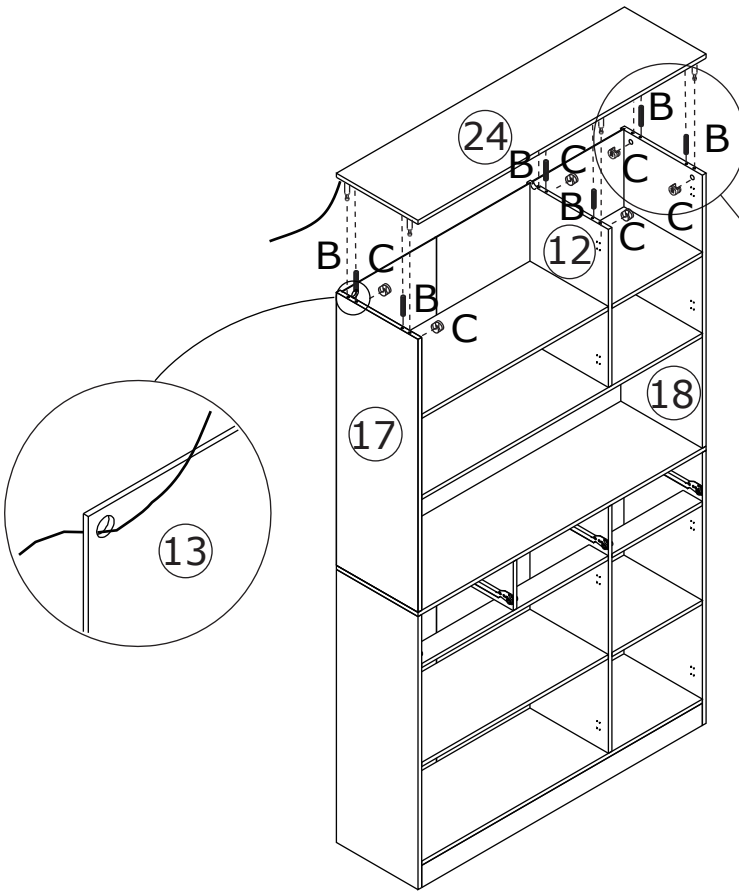
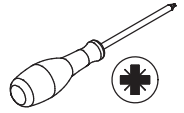
Screw eccentric rod(A) into board 24.

# 29

B x 6



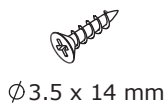
C x 6



Attach board 24 to the top using wooden dowel(B), add cam lock(C) into and turn clockwise to tighten as shown.

# 30

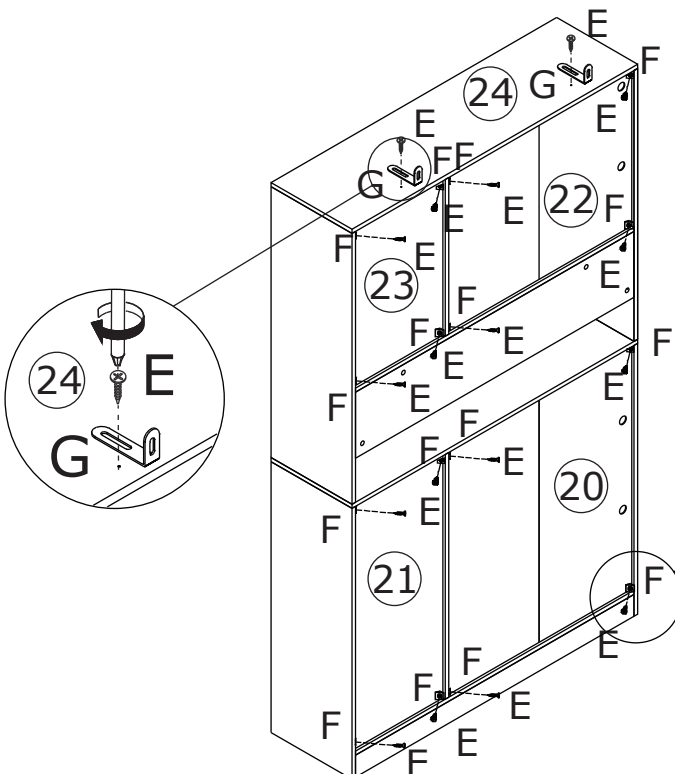
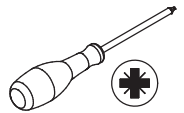
E x 18



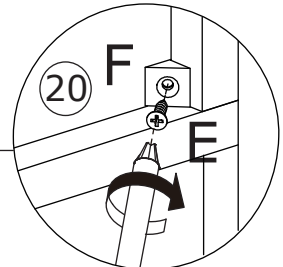
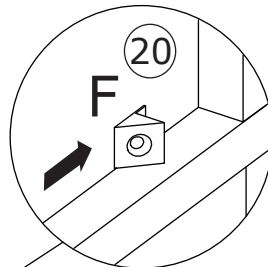
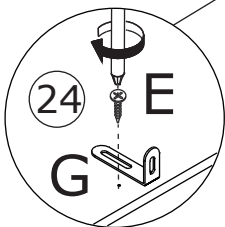
F x 16



G x 2

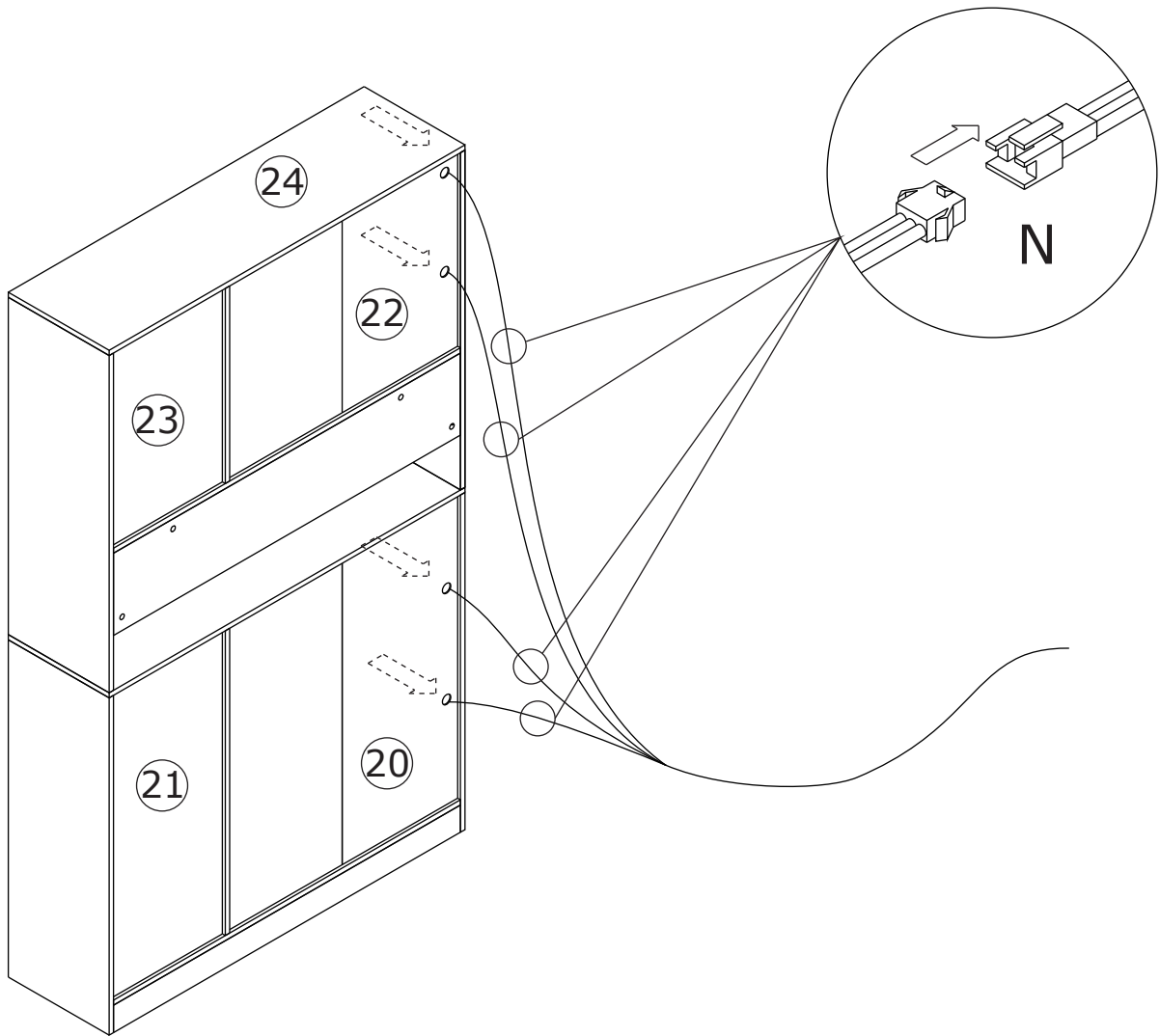


Insert backboard fastener(F) and fix with screw(E). Then fix anti-tip device(G) to board 13 with screw(E).



31

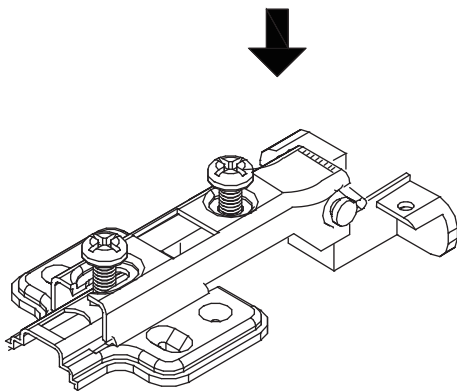
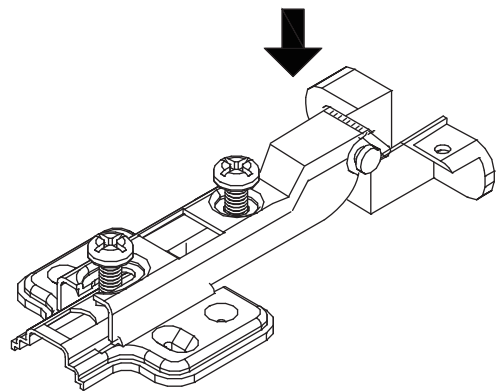
Connect the light strip(N)  
to the interface.



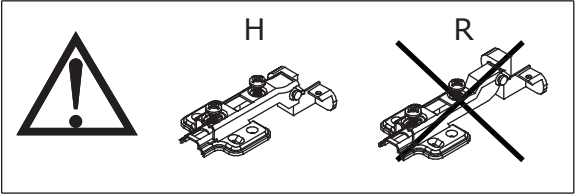


Pay attention to the difference between the middle parts of the two types of door hinges.

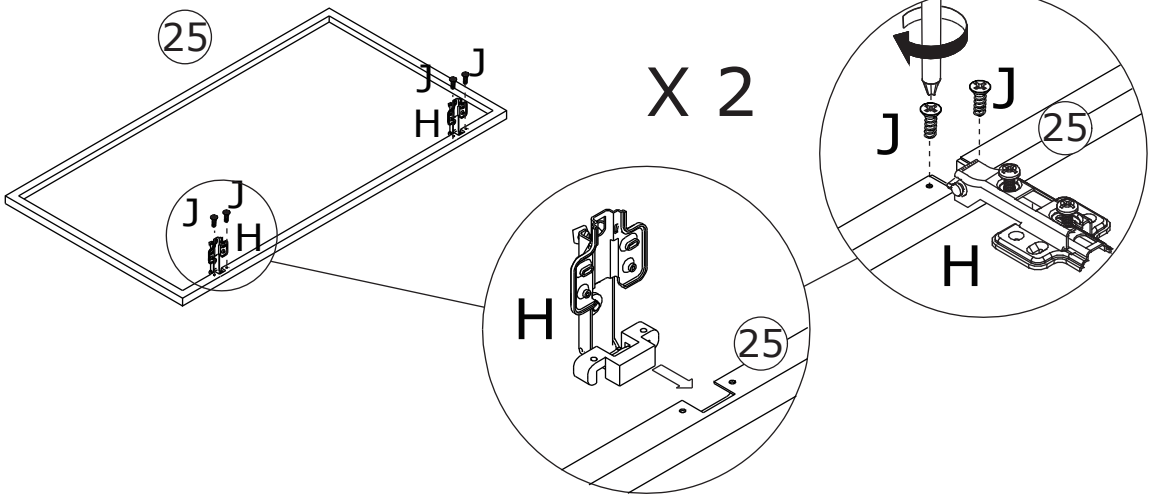
- The curved door hinges(H) are used on the outermost door plates
- And the full coverage door hinges(R) are used on the door panel in the middle of the cabinet.

**H****R**

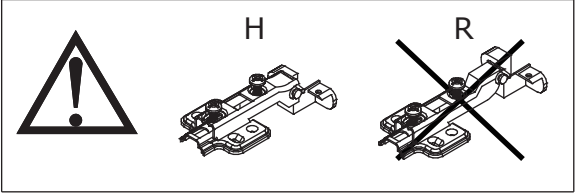
33



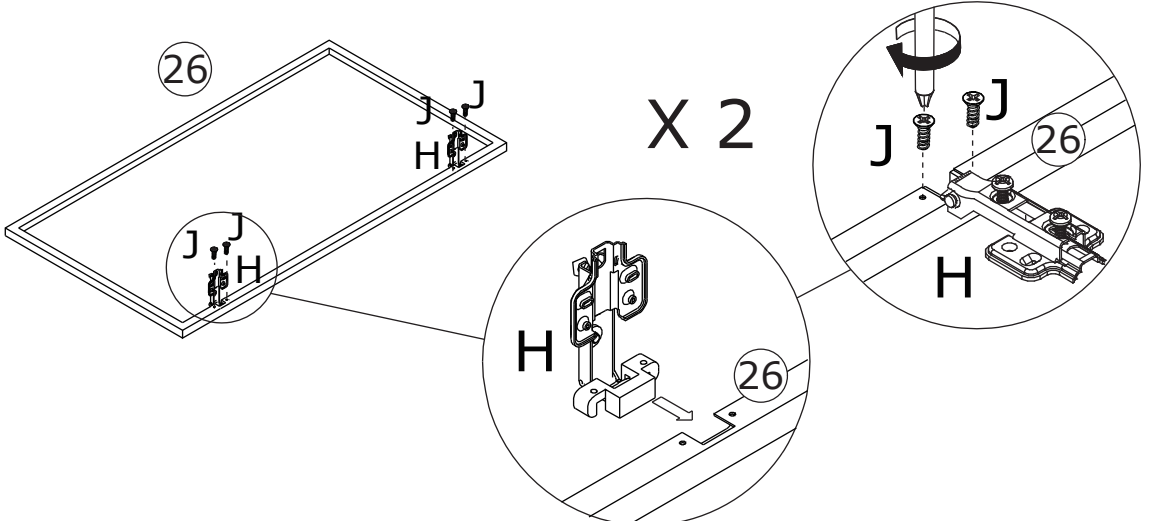
Fix hinge(H) to door 25 with screw(J).




34

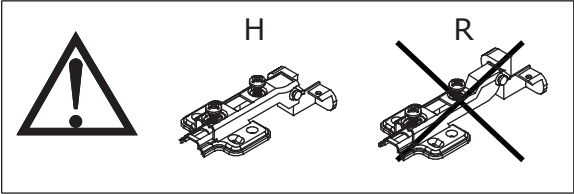
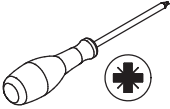


Fix hinge(H) to door 26 with screw(J).

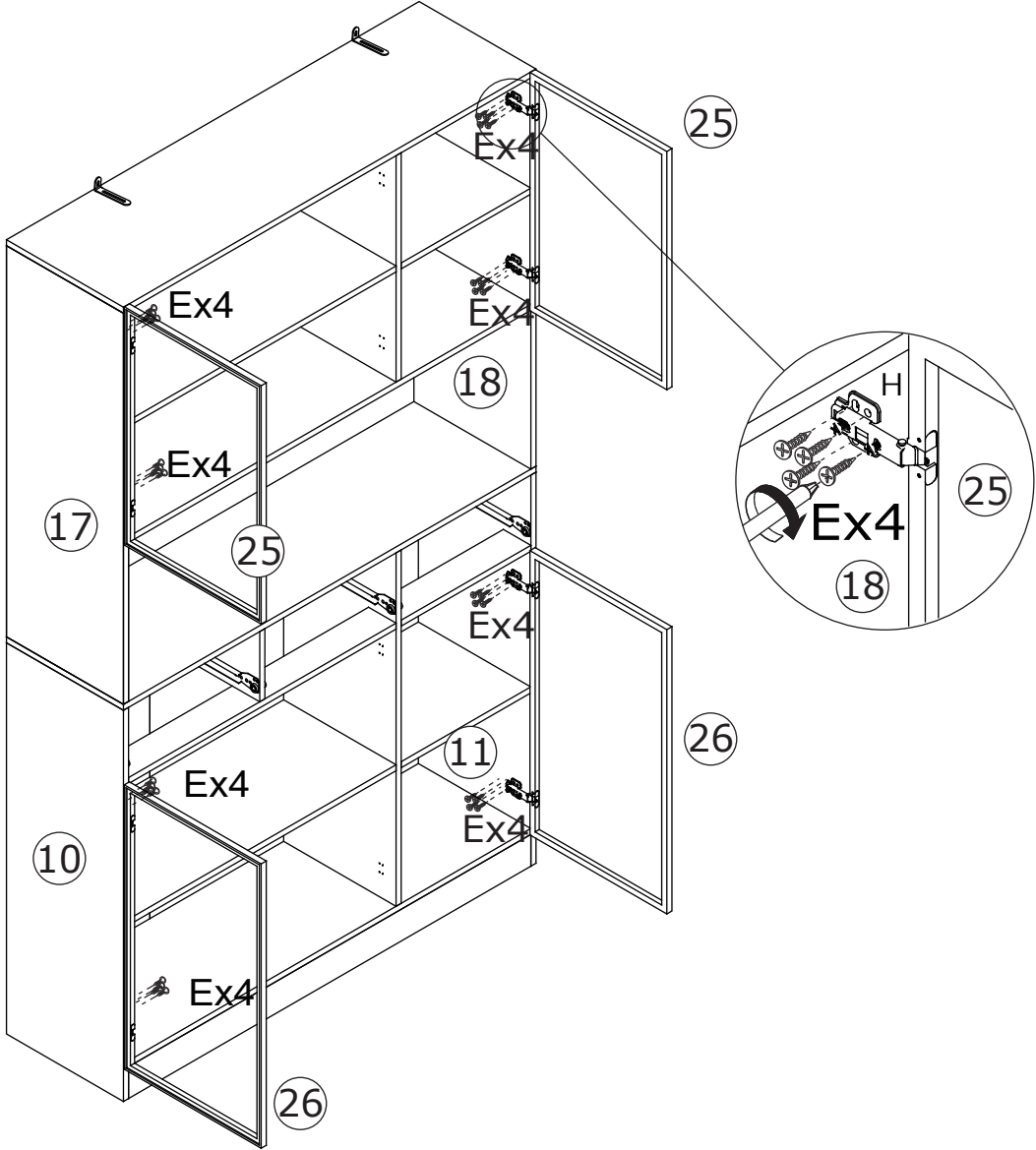


35

E x 32  
  
Ø 3.5 x 14 mm



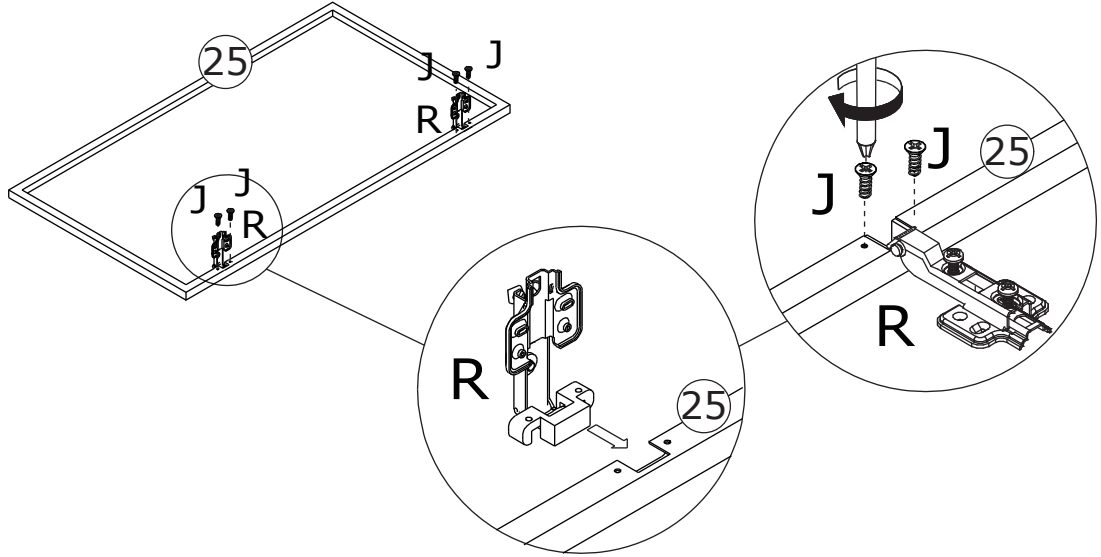
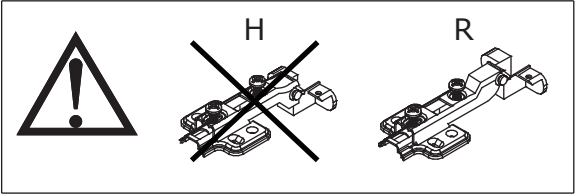
Assemble door 25 to upper cabinet;  
door 26 to lower cabinet by fixing  
hinge with screw(E) as shown.



36



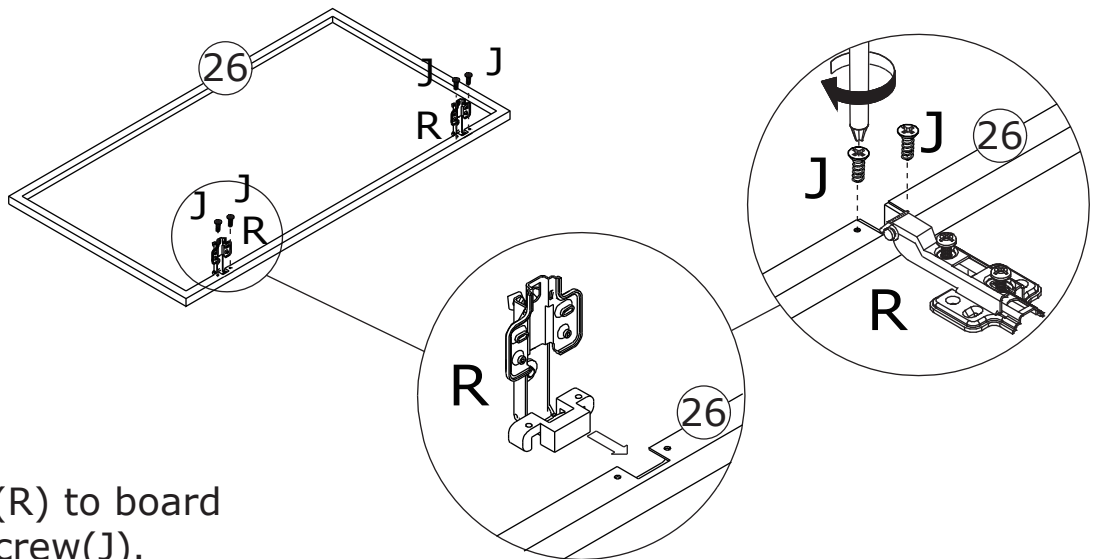
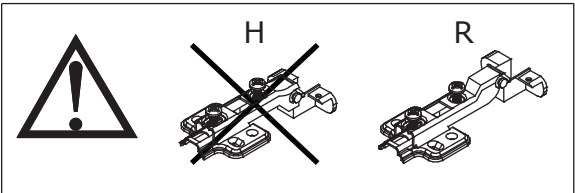
Fix hinge(R) to board 25 with screw(J).



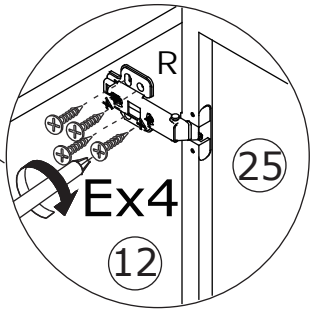
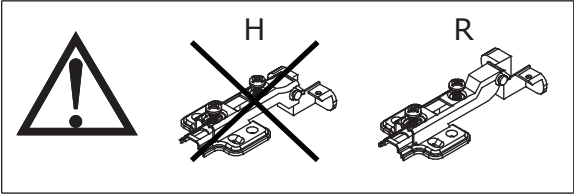
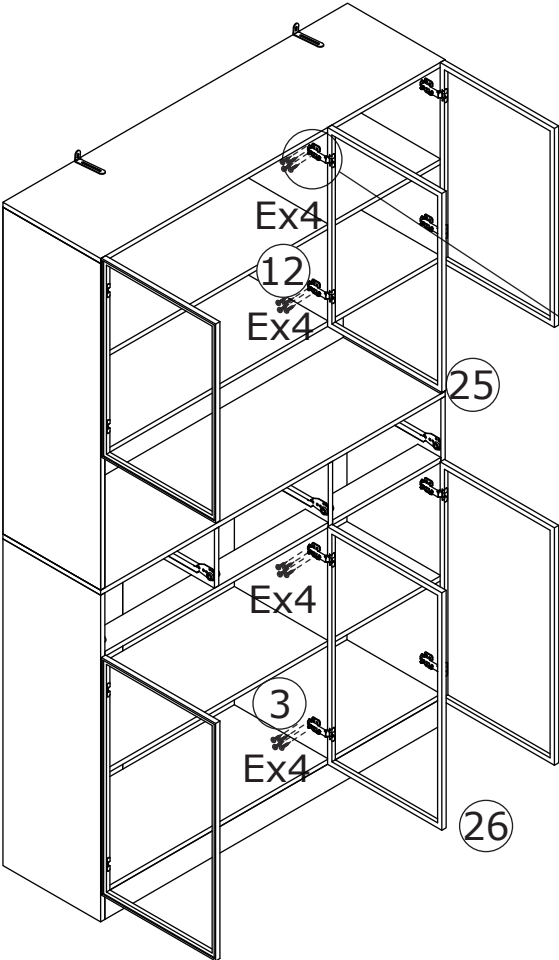
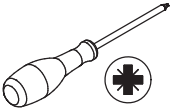
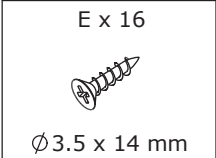
37



Fix hinge(R) to board 26 with screw(J).

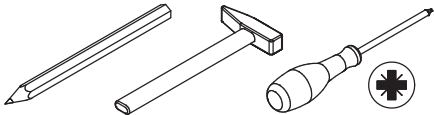
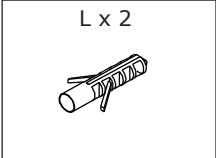


38

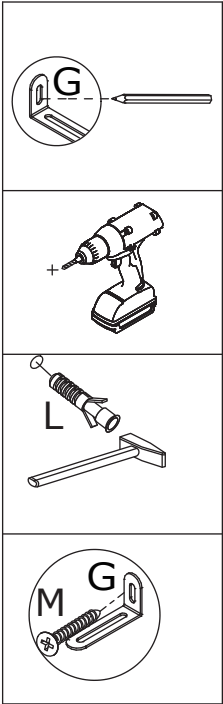
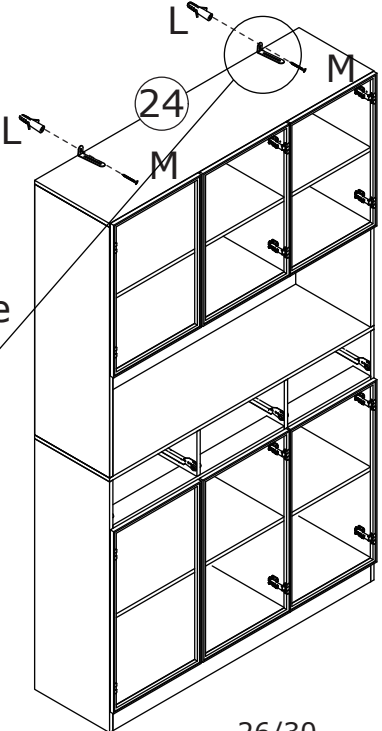
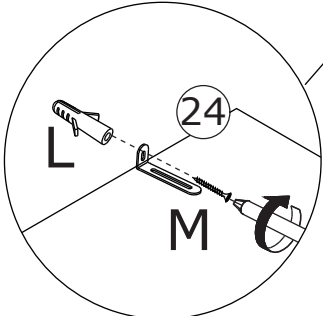


Assemble door 25 to upper cabinet; door 26 to lower cabinet by fixing hinge with screw(E) as shown.

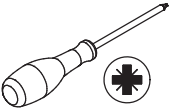
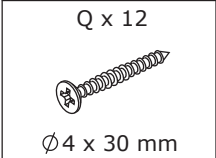
39



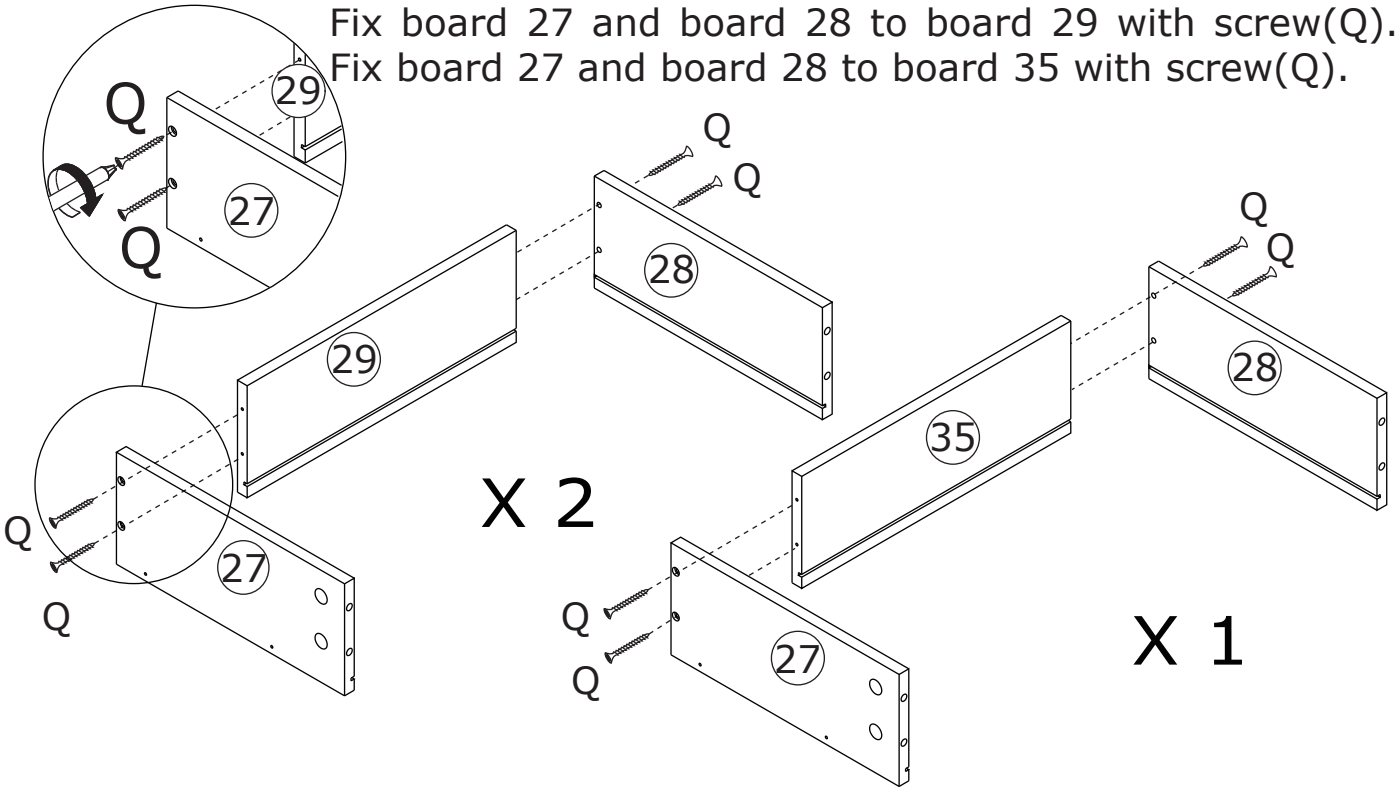
Mark the wall, drill a hole with an electric drill, insert plastic part L, and fix it onto the wall with screw M through anti-tip device G.



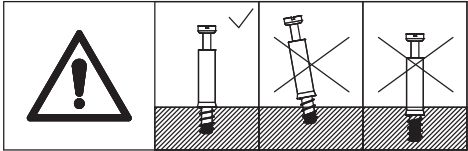
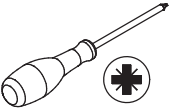
40



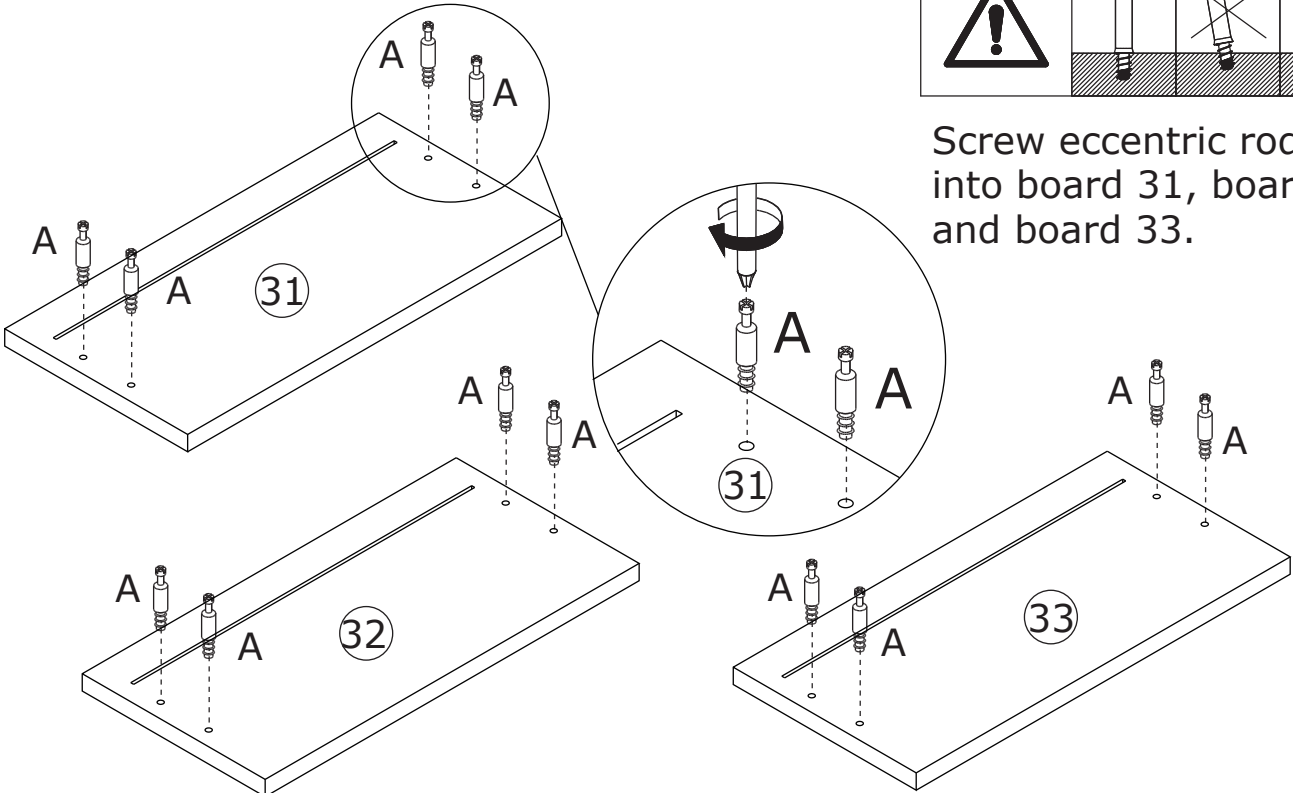
Fix board 27 and board 28 to board 29 with screw(Q).  
 Fix board 27 and board 28 to board 35 with screw(Q).



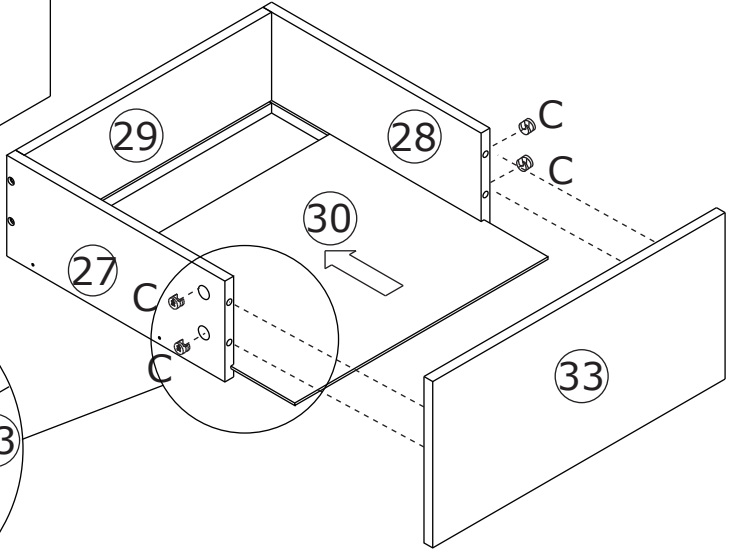
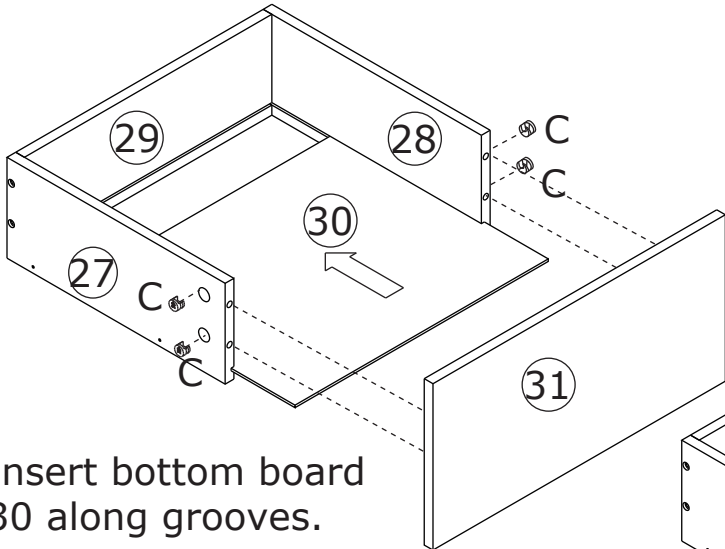
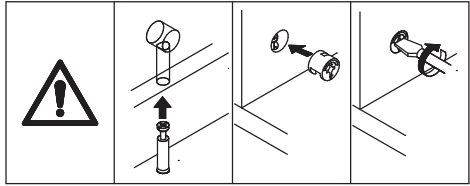
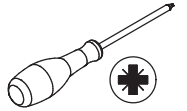
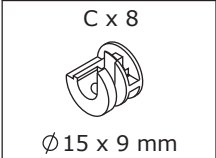
41



Screw eccentric rod(A) into board 31, board 32 and board 33.

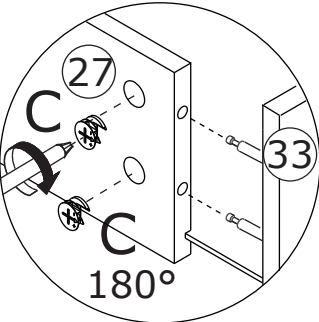


# 42

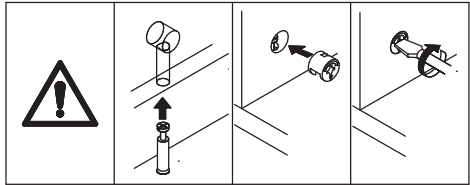
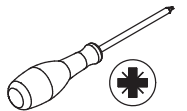
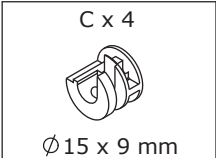


Insert bottom board 30 along grooves.

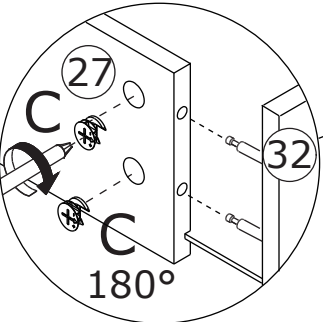
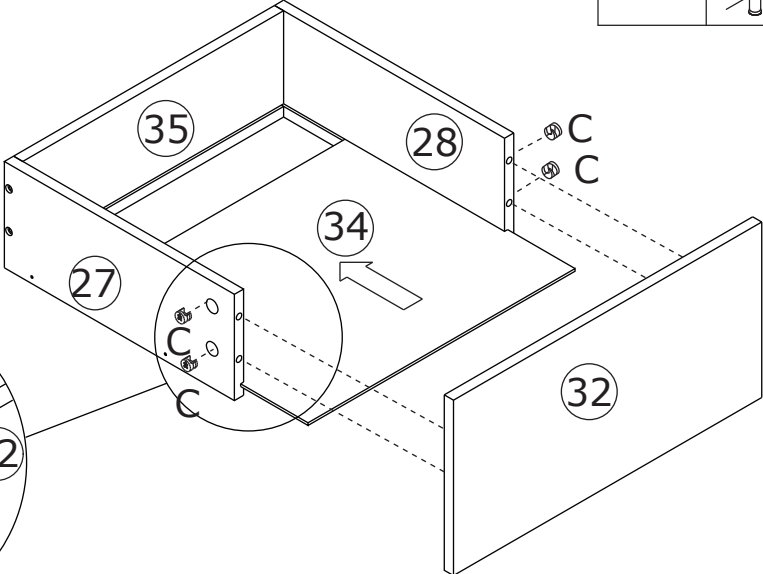
Attach board 31 and 33 to the drawers, add cam lock(C) into and turn clockwise tighten as shown.



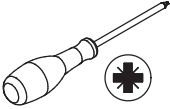
# 43

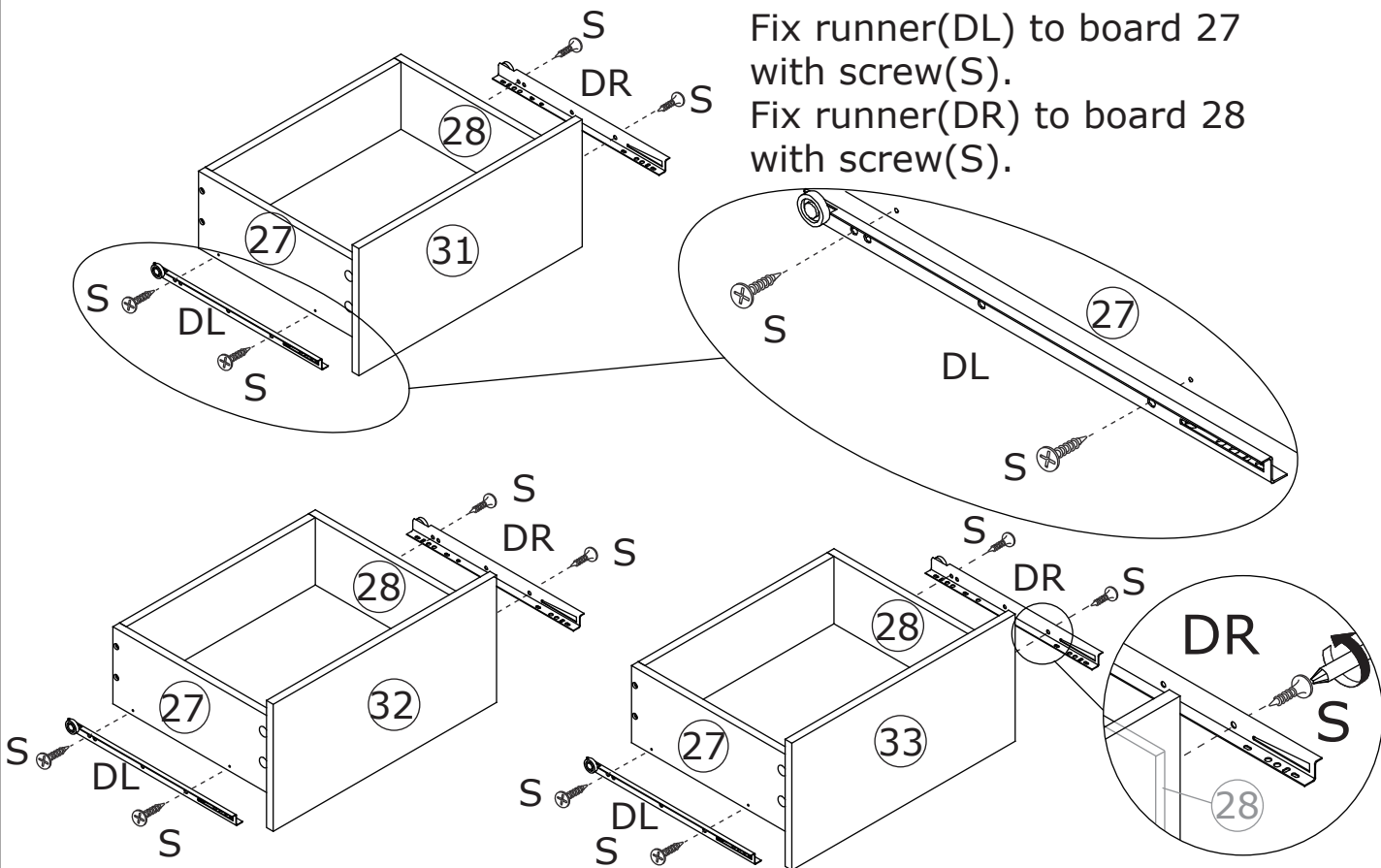


Insert board 34 along available grooves. Attach board 32 to the drawer, add cam lock(C) into and turn clockwise tighten as shown.

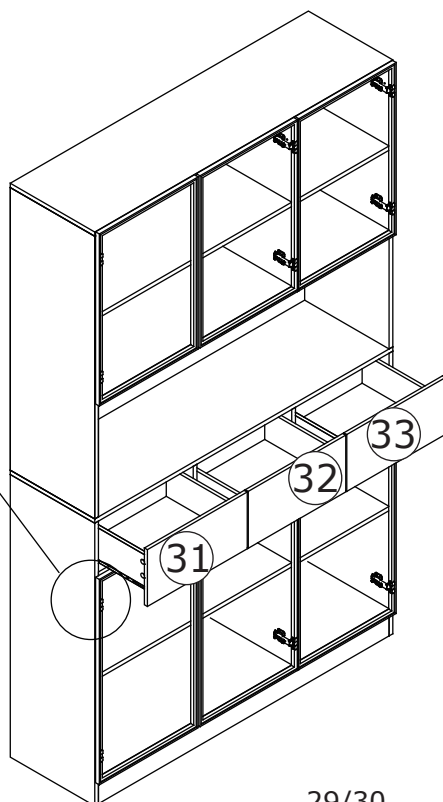
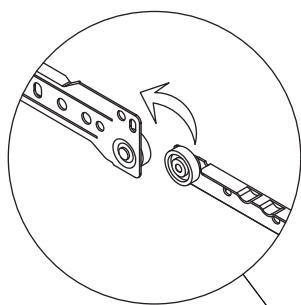


44

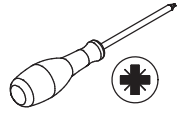
DL x 3 300 mm	DR x 3 300 mm	S x 12 Ø3 x 12 mm	
------------------	------------------	----------------------	---



45

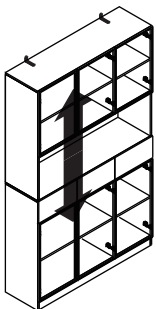
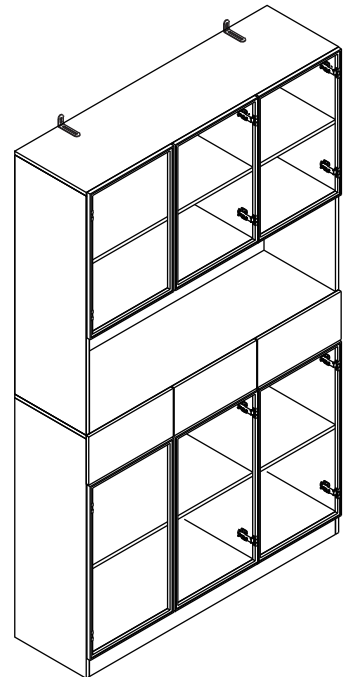


Insert all drawers.

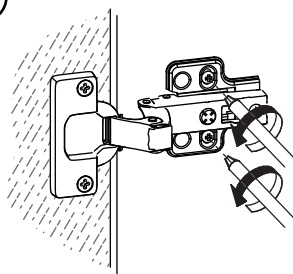


If doors are still not aligned if the hinges are properly correctly, please watch the video.

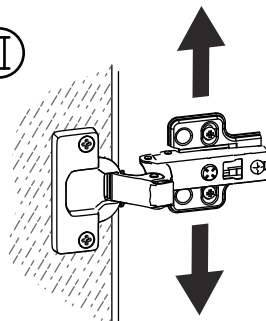
<https://youtu.be/n0Lb36SoODM>



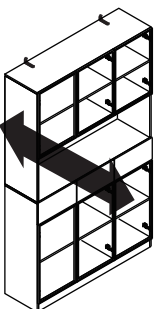
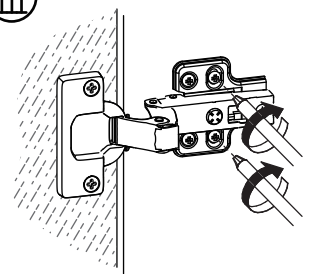
I



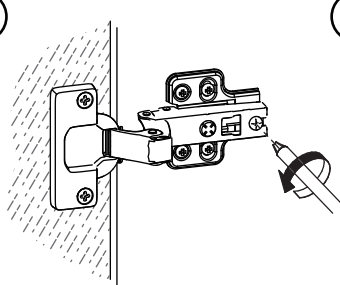
II



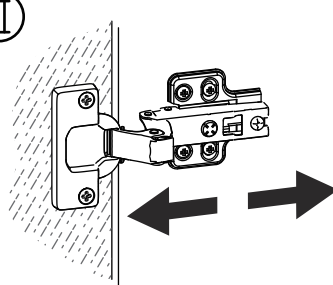
III



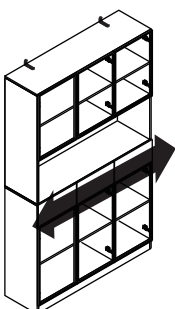
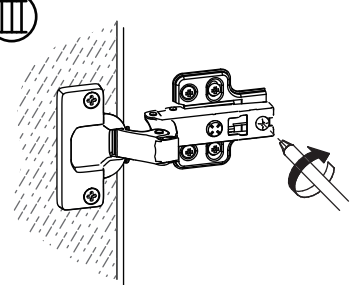
I



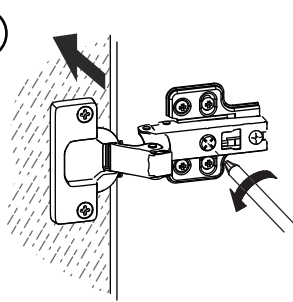
II



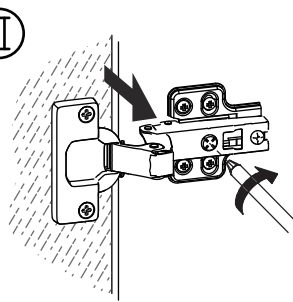
III



I



II



# WARRANTY

## WARRANTY CLAIMS

- There is a 30-day warranty for broken furniture or any other problems that do not work properly. The warranty will start from the date of purchase which must be verified by proof of purchase.
- Before making a claim, we may be able to answer your query, simply call us. Please leave your purchase order number, along with some details of the problem, if you want a replacement part. We will arrange within 48 hours. If there is out of stock, we will reply with a shipping date.
- The product must be used in accordance with the instructions provided. For health reasons.
- For other reasons, if the furniture needs to be returned, it must be cleaned and dried and operated within 30 days of receipt.

## Type of Warranty Claim

- Failure to follow the furniture instructions will invalidate the warranty. Attention please.
- Does not include damage during installation, but includes damage during transportation.

## Scope of responsibility

- Shall not bear any responsibility for misuse or user damage and / or loss of parts during the installation of furniture.
- After using, the damage and scratches of the furniture are not covered by the warranty.

## The Warranty Relates to All Bought in The Us and Covers The Following Areas

- Sheet parts: 1 month from the date of purchase.
- Electrical parts: 1 month from the date of purchase.