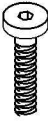
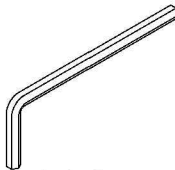
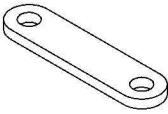
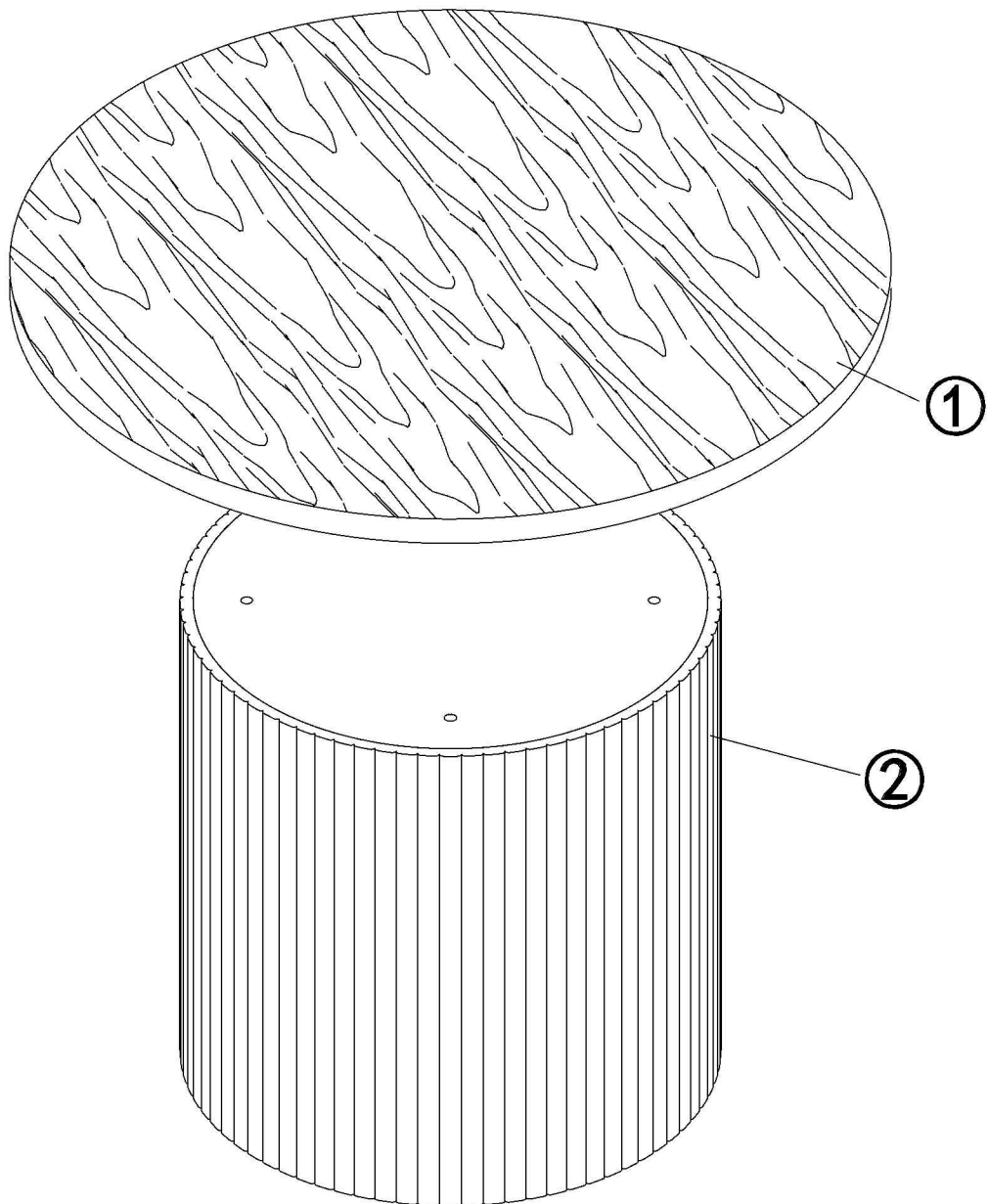
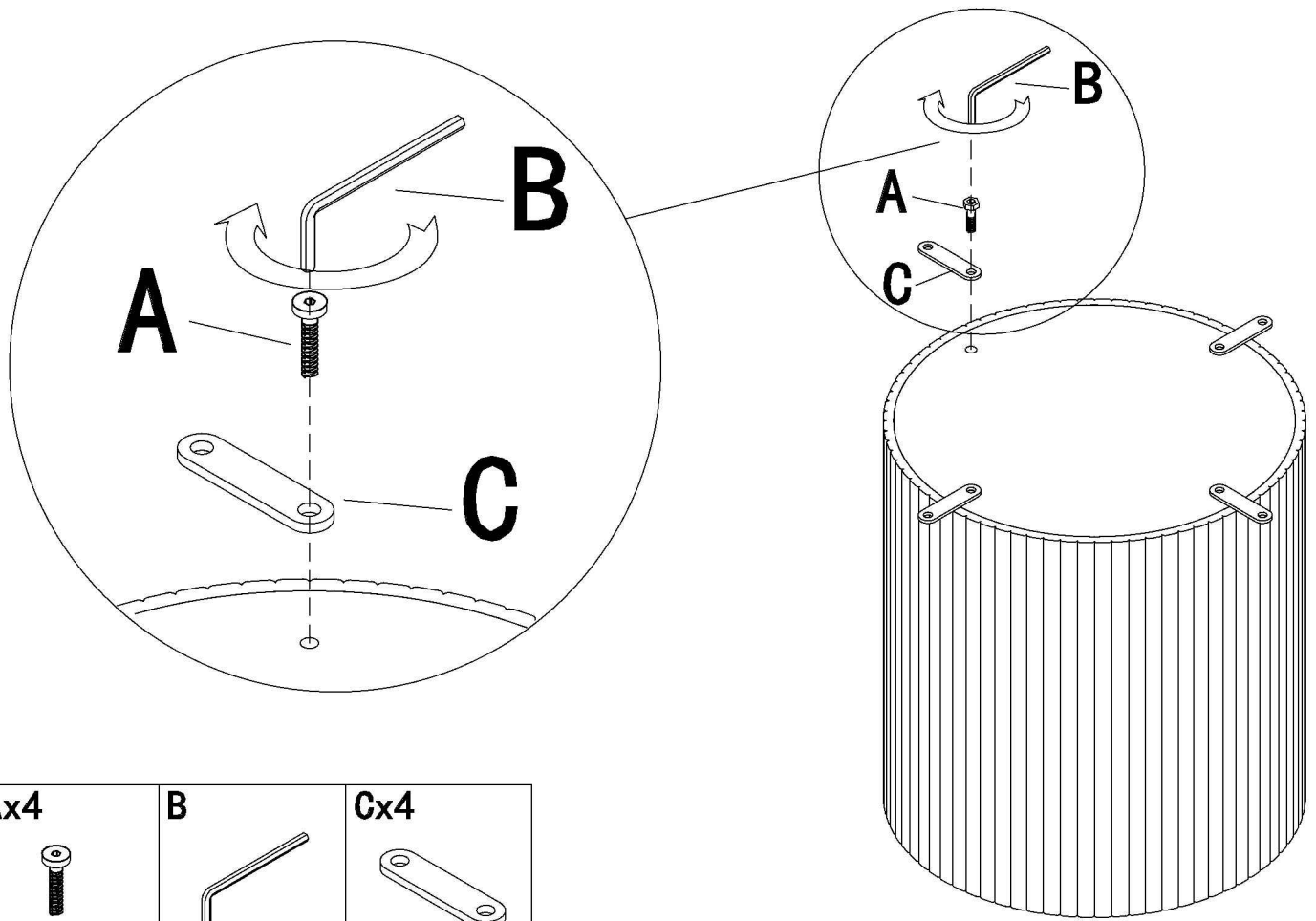


1-3

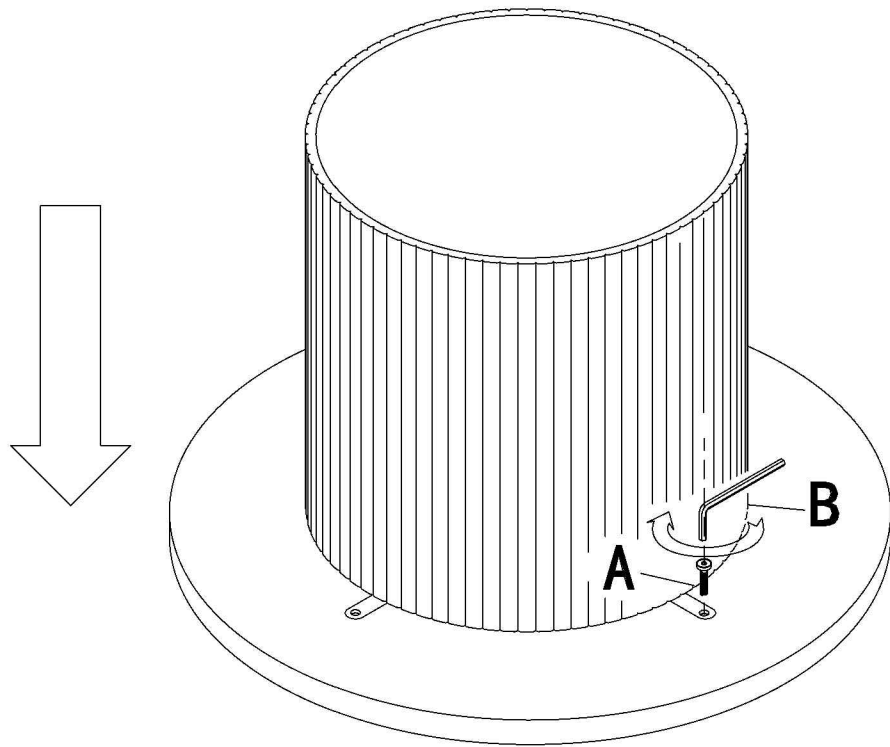
Ax8  M6x15	Bx1  M4	Cx4 
---	--	---



1



2



3-3