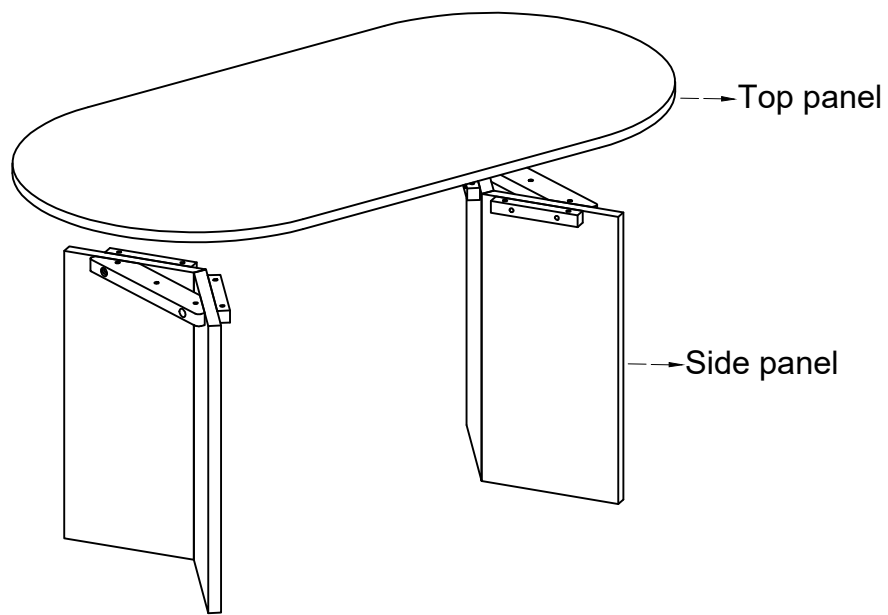
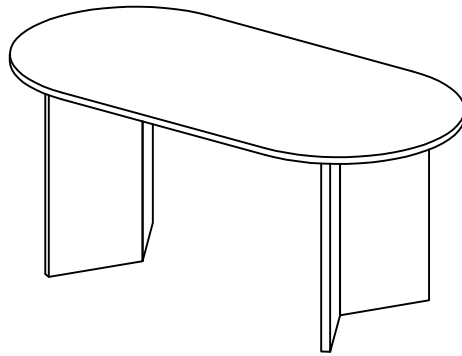
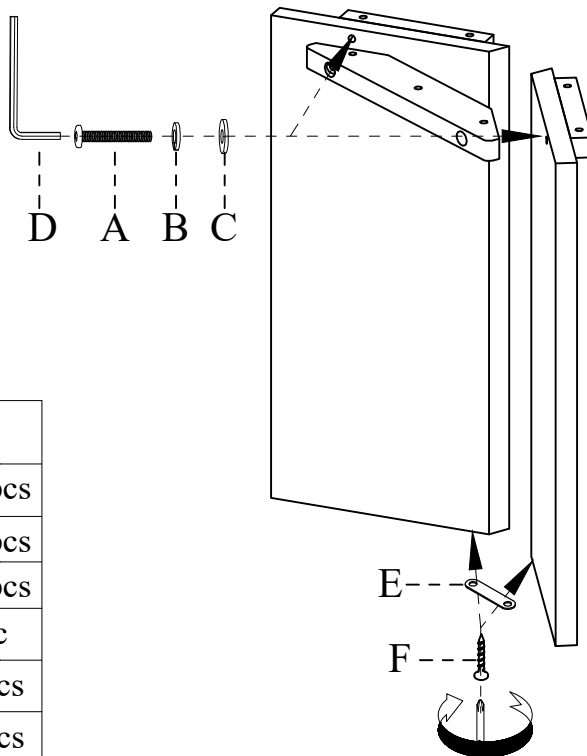





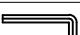


ASSEMBLY INSTRUCTIONS



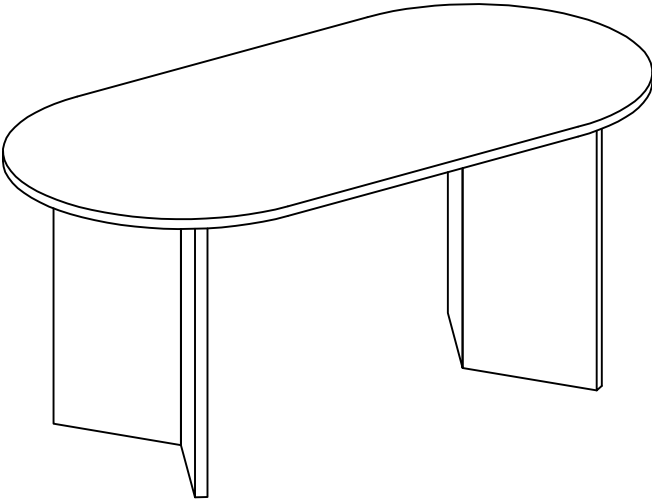
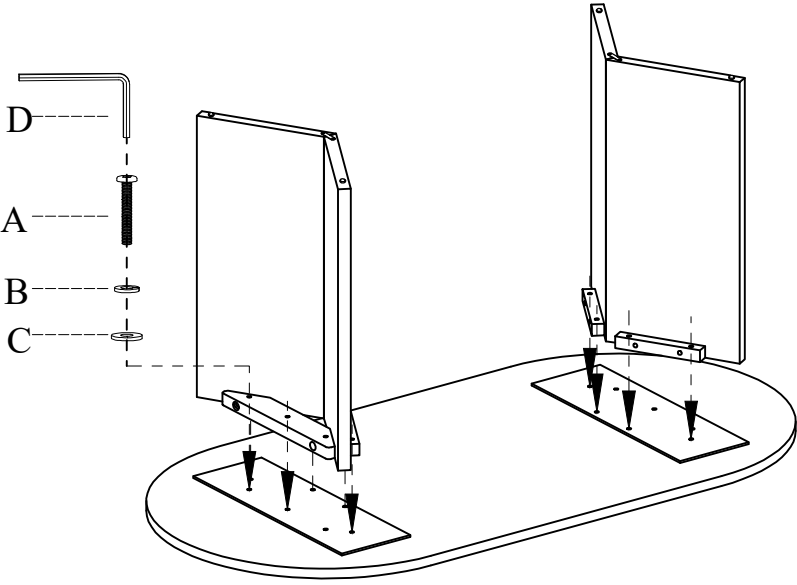
Step 1



HARDWARE LIST

A		Bolt (Ø5/16"*2")	18pcs
B		Lock Washer (Ø5/16")	18pcs
C		Flat Washer (Ø5/16"*Ø3/4")	18pcs
D		Allen Wrench (5mm)	1pc
E		Mending plate	2pcs
F		Screw	4pcs

Step 2



OK