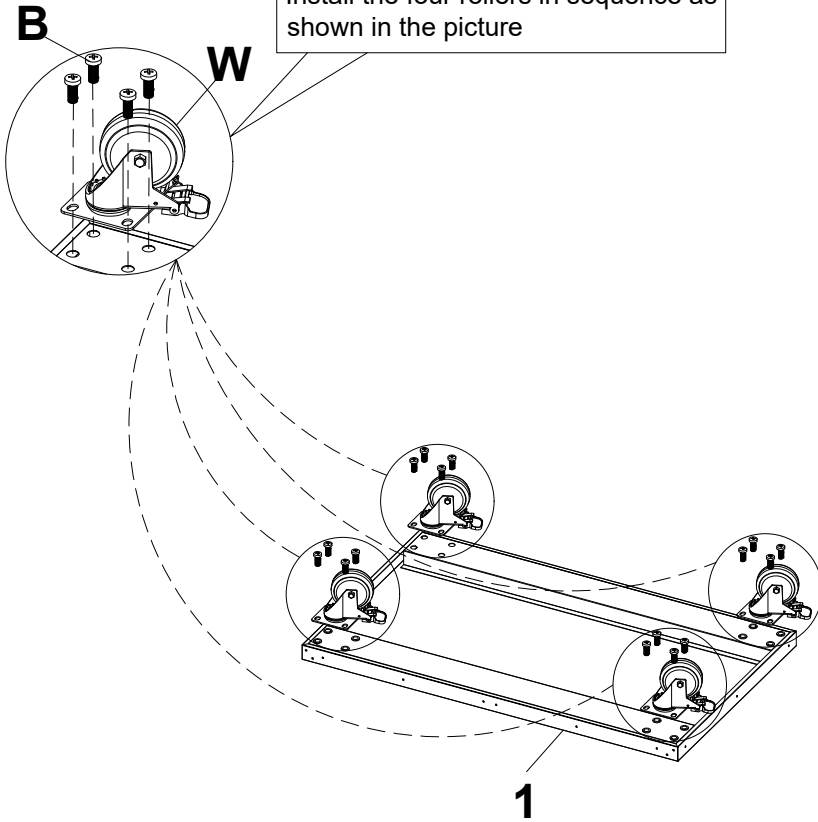


# 1

Install the four rollers in sequence as shown in the picture



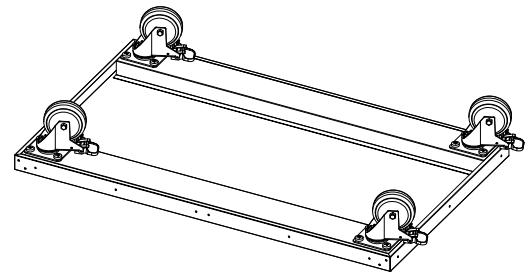
After completing the installation of the four rollers, please step on the rear locking part to prevent the cabinet from sliding during subsequent installation



Unlocking



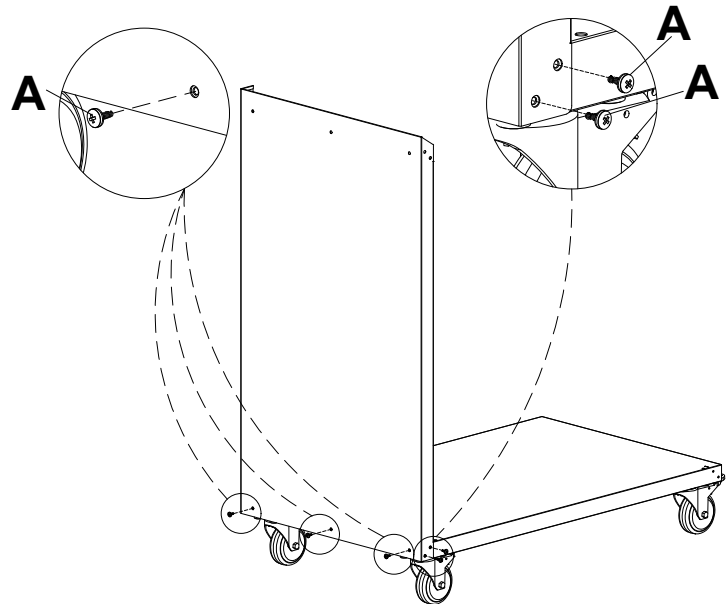
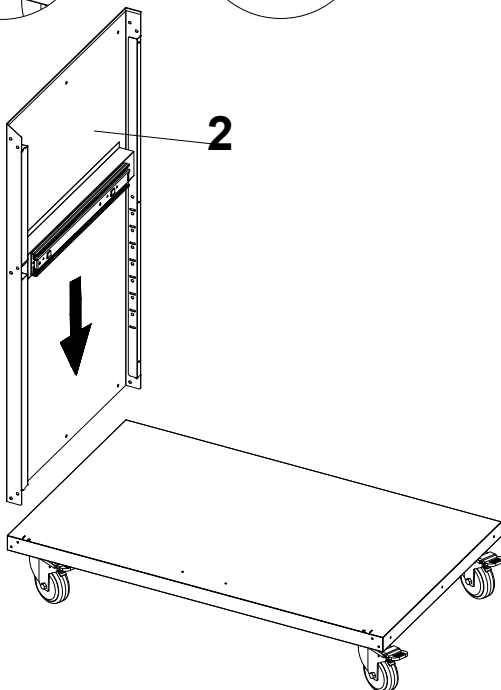
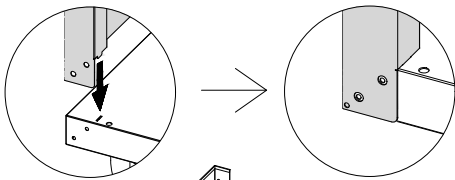
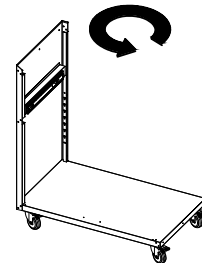
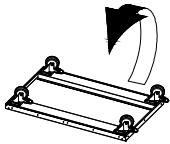
locked



**B×16**

# 2

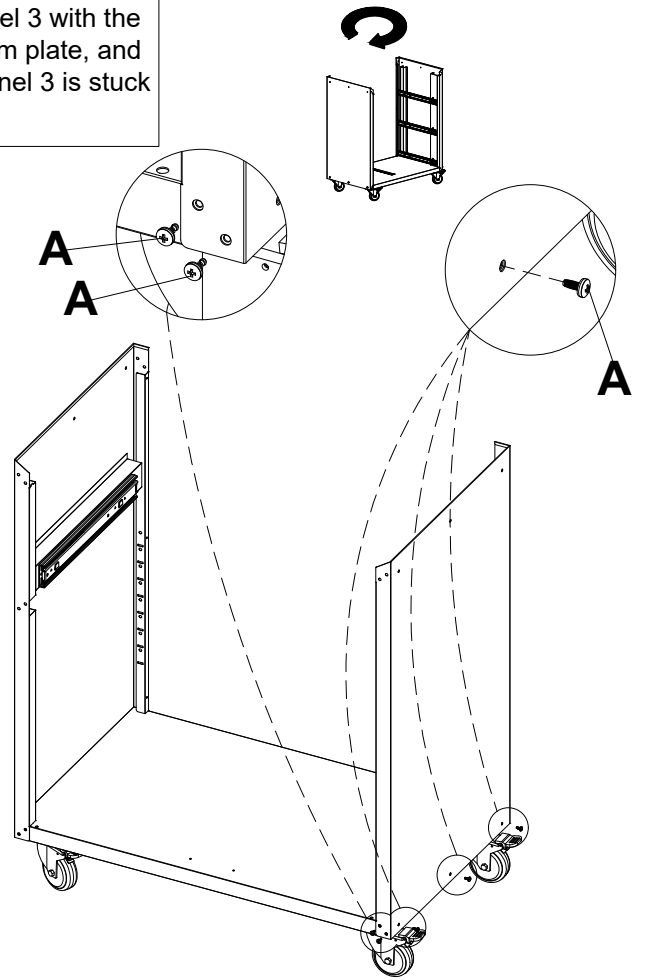
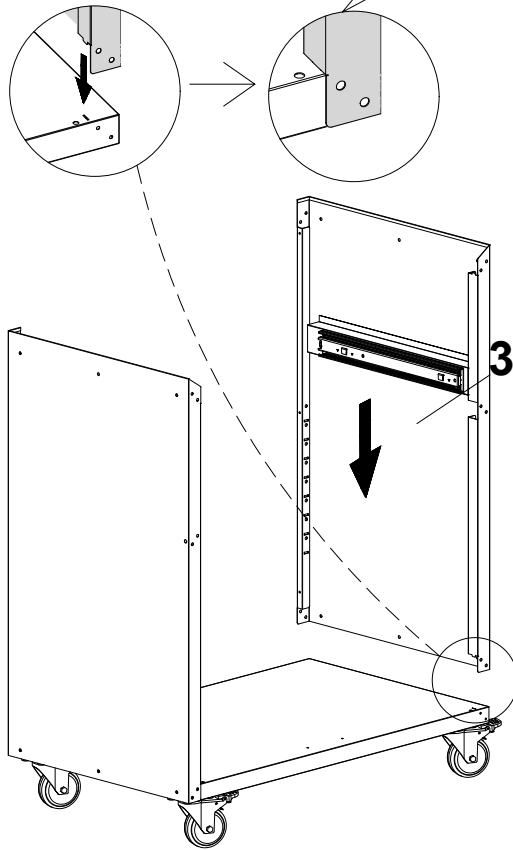
Align the lower buckle of side panel 2 with the slot at the top of the toolbox bottom plate, and then lower it down so that side panel 2 is stuck at the top of the toolbox floor



**A×5**

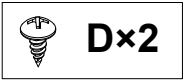
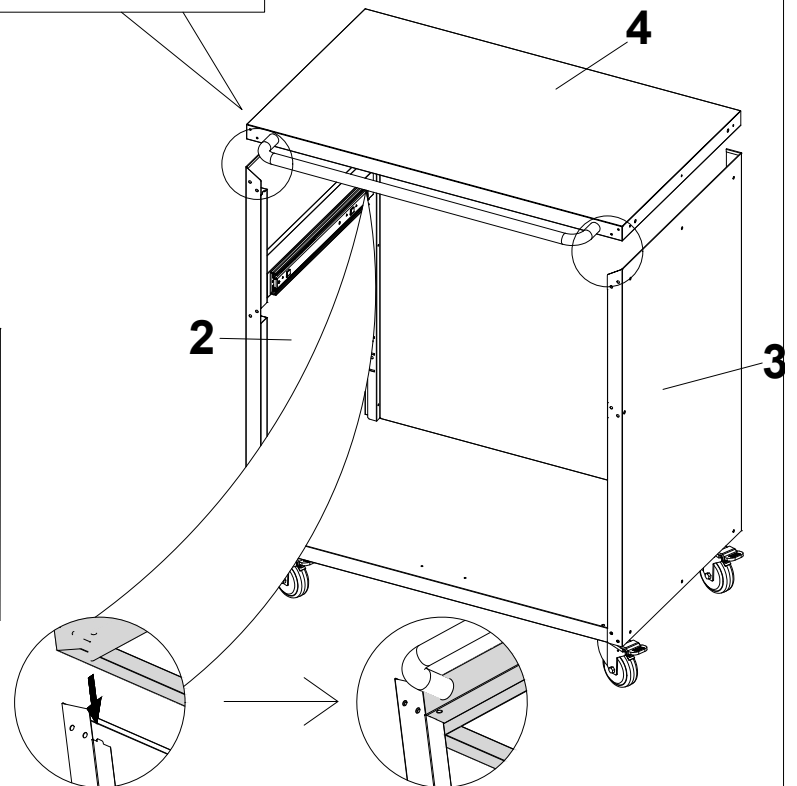
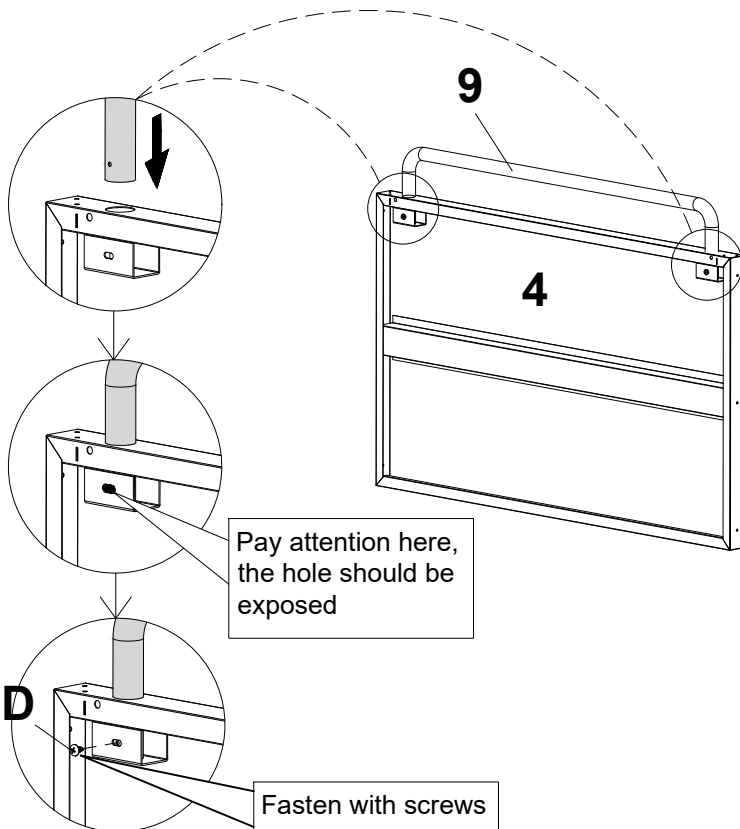
3

Align the lower buckle of side panel 3 with the slot at the top of the toolbox bottom plate, and then lower it down so that side panel 3 is stuck at the top of the toolbox floor



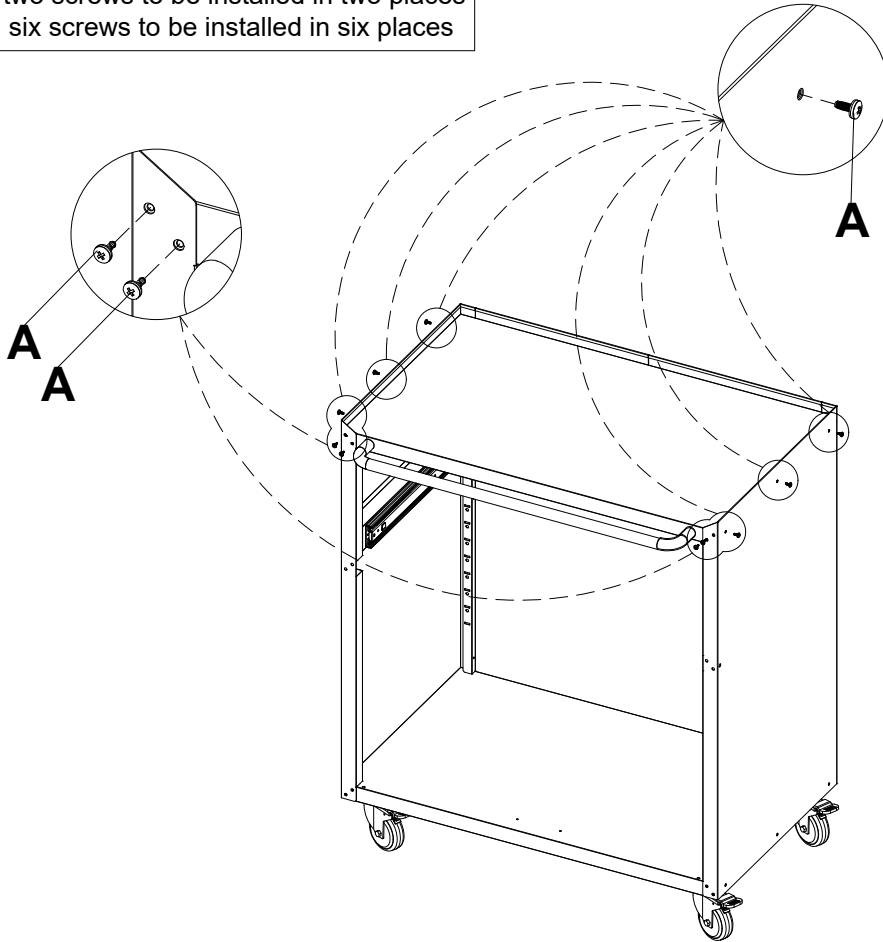
4

Align the card slots on both sides of the lower end of panel 4 with the buckles on the top of side panels 2 and 3, then lower it down so that panel 4 is stuck on the top of the toolbox



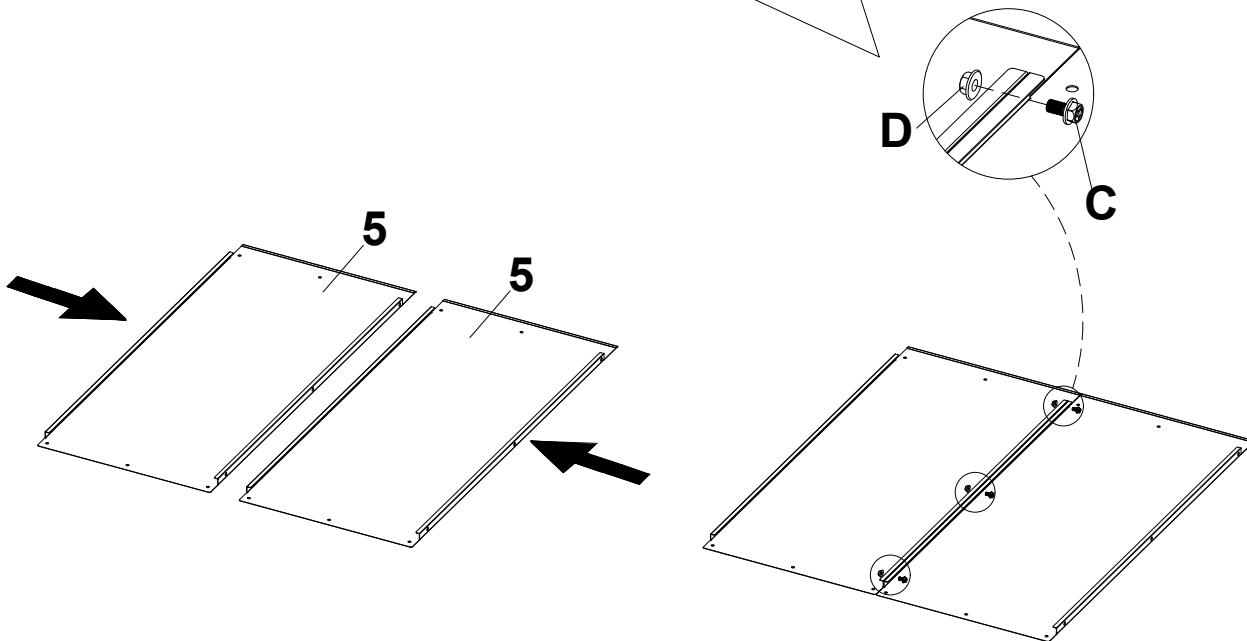
5

You need to install a total of 10 A model screws here, as shown in the picture. There are two screws to be installed in two places and six screws to be installed in six places



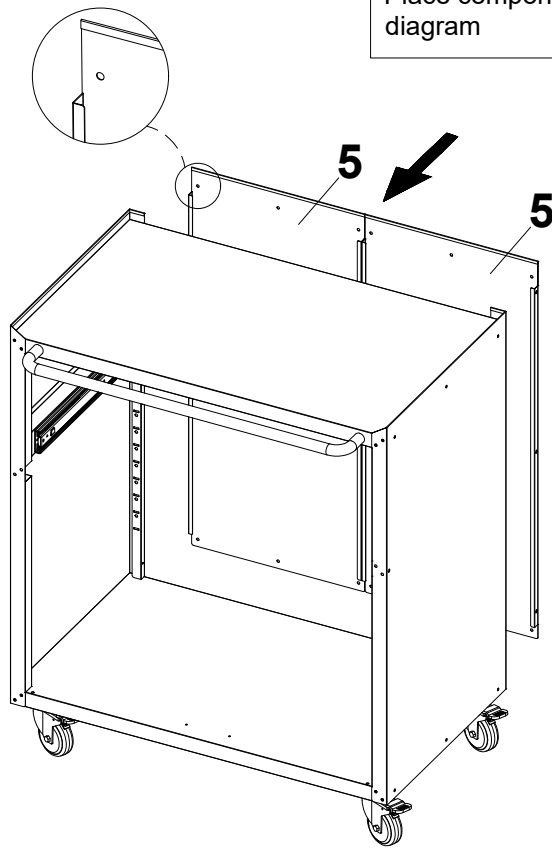
6

put three bolts and nuts to hold them in place

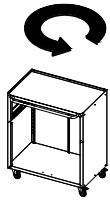


7

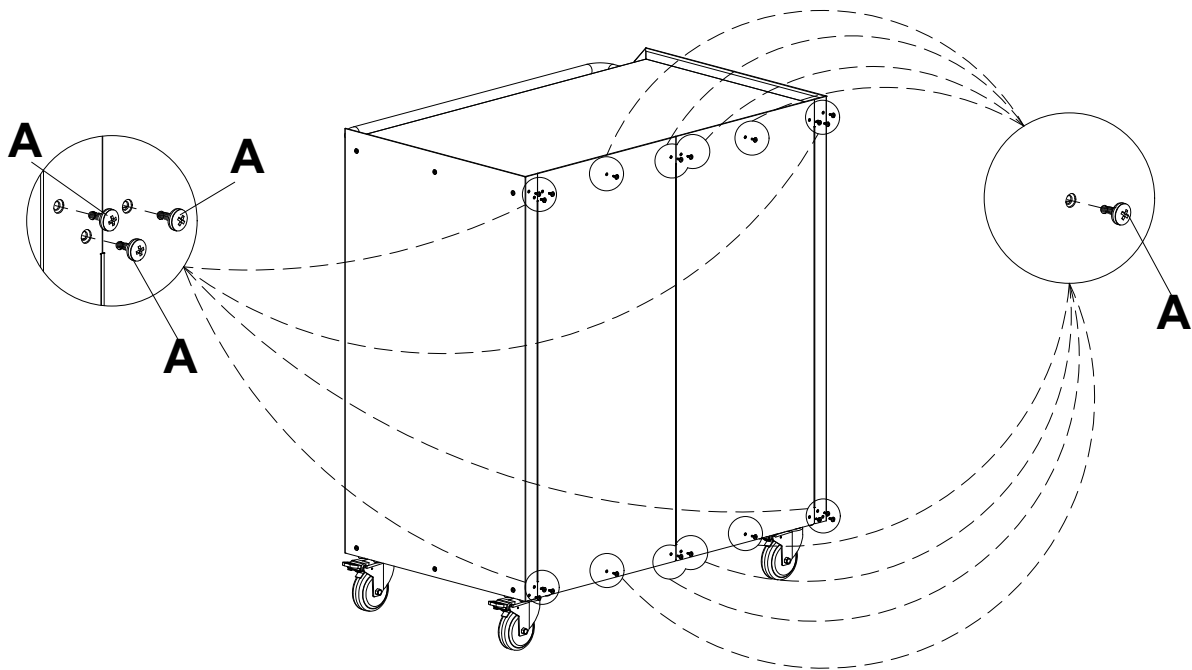
Place component 5 in place according to the diagram



8

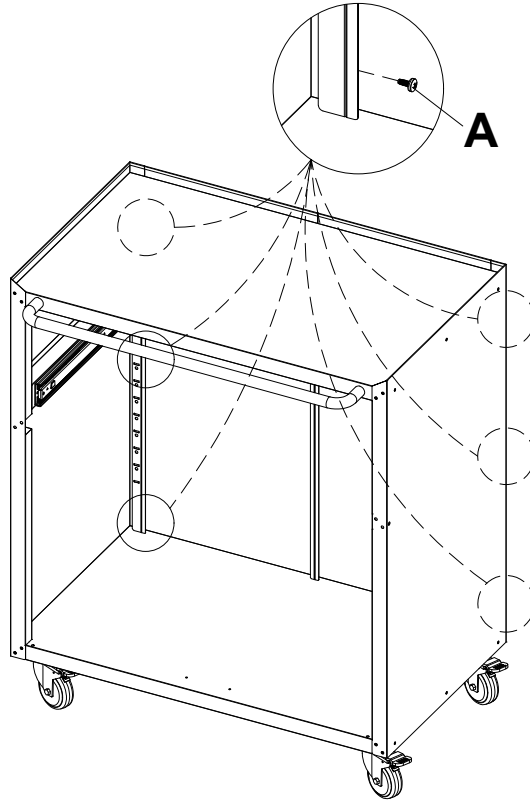


As shown in the figure, three screws need to be installed in four places, and one screw needs to be installed in the other eight places



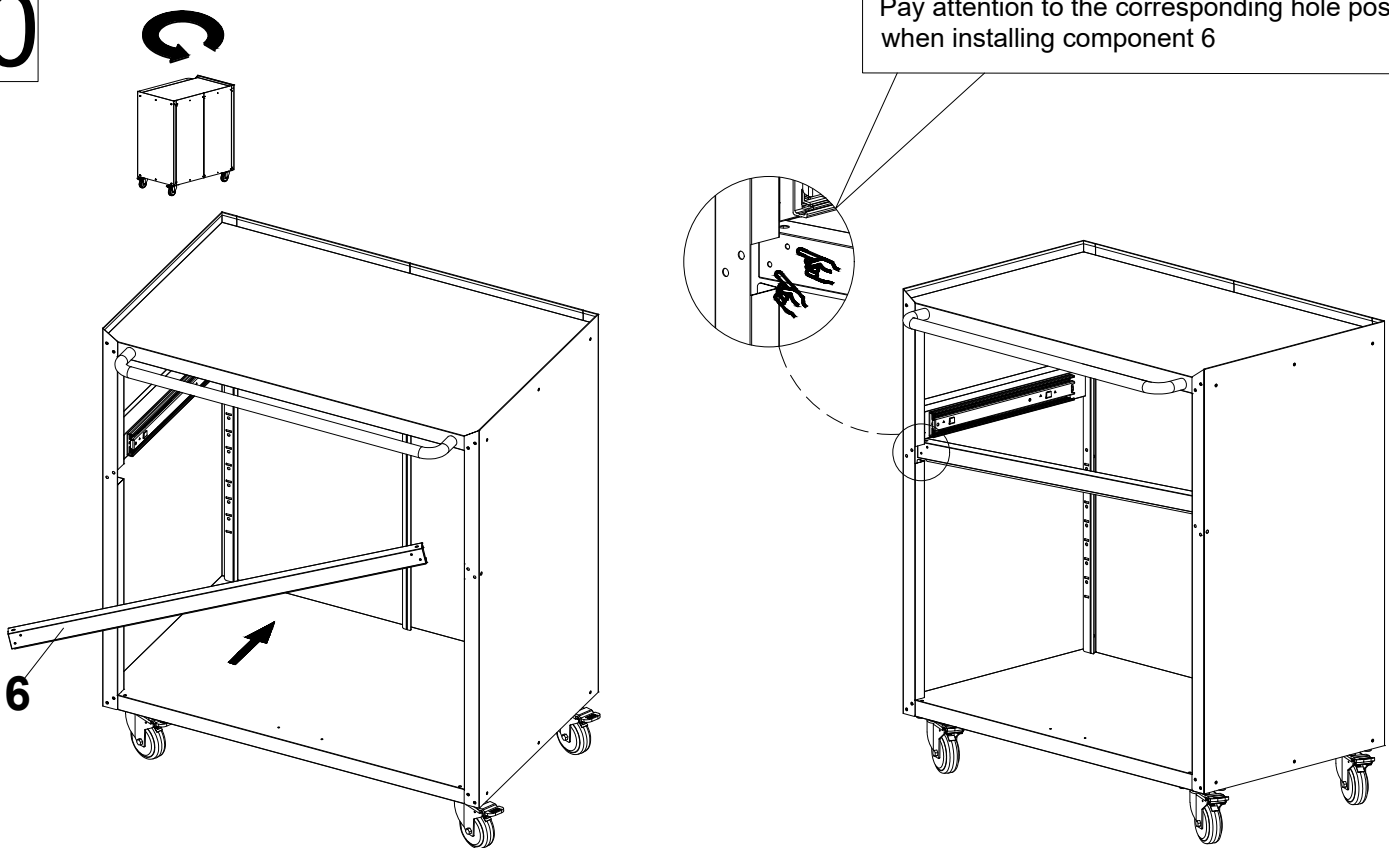
9

Fix with screws A according to the diagram



10

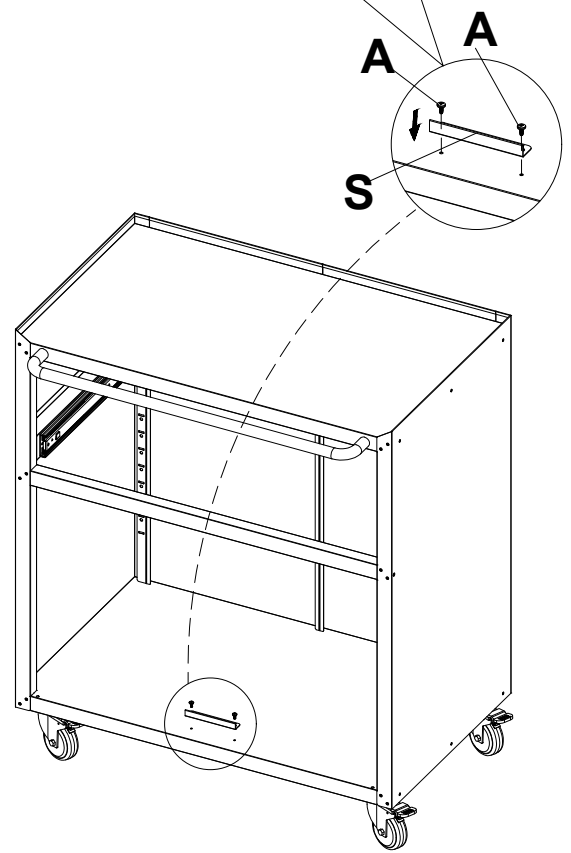
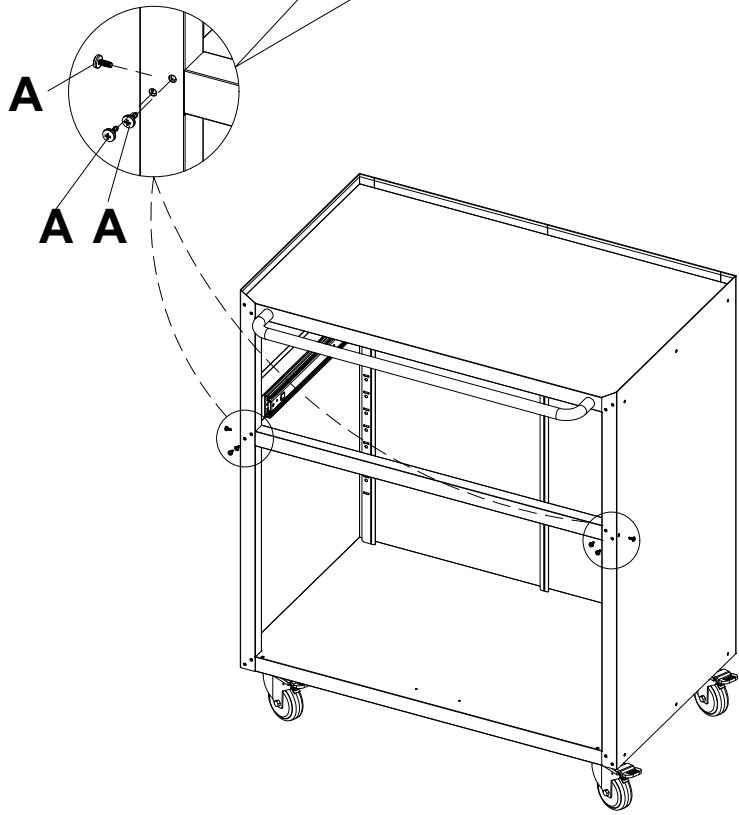
Pay attention to the corresponding hole positions when installing component 6



11

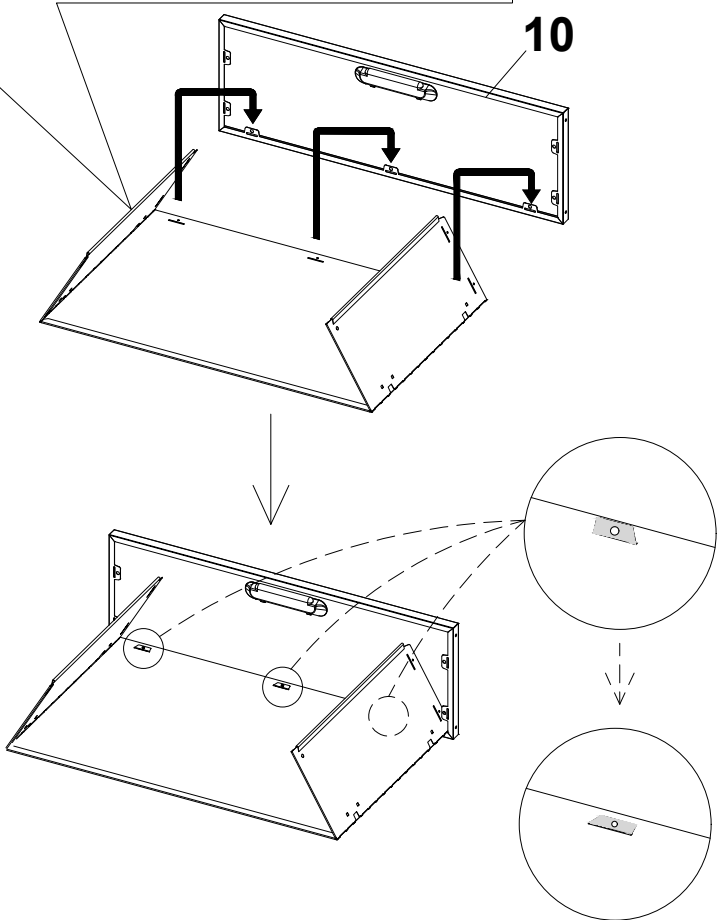
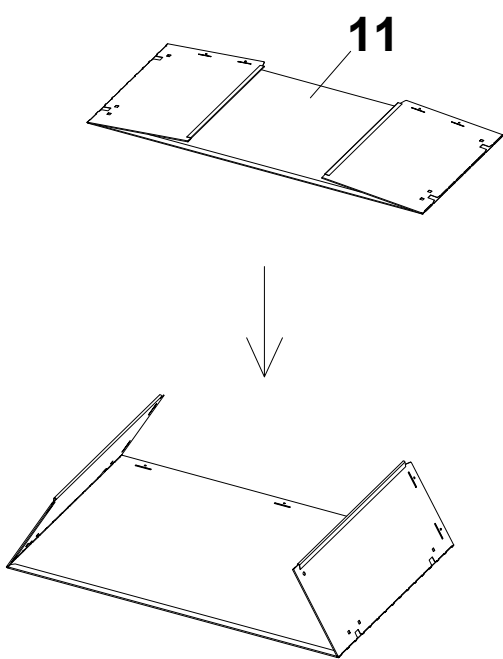
Fix with screws A according to the diagram

Fix accessory S in place with screws A according to the diagram

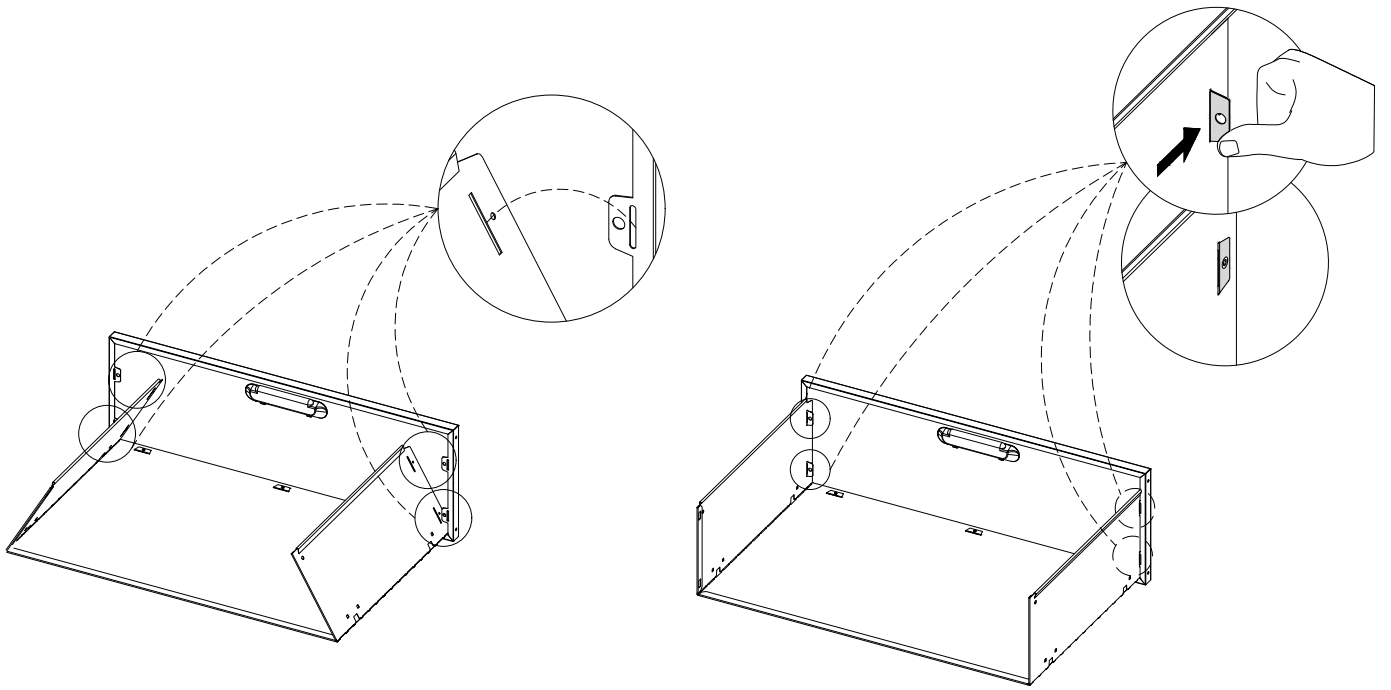


12

Insert the tabs at the bottom of the drawer faces 10 into the drawer body 11 and bend the tabs

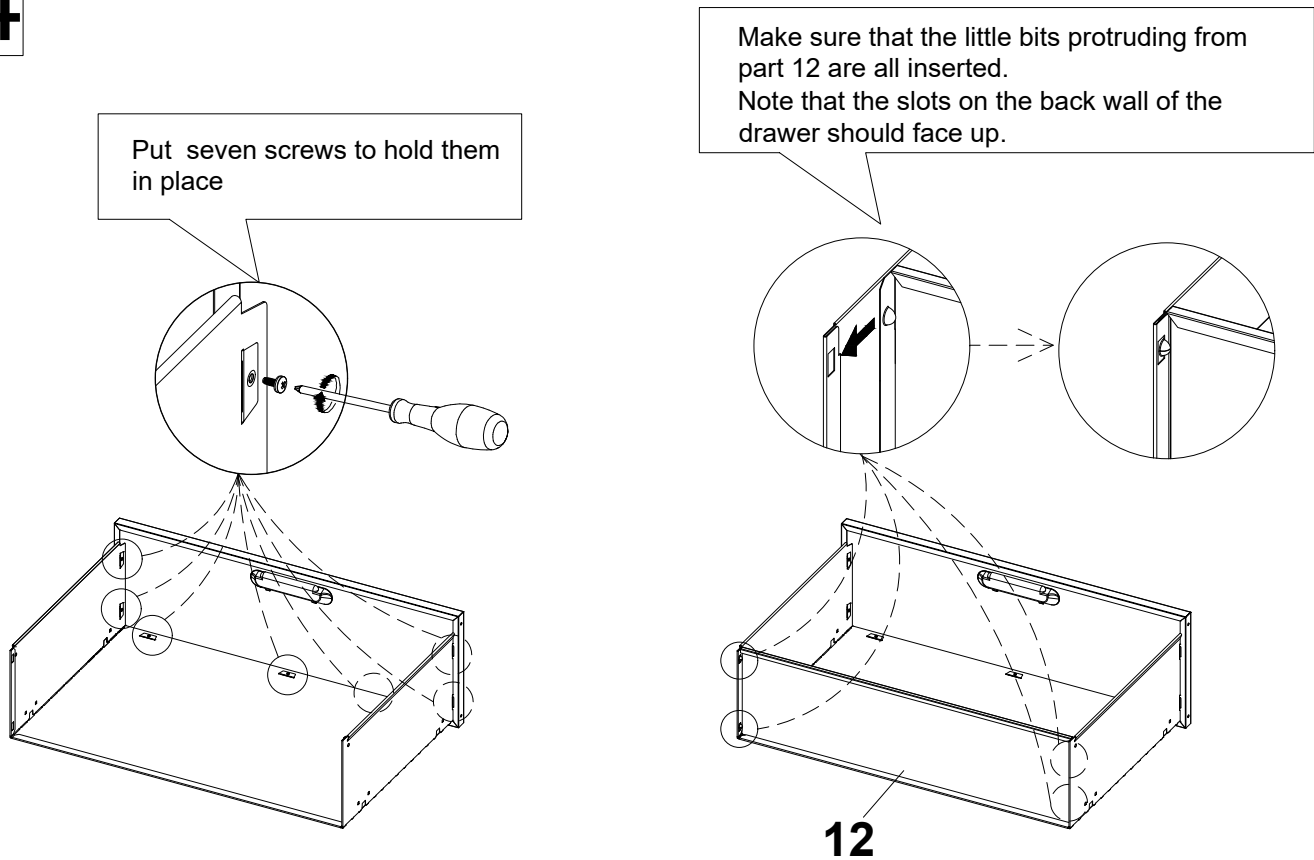


# 13



Bend the tabs on the drawer faces.

# 14



Put seven screws to hold them in place

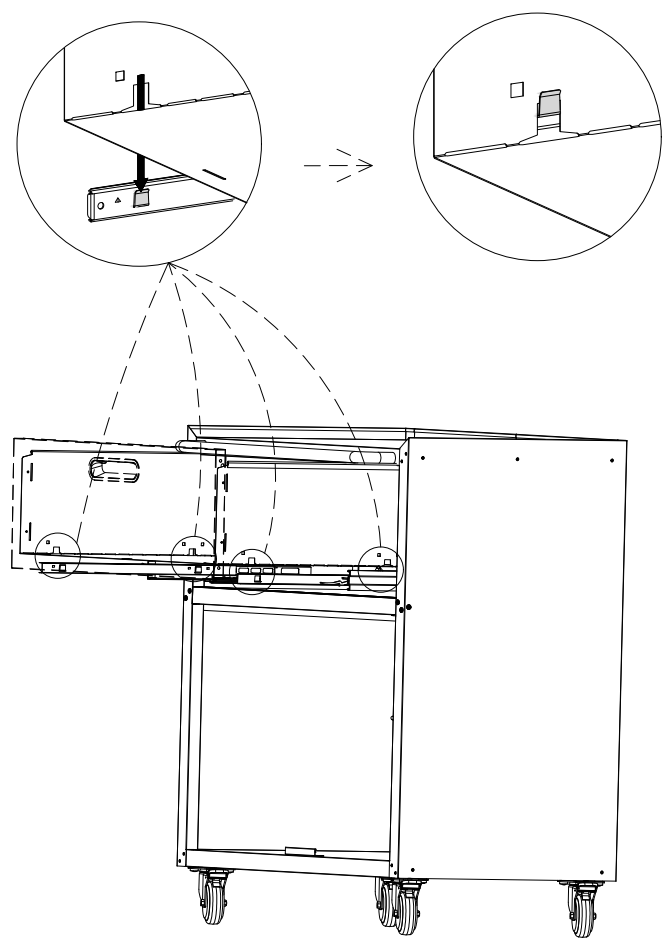
Make sure that the little bits protruding from part 12 are all inserted. Note that the slots on the back wall of the drawer should face up.

12



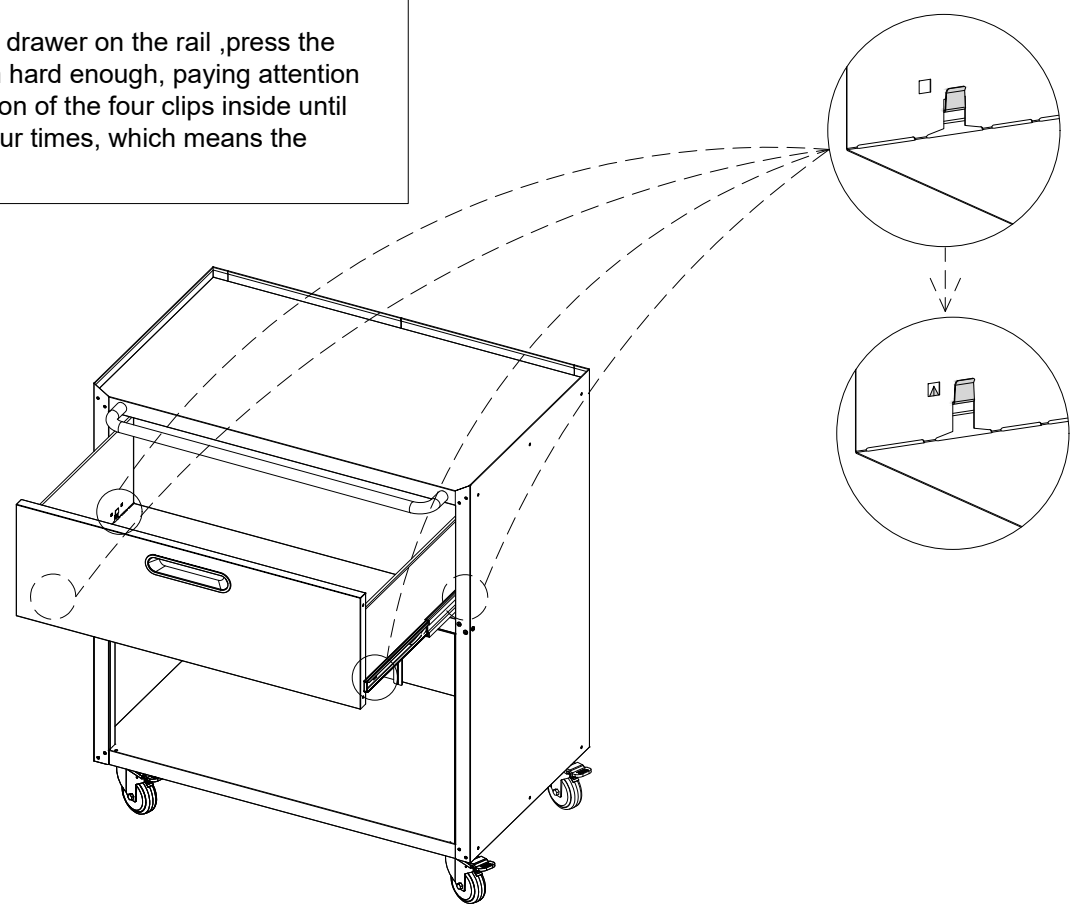
# 15

1. pull out the small rails in the slide rails on the side walls completely.  
with two people lifting each side of the drawer, align the four divots on the bottom with the two rail clips on the rails on each side and insert them into the rail clips.



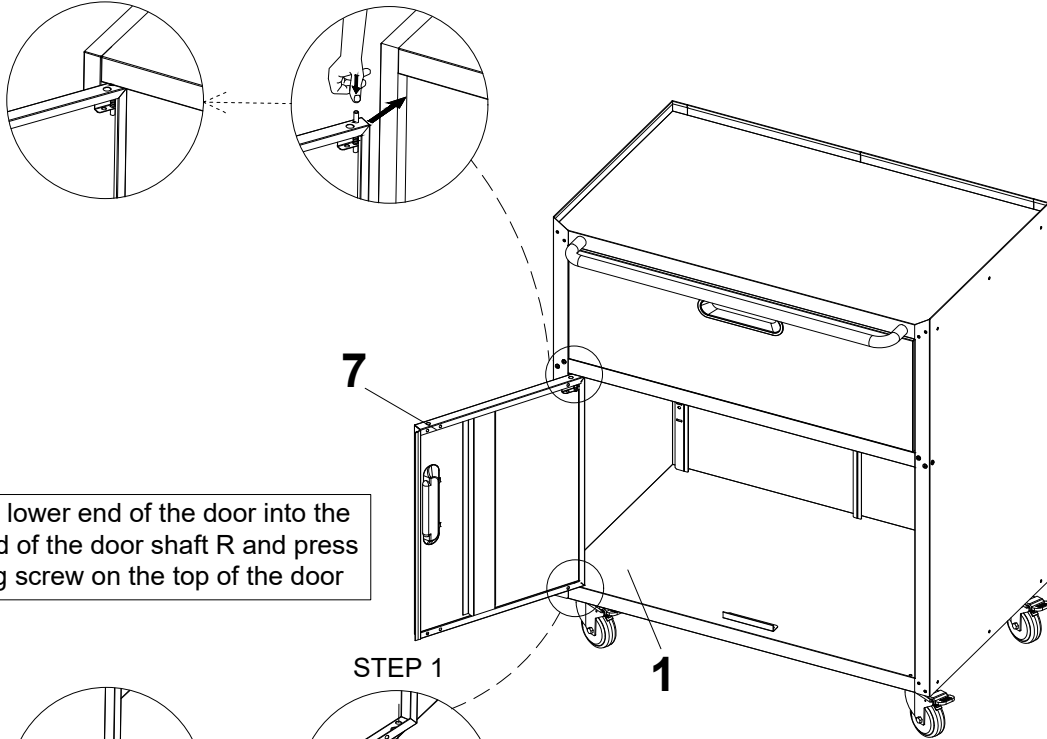
# 16

2. After placing the drawer on the rail, press the drawer base down hard enough, paying attention to check the position of the four clips inside until you hear a click four times, which means the drawer is in place



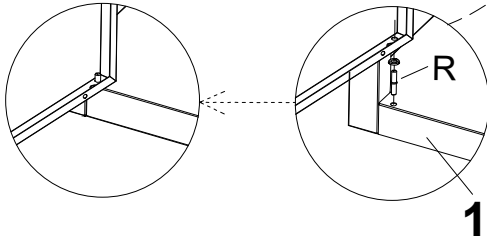
# 17

STEP 2



Insert the lower end of the door into the upper end of the door shaft R and press the spring screw on the top of the door

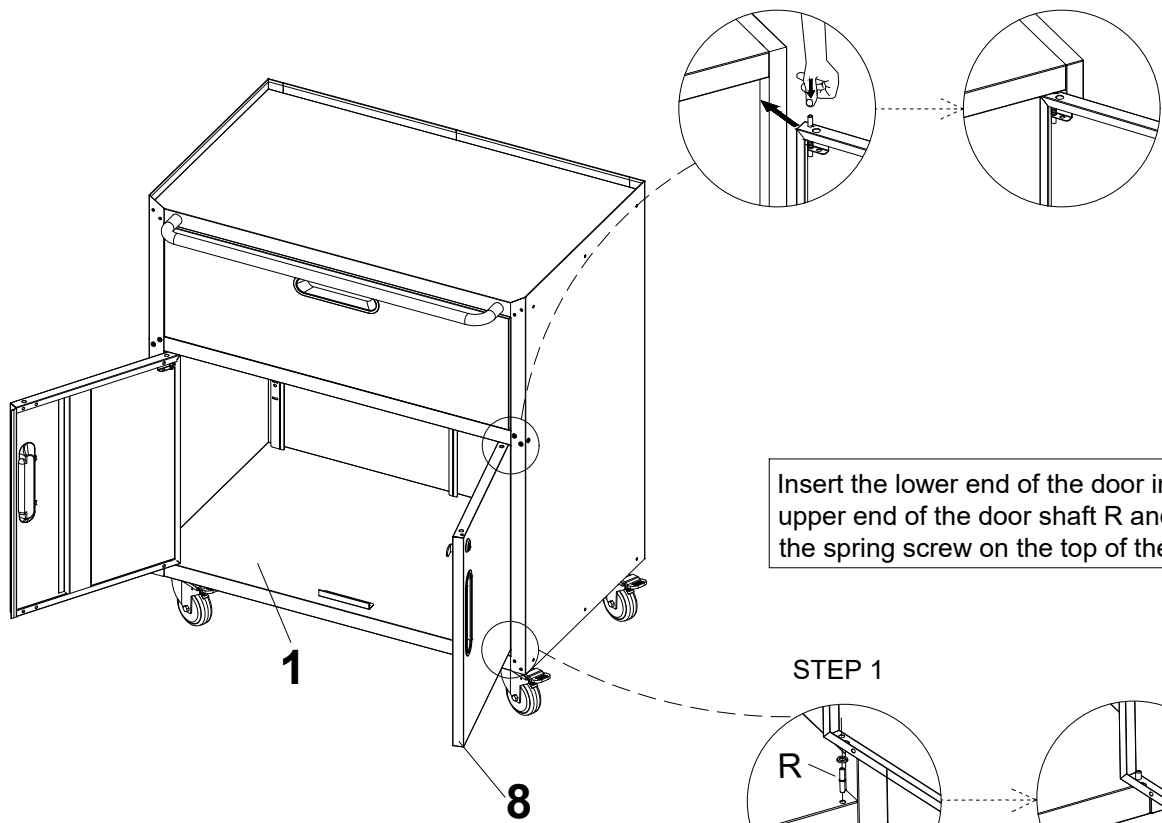
STEP 1



 **R×1**

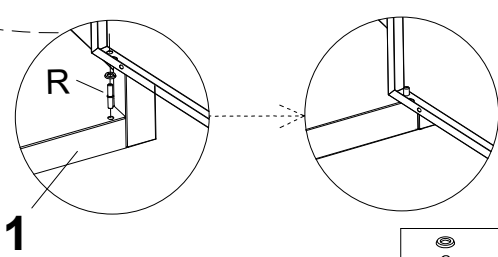
# 18

STEP 2



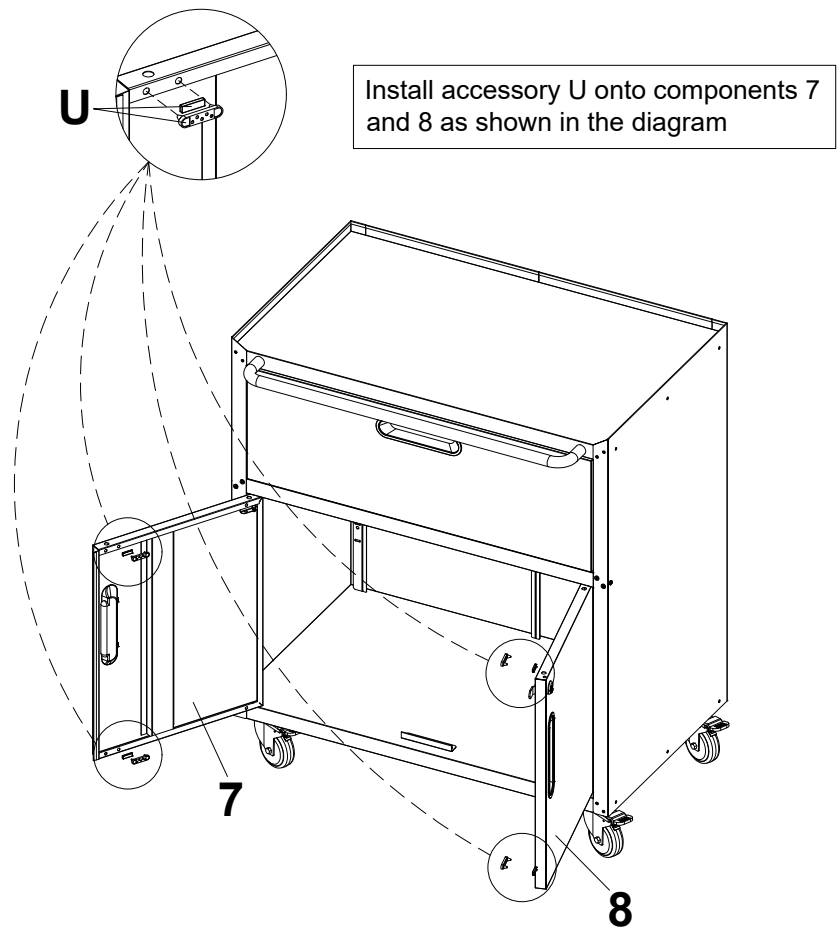
Insert the lower end of the door into the upper end of the door shaft R and press the spring screw on the top of the door

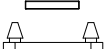
STEP 1



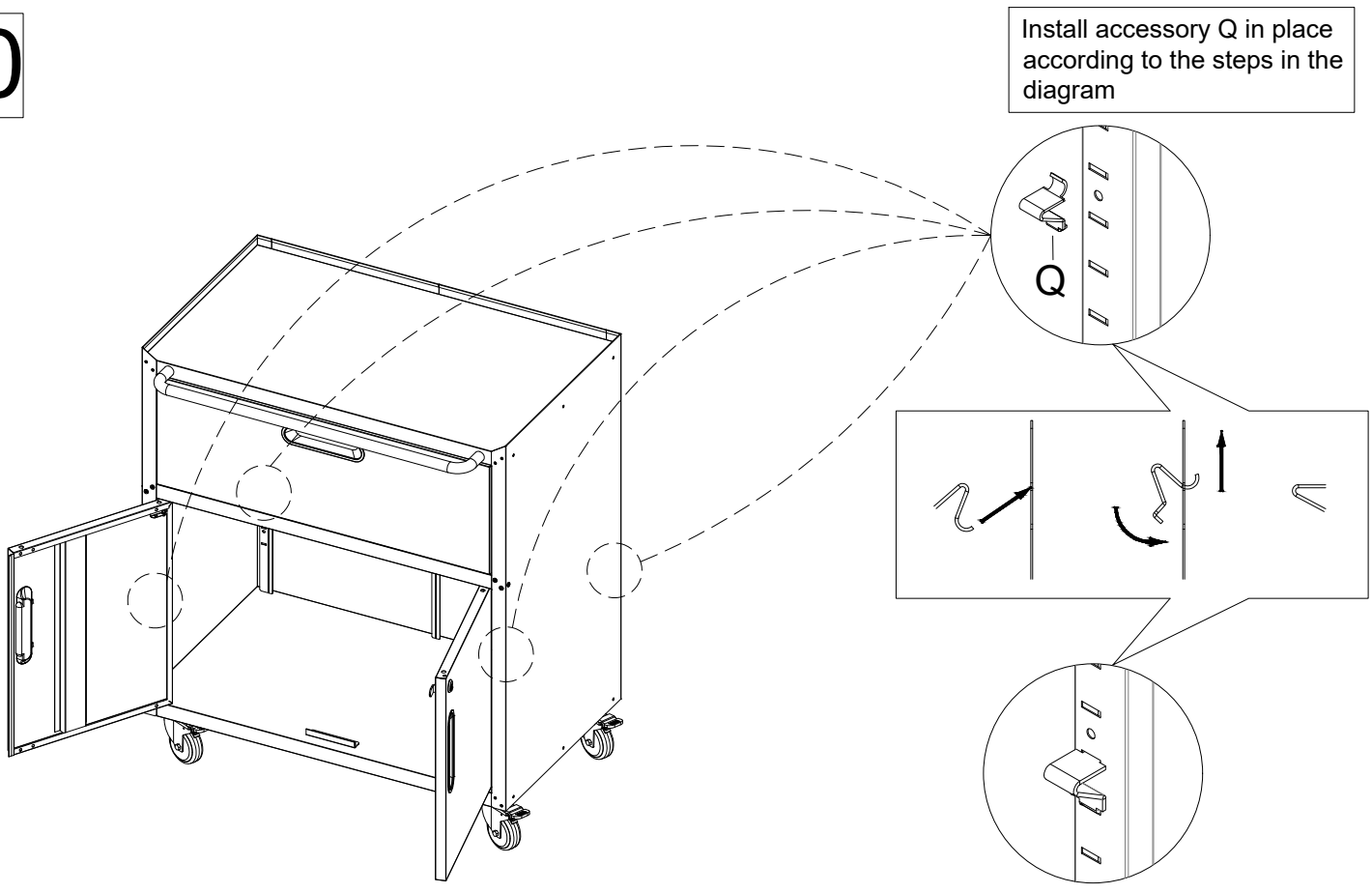
 **R×1**


19



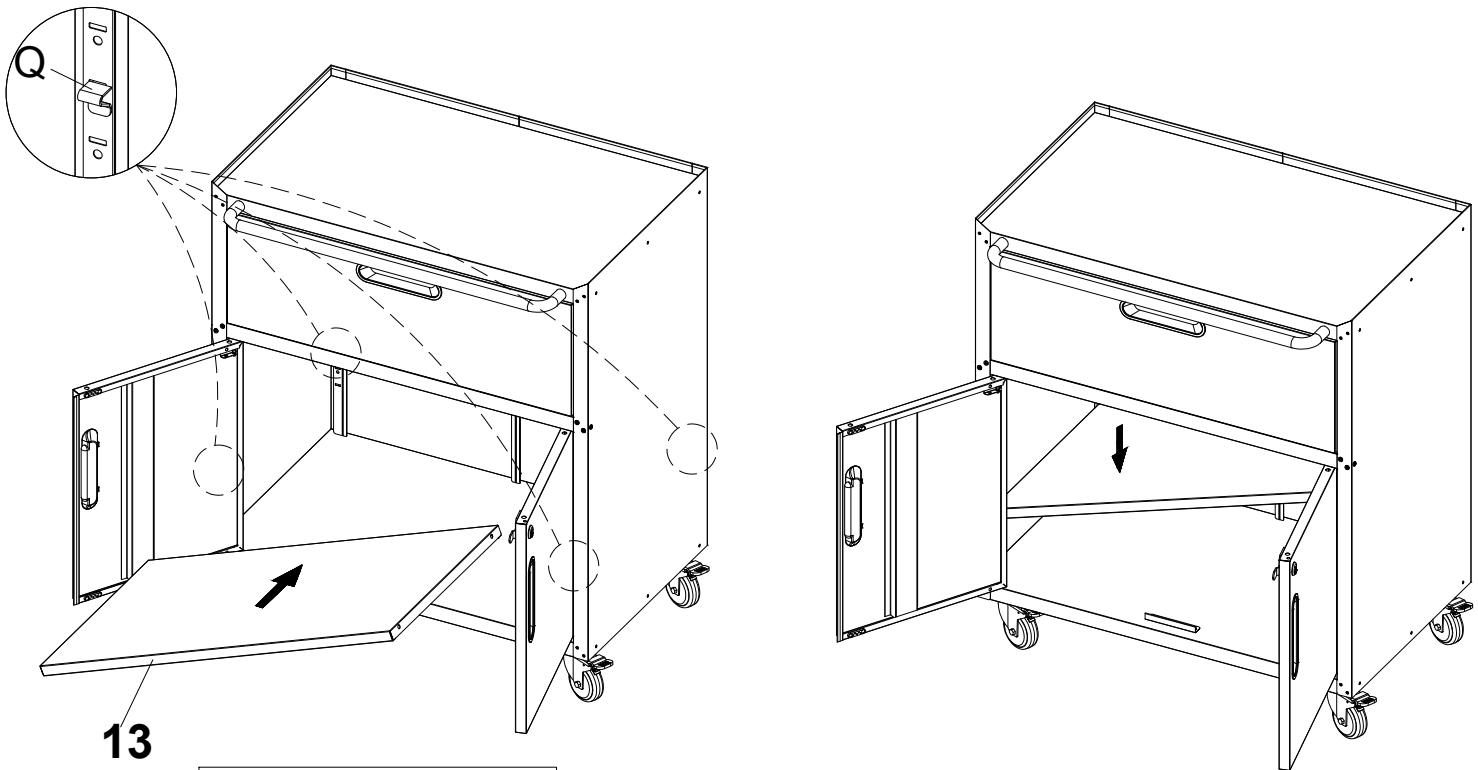
 **U×4**

20



 **Q×4**

21

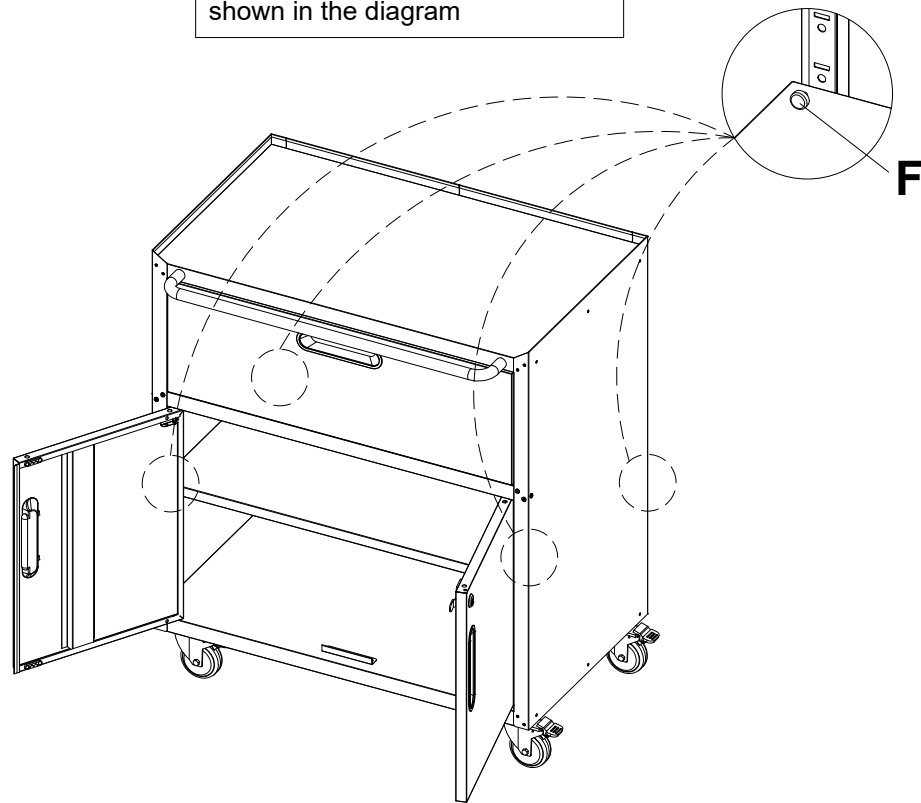


13

Install and place component 13 on attachment Q as shown in the diagram

22

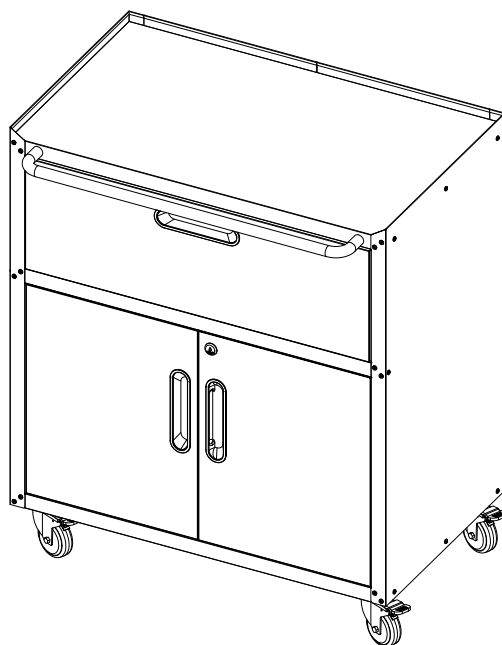
Install accessory F into position as shown in the diagram



F

 **F×4**

23



24

If you need to link another cabinet, you need to follow the following steps

First remove the 12 screws on the contact surface, then put the two cabinets together and fix them with 6 screws

