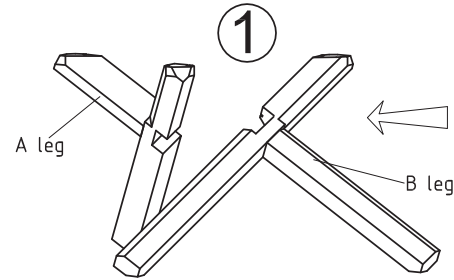
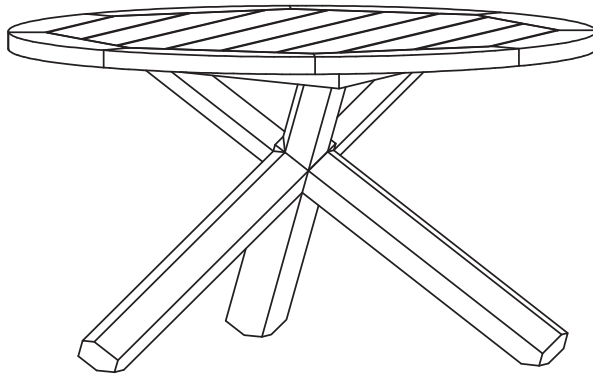
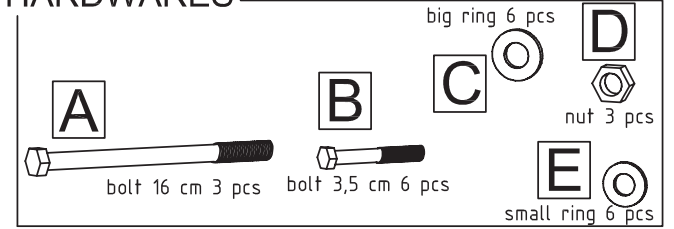


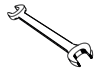
ASSEMBLY INSTRUCTION



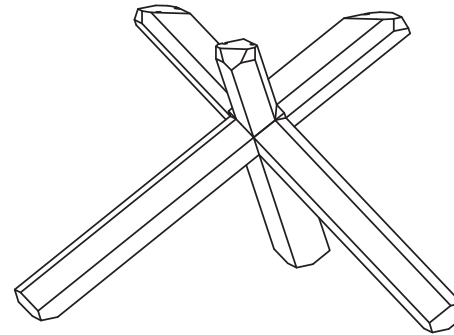
HARDWARES



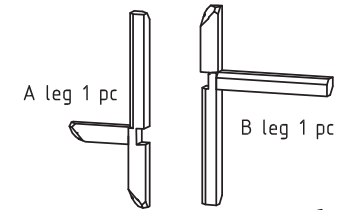
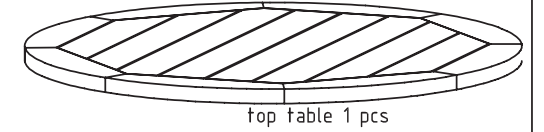
UTENSILS



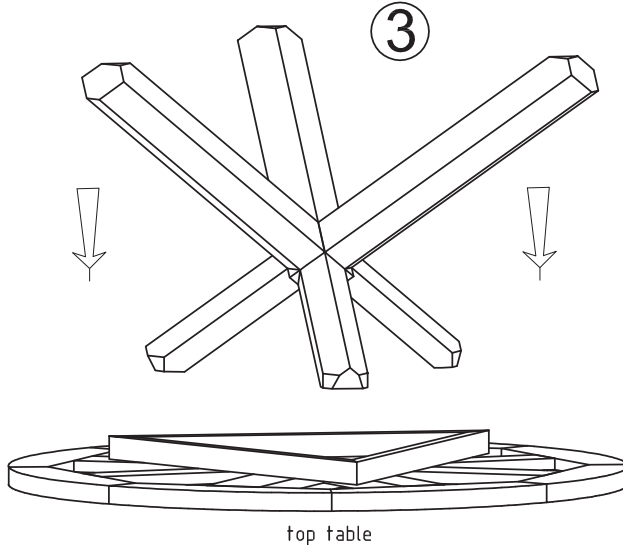
2



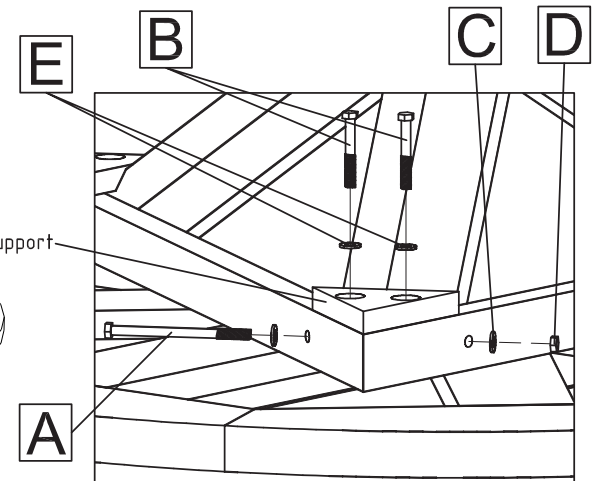
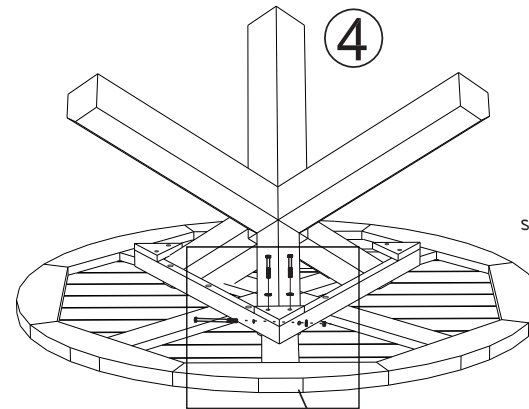
PRODUCT PARTS



3



4



DO NOT OVER TIGHTEN SCREWS
UNTIL THE TABLE IS FULLY ASSEMBLED