

ITEM NO. NSHM1180
Scan for manual,
video & advice.



If you have any questions or concerns,
don't hesitate to reach out to us.

Call us: +1(833)324-2464 (8 AM to 5 PM PST Monday-Friday)
Email: customerservice@hulalahome.com

MAINTENANCE AND WARNINGS

Thank You For Choosing Our Furniture.

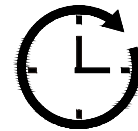
Please read the instructions and warnings carefully before use, to ensure safe and satisfactory operation of this product.

NOTE :

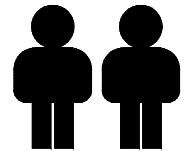
This brochure contains IMPORTANT safety info. Please read and keep it for future reference.



Weight Limitation
80 LBS



Installation:
55 minutes.







Two Person



Before You Start

Please follow the steps below:




-  Unbox the package and check if all parts and accessories are complete.
-  If you find something missing, stop assembly and contact your supplier immediately.
-  Please do not completely tighten all the hardware until the entire assembly is completed! Be sure to tighten all the hardware once the assembly completed.
-  NOTE: Should be assembled on soft surface to keep balance.

After-Sales Service

- If you encounter any issues or need technical support during use, please contact our after-sales team. We offer long-term maintenance and warranty services.



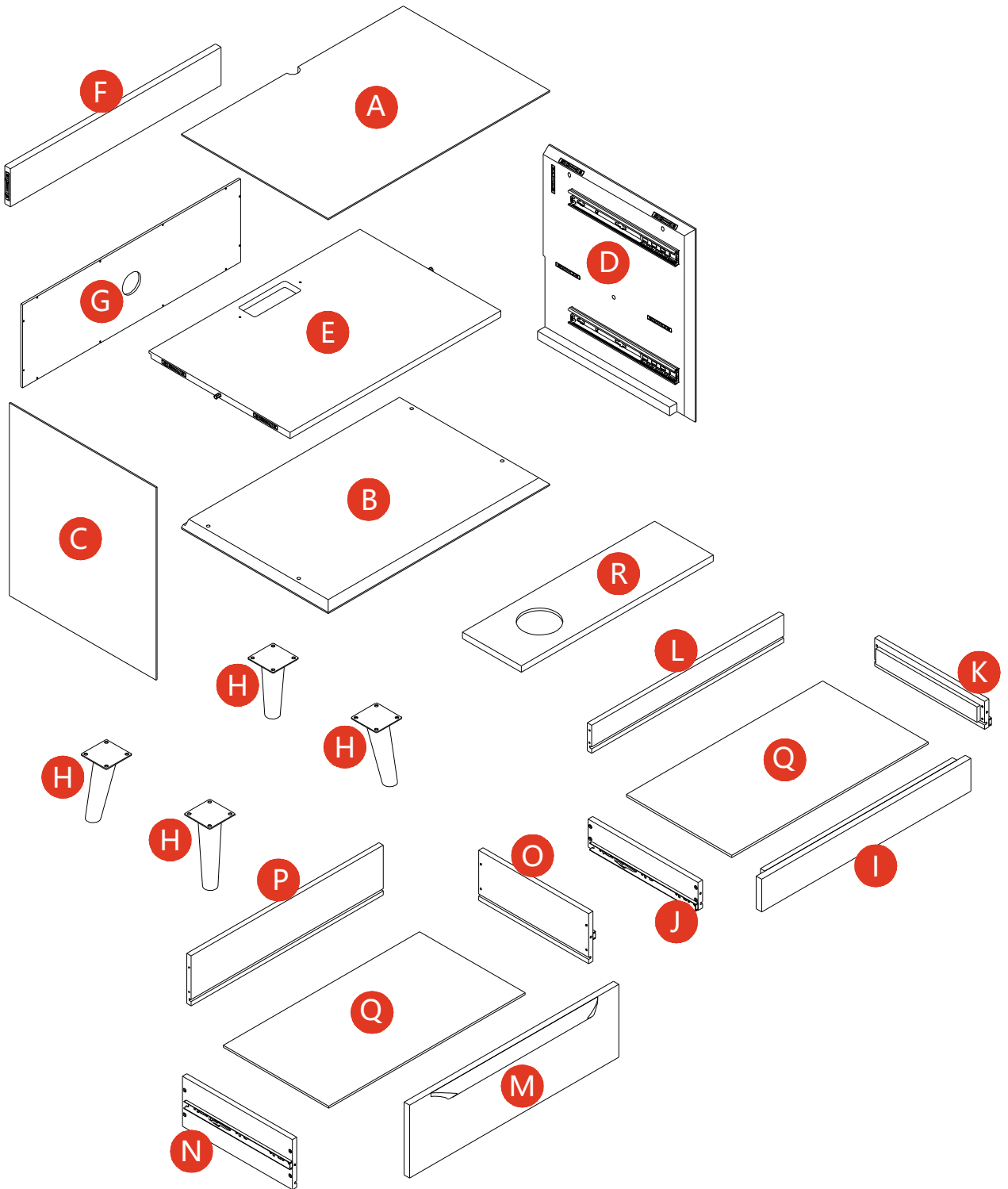
Warranty

-  We strive to offer high , quality products, and we also try our best to satisfy each and every customer that orders from us with product or service as needed. Each customer must provide a record of their order such as the order number, or item receipt for any items that are out of the warranty period you may also still receive replacement parts by purchasing them with our company if they are available.
-  Are you having difficulty with assembly? Missing parts? Please send email with your order number to customerservice@hulalahome.com
-  For return, please check the return policy with the retailer or market place you bought from. Appreciate your purchasing from us. Pop up your life by our furniture piece!

Daily Maintenance

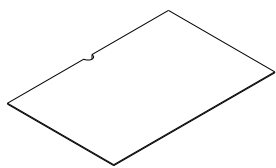
- Keep furniture away from heat.
- Do not use cleaning agents containing acids, alkalis, or corrosive substances, as they may damage the surface. It is recommended to use neutral cleaning agents or specialized furniture cleaners.
- Do not place furniture under direct sunlight, material will possibly fade over time.
- Do not use on site dry cleaning machine.
- Children should not climb or jump on the furniture.
- Do not write on furniture without a padded barrier to protect the surface.
- Not for commercial use, for residential use only.

Exploded Diagram



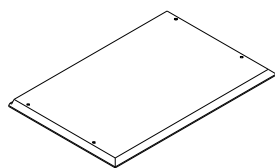
Parts List

A x1



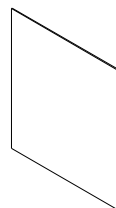
Top panel

B x1



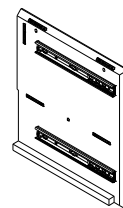
Bottom panel

C x1



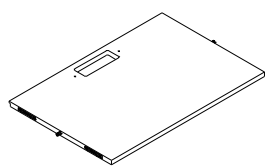
Left side panel

D x1



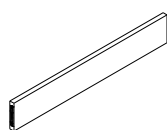
Right side panel

E x1



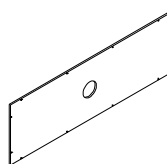
Middle panel

F x1



Back panel

G x1



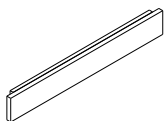
Back panel

H x4



Foot

I x1



Drawer front panel

J x1



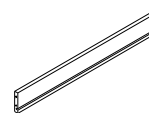
Drawer left side panel

K x1



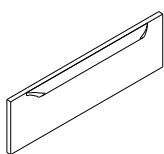
Drawer right side panel

L x1



Drawer back panel

M x1



Drawer front panel

N x1



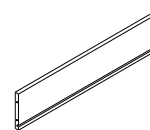
Drawer left side panel

O x1



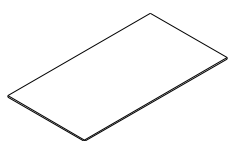
Drawer right side panel

P x1



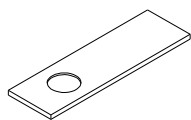
Drawer back panel

Q x2



Drawer bottom panel

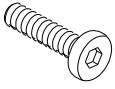
R x1



Cup holder shelf

Hardware List

1 x4



Flat head screw
Ø6*25mm

2 x16+1



Flat head screw
Ø6*13mm

3 x16+1



Flat washer

4 x16+1



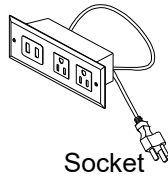
Spring washer

5 x12+1



Screw
Ø3*14mm

6 x1



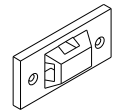
Socket

7 x2



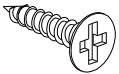
Screw
Ø3*12mm

8 x4



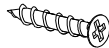
Anti-tip
component

9 x4



Screw
Ø3.5*14mm

10 x16+1



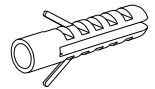
Screw
Ø8*25mm

11 x4



Screw
Ø3.5*35mm

12 x4



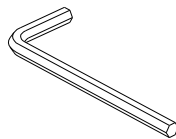
Wall anchor

13 x2



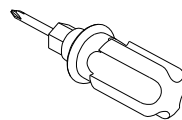
Tie

14 x1



allen key

15 x1

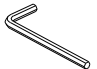


screwdriver

Assembly Instructions

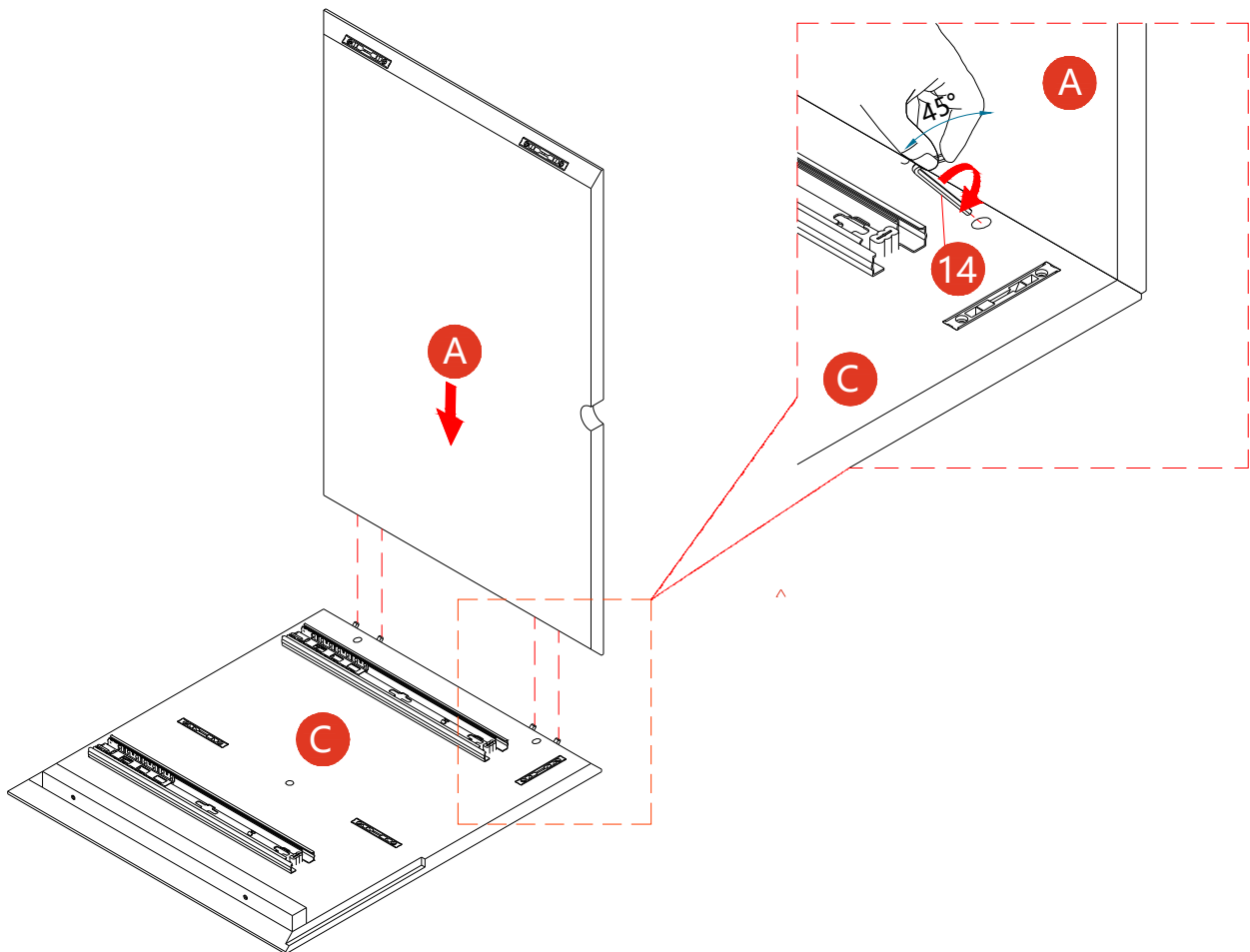
Step 1

Insert part (A) to part (C), make sure all holes aligned and tight with allen wrench(14).

14	 x 1	M4
----	---	----

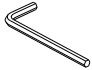


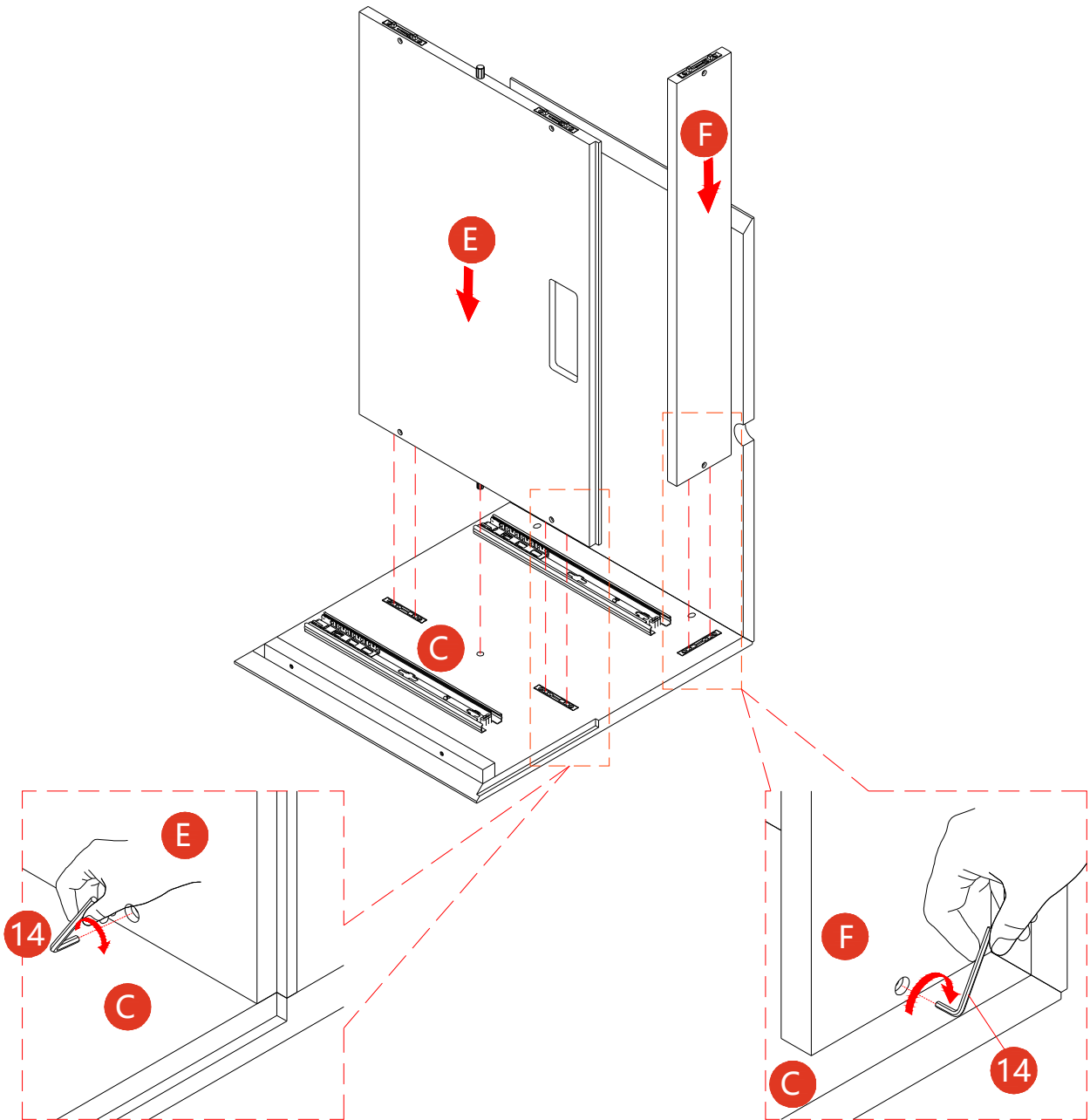
Note:
The allen wrench must be keep at a 45 degree Angle to the panel A



Step 2

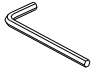
Insert part (E/F) to part (C) , make sure all holes aligned and tight with allen wrench(14).


14	 x 1	M4
----	---	----

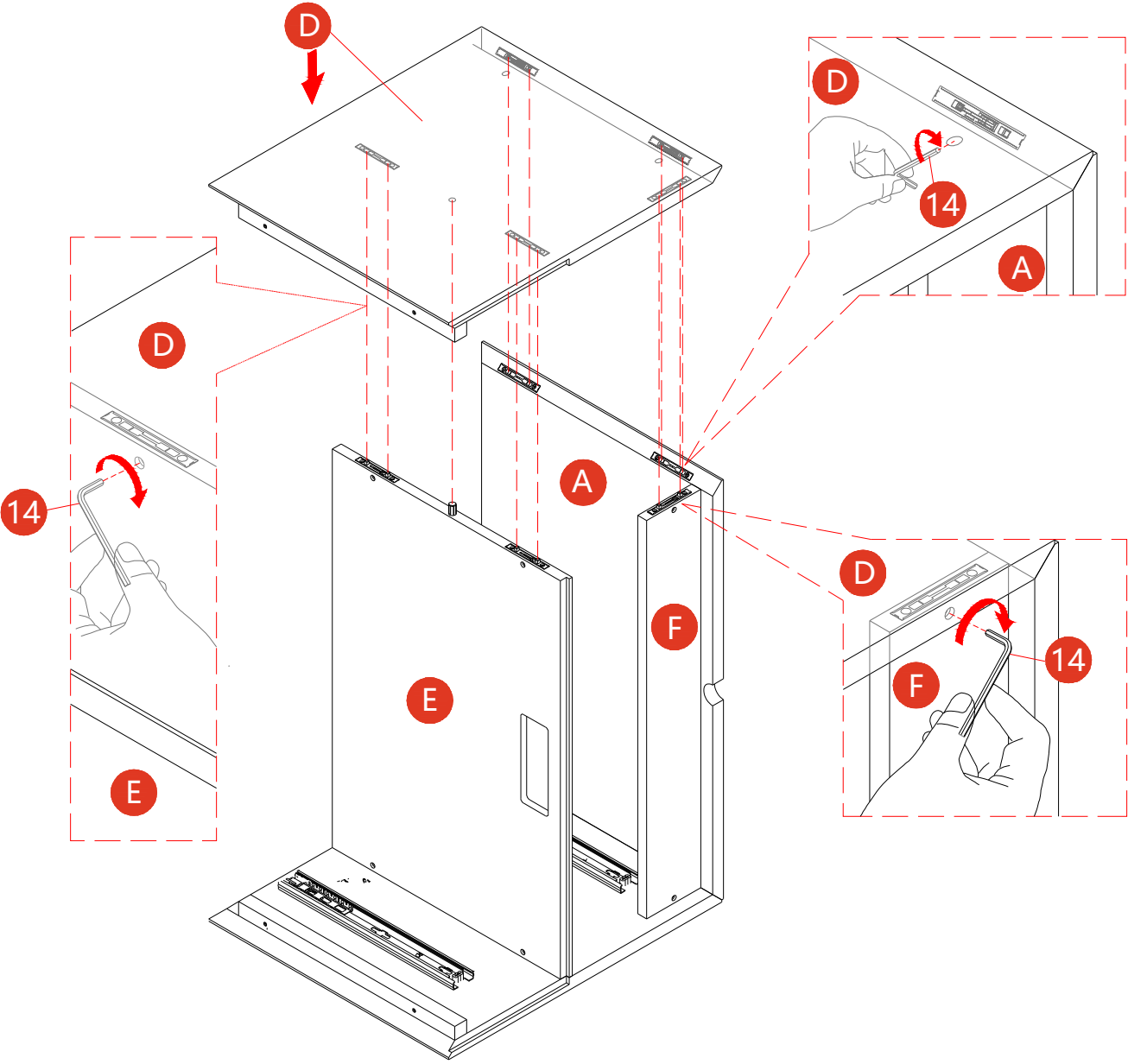


Step 3

Insert part (D) to part (A/E/F) ,make sure all holes aligned and tight with allen wrench (14).

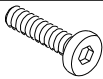
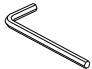
14	 x 1	M4
----	---	----

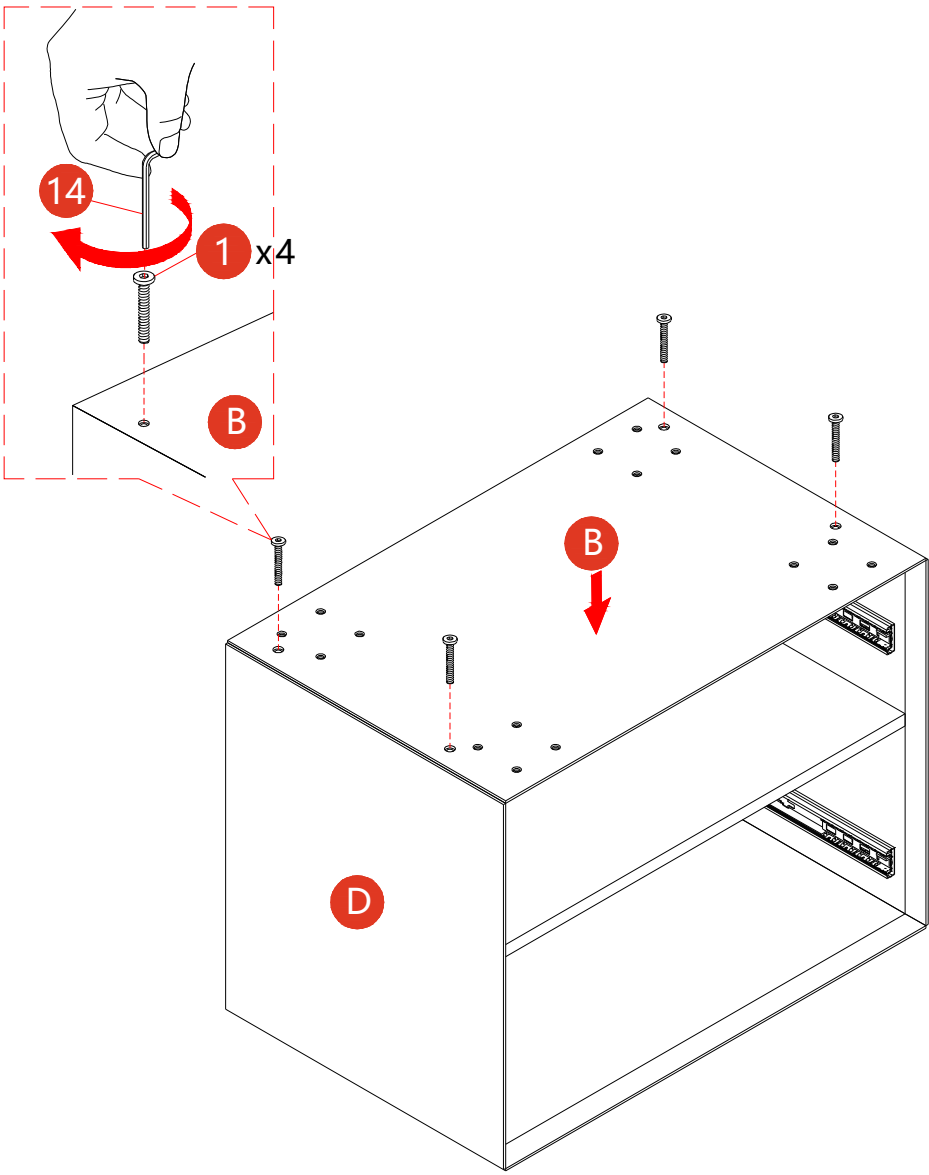
 Note:
The allen wrench must be keep at a 45 degree Angle to the panel A



Step 4

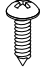
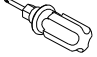
Connect part (B) to the unit pre-assembled at step (3) with bolt (1) and tight with allen wrench (14).

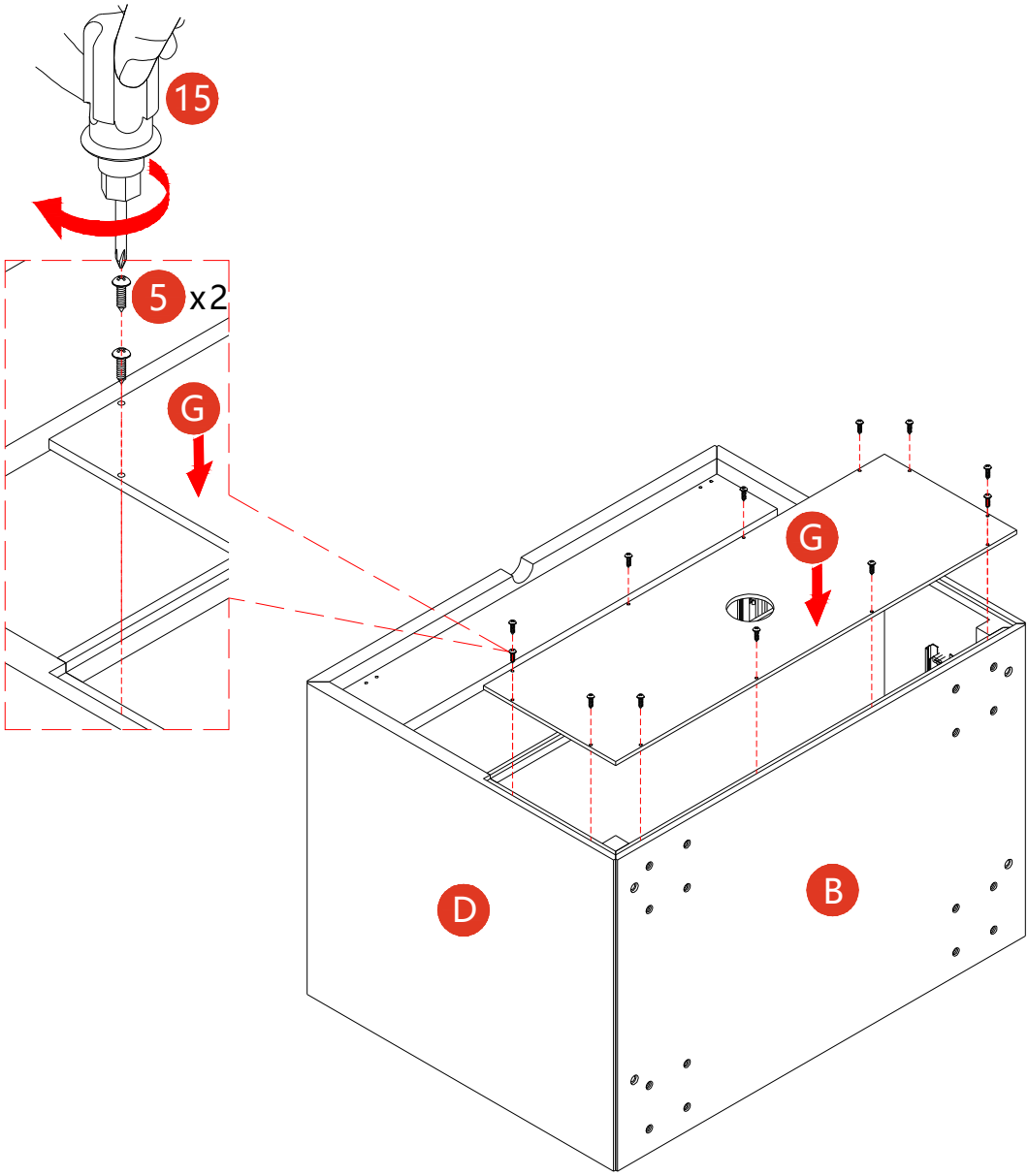
1	 x 4	Ø6*25mm
14	 x 1	M4



Step 5

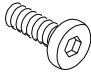


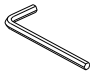
Connect part (G) to the unit pre-assembled at step (4) with screw (5) and tight screw with screwdriver (15).

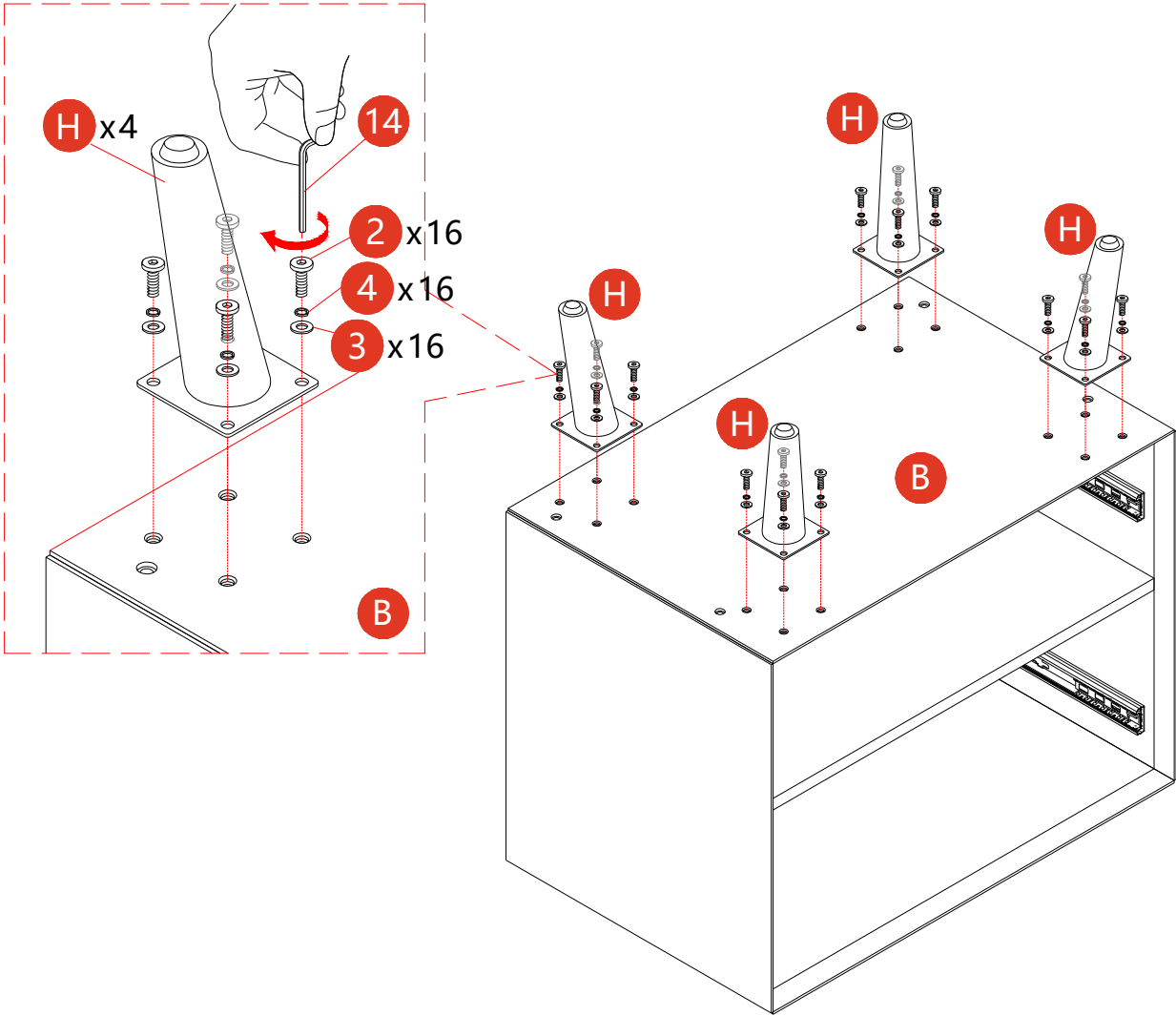
5	 x 12	Ø3*14mm
15	 x 1	screwdriver



Step 6

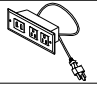
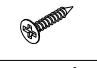
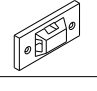

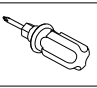
Connect part (H) to the unit pre-assembled at step (5) with bolt (2), flat washer (3) and spring washer (4).tight bolt with allen key (14).

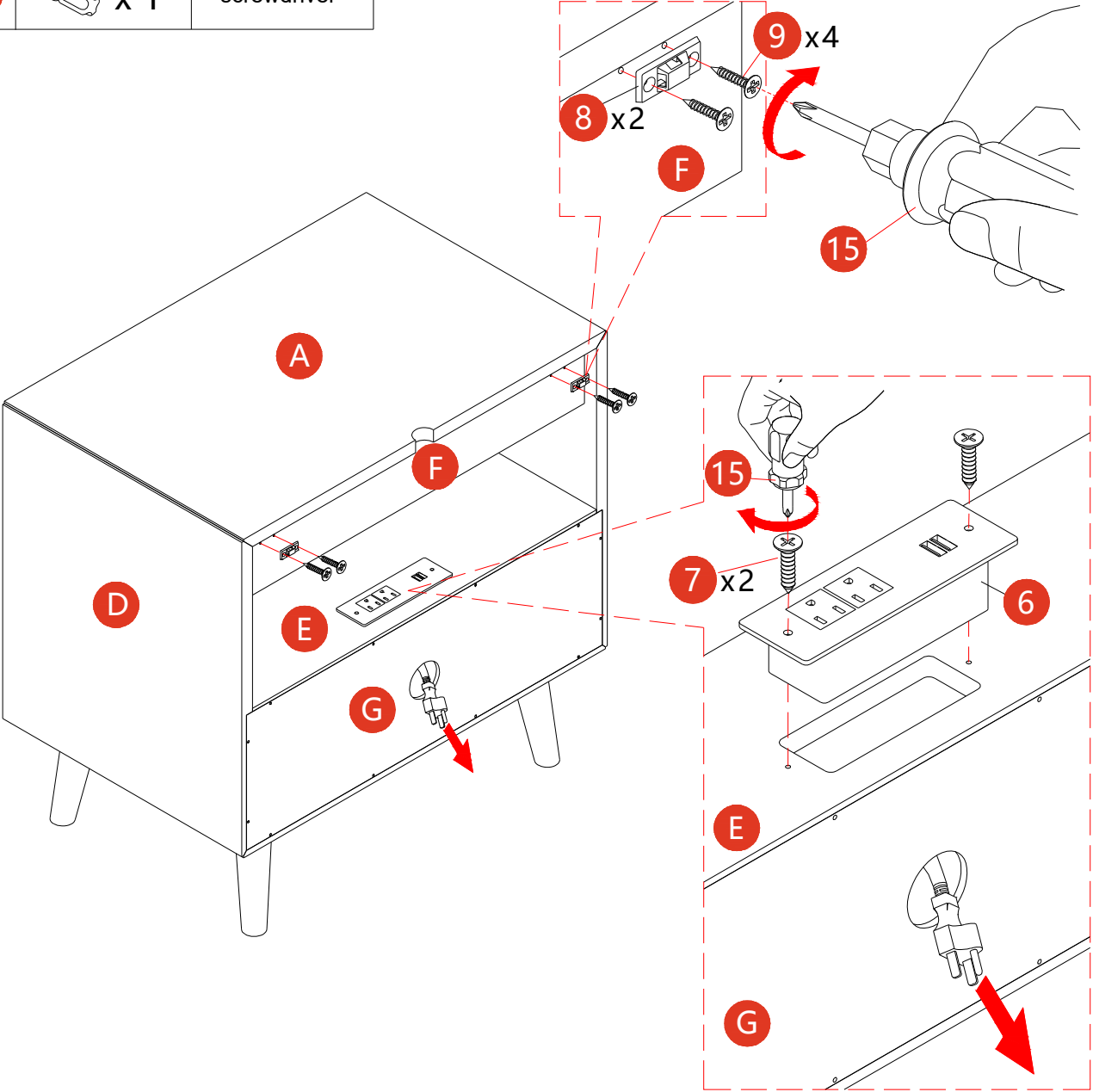
2	 x 16	Ø6*13mm
3	 x 16	Flat washer
4	 x 16	Spring washer
14	 x 1	M4



Step 7


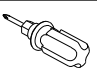
1. Connect part (6) to part (E) with screw (7), tight screw with screwdriver (15).
2. Connect part (8) to part (F) with screw (9), tight screw with screwdriver (15).

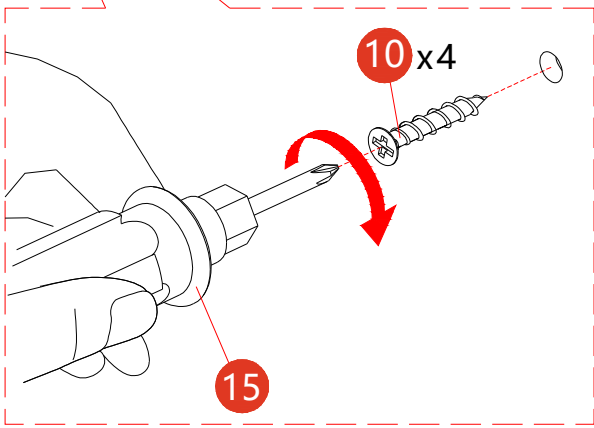
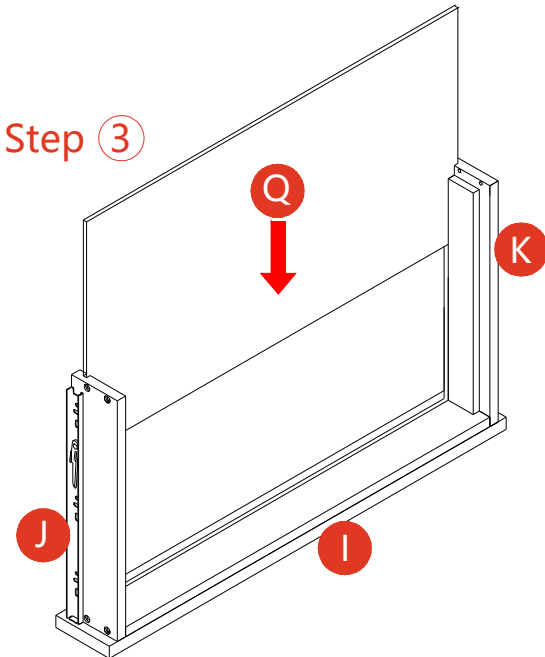
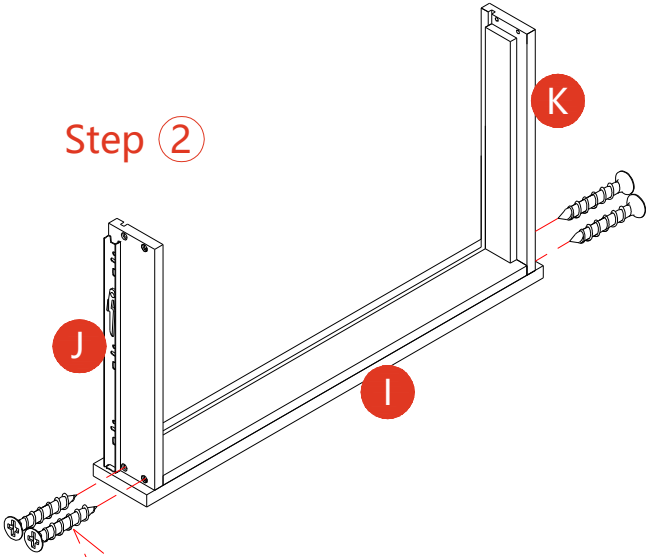
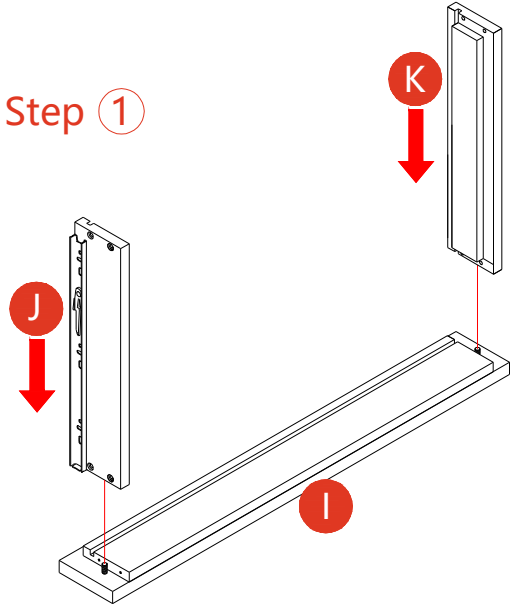
6	 x 1	Socket
7	 x 2	Ø3*12mm
8	 x 2	Anti-tip component
9	 x 4	Ø3.5*14mm
15	 x 1	screwdriver



Step 8


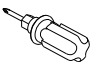
- 1. Connect part (J/K) to part (I) with screw (10), tight screw with screwdriver (15).
- 2. Slide part (Q) to part (J/K), make sure it also in the groove of part (I).

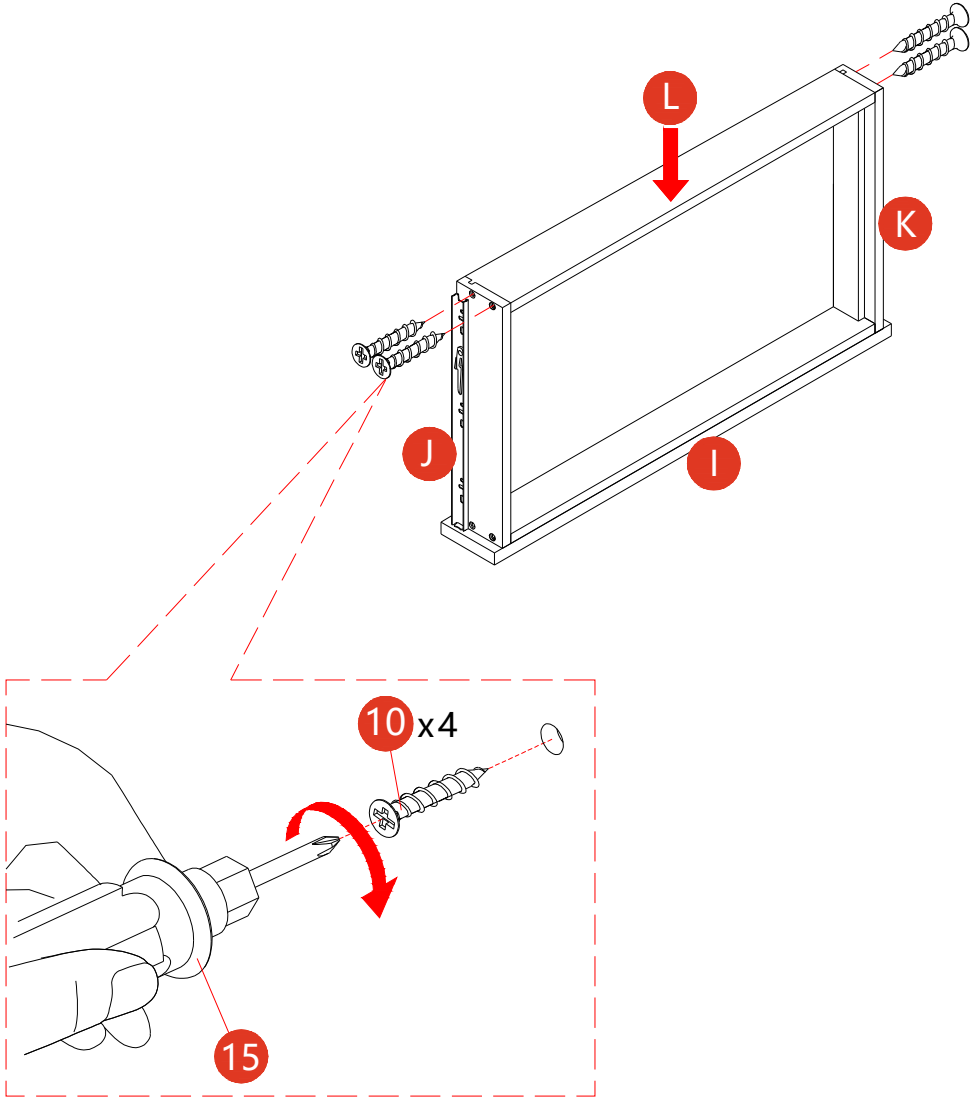
10	 x 4	Ø8*25mm
15	 x 1	screwdriver



Step 9

Connect part (L) to part (J/K) with screw (10), tight screw with screwdriver (15).

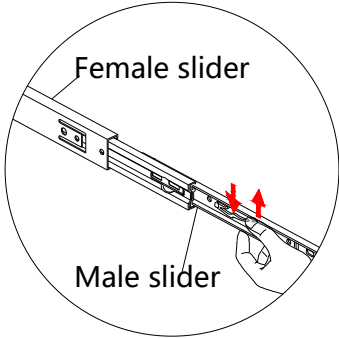
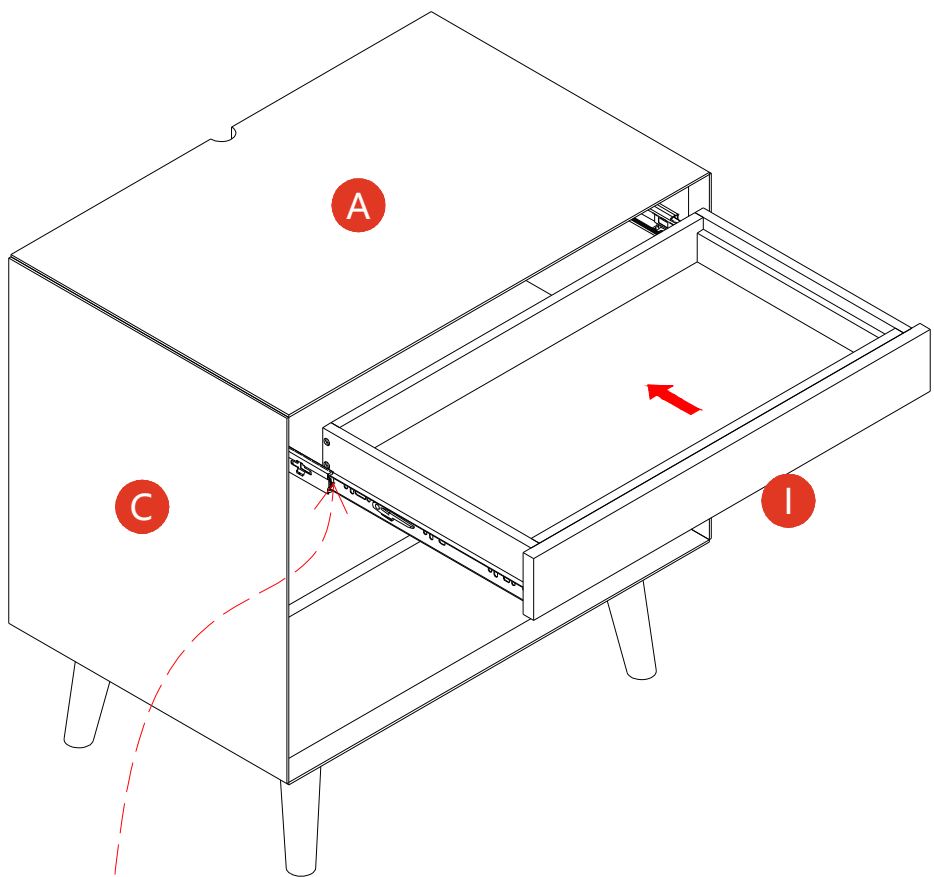
10	 x 4	Ø8*25mm
15	 x 1	screwdriver



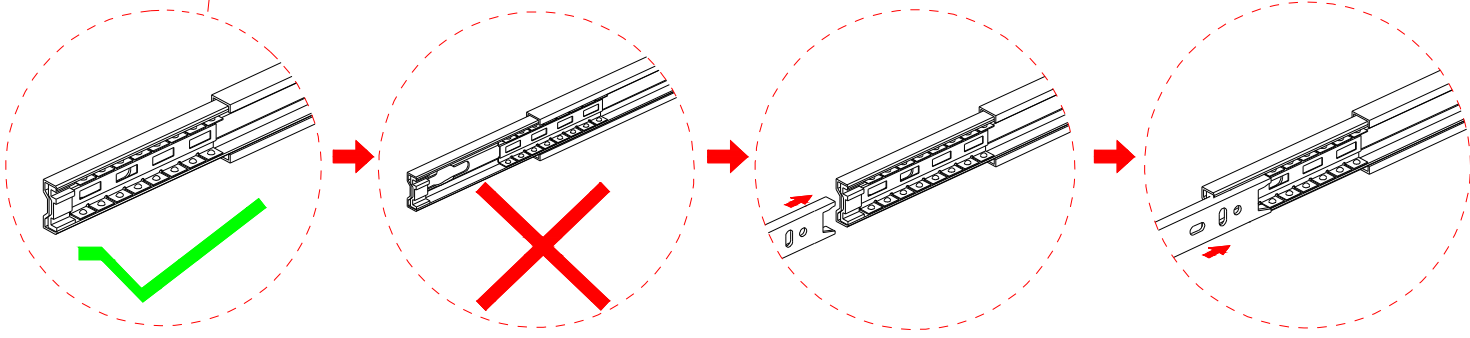
Step 10

Attach top drawer to the unit pre-assembled at step (7).

!
Attention: When installing the drawer, slide the steel ball slide rail of side panel to the most front as picture show.

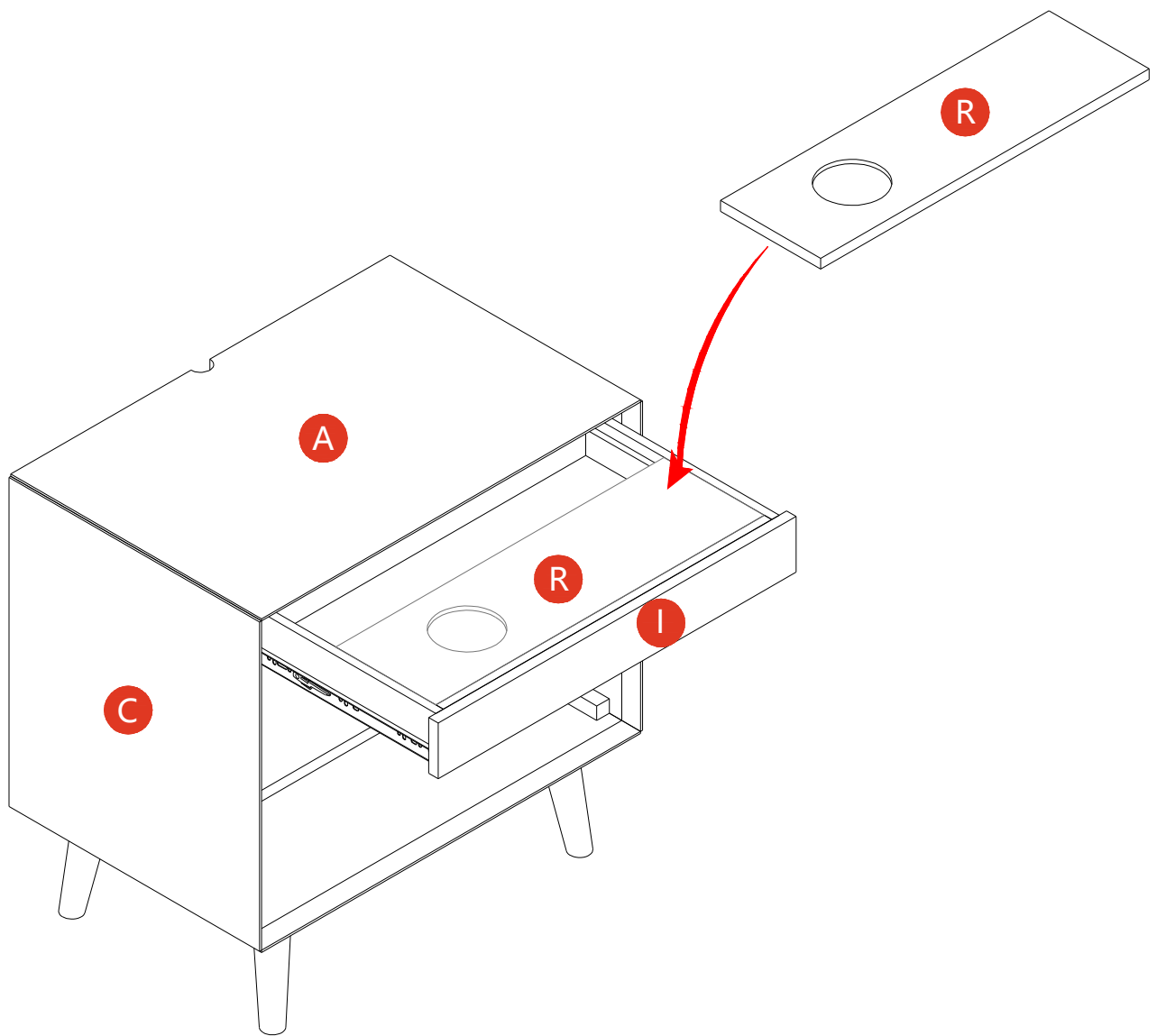


Schematic diagram of slide rail disassembly





Step 11

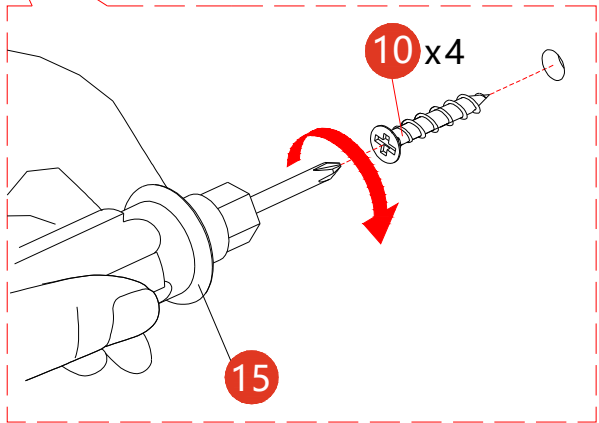
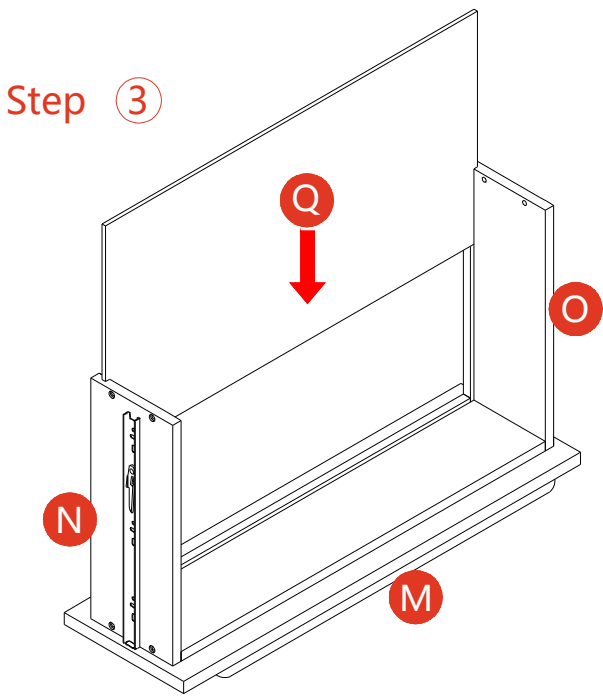
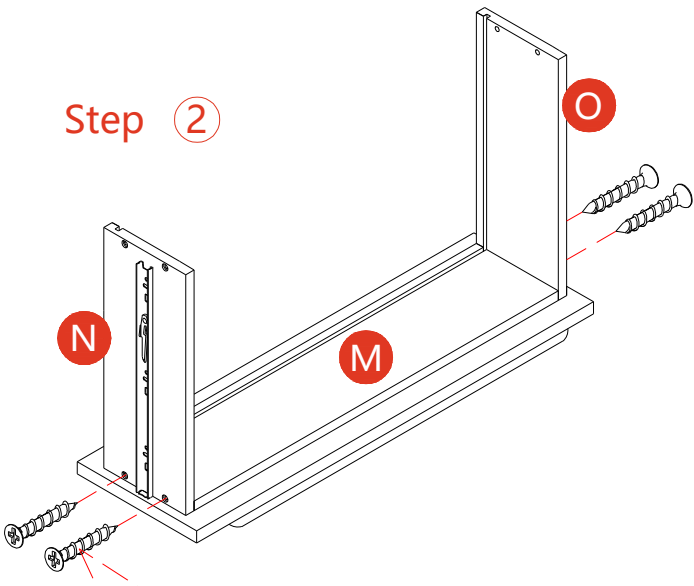
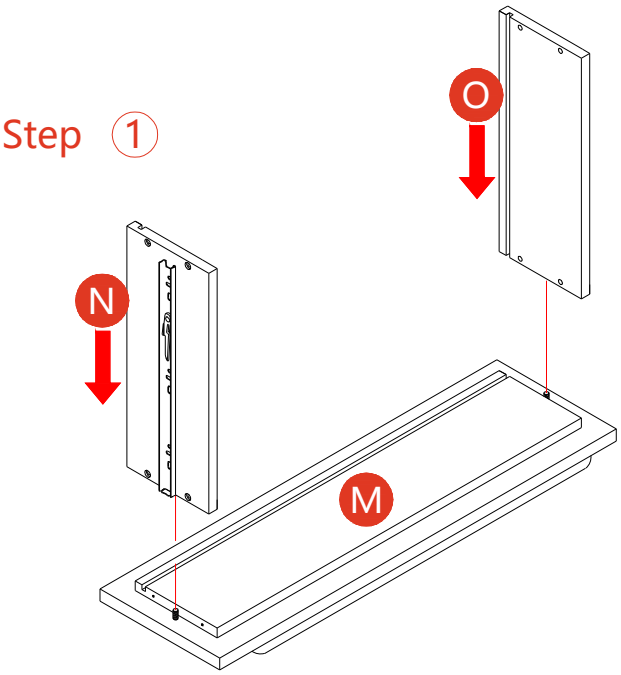
Attach part (R) to top drawer with hand.



Step 12


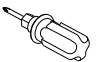
1. Connect part (O/N) to part (M) with screw (10), tight screw with screwdriver (15).
2. Slide part (Q) to part (O/N), make sure it also in the groove of part(M).

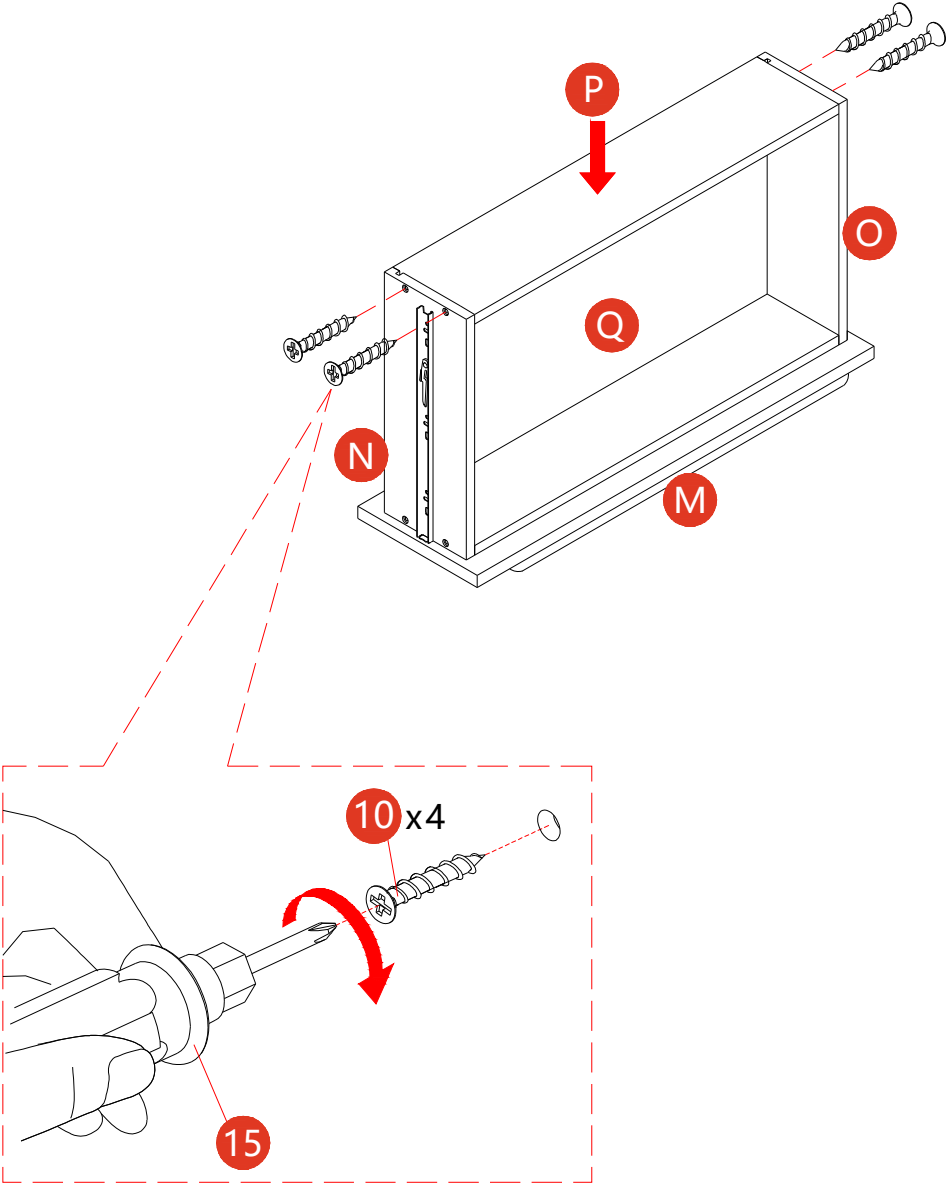
10	 x 4	Ø8*25mm
15	 x 1	screwdriver



Step 13

Connect part (P) to part (N/O) with screw (10), tight screw with screwdriver (15).

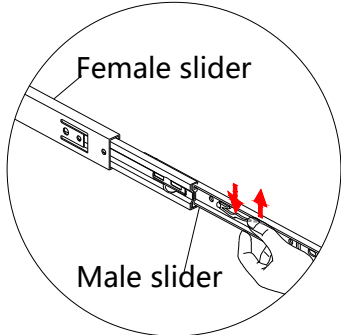
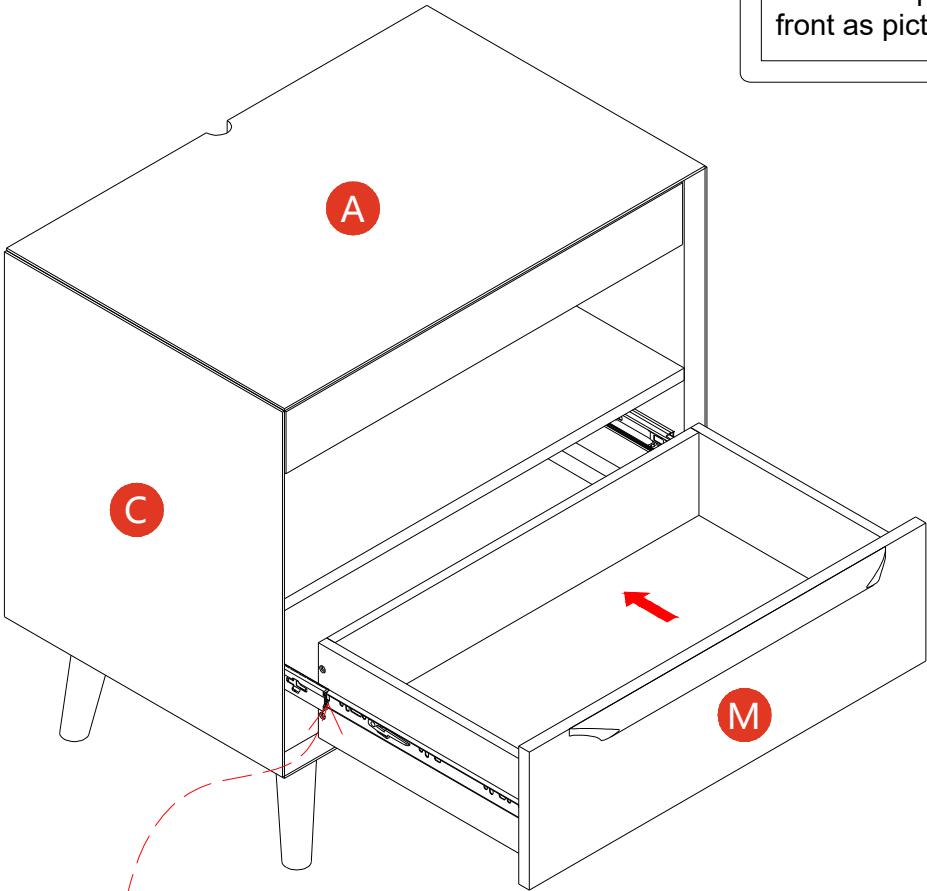
10	 x 4	Ø8*25mm
15	 x 1	screwdriver



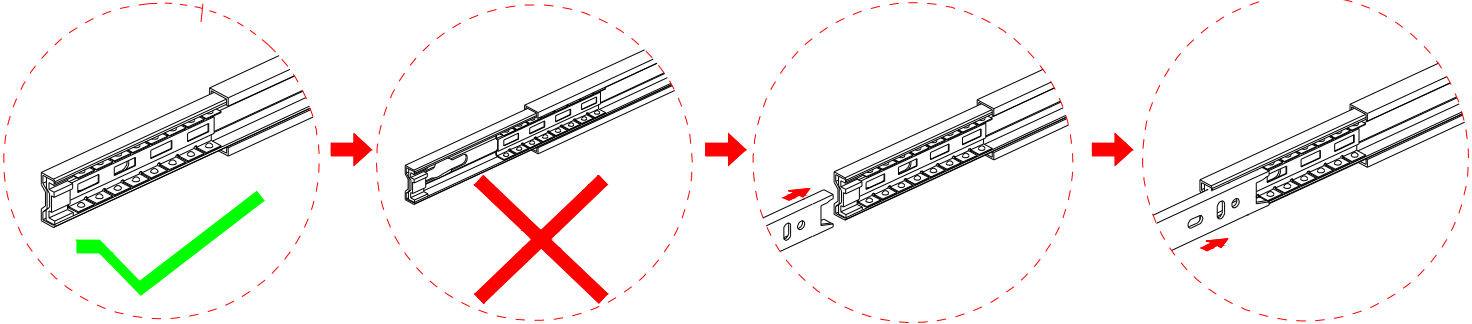
Step 14

Attach bottom drawer to the unit pre-assembled at step (11).

!
Attention: When installing the drawer, slide the steel ball slide rail of side panel to the most front as picture show.



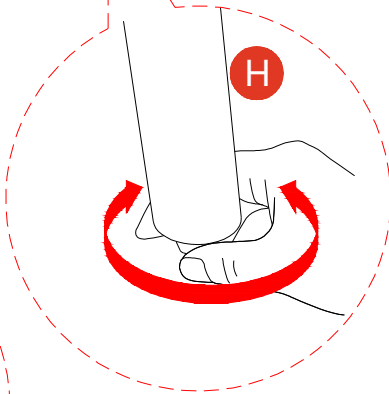
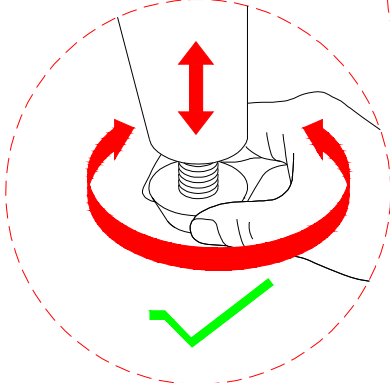
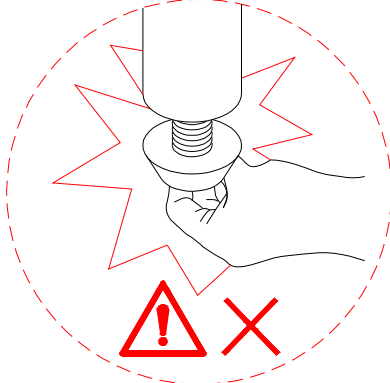
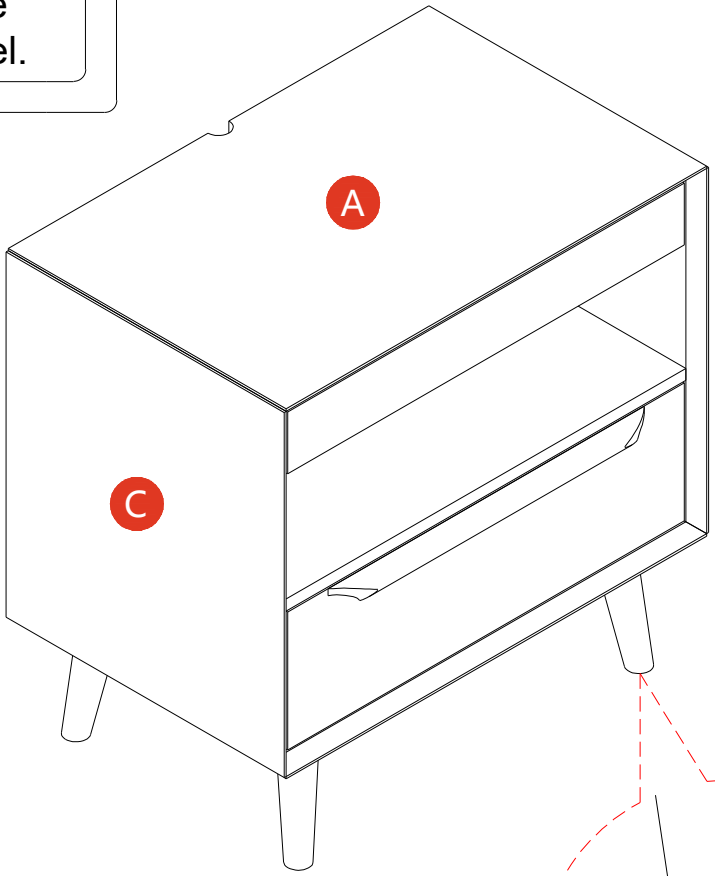
Schematic diagram of slide rail disassembly



Step 15

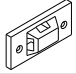





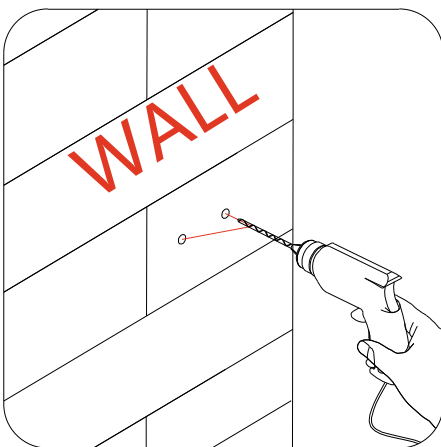
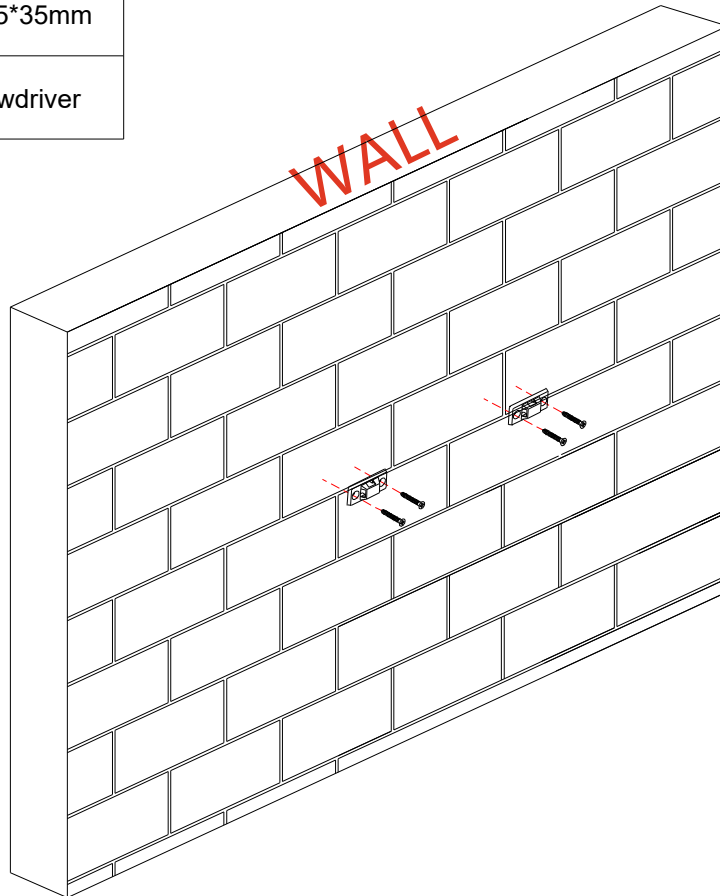
Attention:
Before the next step,
adjust the feet of the
locker to keep it level.



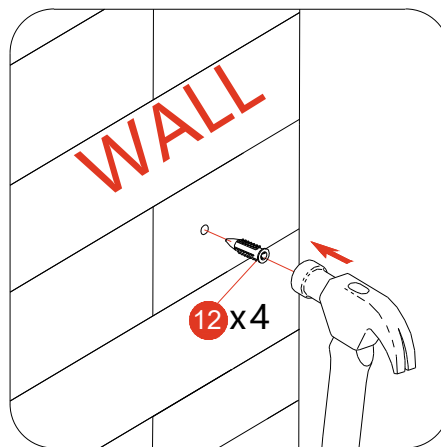
Step 11

Install Anti-tip device (8) to the wall in this step.

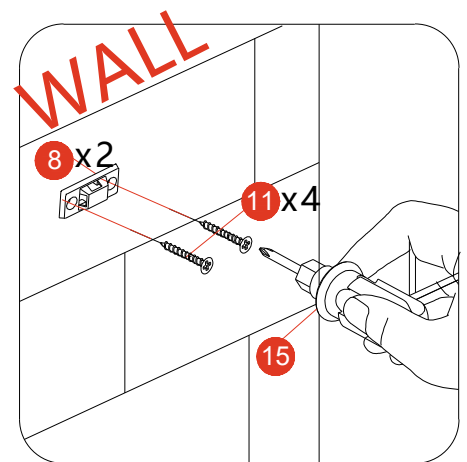
8		x 2	Anti-tip component
12		x 4	Wall anchor
11		x 4	Ø3.5*35mm
15		x 1	screwdriver



1. Drill a hole in the wall with an electric drill.



2. Tap the plastic wall anchor into the hole with a hammer.



3. Secure the Anti-tip device (5) to the wall with screws (7)

Step 12

WARNING

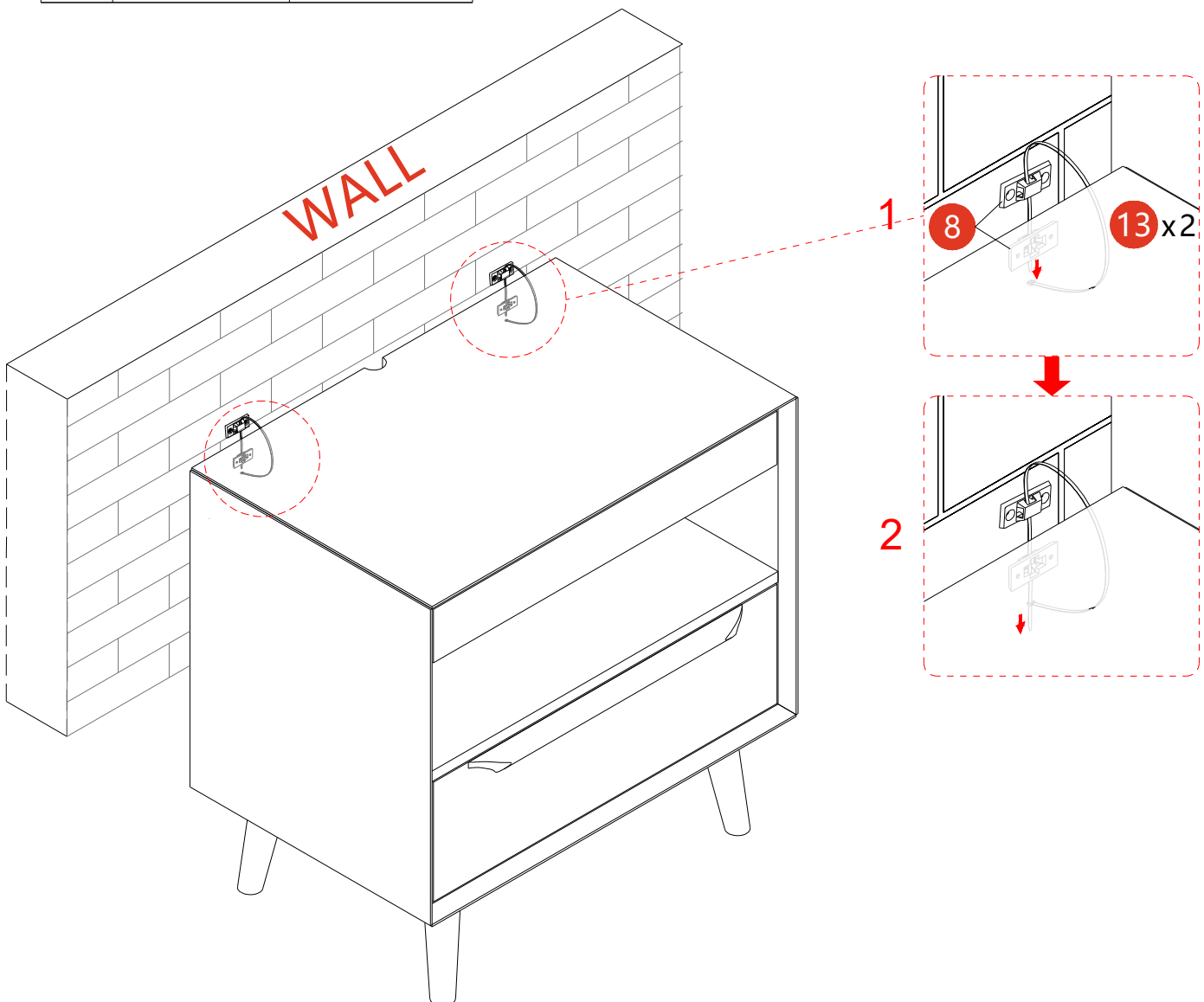
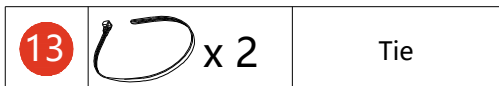
Children have died from furniture tipover.

To reduce the risk of furniture tipover:

- ALWAYS install Anti-tip device provided.
- For use with televisions weighing 35 lb or less. Use with heavier televisions may result in instability causing tip-over resulting in death or serious injury.
- NEVER allow children to stand, climb or hang on drawers, doors, or shelves.
- NEVER open more than one drawer at a time.
- Place heaviest items in the lowest drawers.



Let the plastic belt (13) pass through the both part(8) and pull tightly.



WWW.HULALAHOME.COM

Email: customerservice@hulalahome.com

Call us: +1(833)324-2464 (8 AM to 5 PM PST Monday-Friday)