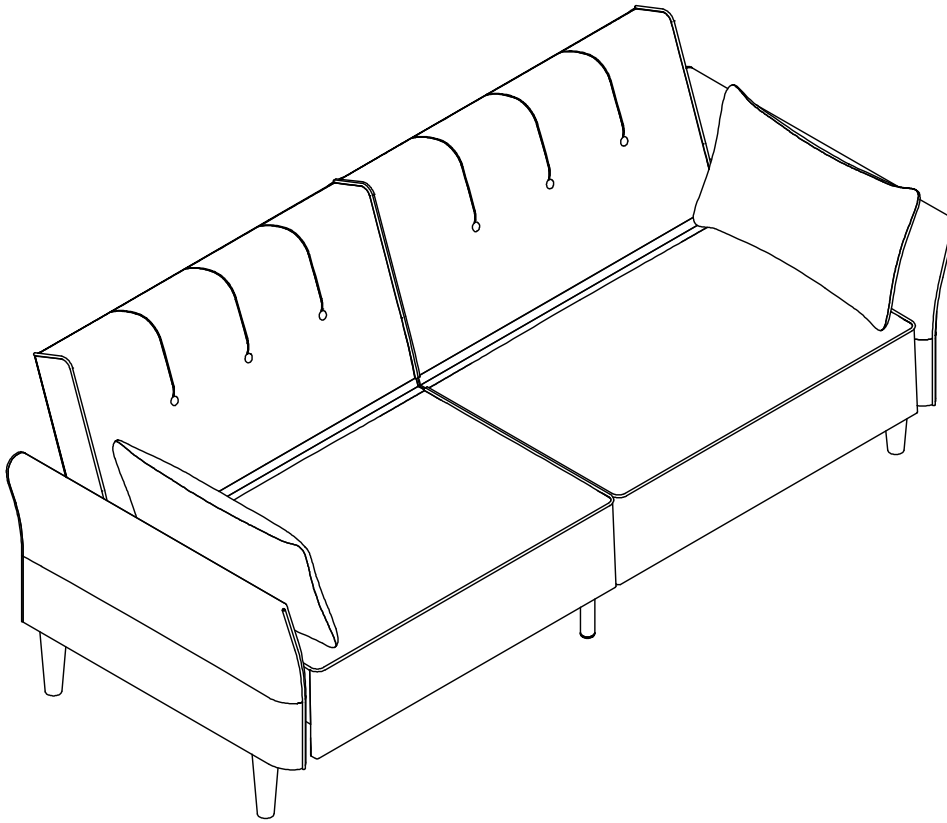
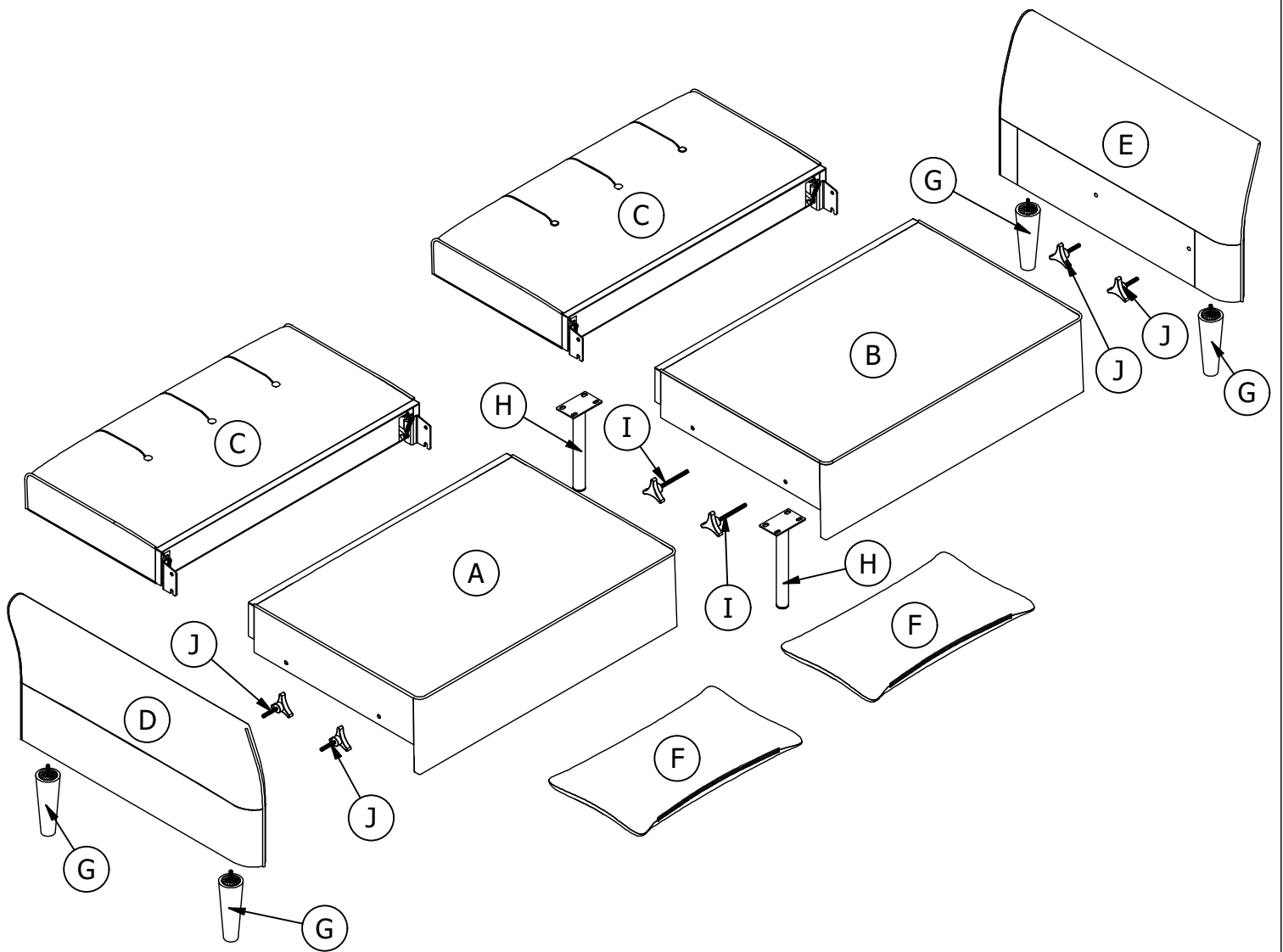


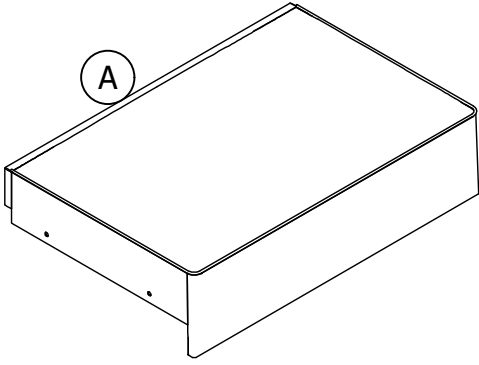
Assembly Instructions



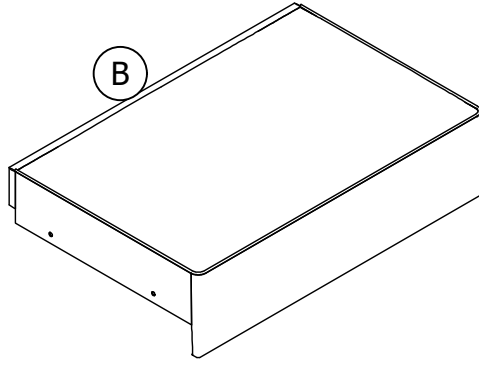
PARTS



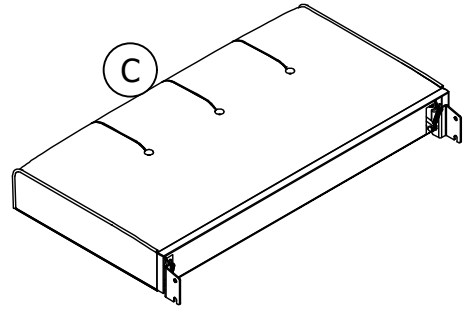
PARTS LIST



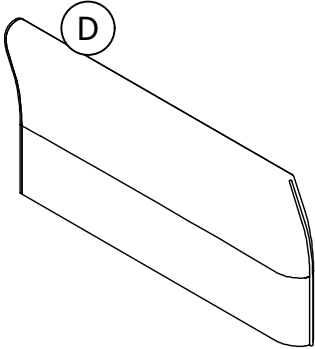
Left Seat X 1 PC



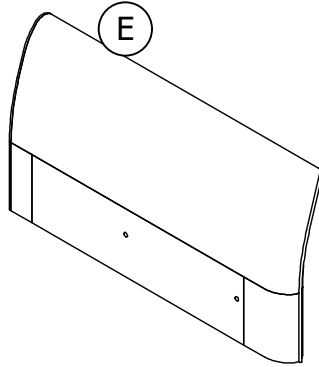
Right Seat X 1 PC



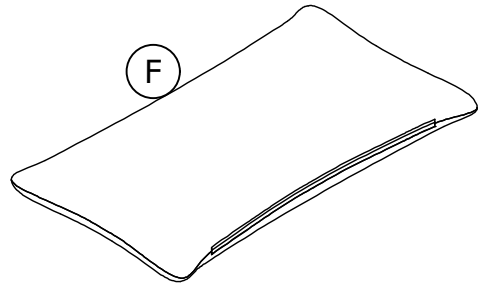
Back X 2 PCS



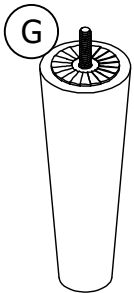
Left Armrest X 1 PC



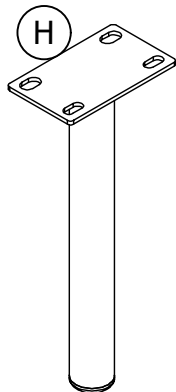
Right Armrest X 1 PC



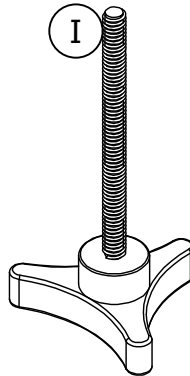
Pillow X 2 PCS



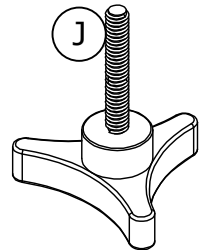
Legs X 4 PCS



Middle Leg X 2 PCS

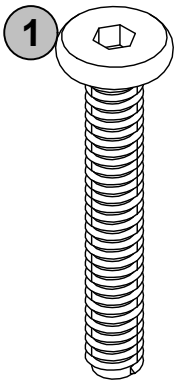


Bolt 80mm X 2 PCS

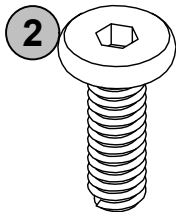


Bolt 50mm X 4 PCS

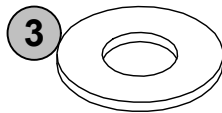
HARDWARE



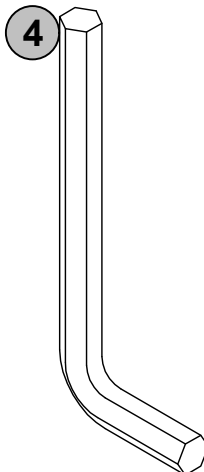
Bolt
5/16" X 50mm
X 8



Bolt
5/16" X 23mm
X 8



Washer
X 8

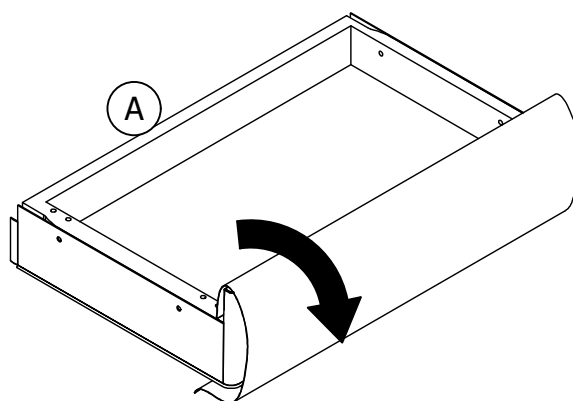
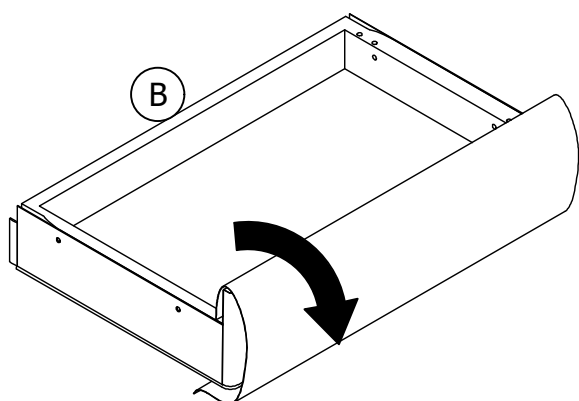


Allen Key 5mm
X 1

Place all parts on a clean, smooth surface.

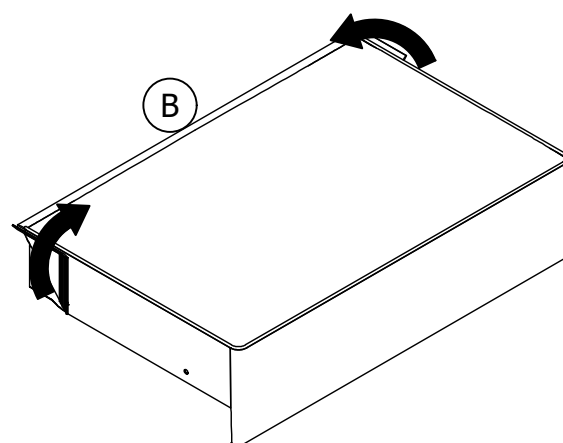
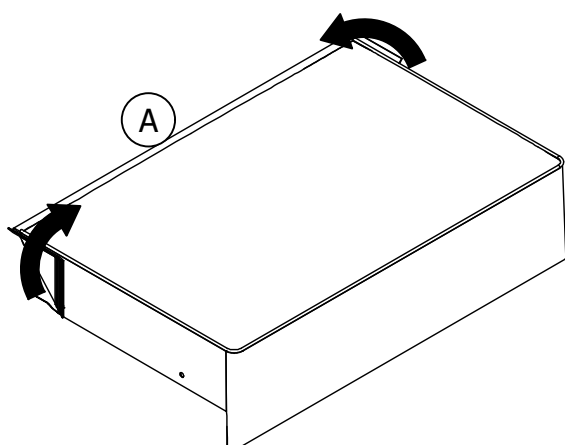
STEP 1:

Something will be found in the compartment under the seat **A** & **B**, as shown.



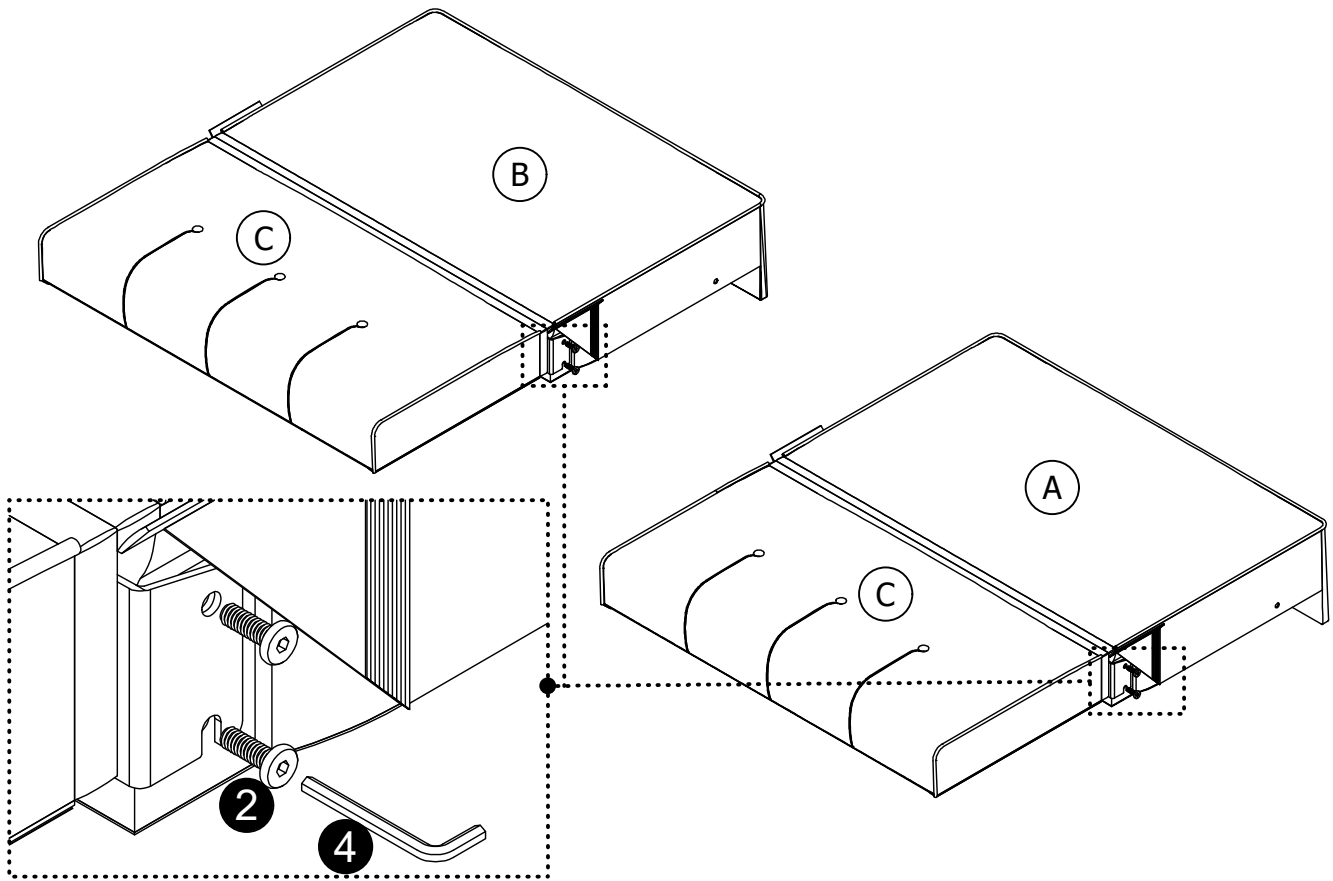
STEP 2:

Open the hook and loop fastener at both sides of seat, as shown.



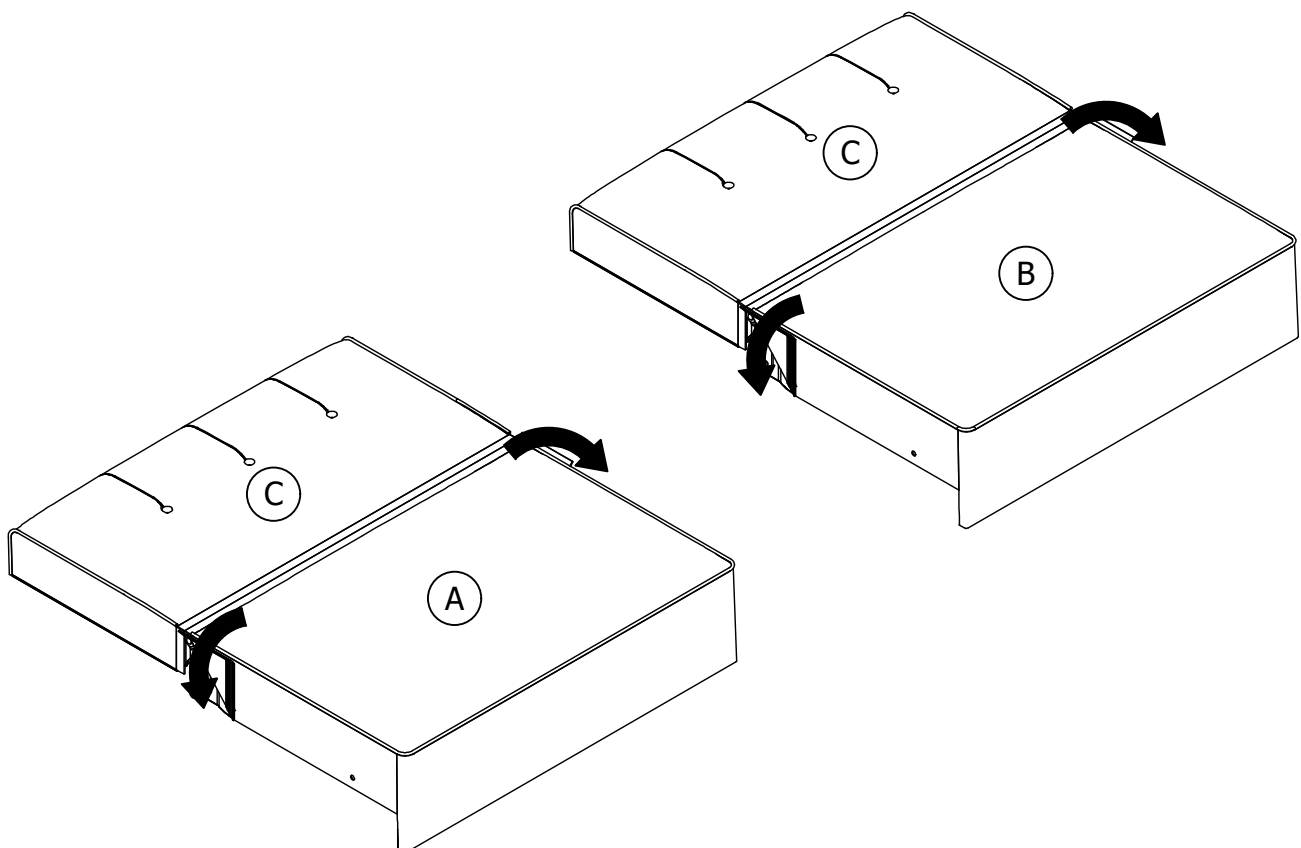
STEP 3:

Attach back **C** x 2 to seat **A** & **B** with bolt , as shown.



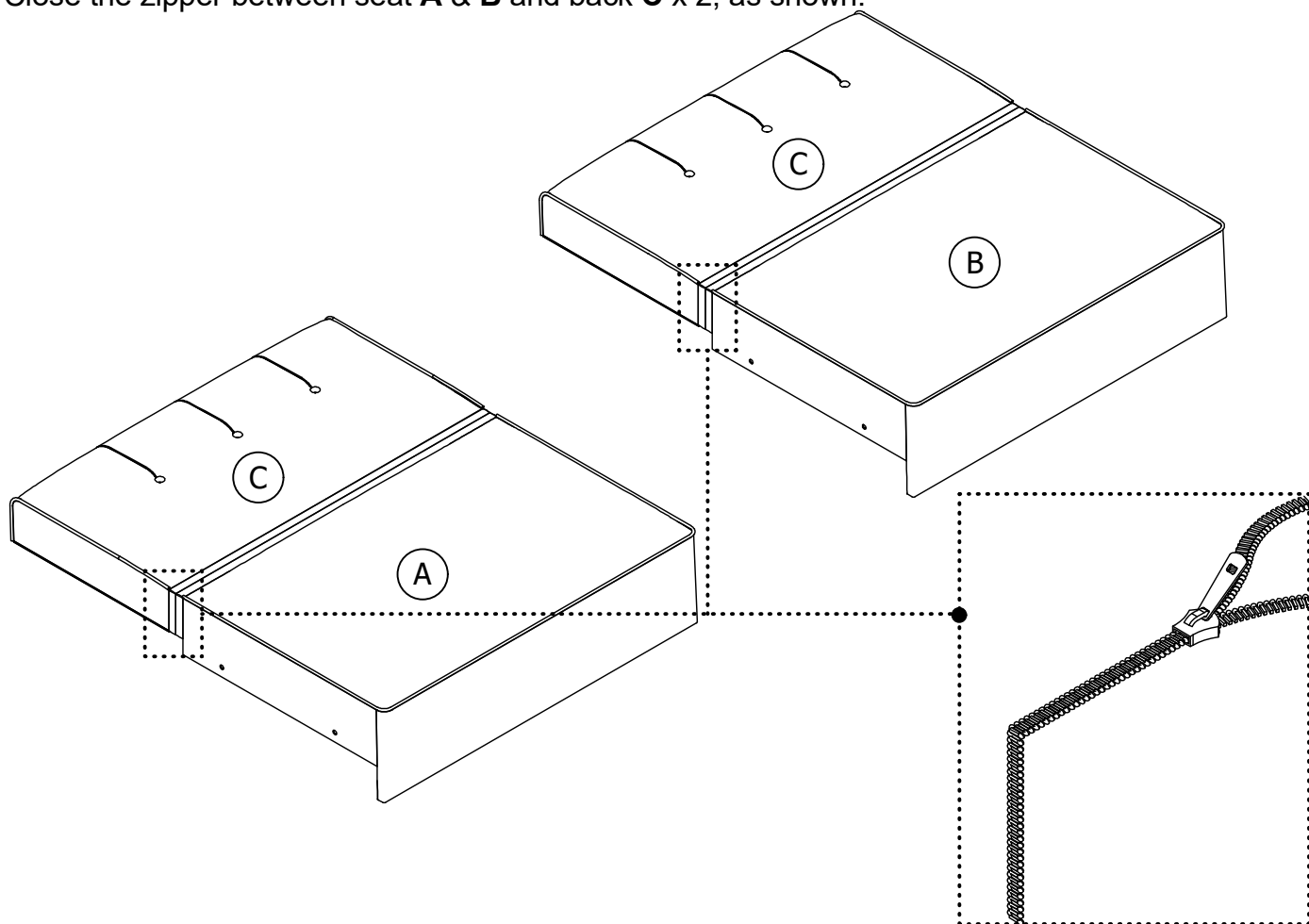
STEP 4:

Stick the hook and loop fastener at both sides of seat, as shown.



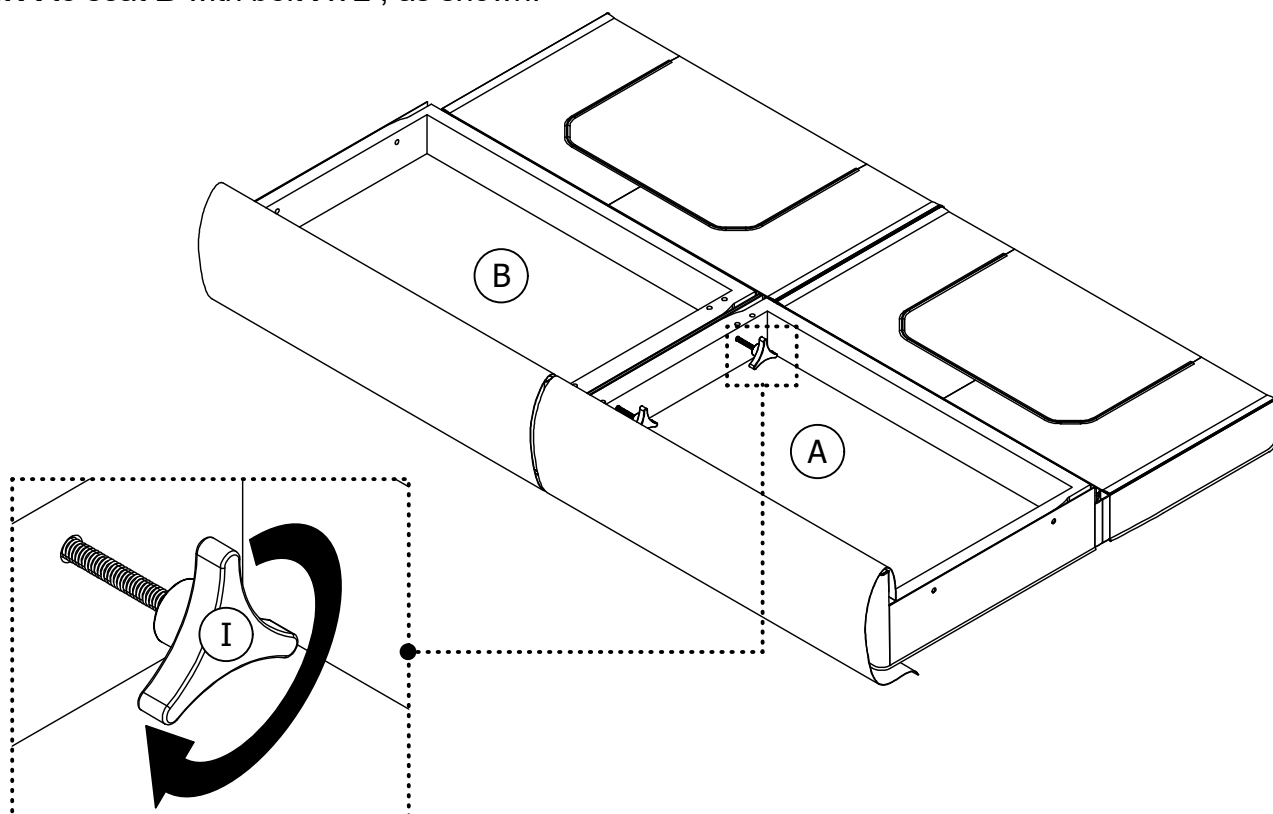
STEP 5:

Close the zipper between seat **A** & **B** and back **C** x 2, as shown.



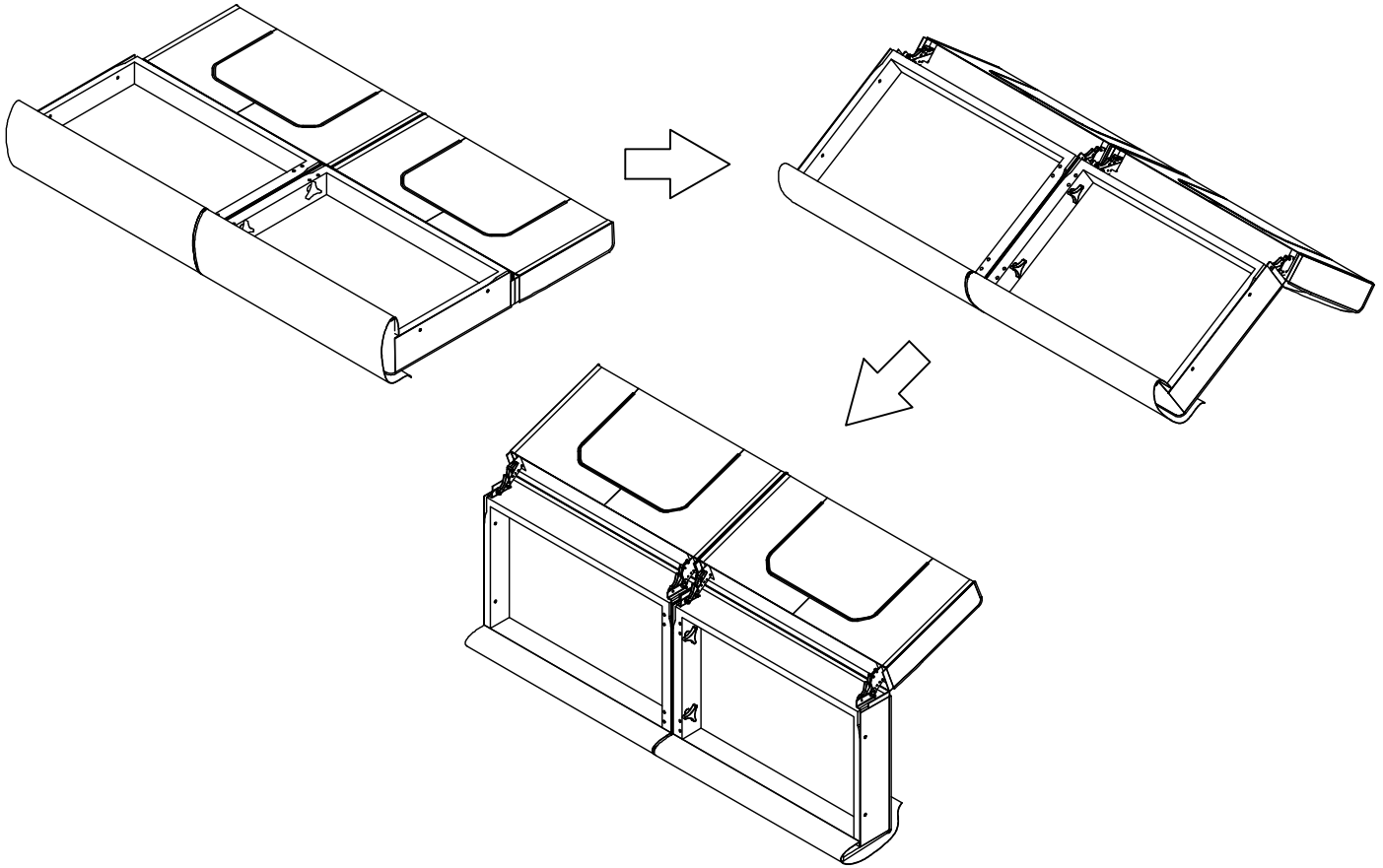
STEP 6:

Attach seat **A** to seat **B** with bolt **I** x 2, as shown.



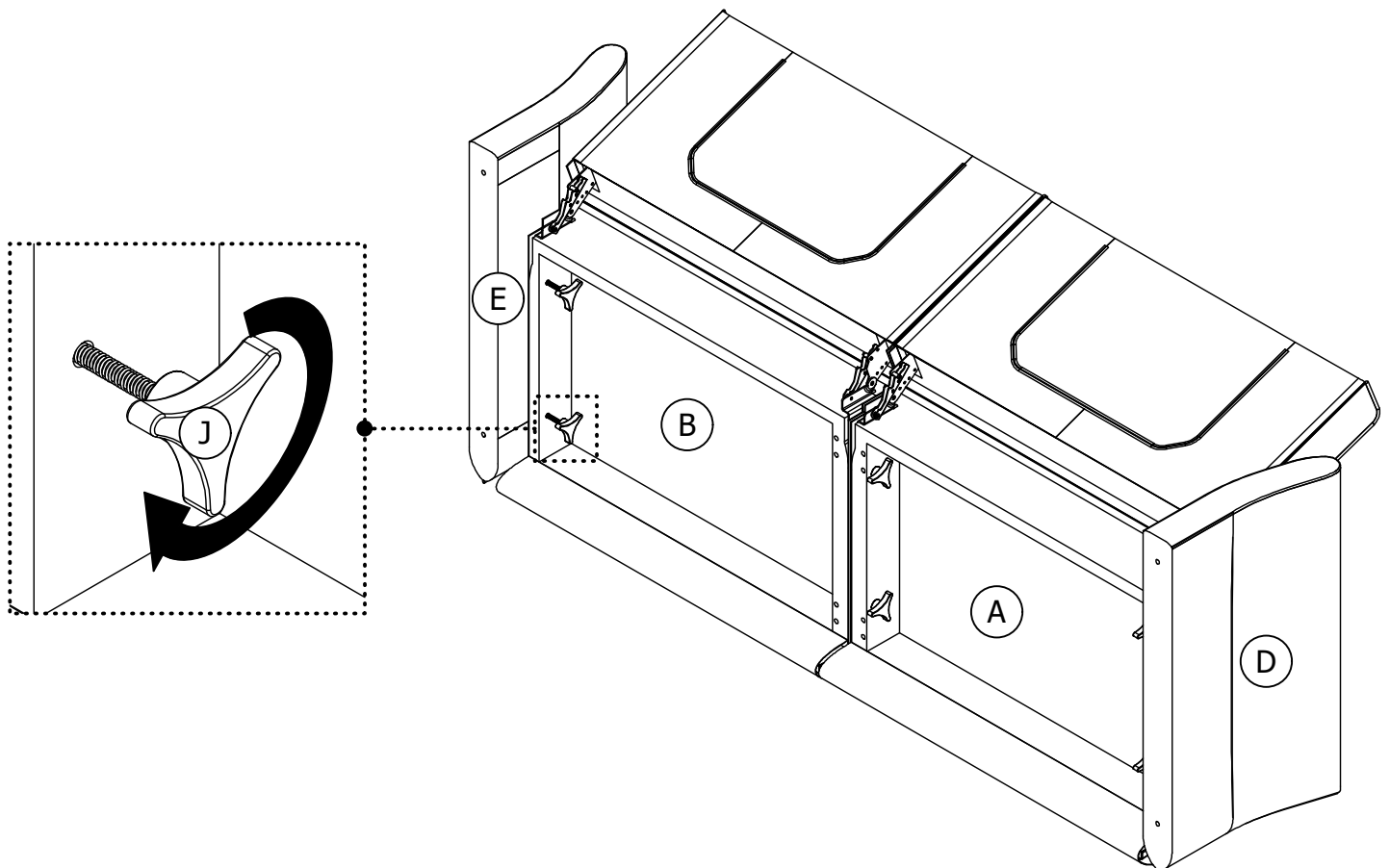
STEP 6:

Turn the sofa, as shown.



STEP 7:

Attach arms **D** & **E** to seat **A** & **B** with bolt **J** x 4, as shown.

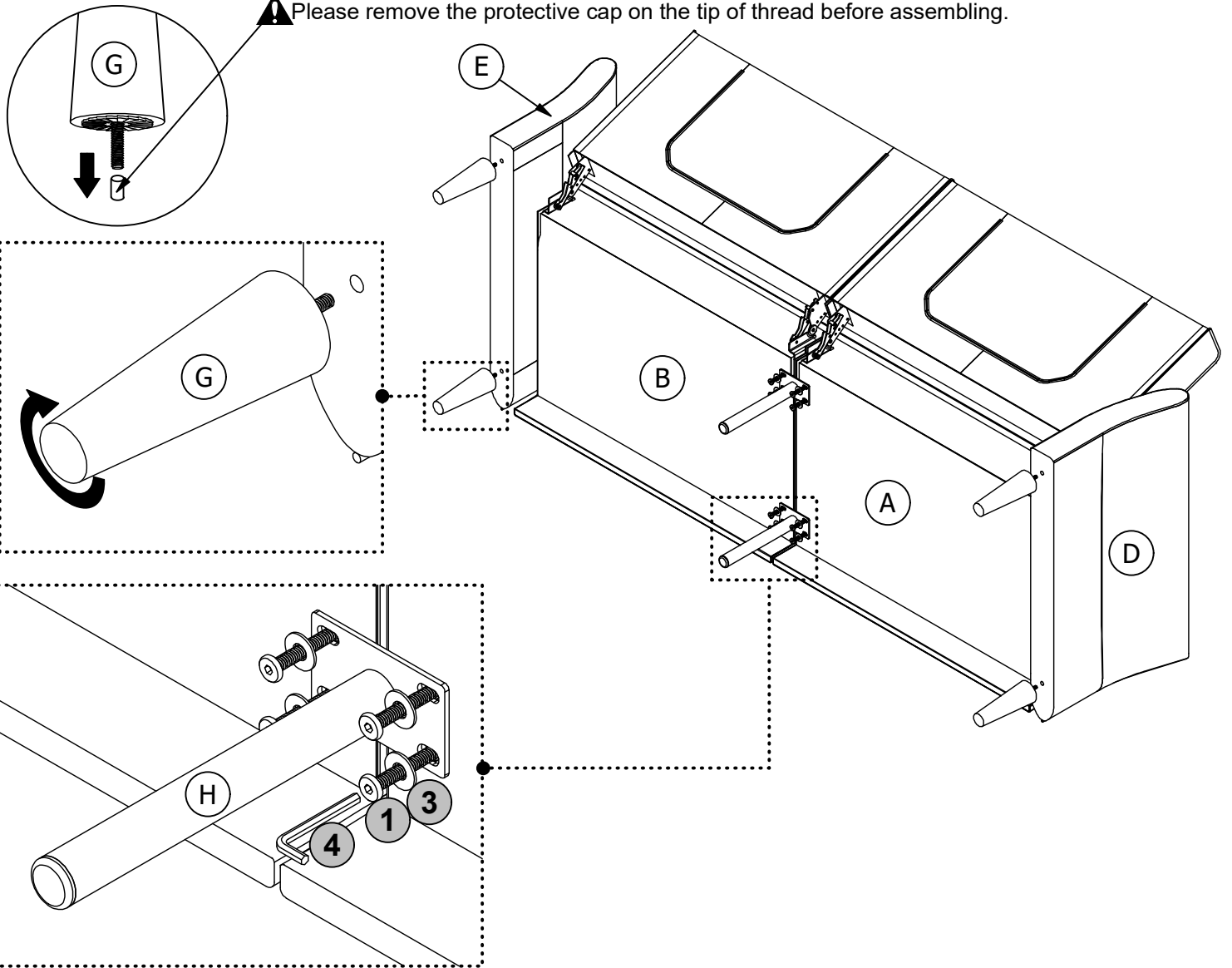


STEP 8:

8.1 Manually screw leg **G** x 4 to arms **D** & **E**.

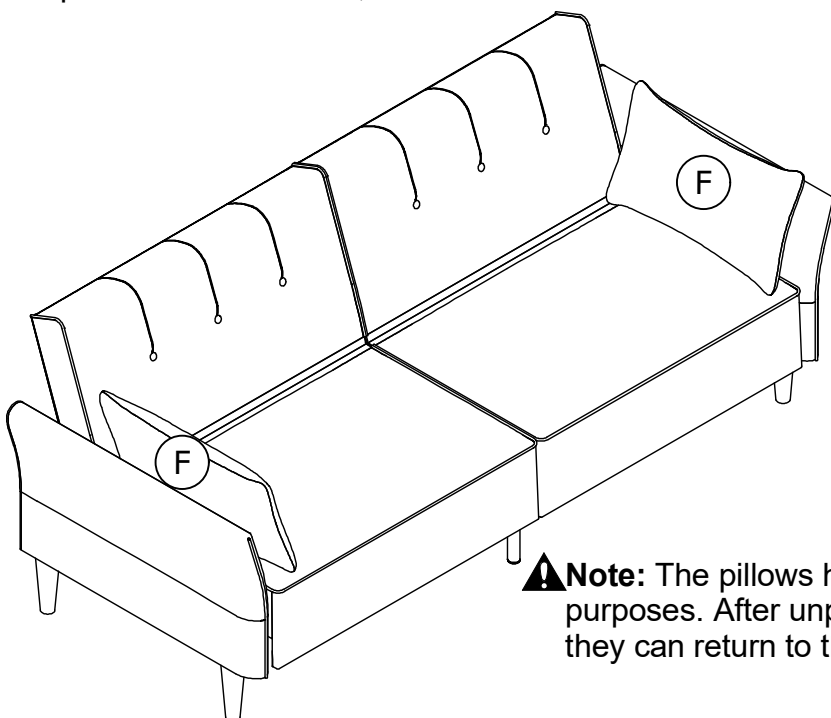
8.2 Attach middle leg **H** x 2 to seat **A** & **B** with bolts **1**, and flat washers **3**, as shown.

⚠ Please remove the protective cap on the tip of thread before assembling.



STEP 9:

Put pillow **F** x 2 onto sofa, as shown.



⚠ **Note:** The pillows have been vacuum packed for transportation purposes. After unpacking, please allow up to 72 hours so that they can return to their original shape.

Helpful Hints

- Your futon can transform between a Sofa and a Bed.
- Move your new furniture carefully, with two people lifting and carrying the unit to its new location.
- Your furniture can be disassembled and reassembled to move.
- Clean the product with a soft damp cloth. DO NOT use harsh chemicals or abrasive cleaners.
- For further information please contact at sales4@jsanyee.com

⚠ When you want it to be a bed, be sure to open the support leg on the backrest.

Fix the back seal to the back frame with the hook and loop fastener. **⚠**

