

---

**NOTE:**

This brochure contains IMPORTANT safety info. Please read and keep for future reference.

---

# MAINTAINANCE AND WARNING

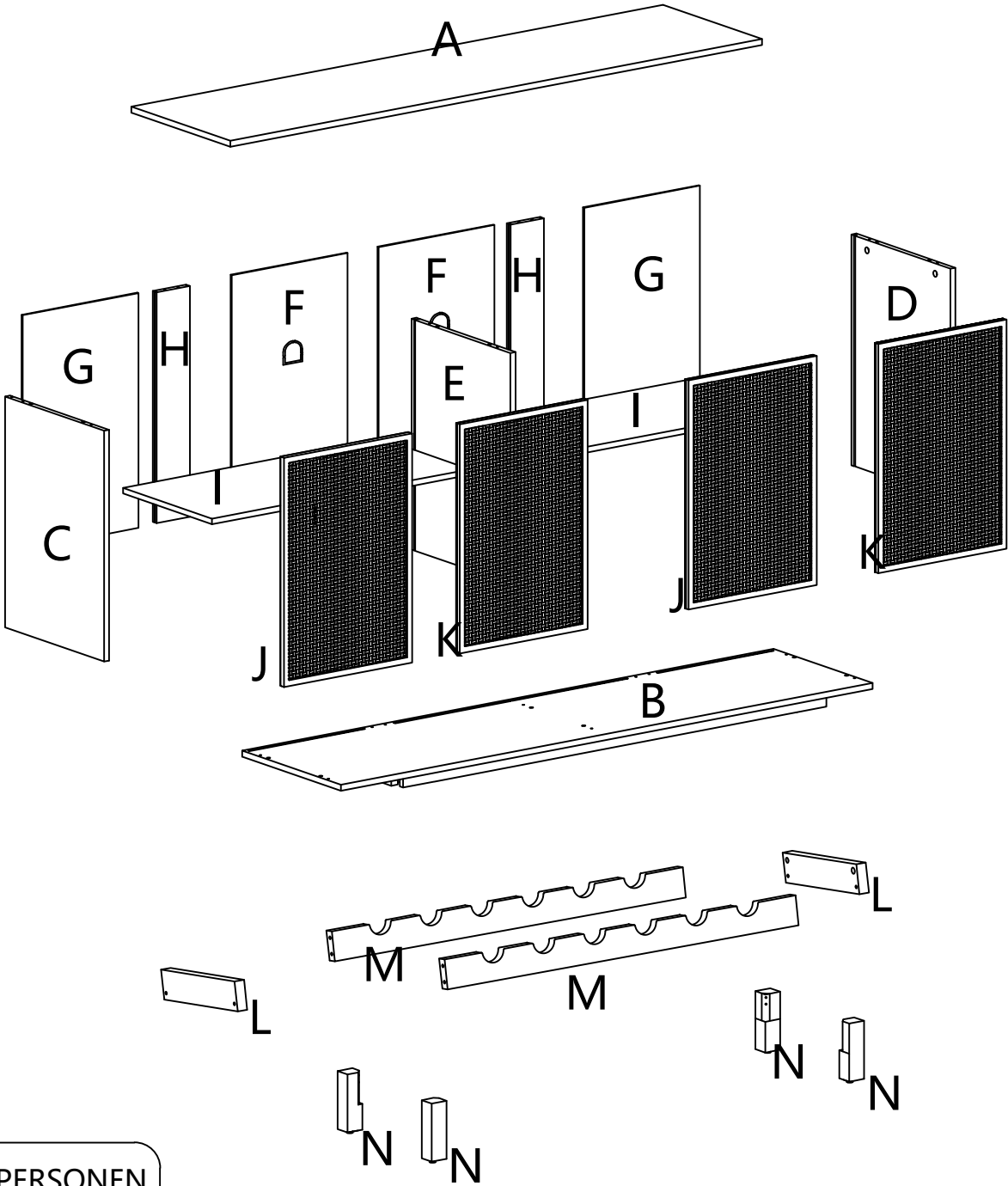
- 1.Keep furniture away from heat sources.
- 2.Do not clean furniture with harsh cleaner or polishes.Do not use detergents,solvents,abrasives,spray packs or leather cleaner. Use non-color mild soap with warm water to clean spills(Mix 1:10 soap to water).
- 3.Do not place furniture under direct sunlight,material will possibly fade over time.
- 4.Do not use on site dry cleaning machine.Children should not climb or jump on the furniture.
- 5.Do not write on furniture that is not protectedby a padded barrier.
- 6.Not for commercial use,only for residential use.



Weight Limitation

**150 LBS**




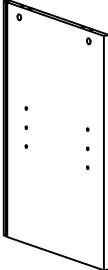
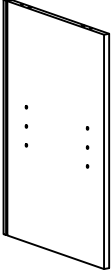
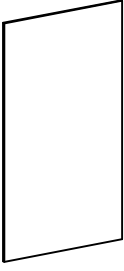
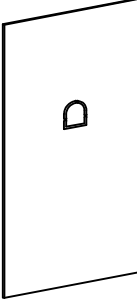

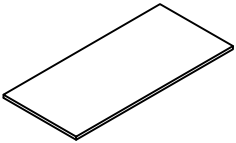
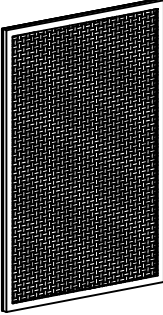
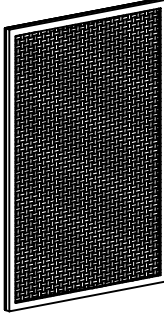
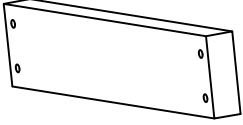

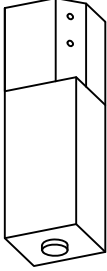
# EXPLOSIVE VIEW



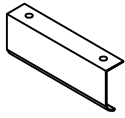
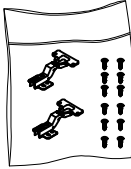
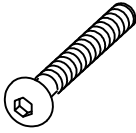
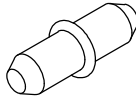
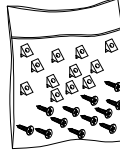
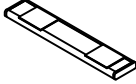
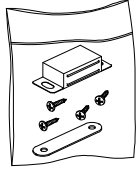
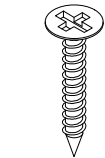

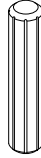

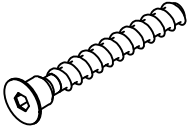


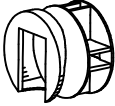


2 PERSONEN

The icon shows two stylized human figures standing side-by-side, representing the number of people required for assembly.

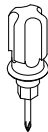
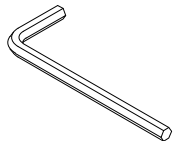
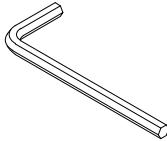
# PARTS LIST

A	x1	B	x1	C	x1	D	x1
							
E	x1	F	x2	G	x2	H	x2
							
I	x2	J	x2	K	x2	L	x2
							
M	x4	N	x4				
							

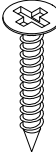
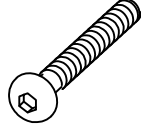
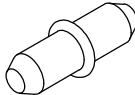
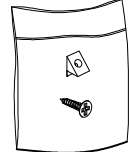

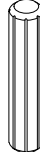
# HARDWARE LIST

#1	x4	#2	x4	#3	x8	#4	x8	#5	x1	#6	x2
											
M6*10		M6*20		M8*50							
#7	x8	#8	x20	#9	x14	#10	x16	#11	x14	#12	x10
											
		M3*14									
#13	x2	#14	x2	#15	x14	#16	x8	#17	x8		
											


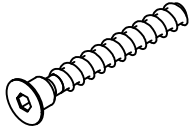
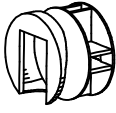


# TOOL LIST

#18	x1	#19	x1	#20	x1
					
		M8		M6	

# HARDWARE SPARE LIST

#8	x3	#3	x1	#4	x1	#5	x1	#9	x1	#10	x1
											
M3*14		M8*50									

# HARDWARE SPARE LIST

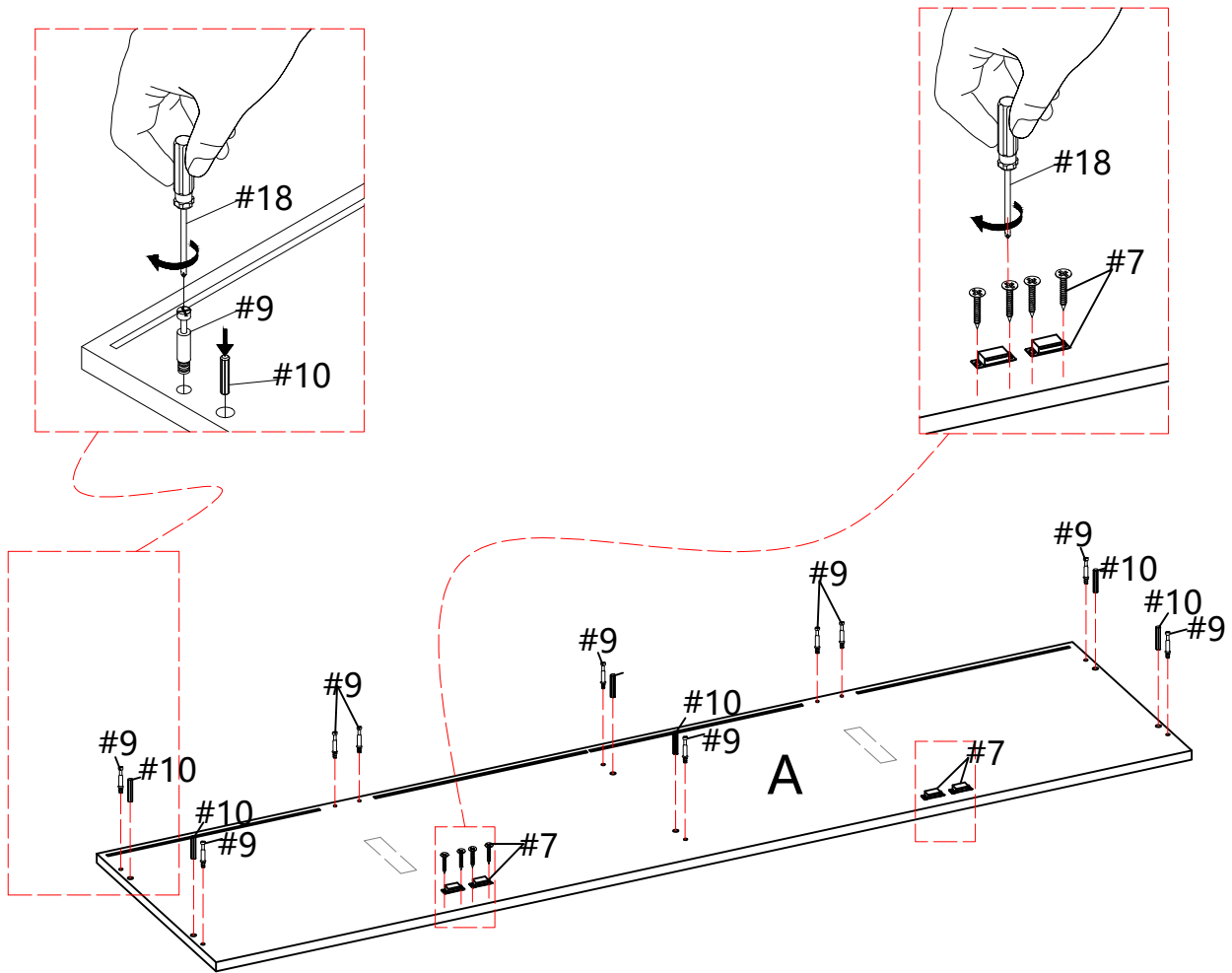
#11	x1	#12	x1	#15	x1	#16	x1	#17	x1
									

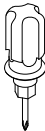
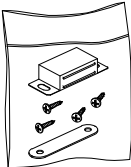


# ASSEMBLY INSTRUCTIONS

## STEP-1

Prepare for part A. Align the holes in part A, insert wooden dowel #10 by hand, tighten with screwdriver #18 tighten #9.

Use bolt #7 to attach Magnetic device #7 to top panel (A) , tighten bolts with screwdriver #18.

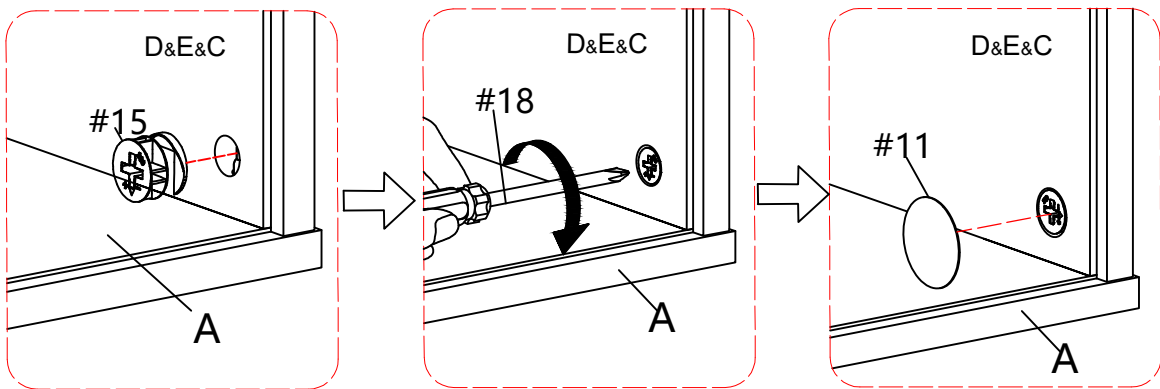
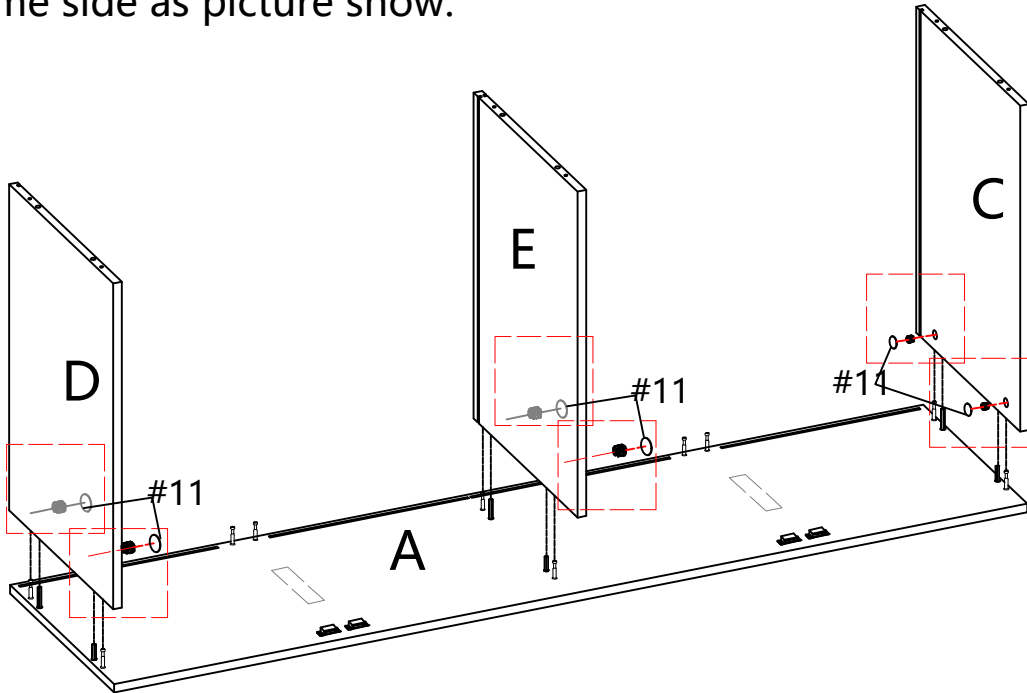


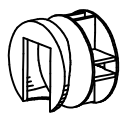


#18	x1	#7	x4	#9	x10	#10	x6
							

# ASSEMBLY INSTRUCTIONS

## STEP-2

Connect the part A with part C&D&E. align the hole in the part C&D&E ,insert the bolt #9 and wooden dowel #10 in part A into part C&D&E. insert cam bolt #15 into the corresponding hole of side panel C&D&E,and tighten the nuts #15 with a screwdriver #18. After installation, cover the screw holes with #11. Make sure the groove is in same side as picture show.

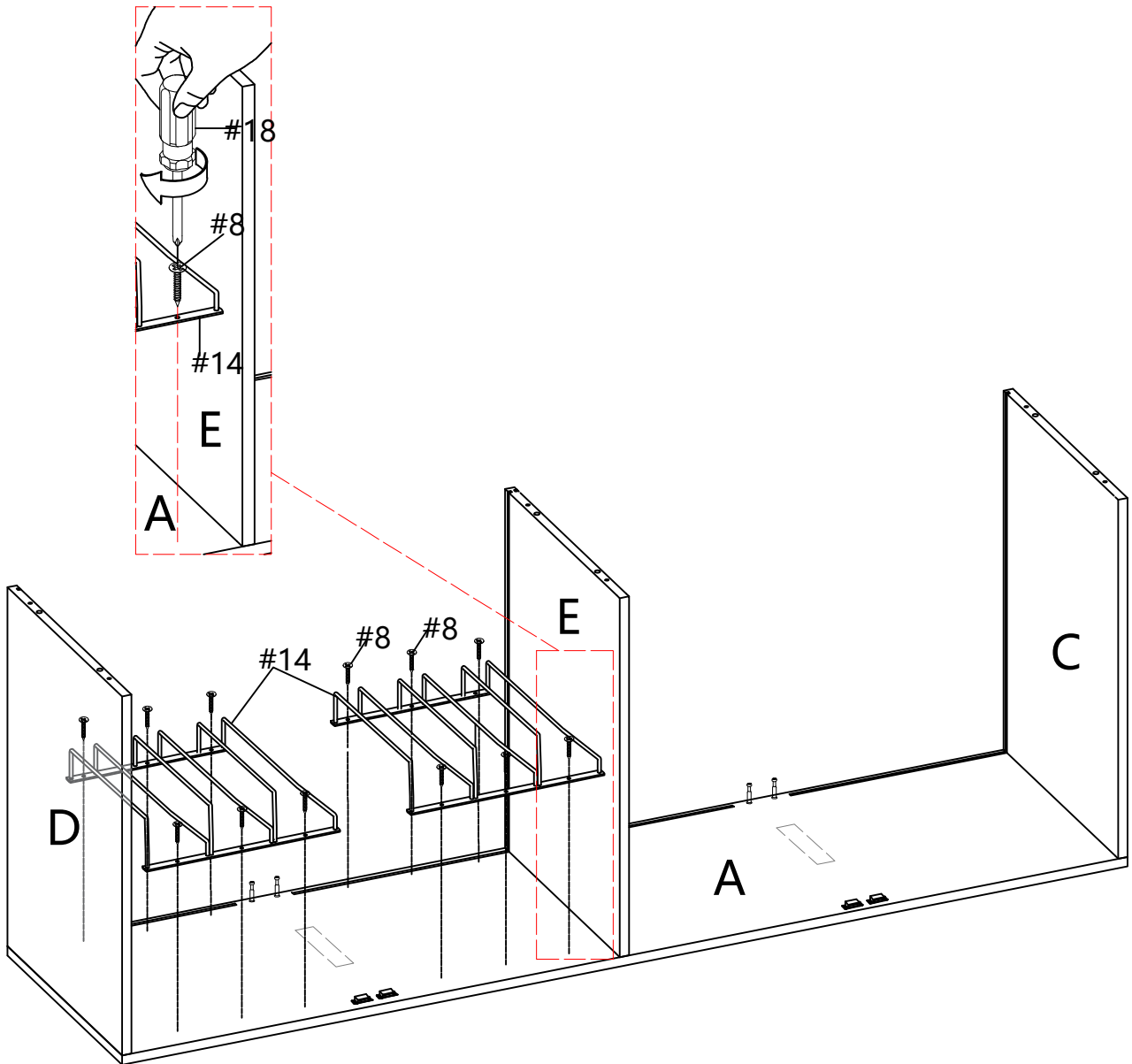




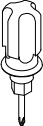
#15	x6	#11	x6	#18	x1
					
Ø8x30mm		Ø1/4x1"			

# ASSEMBLY INSTRUCTIONS

## STEP-3

Use screw #8 to attach the wine glass holder #14 to top panel (A), tighten screws #8 with screwdriver #18.

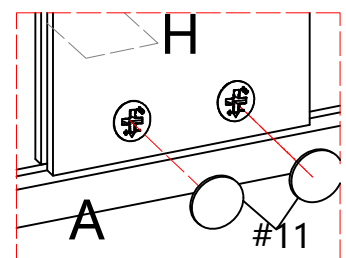
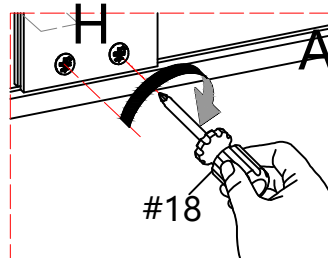
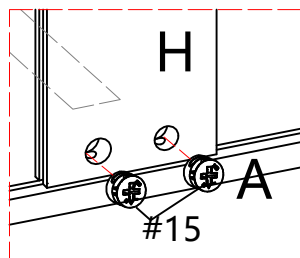
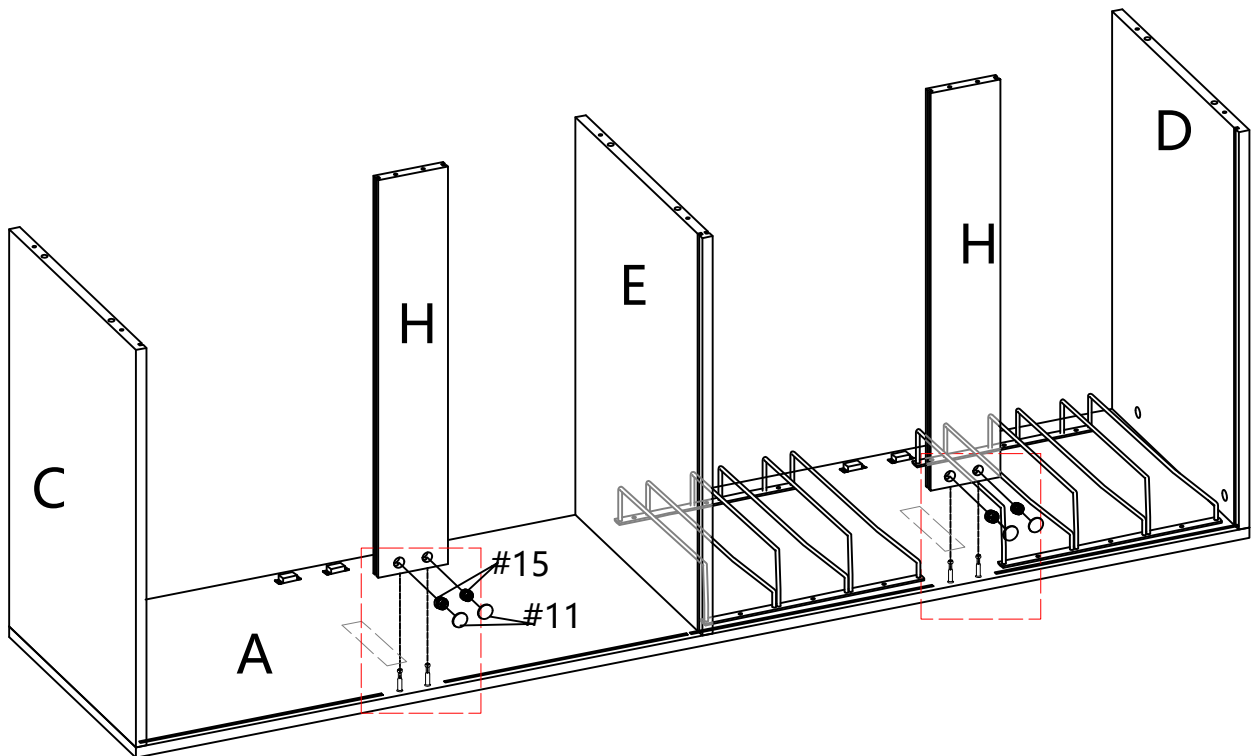


#14	x2	#8	x12	#18	x1
					
		Ø1/4x1"			

# ASSEMBLY INSTRUCTIONS

## STEP-4

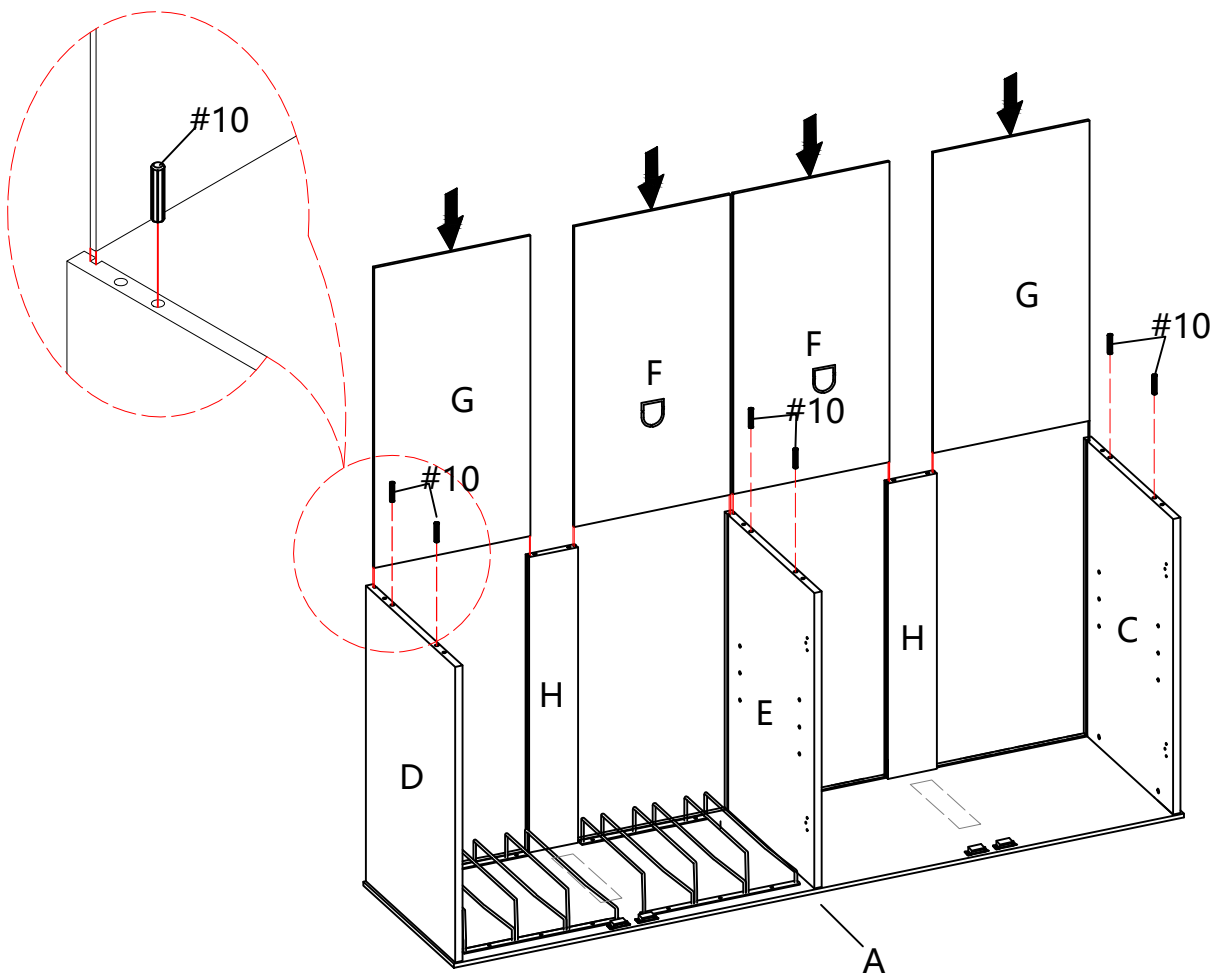
Connect the part A with part H. align the hole in the part H,insert the bolt #9 in part A into part H. insert cam bolt #15 into the corresponding hole of side panel H ,and tighten the nuts #15 with a screwdriver #18. After installation, cover the screw holes with #11. Make sure the groove is in same side as picture show.




#15	x10	#11	x10	#18	x1
Ø8x30mm		Ø1/4x1"			

# ASSEMBLY INSTRUCTIONS

Manually insert #10 wooden dowels (C&D&E), slide in the part F into the groove in part D,H and H,E and E,H and H,C . make sure they are also in groove in part A.

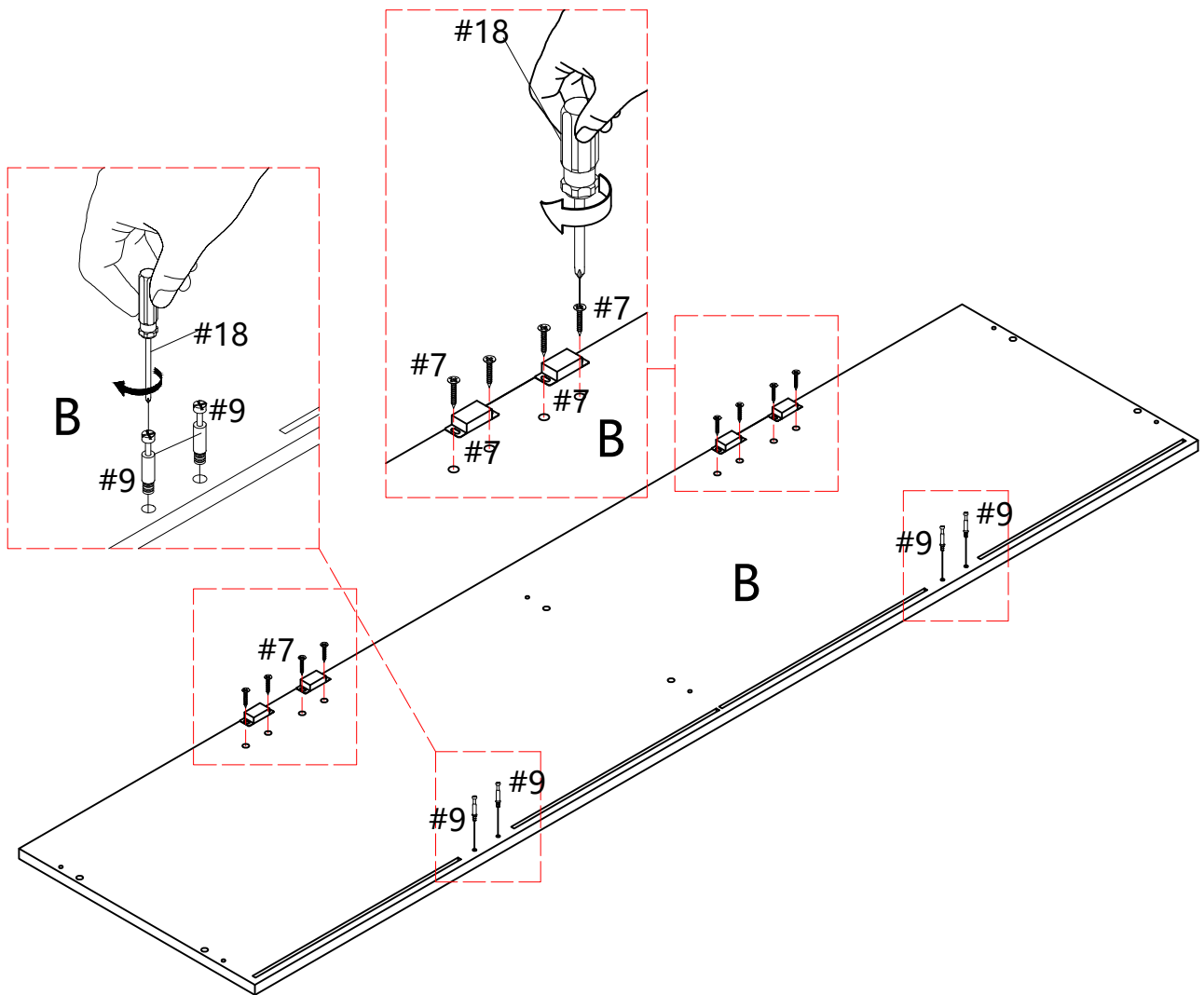


#10	x6
	

# ASSEMBLY INSTRUCTIONS

## STEP-6

Align the holes in part (B) tighten with screwdriver #18 tighten #9. picture shows. Use bolt #7 to attach Magnetic device #7 to bottom panel (B), tighten bolts with screwdriver #18.



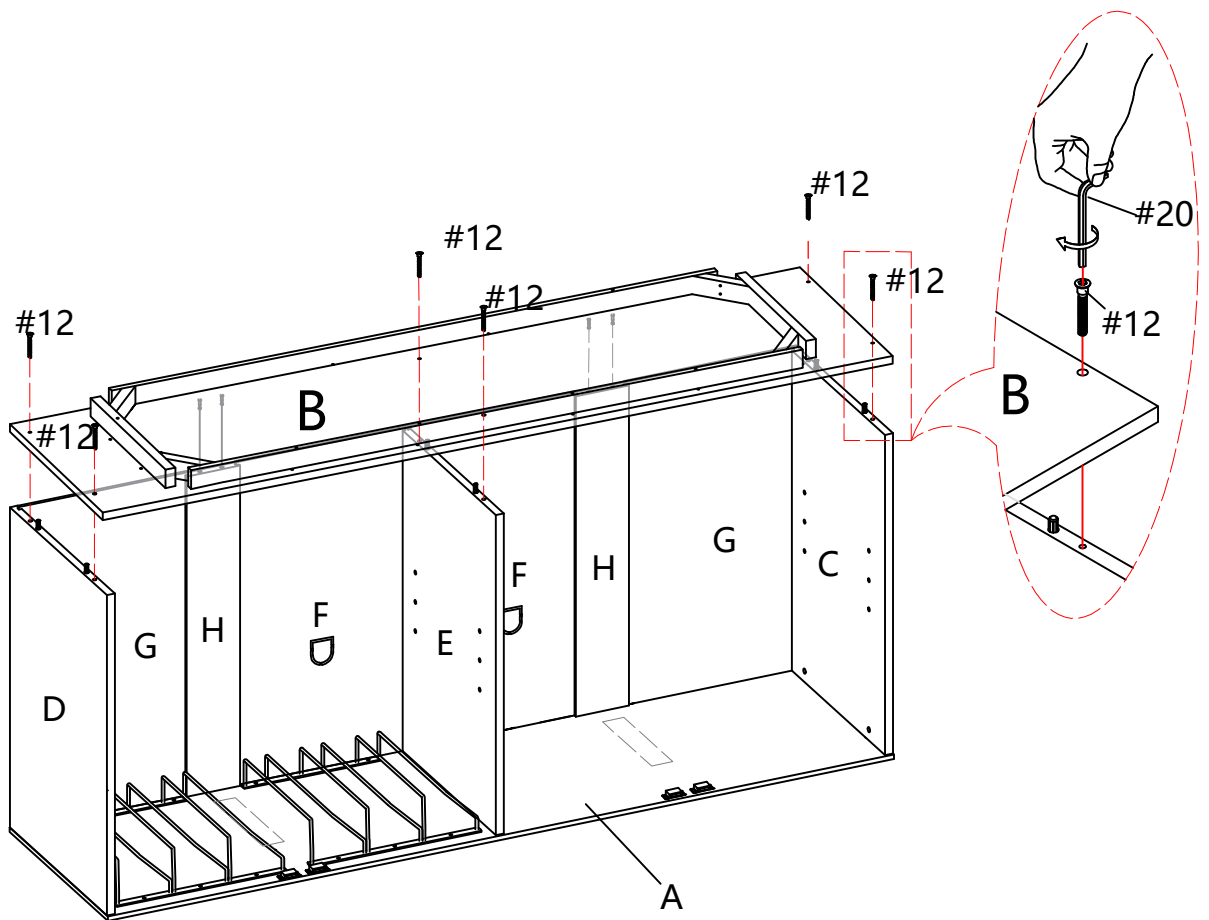
#7	x4	#9	x4	#18	x1
		Ø1/4x1"			


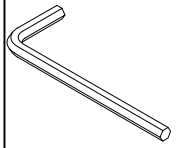
# ASSEMBLY INSTRUCTIONS

## STEP-7

Connect the part B the pre-assembled unit in step 5.

Then align the holes in part B, Insert screw #12 and push it down so that it connects to parts C&D&E&H. Next, and tighten the screw #12 with an Allen key #20.

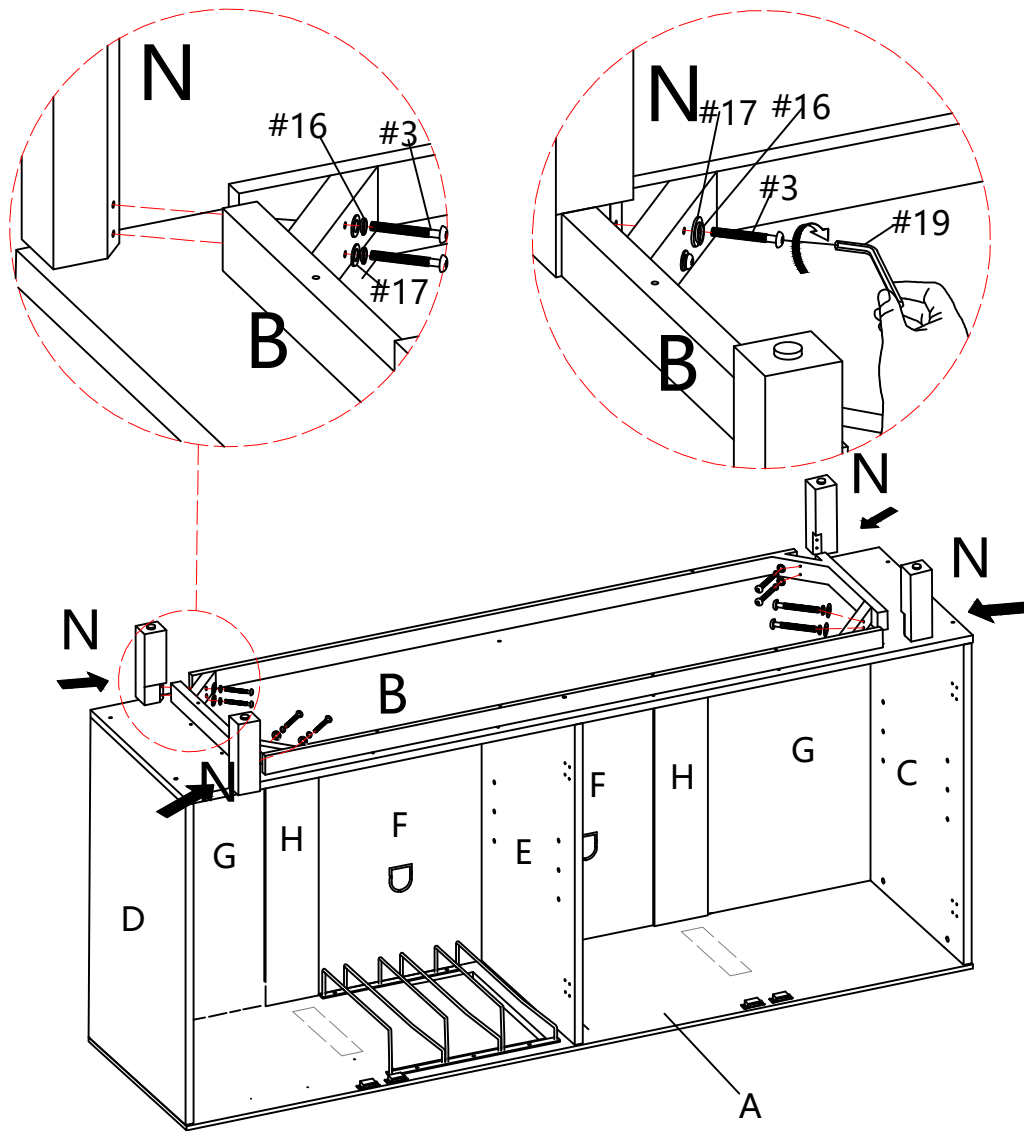





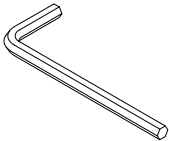
#12	x6	#20	x1
			
Ø1/4x1"		M6	

# ASSEMBLY INSTRUCTIONS

## STEP-8

1. Insert gasket #16 and #17 in sequence into screw #3, install leg (N) on of bottom panel (B), ensure the corresponding holes are aligned and fix with screw #3, then tighten the screw with an Allen key #19.

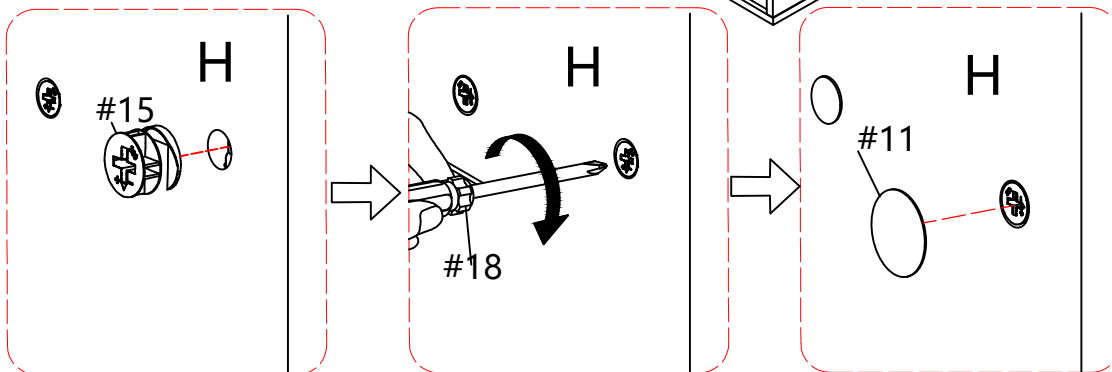
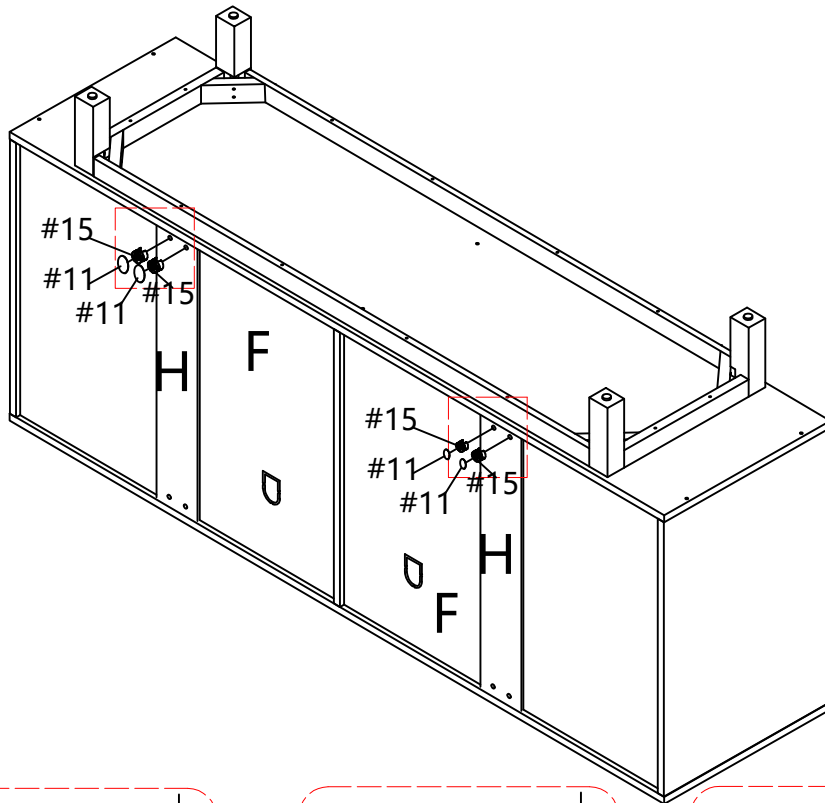


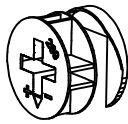
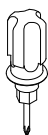

#3	x8	#16	x8	#17	x8	#19	x1
							
Ø8x30mm		Ø8x30mm		Ø1/4x1"		M8	

# ASSEMBLY INSTRUCTIONS

## STEP-9

insert cam bolt #15 into the corresponding hole of side panel H, and tighten the nuts #15 with a screwdriver #18. After installation, cover the screw holes with #11. Make sure the groove is in same side as picture show.

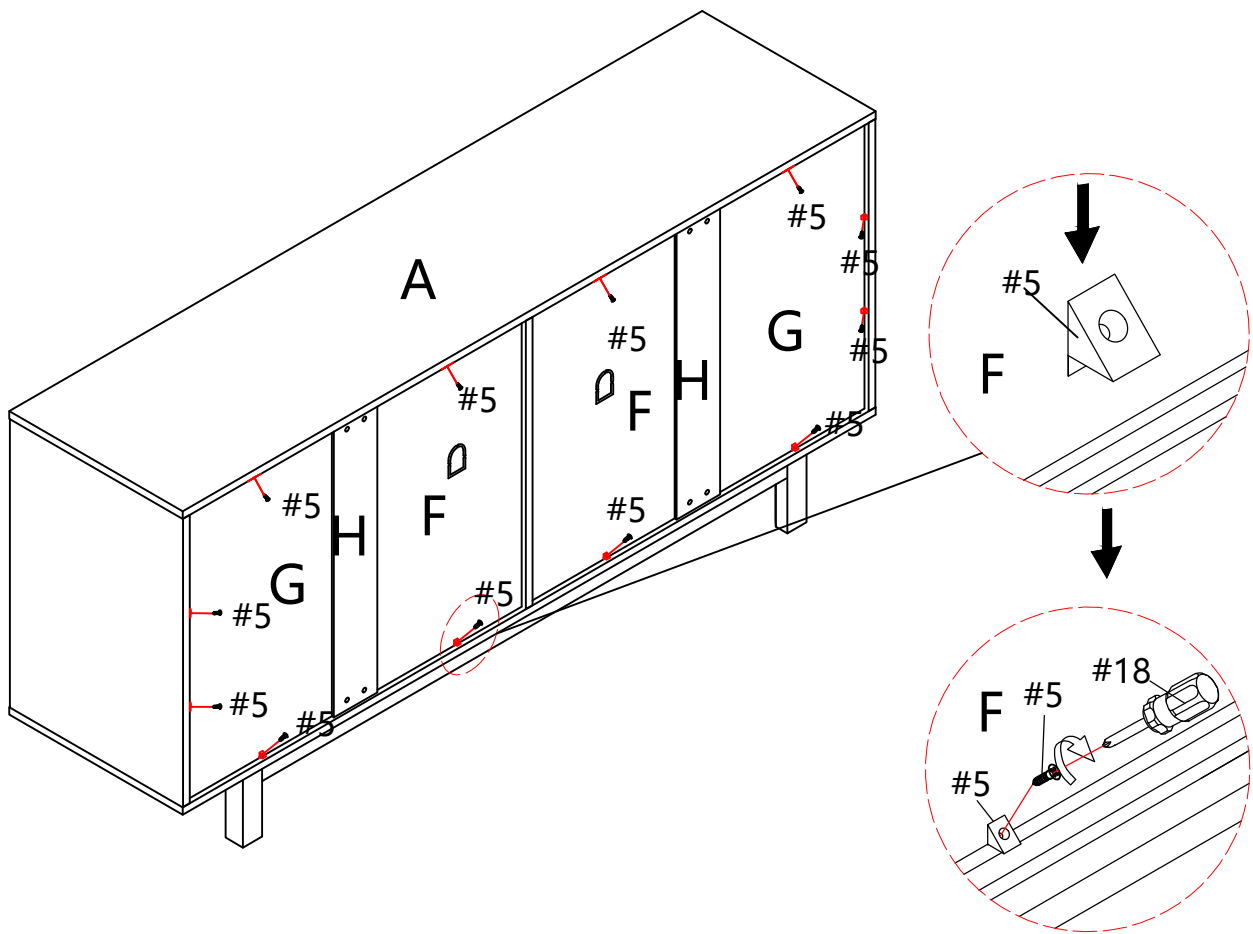



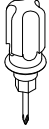
#15	x4	#18	x1	#11	x4
					
Ø8x30mm		Ø1/4x1"			

# ASSEMBLY INSTRUCTIONS

## STEP-10

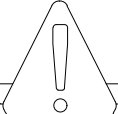
Insert hardware #5 into part (F&G) as shown, screw in screw #5 using screwdriver #18 and tighten fully.



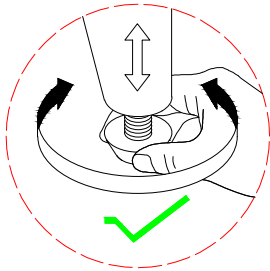
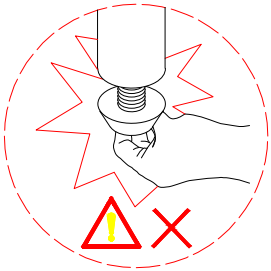
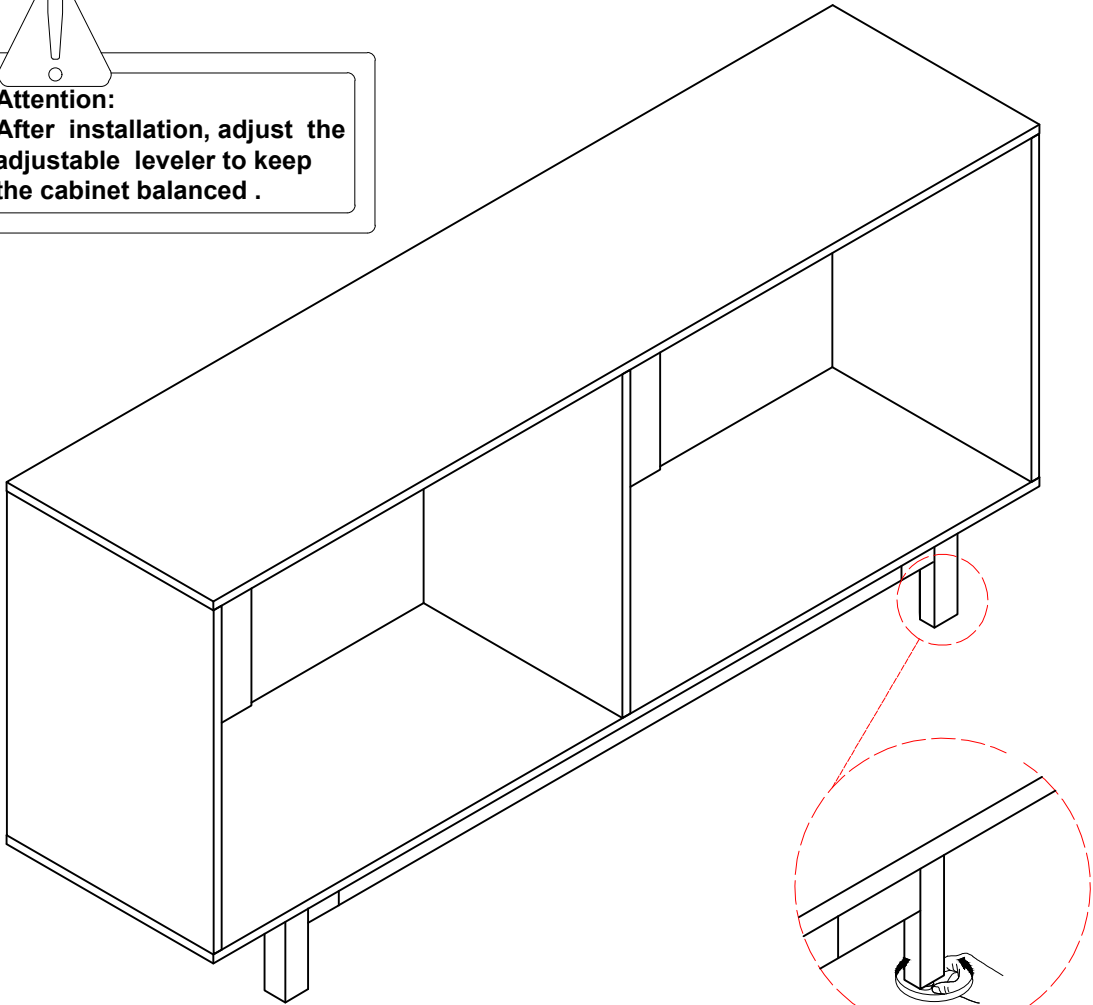
#5	x1	#18	x1
			

# ASSEMBLY INSTRUCTIONS

## STEP-11



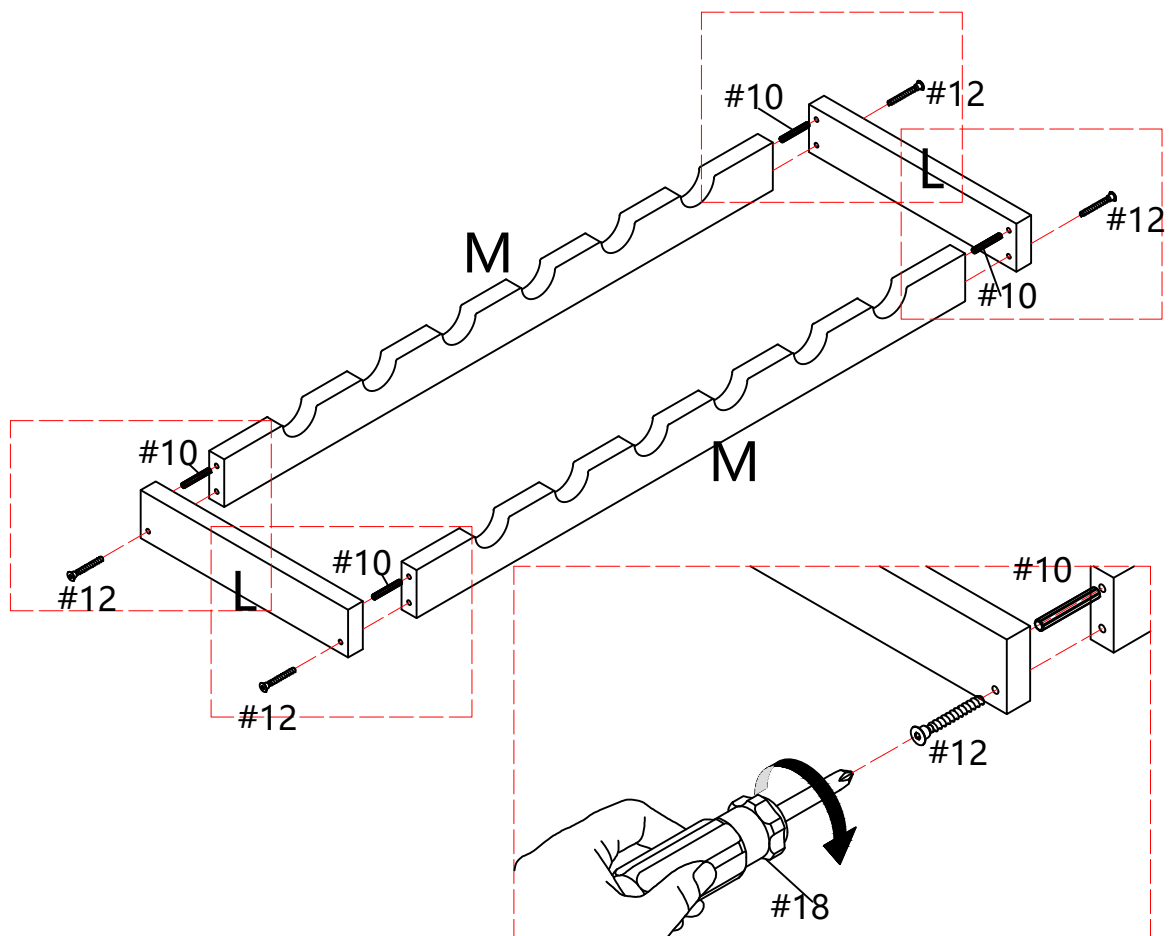
**Attention:**  
After installation, adjust the adjustable leveler to keep the cabinet balanced .

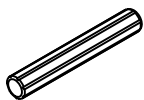
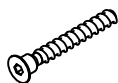
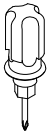


# ASSEMBLY INSTRUCTIONS

## STEP-12

Align the holes of the part L with the holes of the part M, insert wooden dowel #10 by hand and insert the screw #12, and tighten the screw #12 with the allen key #18.

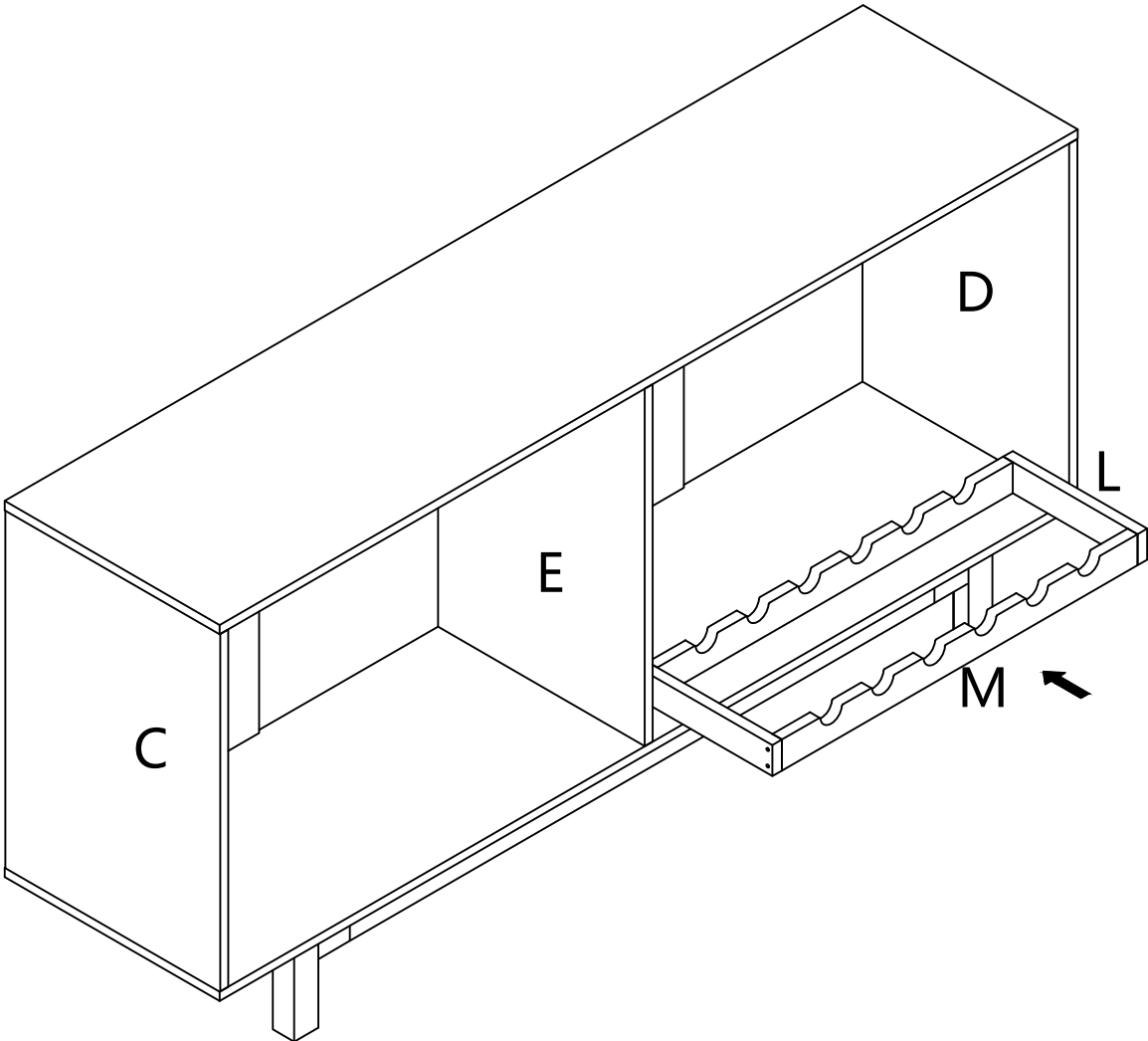


#10	x4	#12	x4	#18	x1
					
Ø8x30mm		Ø1/4x1"			

# ASSEMBLY INSTRUCTIONS

## STEP-13

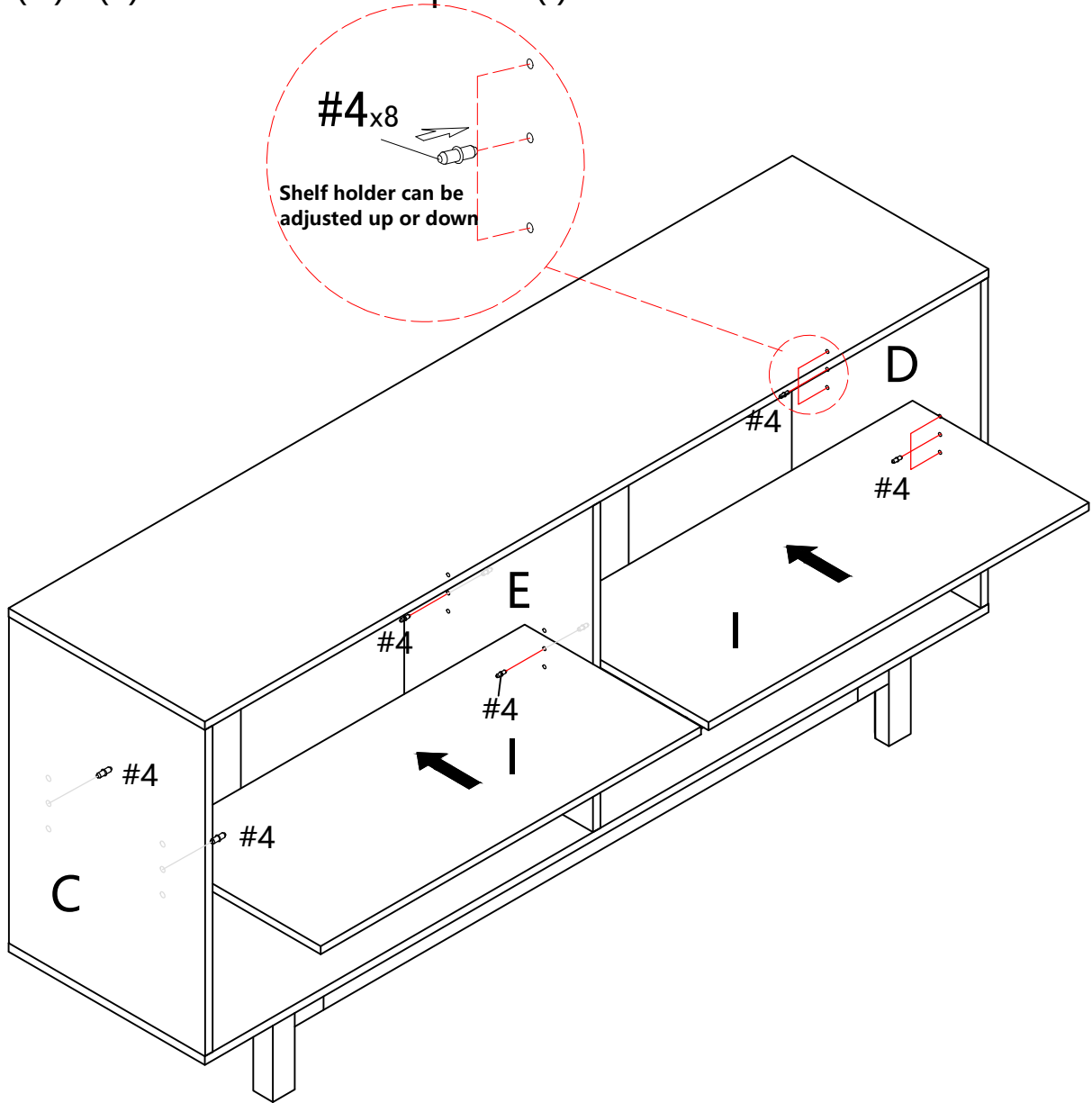
1. Place the wine glass holder in the cabinet.

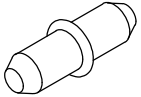


# ASSEMBLY INSTRUCTIONS

## STEP-14

1. Insert shelf holder #4 into the corresponding hole of panel (C)&(D)&(E) and then attach panel (I) to it.

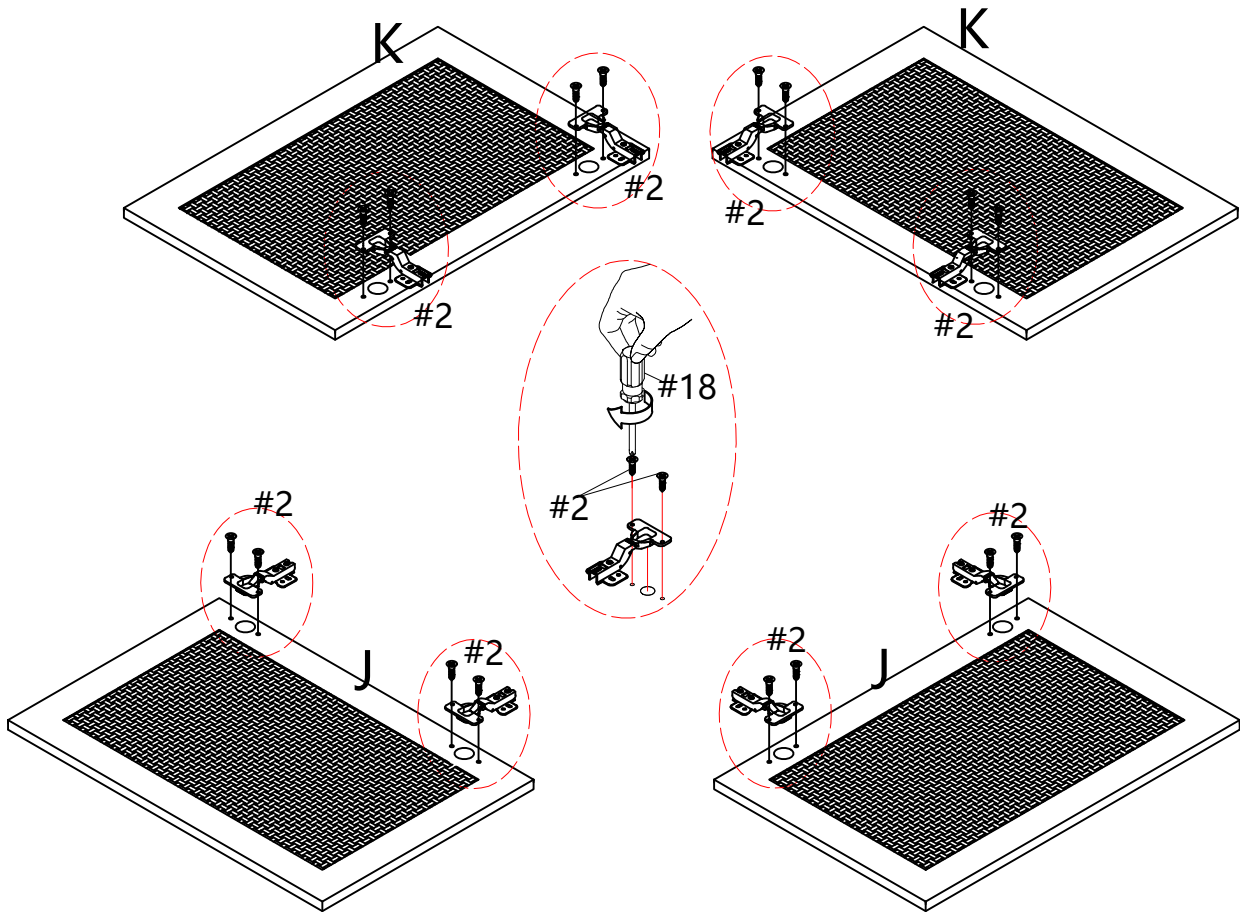


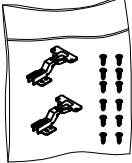
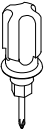
#4	x8
	

# ASSEMBLY INSTRUCTIONS

## STEP-15

1. Use screw #2 to attach hinge #2 to door (K&J) , tighten screw #2 with screwdriver #18.



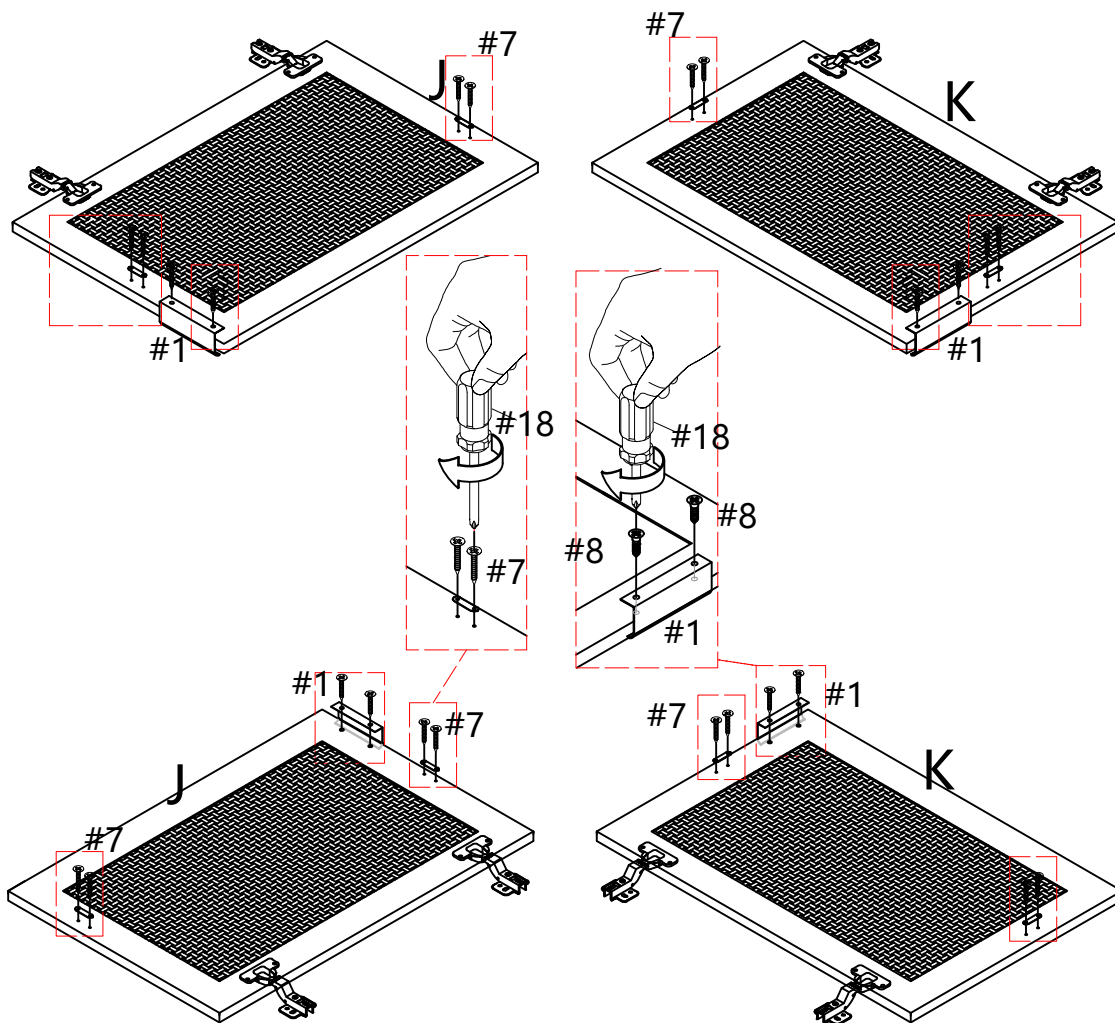
#2	x4	#18	x1
			

# ASSEMBLY INSTRUCTIONS

## STEP-16

Use bolt #8 to attach handle #1 to door panel (K&J), tighten bolts #8 with screwdriver #18.

Use bolt #7 to attach Magnetic iron sheet #7 to door panel (J&K), tighten bolts #7 with screwdriver #18.

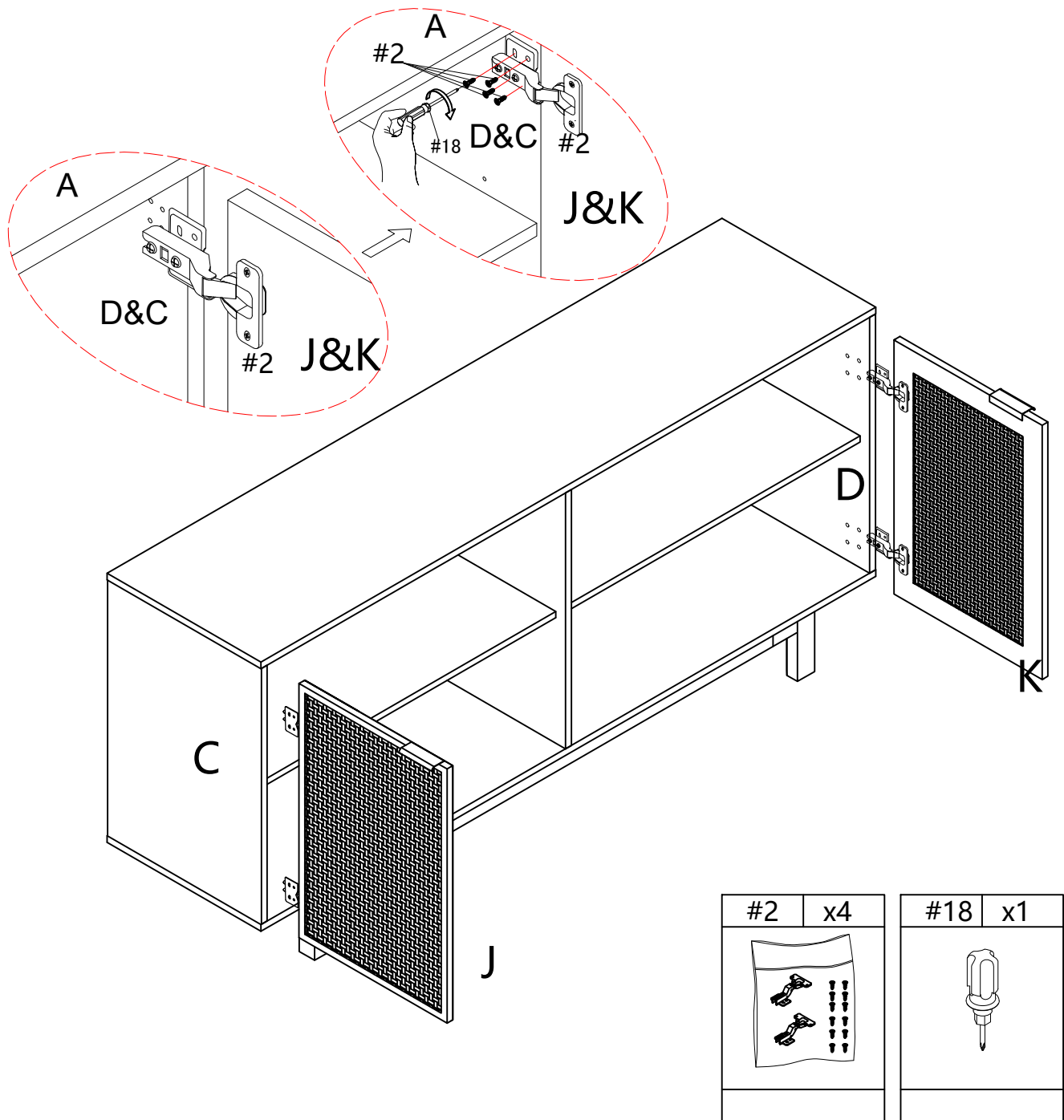


#7	x4	#8	x8	#1	x4	#18	x1
		Ø8x30mm		Ø8x30mm			

# ASSEMBLY INSTRUCTIONS

## STEP-17

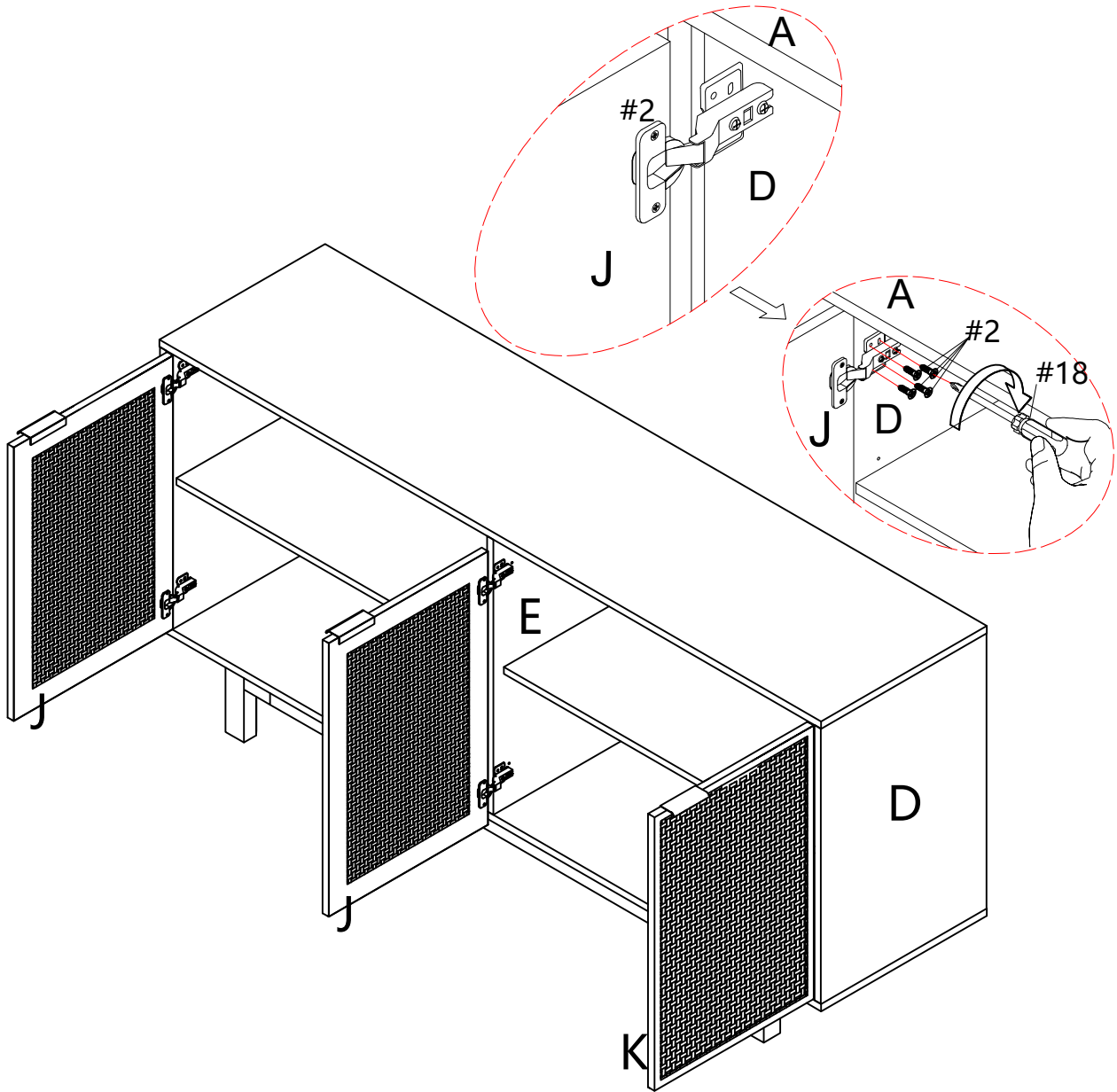
Use screw #2 to attach left door (J) and right door (K) to pre-assemble unit at step 16 ,tighten screw #2 with screwdriver #18 .



# ASSEMBLY INSTRUCTIONS

## STEP-18

Use screw #2 to attach middle door (J) pre-assemble unit at step 17 ,tighten screw #2 with screwdriver #18 .

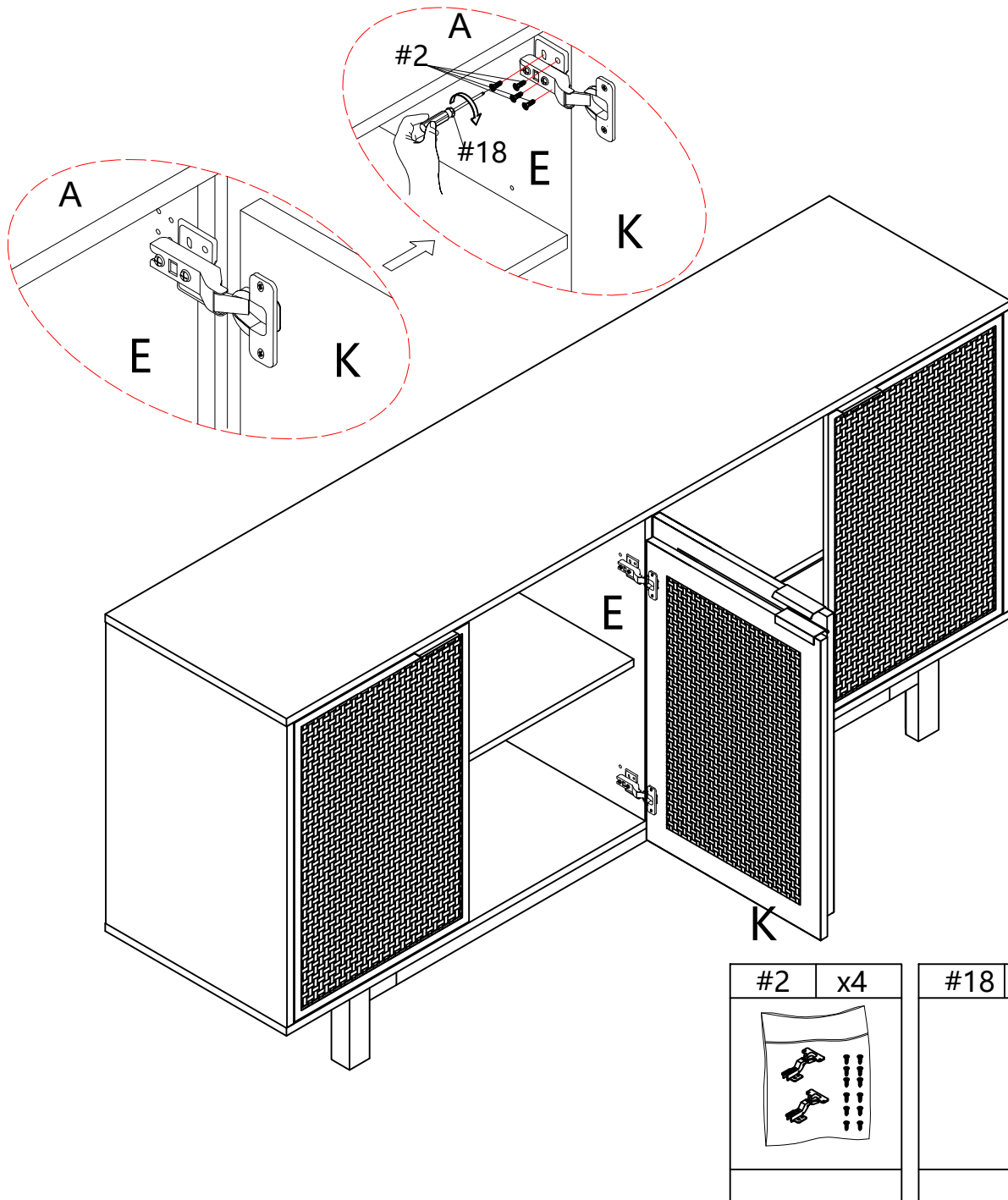


#2	x4	#18	x1

# ASSEMBLY INSTRUCTIONS

## STEP-19

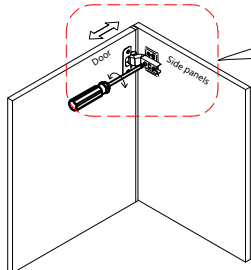
Use screw #2 to attach middle door (K) pre-assemble unit at step 18 ,tighten screw #2 with screwdriver #18 .



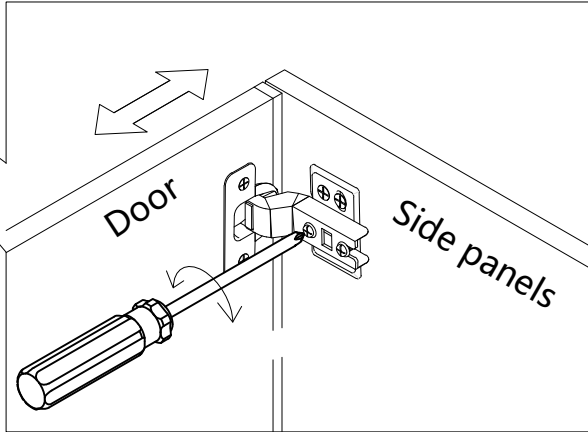
# ASSEMBLY INSTRUCTIONS

## STEP-20

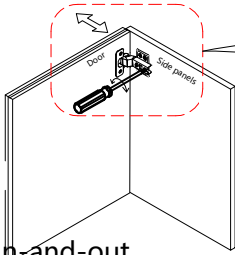
Concealed hinges are three-way adjustable:



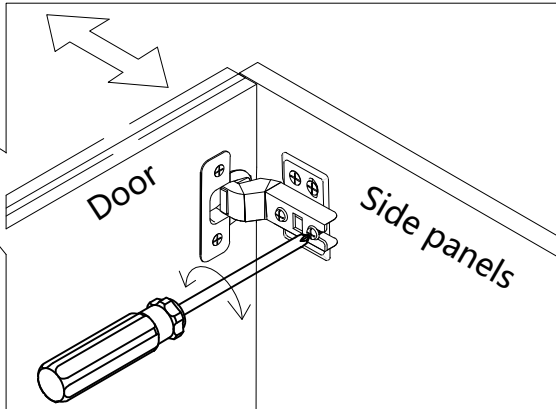
Horizontal  
by screw adjustment!



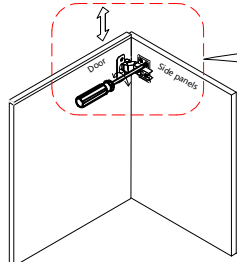
Concealed hinges are three-way adjustable:



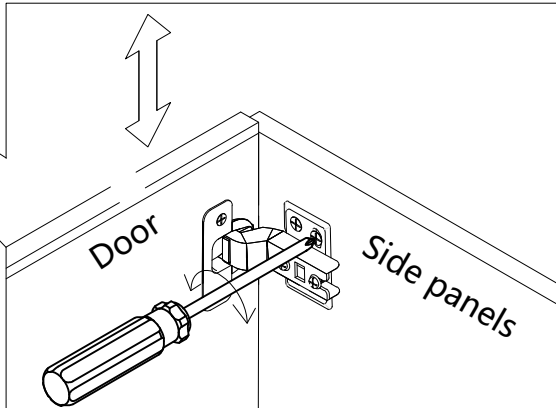
In-and-out  
by loosening the hinge arm  
mounting screw or via cam  
adjustment!



Concealed hinges are three-way adjustable:



Vertical via slots in  
the mounting plate  
or via cam  
adjustment!



## Hinge adjustment method

# ASSEMBLY INSTRUCTIONS

## STEP-21

Key: 

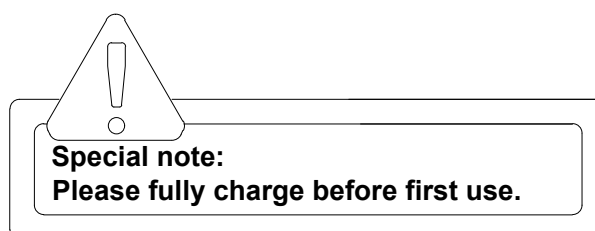
- 1.Short press: Cycle switch white light, warm light, neutral light.
- 2.Long press: When the light is on, press the button to adjust the brightness without releasing it. Release the button to lock the brightness.

Key: 

- 1.The initial state is off.
- 2.Press the first button to enter the steady state. (Induction function does not work in steady on mode and will not be automatically extinguished)
- 3.Press the second button to enter night mode. (The light body flashes three times to prompt, and then enters the night induction mode after the mountain finishes.)
- 4.Press the third button to enter daytime induction mode. (The light body flashes twice as a prompt, and then enters the daytime mode)
- 5.Press the fourth button to return to the closed state and so on.

Human body induction mode special description:

- 1.Set [night] induction mode, under the condition of sufficient light, the lamp will not light up when it senses people, only under the condition of insufficient light and sensing people will automatically light up.
- 2.Set the induction mode [during the day], whether the light is sufficient or not, the lamp will automatically light up when it senses people.
- 3.After people leave the induction area, the lamp will be automatically extinguished in about 25 seconds.
- 4.If the person keeps moving in the sensing area, the light will keep on.

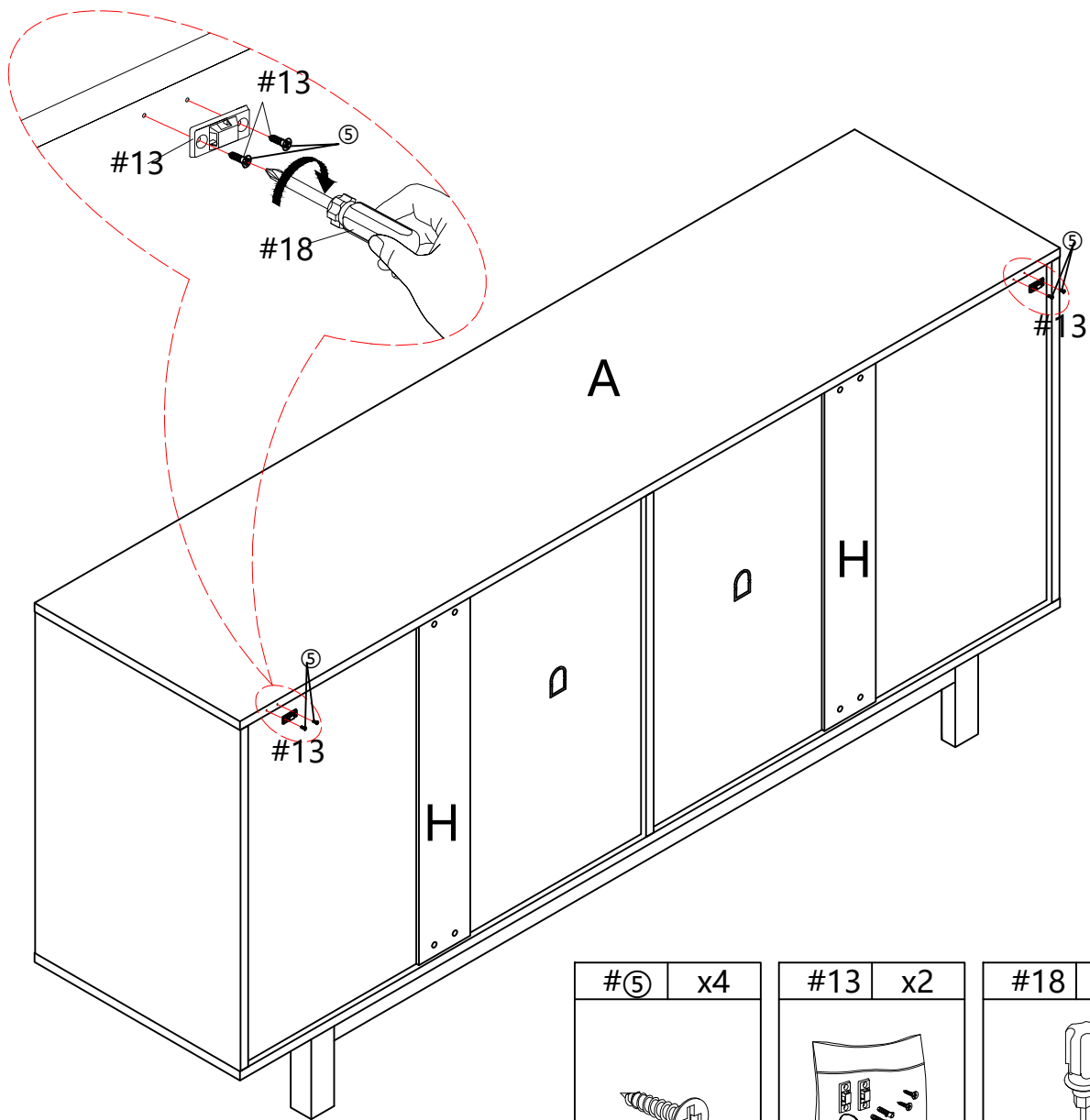


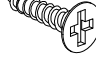




# ASSEMBLY INSTRUCTIONS

## STEP-23

Use nylon packaging #13 Inside screw ⑤ to attach bracket ① to the corresponding hole of top panel(A), tighten screw with screwdriver #18.



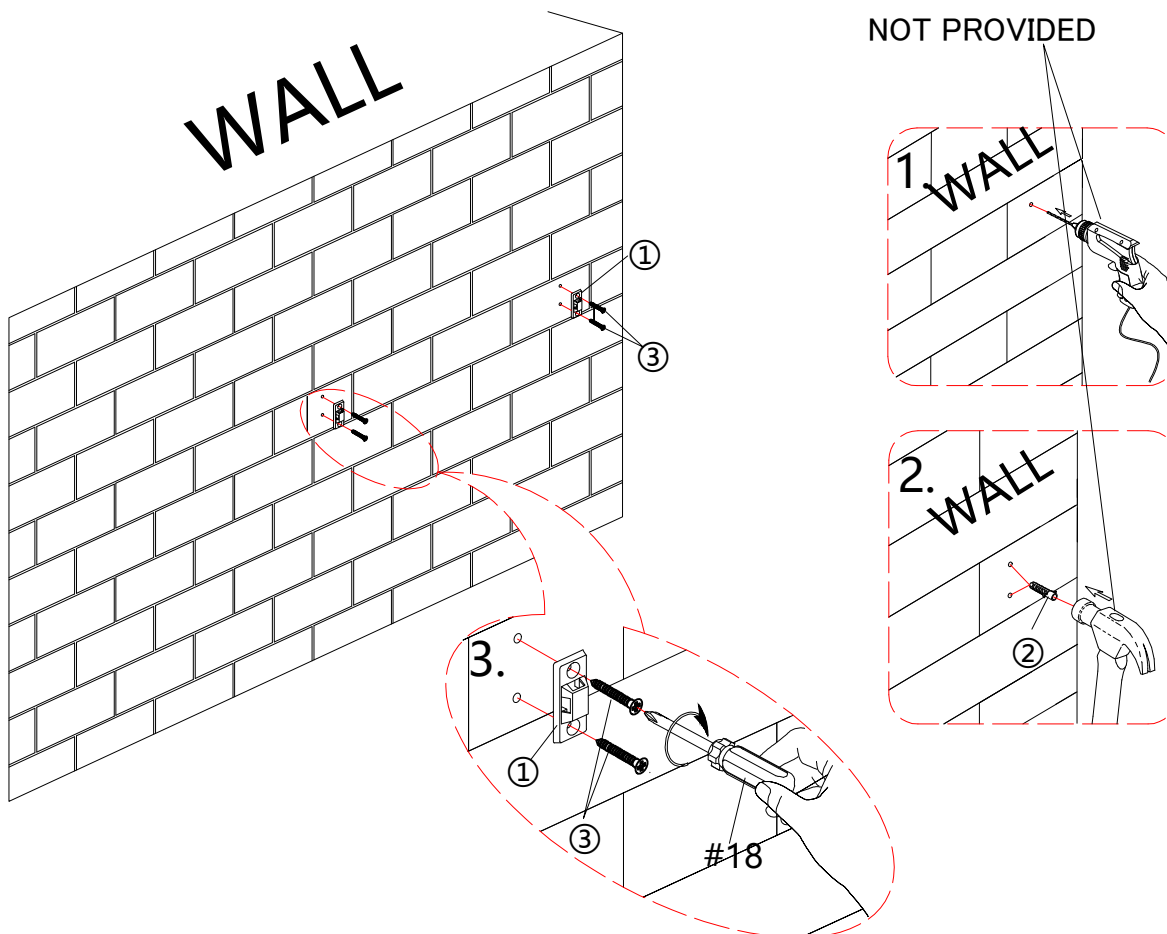
#⑤	x4	#13	x2	#18	x1
					
Ø1/4x1"		Ø1/4x1"			

# ASSEMBLY INSTRUCTIONS

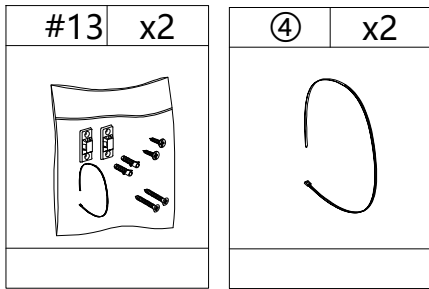
#13	x2	#18	x1	①	x2	②	x4	③	x4

## STEP-24

1. Mark the position on the wall, that corresponds to the location of bracket ① on the back of top panel A; Drill and insert the expandable screw ② by hammer.
2. Assemble the bracket ① to the wall. Align the hole in the bracket ① with the expandable screw ②, use screw ③ to attach it, tighten screw ③ with screwdriver #18.

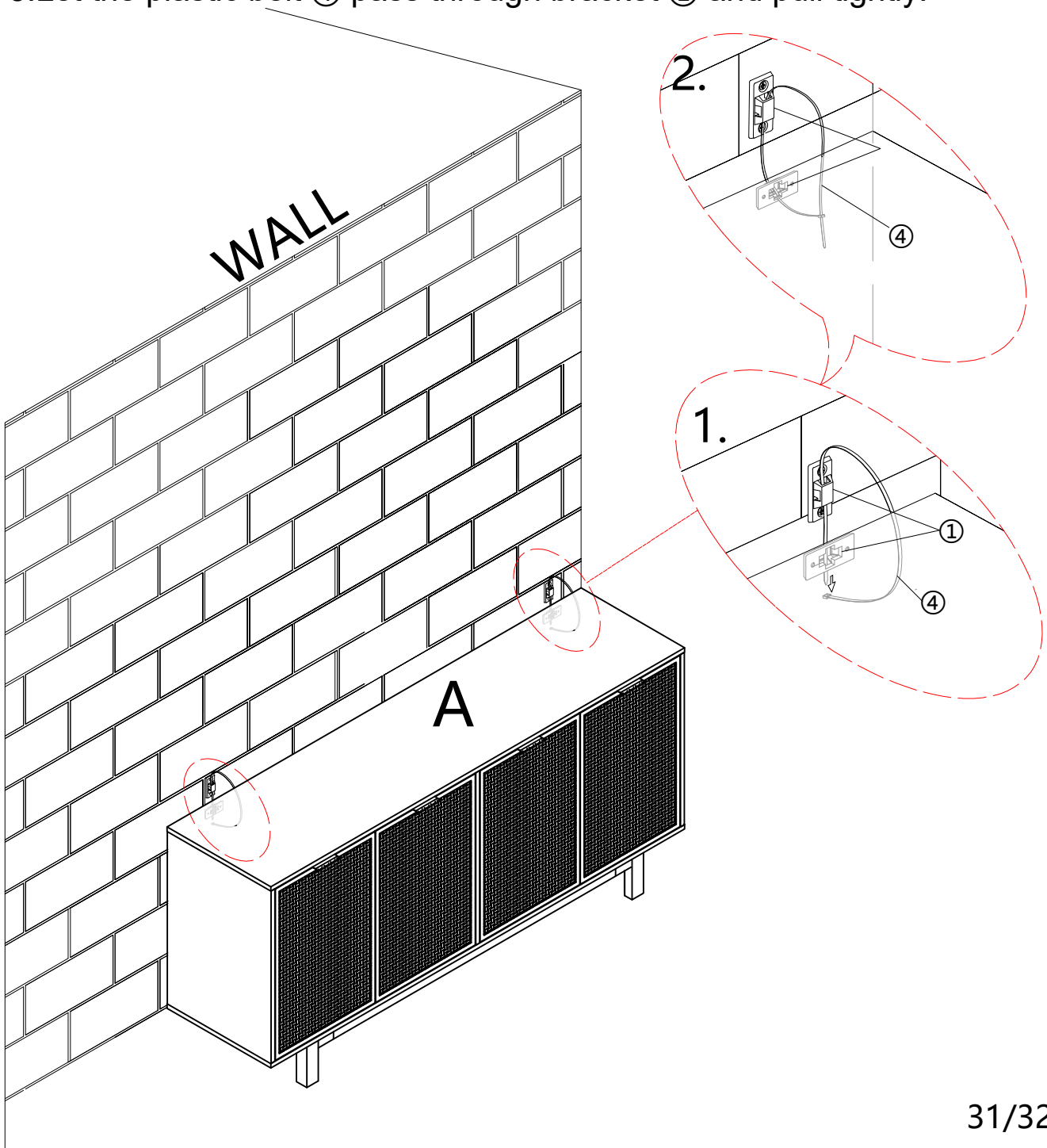


# ASSEMBLY INSTRUCTIONS



## STEP-25

3. Let the plastic belt ④ pass through bracket ① and pull tightly.



# WARRANTY

1. We strive to offer high-quality products, and we also try our best to satisfy each and every customer that orders from us with product or service as needed.
2. We provide 30 days warranty starting from the time you receive the item. Each customer must provide a record of their order such as the order number, or item receipt for any items that are out of the warranty period you may also still receive.
3. Replacement parts by purchasing them with our company if they are available.