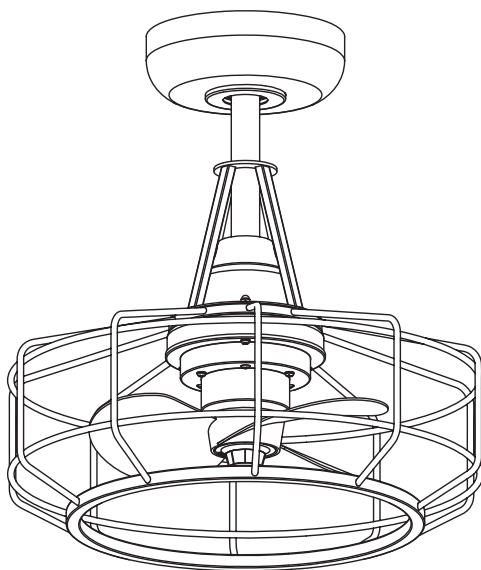


# CEILING FAN

Español p. 20



## Important Safety Instructions

**WARNING:** To avoid fire, shock and serious personal injury, follow these instructions.

1. Read your owner's manual and safety information before installing your new fan. Review the accompanying assembly diagrams.
2. Before servicing or cleaning unit, switch power off at service panel and lock service panel disconnecting means to prevent power from being switched on accidentally. When the service disconnecting means cannot be locked, securely fasten a warning device, such as a tag, to the service panel.
3. Be careful of the fan and blades when cleaning, painting, or working near the fan. Always turn off the power to the ceiling fan before servicing.
4. Do not insert anything into the fan blades while the fan is operating.
5. The appliance is not intended for use by young children or infirm persons without supervision. Young children should be supervised to ensure that they do not play with the appliance.

## Additional Safety Instructions

1. To avoid possible shock, be sure electricity is turned off at the fuse box before wiring, and do not operate fan without blades.
2. All wiring and installation procedures must satisfy National Electrical Codes (ANSI/ NFPA 70) and Local Codes. The ceiling fan must be grounded as a precaution against possible electrical shock. Electrical installation should be made or approved by a licensed electrician.
3. The fan base must be securely mounted and capable of reliably supporting at least 35 lbs. (fan and accessories not to exceed 35 lbs. or 15.88 kgs.). See page 5 of owner's manual for support requirements. Consult a qualified electrician if in doubt.
4. The fan must be mounted with the fan blades at least 10 feet from the floor to prevent accidental contact with the ceiling fan.
5. Follow the recommended instructions for the proper method of wiring your ceiling fan. If you do not have adequate electrical knowledge or experience, have your fan installed by licensed electrician.
6. Suitable for use with solid-state speed controls.
7. This fan is to be used in damp locations.
8. For supply connections, if the conductor of a fan is identified as a grounded conductor, then it should be connected to a grounded conductor power supply. If the conductor of a fan is identified as an ungrounded conductor, then it should be connected to an ungrounded conductor power supply. If the conductor of a fan is identified for equipment grounding, then it should be connected to an equipment-grounding conductor.

**CAUTION:** Changes or modifications not expressly approved by the party responsible for compliance could void the user's authority to operate the equipment.

**WARNING:** TO REDUCE THE RISK OF ELECTRIC SHOCK, THIS FAN MUST BE INSTALLED WITH A GENERAL USE, ISOLATING WALL CONTROL/SWITCH.

**WARNING:** This product is designed to use only those parts supplied with this product and/or accessories designated specifically for use with this product. Using parts and/or accessories not designated for use with this product could result in personal injury or property damage.

**WARNING:** To reduce the risk of personal injury, do not bend the blade bracket (flange or blade holder) when installing the brackets, balancing the blades, or cleaning the fan. Do not insert foreign objects in between rotating fan blades.

**WARNING:** Mount to an outlet box marked acceptable for fan support of 15.9 kg (35 lbs) or Less.

**WARNING:** Do not operate this fan with a variable (Rheostat) wall controller or dimmer switch. Doing so could result in damage to the ceiling fan's remote control unit.

This device complies with Part 15 of the FCC Rules. Operation is subject to the following two conditions:

(1) This device may not cause harmful interference, and (2) this device must accept any interference received, including interference that may cause undesired operation. If the intentional radiator can be classified as a Class B digital device or a PC peripheral, then shall include the following or equivalent:

**Note:** This equipment has been tested and found to comply with the limits for Class B digital device, pursuant to part 15 of the FCC Rules. These limits are designed to provide reasonable protection against harmful interference in a residential installation.

This equipment generates, uses and can radiate radio frequency energy and, if not installed and used in accordance with the instructions, may cause harmful interference to radio or television reception, which can be determined by turning the equipment off and on, the user is encouraged to try to correct the interference by one or more of the following measures:

- Reorient or relocate the receiving antenna.
- Increase the separation between the equipment and the receiver.
- Connect the equipment into an outlet on a circuit different from that to which the receiver is connected.

Consult the dealer or an experienced radio/TV technician for help.

**Note:** For a Class A digital device, statements of 15.105(a) must be included when appropriate for the device in question.

## LIMITED LIFETIME WARRANTY

Extends to the original purchaser of a fan from an authorized dealer/retailer only

1. **LIMITED LIFETIME MOTOR WARRANTY** - If any part of your fan motor fails, due to a defect in materials or workmanship during the lifetime of the original purchaser, we will provide the replacement part free of charge, when the defective fan is returned to our national service center. Proof of purchase is required. Customer shall be responsible for all costs incurred in the removal or reinstallation and shipping of the product for repairs or replacement.
2. **ONE YEAR MOTOR LABOR WARRANTY** - If your fan motor fails at any time within one year from the original purchase, due to defects in materials or workmanship, labor to repair the motor will be provided free of charge at our national service center. Purchaser will be responsible for labor charges after this one-year period. Customer shall be responsible for all costs incurred in the removal or reinstallation and shipping of the product for repairs or replacement.
3. If any other part of your fan fails at any time within one year after original purchase, due to a defect in materials or workmanship, we will repair, or replace, at our option, the defective part free of charge for parts and labor performed at our national service center.
4. Because of varying climate conditions, this warranty does not cover changes in the finish, including rusting, pitting, corroding, tarnishing, or peeling.
5. This warranty is void and does not apply to damage from improper installation, neglect, accident, misuse, exposure to extremes of heat or humidity, or as a result of any modification to the original product.
6. All costs of removal and reinstallation of the fan are the sole responsibility of the owner of the fan and not the store that sold the fan.
7. We reserve the right to modify or discontinue any product at any time and may substitute any part under this warranty.
8. Under no circumstances may a fan be returned without prior authorization from us. The receipt of purchase must accompany authorized returns and must be sent freight prepaid to us. The fan to be returned must be properly packed to avoid damage in transit; We will not be responsible for any damage resulting from improper packaging.
9. It is understood that any repair or replacement is the exclusive remedy available from us. There is no other expressed or implied warranty. We hereby disclaims any and all implied warranties, including, but not limited to those of merchantability and fitness for a particular purpose to the extent permitted by law. Some states do not allow limitations on implied warranties. We will not be liable for incidental, consequential, or special damages arising out of or in conjunction with product use or performance, except as may otherwise be accorded by law. This warranty gives you special legal rights and you may also have other rights that vary from state to state.
10. A certain amount of wobble is normal and should not be considered a problem or a defect.

## Table of Contents

Unpacking Instructions .....	4	How to Operate Your Ceiling Fan .....	14
Energy Efficient Use of Ceiling Fans .....	5	How to Install Your Remote Control .....	15
Electrical and Structural Requirements .....	5	Maintenance .....	15
How to Assemble Your Ceiling Fan .....	7	Troubleshooting .....	16
How to Hang Your Ceiling Fan .....	10	Parts List .....	17
How to Wire Your Ceiling Fan .....	11	Exploded-View Illustration .....	18
How to Install Your Canopy Housing .....	13		

# This manual is designed to make it as easy as possible for you to assemble, install, operate and maintain your ceiling fan

## Tools Needed for Assembly (Not Included)

- One Phillips head screwdriver
- One wire stripper
- One stepladder
- One 1/4" blade screwdriver

## Materials

Wiring outlet box and box connectors must be of type required by the local code. The minimum wire would be a 3-conductor (2-wire with ground) of the following size:

Installed Wire Length	Wire Size A.W.G.
Up to 50 ft.	14
50-100 ft.	12

**NOTE:** Place the parts from the loose parts bags in a small container to keep them from being lost. If any parts are missing contact your local retailer.

**⚠ WARNING**

Before assembling your ceiling fan, refer to section on proper method of wiring your fan (page 11). If you feel you do not have enough wiring knowledge or experience, have your fan installed by a licensed electrician.

## Unpacking Instructions


For your convenience, check-off boxes are provided next to each step. As each step is completed, place a check mark in the box. This will insure that all steps have been completed and will be helpful in finding your place should you be interrupted.

**⚠ WARNING**


Do not install or use fan if any part is damaged or missing. This product is designed to use only those parts supplied with this product and/or any accessories designated specifically for use with this product. Substitution of parts or accessories not designated for use with this product could result in personal injury or property damage.

1. Check to see that you have received the following parts:

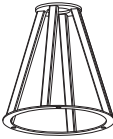
**NOTE:** If you are uncertain of part description, refer to exploded view illustration.




**Hanger Bracket Assembly (1)**




**Ceiling Canopy (1)**



**Upper Decorative Trim (1)**




**Receiver (1)**  
Wire Connectors (6)




**Downrod/Hanger Ball Assembly (1)**

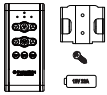
- Downrod
- Hanger Ball
- Set Screw
- Hairpin Clip
- Clevis Pin
- Pin



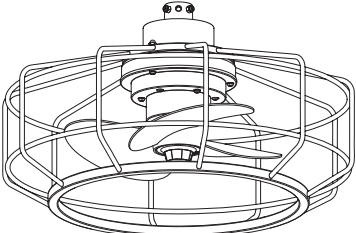
**Canopy Screw Cover Assembly (1)**



**Motor Coupling Cover Assembly (1)**




**Hand-held Remote (1)**  
Wall Holder (1)  
Screws (2)  
Battery (1)



**Motor Assembly (1)**

**Hardware Bag**



Wire Connectors (4)

---

## Energy Efficient Use of Ceiling Fans

Ceiling fan performance and energy savings rely heavily on the proper installation and use of the ceiling fan. Here are a few tips to ensure efficient product performance.

### Choosing the Appropriate Mounting Location

Ceiling fans should be installed, or mounted, in the middle of the room and at least 10 feet from floor to the blade and 18 inches from wall to the blade. If ceiling height allows, install the fan 11-12 feet from floor to the blade for optimal airflow. Consult your Retailer for optional mounting accessories.

### Turn Off When Not in the Room

Ceiling fans cool people, not rooms. If the room is unoccupied, turn off the ceiling fan to save energy.

### Using the Ceiling Fan Year Round

**Summer Season:** Use the ceiling fan in the clockwise direction. The airflow produced by the ceiling fan creates a wind-chill effect, making you "feel" cooler. Select a fan speed that provides a comfortable breeze, lower speeds consume less energy.

**Winter Season:** Reverse the motor and operate the ceiling fan at low speed in the counterclockwise direction. This produces a gentle updraft, which forces warm air near the ceiling down into the occupied space. Remember to adjust your thermostat when using your ceiling fan-additional energy and dollar savings could be realized with this simple step!

---

## Electrical and Structural Requirements

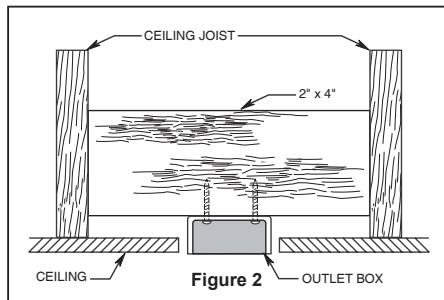
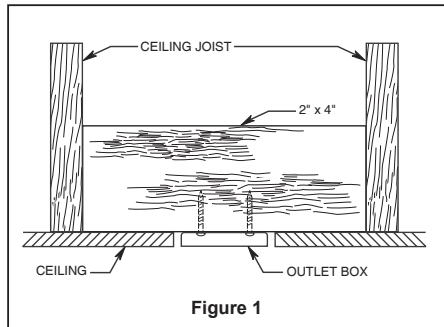
Your new ceiling fan will require a grounded electrical supply line of 120 volts AC, 60 HZ, 15 Amp Circuit. Electrical code requires use of a fan-rated outlet box to support the extra weight and motion associated with a ceiling fan. A fan-rated box will be labeled as such and typically supports up to a 70lbs ceiling fan. Fan-Rated Outlet Boxes vary in ratings and design. Ensure the ratings of your ceiling fan outlet box meet the requirements for the ceiling fan being installed. Figure 1, Figure 2 and Figure 3 depicts different structural configurations that may be used for mounting the outlet box.

### Low-profile use (Figure 1)

A 1/2-in.-deep pancake box is meant to be screwed to a joist or block. It's used if only one cable is coming into the box. It is also available in a saddle-mount configuration.

### Deep-profile use (Figure 2)

A 2-1/4-in.-deep box can be attached to blocking between joists and is roomy enough to handle more than one cable.



## Electrical and Structural Requirements (Continued)

### Brace use (Figure 3)

Paired with a deep box, this hanger is meant to span between two joists and takes the place of wooden blocking.

#### **WARNING**

To reduce the risk of fire, electrical shock, or personal injury, mount fan to outlet box marked acceptable for fan support of 15.88 kg (35 lbs) or less. Use screws supplied with outlet box. Most outlet boxes commonly used for support of light fixtures are not acceptable for fan support and may need to be replaced. Consult a qualified electrician if in doubt.

#### **WARNING**

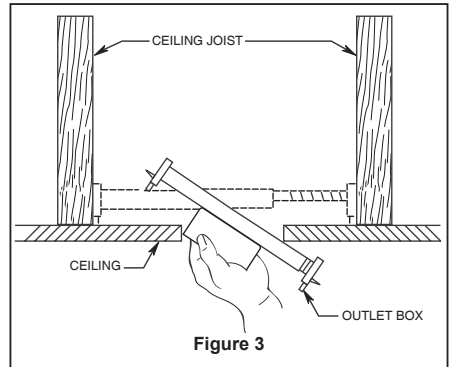
Turning off wall switch is not sufficient. To avoid possible electrical shock, be sure electricity is turned off at the main fuse box before wiring. All wiring must be in accordance with National and Local codes and the ceiling fan must be properly grounded as a precaution against possible electrical shock.

#### **WARNING**

To avoid fire or shock, follow all wiring instructions carefully. Any electrical work not described in these instructions should be done or approved by a licensed electrician.

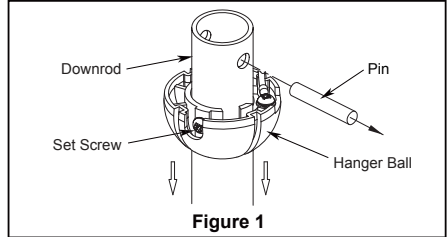
#### **WARNING**

Do not operate this fan with a variable (Rheostat) wall controller or dimmer switch. Doing so could result in damage to the ceiling fan's remote control unit.

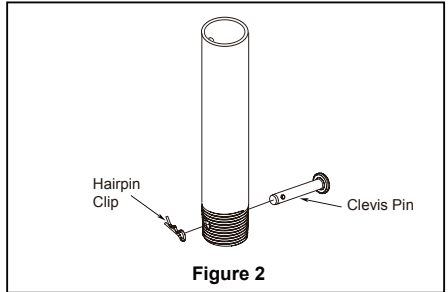


## How to Assemble Your Ceiling Fan

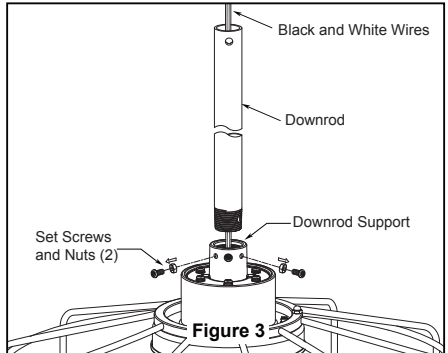
1. Remove the hanger ball portion from the downrod/hanger ball assembly by loosening the set screw in the hanger ball until the ball falls freely down the downrod. Remove the pin from the downrod, then remove the hanger ball. Retain the pin and hanger ball for reinstallation in Step 9. (Figure 1)



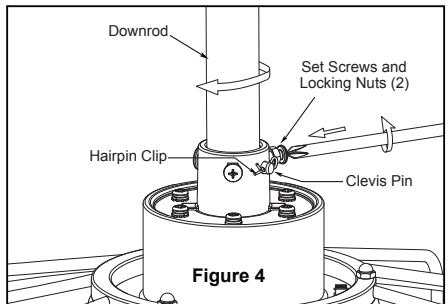
2. Remove the hairpin clip and clevis pin from the bottom of the downrod. Retain the pin and clip for reinstallation in Step 4. (Figure 2)



3. Loosen the two set screws and locking nuts in the downrod support of the motor assembly. Route the black and white wires through the downrod. (Figure 3)



4. Thread downrod into the downrod support on top of the motor. Install the clevis pin by aligning the holes in the downrod support with holes in the downrod. Secure clevis pin with hairpin clip. Tighten the two set screws with nuts in the downrod support. (Figure 4)

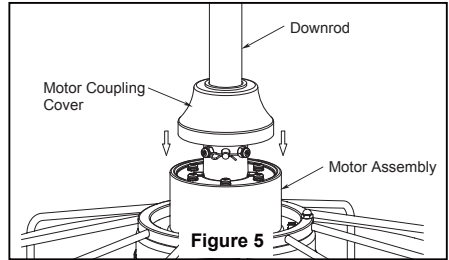


### **⚠ WARNING**

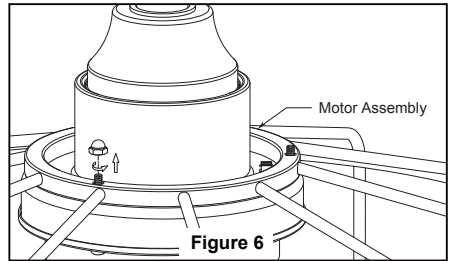
It is critical that the clevis pin in the downrod support is properly installed and the set screws and nuts are securely tightened. Failure to do so could result in the fan falling.

## How to Assemble Your Ceiling Fan (continued)

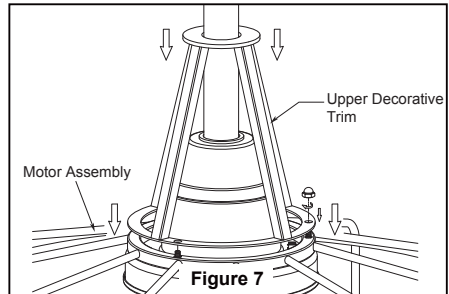
5. Route wires through motor coupling cover and slide motor coupling cover onto the downrod. Seat the motor coupling cover on the motor assembly. (Figure 5)



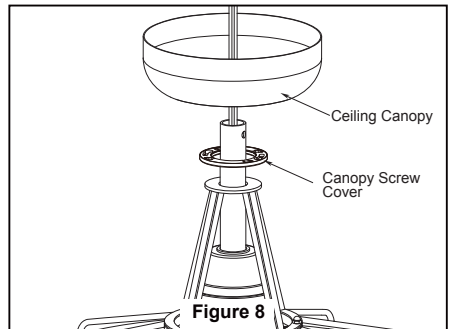
6. Remove the three cap nuts from the motor assembly and retain them for later. (Figure 6)



7. Assemble the upper decorative trim to the motor assembly using the previously removed cap nuts and securely tighten all three cap nuts. (Figure 7)



8. Route wires through canopy screw cover and ceiling canopy. (Figure 8)



## How to Assemble Your Ceiling Fan (continued)

9. Reinstall the hanger ball on the downrod as follows. Route the black and white wires through the hanger ball. Position the pin through the two holes in the downrod and align the hanger ball so the pin is captured in the groove in the top of the hanger ball. Pull the hanger ball up tight against the pin. Securely tighten the set screw in the hanger ball. A loose set screw could create fan wobble. (Figure 9)

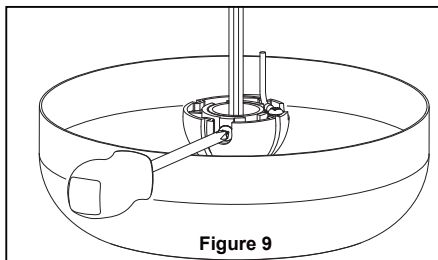


Figure 9

10. Cut off excess lead wire approximately 6 to 9 inches above top of the downrod. Strip insulation off 1/2 inch from the end of each lead wire. (Figure 10)

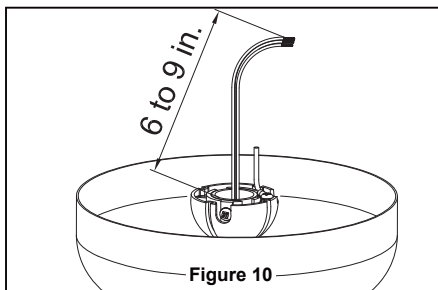


Figure 10

### CAUTION

All set screws must be checked, and retightened where necessary before installation.

11. Remove one of the two shoulder screws in the hanger bracket and retain the screw for later. Loosen the second shoulder screw without fully removing it. (Figure 11)

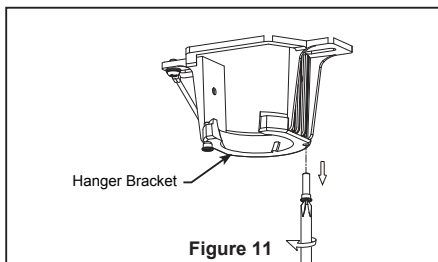


Figure 11

# How to Hang Your Ceiling Fan

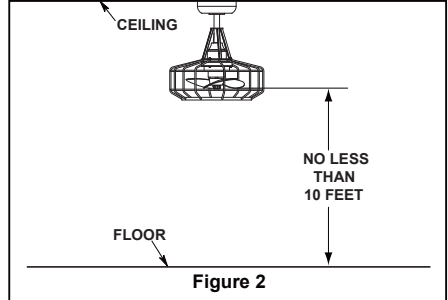
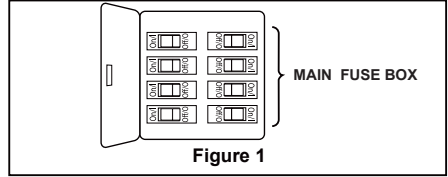
## **⚠ WARNING**

To avoid possible fire or shock, be sure electricity is turned off at the main fuse box before hanging. (Figure 1)

**NOTE:** If you are not sure if the outlet box is grounded, contact a licensed electrician for advice, as it must be grounded for safe operation.

## **⚠ WARNING**

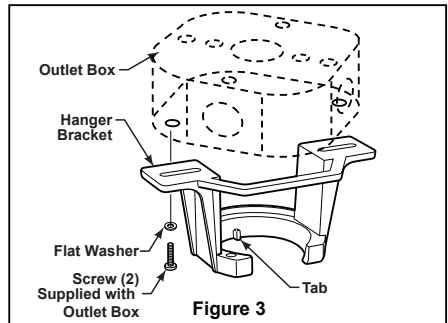
The fan must be hung with at least 10' of clearance from floor to blades. (Figure 2)



1. Securely attach the hanger bracket to the outlet box (not included) using the outlet box screws and washers supplied with the outlet box. (Figure 3)

## **⚠ WARNING**

The outlet box must be securely anchored. Hanger bracket must seat firmly against outlet box. If the outlet box is recessed, remove wall board until bracket contacts box. If bracket and /or outlet box are not securely attached, the fan could wobble or fall.



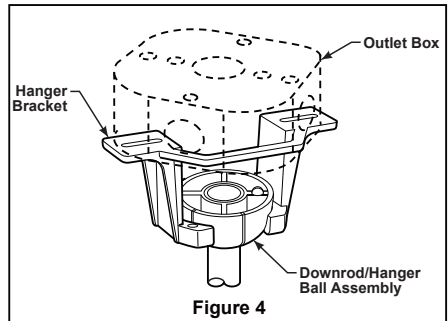
2. Carefully lift the fan and seat the downrod/hanger ball assembly onto the hanger bracket that was just attached to the outlet box. Be sure the groove in the ball is lined up with tab on the hanger bracket. (Figure 4)  
This fan is intended for standard and angled mounting options only. Closemount and flushmount options are not available. For angled ceilings, note the angle can be no more than 20°.

## **⚠ WARNING**

Failure to seat tab in groove could cause damage to electrical wires and possible shock or fire hazard.

## **⚠ WARNING**

To avoid possible shock, do not pinch wires between the hanger ball assembly and the hanger bracket.

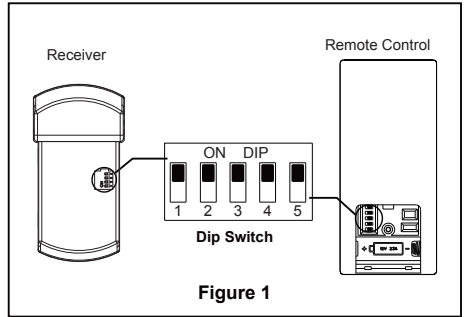


# How to Wire Your Ceiling Fan

**NOTE:** The remote unit has 32 different code combinations. To prevent possible interference from or to other remote units, simply change the combination code in the remote and receiver.

- 1. To set the code on receiver unit, slide dip switches to the same positions as set on the remote. (Figure 1)

**NOTE:** Factory setting is all up. Do not use this position.



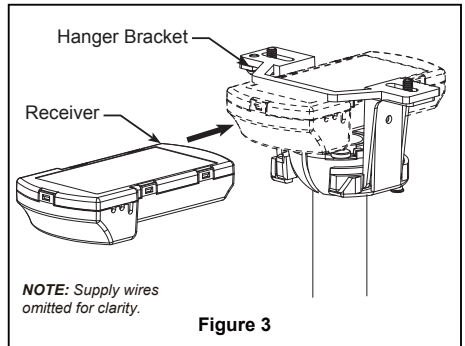
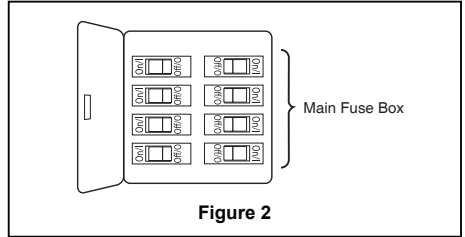
## **⚠ WARNING**

To avoid possible electrical shock, be sure electricity is turned off at the main fuse box before wiring. (Figure 2)

**NOTE:** If you are not sure if the outlet box is grounded, contact a licensed electrician for advice, as it must be grounded for safe operation.

**CAUTION:** INCORRECT WIRE CONNECTION WILL DAMAGE THIS RECEIVER.

- 2. Slide the receiver into the hanger bracket before wiring as shown in figure 3.



## How to Wire Your Ceiling Fan (continued)

**NOTE:** If you feel that you do not have enough electrical wiring knowledge or experience, have your fan installed by a licensed electrician.

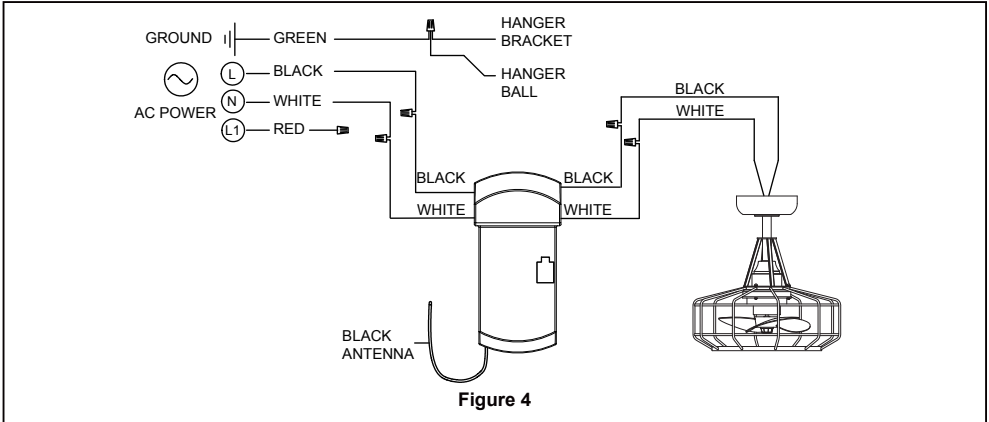


Figure 4

3. Connect green wires from hanger bracket, hanger ball and ground from supply using wire connector. Connect black wire from receiver unit marked "AC IN L" to black supply wire using wire connector. Connect white wire from receiver unit marked "AC IN N" to white supply wire using wire connector. Connect white wire from receiver unit marked "TO MOTOR N" to white wire from fan using wire connector supplied with receiver unit. Connect black wire from receiver unit marked "TO MOTOR L" to black wire from fan using wire connector supplied with receiver unit. (Figure 4)

### **⚠ WARNING**

Check to see that all connections are tight, including ground, and that no bare wire is visible at the wire connectors except for the ground wire. Do not operate fan until the blades are in place. Noise and motor damage could result.

### HARDWARE USED:

Wire Connectors  x 6

4. After connections have been made, the wires should be spread apart with the grounded conductor and the equipment-grounding conductor on one side of the outlet box and the ungrounded conductor on the other side of outlet box, then turn leads upward and carefully push leads into the outlet box, with the white and green leads to one side of the box and the black leads to the other side. (Figure 5)

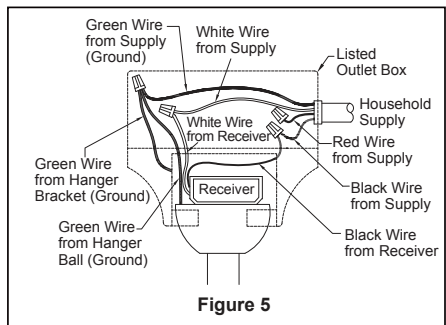


Figure 5

## How to Install Your Canopy Housing

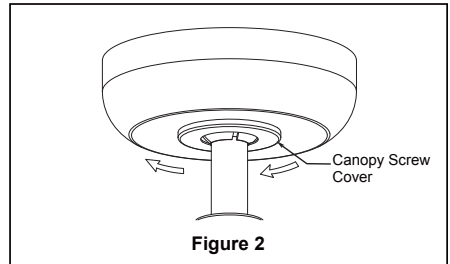
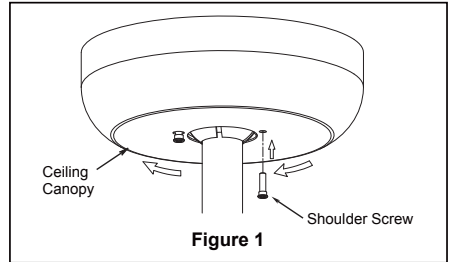
**NOTE:** This step is applicable after the necessary wiring is completed.

1. Assemble canopy by rotating key slot in canopy over shoulder screw in hanger bracket, taking care not to pinch the wires. Tighten shoulder screw. Fully assemble and tighten second shoulder screw that was previously removed. (Figure 1)

**⚠ WARNING**

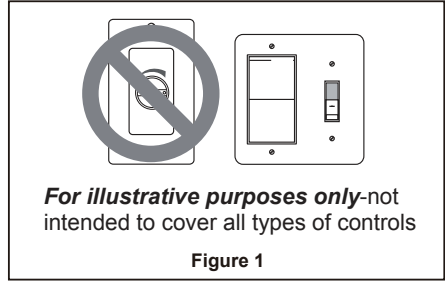
To avoid possible fire or shock, make sure that the electrical wires are completely inside the canopy housing and not pinched between the housing and the ceiling.

2. Securely attach and tighten the canopy screw cover over the shoulder screws in the hanger bracket utilizing the key slot twist-lock feature. (Figure 2)



## How to Operate Your Ceiling Fan

- 1. **IMPORTANT:** Using a full range dimmer switch (not included) to control fan speed will damage the fan. To reduce the risk of fire or electrical shock, do not use a full range dimmer switch to control the fan speed. (Figure 1)



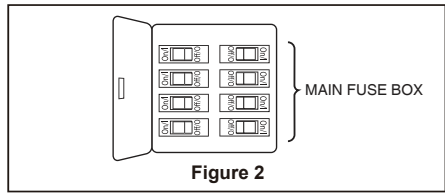
- 2. Restore electrical power to the outlet box by turning the electricity on at the main fuse box. (Figure 2)

**⚠ WARNING**

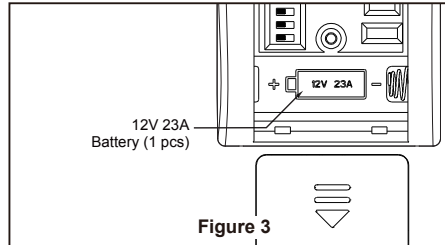
Check to see that all connections are tight, including ground, and that no bare wire is visible at the wire connectors, except for the ground wire. Do not operate fan until the blades are in place. Noise and fan damage could result.

**⚠ WARNING**

Do not operate this fan with a variable (Rheostat) wall controller or dimmer switch. Doing so could result in damage to the ceiling fan's remote control unit.



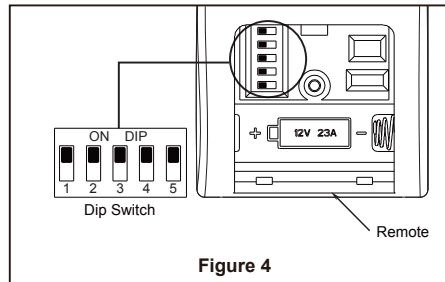
- 3. To make fan operational, install 23A/12V battery (included) in hand-held remote transmitter, with fan power off. Then follow the remote code setting process. (If not used for long periods of time, remove battery to prevent damage to transmitter). Store the remote away from excessive heat or humidity. (Figure 3)








**NOTE:** The remote unit has 32 different code combinations. To prevent possible interference from or to other remote units, simply change the combination code in the remote and receiver.

**NOTE:** Factory setting is all up. Do not use this position.

- 4. To set the remote code same positions as the receiver with a small screwdriver or ball point pen (neither included), slide dip switches firmly up or down. (Figure 4)



## How to Operate Your Ceiling Fan (continued)

5. Remote functions: (Figure 5)
- • • • Indicator LED light: fan speed
  -  button: Turns fan off.
  - Fan Speed:
    - △ Turns fan on and turns speed up.
    - ▽ Turns fan on and turns speed down.
  -  Light button (**No Function**)
  - Sleep Timer:
    -  Tap and the fan will turn off after 1 hour.
    -  Tap and the fan will turn off after 3 hour.
    -  Tap and the fan will turn off after 6 hour.

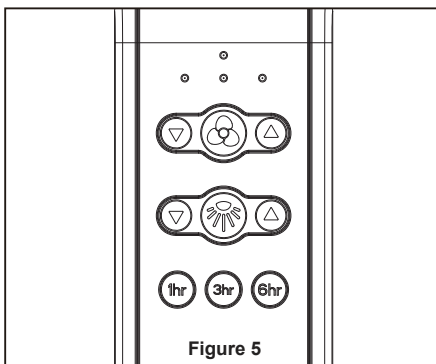


Figure 5

6. If airflow is desired in the opposite direction, turn the fan off and wait for the blades to stop turning. Slide the reverse switch on the motor assembly to the opposite position and turn fan on again. (Figure 6)

Reverse Switch Information		
Season	Rotation Direction	Switch Position
Summer	Clockwise	Right
Winter	Counter-Clockwise	Left

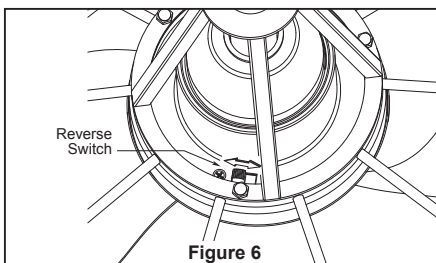


Figure 6

## How to Install Your Remote Control

1. Installing Wall Holder: (Figure 1)  
Attach wall holder using the two provided screws.

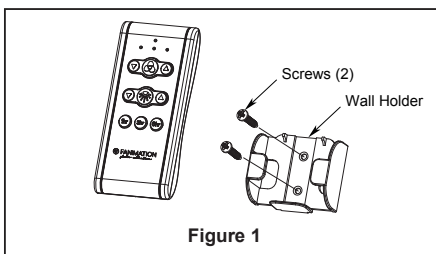


Figure 1

## Maintenance

1. Periodic cleaning of your new ceiling fan is the only maintenance that is needed. When cleaning, use only a soft brush or lint free cloth to avoid scratching the finish. Abrasive cleaning agents are not required and should be avoided to prevent damage to finish.

### CAUTION

Do not use water when cleaning your ceiling fan. It could damage the motor or the finish and create the possibility of electrical shock.

# Troubleshooting

 **WARNING**

For your own safety turn off power at fuse box or circuit breaker before trouble shooting your fan.

Trouble	Probable Cause	Suggested Remedy
<b>1. FAN WILL NOT START</b>	<ol style="list-style-type: none"> <li>1. Fuse or circuit breaker blown.</li> <li>2. Loose power line connections to the fan, or loose switch wire connections in the switch housing.</li> <li>3. Reversing switch in neutral position.</li> <li>4. Dead battery in remote control.</li> </ol>	<ol style="list-style-type: none"> <li>1. Check main and branch circuit fuses or circuit breakers.</li> <li>2. Check line wire connections to fan and switch wire connections in the switch housings.</li> <li><b>CAUTION: Make sure main power is turned off !</b></li> <li>3. Make sure reversing switch position is all the way to one side.</li> <li>4. Replace with new battery.</li> </ol>
<b>2. FAN SOUNDS NOISY</b>	<ol style="list-style-type: none"> <li>1. Loose screws in motor housing.</li> <li>2. Wire connectors inside housing rattling.</li> <li>3. Motor noise caused by solid state variable speed control.</li> </ol>	<ol style="list-style-type: none"> <li>1. Check to make sure all screws in motor housing are snug (do not overtighten).</li> <li>2. Check to make sure wire connectors in switch housing are not rattling against each other or against the interior wall of the switch housing.</li> <li><b>CAUTION: Make sure main power is turned off !</b></li> <li>3. Some fan motors are sensitive to signals from solid-state variable speed controls. Solid-state controls are not recommended, choose an alternative control method.</li> </ol>
<b>3. FAN WOBBLER EXCESSIVELY</b>	<ol style="list-style-type: none"> <li>1. Setscrew in downrod support is loose.</li> <li>2. Setscrew in downrod/hanger ball assembly is loose.</li> <li>3. The groove hanger ball not lined up with the tab.</li> <li>4. Hanger bracket and/or ceiling outlet box is not securely fastened.</li> </ol>	<ol style="list-style-type: none"> <li>1. Tighten both setscrews securely in downrod support.</li> <li>2. Tighten the setscrew in the downrod/hanger ball assembly.</li> <li>3. Re-hanging the hanger ball secure the tab into the groove.</li> <li>4. Tighten the hanger bracket screws to the outlet box, and secure outlet box.</li> </ol>
<b>4. NOT ENOUGH AIR MOVEMENT</b>		<ol style="list-style-type: none"> <li>1. If possible, consider using a longer downrod</li> </ol>

## Parts List

Reference #	Description	Part #
1	Hanger Bracket Assembly	AP307001BL
2	Hanger Ball/Downrod Assembly	ADRAC4GT1-8**
3	Ceiling Canopy	PPTL1002**
4	Canopy Screw Cover Assembly	APPTL1101**
5	Upper Decorative Trim	P307101**
6	Motor Coupling Cover Assembly	APPTL1401**
7	Motor Assembly	AMA3071**
8	Receiver	RCCA030040006
9	Hand-held Remote	TR500S
10	Wire Connectors (4)	HDWWNUTS4

\*\* Insert FINISH CODES (Refer to fan model number located on downrod support)

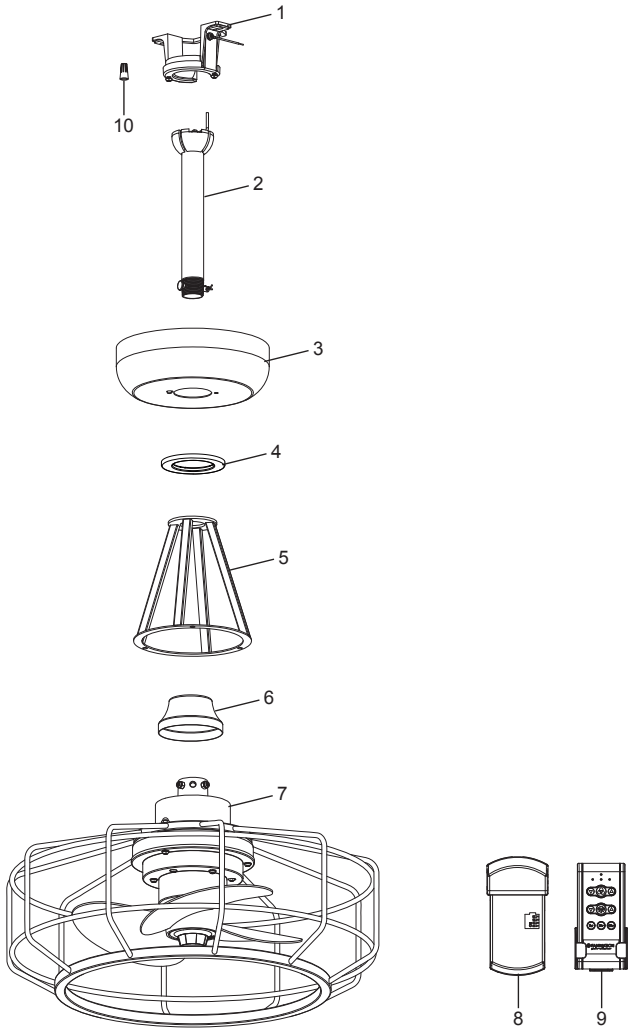
**Before discarding packaging material, be certain all parts have been removed.**

### HOW TO ORDER REPAIR PARTS

When ordering repair parts, always give the following information:

- Fan Model Number
- Part Number
- Part Description
- Date Code

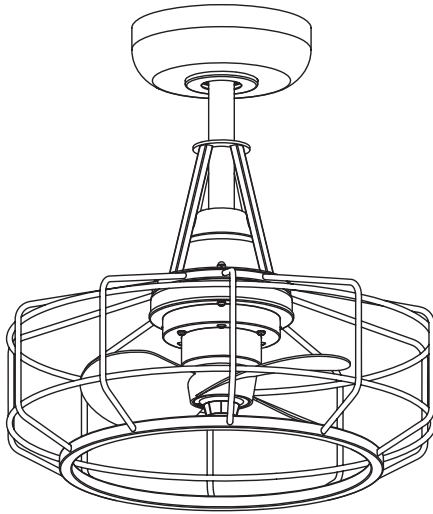
**Exploded-View  
Illustration**



**Figure 1**

**NOTE:** The illustration shown is not to scale or its actual configuration may vary.  
Product/parts are subject to change without notice.

# VENTILADOR



## Instrucciones de seguridad importantes

**ADVERTENCIA:** Siga estas instrucciones para prevenir incendios, descargas eléctricas y lesiones personales graves.

1. Lea el manual del propietario y la información de seguridad antes de instalar su nuevo ventilador. Observe los diagramas de ensamblaje adjuntos.
2. Antes de llevar a cabo el mantenimiento o la limpieza de la unidad, desconecte la electricidad en el panel de servicio y bloquee los medios de desconexión del mismo para evitar que se active accidentalmente. Si no se pueden bloquear los medios de desconexión del servicio, coloque un dispositivo de advertencia, como una etiqueta, en el panel de servicio.
3. Tenga cuidado con la estructura y las aspas del ventilador cuando limpie, pinte o trabaje cerca del mismo. Desconecte siempre la electricidad del ventilador de techo antes de llevar a cabo el mantenimiento.
4. No coloque nada en las aspas del ventilador cuando éste se encuentra en funcionamiento.
5. El dispositivo no ha sido diseñado para ser utilizado por niños o personas enfermas sin supervisión. Los niños deben ser supervisados para asegurarse de que no juegan con el dispositivo.

## Instrucciones de seguridad adicionales

1. Para evitar posibles descargas eléctricas, asegúrese de que la electricidad esté desconectada en la caja de fusibles antes de realizar la instalación eléctrica, y no haga funcionar el ventilador sin las aspas.
2. Todos los procedimientos de conexión eléctrica e instalación deben cumplir con los Códigos eléctricos nacionales (ANSI/NFPA 70) y Códigos locales. El ventilador de techo debe estar conectado a tierra a fin de prevenir posibles descargas eléctricas. La instalación eléctrica debe ser llevada a cabo o aprobada por un electricista autorizado.
3. Se debe fijar bien la base del ventilador; ésta debe ser capaz de soportar sin problemas al menos 15,9 kg (35 lb). Consulte la página 24 del manual del propietario para ver los requisitos de soporte. Si tiene dudas, consulte a un electricista calificado.
4. La ventilador deben instalarse por lo menos a 3,05 m (10 pies) del suelo, a fin de evitar un contacto accidental con las mismas.
5. Siga las recomendaciones sobre el método correcto de instalación eléctrica de su ventilador de techo. Si no posee la experiencia o los conocimientos eléctricos adecuados, contrate a un electricista autorizado para instalar el ventilador.
6. Apto para usar con controles de velocidad de estado sólido.
7. Este ventilador es apto sólo para lugares secos o húmedos.
8. En lo que respecta a las conexiones de suministro, si el conductor del ventilador está identificado como conductor con conexión a tierra, se le debe conectar a un suministro de electricidad con conductor de puesta a tierra. Si el conductor del ventilador está identificado como conductor que no es de puesta a tierra, se le debe conectar a un suministro de electricidad con conductor sin puesta a tierra. Si el conductor del ventilador está identificado para equipos de puesta a tierra, se le debe conectar al conductor de equipos de puesta a tierra.

**PRECAUCIÓN:** los cambios o modificaciones no aprobados expresamente por la parte responsable del cumplimiento podrían invalidar el usuario Autoridad para operar el equipo.

**ADVERTENCIA:** PARA REDUCIR EL RIESGO DE DESCARGAS ELÉCTRICAS, ESTE VENTILADOR SE DEBE INSTALAR CON UN CONTROL/INTERRUPTOR DE PARED AISLADO.

**ADVERTENCIA:** Este producto está diseñado para ser usado sólo con las piezas suministradas o los accesorios indicados específicamente para el mismo. Si utiliza piezas o accesorios que no están indicados para su uso con este producto, podría sufrir lesiones personales o dañar el ventilador.

**ADVERTENCIA:** Para reducir el riesgo de lesiones personales, no doble los soportes de las aspas (borde o soporte de aspas) al instalar los soportes, balancear las aspas o limpiar el ventilador. No coloque objetos extraños entre las aspas del ventilador en funcionamiento.

**ADVERTENCIA:** Monte a una caja de salida aceptable para apoyo de los aficionados de 15,9 kg (35 lbs) o menos.

**ADVERTENCIA:** No utilice este ventilador con un controlador variable de pared (Rheostat) o un regulador de intensidad. Si lo hiciera podría dañar la unidad del mando a distancia del ventilador de techo.

(1) Este equipo no causará interferencias perjudiciales y (2) este equipo tolerará cualquier interferencia recibida, incluidas las interferencias que puedan provocar un funcionamiento no deseado. Si el radiador intencional puede ser clasificado como un dispositivo digital de clase B o un periférico del ordenador, entonces se deberán incluir los siguientes o equivalentes:

Nota: Tras someterlo a las pruebas correspondientes, se ha determinado que este equipo cumple con los límites establecidos para dispositivos digitales de Clase B de conformidad con la parte 15 de la Normativa FCC. Estos límites se han establecido con el objetivo de aportar una protección razonable contra interferencias perjudiciales cuando el equipo se utiliza en el hogar. Este equipo genera, utiliza y puede emitir energía de radiofrecuencia y, a menos que se instale y se utilice de acuerdo con el manual de instrucciones, puede provocar interferencias perjudiciales en las comunicaciones por radio y televisión. Si el equipo produce interferencias perjudiciales en la recepción de radio o televisión, lo cual puede probarse encendiendo y apagando el equipo, se recomienda al usuario corregir dichas interferencias tomando una o varias de las siguientes medidas:

- Modificar la orientación o ubicación de la antena de recepción;
  - Aumentar la separación entre el equipo y el receptor;
  - Conectar el equipo a una toma de corriente o circuito diferente al del receptor;
- Consulte al distribuidor o a un técnico especialista de radio o TV para obtener más ayuda.

Nota: Para un dispositivo digital de clase A, la declaración de 15. 105(a) debe ser incluida cuando sea apropiada para el dispositivo en cuestión.

## GARANTÍA LIMITADA DE POR VIDA

**Se extiende al comprador original del ventilador solo desde un distribuidor/minorista autorizado de**

1. GARANTÍA LIMITADA DE POR VIDA DEL MOTOR - Si se produjera una falla en alguna de las partes del motor de su ventilador debido a un defecto en los materiales o en la fabricación durante el tiempo de vida del comprador original, proporcionará la pieza de repuesto sin cargo una vez que el ventilador defectuoso sea devuelto a nuestro centro de servicios nacional. Se requiere comprobante de venta. El cliente se hará responsable de todos los gastos de remoción o reinstalación y envío del producto para reparaciones o sustitución.
2. GARANTÍA DE MANO DE OBRA DEL MOTOR POR UN AÑO - Si el motor de su ventilador fallara antes de cumplirse un año a partir del momento de su compra original debido a defectos en los materiales o en la fabricación, se le efectuará la reparación del mismo sin cargo en nuestro centro de servicios nacional. El comprador se hará responsable de los gastos de mano de obra luego del período de un año. El cliente se hará responsable de todos los gastos de remoción o reinstalación y envío del producto para reparaciones o sustitución.
3. Si otra pieza del ventilador fallara dentro del período de un año a partir de la fecha de compra original debido a un defecto en los materiales o en la fabricación, repararemos o sustituiremos, según creamos conveniente, la pieza defectuosa sin cargo alguno en nuestro centro de servicios nacional.
4. Debido a las diversas condiciones climáticas, esta garantía no cubre cambios en la terminación, incluidos oxidación, corrosión, falta de brillo o peladuras.
5. Esta garantía es nula y no se aplica a daños por instalación incorrecta, negligencia, accidentes, uso indebido, exposición al calor o a la humedad en exceso, o como resultado de cualquier modificación realizada al producto original.
6. Todos los gastos de remoción y reinstalación del ventilador son responsabilidad exclusiva del propietario, y no de la tienda que vendió el ventilador ni
7. se reserva el derecho de modificar o discontinuar un producto en cualquier momento, o sustituir cualquier pieza según lo establecido por esta garantía.
8. En ningún caso se podrá devolver un ventilador sin previa autorización por parte. Las devoluciones autorizadas deberán ir acompañadas del recibo de venta y deberán enviarse, previo pago del flete. El ventilador que se devuelva deberá estar embalado en forma adecuada a fin de evitar daños durante el transporte. no se hará responsable de los daños que resulten del embalaje incorrecto del producto.
9. Se entiende que las reparaciones y las sustituciones son el único recurso disponible. No existe ninguna otra garantía expresa o implícita. Por la presente, niega todas las garantías implícitas, que incluyen, entre otras, la comerciabilidad y la aptitud para determinado fin hasta donde la ley lo permita. Algunos estados no permiten limitaciones sobre las garantías implícitas. no se hará responsable por daños accidentales, resultantes o especiales derivados del uso o el rendimiento del producto o en conjunción con éste, excepto en los casos en los que la ley así disponga. Esta garantía le otorga derechos legales especiales y es posible que también goce de otros derechos que pueden variar según el estado.
10. Es normal que se produzca un cierto movimiento oscilante y esto no debe considerarse un problema o defecto.

## Tabla de contenidos

Instrucciones para el desempaque . . . . .	23	Cómo utilizar su ventilador de techo . . . . .	32
Uso eficiente de la energía en ventiladores de techo . . . . .	24	Cómo instalar su mando a distancia . . . . .	34
Requisitos eléctricos y estructurales . . . . .	24	Mantenimiento . . . . .	34
Cómo ensamblar el ventilador de techo . . . . .	26	Solución de problemas . . . . .	35
Cómo colgar el ventilador de techo . . . . .	29	Lista de piezas . . . . .	36
Cómo realizar la instalación eléctrica del ventilador de techo. . . . .	30	Ilustración del despiece . . . . .	37
Cómo instalar la carcasa de la cubierta . . . . .	32		

Este manual está diseñado para facilitar al máximo el ensamblaje, la instalación, el funcionamiento y el mantenimiento de su ventilador de techo.

### Herramientas necesarias para el ensamblaje (No incluido)

- Destornillador Phillips
- Escalera de tijera
- Destornillador de 1/4"
- Pelacables

### Materiales

La caja de distribución eléctrica y los conectores de la caja deben ser del tipo requerido por el código local. El cable más pequeño debe ser un cable de tres conductores (de dos conductores con conexión a tierra) del siguiente tamaño:

longitud del cable instalado	tamaño del cable según el A.W.G. (Calibre de Alambre Estadounidense)
hasta 15,2 m (50 pies)	14
de 15,2 a 30,5 m (50 a 100 pies)	12

**NOTA:** coloque las piezas de las bolsas de piezas individuales en un contenedor pequeño para evitar que se extravíen. Si faltan piezas, póngase en contacto con su proveedor local.

**⚠ ADVERTENCIA**

Antes de ensamblar el ventilador de techo, consulte la sección sobre el método correcto de instalación eléctrica del ventilador (página 30). Si siente que no posee la experiencia o los conocimientos eléctricos necesarios, contrate a un electricista autorizado para instalar el ventilador.

## Instrucciones para el desempaque


Para su comodidad, marque cada uno de los pasos. A medida que completa cada paso, coloque una marca de verificación. Con esto se asegurará de completar todos los pasos y podrá saber desde dónde retomar si fuera interrumpido.

**⚠ ADVERTENCIA**

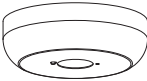
No instale ni utilice el ventilador si falta alguna pieza o si hay piezas dañadas. Este producto está diseñado para ser utilizado sólo con las piezas suministradas o los accesorios indicados específicamente para el mismo. La sustitución de piezas o accesorios no designó para usar con este producto podría ocasionar lesiones personales o daños en el ventilador. Póngase en contacto con su tienda si faltan piezas o hay piezas dañadas.

1. Verifique que haya recibido las siguientes piezas:

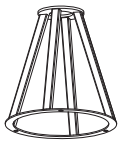
**NOTA:** si no está seguro de la descripción de una pieza, consulte la ilustración del despiece.




Unidad del soporte de suspensión (1)




Capuchón de techo (1)



Ribete Decorativo Superior (1)




Receptor (1)  
Conectores de cables (6)




Unidad del barral/ de la semiesfera (1)

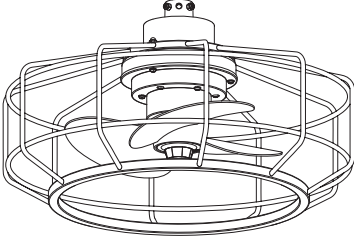
- Varilla (1)
- Bola colgante (1)
- Tornillo de fijación (1)
- Clip de horquilla (1)
- Pasador de horquilla (1)
- Pasador (1)



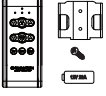
Cubierta para el tornillo del capuchón (1)



Cubierta de unión del motor (1)




Unidad del motor (1)



Mano a distancia (1)  
Placa de la pared (1)  
Tornillos (2)  
Batería (1)

**Bolsas de accesorios**



Conectores de cables (4)

## Uso eficiente de la energía en ventiladores de techo

El nivel de rendimiento y ahorro de energía de los ventiladores de techo dependen de su correcta instalación y uso. A continuación le presentamos algunas sugerencias para asegurar un rendimiento eficiente del producto.

### Selección del lugar de montaje adecuado

Los ventiladores de techo se deben instalar en el centro de la habitación, a 3,05 m (10 pies) de altura del piso hasta la cuchilla como mínimo y 0,5 m (18 pulgadas) de las paredes hasta la cuchilla. Si la altura del techo lo permite, instale el ventilador a 3,4 m (11-12 pies) de altura del piso hasta la cuchilla para un flujo de aire óptimo. Consulte en su tienda minorista para obtener accesorios de montaje opcionales.

### Apague el ventilador cuando no se encuentre en la habitación

Los ventiladores son para refrescar a la gente, no a las habitaciones. Si la habitación está vacía, apague el ventilador de techo para ahorrar energía.

### Uso del ventilador de techo todo el año

**En verano:** Use el ventilador de techo en sentido de las agujas del reloj. El flujo de aire que produce el ventilador creará un efecto frío del aire que lo refrescará más. Seleccione una velocidad que le proporcione una brisa confortable. Las velocidades más bajas consumen menos energía.

**En invierno:** Invierta el motor y haga funcionar el ventilador de techo a velocidad baja y en el sentido contrario a las agujas del reloj. Esto produce una suave corriente ascendente, que obliga al aire cálido que se acumula cerca del techo a bajar al espacio ocupado. No olvide ajustar el termostato cuando utilice el ventilador de techo. Con este sencillo paso puede ahorrar energía adicional y dinero.

## Requisitos eléctricos y estructurales

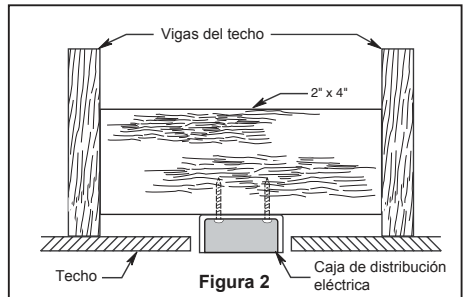
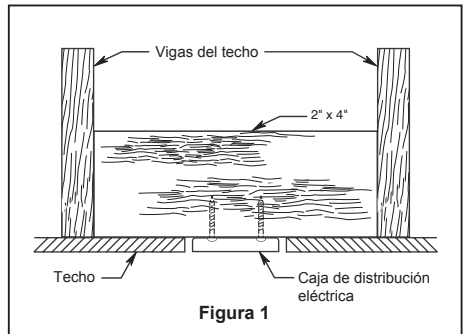
Su nuevo ventilador de techo requiere una línea de suministro eléctrico con conexión a tierra de 120 voltios de CA, 60 Hz, circuito de 15 amperios. La normativa eléctrica requiere el uso de una caja de distribución eléctrica para ventiladores que soporte el peso extra y el movimiento asociado a un ventilador de techo. La caja de distribución eléctrica será etiquetada como tal y soportará un ventilador de techo de un peso de hasta 70 libras. Dichas cajas varían en tipos y diseños. Asegúrese de que el tipo de su caja reúne los criterios para el ventilador que se está instalando. Las ilustraciones 1, 2 y 3 muestran las diferentes configuraciones estructurales que pueden ser utilizadas para dicha caja de distribución eléctrica.

### Uso de perfil bajo (Figura 1)

La caja lisa de 1/2 pulgada de profundidad será atornillada a una viga o bloque. Se utilizará si solo un cable va a ser introducido en la caja. También está disponible en una configuración de montaje endosado.

### Uso de perfil profundo (Figura 2)

La caja de 2-1/4 pulgada será atornillada a un bloque entre vigas que tenga suficiente espacio para colocar más de un cable.



## Requisitos eléctricos y estructurales (cont.)

### Uso del soporte (Figura 3)

Conectado a una caja de distribución eléctrica, este colgador sirve para abarcar el espacio entre dos vigas y ocupar el lugar de bloqueo de la madera.

#### **⚠ ADVERTENCIA**

Para reducir el riesgo de incendios, descargas eléctricas o lesiones personales, fije el ventilador a la caja de distribución eléctrica marcada como aceptable para soporte de ventilador de 15,88kg (35lb). Utilice los tornillos suministrados con la caja de distribución eléctrica. La mayoría de las cajas de distribución eléctrica que comúnmente se utilizan como soporte de lámparas no son aptas para soporte de ventiladores y es posible que deban reemplazarse. Consulte a un electricista calificado si tiene dudas.

#### **⚠ ADVERTENCIA**

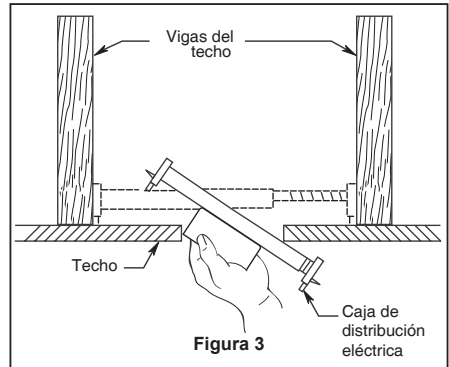
Apagar el interruptor de pared no es suficiente. Para evitar posibles descargas eléctricas, asegúrese de que la electricidad esté desconectada en la caja de fusibles principal antes de realizar la instalación eléctrica. Toda instalación eléctrica debe cumplir con los códigos nacionales y locales y el ventilador de techo debe tener la conexión a tierra adecuada como forma de precaución ante posibles descargas eléctricas.

#### **⚠ ADVERTENCIA**

A fin de evitar incendios o descargas eléctricas, siga con cuidado todas las instrucciones de instalación eléctrica. Cualquier trabajo eléctrico que no se describa en estas instrucciones deberá ser realizado o aprobado por un electricista autorizado.

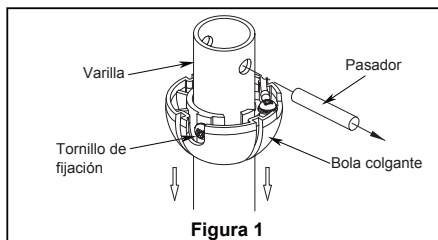
#### **⚠ ADVERTENCIA**

No utilice este ventilador con un controlador variable de pared (Rheostat) o un regulador de intensidad. Si lo hiciera podría dañar la unidad del mando a distancia del ventilador de techo.

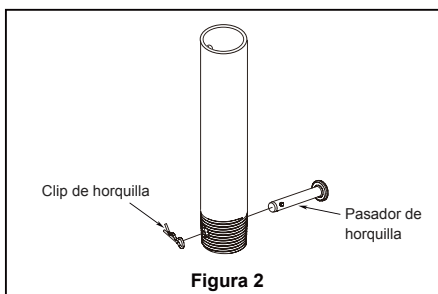


## Cómo ensamblar el ventilador de techo

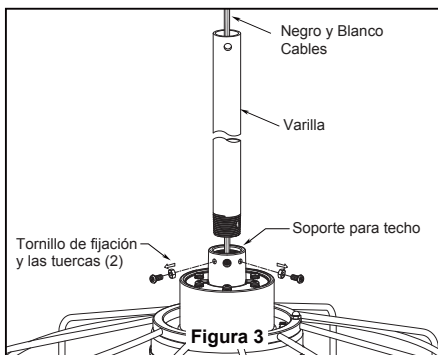
1. Extraiga la pieza de la bola colgante de la unidad de la bola colgante / varilla aflojando el tornillo de presión de la bola colgante hasta que la bola se libere de la varilla. Retire el pasador del barral y luego extraiga la semiesfera. Conserve el pasador y la semiesfera para su reinstalación en el Paso 9. (Figura 1)



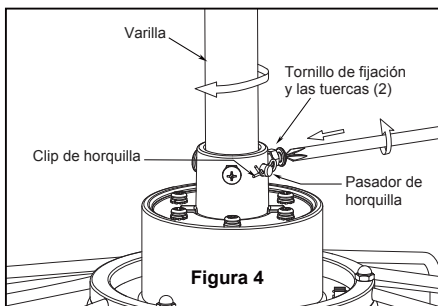
2. Retire el clip de horquilla y pasador de horquilla de la parte inferior de la bola para colgar. Retener el pasador y clip para la reinstalación en el paso 4. (Figura 2)



3. Afloje los dos tornillos de fijación del soporte del barral. Introduzca los cables de color negro y blanco de soporte para techo a través de la varilla. (Figura 3)



4. Enrosque el soporte de la varilla y alinee los orificios de la clavija de horquilla en ambas piezas. Instale la clavija de horquilla y asegúrela con la pinza de horquilla. Fije los dos tornillos de presión y las tuercas de seguridad en el soporte de la varilla interior. (Figura 4)

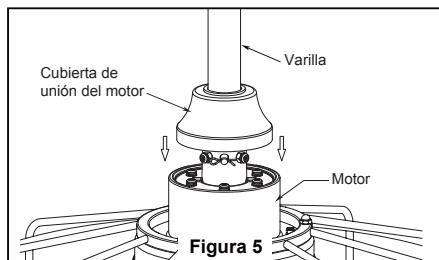


### **⚠ ADVERTENCIA**

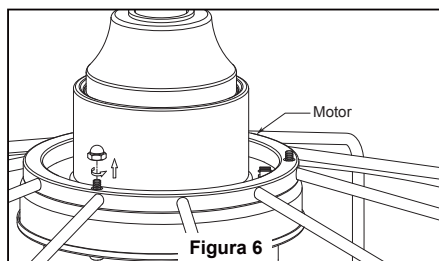
Es fundamental que instale correctamente el pasador de horquilla en el soporte de la varilla, y que ajuste firmemente los tornillos de fijación y las tuercas. El incumplimiento de dicho paso podría hacer que el ventilador se caiga.

## Cómo ensamblar el ventilador de techo (cont.)

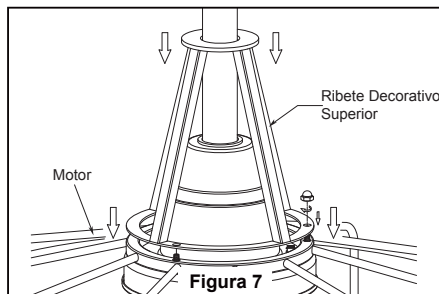
5. Pase los cables a través de la cubierta de unión del motor y coloque el cubierta de unión del motor en la varilla. Asiente la cubierta de unión del motor en el unidad del motor. (Figura 5)



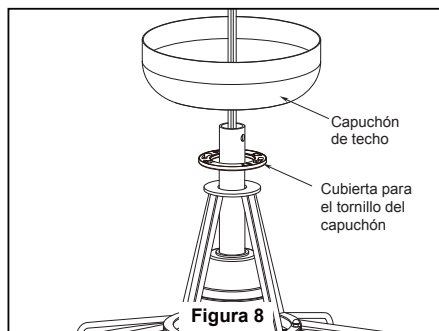
6. Retire le tres tuercas desde el motor del ensamble y guárdelos para después. (Figura 6)



7. Instale la ribete decorativo superior en la motor usando las el tuercas retirados previamente y fije bien los tres tuercas. (Figure 7)



8. Pase los cables a través de la cubierta para el tornillo del capuchón y el capuchón de techo. (Figura 8)



## Cómo ensamblar el ventilador de techo (cont.)

9. Vuelva a colocar la semiesfera en el barral como se indica a continuación. Pase los cables de negro y blanco a través de la semiesfera. Pase el pasador a través de los dos orificios en el barral y alinee la semiesfera de modo que el pasador quede atrapado en la ranura de la parte superior de la misma. Empuje la semiesfera hacia arriba, bien ajustada contra el pasador. Ajuste firmemente el tornillo de fijación en la semiesfera. Si el tornillo de fijación está flojo, podría provocar oscilación del ventilador. (Figura 9)

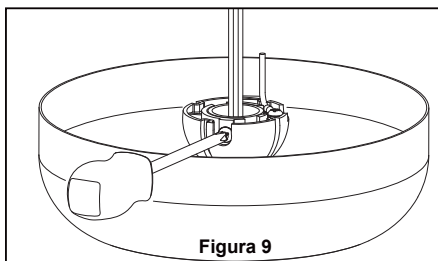


Figura 9

10. Corte el exceso de cable aproximadamente de 15 a 23 cm (6 a 9 pulgadas) por encima de la parte superior del barral. Pele 1,2 cm (1/2") del aislamiento en cada extremo del cable. (Figura 10)

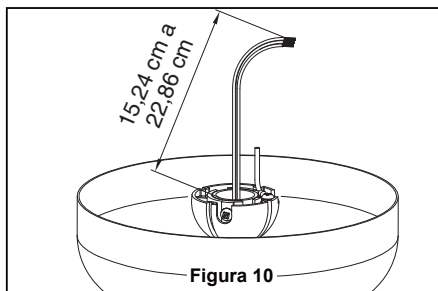


Figura 10

### PRECAUCIÓN

Se deben revisar todos los tornillos de fijación y volver a ajustarlos cuando sea necesario antes de realizar la instalación.

11. Extraiga uno de los tornillos de hombro en el soporte del gancho y guarde los tornillos para pasos posteriores. Afloje el segundo tornillo de hombro sin extraiga completamente. (Figura 11)

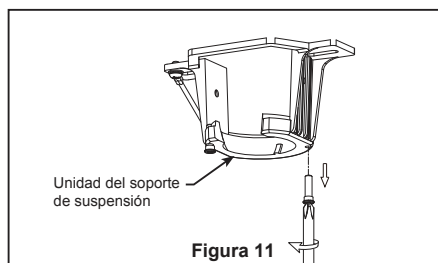


Figura 11

## Cómo colgar el ventilador de techo

### **⚠ ADVERTENCIA**

Para evitar una posible descarga eléctrica, asegúrese de cortar la alimentación eléctrica de la caja de fusibles principal antes de colgar el ventilador. (Figura 1)

**NOTA:** Si no está seguro de si la caja de salida tiene conexión a tierra, pida consejo a un electricista certificado, ya que debe tener conexión a tierra para un funcionamiento seguro.

### **⚠ ADVERTENCIA**

Debe colgar el ventilador a una distancia mínima de 3,05 m desde la ventilador de techo hasta el piso. (Figura 2)

1. Fije bien la abrazadera para colgar a la caja de salida (no se incluye) con los tornillos y las arandelas provistas con la caja de salida. (Figura 3)

### **⚠ ADVERTENCIA**

La caja de salida debe estar bien asegurada. La abrazadera para colgar debe estar bien asentada contra la caja de salida. Si la caja de salida está empotrada, retire el panel hasta que la abrazadera haga contacto con la caja. Si la abrazadera y/o la caja de salida no están bien aseguradas, el ventilador podría tambalearse o caerse.

2. Levante cuidadosamente el ventilador y coloque el ensamble de la bola para colgar/varilla en la abrazadera para colgar que acaba de fijar a la caja de salida. Asegúrese de que la ranura de la bola esté alineada con la lengüeta de la abrazadera para colgar. (Figura 4)

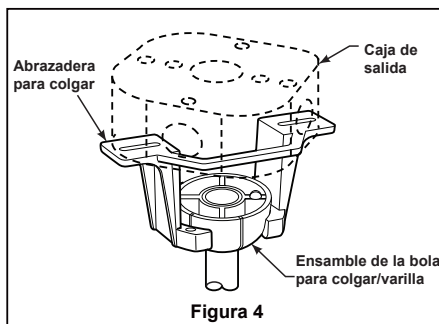
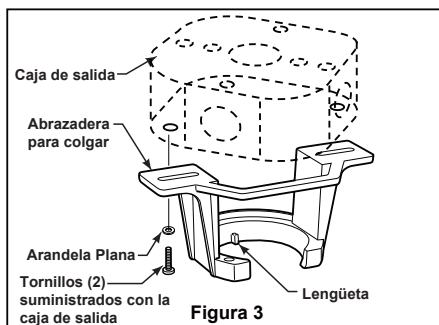
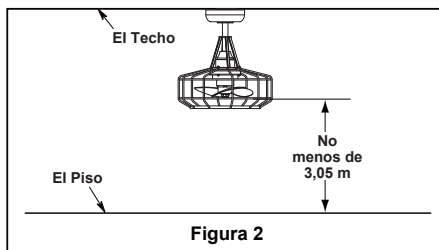
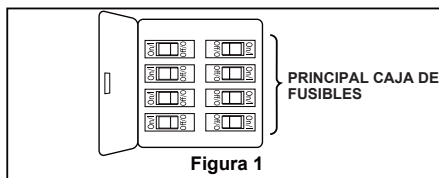
Este ventilador solamente debe montarse en ángulo o de manera estándar. Las opciones de montaje cerrado y al ras no están disponibles. Para techos en ángulo, tenga en cuenta que el ángulo no puede tener más de 20°.

### **⚠ ADVERTENCIA**

Si no coloca la lengüeta en la ranura, podrían dañarse los cables eléctricos y podrían ocurrir incendios o descargas eléctricas.

### **⚠ ADVERTENCIA**

Para evitar una posible descarga eléctrica, no apriete los cables entre el ensamble de la bola para colgar y la abrazadera para colgar.

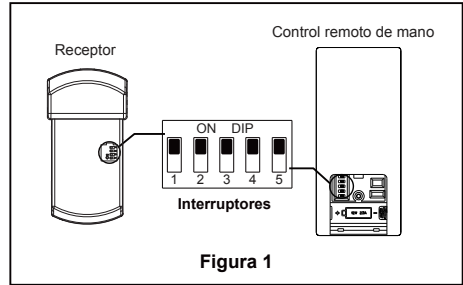


## Cómo realizar la instalación eléctrica del ventilador de techo

**NOTA:** El mando a distancia incluido en este ventilador tiene 32 combinaciones diferentes de códigos. Para evitar posibles interferencias desde o hacia otros mandos a distancia, modifique el código de combinación de su transmisor y receptor.

1. Para configurar el código de unidad del receptor. Deslice los interruptores de código a las mismas posiciones que en el transmisor. (Figura 1)

**NOTA:** Los ajustes de fábricas vienen con todos los interruptores hacia arriba. No utilice esta posición.



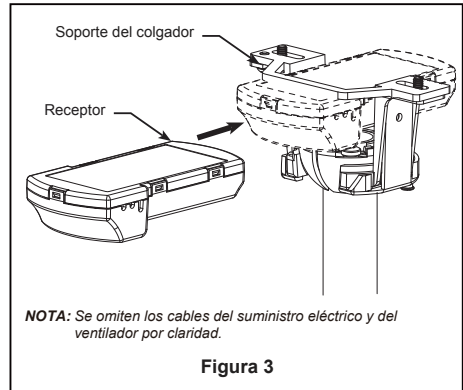
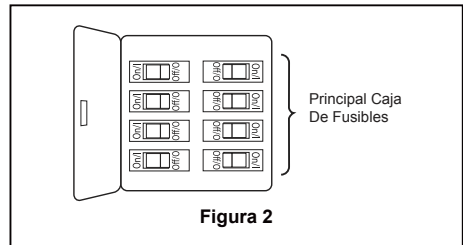
### **⚠ ADVERTENCIA**

Para evitar una posible descarga eléctrica, asegúrese de cortar la alimentación eléctrica de la caja de fusibles principal antes de alambra el ventilador. (Figura 2)

**NOTA:** Si no está seguro de si la caja de salida tiene conexión a tierra, pida consejo a un electricista certificado, ya que debe tener conexión a tierra para un funcionamiento seguro.

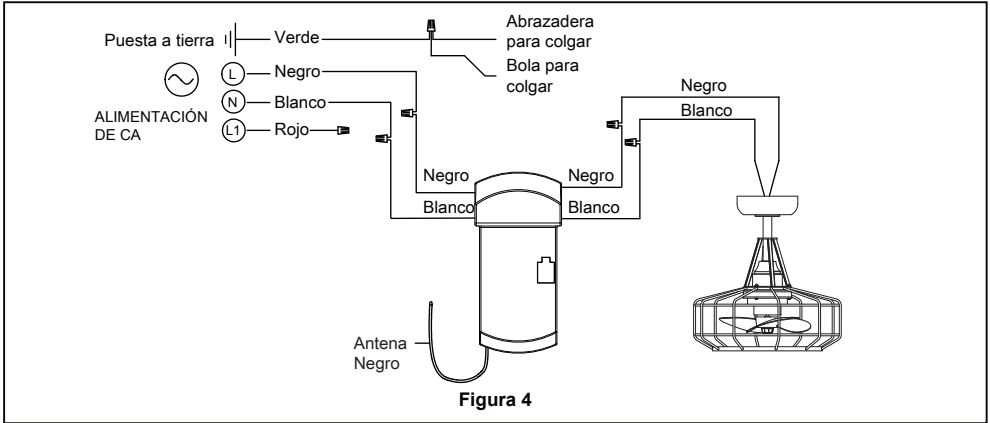
**PRECAUCIÓN:** UNA CONEXIÓN INCORRECTA DEL CABLE PODRÍA DAÑAR ESTE RECEPTOR.

2. Deslice el receptor en el soporte de suspensión antes de realizar el cableado como se muestra en la figura 3.



# Cómo realizar la instalación eléctrica del ventilador de techo (cont.)

**NOTA:** Si no está seguro de si la caja de salida tiene conexión a tierra, pida consejo a un electricista certificado, ya que debe tener conexión a tierra para un funcionamiento seguro.



3. Conecte los conductores verdes de la abrazadera para colgar, bola para colgar y conductor verde del suministro (puesta a tierra) con el conector de cables. Conecte el conductor negro de la unidad receptora marcado "AC IN L" al conductor negro de alimentación con el conector de cables. Conecte el conductor blanco de la unidad receptora marcado "AC IN N" al conductor blanco de alimentación con el conector de cables. Conecte el conductor blanco de la unidad receptora marcado "TO MOTOR N" al conductor blanco del ventilador con el conector de cables incluido con la unidad receptora. Conecte el conductor negro de la unidad receptora marcado "TO MOTOR L" al conductor negro del ventilador con el conector de cables que se adjunta con la unidad receptora. (Figura 4)

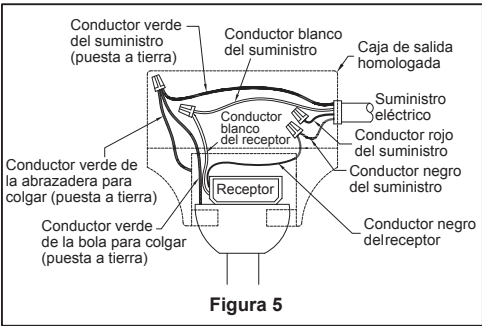
**⚠ ADVERTENCIA**

Verifique que todas las conexiones estén ajustadas, incluida la conexión a tierra, y que no haya conductores desnudos visibles en los conectores. No opere el ventilador hasta que las aspas estén instaladas. Podría ocasionar ruidos y daños al motor.

**Aditamentos utilizados:**

Conectores de cable  x 6

4. Una vez realizadas las conexiones, los cables deben ser colocados de forma extendida poniendo el conductor de la toma de tierra y el conductor de toma de tierra del equipo a un lado de la caja, colocando el conductor sin toma de tierra en el otro lado de la caja. gire los conductores hacia arriba y, con cuidado, colóquelos dentro de la caja de salida; con los conductores blancos y verdes hacia un lado y los conductores negros hacia el otro. (Figura 5)



## Cómo instalar la carcasa de la cubierta

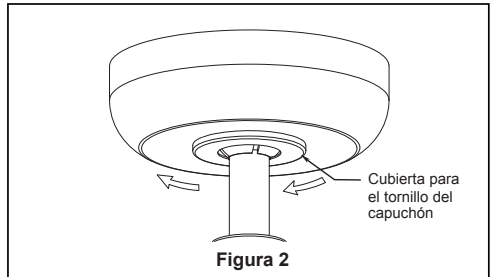
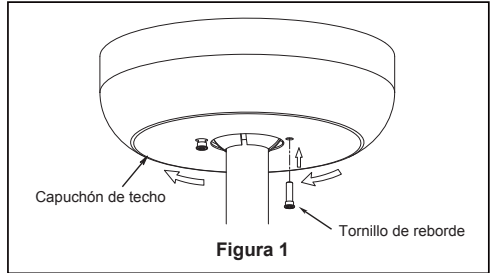
**NOTA:** Este paso se debe realizar luego de completar la instalación eléctrica necesaria.

1. Instale la cubierta rotando la ranura clave en la cubierta sobre el tornillo de hombro del soporte del gancho, teniendo cuidado de no pillar los cables. Fije el tornillo de hombro. Instale adecuadamente y fije el segundo tornillo de hombro que fue anteriormente guardado. (Figura 1)

### **⚠ ADVERTENCIA**

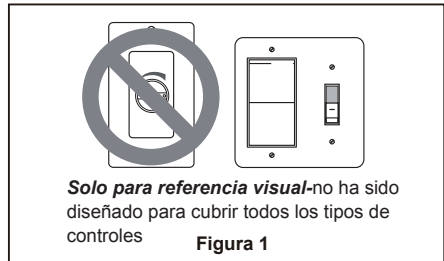
Para evitar posibles incendios o descargas eléctricas, asegúrese de que los cables eléctricos vuelva hacia arriba y completamente empujarse con cuidado en el cuadro de junta y de que no estén aprisioel techo.

2. Coloque y ajuste firmemente la cubierta para el tornillo de la base sobre los tornillos de reborde de la abrazadera para colgar mediante el mecanismo de seguro por giro del chavetero. (Figura 2)



## Cómo utilizar su ventilador de techo

1. **IMPORTANTE:**  
El uso de un regulador de la intensidad completa (no incluido) para controlar la velocidad del ventilador dañará el dispositivo. Para reducir el riesgo de incendio o descarga eléctrica, no utilice dicho regulador para controlar la velocidad del ventilador. (Figura 1)
2. Restablezca la fuente de alimentación de la toma de corriente encendiendo la electricidad del fusible principal. (Figura 2)

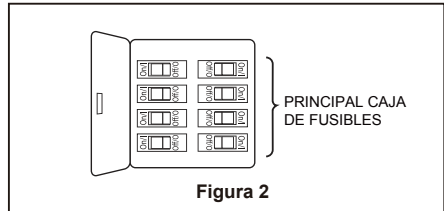


### **⚠ ADVERTENCIA**

Compruebe que todas las conexiones realizadas correctamente, incluyendo la toma de tierra, y que no se visualizan ningún cable pelado en los conectores de cables, con la excepción del cable de toma de tierra. No utilice el ventilador hasta que las palas estén colocadas en su lugar, ya que de lo contrario se podría causar ruido y daños.

### **⚠ ADVERTENCIA**

No utilice este ventilador con un controlador variable de pared (Rheostat) o un regulador de intensidad. Si lo hiciera podría dañar la unidad del mando a distancia del ventilador de techo.



## Cómo utilizar su ventilador de techo (cont.)

3. Para que el ventilador sea funcional, instale las pila (incluidas) de 23A/12V en el transmisor del mando a distancia. Mientras el ventilador esté apagado. A continuación, siga el proceso de fijación remota de código. Si no se utiliza el ventilador durante un largo periodo de tiempo, extraiga la batería para evitar cualquier daño al transmisor. Almacene el mando a distancia en un lugar alejado del calor o la humedad excesiva. (Figura 3)

**NOTA:** El mando a distancia incluido en este ventilador tiene 32 combinaciones diferentes de códigos. Para evitar posibles interferencias desde o hacia otros mandos a distancia, modifique el código de combinación de su transmisor y receptor.

4. Para configurar el código del mando a distancia a las mismas posiciones que en el receptor. Mueva los interruptores de código hasta colocar el código de selección en la posición arriba o abajo. Con un destornillador pequeño o con una lapicera (no se incluye) deslice firmemente hacia arriba o hacia abajo. (Figura 4)

**NOTA:** Los ajustes de fábrica vienen con todos los interruptores hacia arriba. No utilice esta posición.

5. Funciones del control remoto: (Figura 5)

- • • Luz LED del indicador: Velocidad del ventilador
- Botón: Apaga el ventilador.
- Velocidad del ventilador:
  - △ Enciende el ventilador y aumenta la velocidad.
  - ▽ Enciende el ventilador y disminuye la velocidad.
- Botón de la lámpara: **(Sin función)**
- Temporizador de apagado automático:

1hr Pulse y el ventilador se apagará tras 1 hora.

3hr Pulse y el ventilador se apagará tras 3 hora.

6hr Pulse y el ventilador se apagará tras 6 hora.

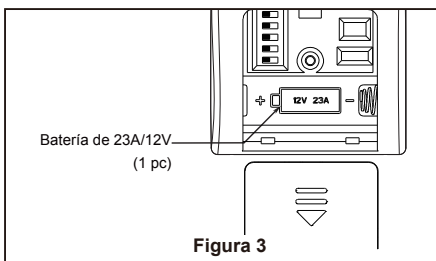


Figura 3

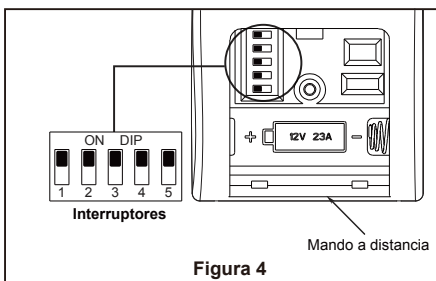


Figura 4

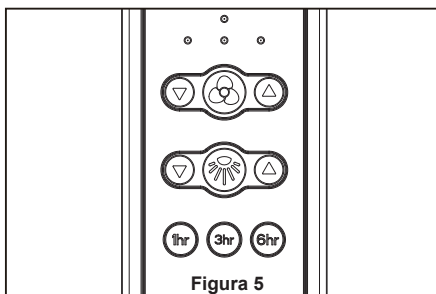
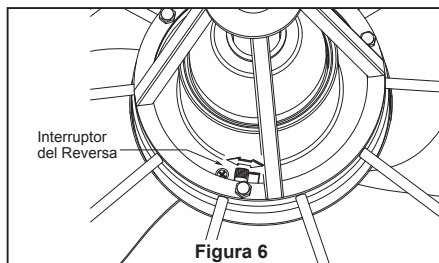


Figura 5

## Cómo utilizar su ventilador de techo (cont.)

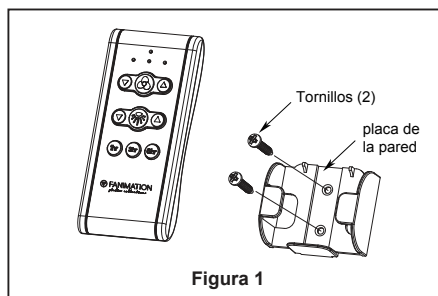
6. Si se desea que el flujo del aire vaya en la dirección opuesta, apague el ventilador y espere a que se detengan las palas. Deslice la carcasa de la cubierta para visualizar el interruptor del reverso. Deslice el interruptor del reverso ubicado en la parte superior del motor hacia la posición opuesta y encienda de nuevo el ventilador. (Figura 6)



Información sobre el interruptor de reversa		
Temporada	Dirección de rotación	Posición del interruptor
Verano	En dirección de las manecillas del reloj	Derecha
Invierno	En dirección contraria a las manecillas del reloj	Izquierda

## Cómo instalar su mando a distancia

1. **Instalación de la placa de la pared:** (Figura 1)  
Fije la placa de la pared usando los dos tornillos suministrados.



## Mantenimiento

El único mantenimiento necesario para el ventilador de techo es una limpieza periódica.

Al llevar a cabo la limpieza, use sólo un cepillo suave o un paño sin pelusas, para evitar rayar el acabado.

No se requieren agentes abrasivos de limpieza; los mismos deben evitarse para prevenir daños en el acabado.

### PRECAUCIÓN

No utilice solventes para limpiar el ventilador de techo. Podrían dañar el motor o las aspas y ocasionar posibles descargas eléctricas.

## Solución de problemas

### **⚠ ADVERTENCIA**

Para su propia seguridad, desconecte la electricidad de la caja de fusibles o disyuntor antes de solucionar problemas en su ventilador.

<b>Problema</b>	<b>Causa posible</b>	<b>Solución sugerida</b>
<b>1. EL VENTILADOR NO ARRANCA</b>	<p>1. El fusible o el disyuntor están fundidos.</p> <p>2. Las conexiones eléctricas del ventilador o del interruptor en la caja del interruptor están flojas.</p> <p>3. El conmutador inversor se encuentra en posición neutra.</p> <p>4. Pila agotada del mando a distancia.</p>	<p>1. Controle los fusibles del circuito principal y derivado o los disyuntores.</p> <p>2. Controle las conexiones eléctricas del ventilador y del interruptor en las cajas de los interruptores.</p> <p><b>PRECAUCIÓN: ¡Asegúrese de que el suministro principal de electricidad esté desconectado!</b></p> <p>3. Asegúrese de que el conmutador inversor esté completamente a un lado.</p> <p>4. Sustituir con una pila nueva.</p>
<b>2. EL VENTILADOR HACE RUIDO</b>	<p>1. Hay tornillos flojos en la caja del motor.</p> <p>2. Los conectores de cables dentro de la caja hacen ruido.</p> <p>3. Ruido del motor provocado por el control de velocidad de estado sólido variable.</p>	<p>1. Asegúrese de que todos los tornillos de la caja del motor estén bien ajustados (pero no en exceso).</p> <p>2. Asegúrese de que los conectores de cables en la caja del interruptor no produzcan ruido al rozar unos con otros o al rozar la pared interior de la caja del interruptor.</p> <p><b>PRECAUCIÓN: ¡Asegúrese de que el suministro principal de electricidad esté desconectado!</b></p> <p>3. Algunos motores de ventilador son sensibles a las señales de los controles de velocidad de estado sólido variables. Los controles de estado sólido no son recomendables. Escoja un método de control alternativo.</p>
<b>3. EL VENTILADOR OSCILA EN EXCESO</b>	<p>1. El tornillo de fijación y la tuerca del soporte de barral están flojos.</p> <p>2. El tornillo de fijación en la unidad del barral/de la semiesfera está flojo.</p> <p>3. La bola colgante con ranura no está alineada con la pestaña.</p> <p>4. El soporte de suspensión o la caja de distribución eléctrica del techo no están bien asegurados.</p>	<p>1. Ajuste bien los dos tornillos de fijación y las tuercas en el soporte de barral.</p> <p>2. Ajuste el tornillo de fijación en la unidad del barral/de la semiesfera.</p> <p>3. Vuelva a colgar la bola colgante para asegurar la pestaña en la ranura.</p> <p>4. Ajuste los tornillos del soporte de suspensión de la caja de distribución eléctrica y asegúrela.</p>
<b>4. NO HAY SUFICIENTE MOVIMIENTO DE AIRE</b>		<p>1. Si es posible, considere el uso de un barral más largo. Por ejemplo {</p>

## Lista de piezas

N.º de Ref.	Descripción	Pieza # N.º
1	Unidad del soporte de suspensión	AP307001BL
2	Unidad del barral/de la semiesfera	ADRAC4GT1-8**
3	Capuchón de techo	PPTL1002**
4	Cubierta para el tornillo del capuchón	APPTL1101**
5	Ribete Decorativo Superior	P307101**
6	Cubierta de unión del motor	APPTL1401**
7	Unidad del motor	AMA3071**
8	Receptor	RCCA030040006
9	Mano a distancia	TR500S
10	Conectores de cables (4)	HDWWNUTS4

*\*\*Inserte los CÓDIGOS DE ACABADO (consulte el número de modelo del ventilador que se encuentra en el soporte de barra)*

**Antes de desechar los materiales de embalaje, asegúrese de haber extraído todas las piezas**

### Cómo hacer un pedido de piezas

Al hacer un pedido de piezas de repuesto, proporcione siempre la siguiente información:

- Número de modelo del ventilador
- Número de pieza
- Descripción de la pieza
- Código de fecha

## Ilustración del despiece

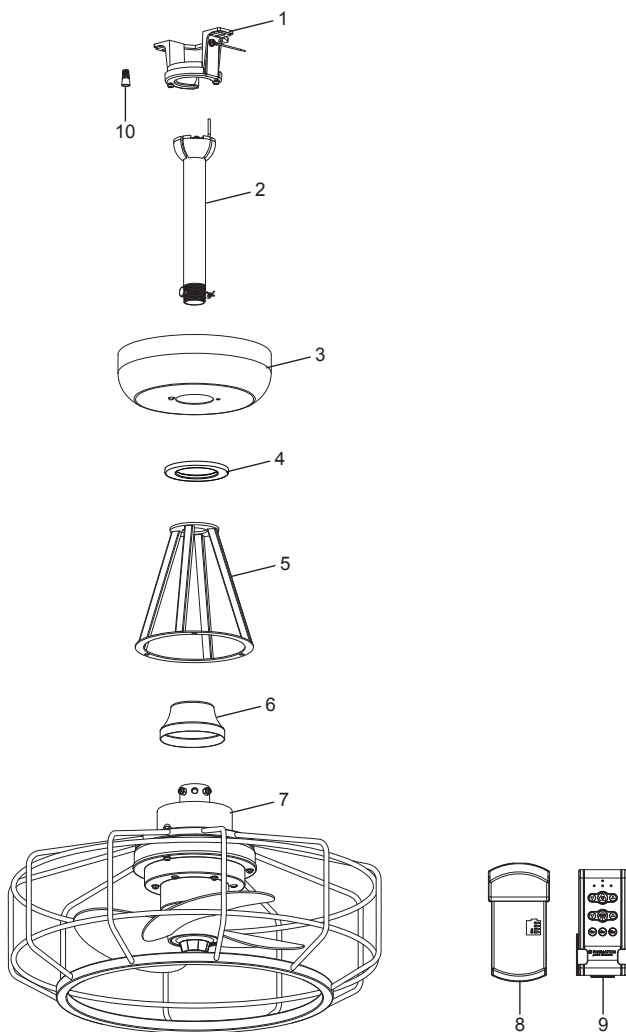


Figura 1

**NOTA:** La ilustración que se muestra no está hecha a escala y su configuración real o las terminaciones puede variar