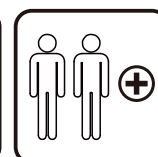
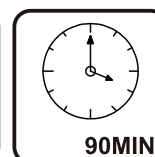
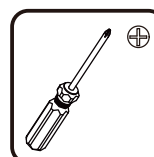
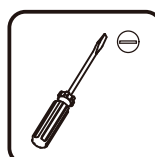
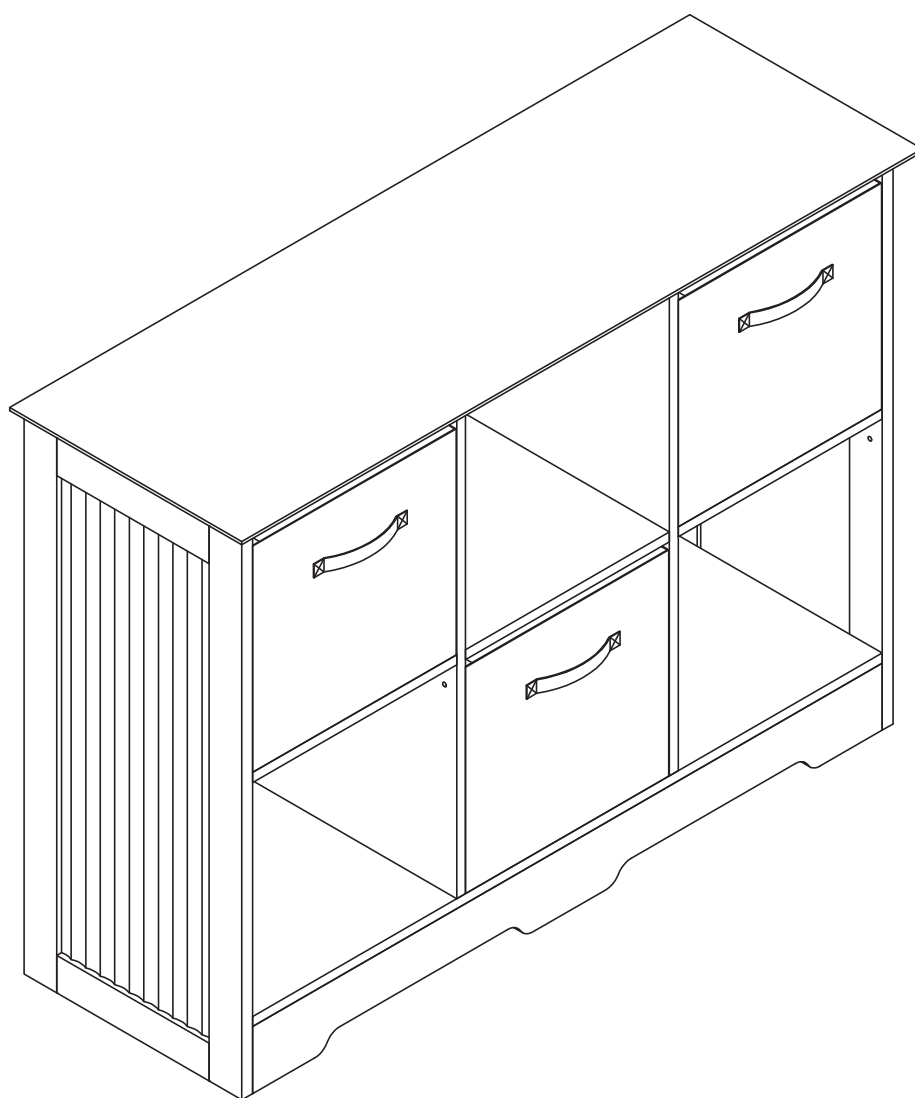


Installation & Assembly

Version:1.0



EN_IMPORTANT, RETAIN FOR FUTURE REFERENCE: READ CAREFULLY.

. THANK YOU FOR PURCHASE! .

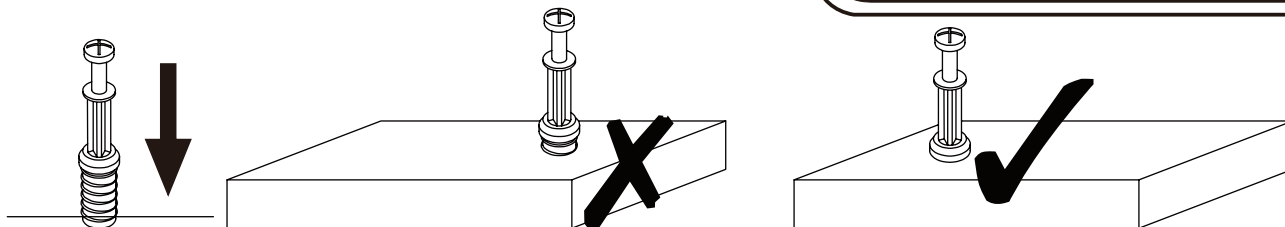
FREE REPLACEMENT PARTS AVAILABLE!

---NEED HELP WITH YOUR FURNITURE?---

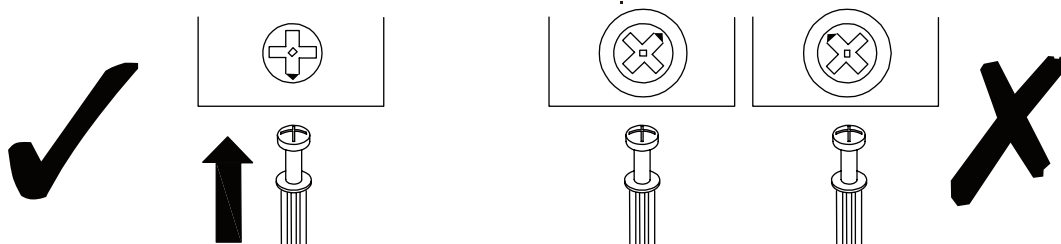
If you're experiencing any issues—whether due to shipping, assembly, or any other reason
—we're here to help.

For any damaged or missing components, we're happy to provide FREE replacement parts.

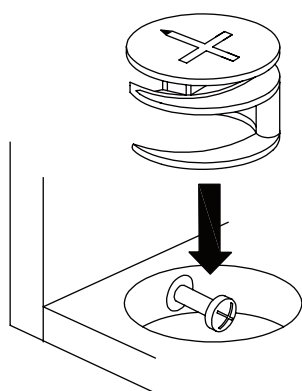
Our customer support team is ready to assist you and we will respond within
12-24 HOURS to resolve your concerns quickly!



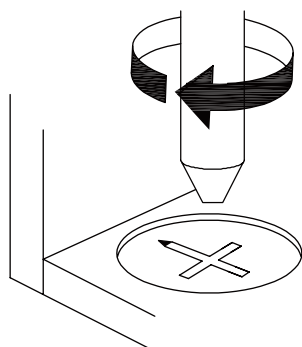
EN_QUICKFIT: Tighten quickfit until shoulder is flush with panel. Do not overtighten or undertighten.



EN_CAM LOCK: When fitting cam lock, ensure starting position is correct before you insert connecting quickfit.

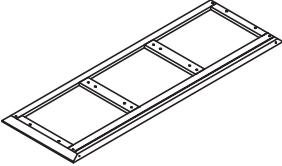
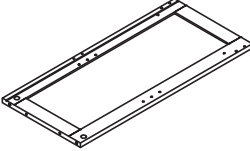
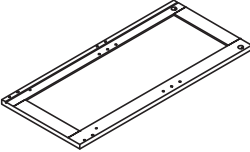
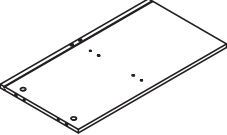
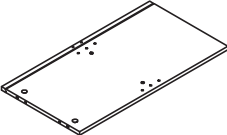
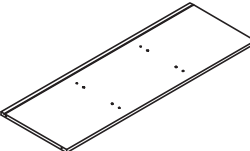
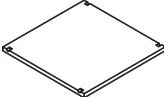
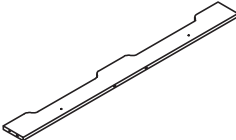
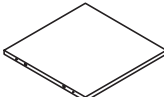
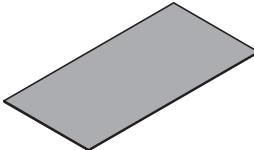


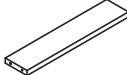
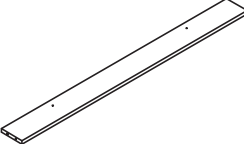
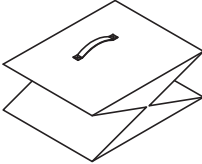
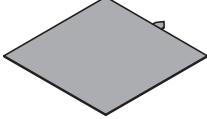

EN_Quickfit head should be in the centre of the cam lock when the two panels are joined.
Cam lock should be inserted before quickfit.

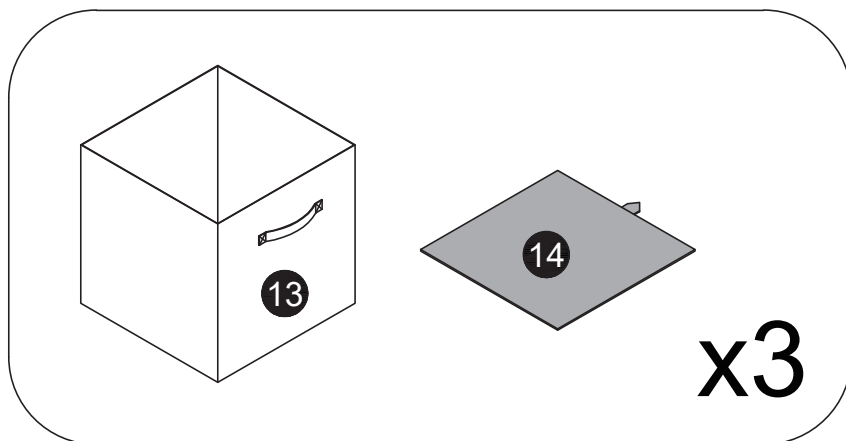
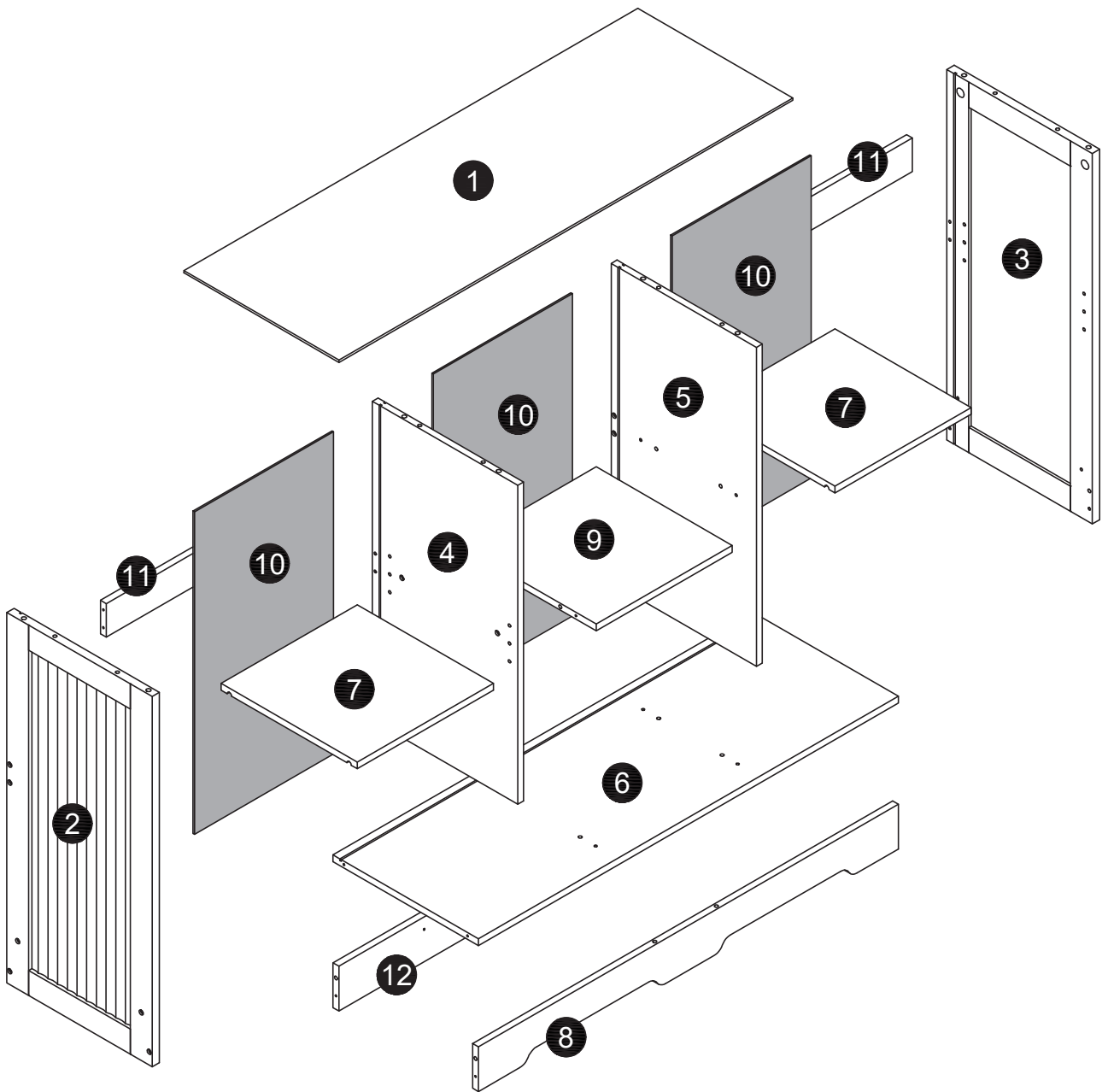









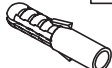





EN_Turn cam lock clockwise to tighten.



PACKING DETAILS

NO.	PARTS	QTY	SPARE
①		x1	
②		x1	
③		x1	
④		x1	
⑤		x1	
⑥		x1	
⑦		x2	
⑧		x1	
⑨		x1	
⑩		x3	

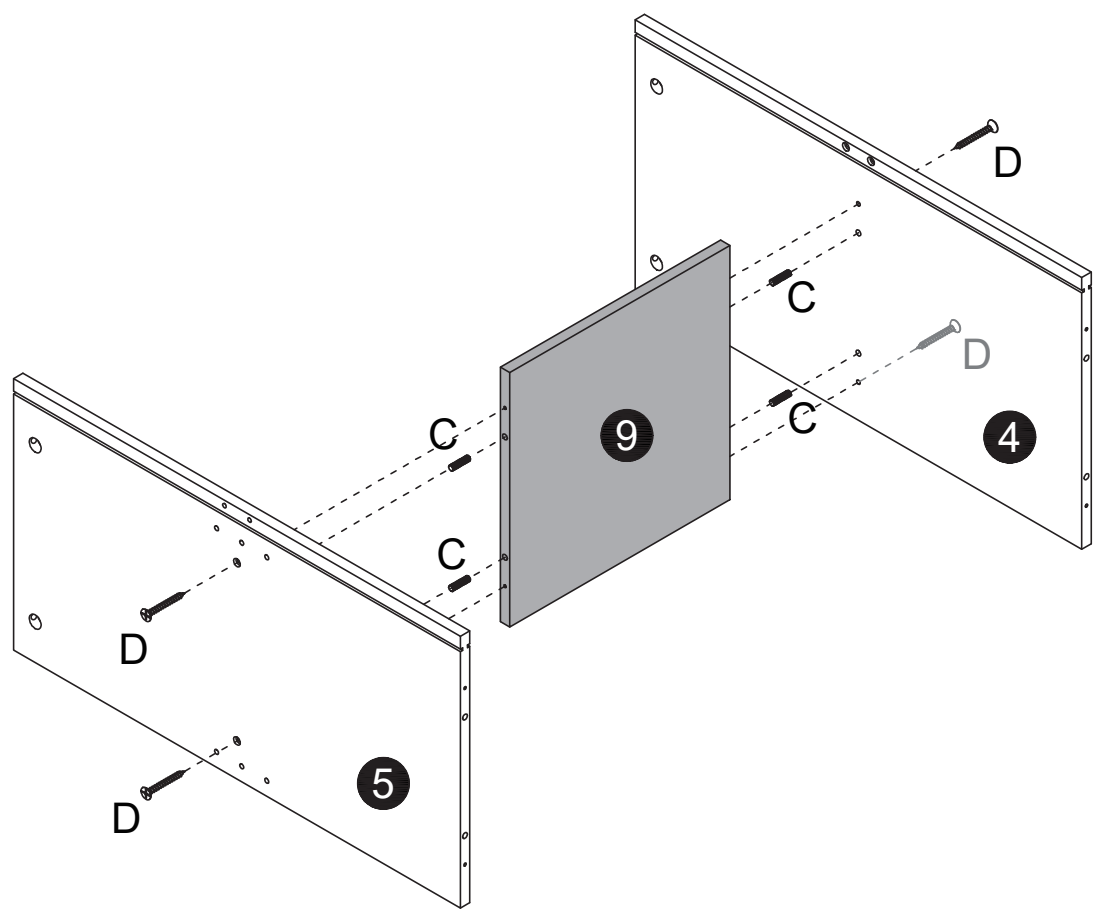
NO.	PARTS	QTY	SPARE
⑪		x2	
⑫		x1	
⑬		x3	
⑭		x3	
	 Hardware Kit	x1	



 <p>A x8 Ø6x35mm</p>	 <p>B x8 Ø15x10mm</p>	 <p>C x24 Ø6x30mm +2(spare)</p>	 <p>D x26 Ø4x35mm +2(spare)</p>	 <p>E x8 Ø3.5x12mm +1(spare)</p>	 <p>F x4</p>
 <p>G x8</p>	 <p>H x2 Ø6x30mm</p>	 <p>I x20 +2(spare)</p>	  <p>J x12 Ø3x16mm +1(spare)</p> <p>J-1 J-2</p>	  <p>K x2 Ø4x14mm</p> <p>K-1 K-2</p>	

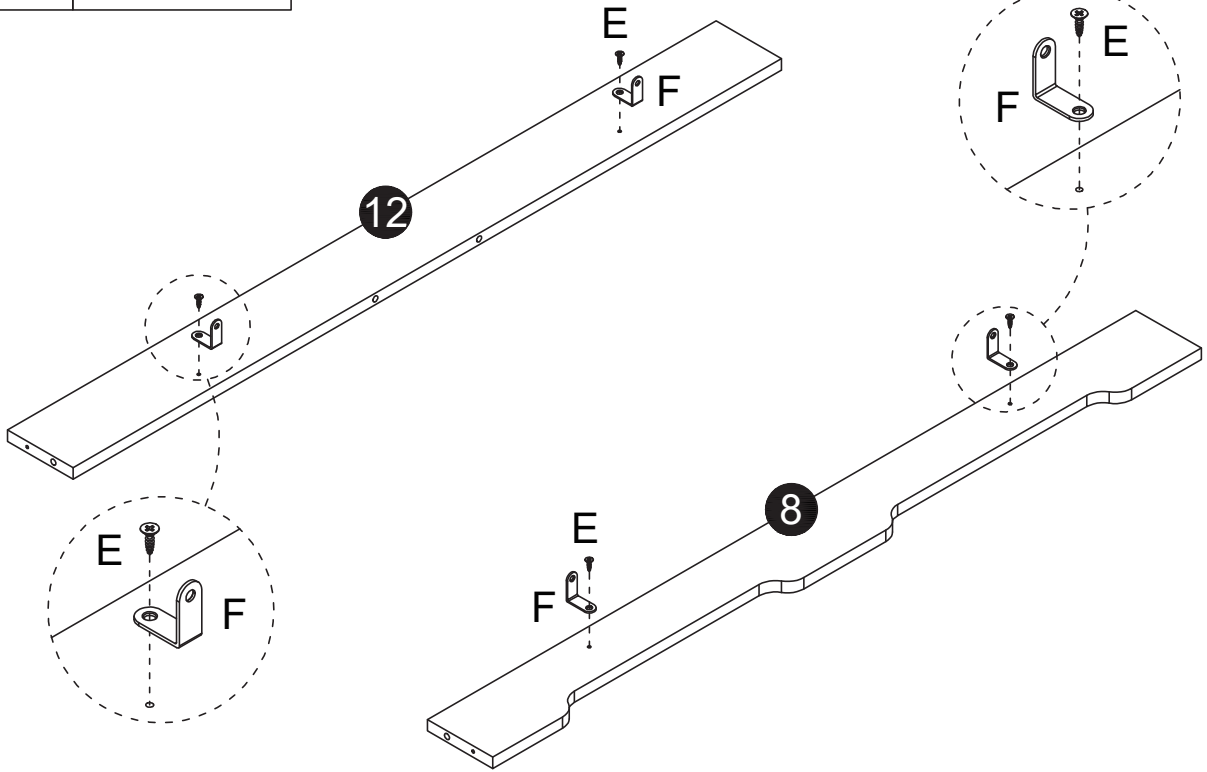
 <p>C x4</p>	 <p>D x4</p>
--	--

01



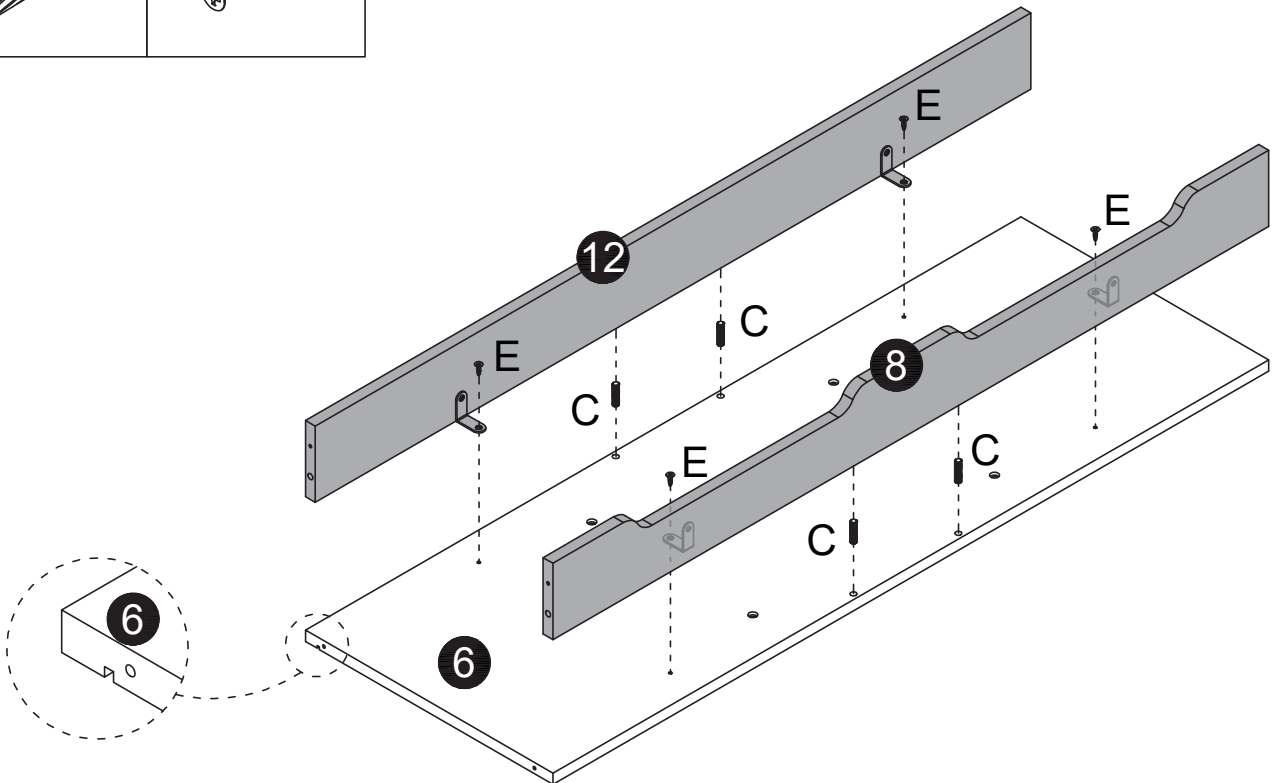
E x4

F x4



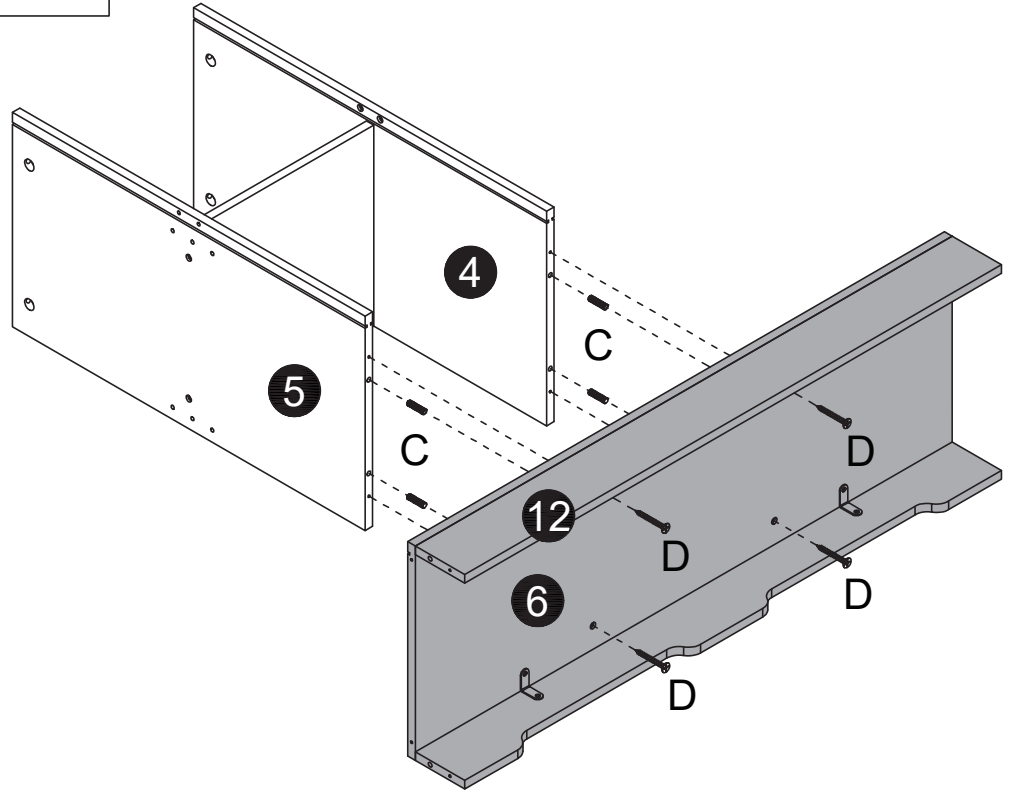
C x4

E x4



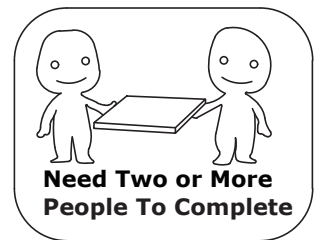
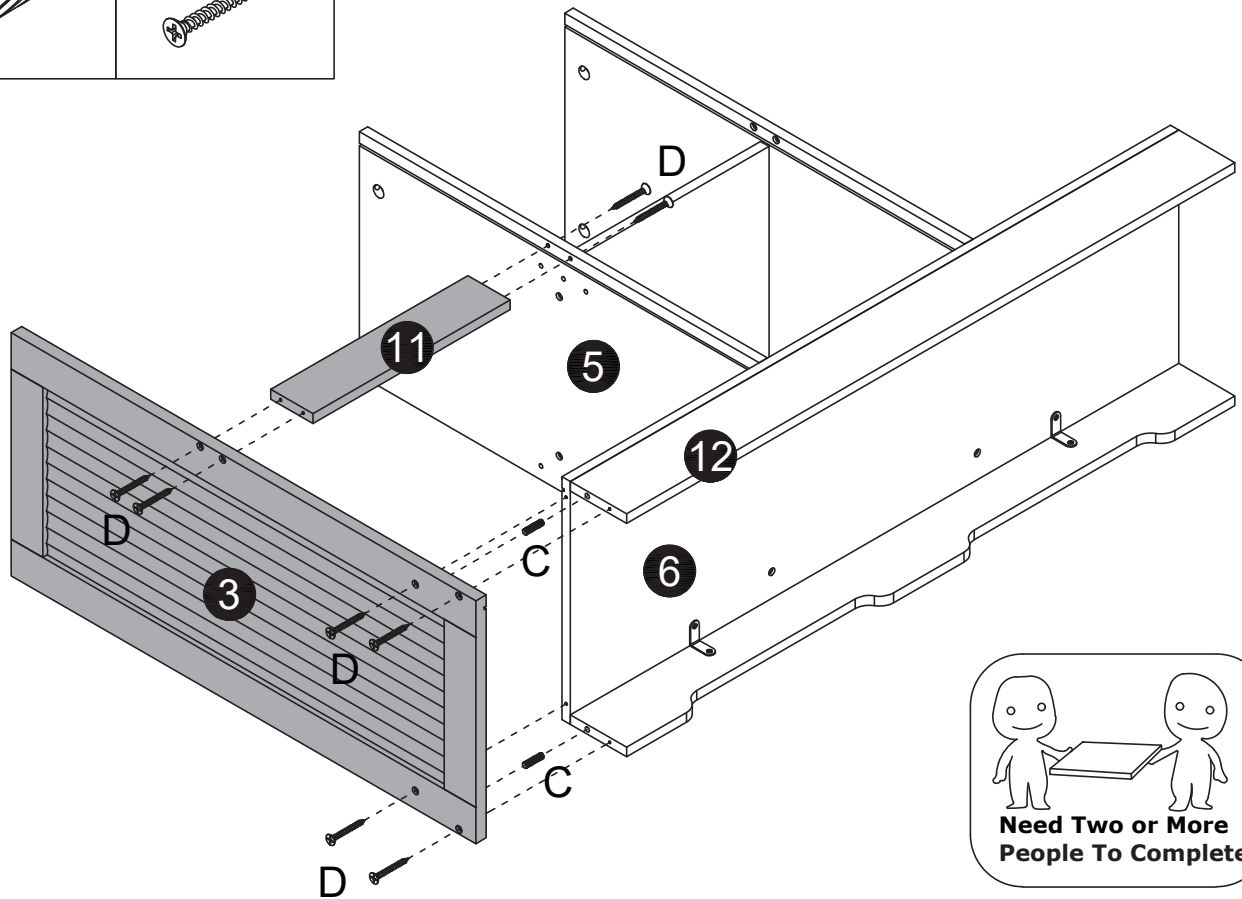
C x4

D x4



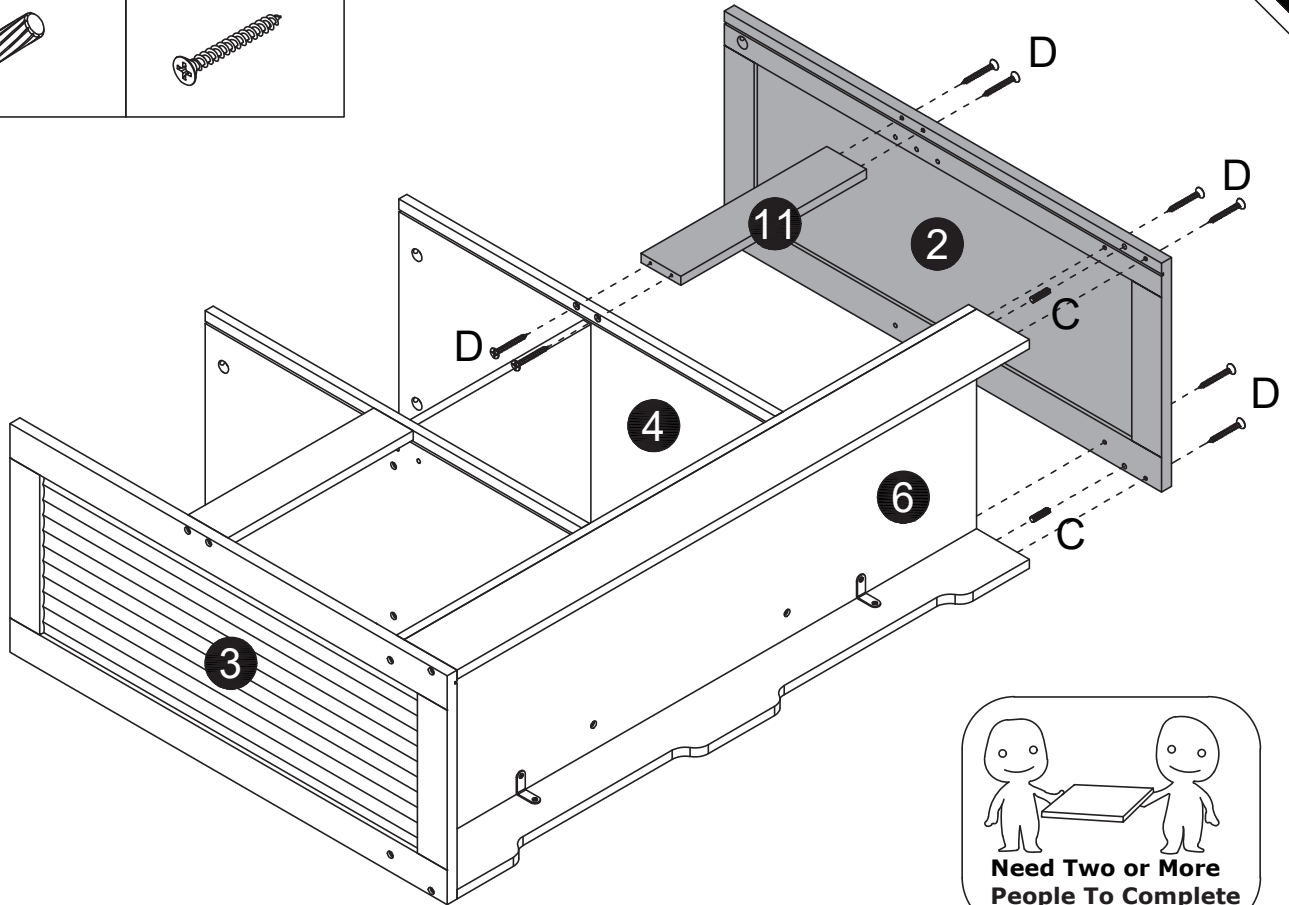
C x2

D x8

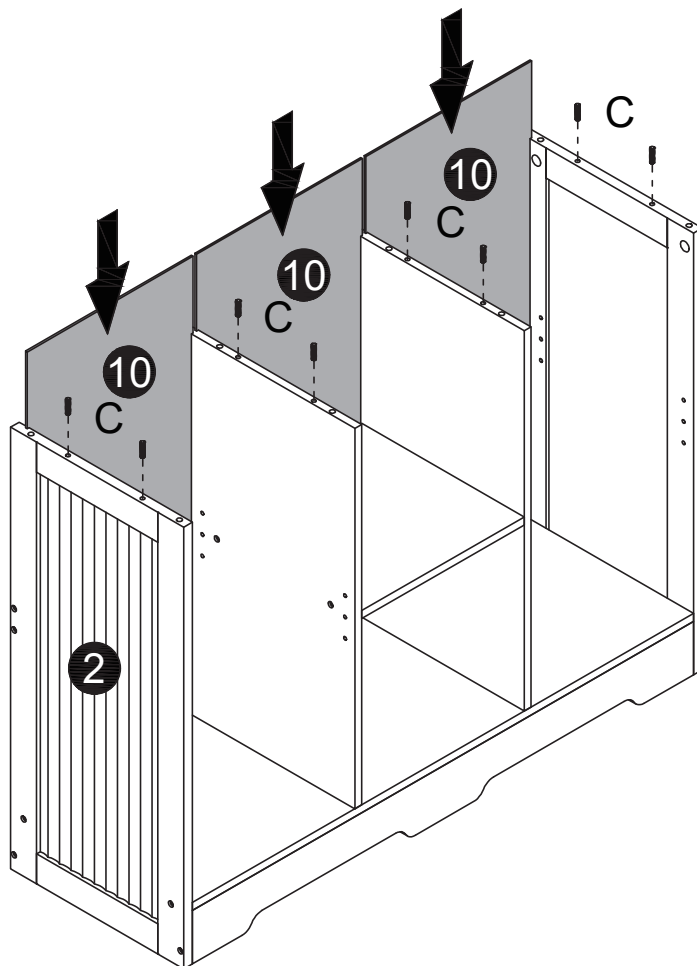


C x2

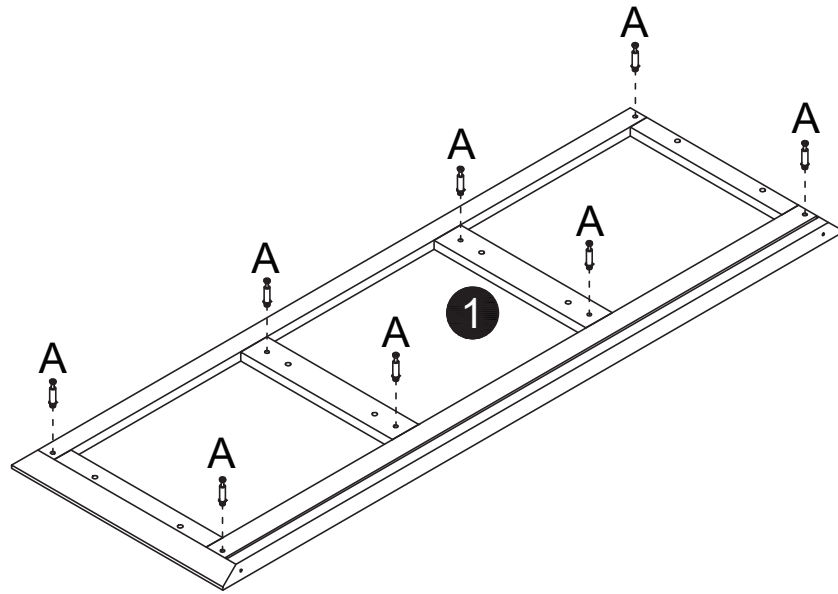
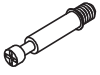
D x8



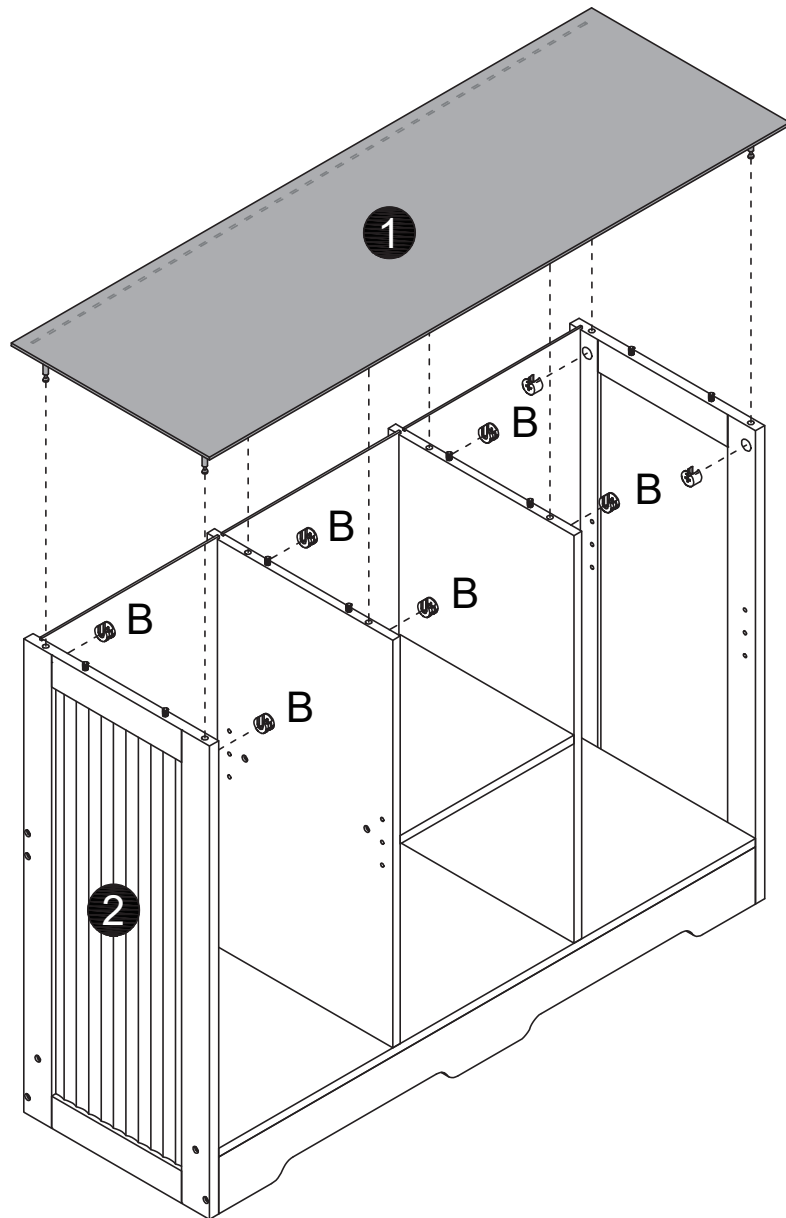
C x8



A x8

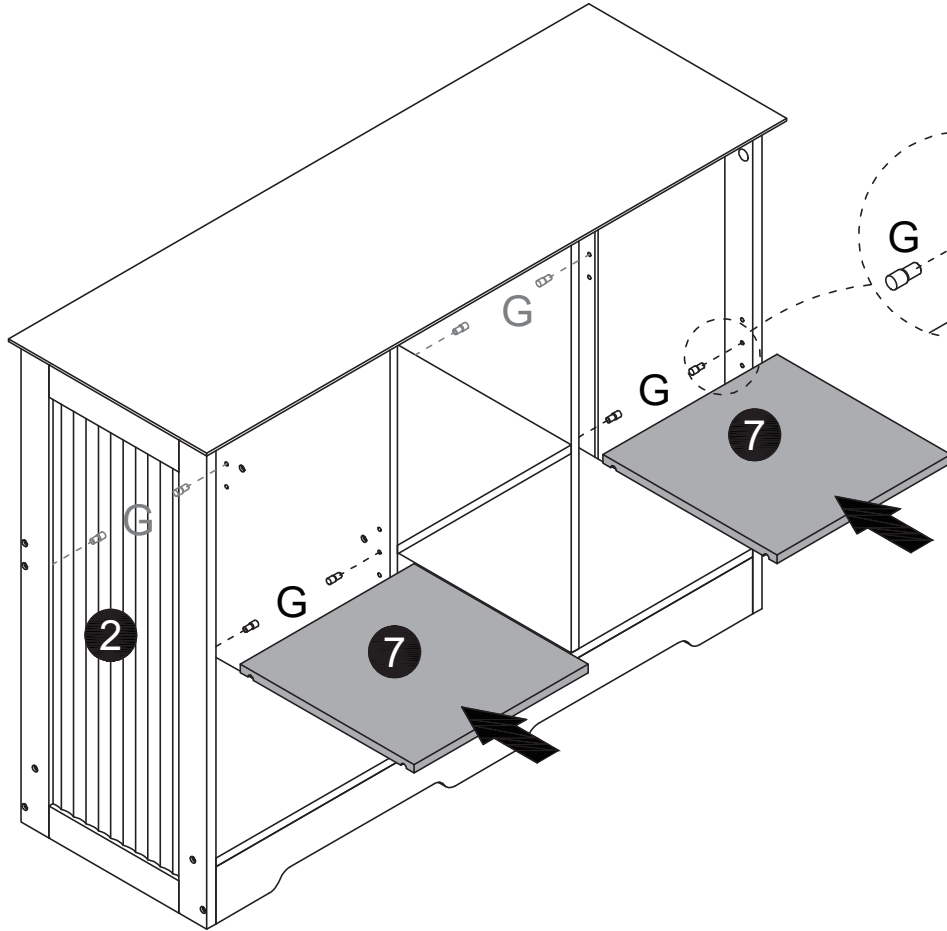


B x8



G x8

10



J x12

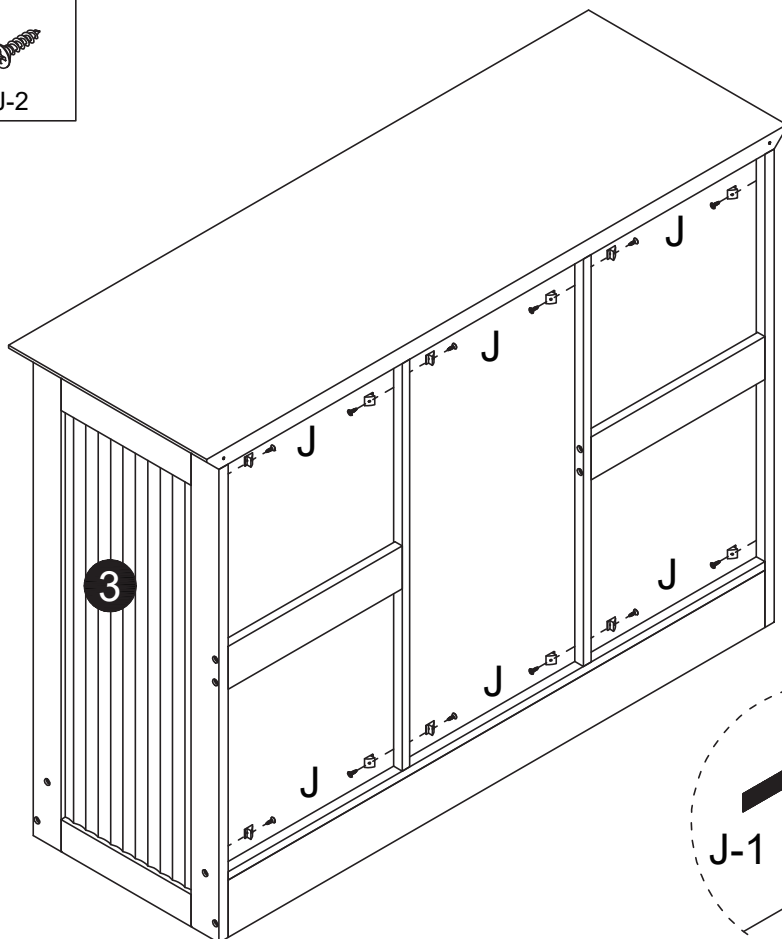
11



J-1

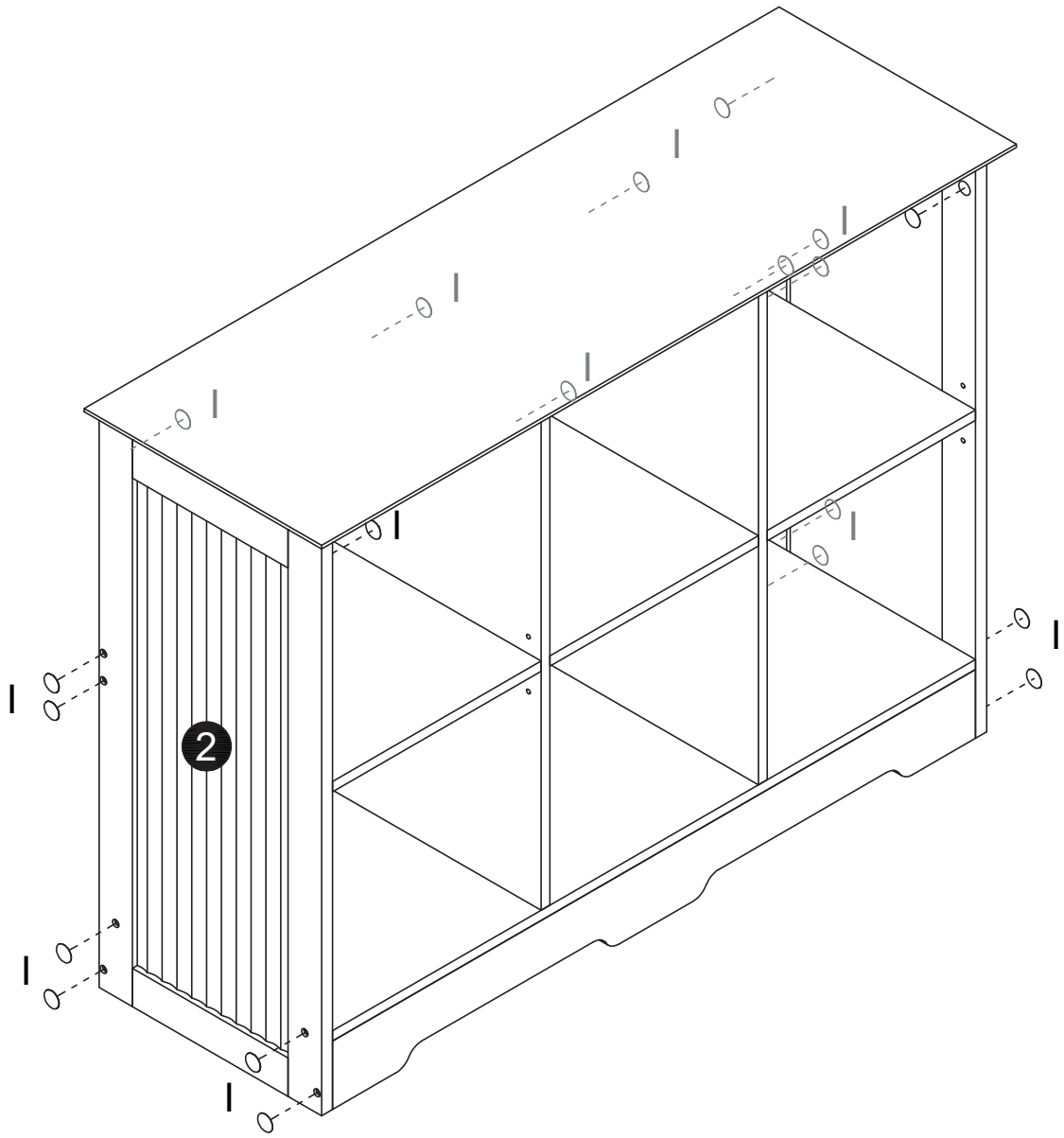


J-2

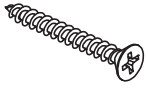


J-2

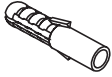
J-1



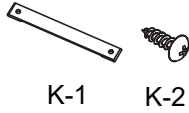
D x2



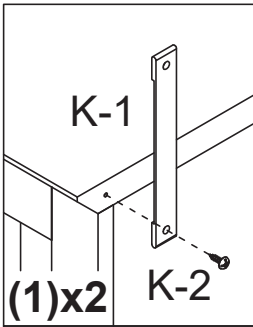
H x2



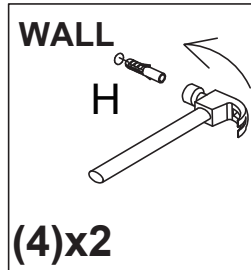
K x2



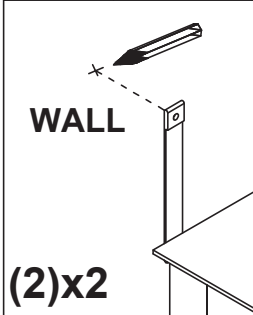
K-1 K-2



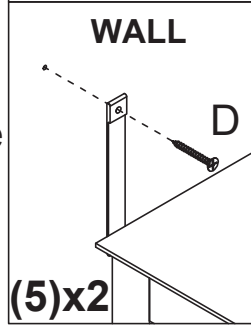
First fix the anti-rewind screw in the reserved hole of the product.



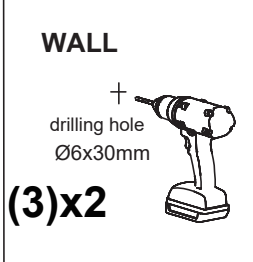
Then, put the expansion bolt into the hole



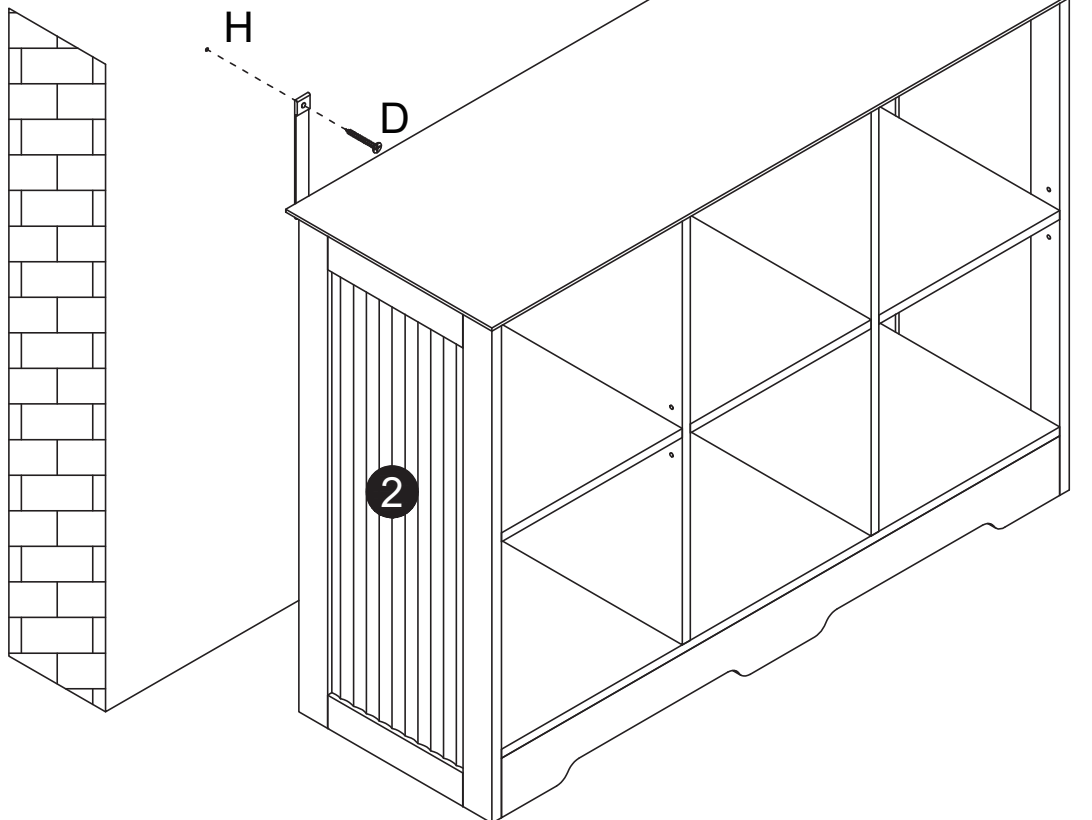
then, use a ruler to measure the approximate height of the product on the wall, and then mark it with a pen.

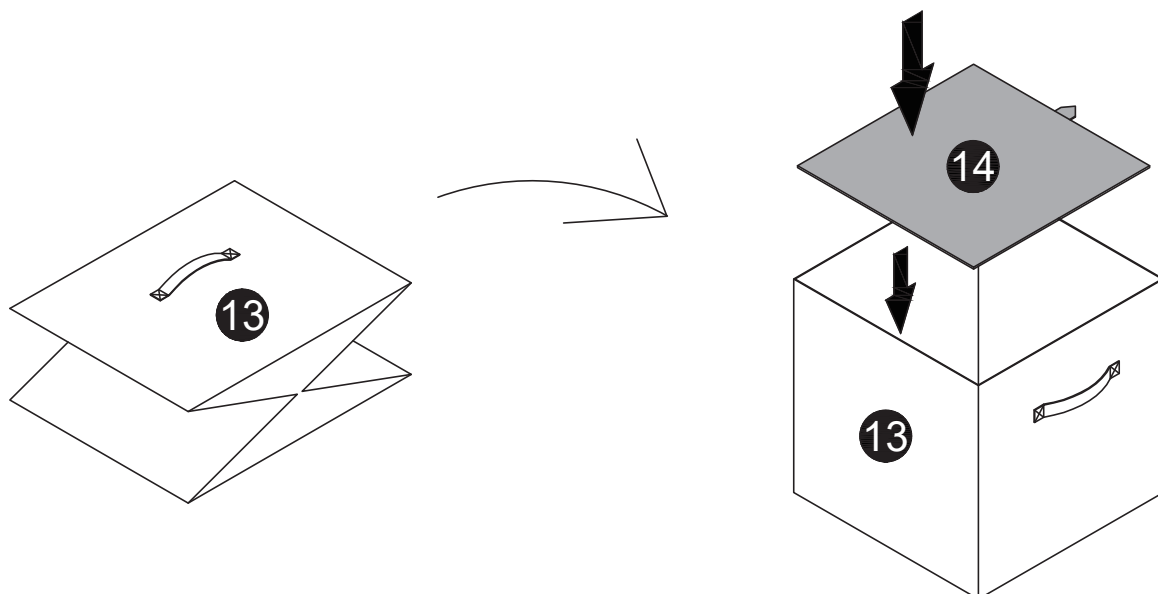


Finally, pass the matching screws through the "anti-rewind" and tighten them to fix them on the wall.



Then use a tape drill to make holes in the wall that are suitable for the product screws.





You can choose to place the cloth drawer in any compartment according to your needs.

