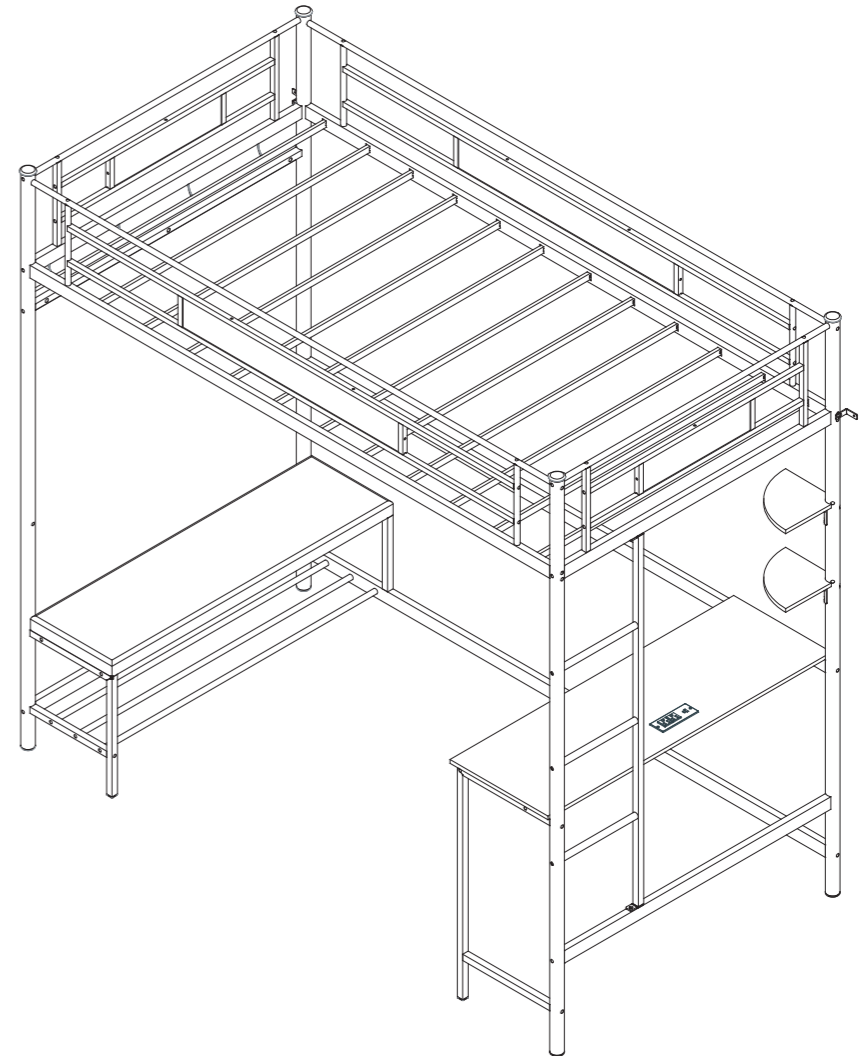
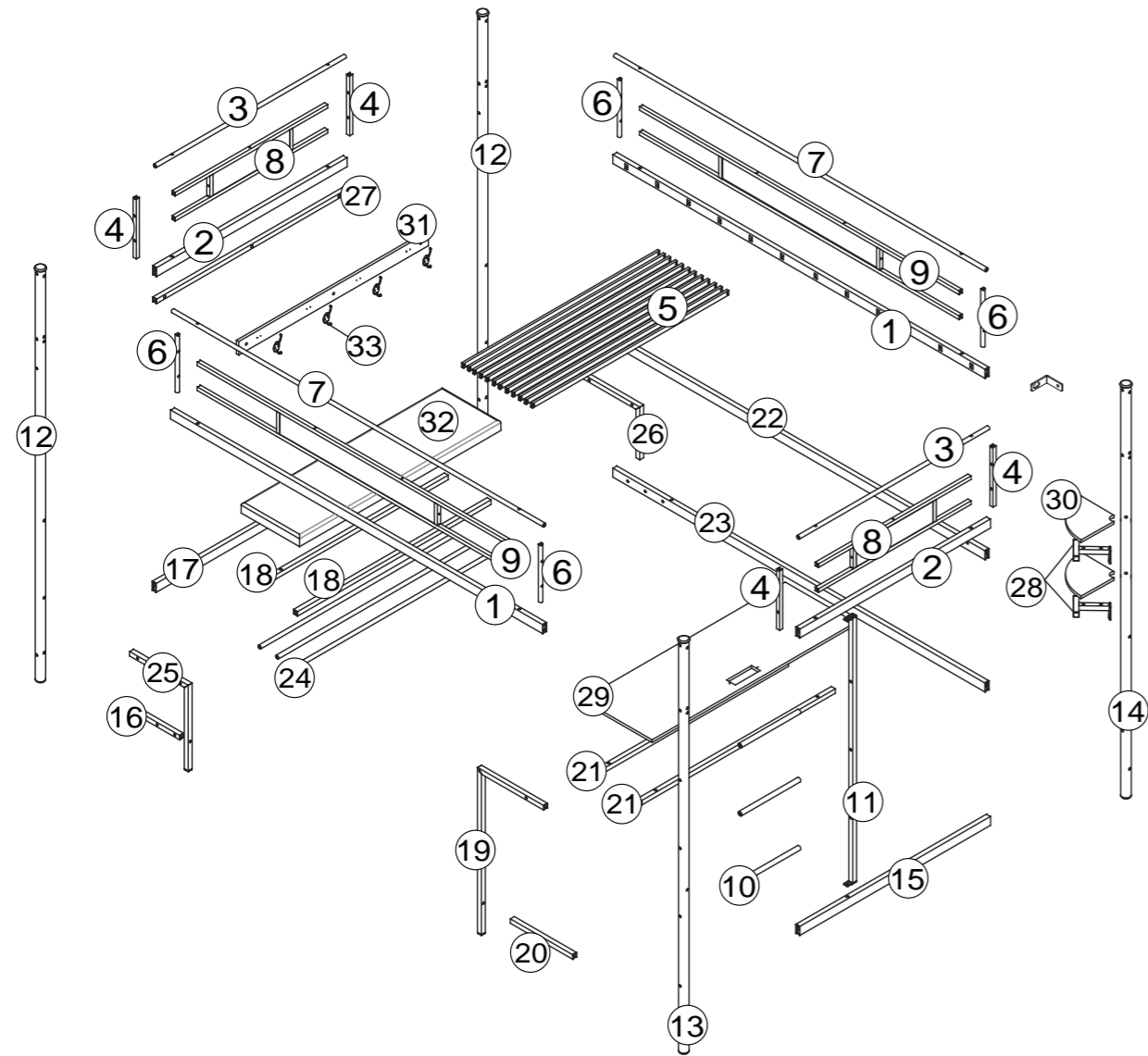


BED FRAME



Thank you for choosing our products, please assemble and use it following the instructions.

Assembly Instruction



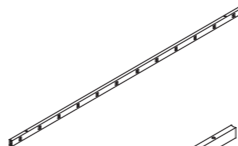


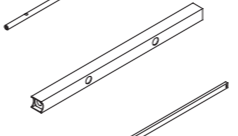
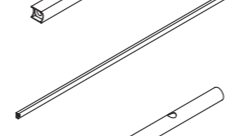
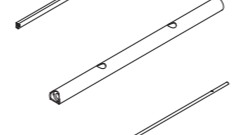

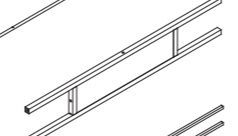
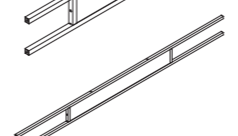
B437

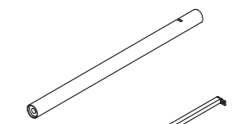
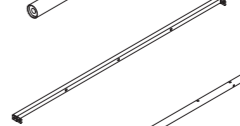
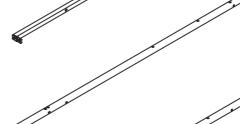
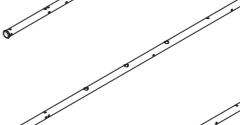
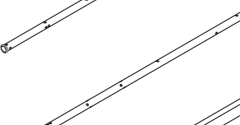
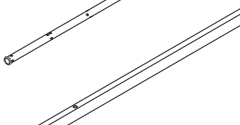
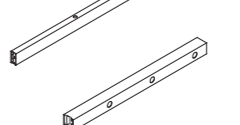
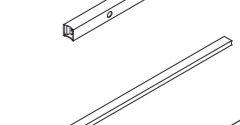


Important Note

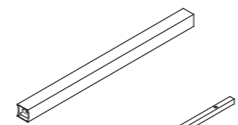

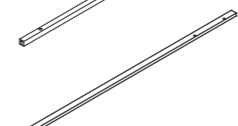


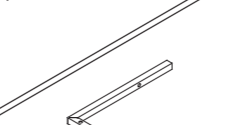
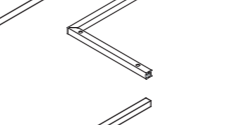
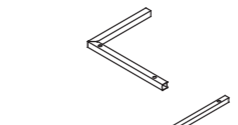
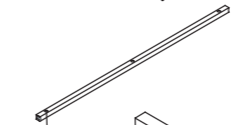
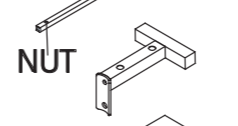
HARDWARE NOTE :

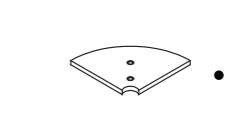
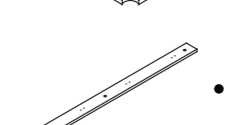
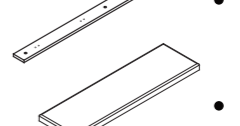
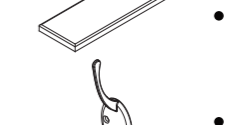




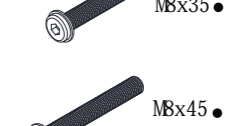
1. Two or more people are required for assembly
2. Do not screw on the bolts too tight unless the installation is done. Make sure all bolts are tightly screwed before you use it.

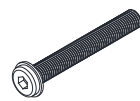


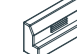



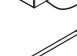

Components

-  ① x2pcs
-  ② x2pcs
-  ③ x2pcs
-  ④ x4pcs
-  ⑤ x12pcs
-  ⑥ x4pcs
-  ⑦ x2pcs
-  ⑧ x2pcs
-  ⑨ x2pcs

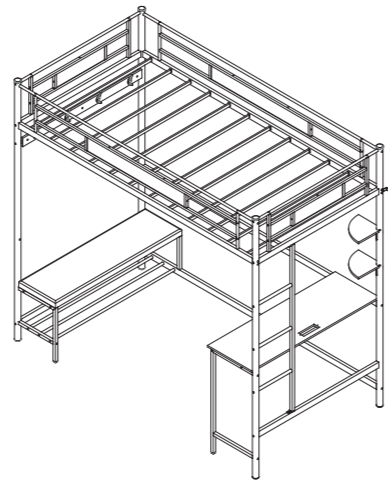
-  ⑩ x3pcs
-  ⑪ x1pc
-  ⑫ x2pcs
-  ⑬ x1pc
-  ⑭ x1pc
-  ⑮ x1pc
-  ⑯ x1pc
-  ⑰ x1pc
-  ⑱ x2pcs
-  ⑲ x1pc

-  ⑳ x1pc
-  ㉑ x2pcs
-  ㉒ x1pc
-  ㉓ x1pc
-  ㉔ x3pcs
-  ㉕ x1pc
-  ㉖ x1pc
-  ㉗ x1pc
-  ㉘ x2pcs
-  ㉙ x1pc

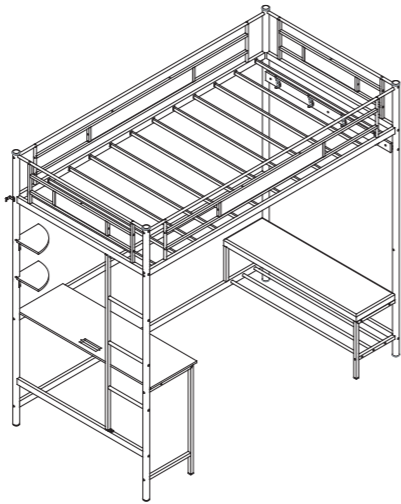
-  ⑳ x2pcs
-  ㉑ x1pc
-  ㉒ x1pc
-  ㉓ x4pcs
-  A x5pcs
-  B x16pcs
-  C x8pcs
-  D x34pcs
-  E x2pcs

-  M8x55 •••••••••• **F** x44pcs
-  ST3x16 •••••••••• **G** x8pcs
-  ST4x14 •••••••••• **H** x2pcs
-  •••••••••• **I** x24pcs
-  M8 •••••••••• **J** x1pc
-  •••••••••• **K** x1pc
-  •••••••••• **U** x1pc
-  •••••••••• **Y** x2pcs
-  •••••••••• **Z** x2pcs

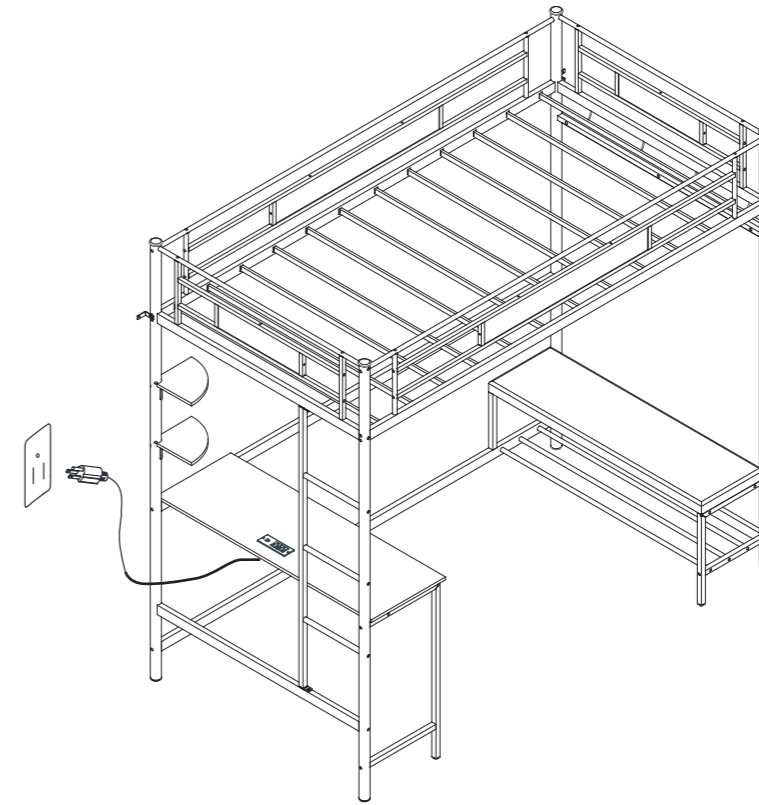
TYPE 1



TYPE 2

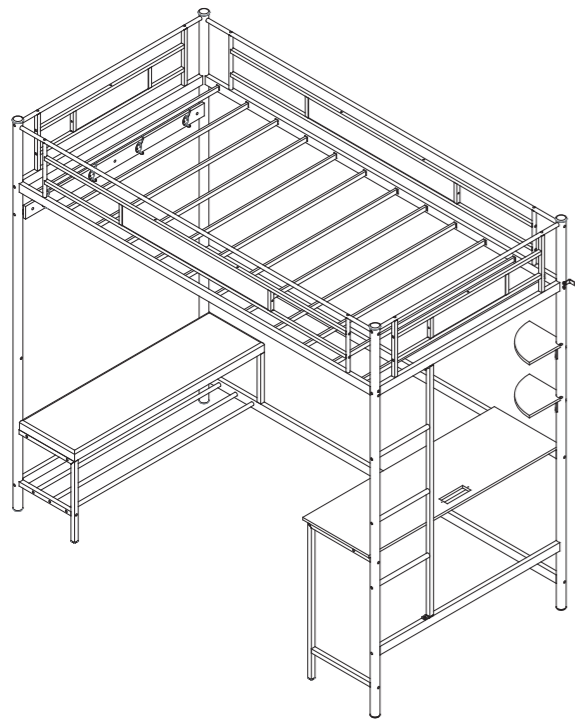


Finish

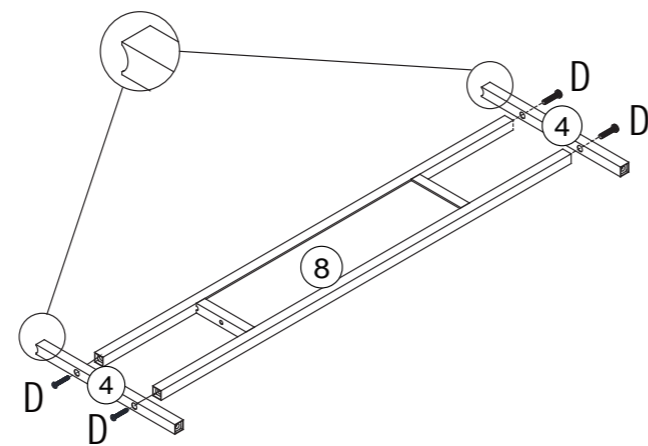


Note: Now you can tighten all the bolts.

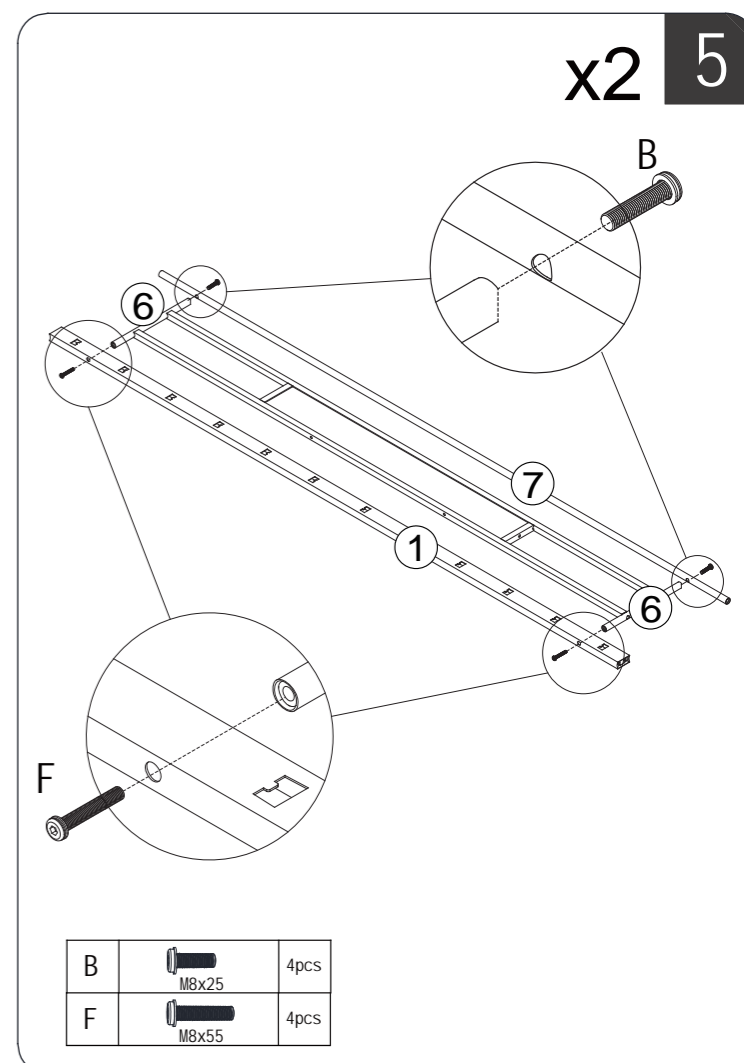
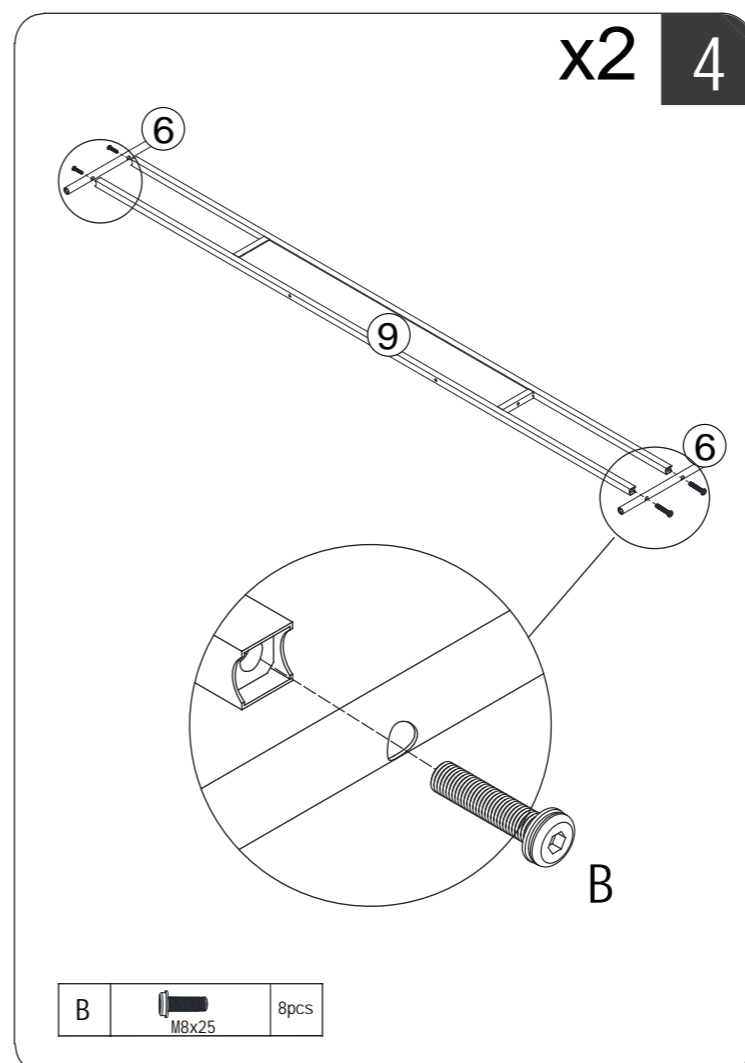
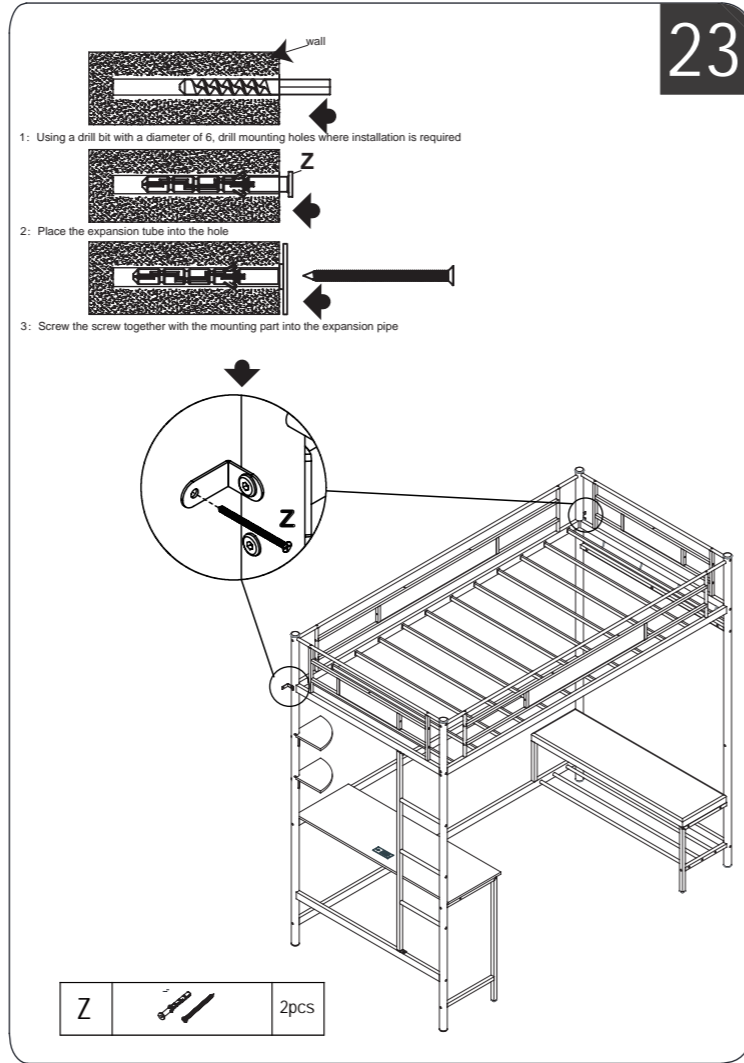
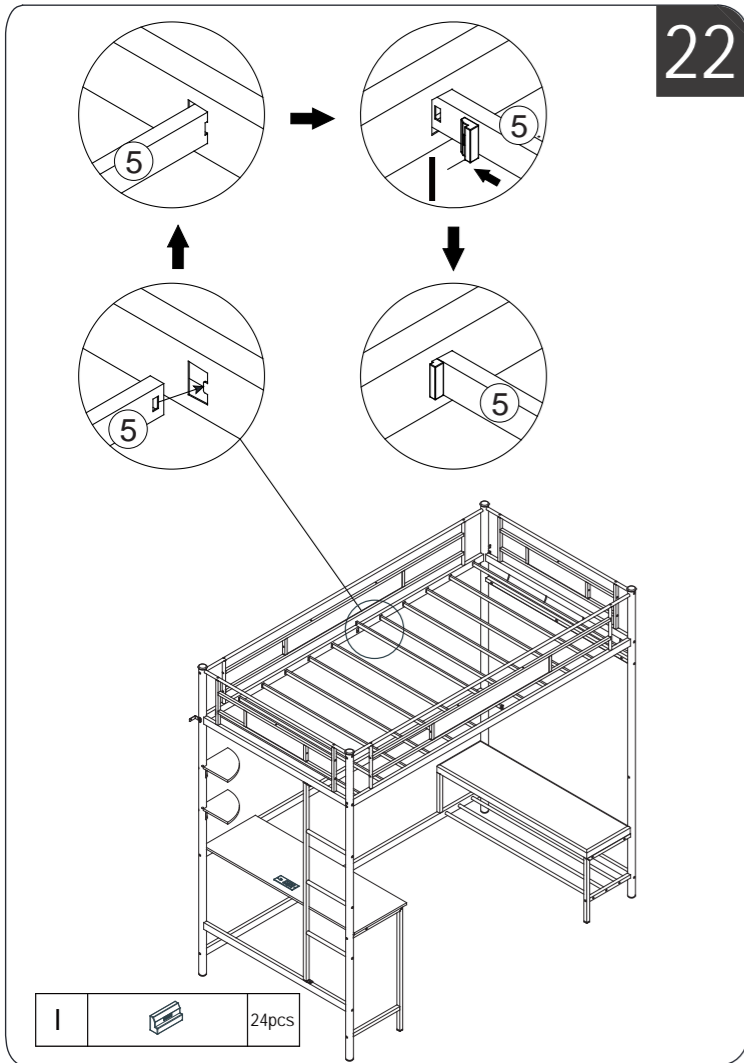
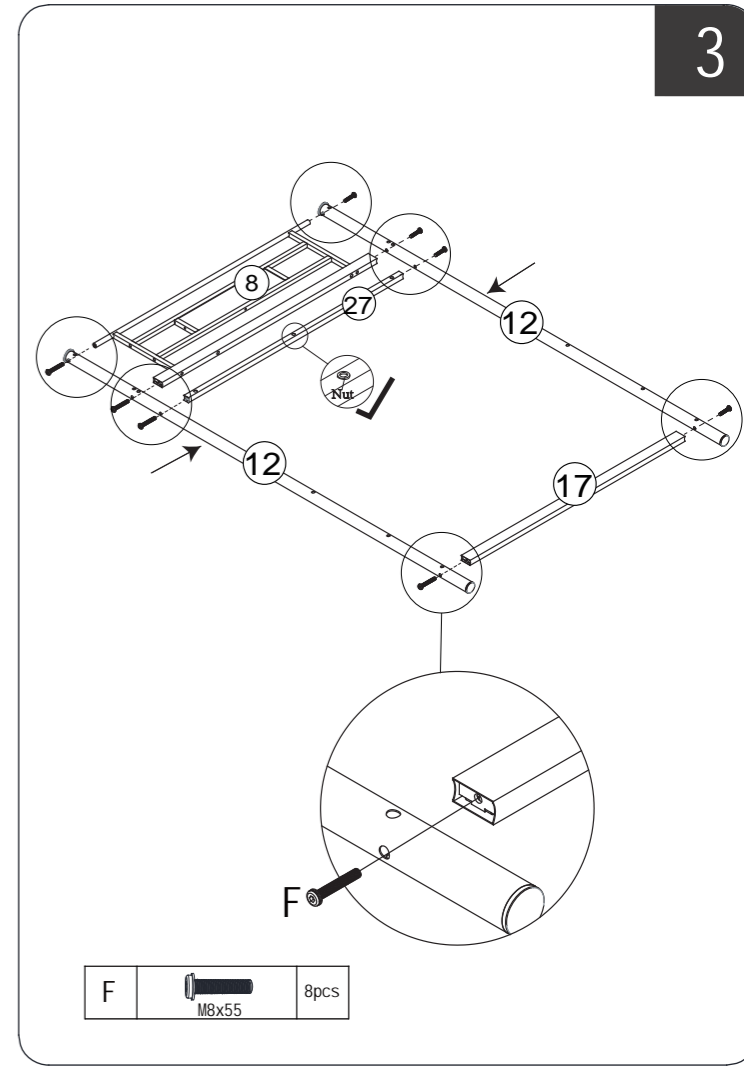
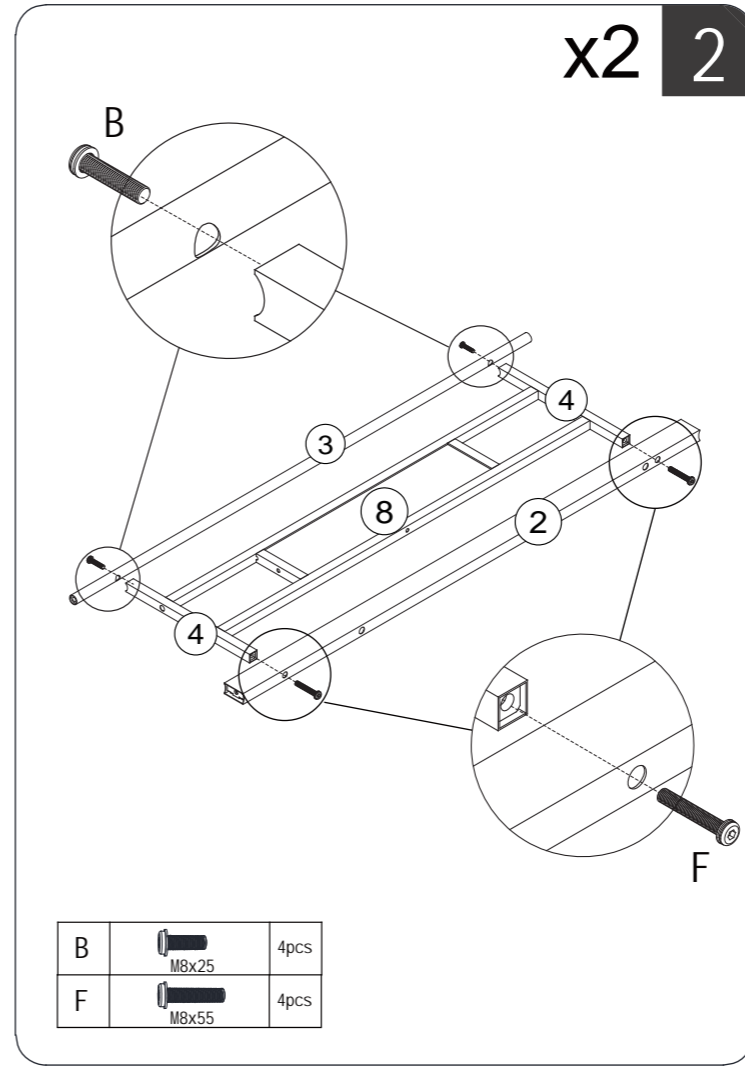
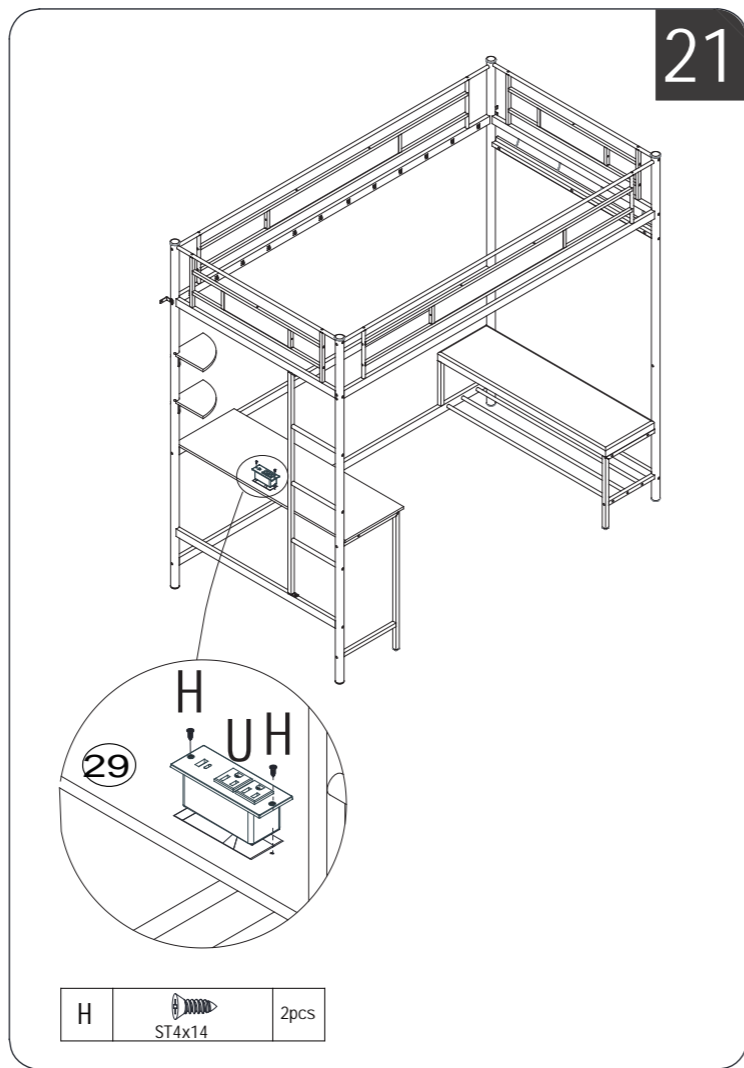
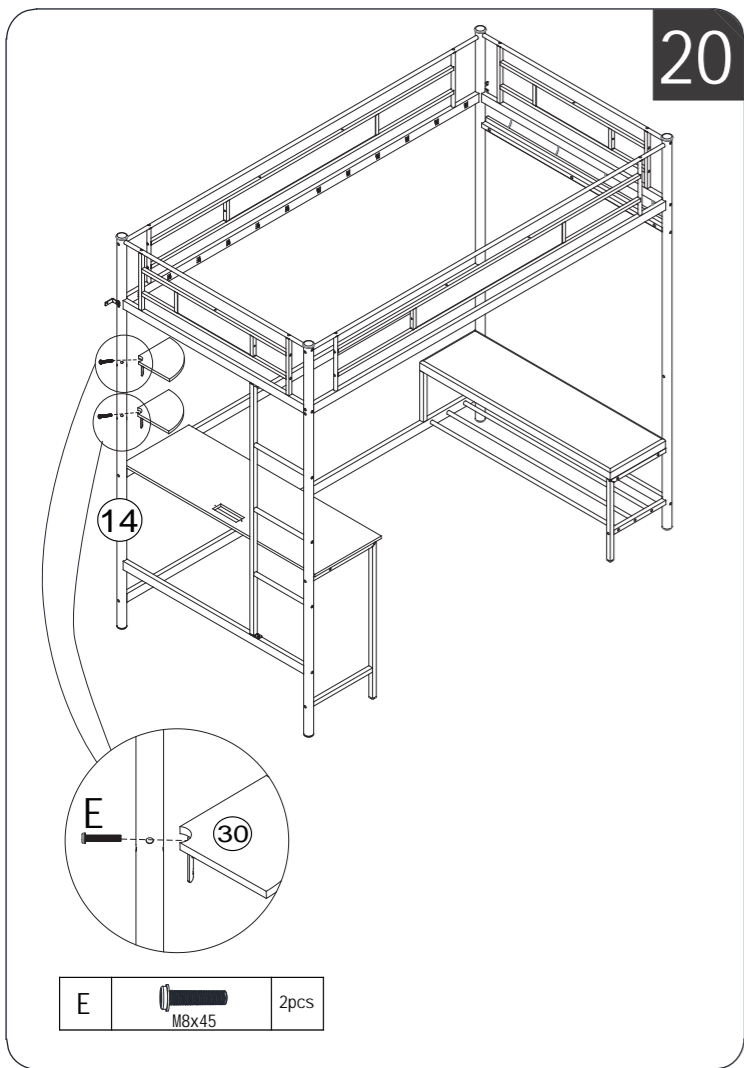
TYPE 1



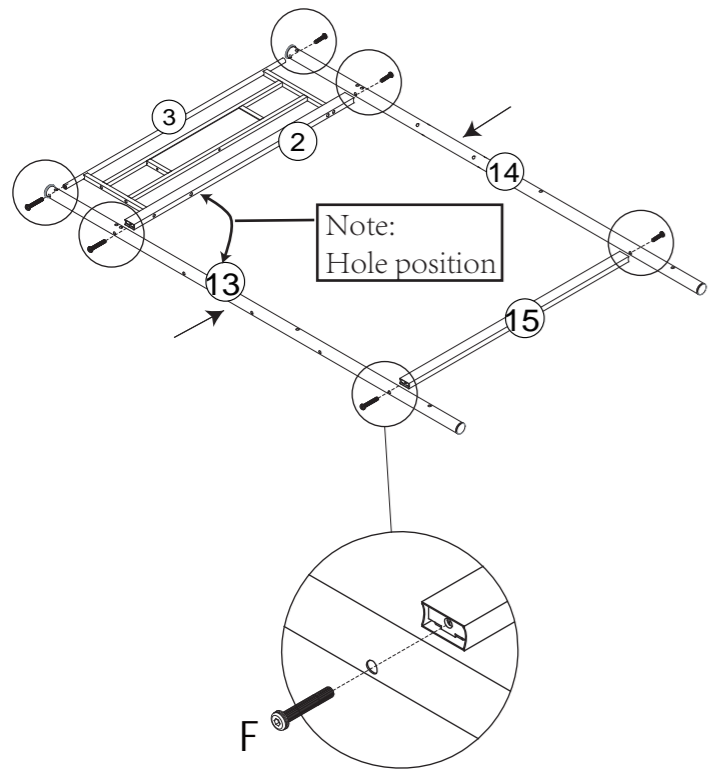
x2 **1**



D		8pcs
---	---	------

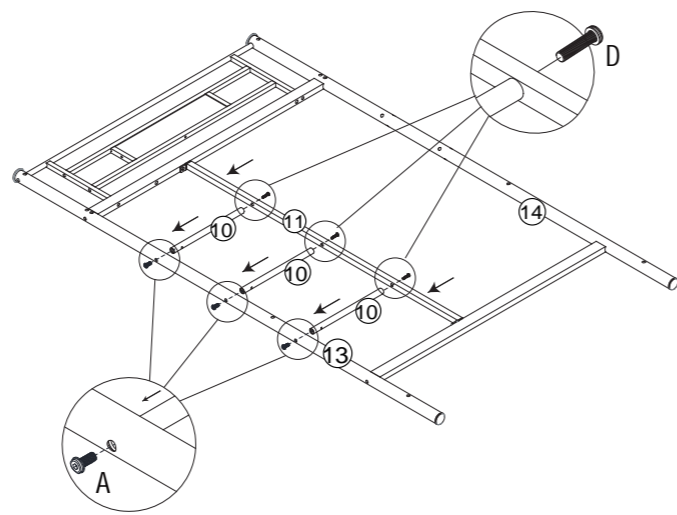




6



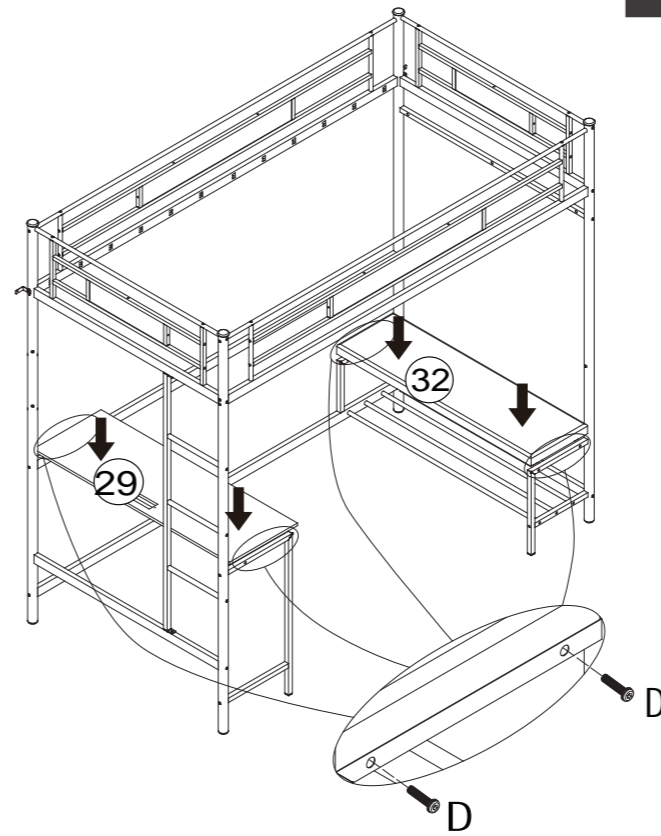
F		M8x55	6pcs
---	---	-------	------

7



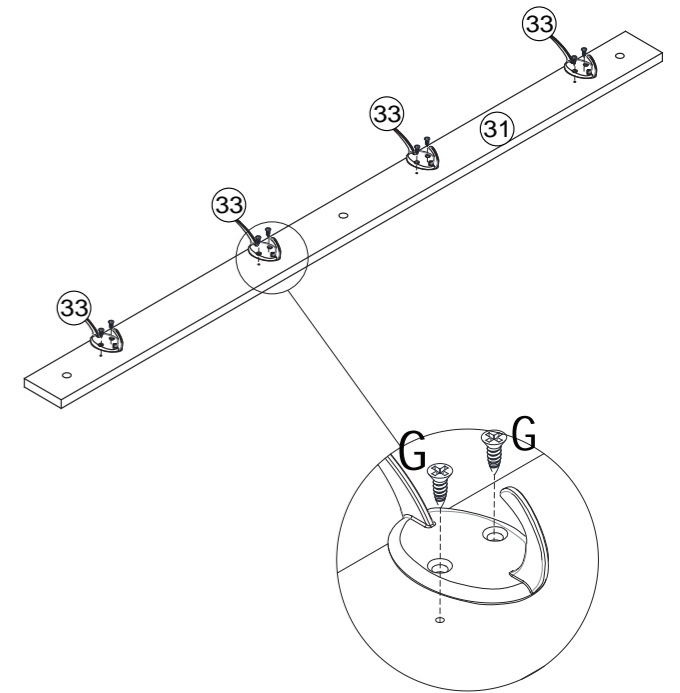
D		M8x35	3pcs
A		M8x16	3pcs

16



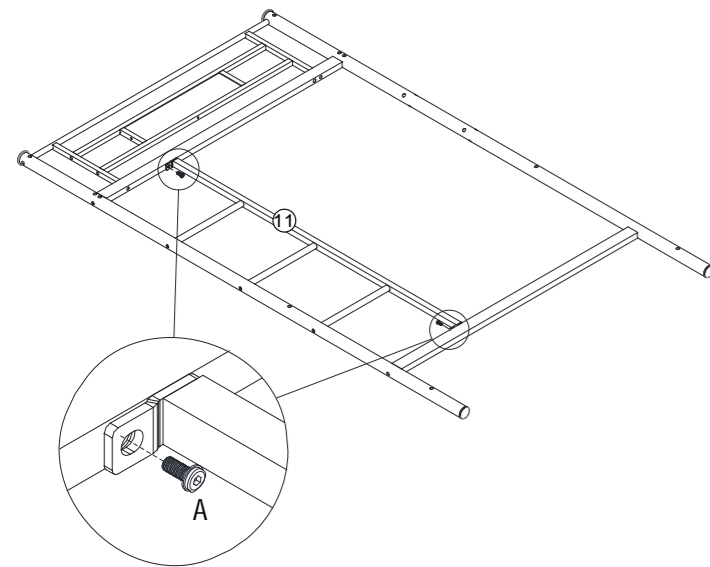
D		M8x35	8pcs
---	---	-------	------

17



G		ST3*16	8pcs
---	---	--------	------

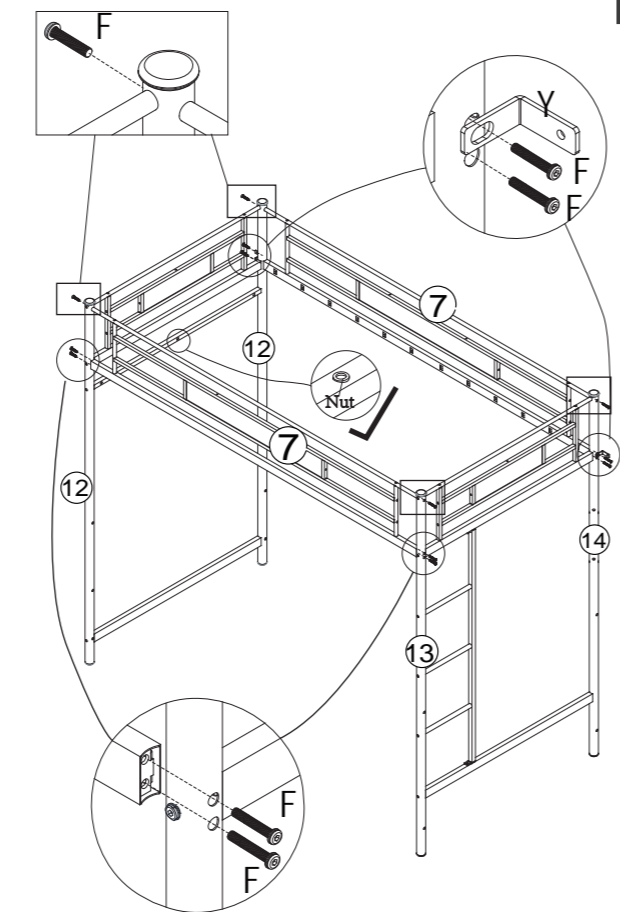
8



A		M8x16	2pcs
---	---	-------	------

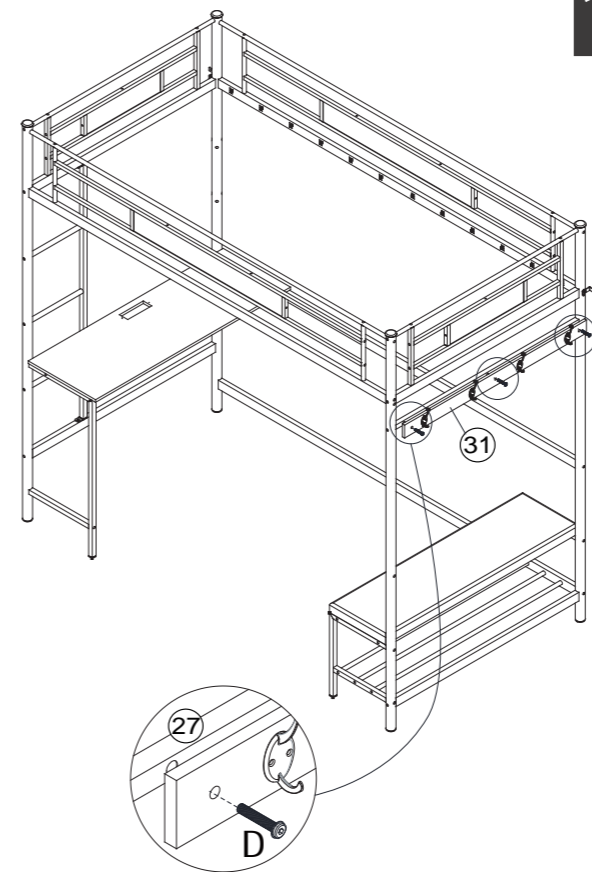
Install screws loosely, fully tighten

9



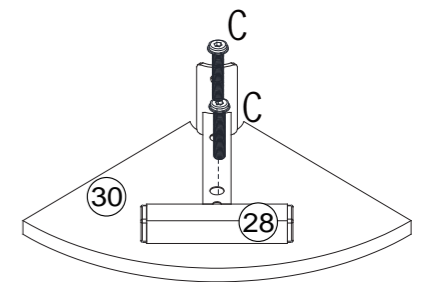
F		M8x55	12pcs
---	---	-------	-------

18



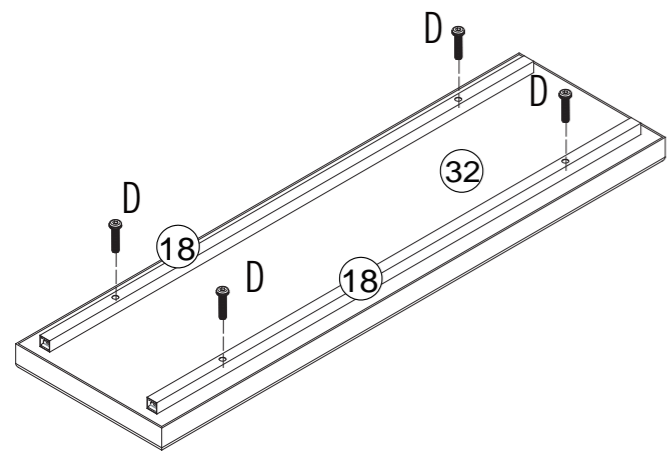
D		M8x35	3pcs
---	---	-------	------

x2 19



C		M8x30	4pcs white zinc
---	---	-------	-----------------

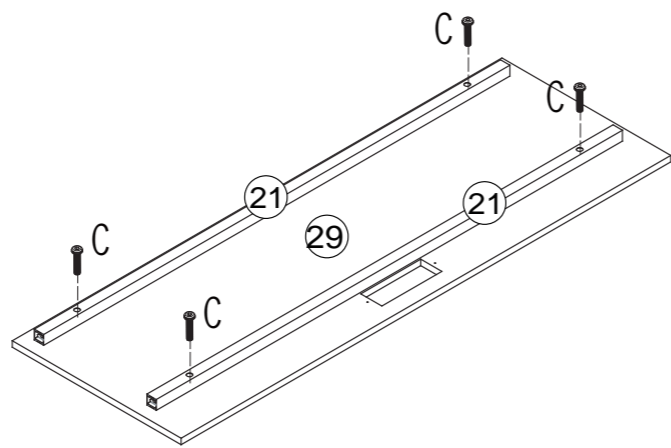
12



D		4pcs
---	---	------

Install screws loosely,
don't fully tighten

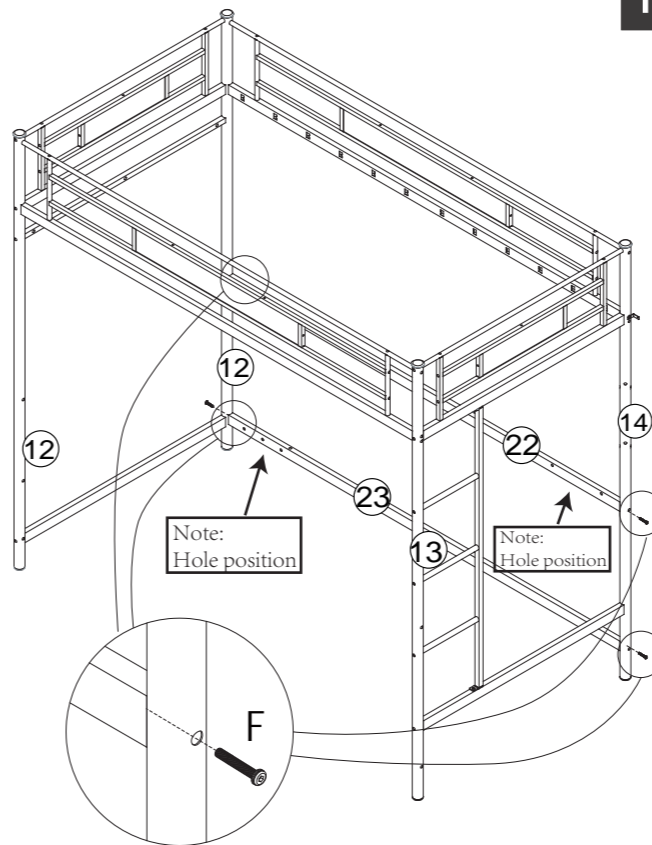
13



C		4pcs	white zinc
---	---	------	------------

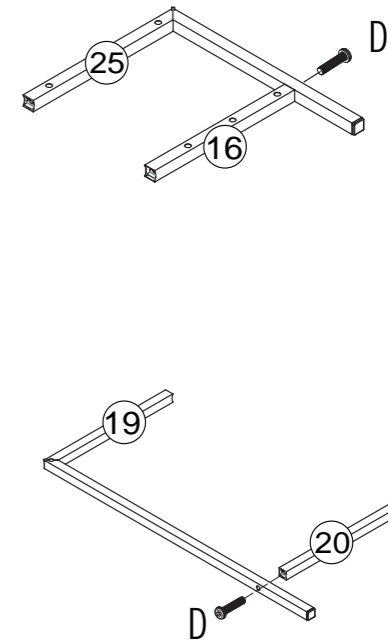
Install screws loosely,
don't fully tighten

10



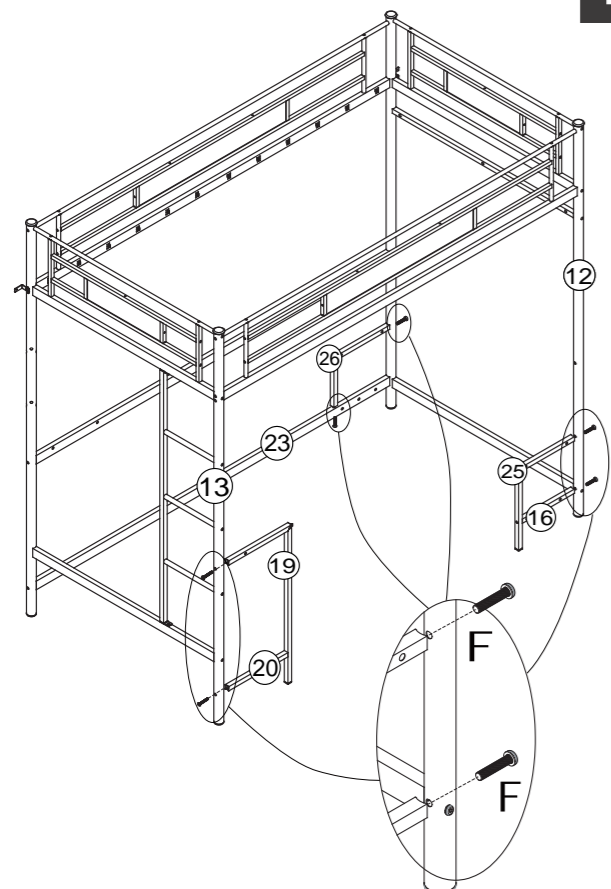
F		4pcs
---	---	------

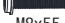
11



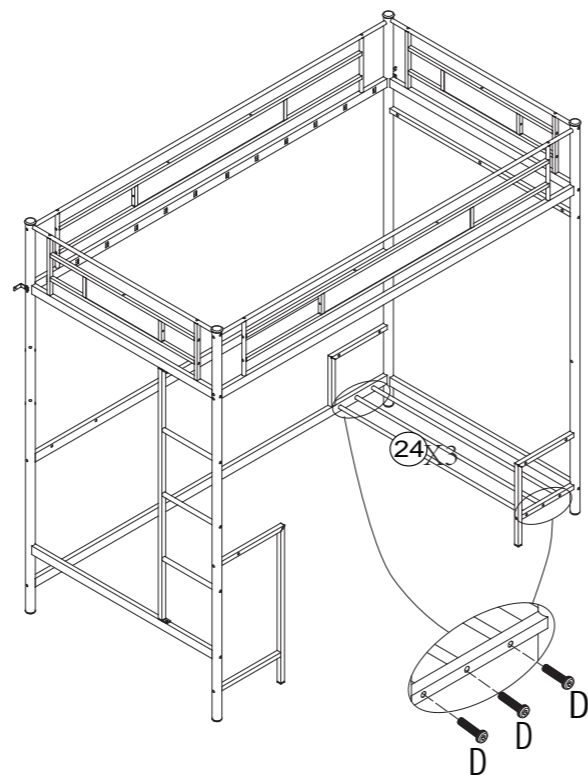
D		2pcs
---	---	------

14



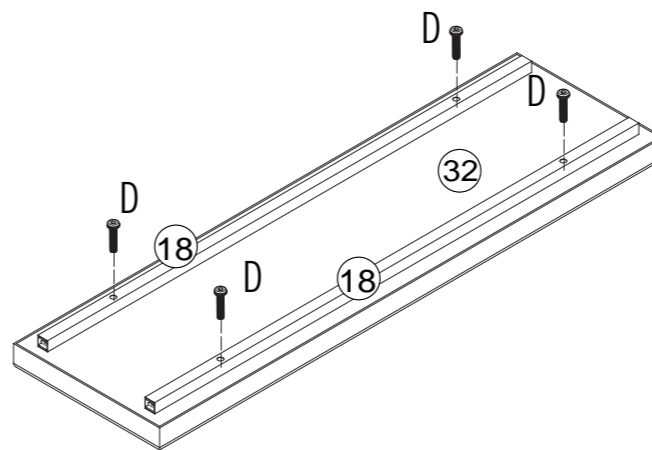
F		6pcs
---	---	------

15



D		6pcs
---	---	------

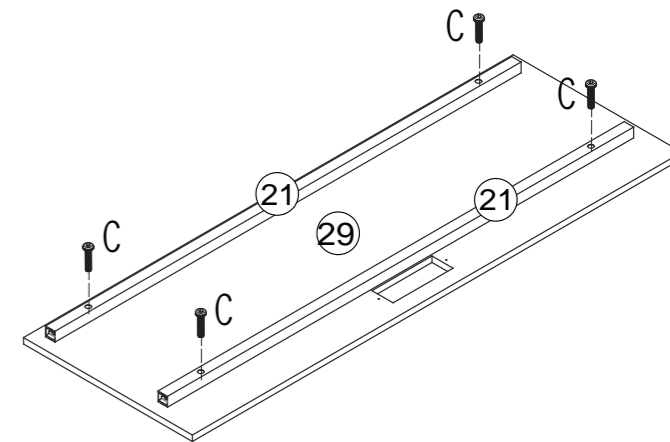
12



D		4pcs
---	---	------

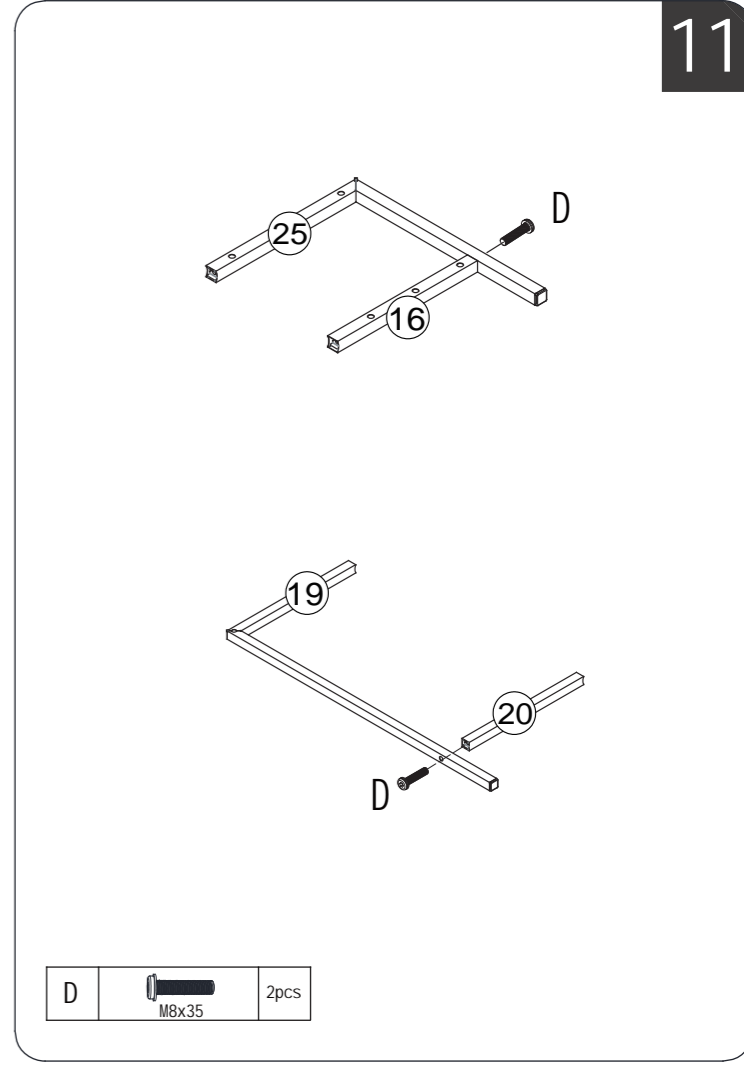
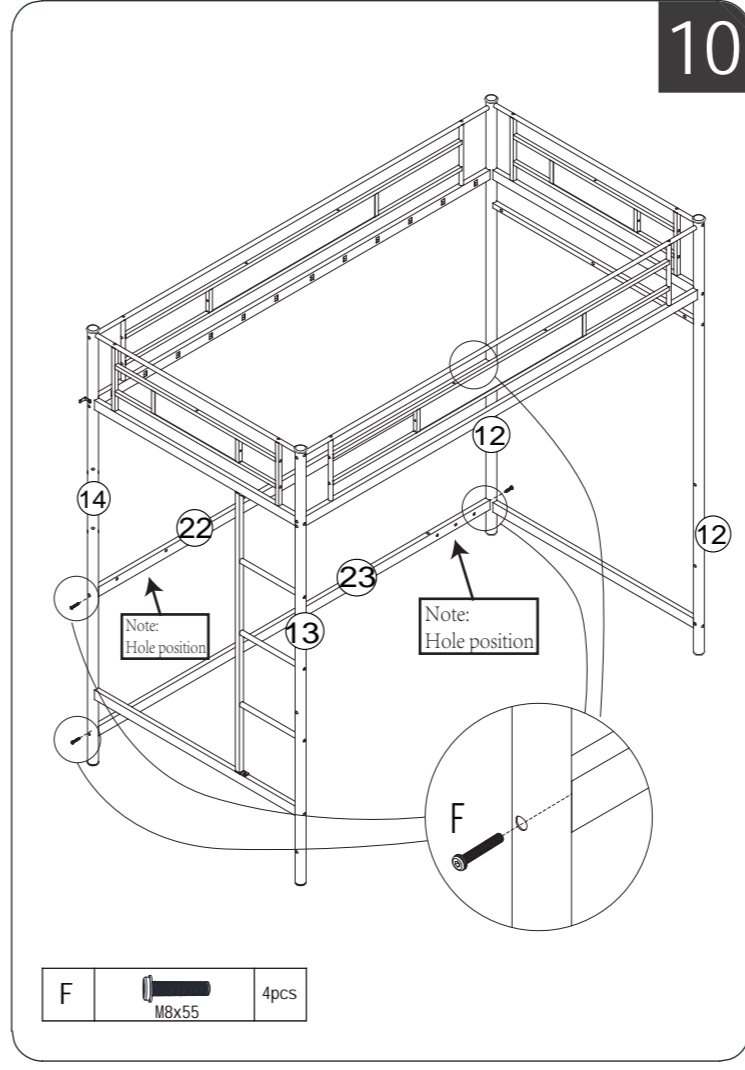
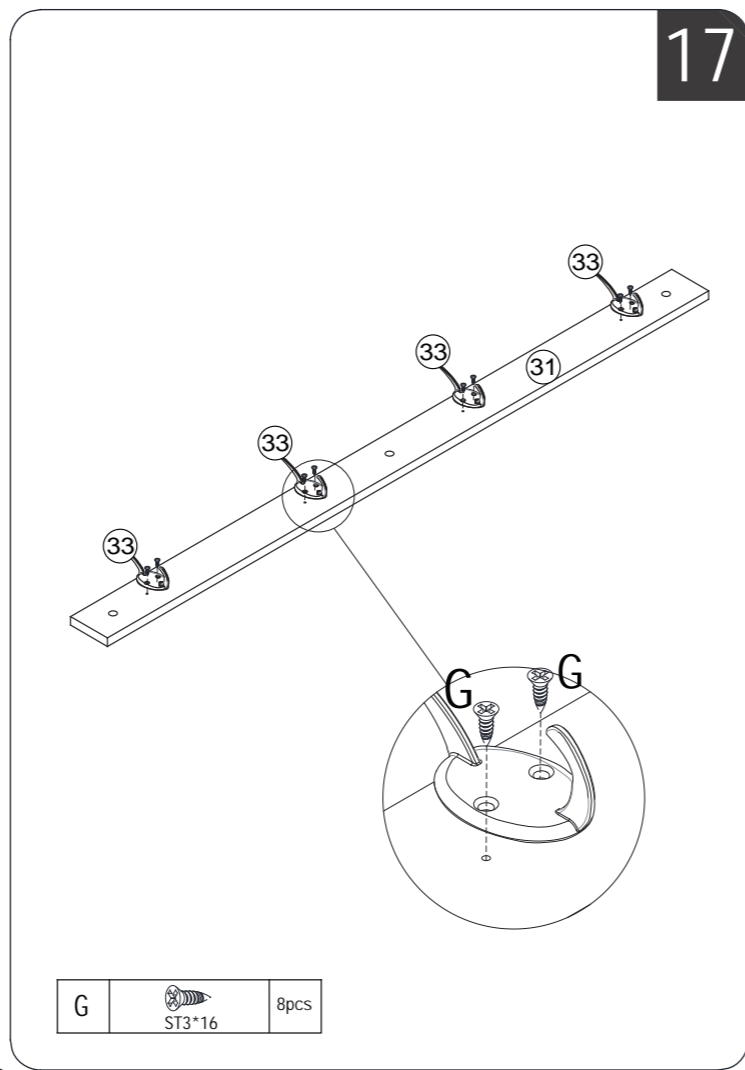
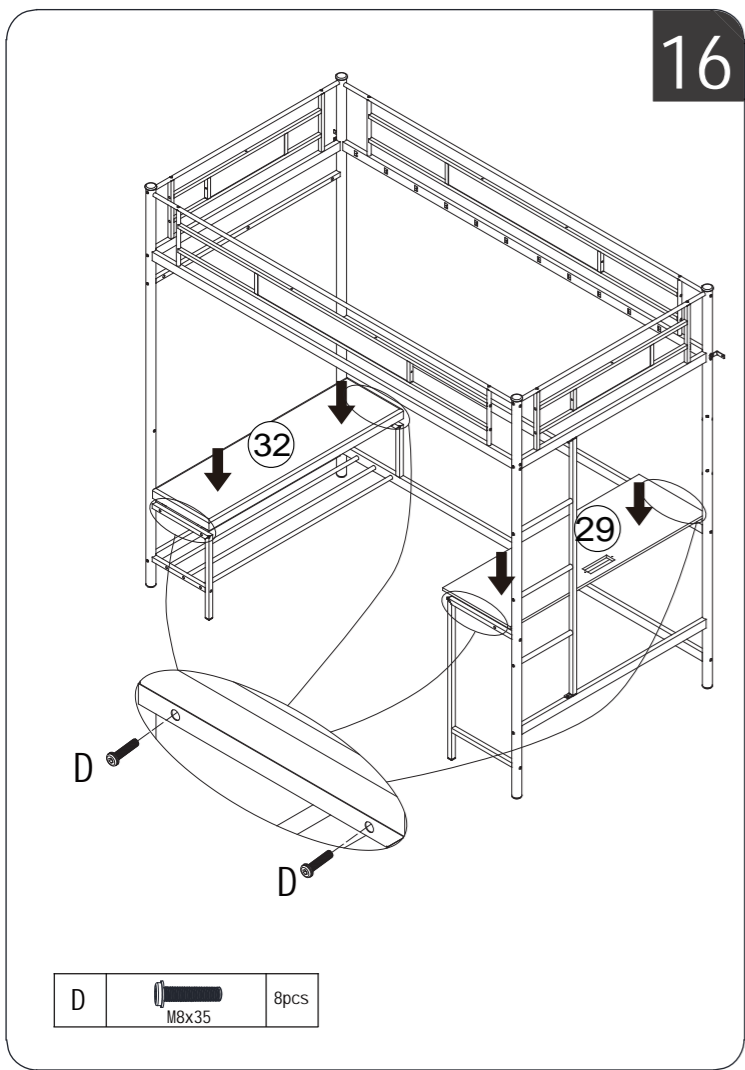
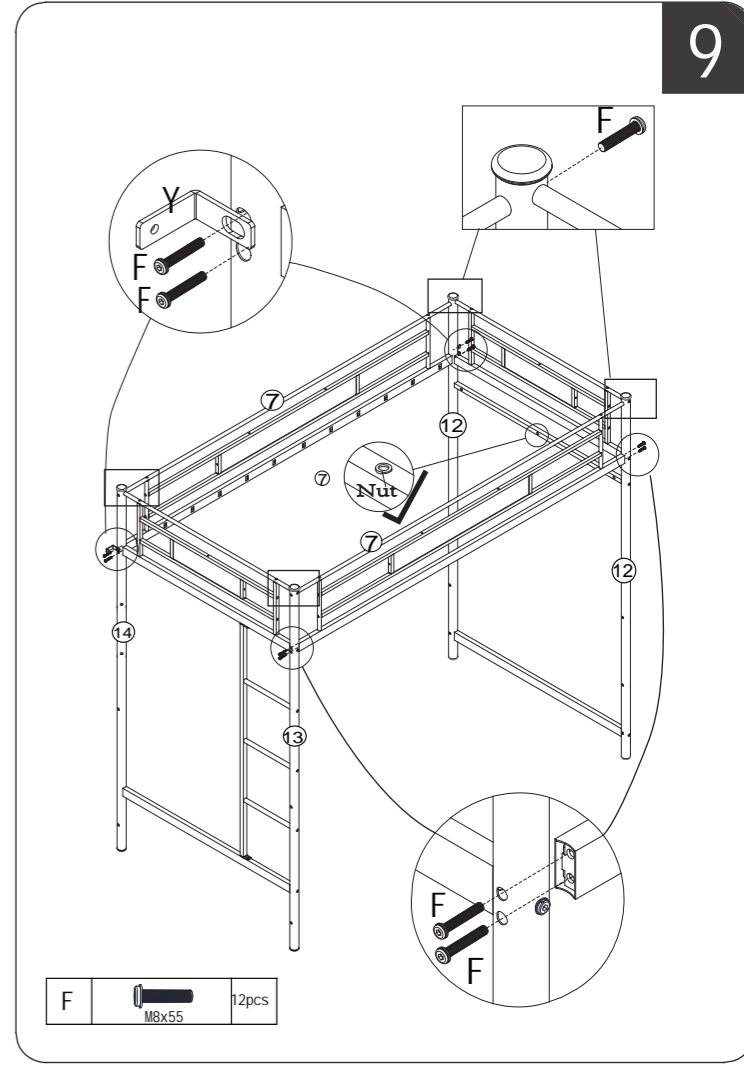
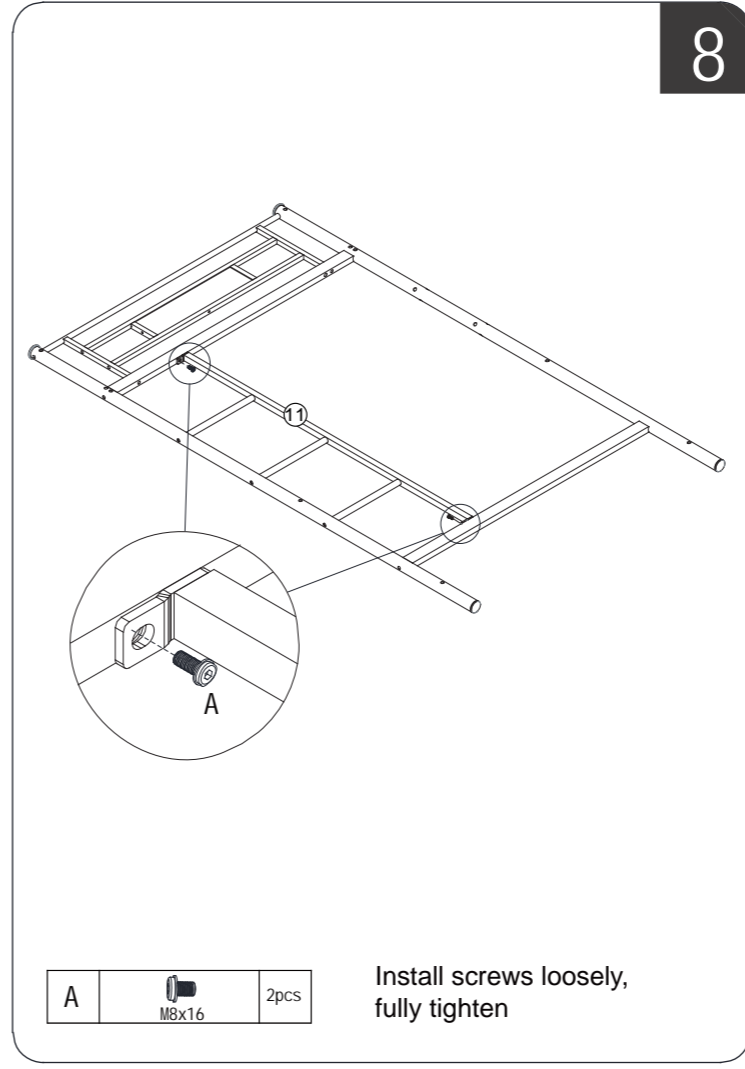
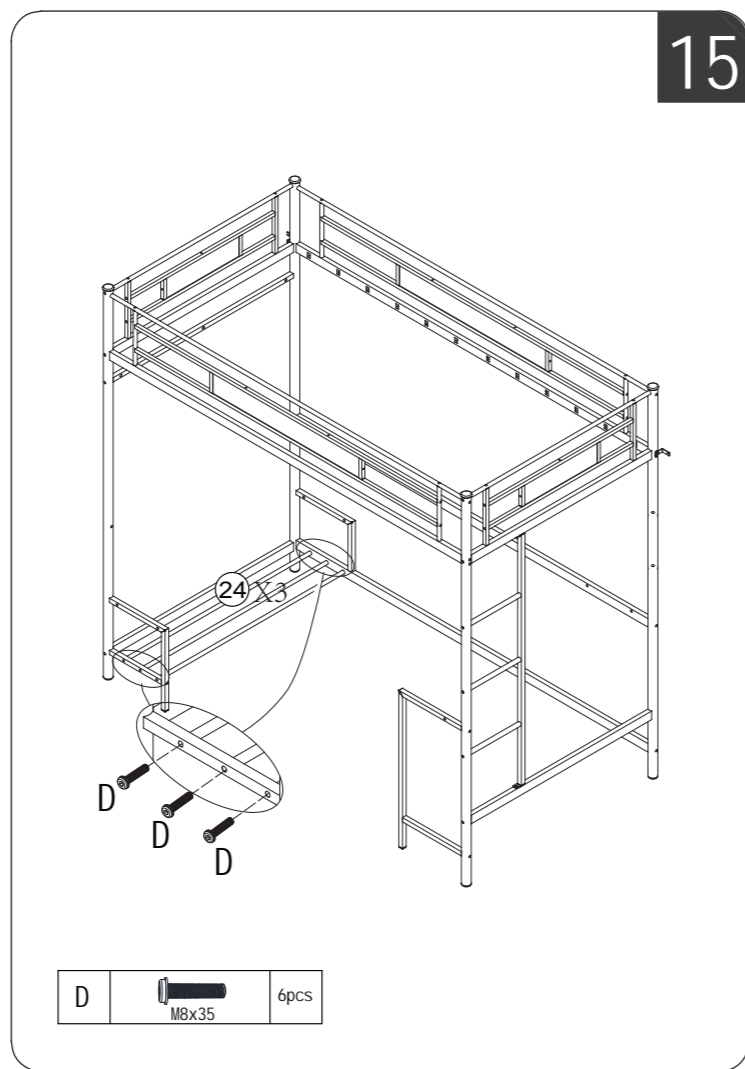
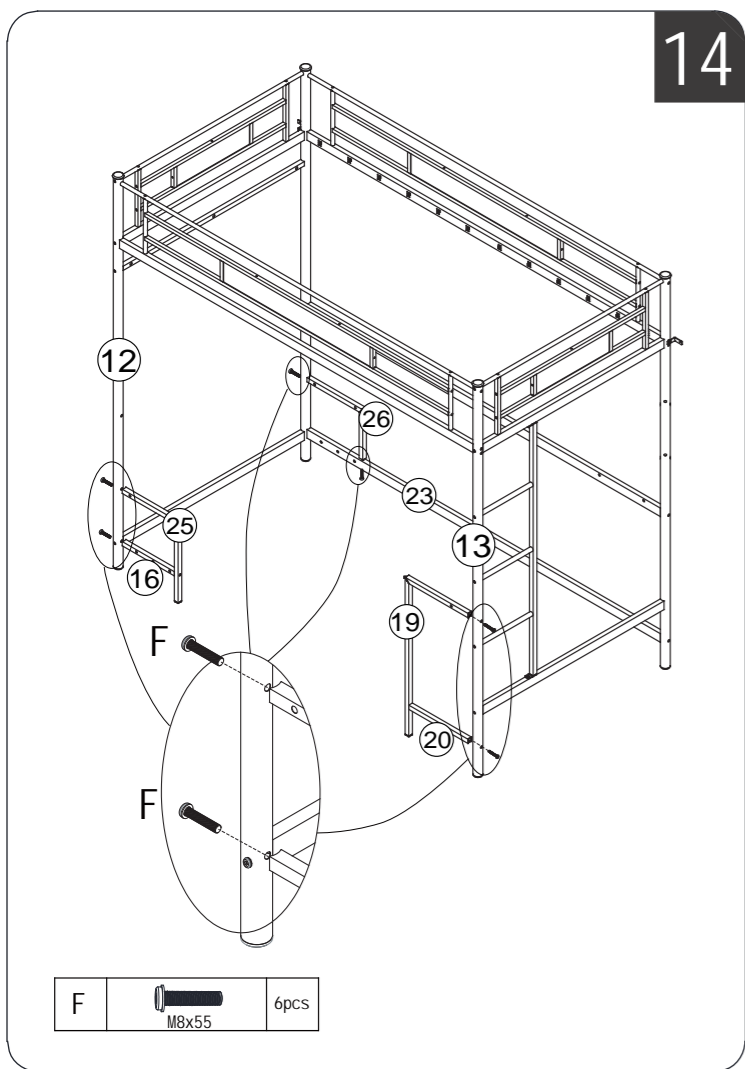
Install screws loosely,
don't fully tighten

13

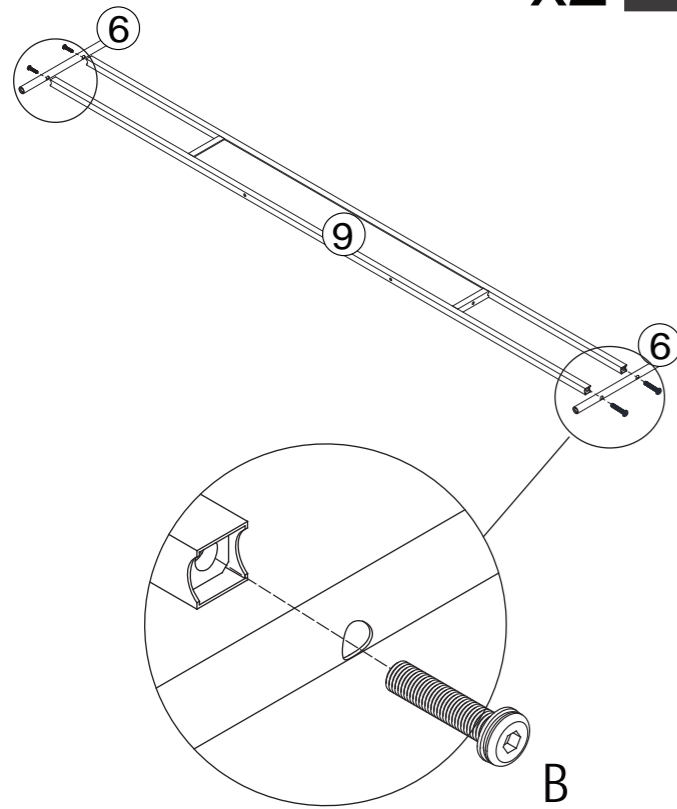


C		4pcs	white zinc
---	---	------	------------

Install screws loosely,
don't fully tighten

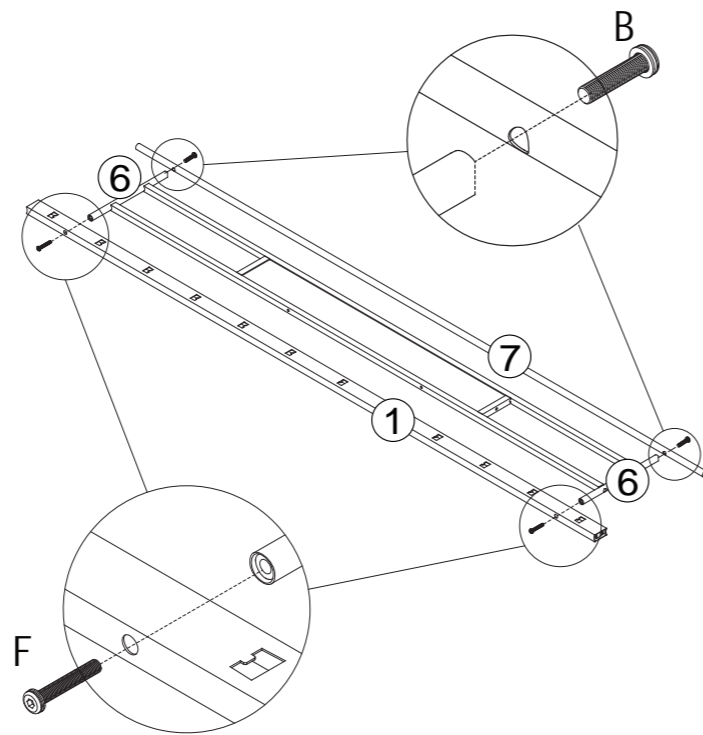




x2 4



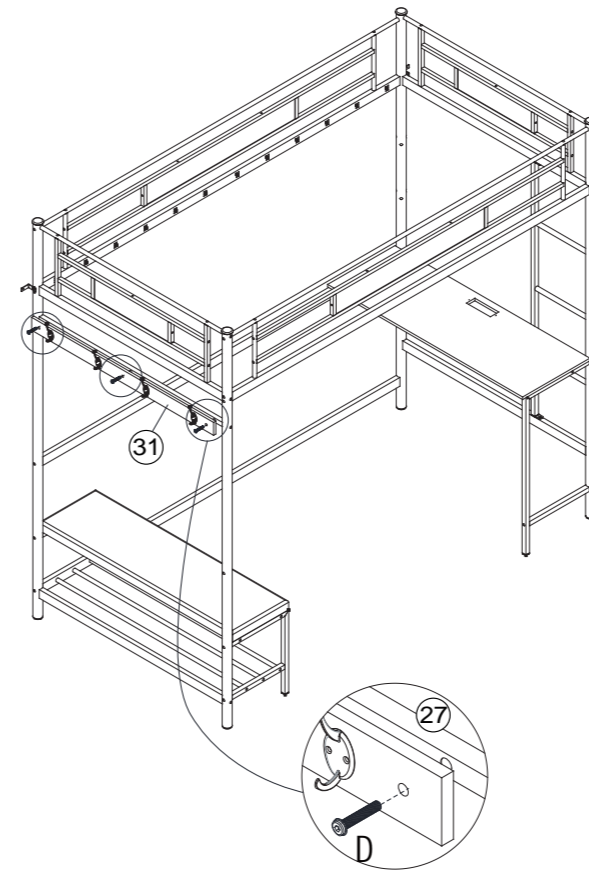
B		M8x25	8pcs
---	---	-------	------

x2 5



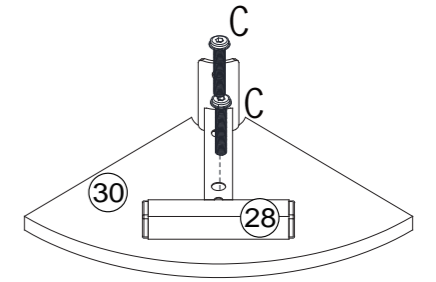
B		M8x25	4pcs
F		M8x55	4pcs

18



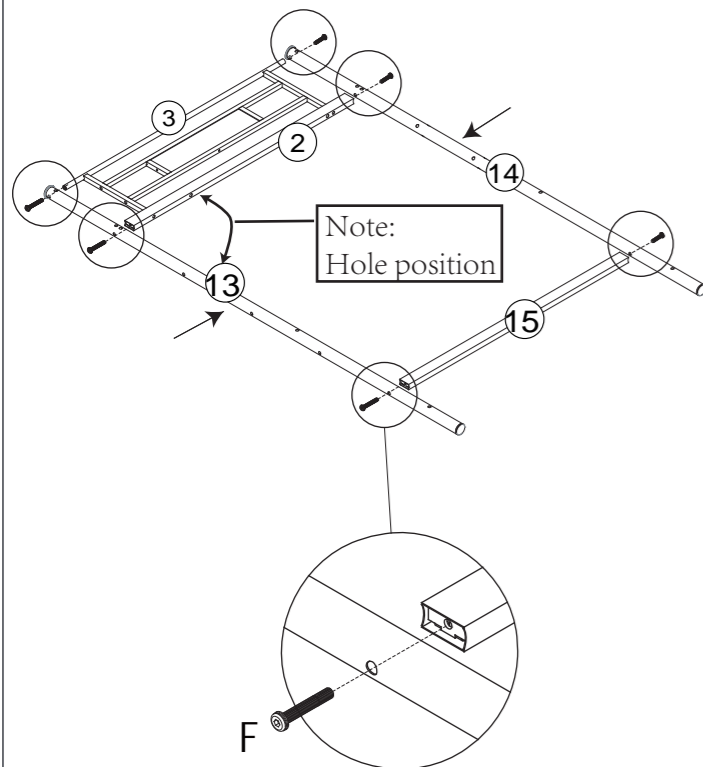
D		M8x35	3pcs
---	---	-------	------

x2 19



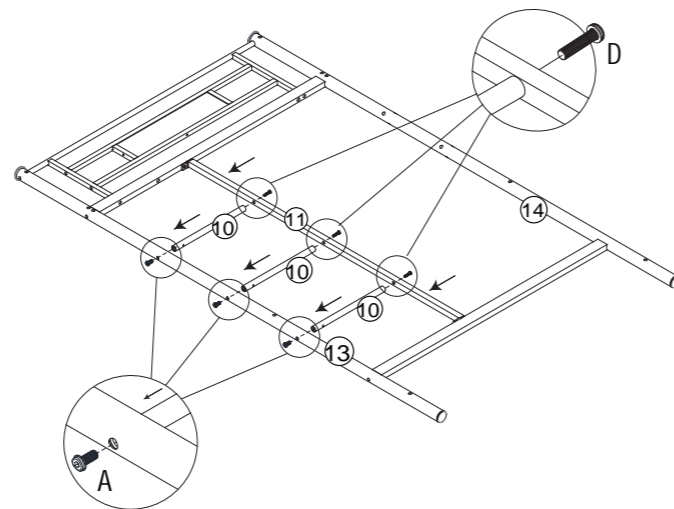
C		M8x30	4pcs	white zinc
---	---	-------	------	------------



6



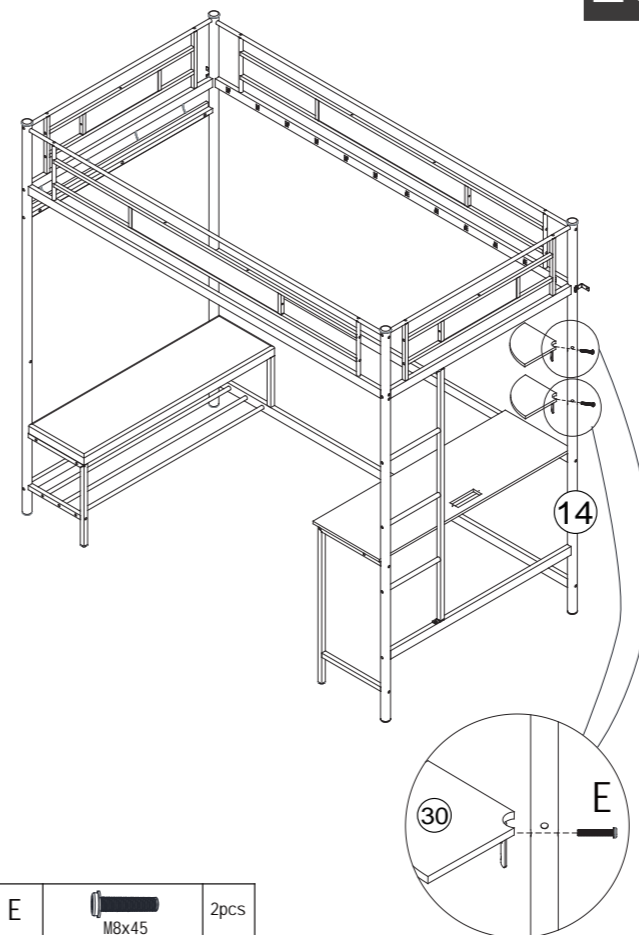
F		M8x55	6pcs
---	---	-------	------

7



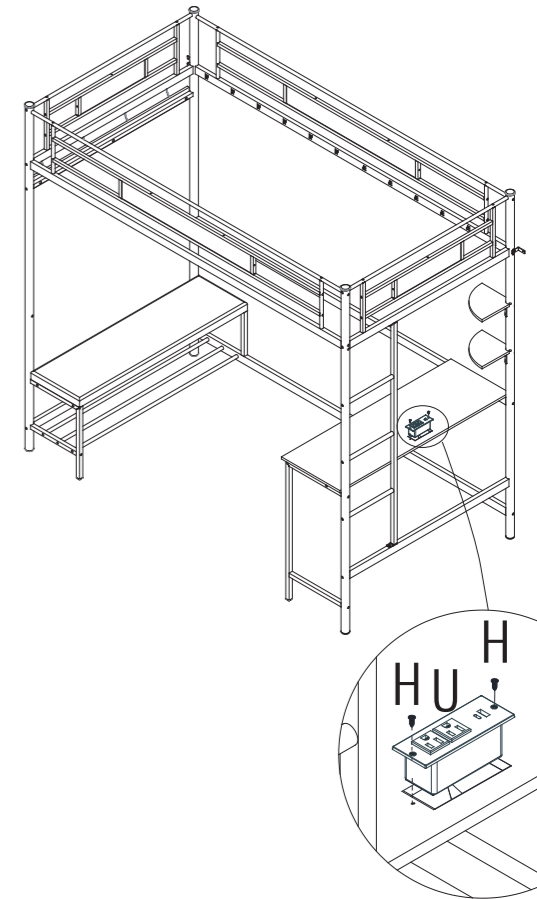
D		M8x35	3pcs
A		M8x16	3pcs

20



E		M8x45	2pcs
---	---	-------	------

21



H		ST4x14	2pcs
---	---	--------	------

22

5

5

5

5

I		24pcs
---	--	-------

23

1: Using a drill bit with a diameter of 6, drill mounting holes where installation is required

2: Place the expansion tube into the hole

3: Screw the screw together with the mounting part into the expansion pipe

Z

Z

2pcs

TYPE 2

x2 1

D

4

D

8

D

4

D

D		8pcs
---	--	------

Finish

24

Note: Now you can tighten all the bolts.

x2 2

B

3

4

8

2

4

F

B		4pcs
F		4pcs

3

8

27

12

Nut

12

17

F

F		8pcs
---	--	------