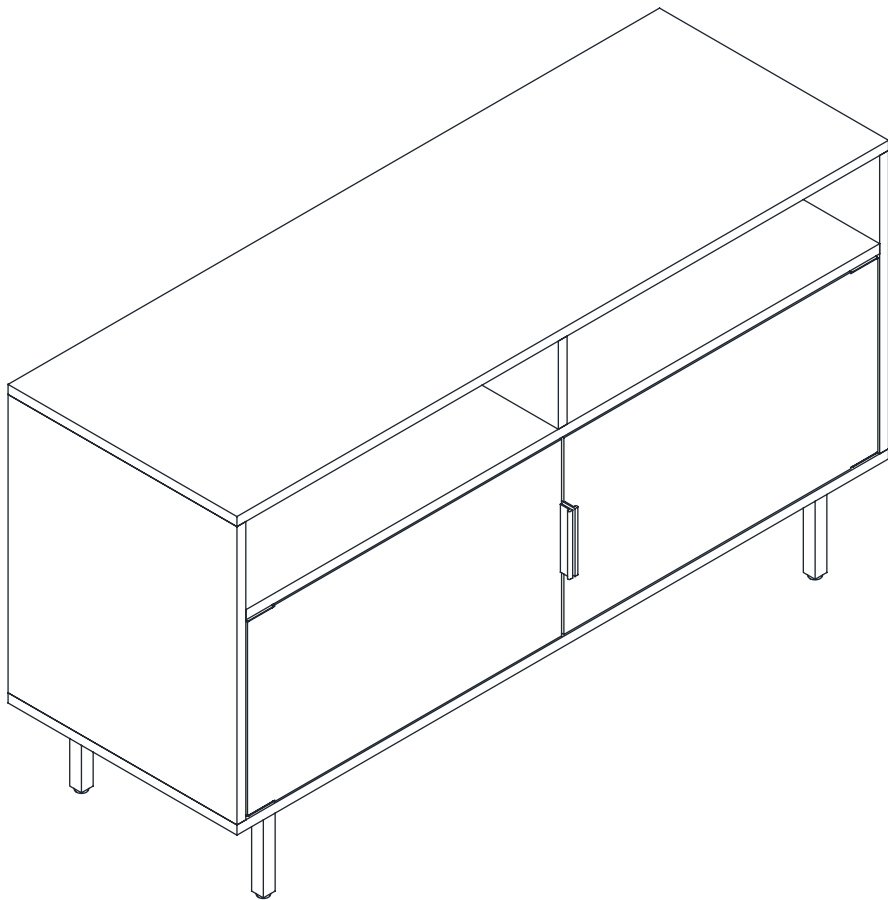


80 MINUTE
80
ASSEMBLY



What's included

	Description	Qty
1	Top Panel	1
2	Left Side Panel	1
3	Right Side Panel	1
4	Bottom Panel	1
5	Top Divider Panel	1
6	Bottom Divider Panel	1
7	Center Shelf	1
8	Left Door	1
9	Right Door	1
10	Metal Side Frame	2
11	Metal Stretcher	2
12	Center Leg	1
13	Back Panel	2

Estimated time for assembly



80:00

What you need

- Some of your favorite bubbly or your preferred relaxant
- Use the packaging carton as a working surface to prevent product damage during assembly

Do not use a drill



Weight Limitation



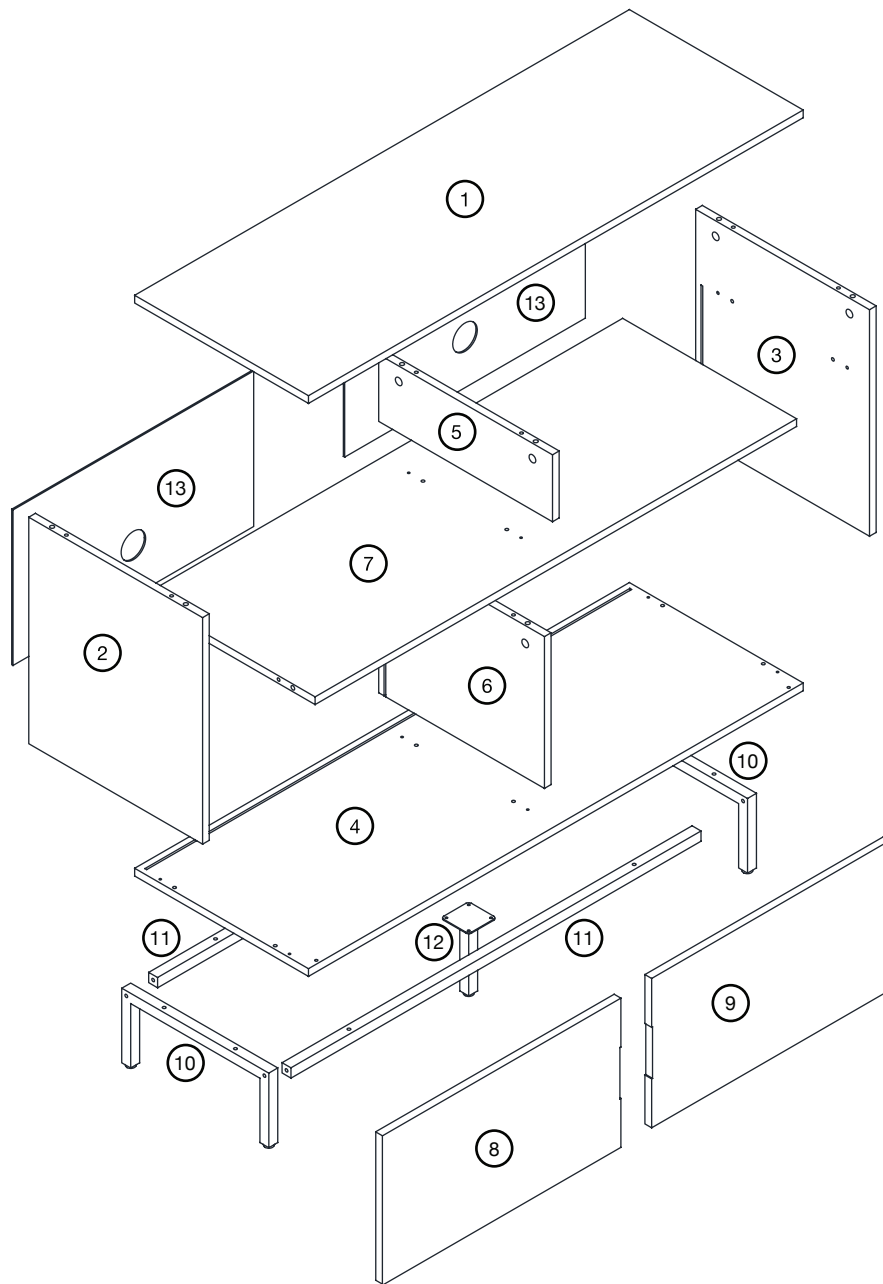
90

lbs for top

24

lbs per shelf

The goods



IMPORTANT

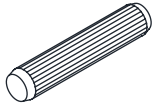
1. Do not tighten bolts / screws completely until all bolts / screws are lined up and inserted into holes.
2. Do not over tighten screws and bolts to avoid stripping.
3. Please use hand tools to assemble this product. Do not use power tools.

What's included

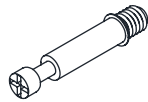
	Description	Qty
A	M6*30 Wooden Dowel	20
B	M6*35 Cam Bolt	12
C	15x9.5mm Cam Lock	12
D	Magnetic Door Catcher	2
E	M3*12mm Philips Flat Head Screw	6
F	Door Catch Plate	2
G	M4*35 Philips Flat Head Screw	8
H	Metal Hinge (Bottom)	2
I	Metal Hinge (Top)	2
J	Plastic Bushing	2
K	M6*40mm Bolt	4
L	Allen Key	1
M	M4*14mm Philips Pan Head Screw	4
N	Handle	2
O	M3*14mm Philips Pan Head Screw	16
P	PVC Sticker	6
Q	M6*30mm Bolt	8

The goods

A



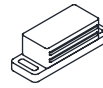
B



C



D



E



F



G



H



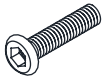
I



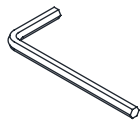
J



K



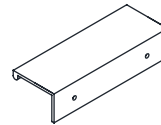
L



M



N



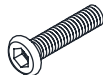
O



P



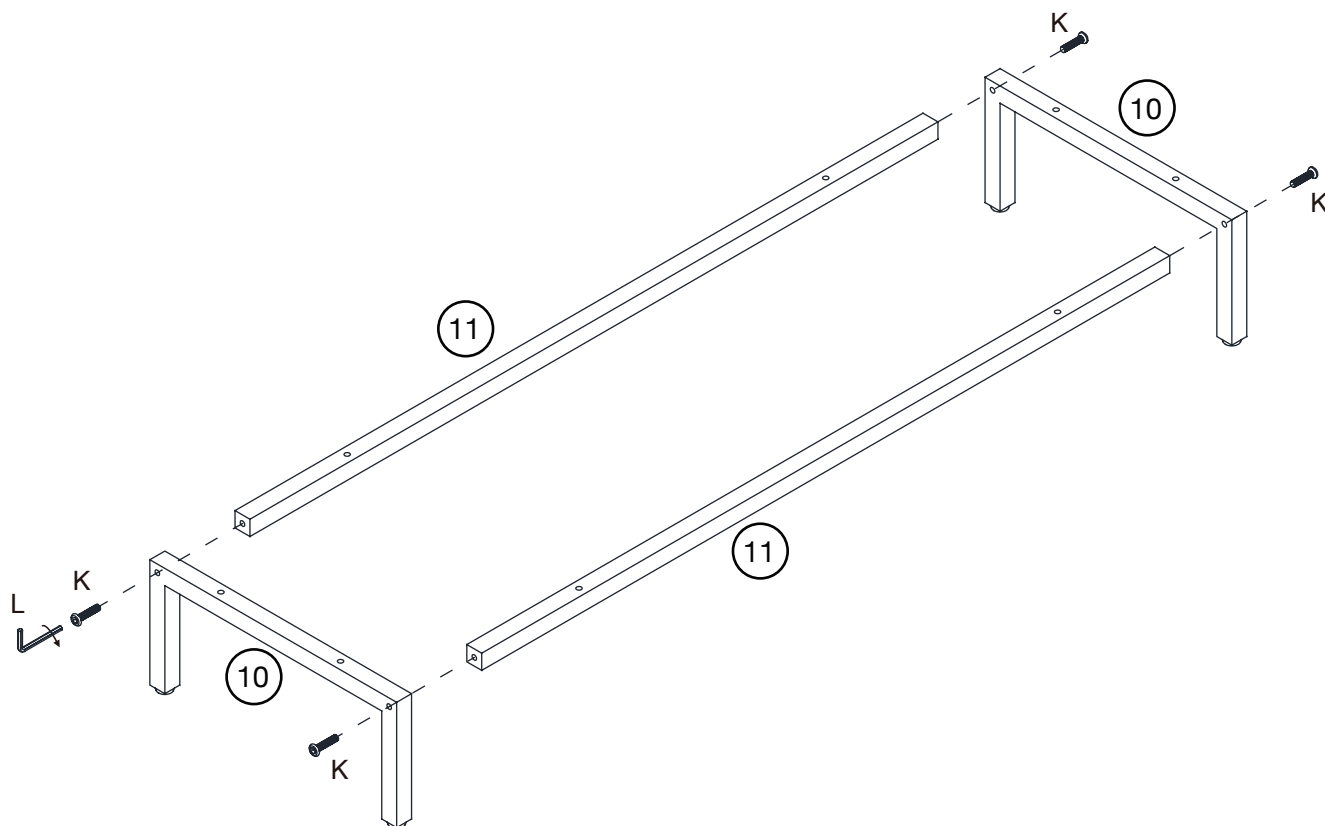
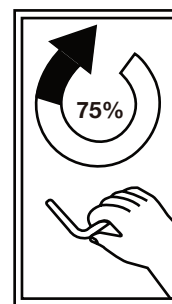
Q



Step 1

Let's get this thing fired up! Lay down packaging carton or use carpet as a working surface.

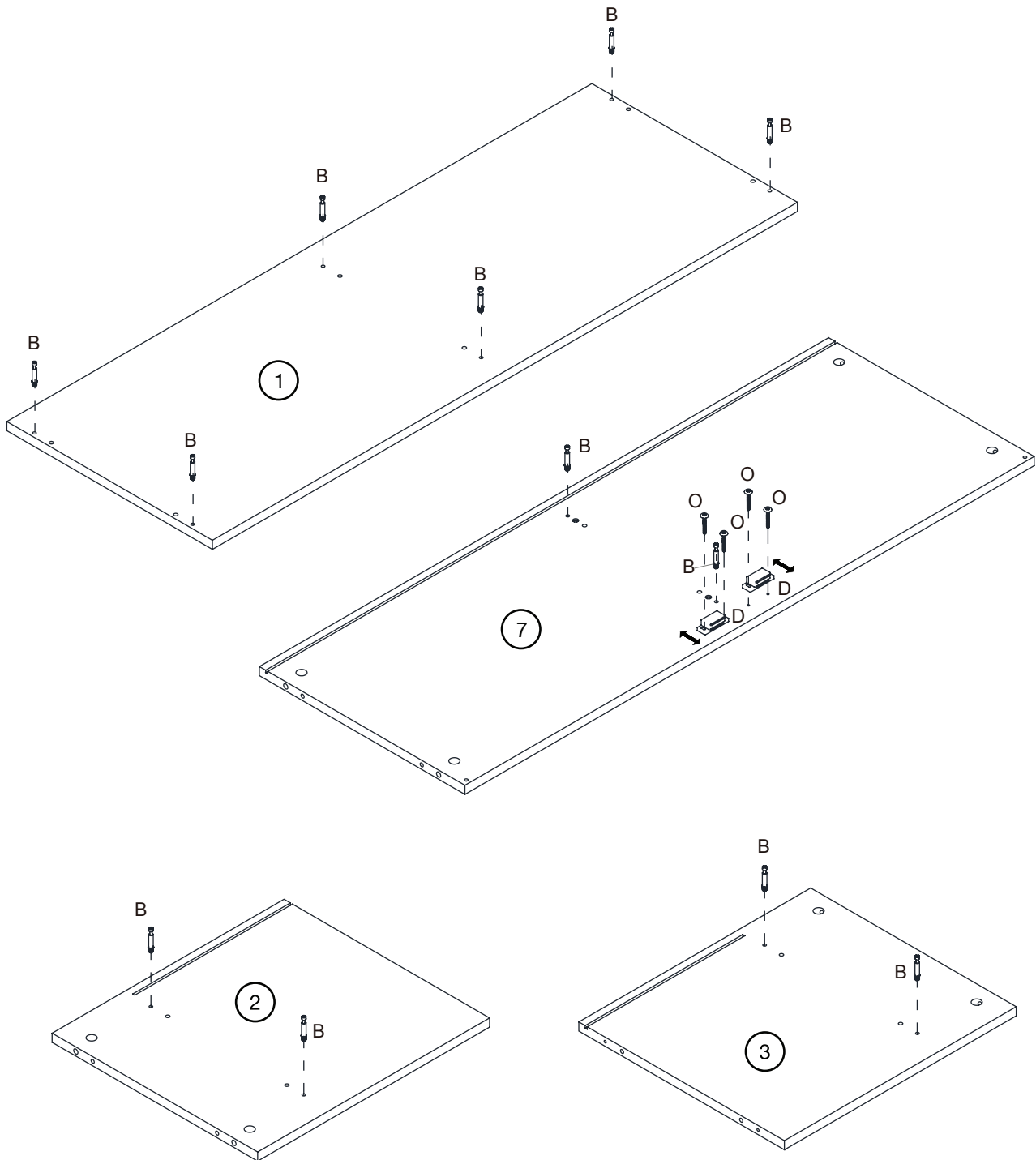
Attach the Metal Side Frames (10) to the Metal Stretchers (11).



Step 2

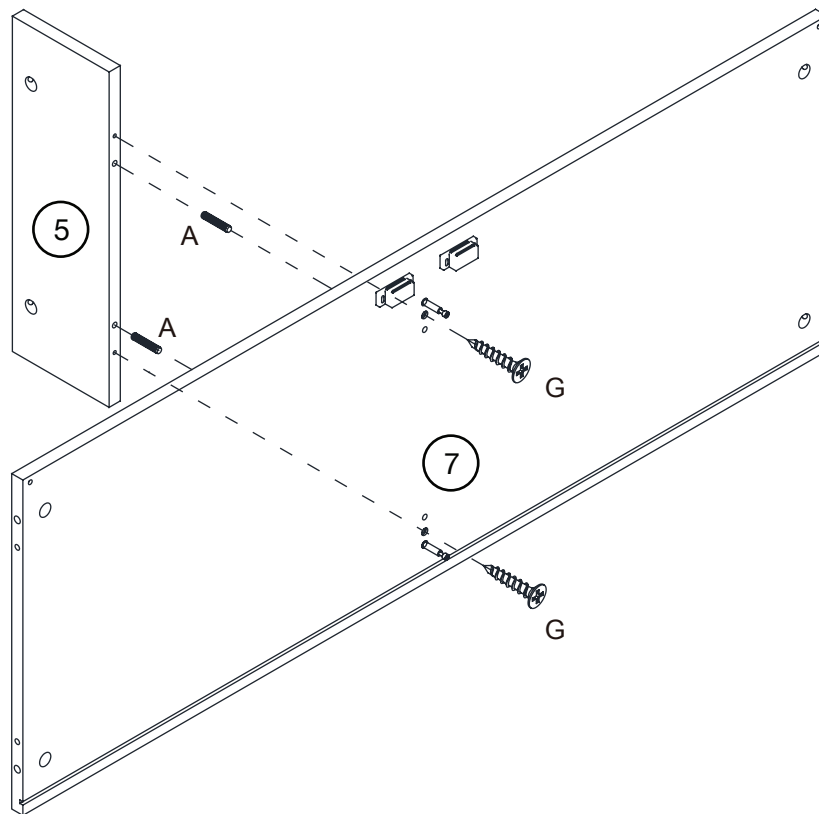
Place the Cam Bolts (B) into the Top Panel (1) and Center Shelf (7), Left Side Panel (2), and Right Side Panel (3).

And don't forget to use the M3*14mm Screws (O) to attach the Magnetic Door Catchers (D)!



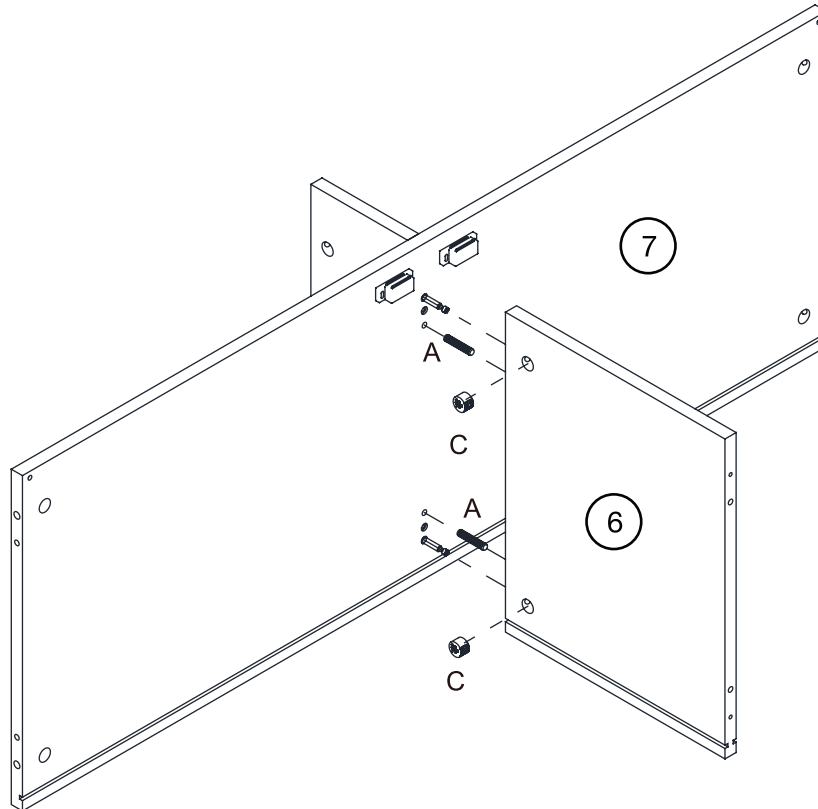
Step 3

Secure the Top Divider Panel (5) to the Center Shelf (7).



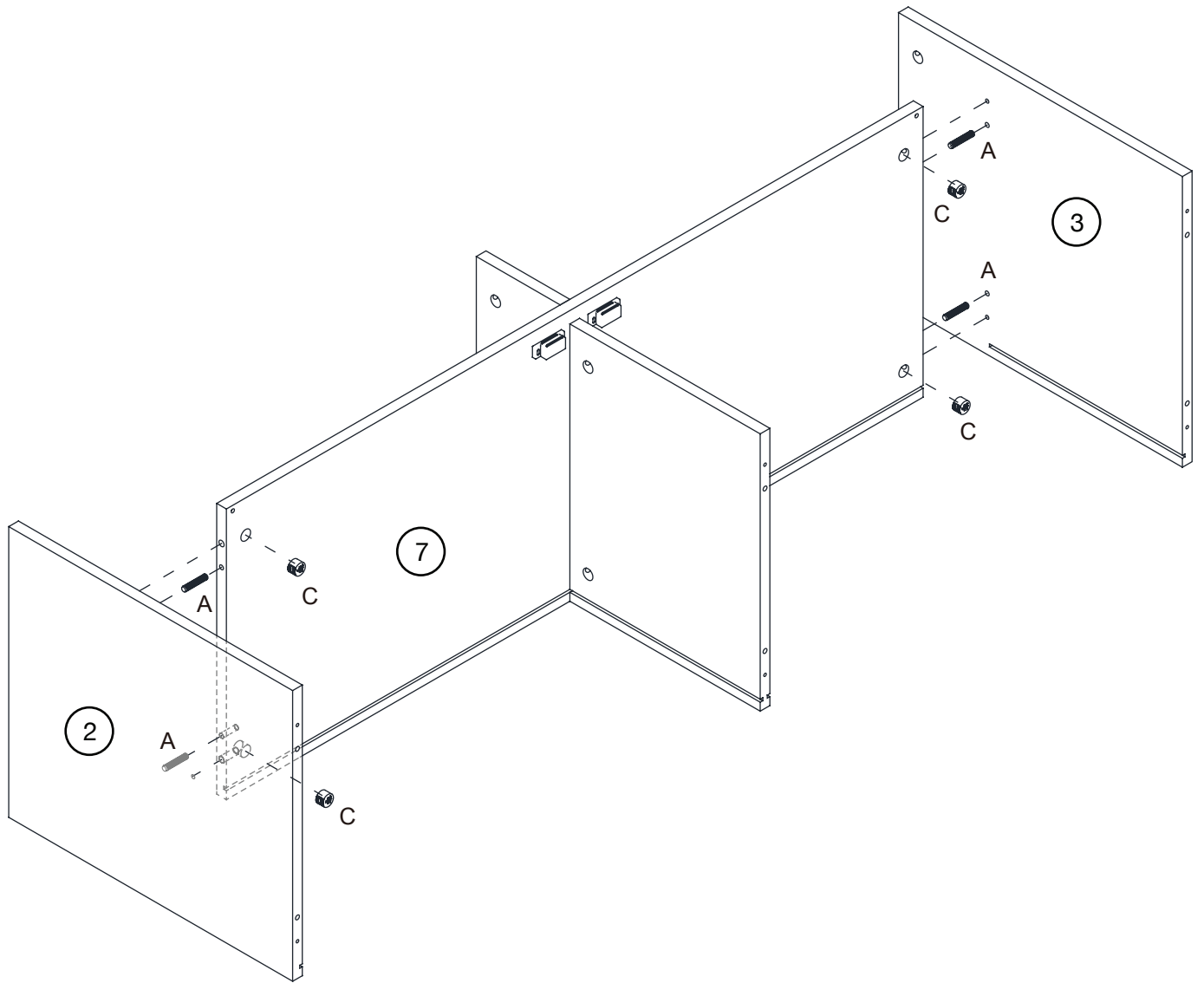
Step 4

Attach the Bottom Divider Panel (6) to the Center Shelf (7). You're starting to get the hang of this!



Step 5

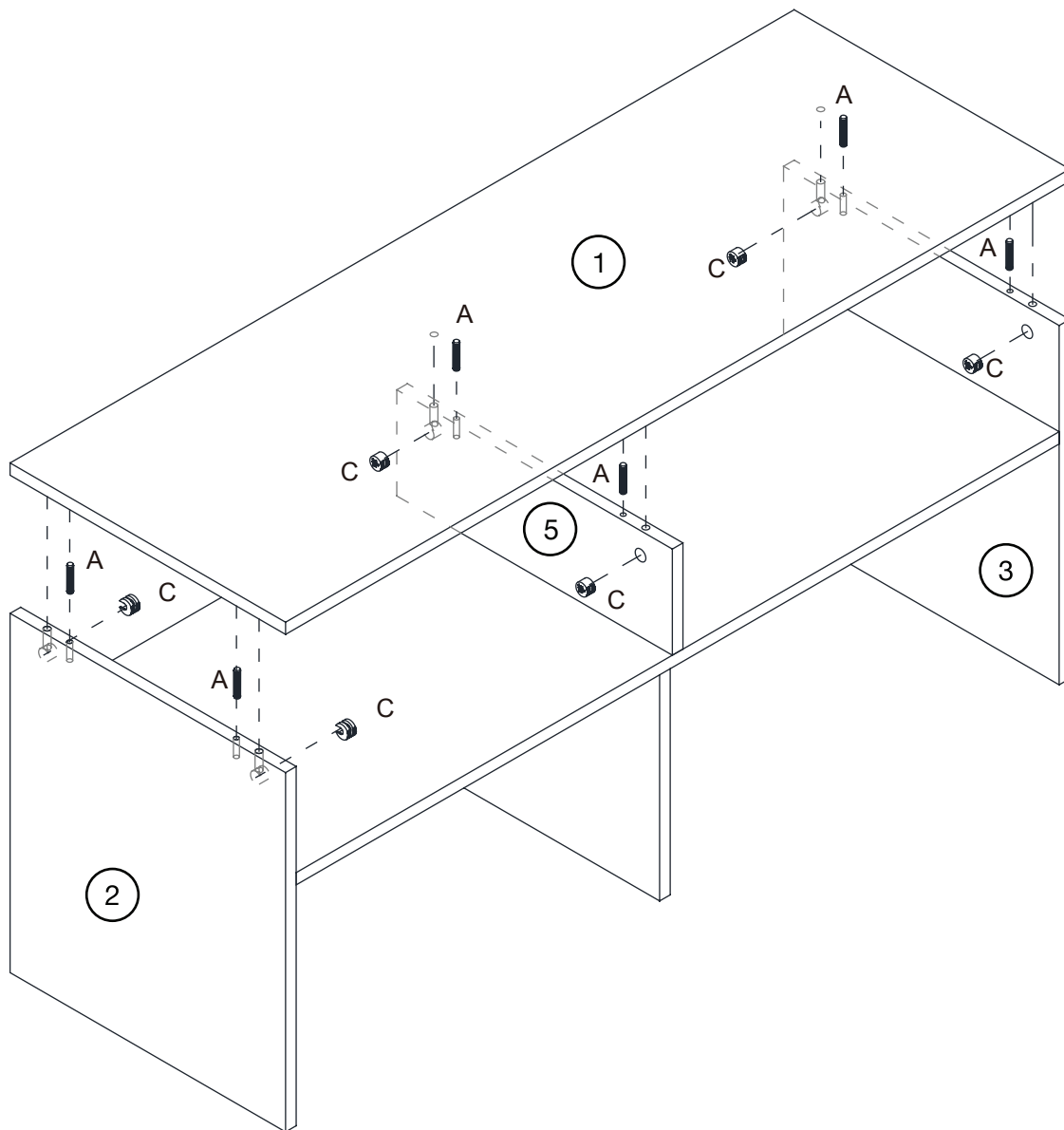
Take the Left Side Panel (2) and Right Side Panel (3) from Step 2 and secure to the Center Shelf (7).



Step 6

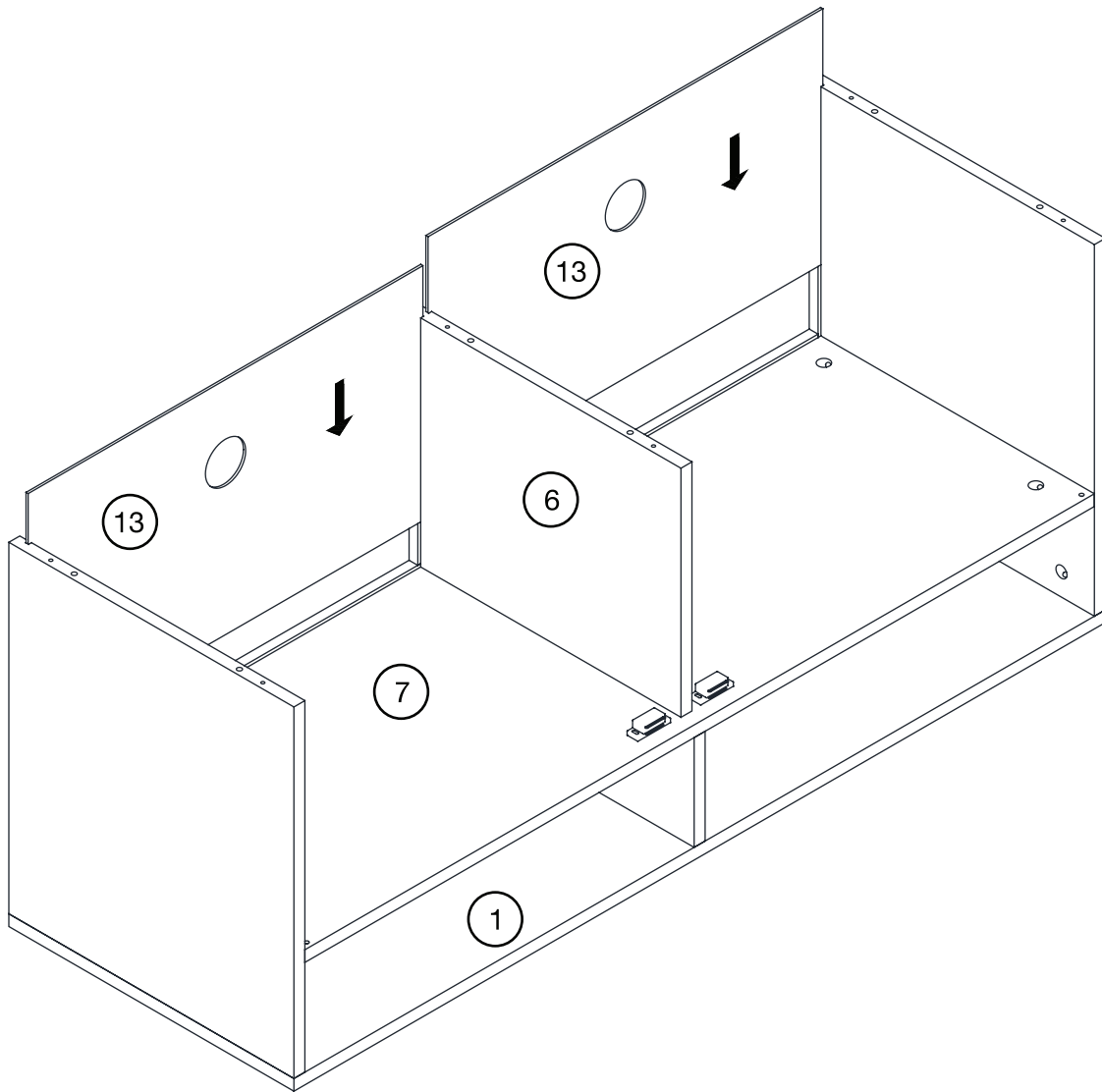
After this step, you are OVER halfway there!! You got this!

Secure the Top Panel (1) to what you've built so far from Step 5.



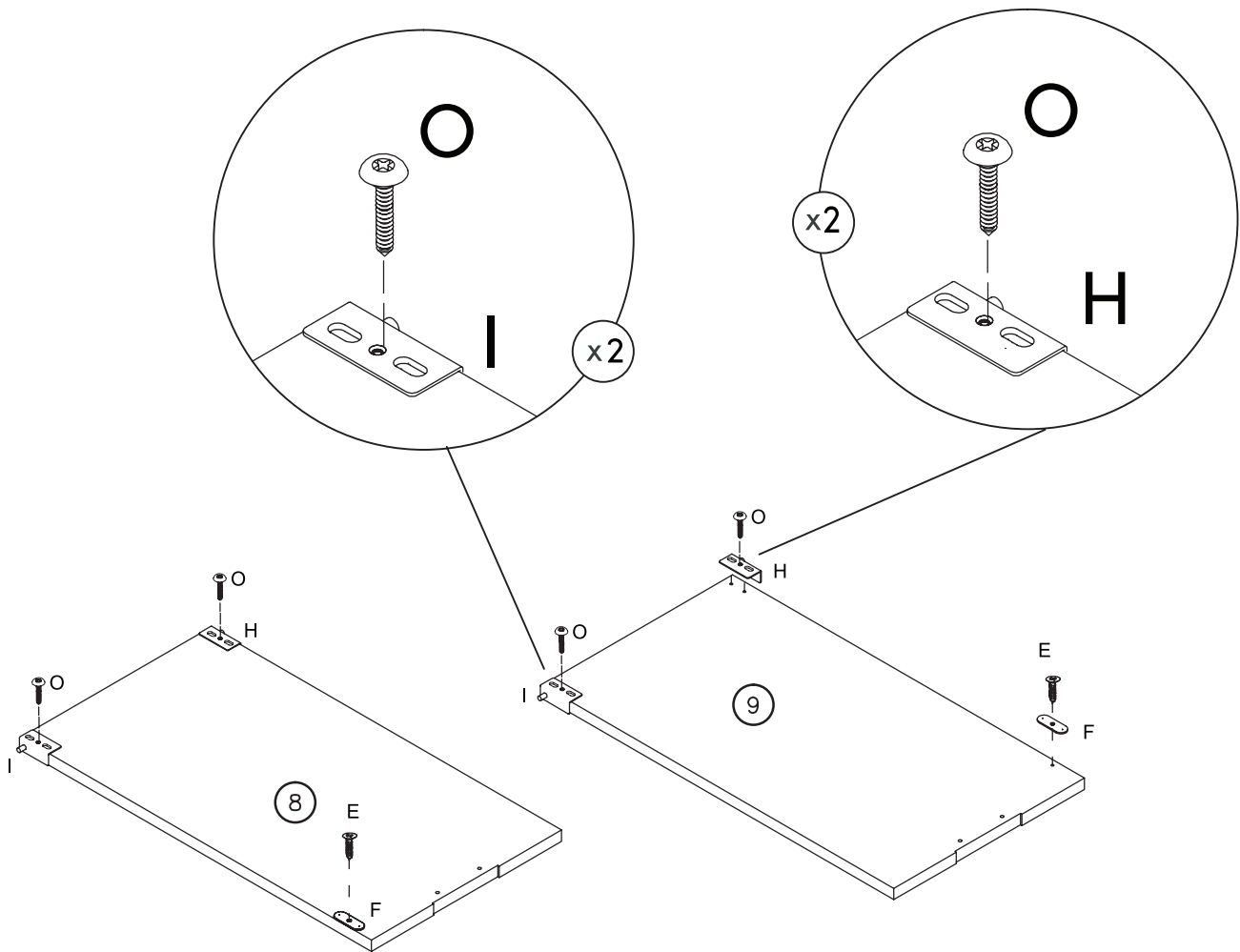
Step 7

Carefully slide in the Back Panels (13). Now would be a good time to order that pizza you've been thinking about since Step 1.



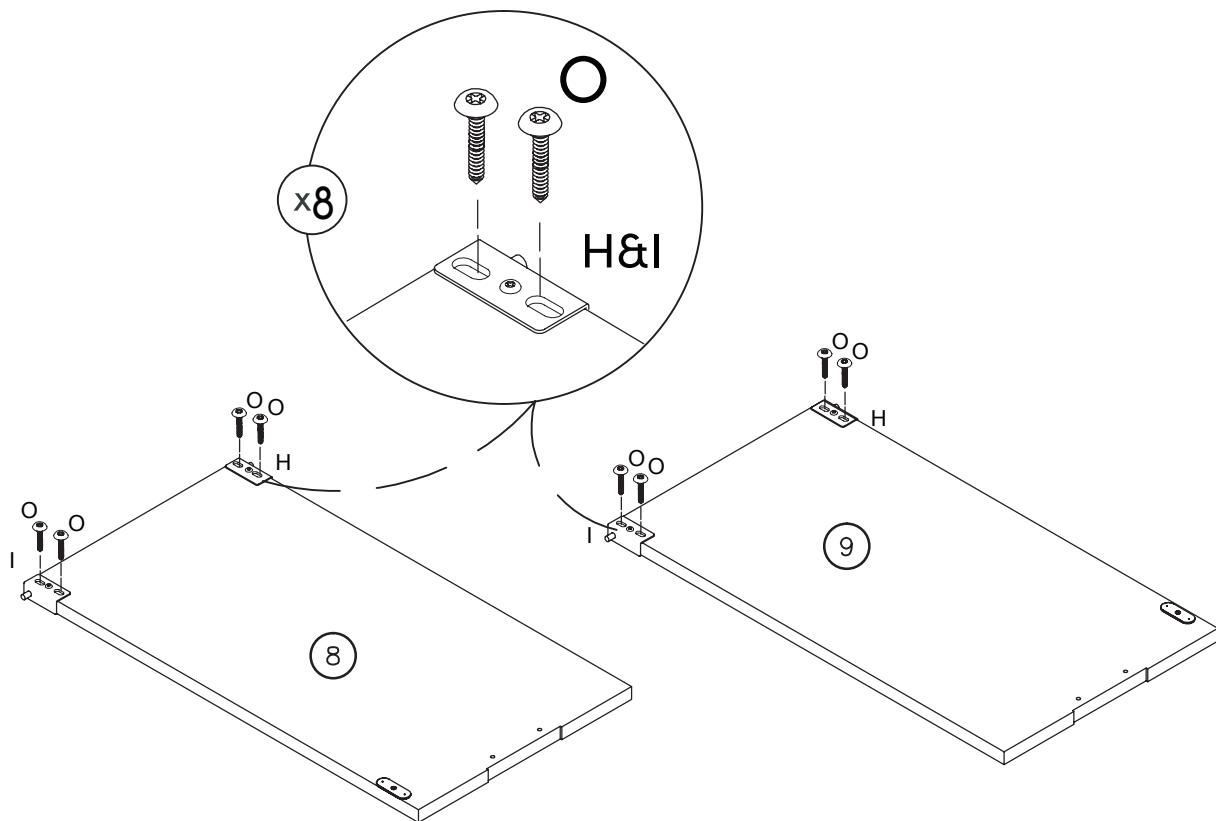
Step 8

Secure the Metal Hinges (H) and (I) and Door Catch Plates (F) onto the doors.



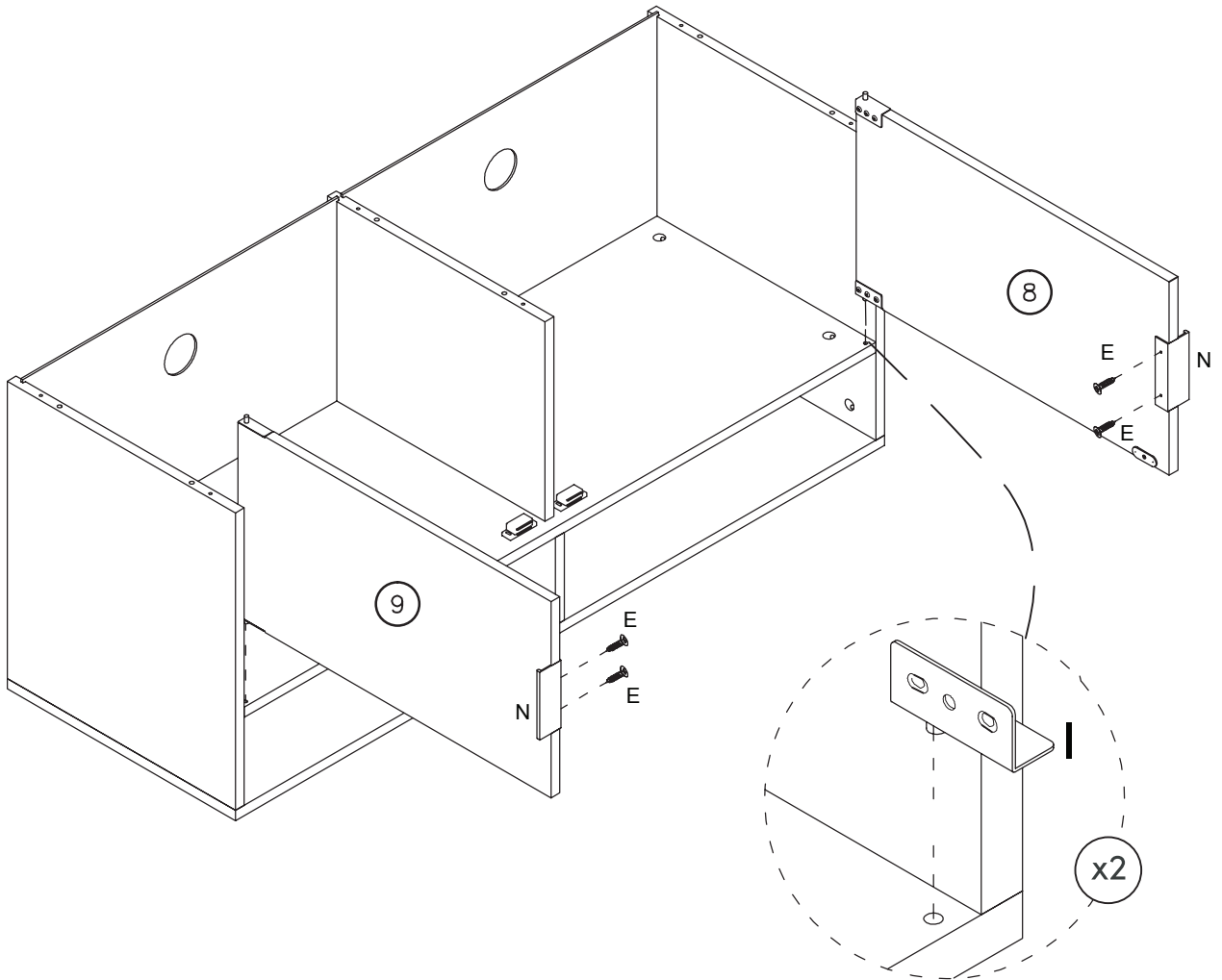
Step 9

Don't put those doors away quite yet! Finish securing the Metal Hinges (H) onto the doors.



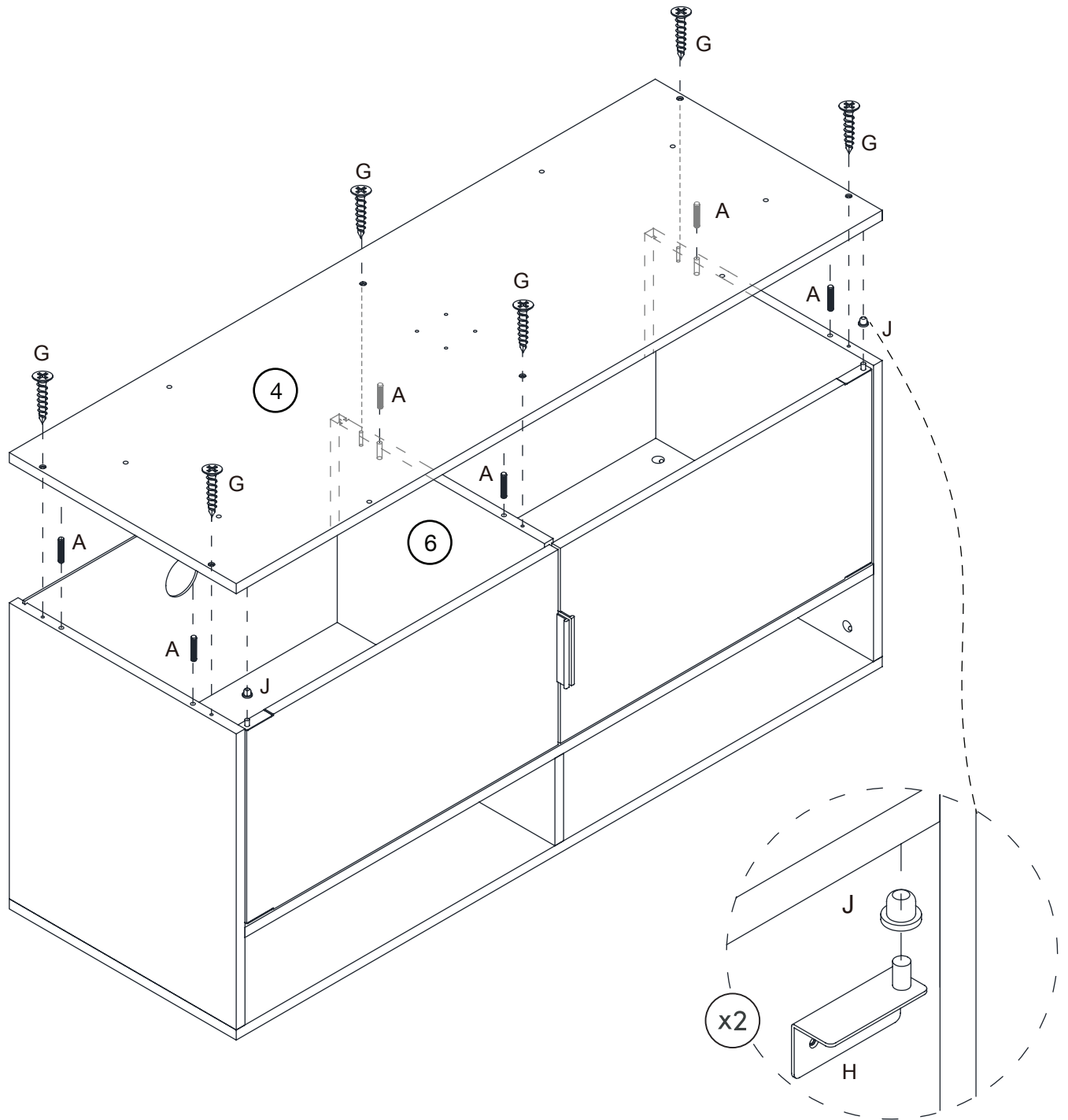
Step 10

Take the doors and secure it to what you've built so far, being sure to line the Top Metal Hinge (I) with the corner hole on the unit. It's all coming together!



Step 11

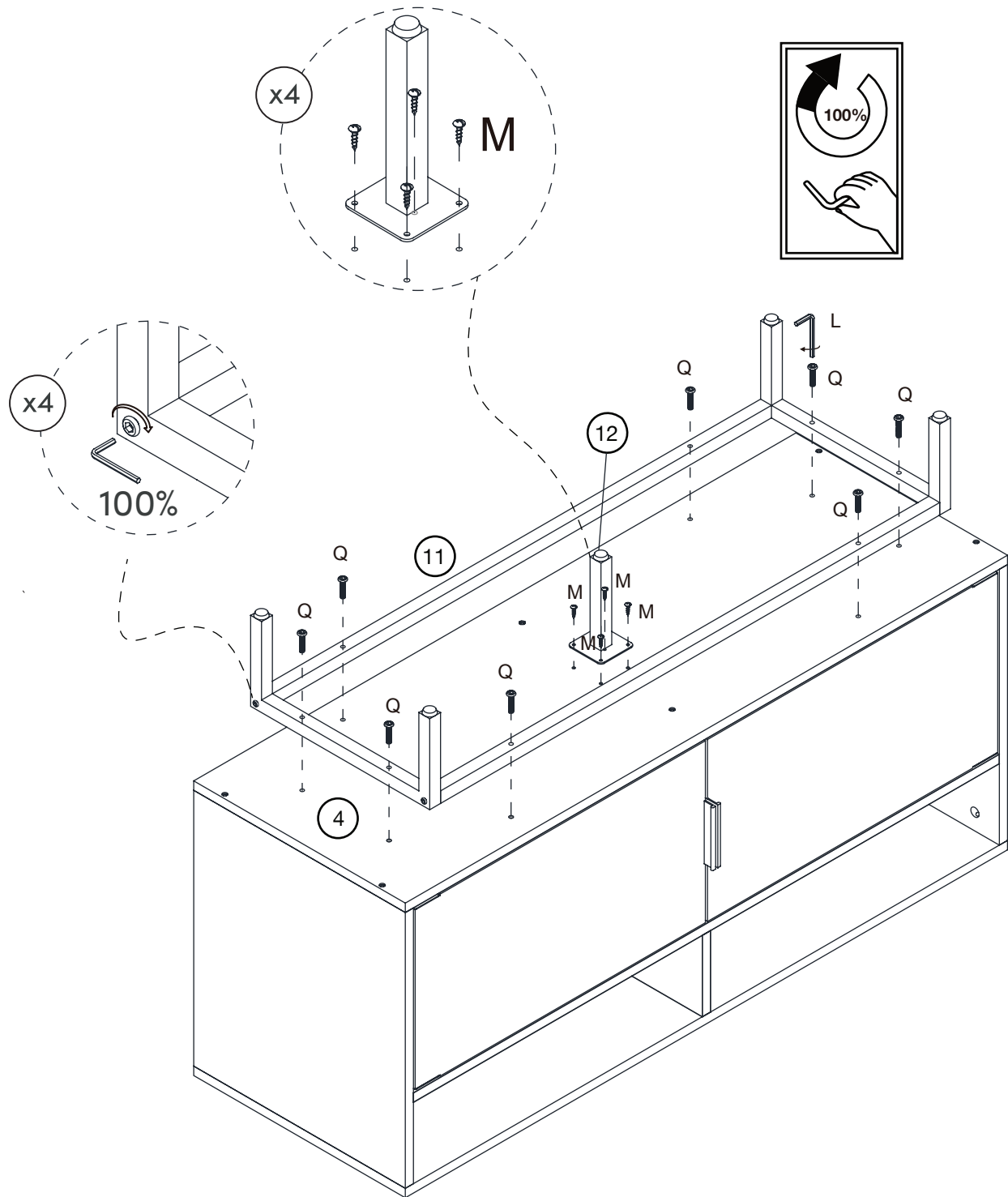
Now that the doors are secured, attach the Bottom Panel (4) to the unit.



Step 12

Time to attach the legs! For this step, please tighten to 100%.

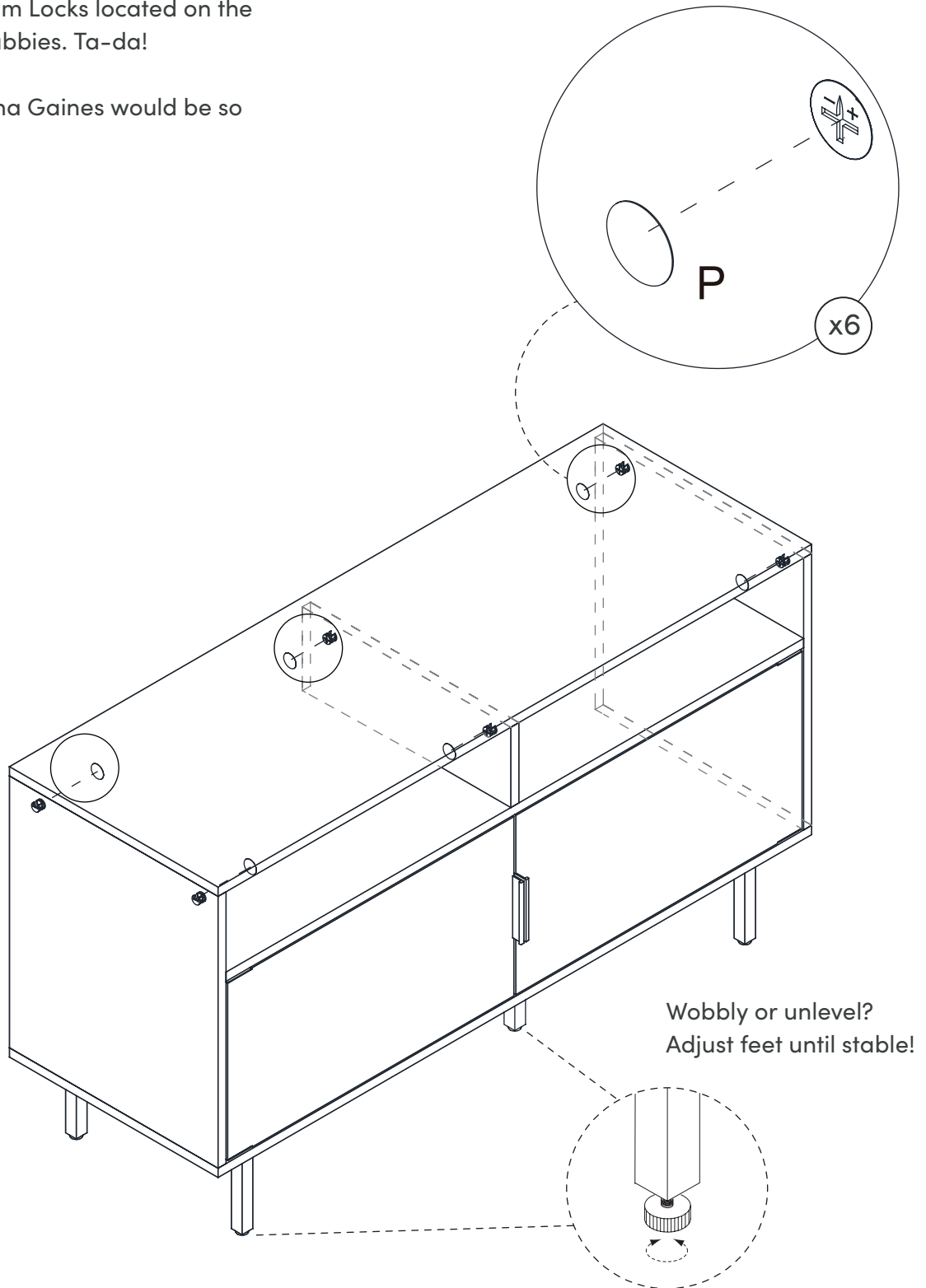
Is that pizza here yet?



Step 13

This may be our favorite step of all (and we have a feeling it's going to be yours, too). Place the PVC Stickers (P) over the Cam Locks located on the inside of the cubbies. Ta-da!

Chip and Joanna Gaines would be so proud.

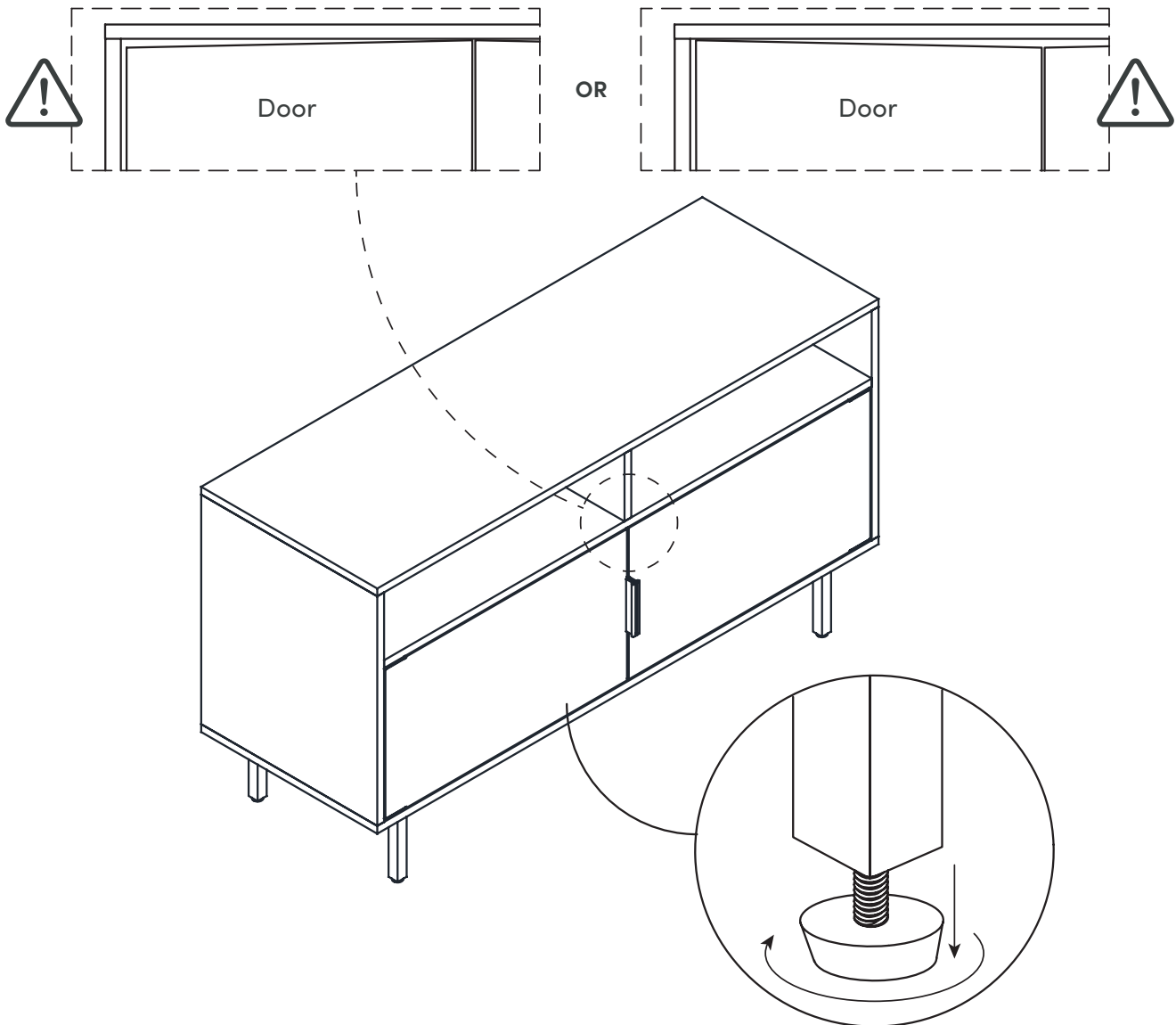


Are the doors on your TV cabinet jamming or looking crooked?

If your TV cabinet is experiencing issues with the doors jamming or not closing properly, try adjusting the adjustable foot on the middle support leg under the unit.

This will prove to be especially helpful if you didn't start to notice an issue with the doors until after you started filling the cabinets, shelves, etc.

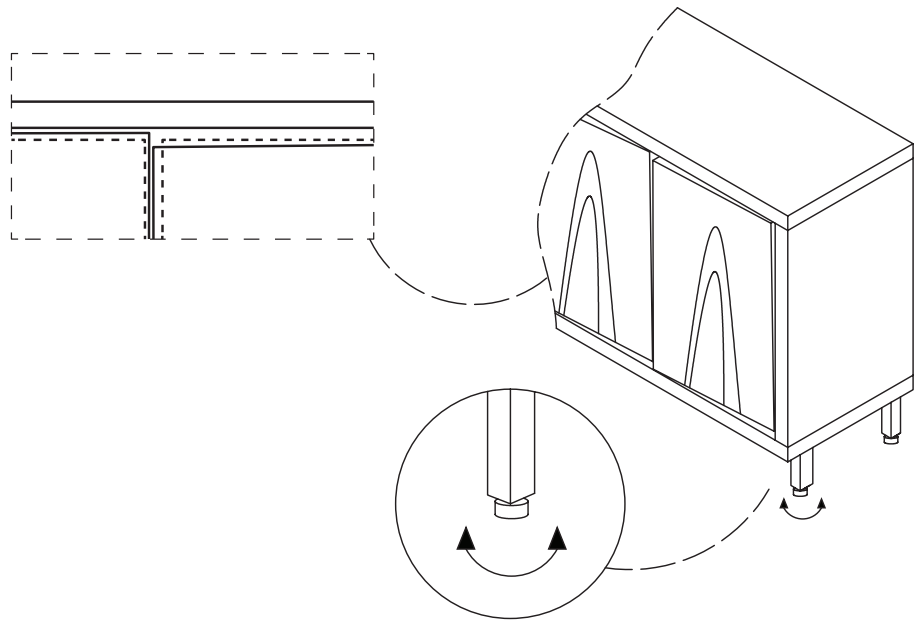
The adjustable nature of the middle support leg is specifically intended to help prevent the middle of the unit from sagging when loaded with all of your belongings.



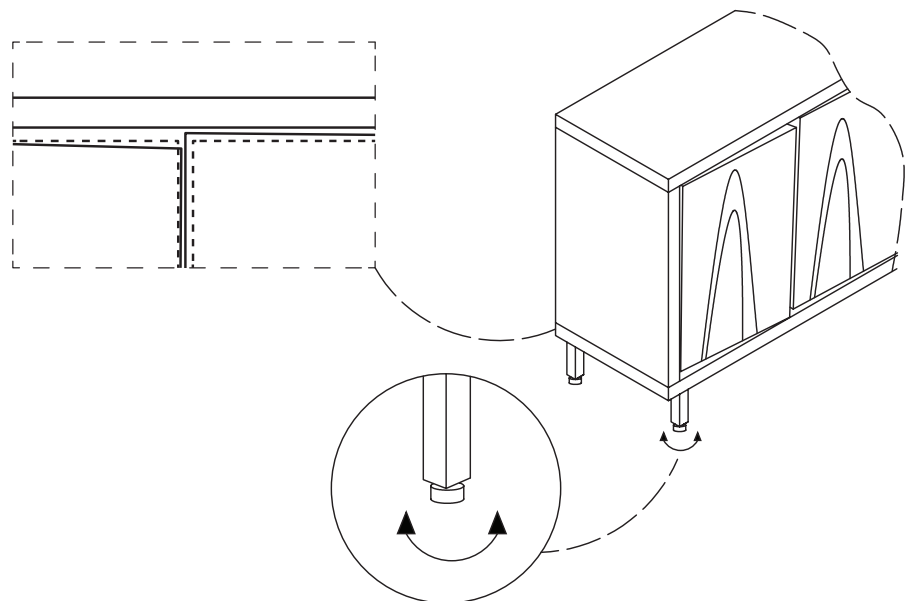
Is your cabinet door looking crooked or unevenly spaced? (Cont.)

If you're still having trouble lining everything up, your next step should be to try to adjust the feet slightly to square up the cabinet and doors. Follow the instructions below:

If the right door appears to be hanging low, you can adjust the adjustable leveler on the front right until the door is better aligned.



If the left door appears to be hanging low, you can adjust the adjustable leveler on the front left until the door is better aligned.



Our way



Give us a call



Replacement



You

Their way



Re-package item



Schedule pick up



Track package



Replacement



You

We really don't want you to go through the hassle of re-packaging your item and sending it back, because let's be honest...nobody has time for that.

Safe use of this product starts with you.

Use this media unit responsibly with the primary concern for your safety. Follow assembly instructions carefully and inspect product upon receipt and each use.

its parent companies cannot be held legally responsible for any injuries or death resulted from failure to follow instructions or improper use of this product.

Do not modify the structure of this product in any way.

Our products have been tested to meet specific safety measures as they were originally intended to be sold. Any modifications will present the risk of creating significant safety issues which NJ will not be responsible for.

Proper use

- DO NOT** use for commercial purposes
- DO NOT** climb on media unit
- DO NOT** exceed weight limit
- DO NOT** leave spilled liquid on media unit
- DO NOT** use if unit is damaged or broken
- DO NOT** make temporary repairs
- DO NOT** use outdoors

We do our best to ensure your furniture arrives without any problems, but occasionally mistakes happen—as humans we are imperfect beings. In the event that a part is damaged or missing, we will be more than happy to provide you with replacement part(s) for free.

Warranty

This product comes with a lifetime warranty from the date of purchase.