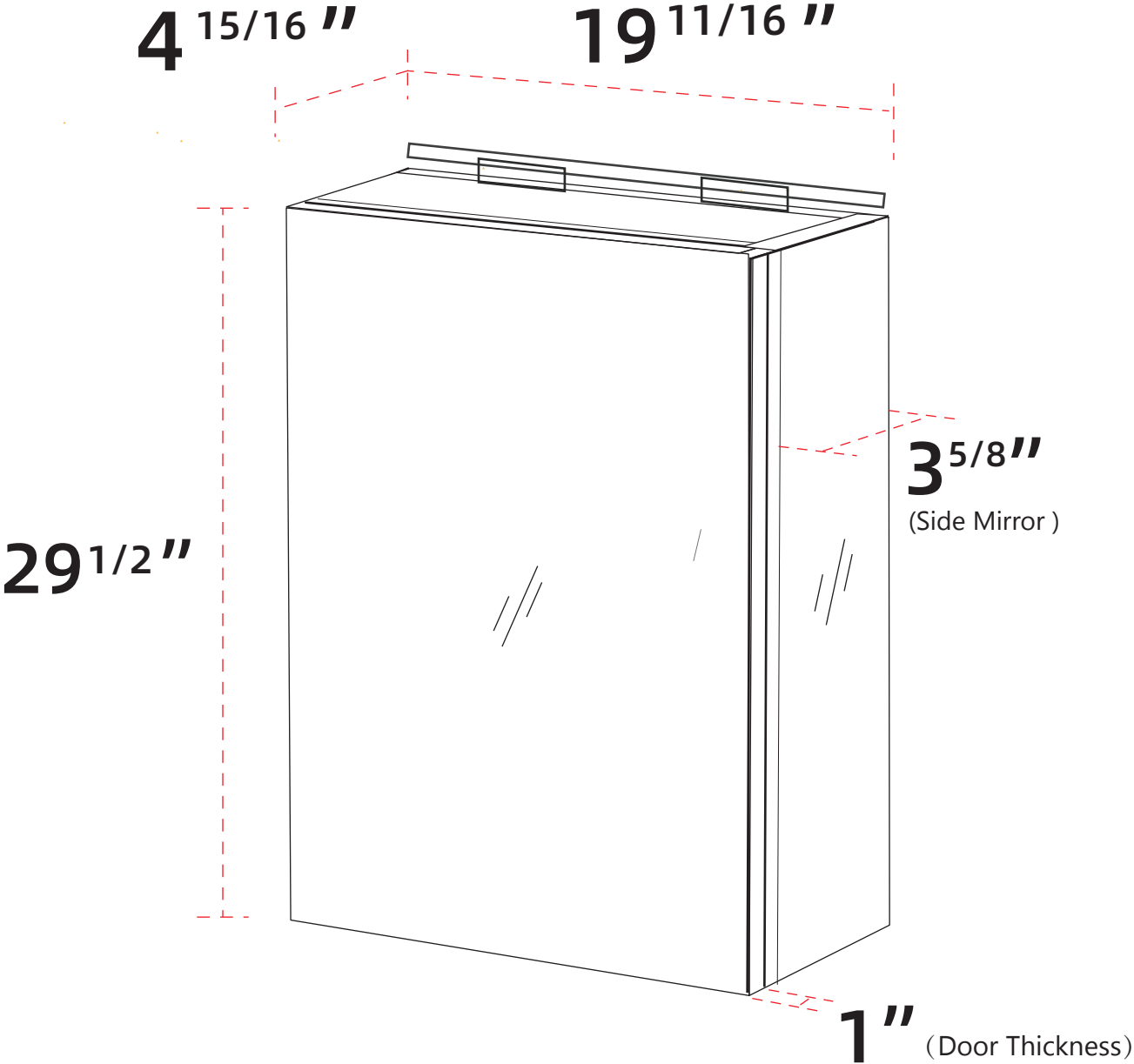


SIZE DETAILS

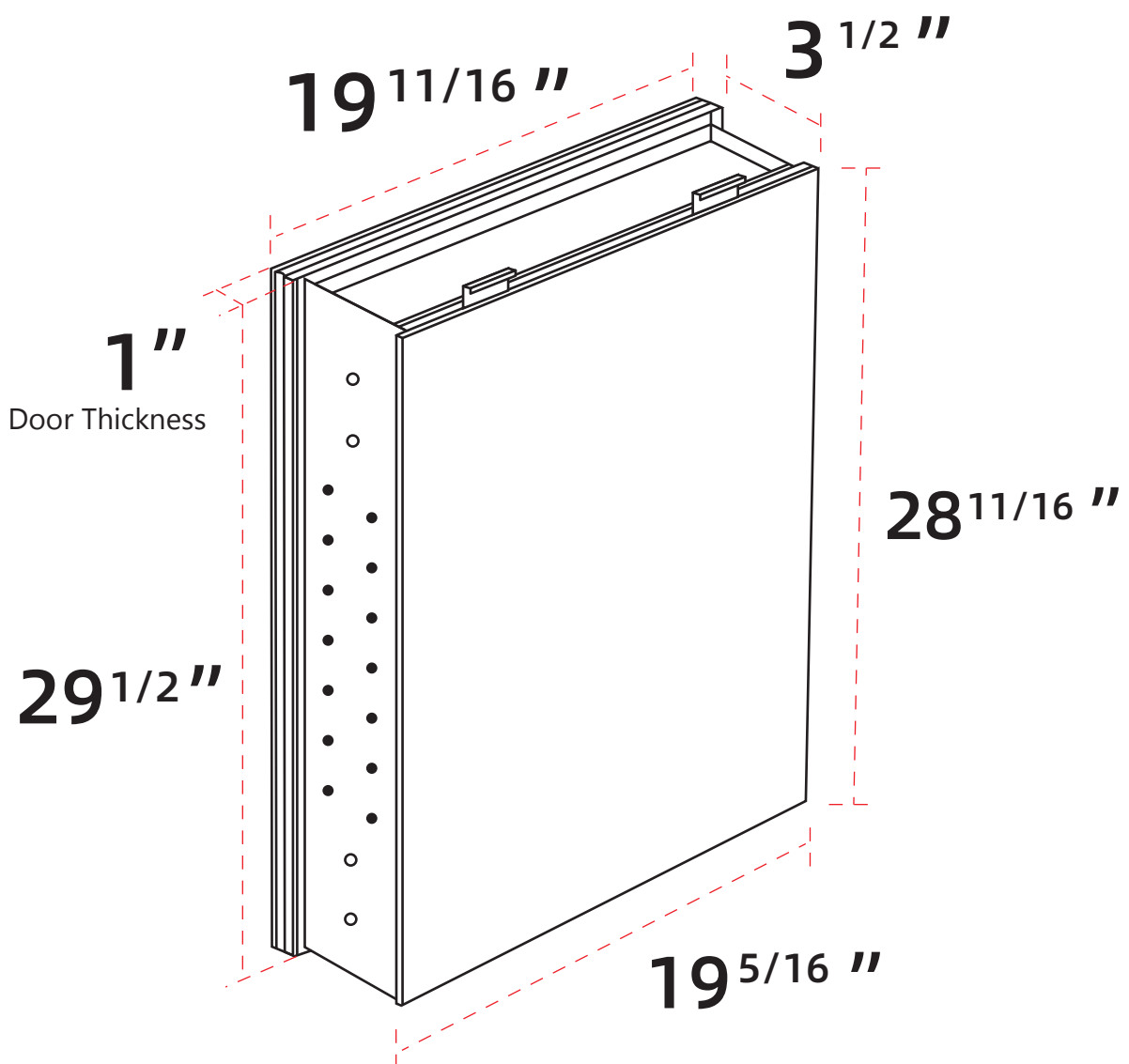
HIGH QULITY MEDICINE CABINET



(FRONT VIEW)



(BACK VIEW)



The Opening Size for Recessed Mount

Width 19 ³/₈" (492mm)

Height 29 ³/₁₆" (742mm)

Depth ≥ 4 ⁵/₁₆" (≥ 110mm)