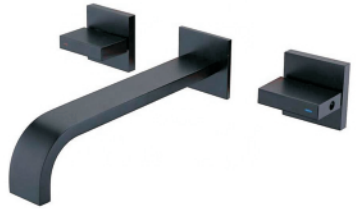


BASIN FAUCET INSTALLATION MANUAL



1139



1007

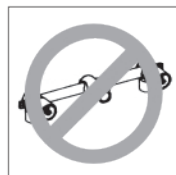
CONTENT

1:Installation Condition	P1
2:Model:1139 Basin Faucet Installtion	
Basin faucet Accessories List	P2
Hose Connection Travel	P2
Basin Faucet Installation Step 1	P3
Basin Faucet Installation Step 2	P4
3.Model:1007 Wall Mount Basin Faucet Installtion	
Wall Mount Faucet Accessories List	P5
Installation Size Dimensions	P6
Installation Depth Of Main Body	P7
The main body to install(ongrete wall)	P7
The main body to install(wood wall)	P8
4:Care and Maintenance	P9

Installation Condition



1.Refer to the 《Standard Part List》 when unpacking ,
check all parts available .

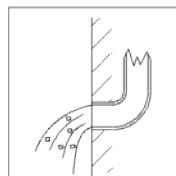


2.Do not disassemble mixer body by yourself.



3.Connect inlet hoses to supply valves.

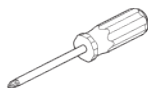
4.Make sure inlet pipes and supply valves have been
installed and cleaned, also ensure no impurities in
pipeline.



5.After installation , check all joints for leakages.

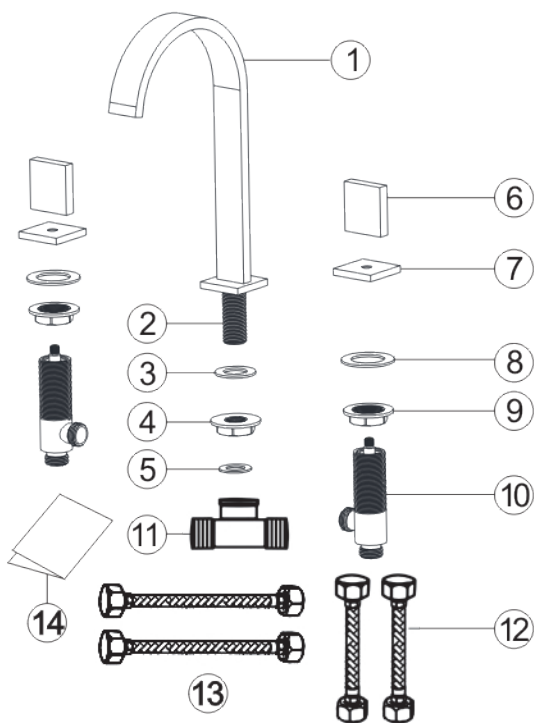
6.Suggest don't fit the faucet in the severely corrosive
environments.

YOU MAY NEED:

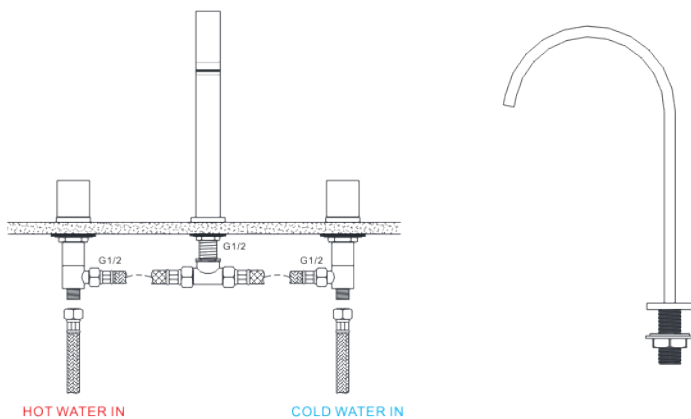


Basin Faucet Standard Part List

NO	Part Name	Quantity
1	Faucet Body	1
2	Brass Part	1
3	Faucet Body Gasket	1
4	Nut	1
5	Tee Gasket	1
6	Handle	2
7	Decorate Cup	2
8	Handle Rubber Ring	2
9	Handle Nut	2
10	Control Water Body	2
11	Tee	1
12	Inlet Hose	2
13	Hot And Cold Hose	2
14	Instruction Manual	1



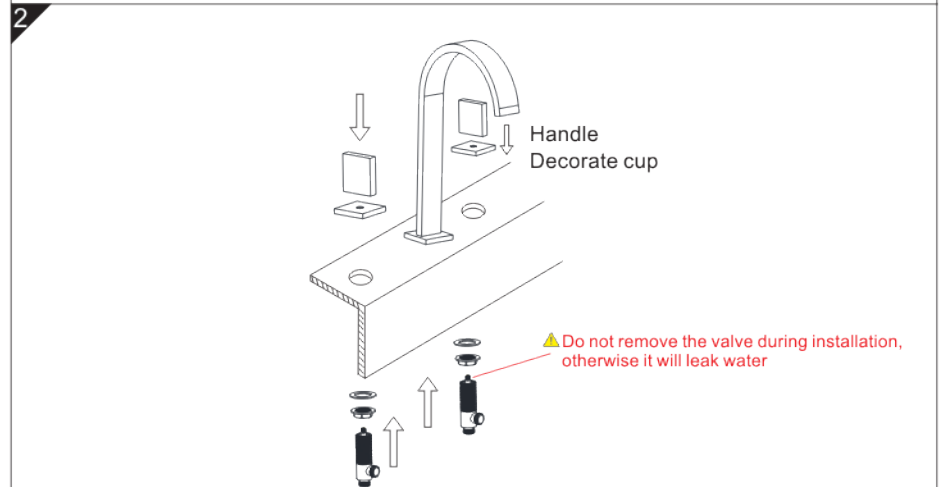
Hose Connection Travel



Basin Faucet Installation Step 1

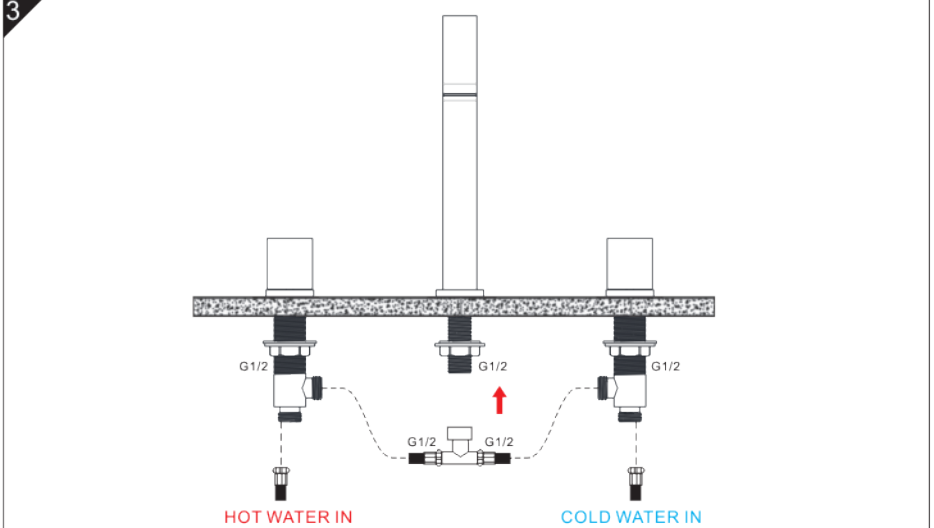


Put the Brass Part through the basin hole. Install Faucet Body Gasket and Mounting Nut in sequence and tighten the nut with a wrench. Then put Tee Gasket into Tee and connect Tee to Brass Part.

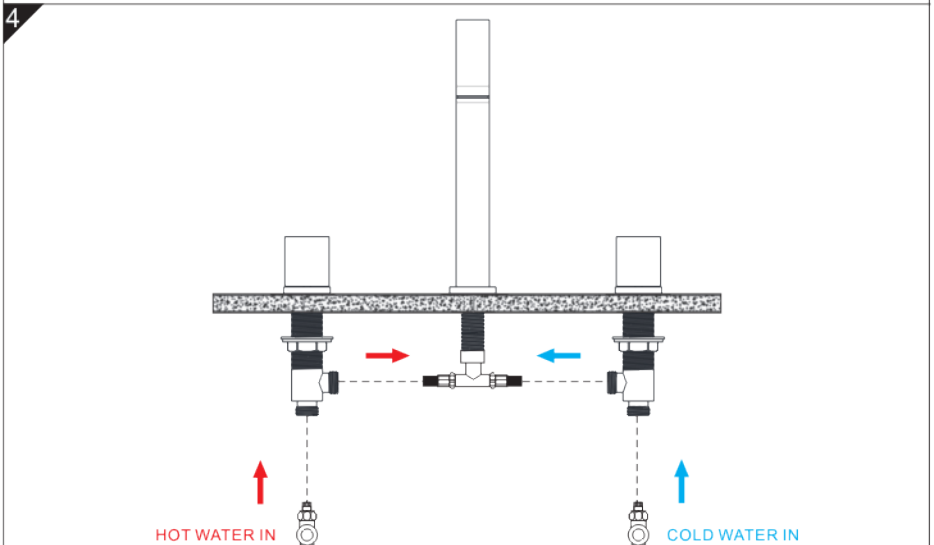


Remove the Decorate cup and put them on the basin holes. Connect the Control Water Bodies with Decorate cup from the underside of the basin holes, and tighten them. Finally install the Handles and tighten them. (Not to disassemble the valve by yourself, otherwise leakage will occur.)

Basin Faucet Installation Step 2



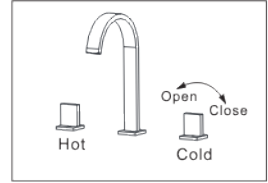
Connect one side of the Inlet Hoses to the Control Water Bodies, the other side to Tee, and tighten them. The red hose is for hot water and the blue hose is for cold water.



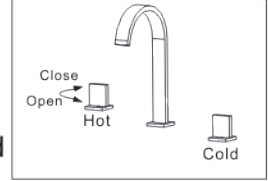
Separately connect another two inlet hoses (please buy them by yourself) to angle valves and control water bodies, left connect to the hot water, right connect to cold water.

Basin Faucet Application Instruction

1: Operating handle gradually is better for valve protection

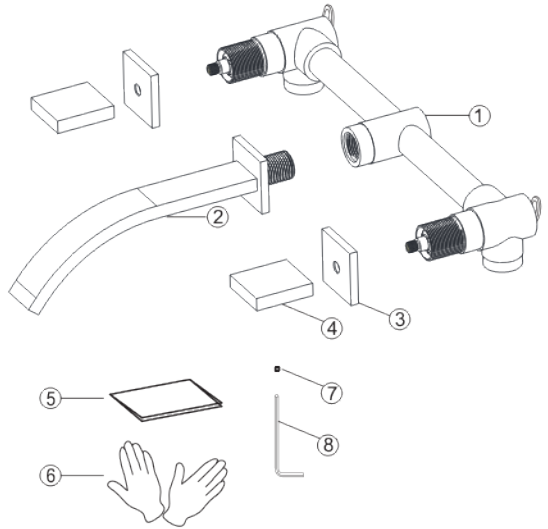


2: The handles turn right or left is to open or close. The larger the rotation angle, the larger the flow rate. Conversely, the smaller the rotation angle, the smaller the flow rate. Mixed warm water when the cold water handle and the hot water handle are opened at the same time.



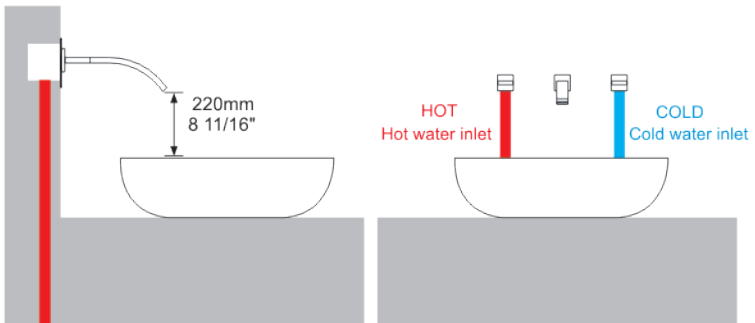
Wall Mount Faucet Standard Accessories List

1	Main body	1
2	Spout	1
3	Handle cup	2
4	Handle	2
5	Instruction manual	1
6	Gloves	2
7	Handle screw	2
8	Wrench	1



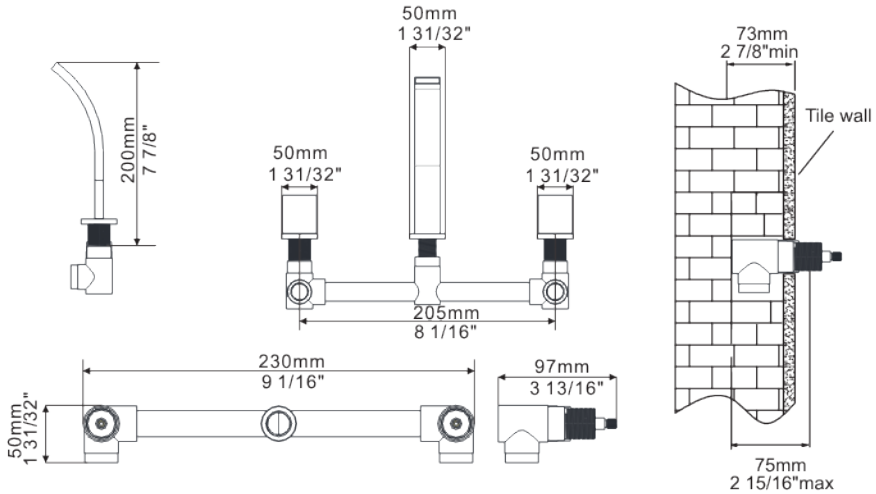
Installation Size Dimensions

Unit:mm/inch



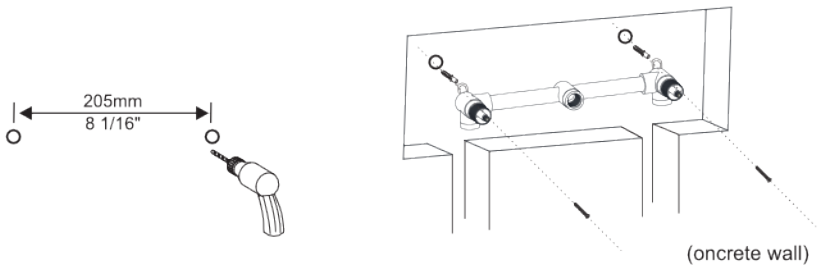
Installation Depth Of Main Body

Unit:mm/inch



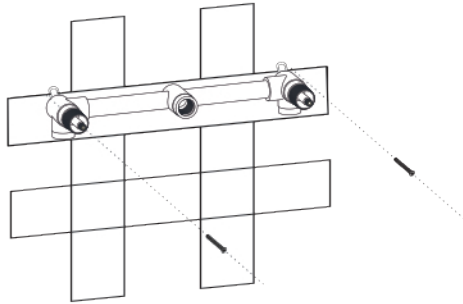
Notice: The installation depth of main body should be no less than 2 7/8" (73mm) and no more than 2 15/16" (75mm), including the thickness of tile. Otherwise, the handle cup cannot be installed.

The main body to install(Concrete wall)



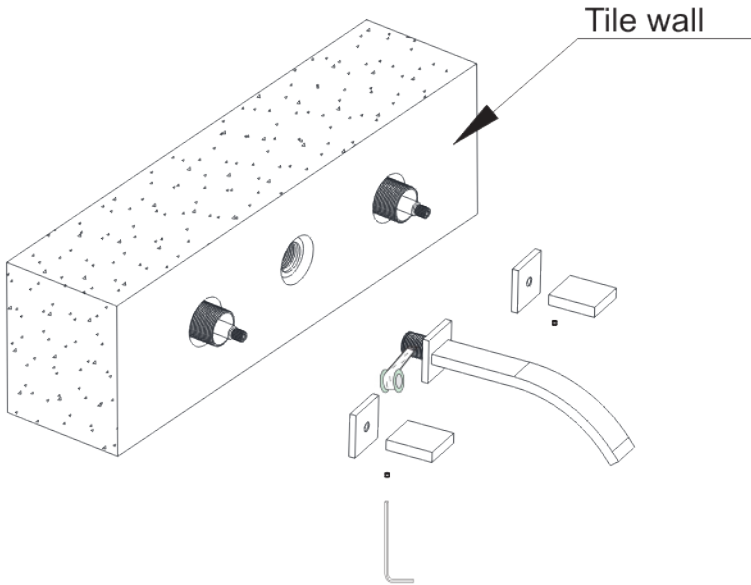
1. Make marks according to the size of the main body valve, and then drill anchors into the wall. (concrete wall)
2. Install the screw sleeve into the drilled hole first, and then fix the main body with the screw. Connect the hot and cold water inlet pipes. Finally seal the main body with concrete (note: do not block the connection hole where the spout is installed in the middle of the main body)

The main body to install(wood wall)



(wood wall)

Lock main body to wood directly with screws.(wood wall)



Binding Handle cup、 Handle、 Spout in order , and then lock the handwheel with screws.

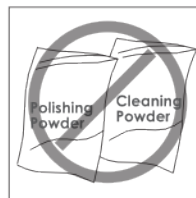
Care and Maintenance

In order to keep the mixer surface bright , please clean the mixer regularly.

Rinse faucet with clean water and wipe with soft cotton cloth.

Avoid using cleaning powder , harsh cleaning chemicals, brushes, and cloth with coarse surface to prevent scratching and corrosion.

Do not use acid cleaner to clean the faucet as it may cause surface corrosion of the faucet. If the faucet comes into contact with harmful acid substances, please rinse it with water immediately.



If a large-scale clean-up is necessary, follow these procedures:

1: Use clean water and soft cloth to remove dirt on the surface as much as possible.

2: Use one of the following cleaners to remove dirt on the surface

Mild liquid cleaner.

Colorless glass cleaner, powder cleaner which does not have abrasive function and can be dissolved completely.

Polish liquid which does not have abrasive function.

3: After cleaning, remove the cleansing agent with clean water completely and wipe with soft cotton cloth.