

HONBAY

HONBAY

English / Español

LZ207

Transform Living

E-mail: Support@honbayus.com

REV.1

Assembly Instructions

Modular Sectional Sofa

English

Assembly Instructions



1-2

People Assembly



45~

Minutes Assembly



NOTICE:

- ◆ Please retain these instructions for future reference.
- ◆ Please read the instruction sheets completely before assembly. Remove all parts from the carton and ensure all components are included before assembly.
- ◆ Assemble the sofa on a protected surface to avoid scratching the components of the sofa. Be careful not to cross-thread screws.
- ◆ You can use a wooden hammer to help assemble to make sure the joints and tubes are assembled in position.
- ◆ Two people are recommended for assembly!
- ◆ When you assemble your sofa, if you smell a weird smell of the material, please don't worry it's very Normal. What you should do is to air it for 1or 2 days on your balcony, patio, or near your window. Honbay Sofas have been certified by the environment authority. So please don't worry it won't hurt your health, it's completely safe.

RETURN/DAMAGE CLAIM INSTRUCTIONS:

- ◆ This item is shipped in multiple separate boxes. If you only receive one box, please wait patiently for the rest of boxes. If you have not received the rest of boxes within two working days, please contact us immediately. Our email address is Support@honbayus.com.
- ◆ If the package is damaged, please contact us as soon as possible and attach the damaged photo. Return Policy: This item can be returned within 30 days without any reason. If you return this item for personal reasons, you need to bear the freight of returns and order processing fee (0-50% restocking fee based on the invoice price). If the product has quality issues (not caused by humans), we will bear the freight.
- ◆ If you need to return the goods, please keep the original box. Please make sure to use the return label provided by us and do not return it without permission. Please do not share a label with multiple boxes.
- ◆ If you return the product after 30 days from receiving it, we are afraid that your return application won't be accepted. We appreciate your understanding.
- ◆ The warranty product is one year. If this item is damaged within the warranty period we will arrange you the replacement parts free of charge. If the item is damaged for some personal reasons, we could also replace it for you, however you need to bear the transport fees.

CLEANING AND MAINTENANCE OF LEATHAIRE SOFA

- ◆ The washing method of the leath-aire sofa should be dry cleaning to prevent shrinkage deformation. Please do not bleach. Leathaire sofas vacuum at least once a week, paying particular attention to removing dust between fabric folds.
- ◆ If you accidentally stick to the beverage, coffee, tea stains on the sofa, please wipe the surface of the leathaire sofa with the mixture of white vinegar and baking soda. Please use a dry cloth to wipe off the moisture on the surface after wiping.
- ◆ Please gently pat and tidy the cushions and backrests of the sofa frequently to keep them beautiful;
- ◆ Please note that the leathaire sofa is not machine washable, as it is a kind of nano sealing glue technology. Please do not tear it with great force. It will destroy the sealing glue on the surface of leathaire fabric, resulting in damage on the surface of the fabric and more serious damage.
- ◆ If wrinkles occur, please iron it with a steam iron at a temperature between 158°F and 176°F.



CLEANING AND MAINTENANCE OF FAUX LEATHER SOFA

- ◆ Please use leather-specific cleaners and care solutions for comprehensive cleaning and care after first purchase. PU sofa should be placed in a suitable temperature, ventilation place where the sun cannot shine directly to avoid leather discoloration or discoloration.
- ◆ Clean the sofa regularly with a clean white cotton cloth. The leather surface can be applied evenly with a special leather cleaner or glossing agent, and then dried later with a clean, soft cloth. Prohibit the use of oily leather care solutions.
- ◆ If you accidentally spilled tea, drinks, soup on the sofa, please wipe clean with a clean white cotton cloth in time. If there are traces of residue, please use a special cleaning agent or tableware cleaner water (cleaner: water : 1: 10), dilute it and then dry with a clean white cotton cloth. Please gently pat and tidy the cushions and backrests of the sofa frequently to keep them beautiful.
- ◆ The surface of the sofa is easily contaminated by grease and sweat from the skin, hair, dirty hands, and dirty clothes. It is recommended to put a piece of decorative cloth on the head and arms to protect the sofa.
- ◆ If wrinkles occur, please iron it with a steam iron at a temperature between 158°F and 176°F.



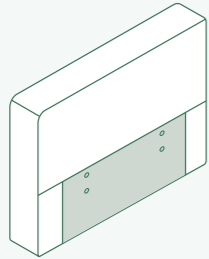
CLEANING AND MAINTENANCE OF FABRIC SOFA

- ◆ Fabric sofa should be regularly removed with a vacuum cleaner or brush to prevent dust or stains from staying on the fabric for a long time. Fluffing the seat cushions and pillows every week, whether in use or not, will help adjust the density of the padding so that it is even and fluffy back to its natural state. Especially when you often sit in the same position, you need to frequently change the position of the seat cushion to make the cushion force uniform.
- ◆ If you accidentally stick to the beverage, coffee, tea stains on the sofa, please wipe it with a white cotton cloth or absorbent paper towel. If there are residual traces, please wipe the stain with 50% of water and 50% of the solvent of white vinegar, and then clean the stain with neutral soap, or wipe the stain with a piece of soaked cotton cloth. Then use a dry white cloth or absorbent paper towel to absorb the remaining liquid, and finally dry it gently with a blower.
- ◆ If you accidentally splash oil on the sofa, please use absorbent paper to gently wipe off the residual oil. Please gently wipe stains with a piece of pure ethane alcohol soaked in a cotton cloth, do not rub, and then use a dry cloth or absorbent paper towel to suck away the residual liquid.
- ◆ Stains such as handwriting and ink should be dealt with immediately when they are first produced. The longer it's on the fabric, the harder it is to remove.
- ◆ The cleaning method of fabric sofa covers is dry cleaning, and bleach water cannot be added. The fabric sofa covers need to be ironed after washing, and the ironing temperature is between 158°F and 176°F.
- ◆ If wrinkles occur, please iron it with a steam iron at a temperature between 158°F and 176°F.

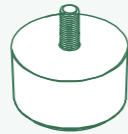


Part List**Carton A**

x 2

**A** Armrest / Single Back Frame

x 4

**1** Plastic Legs

x 4

**2** Plastic Washers

x 12

**3** Screws

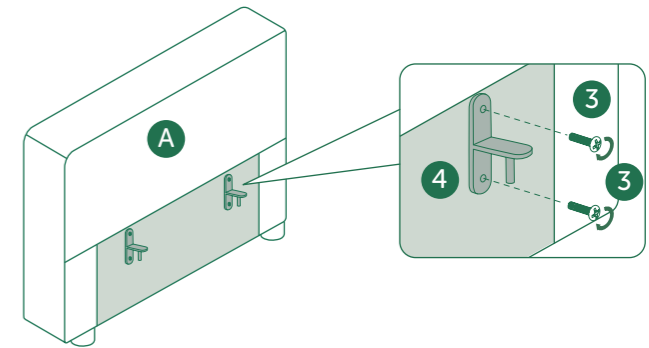
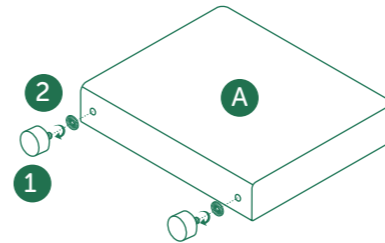
x 4

**4** T-shaped Connectors

Let's start...

TIPS

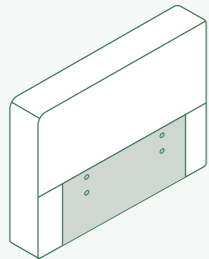
- ◆ Don't tighten the screws one after another immediately until all screws are lined up with holes. Leave some space for adjustment.
- ◆ Screws may be not lined up with the holes. However, if that happens, please loose the screws a little and then tighten them in a diagonal way again.
- ◆ If the product is uneven or unstable after assembly, please loosen the screws, and put strength on it to make sure that all the legs are at the same level. Go on assembling it.
- ◆ Remove all parts from the carton and place them on a protected surface or carpet.

Step 1

Part List

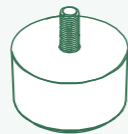
Carton B

x 3



A Armrest / Single Back Frame

x 6



1 Plastic Legs

x 6



2 Plastic Washers

x 15



3 Screws

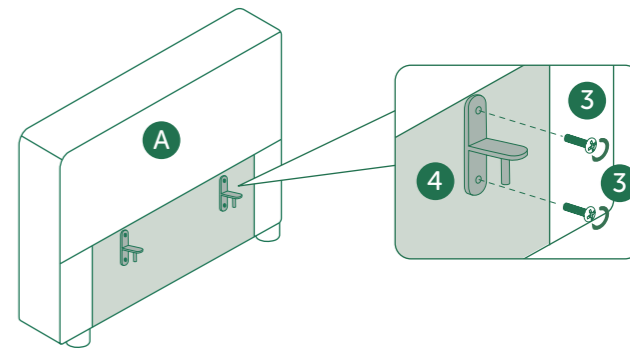
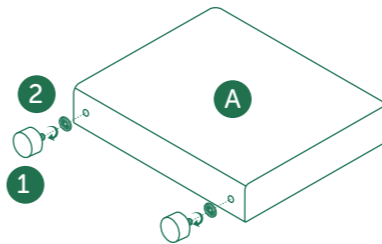
x 6



4 T-shaped Connectors

Start...

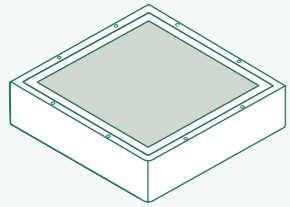
Step 1



Part List

Carton C

x 1



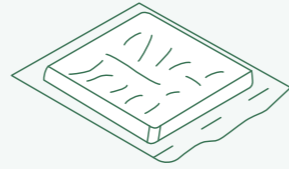
B Single Seat

x 1



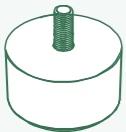
C Single Seat Cushion

x 1



D Single Back Cushion

x 4



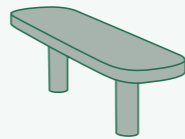
1 Plastic Legs

x 4



2 Plastic Washers

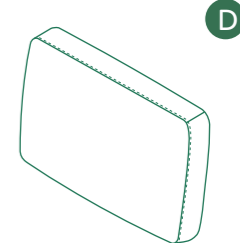
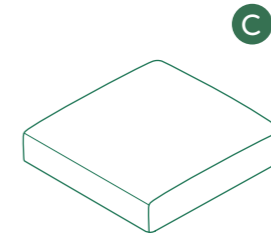
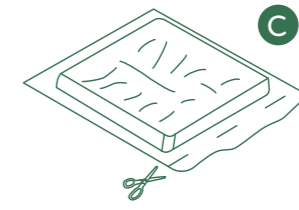
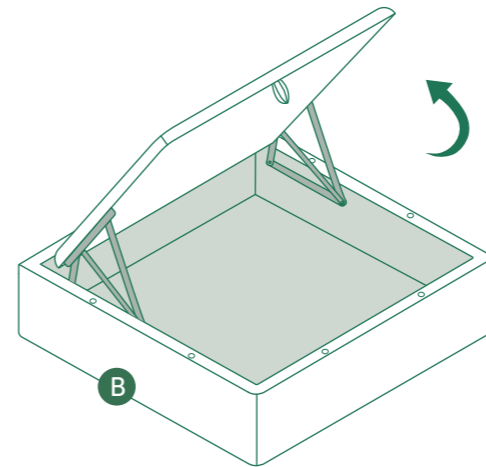
x 2



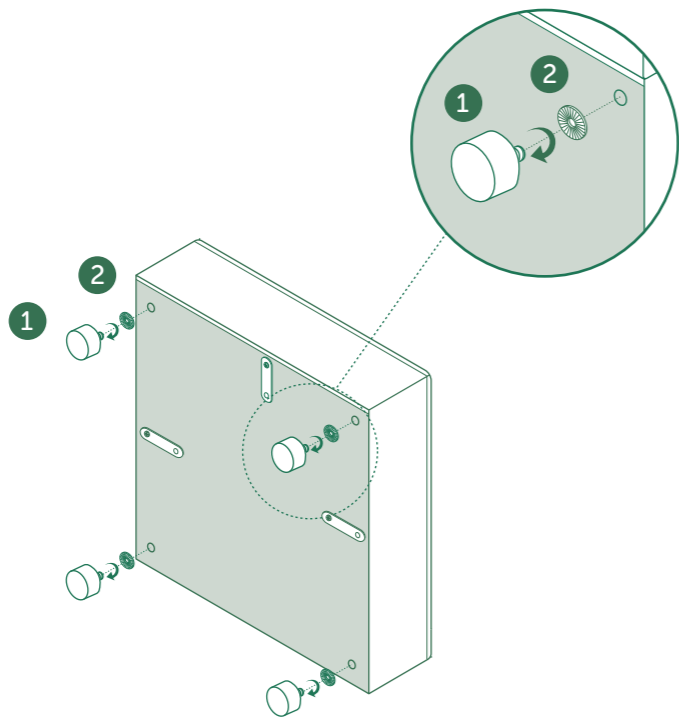
5 U-shaped Connectors

Start...

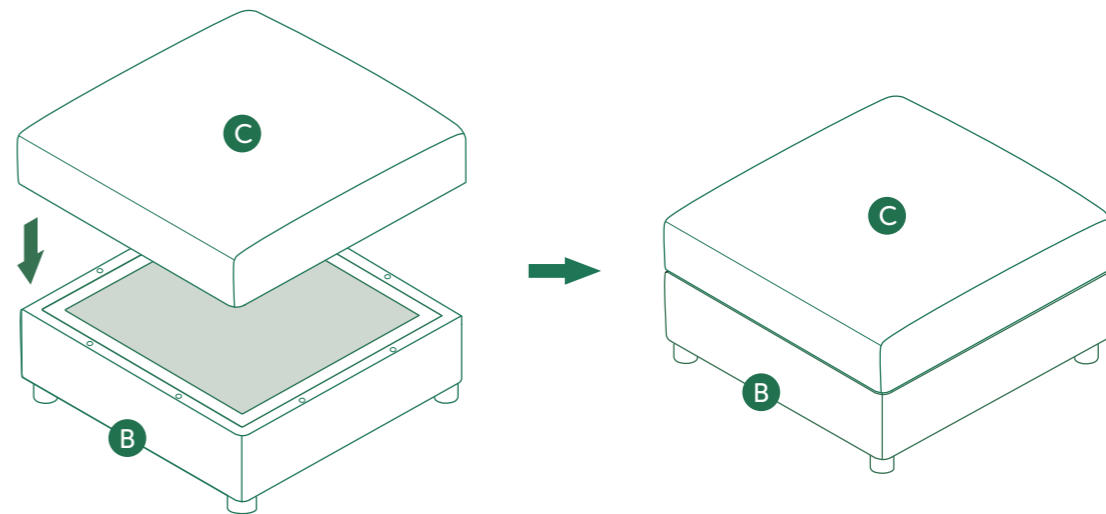
Step 1



Step 2

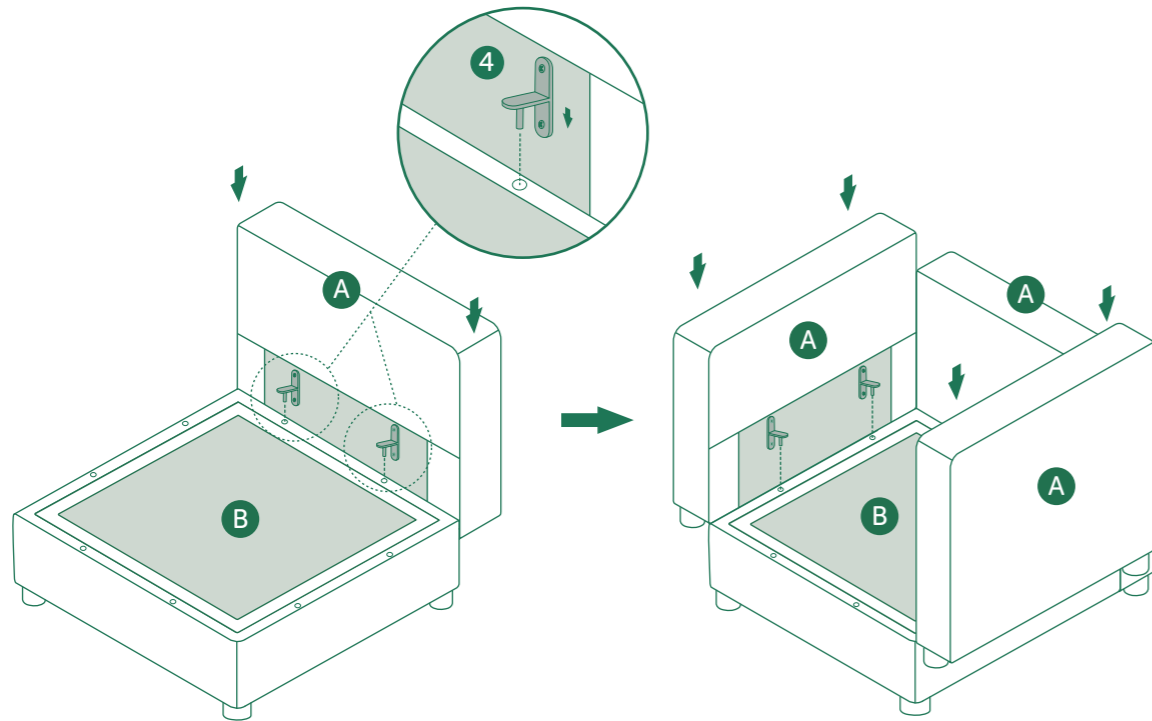


Step 3

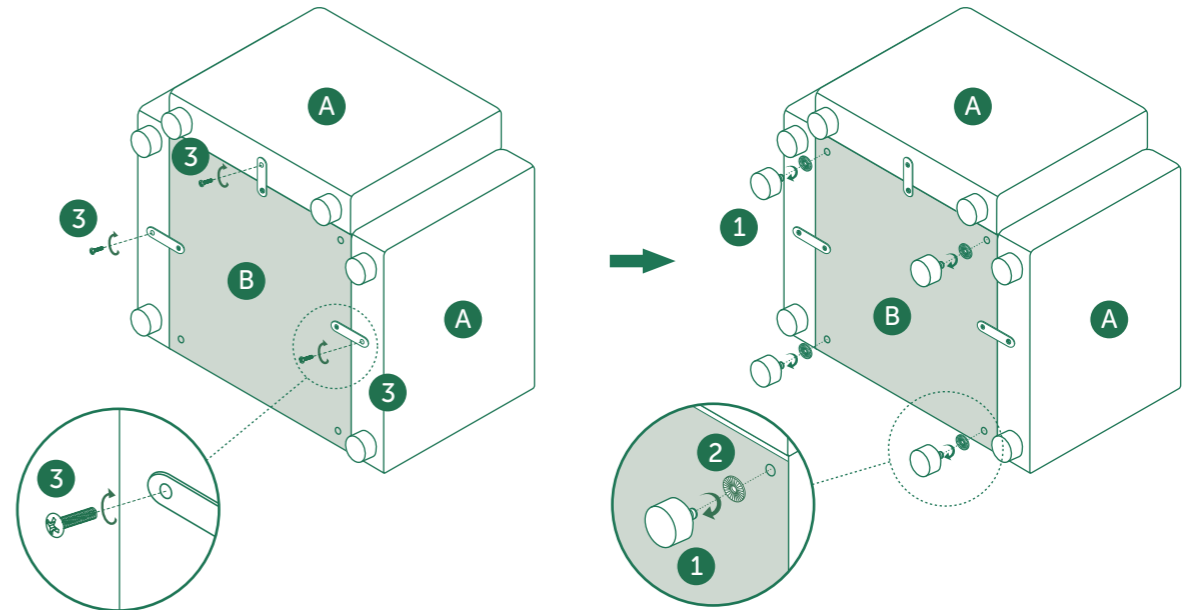


Combination Step Carton B + Carton C

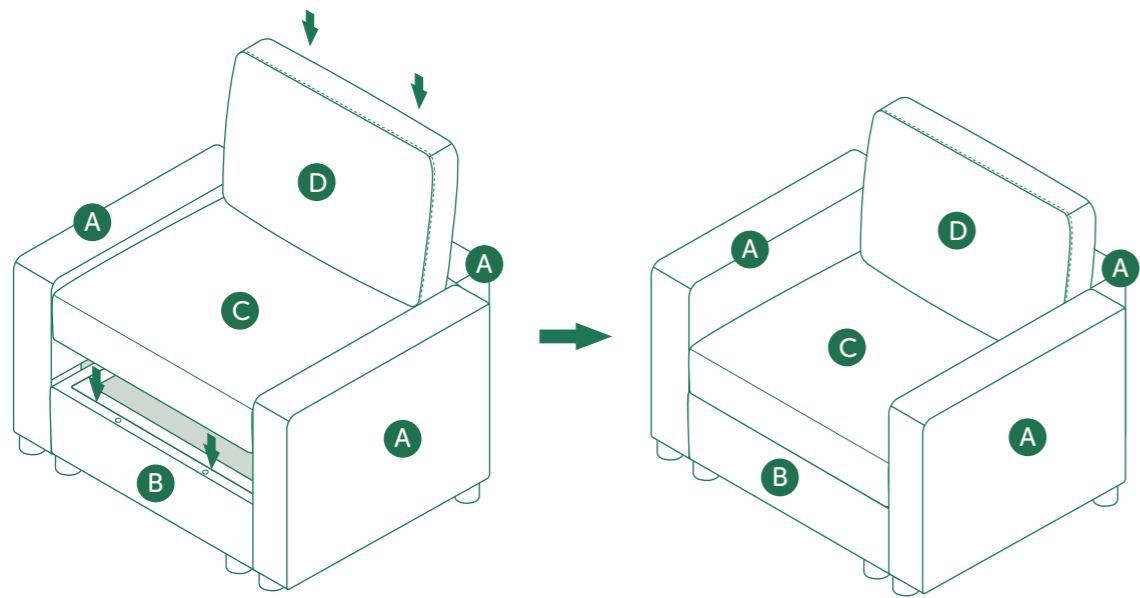
Step 1



Step 2

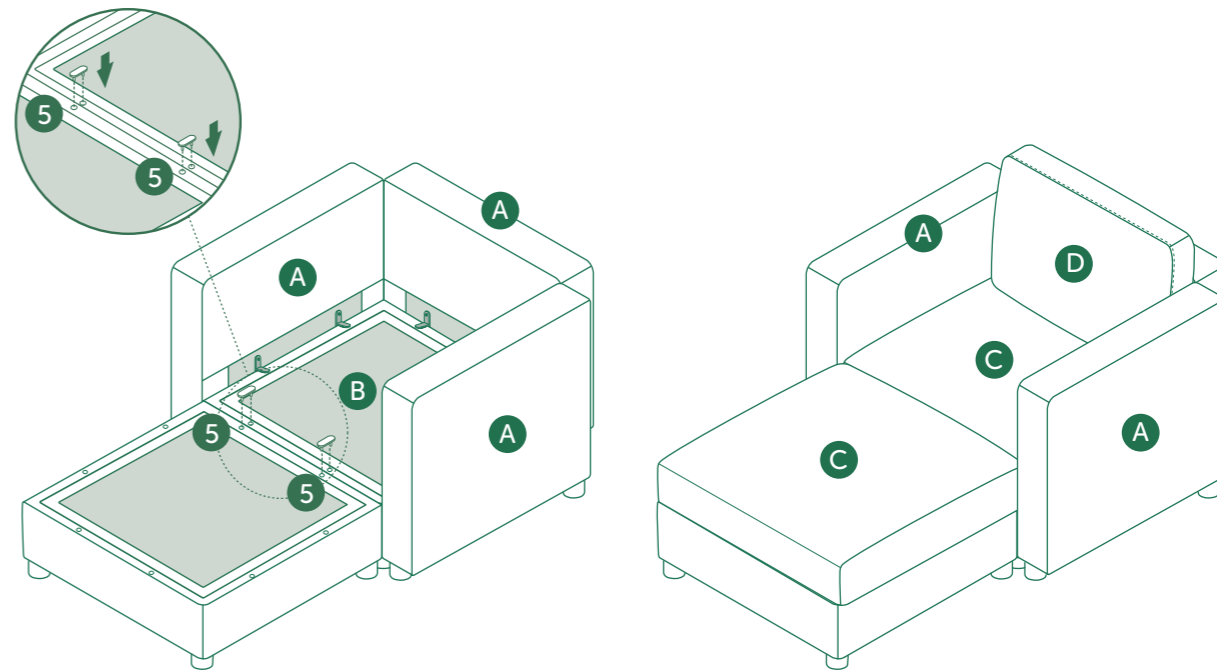


Step 3



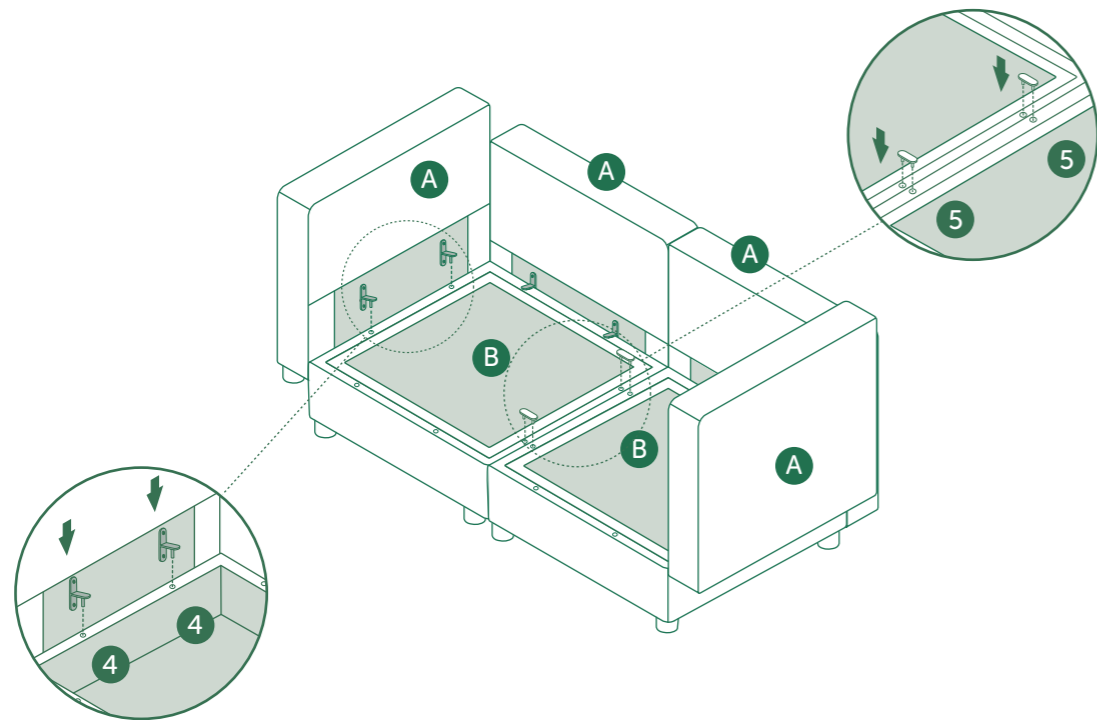
Combination Step Carton B + 2 Carton C

Step 1

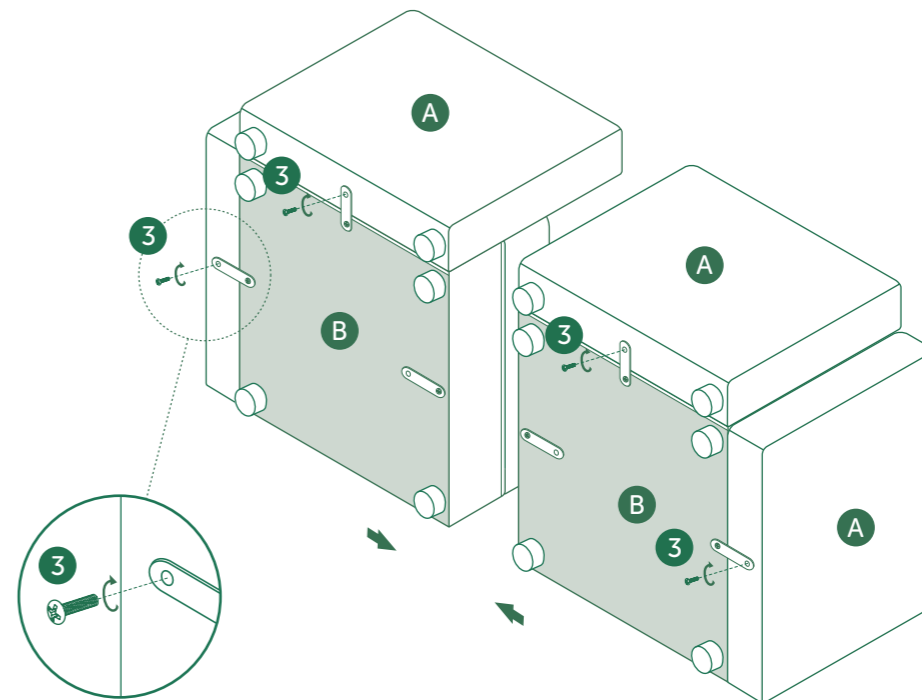


Combination Step 2 Carton A + 2 Carton C

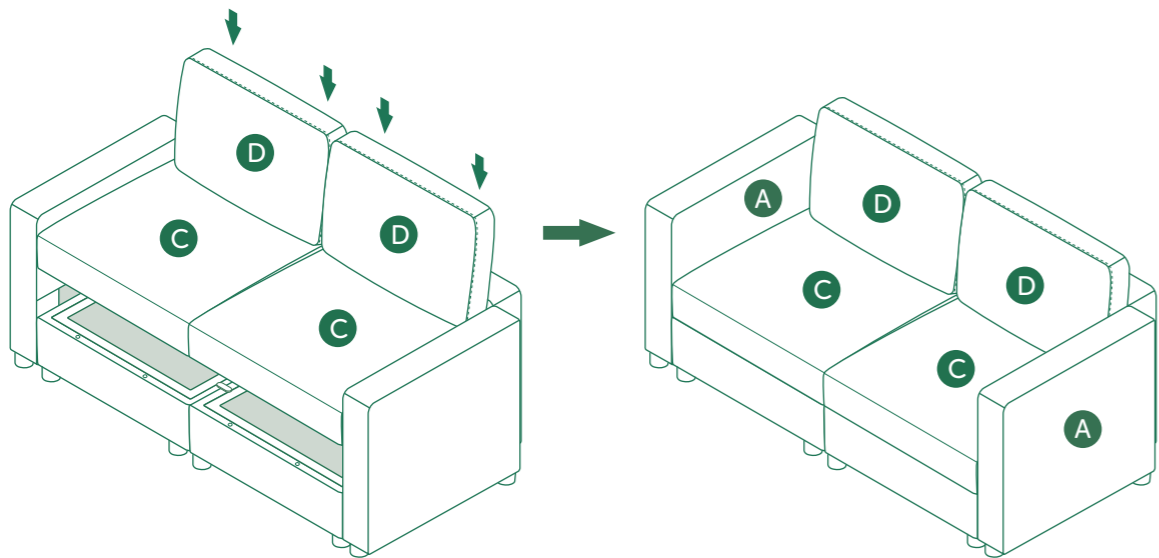
Step 1



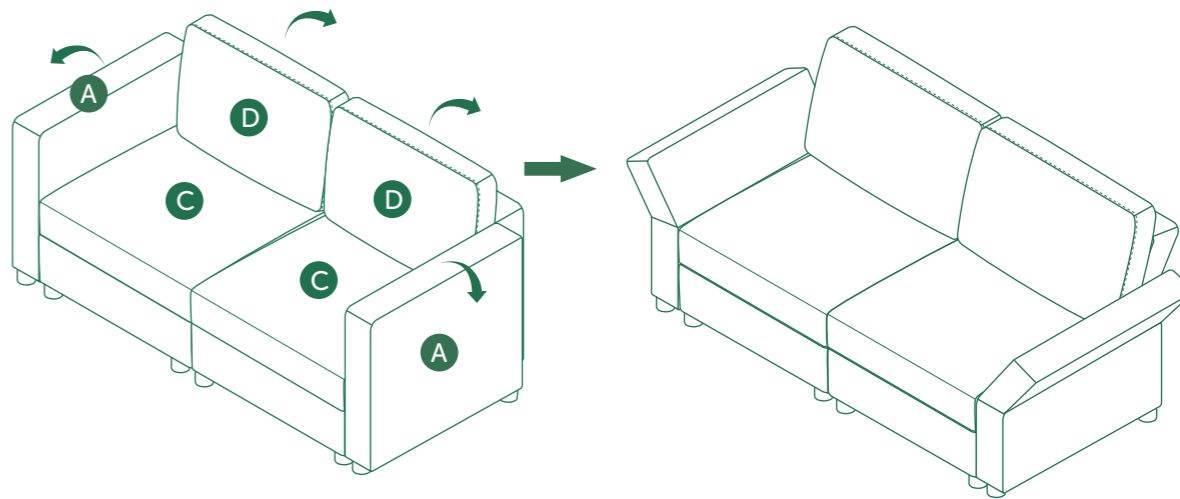
Step 2



Step 3



Step 4



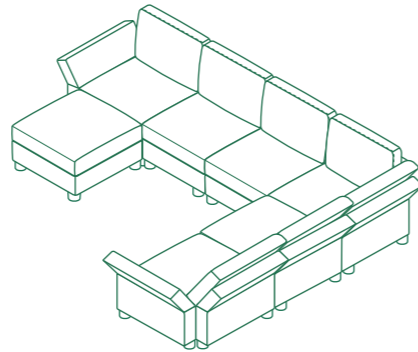
More Combinations

About Modulac

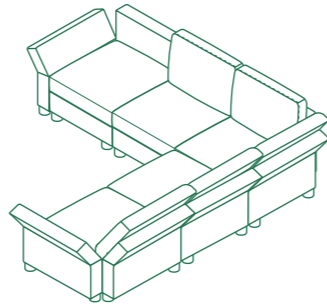
Each single section of HONBAY-MODULAC Sofa is independent, so it has multiple styles. It can be constantly changing with the increase of family members, and providing more flexibility. It has been added storage function in the basic modular seats, which will make your home warmer and cleaner. Choose HONBAY Sofa, A member of your family!

HONBAY-MODULAC Sofa is just like a transformer. You can make different combs on the basis of space and activities. It can be a chair, a chaise, or even a bed, all the sofas you want are here, open up your mind!

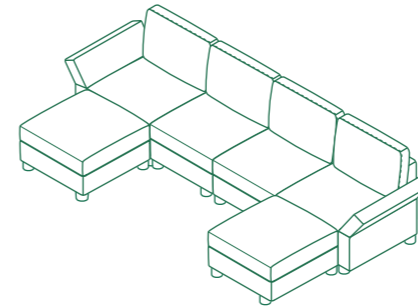
So if you already have a modular sofa picked out or are still deciding, now is the time to find an appropriate modular sofa in the Honbay store. Whether it's storage, style, or space, you can look for one in the Honbay brand that fits your living room. Honbay knows how to love you in its way and give you all you need.



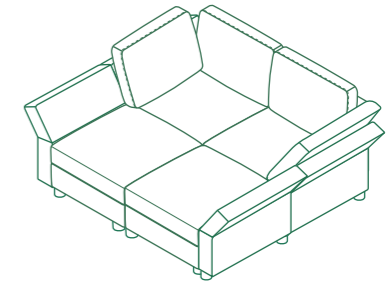
3 Carton B + 7 Carton C



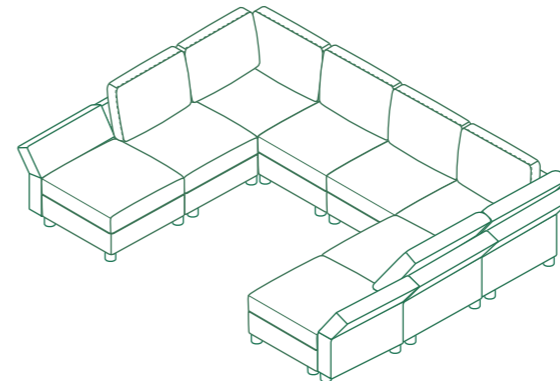
Carton A + 2 Carton B + 5 Carton C



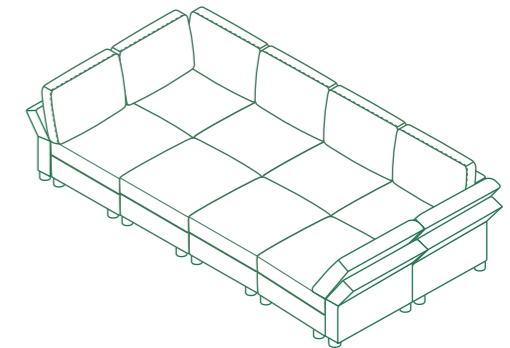
2 Carton B + 6 Carton C



2 Carton B + 4 Carton C



2 Carton A + 2 Carton B + 8 Carton C



Carton A + 2 Carton B + 8 Carton C

About

HONBAY

The HONBAY brand is committed to the design and application of furniture, creating applicable high-quality sofas for the diversity of interior space, and we focus on offering customers good shopping experience and professional customer service.

Customer Service: Support@honbayus.com

LIMITED WARRANTY

Our team would like to improve the quality of the customer service and make your experience as easy and smooth as possible.

Return Policy: This item could be returned within 30 days without any major reason. After we receive the returned item, we would check it and make sure that is not damaged then we will process the refund. For more details, please remember to check the above terms of RETURN/DAMAGE CLAIM INSTRUCTIONS.

The warranty product is one year from the date of your purchase. If this item is damaged within the warranty period, we will arrange for you the replacement parts free of charge. If the item is damaged for some personal reasons, we could also replace it for you, however, you would need to bear the cost of the replacement parts and shipping fees.

The exceptions or exclusions to this warranty are as follows:

1. Any warranty claim that is submitted after the limited warranty period won't be taken into consideration. We wouldn't be able to replace the item for you even at your cost.
2. This warranty does not the products which have been purchased by mistake.

In the case of having some defect in the material or handiwork that are covered by this item's warranty, HONBAY will repair or replace it for you without charging you any cost within a reasonable period of time. We reserve the right to require damaged parts to be returned to us upon our request. For HONBAY furniture standards, scars, brands, grain variations, wrinkles, color variations, etc. will be considered as normal characteristics and not interpreted as defects. We cannot guarantee that the leather will not be scratched or scuffed, as all leather furniture could get imperfections with the use.

If you have any questions concerning this warranty, please contact the HONBAY Customer Service department by sending an email to **Support@honbayus.com**. Be prepared to provide your name, address, daytime phone number, the model and purchase order number of the product, date of the purchase, and the store where it was ordered. All of these information provided by you, will help us to track your order easily and solve your problem in the shortest time.

This warranty gives you specific rights, and you still possess other rights, which vary in terms of each case.

Español

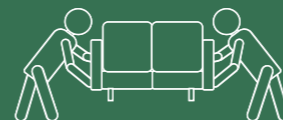
Instrucciones de Montaje



Ensamblaje de
1-2 Personas



45~
Minutos de Ensamblaje



AVISO:

Conserve estas instrucciones para futuras consultas.

- ◆ Lea las hojas de instrucciones completamente antes del montaje. Retire todas las piezas de la caja y asegúrese de que todos los componentes estén incluidos antes del montaje.
- ◆ Ensamble el sofá sobre una superficie protegida para evitar rayar los componentes del sofá.
- ◆ Tenga cuidado de no enroscar los tornillos.
- ◆ Puede usar un martillo de madera para ayudar a ensamblar y asegurarse de que las uniones y los tubos estén ensamblados en su posición.
- ◆ ¡Se recomiendan dos personas para el montaje!
- ◆ Cuando ensamble su sofá, si huele un olor extraño a material, no se preocupe, es muy normal. Lo que debería hacer es ponerlo durante 1 o 2 días en el balcón, patio o cerca de la ventana para que se ventile y se esfume el olor. Honbay Sofá ha sido certificado por la autoridad ambiental. Así que no se preocupe, es completamente seguro y no dañará su salud.

INSTRUCCIONES DE DEVOLUCIÓN/RECLAMACIÓN POR DAÑOS:

- ◆ Este artículo se envía en varias cajas separadas. Si solo recibe una caja, espere pacientemente el resto de cajas. Si no ha recibido el resto de cajas en un plazo de dos días hábiles, por favor comuníquese con nosotros de inmediato. Nuestra dirección de correo electrónico es Support@honbayus.com.
- ◆ Si el paquete está dañado, por favor comuníquese con nosotros lo antes posible y adjunte la foto dañada.
- ◆ Política de devolución: Este artículo se puede devolver en un plazo de 30 días sin ningún motivo. Si devuelve este artículo por motivos personales, debe asumir el costo del transporte de las devoluciones y el de procesamiento del pedido (tarifa de reposición del 0-50% según el precio de la factura). Si el producto tiene problemas de calidad (no causados por humanos), nos haremos cargo del envío.
- ◆ Si necesita devolver la mercancía, conserve la caja original. Por favor, asegúrese de utilizar la etiqueta de devolución proporcionada por nosotros y no devuelva la mercancía sin permiso. No comparta una etiqueta con varias cajas.
- ◆ Si devuelve el producto después de 30 días de haberlo recibido, tememos que no se acepte su solicitud de devolución. Por eso agradecemos su comprensión.
- ◆ La garantía del producto es de un año. Si este artículo se daña dentro del período de garantía, le proporcionaremos las piezas de repuesto gratuitamente. Si el artículo se daña por alguna razón personal, también podemos reemplazarlo por usted, sin embargo, debe asumir el costo del transporte.

LIMPIEZA Y MANTENIMIENTO DEL SOFÁ DE CUERO

- ◆ El método de lavado del sofá de cuero debe ser en seco para evitar la deformación por contracción. Por favor, no use lejía.
- ◆ Se debe pasar la aspiradora sobre los sofás de cuero al menos una vez por semana, especialmente hay que eliminar el polvo entre los pliegues de la tela.
- ◆ Si accidentalmente el sofá se ha manchado de bebida, café o té, limpie la superficie del sofá de cuero con la mezcla de vinagre blanco y bicarbonato de sodio. Y luego utilice un paño seco para limpiarla.
- ◆ Por favor, golpee suavemente y arregle los cojines y respaldos del sofá con frecuencia para mantenerlos en buen estado;
- ◆ Tenga en cuenta que el sofá de cuero no se puede lavar a máquina, ya que es un tipo de sellado de nano tecnología. Por favor, no lo rompa con mucha fuerza, porque se destruirá el pegamento de sellado en la superficie de la tela de cuero y se provocará más daños en la superficie.
- ◆ Si aparecen arrugas, use una plancha de vapor a una temperatura entre 158°F y 176°F para eliminarlas.



LIMPIEZA Y MANTENIMIENTO DE SOFÁ DE PIEL SINTÉTICA

- ◆ Utilice limpiadores y soluciones de cuidado específicos para el cuero con el fin de hacer una limpieza y un cuidado completos después de la compra. El sofá de PU debe colocarse en un lugar de ventilación con una temperatura adecuada donde el sol no pueda brillar directamente para evitar la decoloración del cuero.
- ◆ Limpie el sofá regularmente con un paño de algodón blanco limpio. La superficie del cuero se puede aplicar uniformemente con un limpiador especial para cuero o un agente abrillantador y luego seque con un paño suave y limpio. Se prohíbe el uso de soluciones aceitosas para el cuidado del cuero.
- ◆ Si se derraman accidentalmente té, bebidas o sopa en el sofá, límpielo de inmediato con un paño de algodón blanco limpio. Si hay rastros de residuos, use un agente de limpieza especial o agua para limpiar vajillas (limpiador: agua: 1:10), diluya y luego seque con un paño de algodón blanco limpio. Por favor, golpee suavemente y arregle los cojines y los respaldos del sofá con frecuencia para mantenerlos en buen estado.
- ◆ La superficie del sofá es fácil de ser contaminada por con la grasa y el sudor de la piel, el cabello, las manos sucias y la ropa sucia. Se recomienda colocar un trozo de tela decorativa sobre el respaldo y los brazos para proteger el sofá.
- ◆ Si aparecen arrugas, use la plancha de vapor a una temperatura entre 158°F y 176°F.



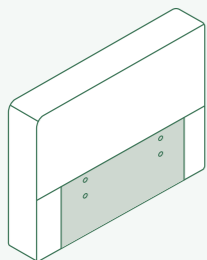
LIMPIEZA Y MANTENIMIENTO DEL SOFÁ DE TELA.

- ◆ Se debe usar regularmente una aspiradora o un cepillo para quitar el polvo del sofá de tela y evitar que el polvo o las manchas permanezcan en la tela durante mucho tiempo. Se debe sacudir los cojines del asiento y las almohadas cada semana, ya sea que se utilicen o no, lo cual ayudará a ajustar la densidad del relleno para que se mantenga su estado natural uniforme y esponjoso. Especialmente cuando se sienta a menudo en el mismo lugar, se debe cambiar con frecuencia la posición del cojín del asiento para que la fuerza recibida por éste sea uniforme.
- ◆ Si accidentalmente se pega a las manchas de bebida, café o té en el sofá, límpielo con un paño de algodón blanco o una toalla de papel absorbente. Si hay rastros residuales, limpie la mancha con 50% de agua y 50% del solvente de vinagre blanco, y luego limpie la mancha con jabón neutro o limpie la mancha con un paño de algodón empapado. Luego use un paño blanco seco o una toalla de papel absorbente para absorber el líquido restante, y finalmente séquelo suavemente con un soplador.
- ◆ Si accidentalmente se salpica aceite en el sofá, use papel absorbente para limpiar suavemente el aceite residual. Limpie suavemente las manchas con un trozo de alcohol etano puro empapado en un paño de algodón, no lo frote, y luego use un paño seco o una toalla de papel absorbente para absorber el líquido residual.
- ◆ Se debe limpiar las manchas de tinta inmediatamente cuando se aparecen por primera vez. Cuanto más tiempo permanezca en la tela, más difícil será quitarlas.
- ◆ El método de limpieza de las fundas de sofá de tela es la limpieza en seco y no se puede echar agua con lejía. Las fundas de tela del sofá deben plancharse después del lavado y la temperatura de la plancha es de entre 158°F y 176°F.
- ◆ Si aparecen arrugas, use la plancha de vapor a una temperatura entre 158°F y 176°F.



Lista de piezas**Cartón A**

x 2

**A** Reposabrazos / Marco trasero

x 4

**1** Piernas

x 4

**2** Juntas

x 12

**3** Tornillos

x 4

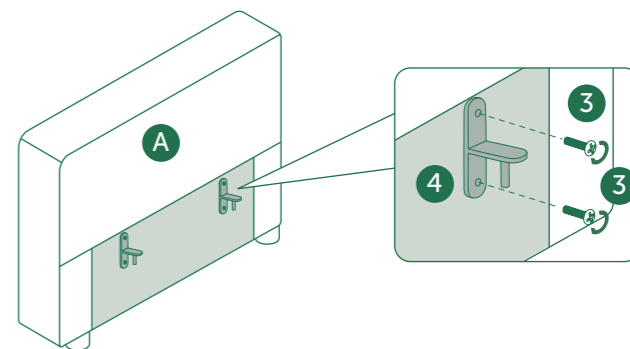
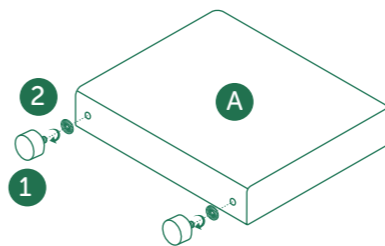
**4** Accesorios de brazo y marco trasero

Iniciar

...

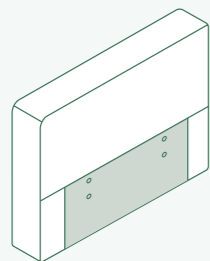
CONSEJOS

- ♦ No apriete los tornillos uno tras otro inmediatamente hasta que todos los tornillos estén alineados con los agujeros. Deje espacio para el ajuste.
- ♦ Es posible que los tornillos no estén alineados con los agujeros. Sin embargo, si eso sucede, afloje un poco los tornillos y los aprieta de nuevo en diagonal.
- ♦ Si el producto es desigual o inestable después del montaje, afloje los tornillos y aplique fuerza sobre ellos para asegurarse de que todas las patas estén en el mismo nivel. Continúe ensamblándolo.
- ♦ Retire todas las piezas de la caja y colóquelas sobre una superficie o alfombra protegida.

Paso 1

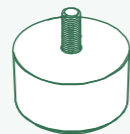
Lista de piezas

Cartón B



x 3

A Reposabrazos / Marco trasero



x 6

1 Piernas



x 6

2 Juntas



x 15

3 Tornillos

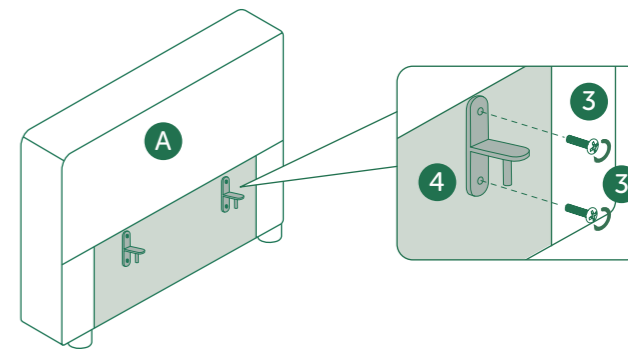
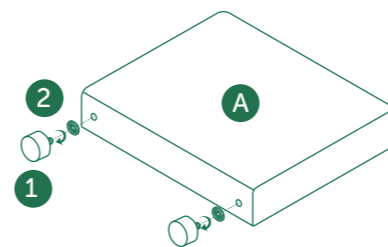


x 6

4 Accesorios de brazo y marco trasero

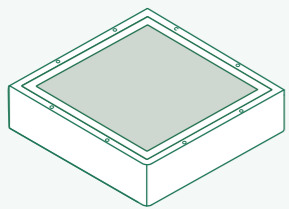
Iniciar...

Paso 1



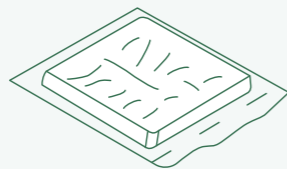
Part List Carton C

x 1



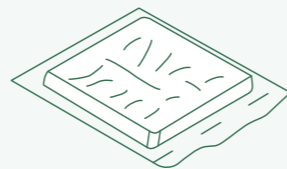
B Estructura del asiento individual

x 1



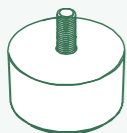
C Cojín del asiento individual

x 1



D Cojín de respaldo individual

x 4



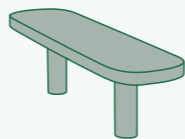
1 Piernas

x 4



2 Juntas

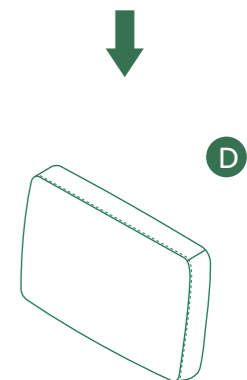
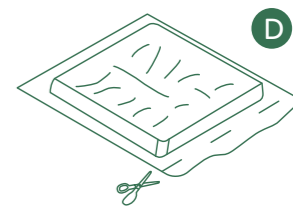
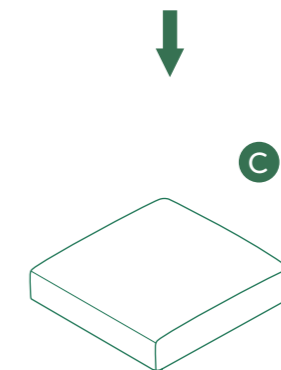
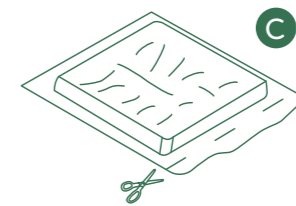
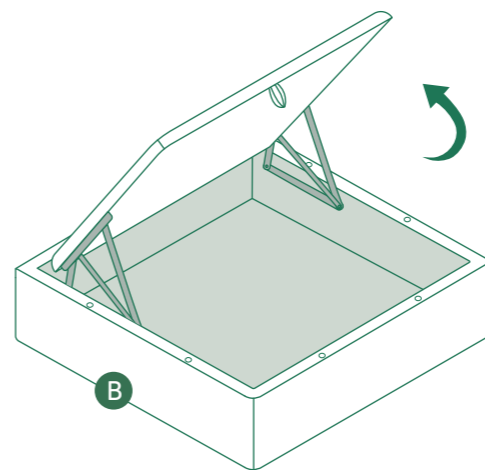
x 2



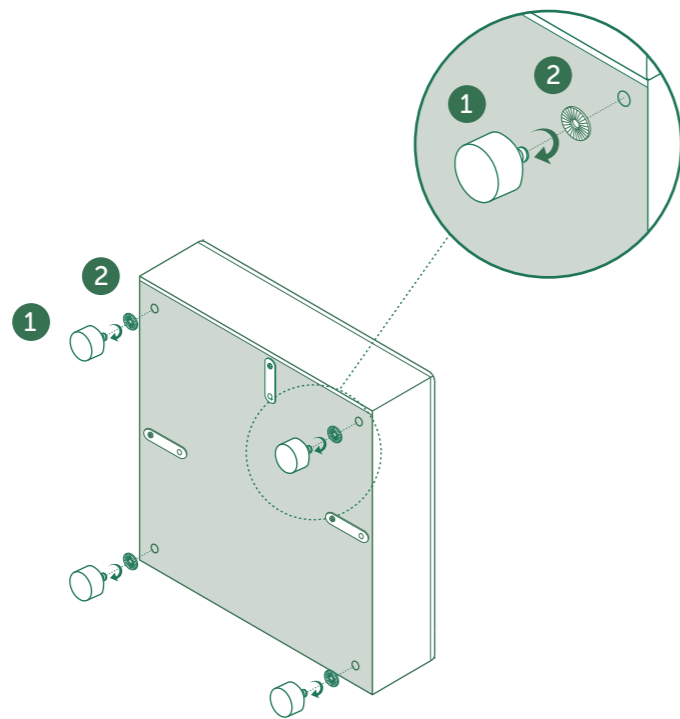
5 Accesorios del asiento individual

Iniciar...

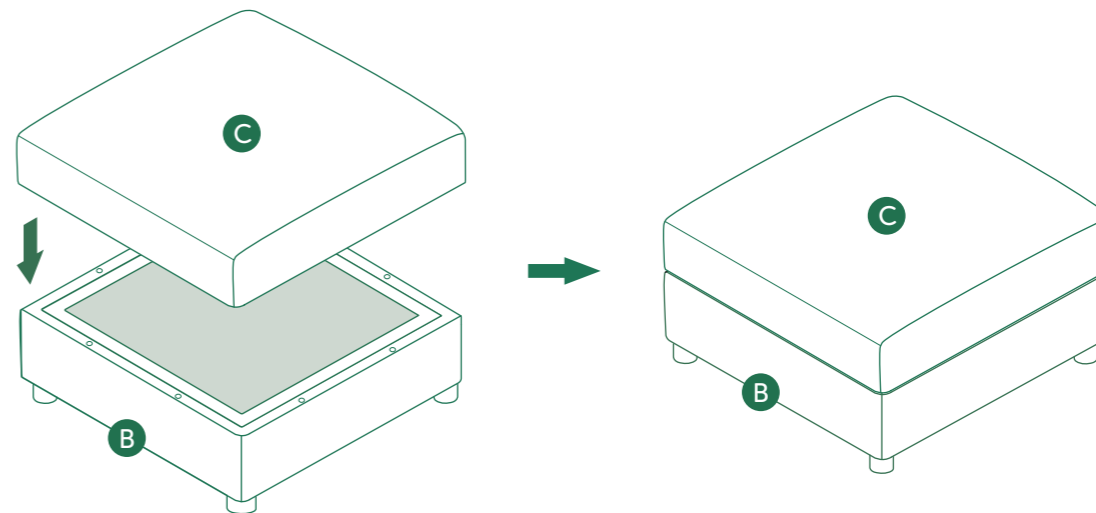
Paso 1



Paso 2

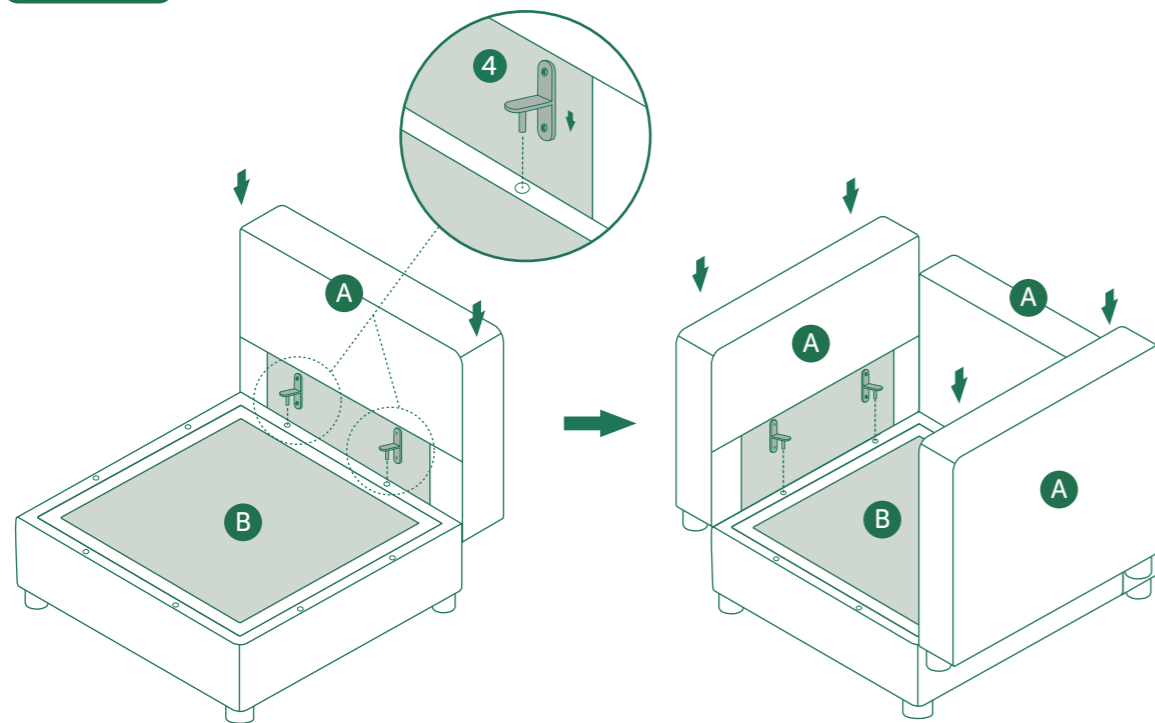


Paso 3

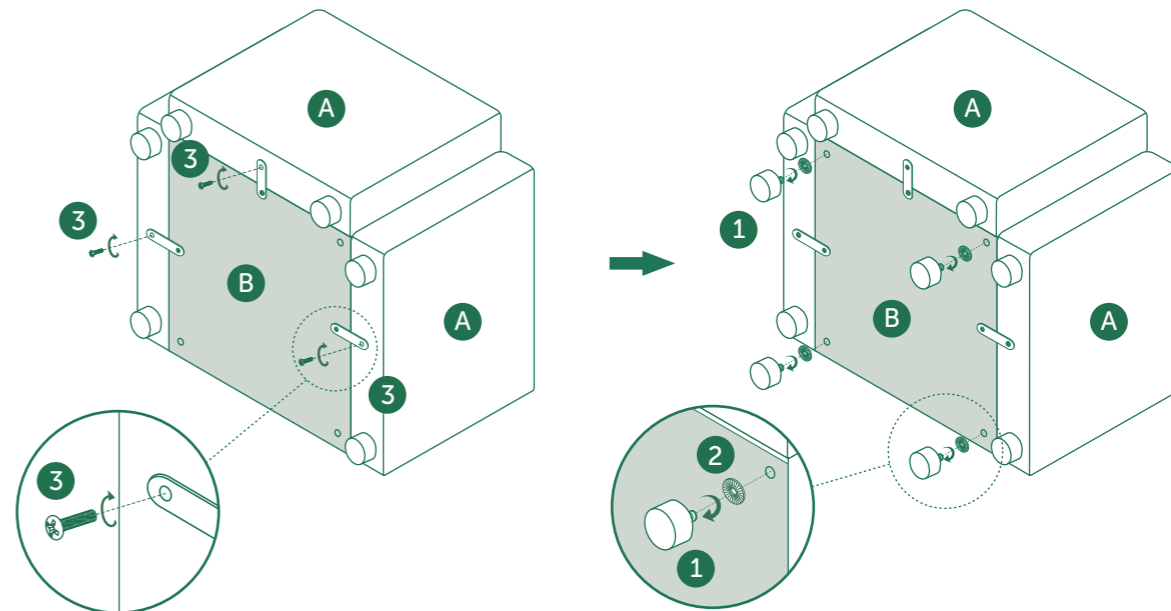


Paso de combinación cartón B+ cartón C

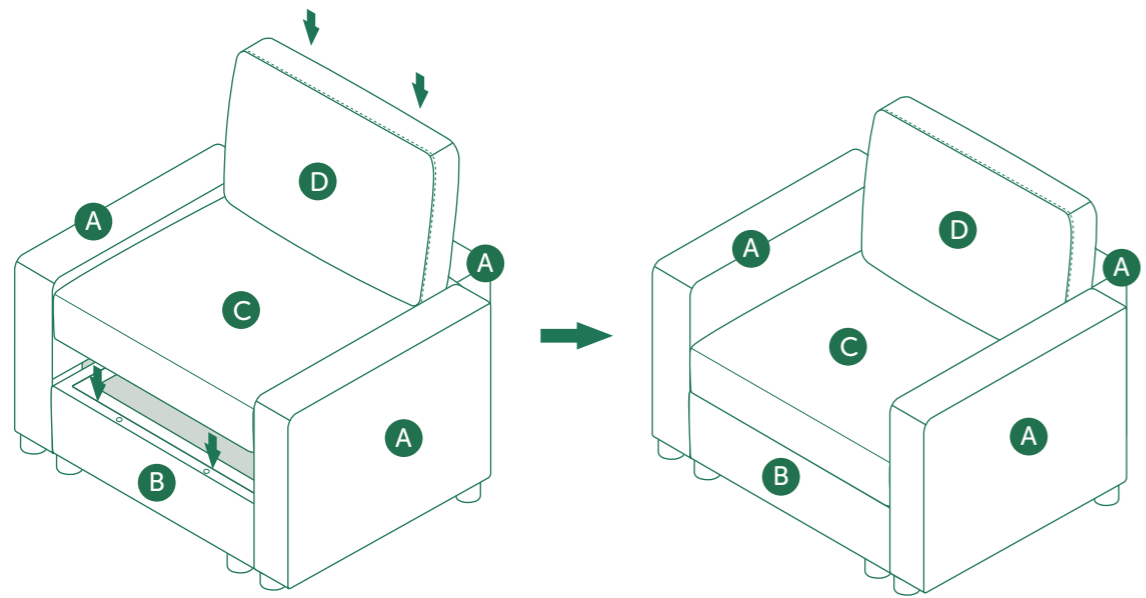
Paso 1



Paso 2

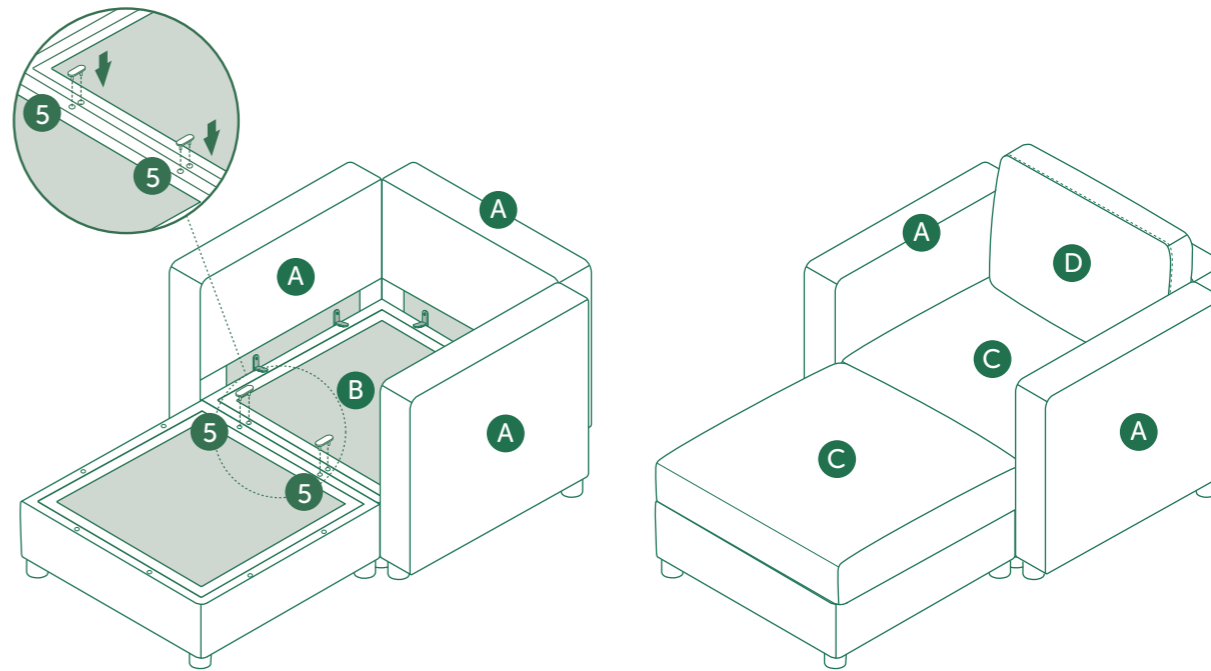


Paso 3



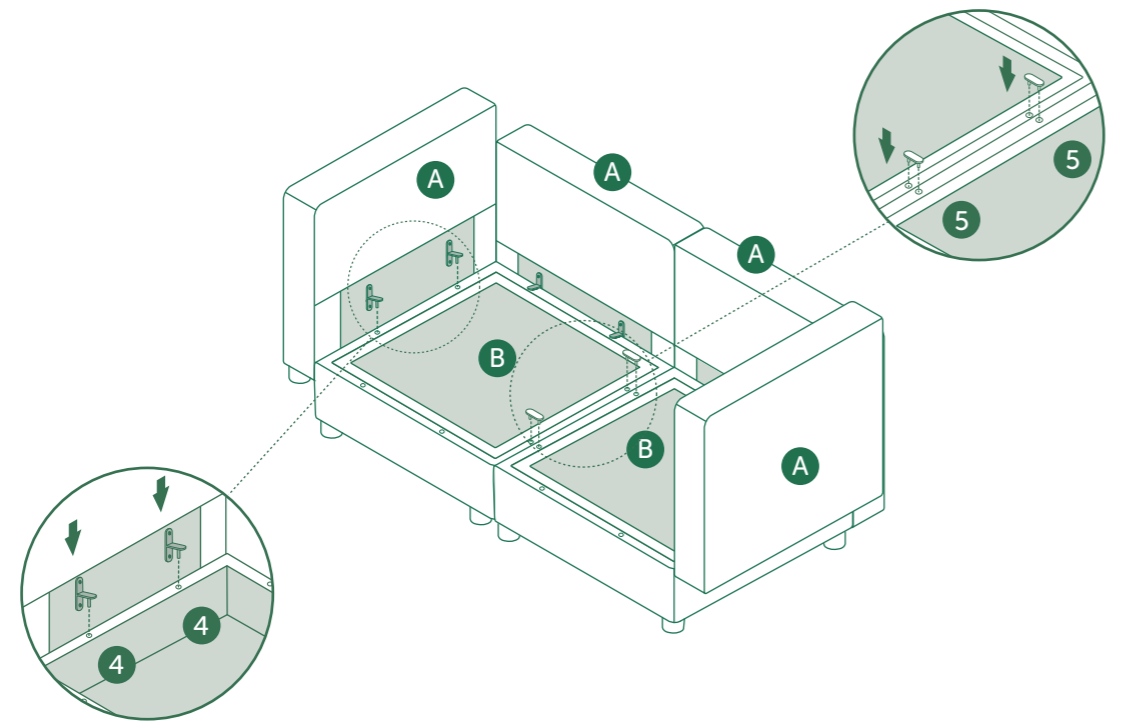
Paso de combinación cartón B+2 cartón C

Paso 1

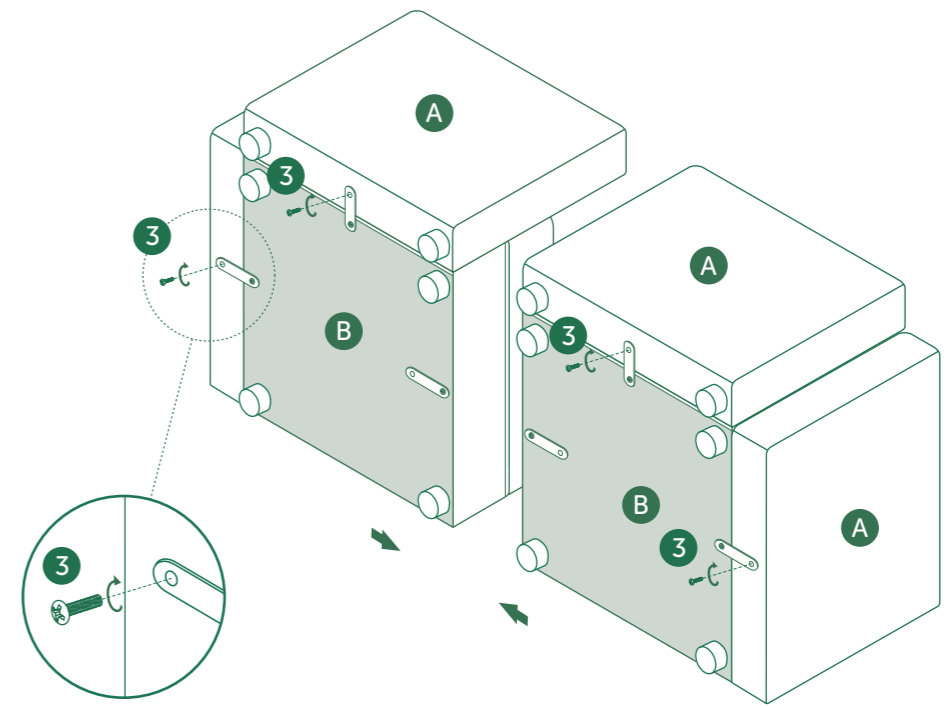


Paso de combinación 2 cartón A+ 2 cartón C

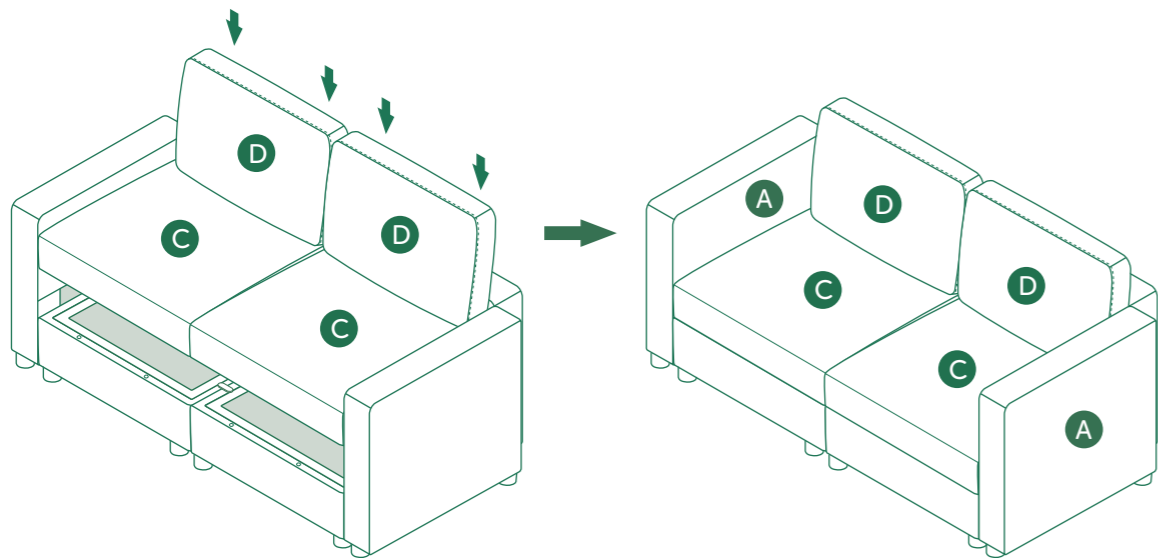
Paso 1



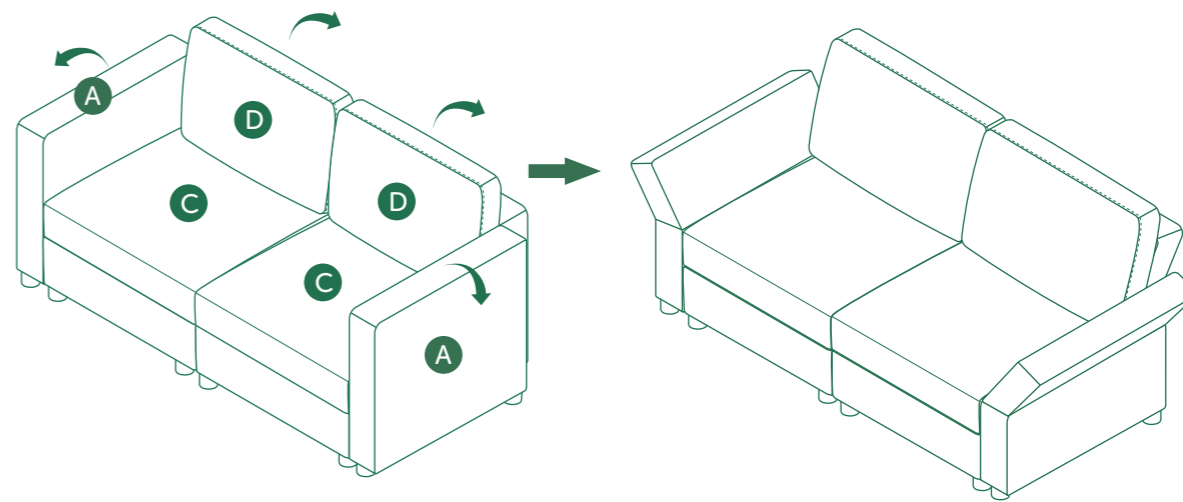
Paso 2



Paso 3



Paso 4



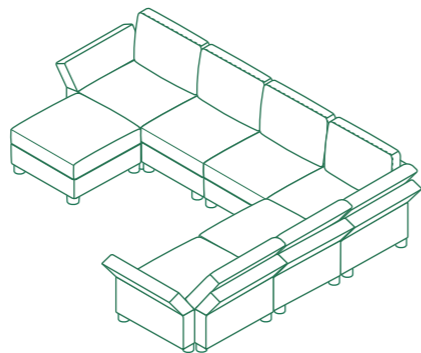
Más combinaciones

Sobre Modulac

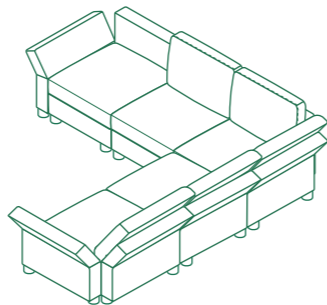
Cada parte individual del Sofá HONBAY-Modulac es independiente, por lo tanto tiene varios estilos. Puede cambiar a medida que aumenta el número de miembros de la familia y proporcionar más flexibilidad. Se ha agregado la función de almacenamiento a los asientos modulares básicos, lo que hará que su casa sea más cálida y limpia. ¡Elija el Sofá Honbay, será un miembro de su familia!

El Sofá HONBAY-Modulac es como un transformador. Puede hacer diferentes combinaciones en función del espacio y las actividades. Puede ser una silla, una chaise o incluso una cama, todos los sofás que quiera están aquí, ¡abre su mente!

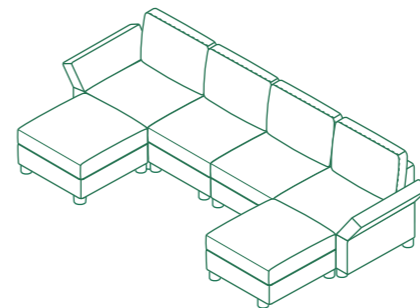
Entonces, si usted ya tiene un sofá modular elegido o aún está decidiendo, ahora es el momento de encontrar un sofá modular apropiado en la tienda de Honbay. Ya sea por almacenamiento, estilo o espacio, podría encontrar uno de la marca Honbay que se adapte a su sala de estar. Honbay sabe amarle a su manera y darle todo lo que necesite.



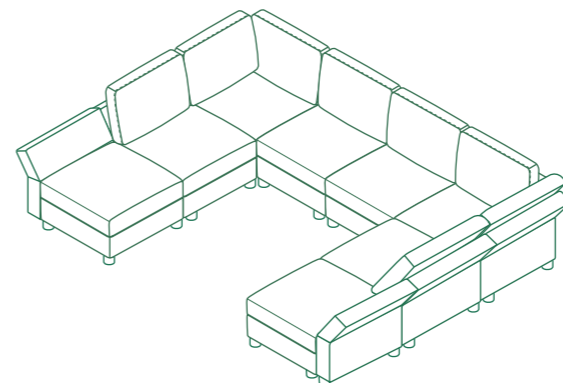
3 Cartón B + 7 Cartón C



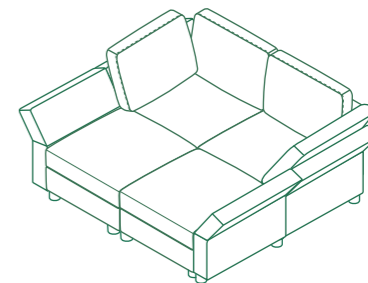
Cartón A + 2 Cartón B + 5 Cartón C



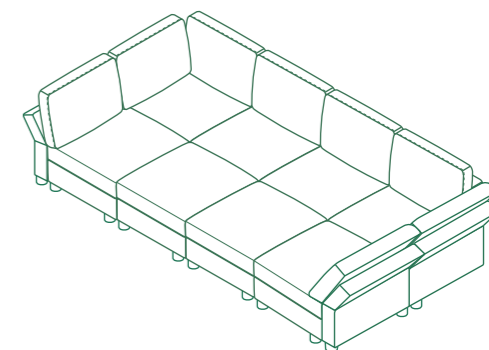
2 Cartón B + 6 Cartón C



2 Cartón A + 2 Cartón B + 8 Cartón C



2 Cartón B + 4 Cartón C



Cartón A + 2 Cartón B + 8 Cartón C

Acerca de

HONBAY

La marca HONBAY está comprometida con el diseño y la aplicación de muebles, creando sofás funcionales de alta calidad para la diversidad del espacio interior, y nos enfocamos en ofrecer una buena experiencia de compra y un servicio profesional al cliente.

Servicio al Cliente:Support@honbayus.com

GARANTÍA LIMITADA

Nuestro equipo desea mejorar la calidad del servicio al cliente para que su experiencia sea lo más fácil.

Política de Devolución: Este artículo puede devolverse en un plazo de 30 días sin ningún motivo. Después de recibir el artículo devuelto, lo revisaremos y nos aseguraremos de que no está dañado, y luego procesaremos el reembolso. Para obtener más detalles, recuerde consultar los términos de las INSTRUCCIONES DE RECLAMACIÓN DE DEVOLUCIÓN / DAÑOS mencionados anteriormente.

La garantía del producto es de un año a partir de la fecha de compra. Si el producto se daña dentro del período de garantía, le proporcionaremos piezas de repuesto gratuitamente. Si el producto se daña por razones personales, también podríamos reemplazarlo por usted, sin embargo, deberá asumir el costo de las piezas de repuesto y el gasto de envío.

Las excepciones o exclusiones a esta garantía son las siguientes:

1. No se tendrá en cuenta ninguna reclamación de garantía que se presente después del período de garantía limitado. No podremos reemplazar el artículo por usted, incluso a su costo.
2. Esta garantía no se aplica a los productos adquiridos por error.

En caso de defectos en los materiales o trabajo manual cubiertos por esta garantía de este artículo, HONBAY lo reparará o reemplazará por usted sin cobrarle ningún costo dentro de un período razonable. Nos reservamos el derecho de exigir que las piezas dañadas nos sean devueltas a nuestra petición. Según las normas de los muebles HONBAY, cicatrices, marcas, variaciones de vetas, cambios de color, etc., se considerarán características normales en lugar de defectos. No podemos garantizar que el cuero no se raye ni se rasque, ya que todo el cuero puede tener defectos durante su uso.

Si tiene alguna pregunta sobre esta garantía, por favor comuníquese con el departamento de Servicio al Cliente de HONBAY enviando un correo electrónico a Support@honbayus.com. Se debería proporcionar su nombre, dirección, número de teléfono, el modelo y el número de pedido, la fecha y el lugar de compra. Toda esta información proporcionada por usted nos ayudará a rastrear su pedido fácilmente y resolver su problema en el menor tiempo posible.

Esta garantía le otorga derechos específicos, y aún posee otros derechos, que varían en función de cada caso.