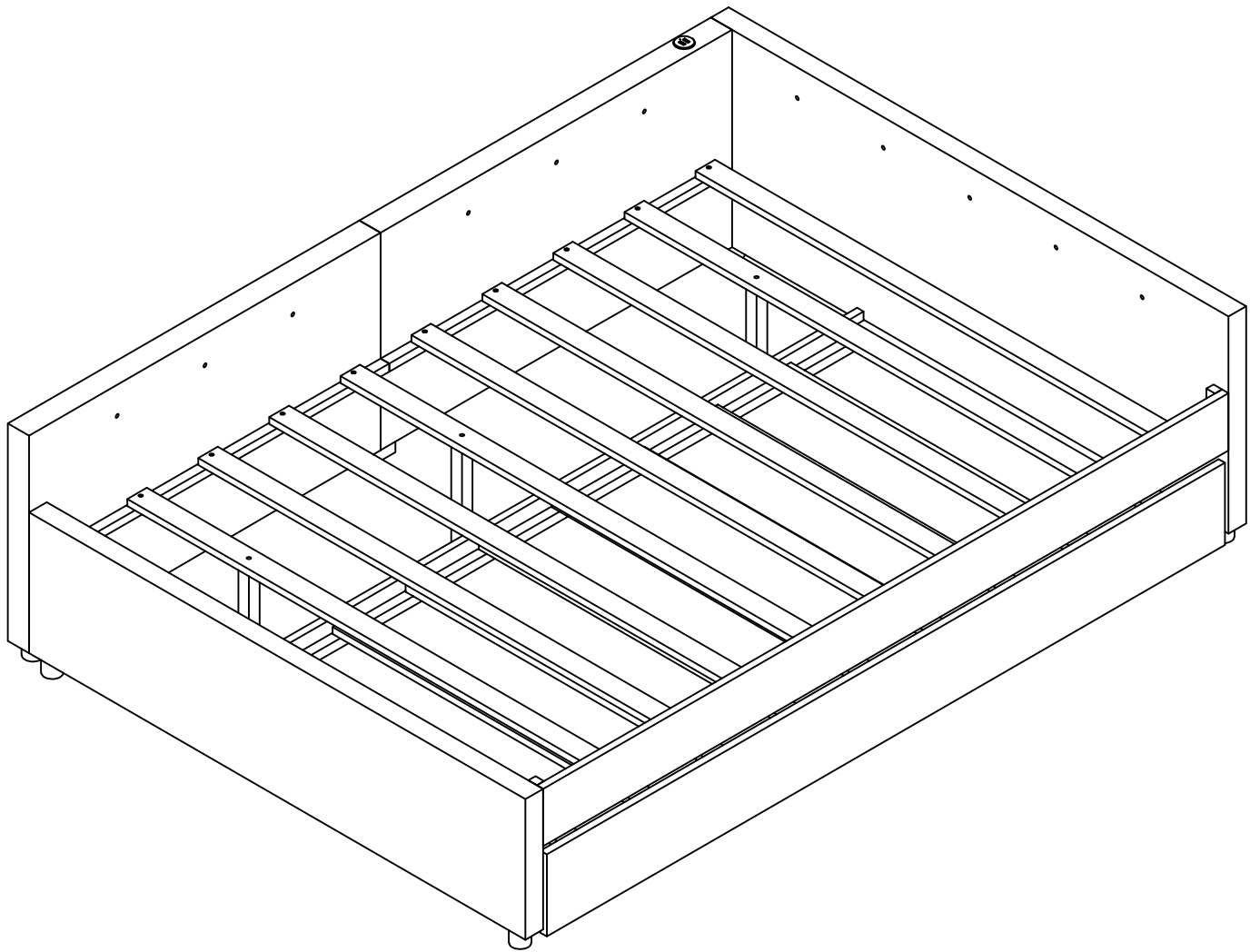
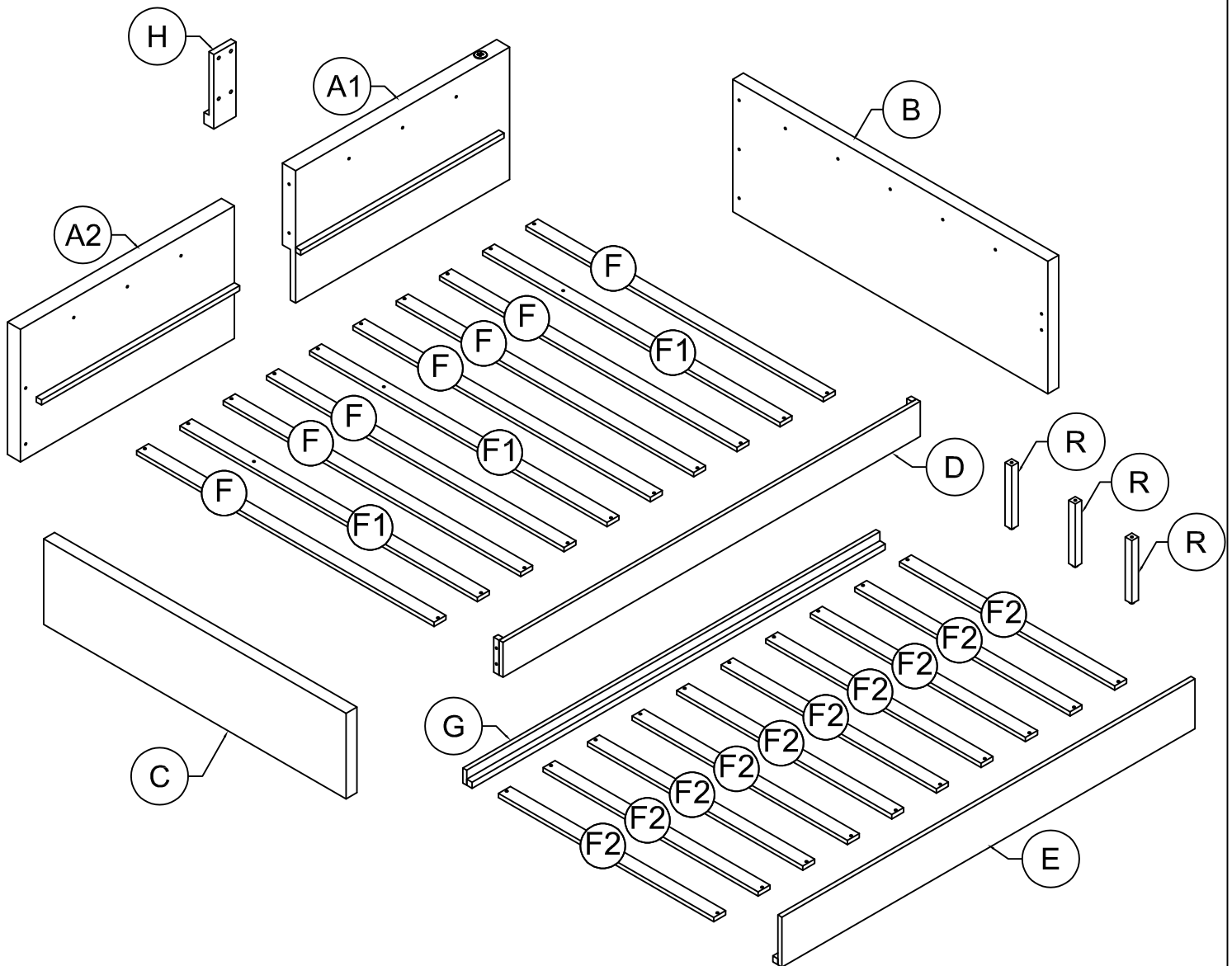


# ASSEMBLY INSTRUCTION

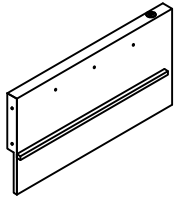


# ASSEMBLY INSTRUCTION



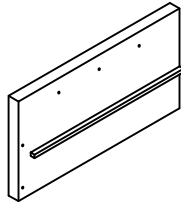
# Part List

A1



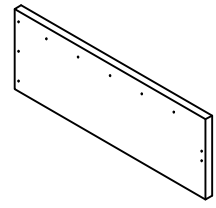
Side Rails - 1pc

A2



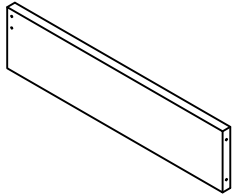
Side Rails - 1pc

B



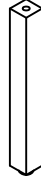
HB Frames - 1pc

C



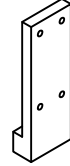
FB Frames - 1pc

R



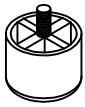

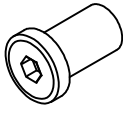
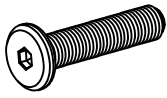
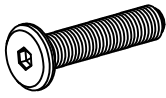
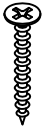

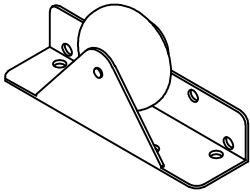

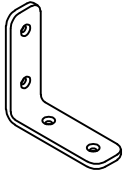
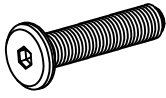
Support Leg - 3pcs

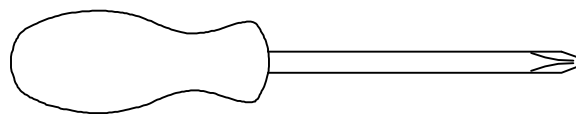
H



Support Leg - 1pcs

# Hardware List

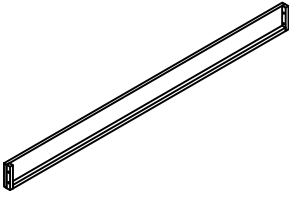
1  Plastic Feet (Ø50x40) 4pcs	2  Allen Key 2pcs	3  1/4" x 15mm Sleeve Nut 5pcs
4  1/4" x 50mm Hex-Head bolts 6pcs	5  1/4" x 40mm Hex-Head bolts 8pcs	6  M4 x 30 mm Wood Screws 40pcs
7  M4 x 15 mm Wood Screws 24pcs	8  Wheels 4pcs	9  Plastic Drawer Stopped 4pcs
10  Steel Bracket 3pcs	11  1/4" x 30mm Hex-Head bolts 4pcs	



**Assembly Tools Required (Not Included)**

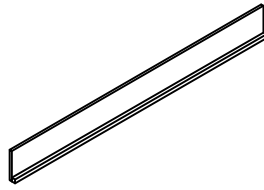
# Part List

D



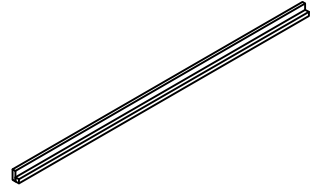
Side Rails - 1pc

E



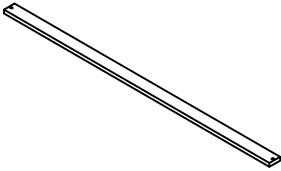
Front Trundle - 1pc

G



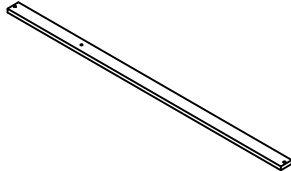
Black Trundle - 1pc

F



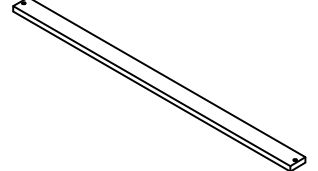
Slats - 7pcs

F1



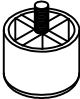
Slats - 3pcs

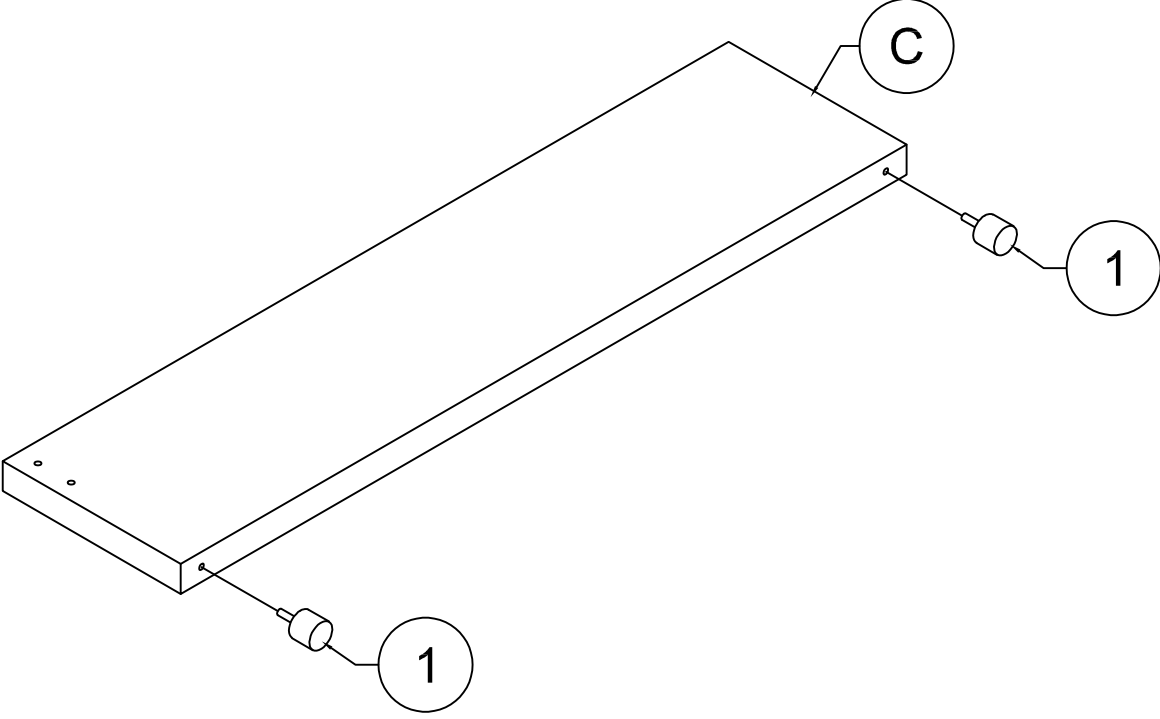
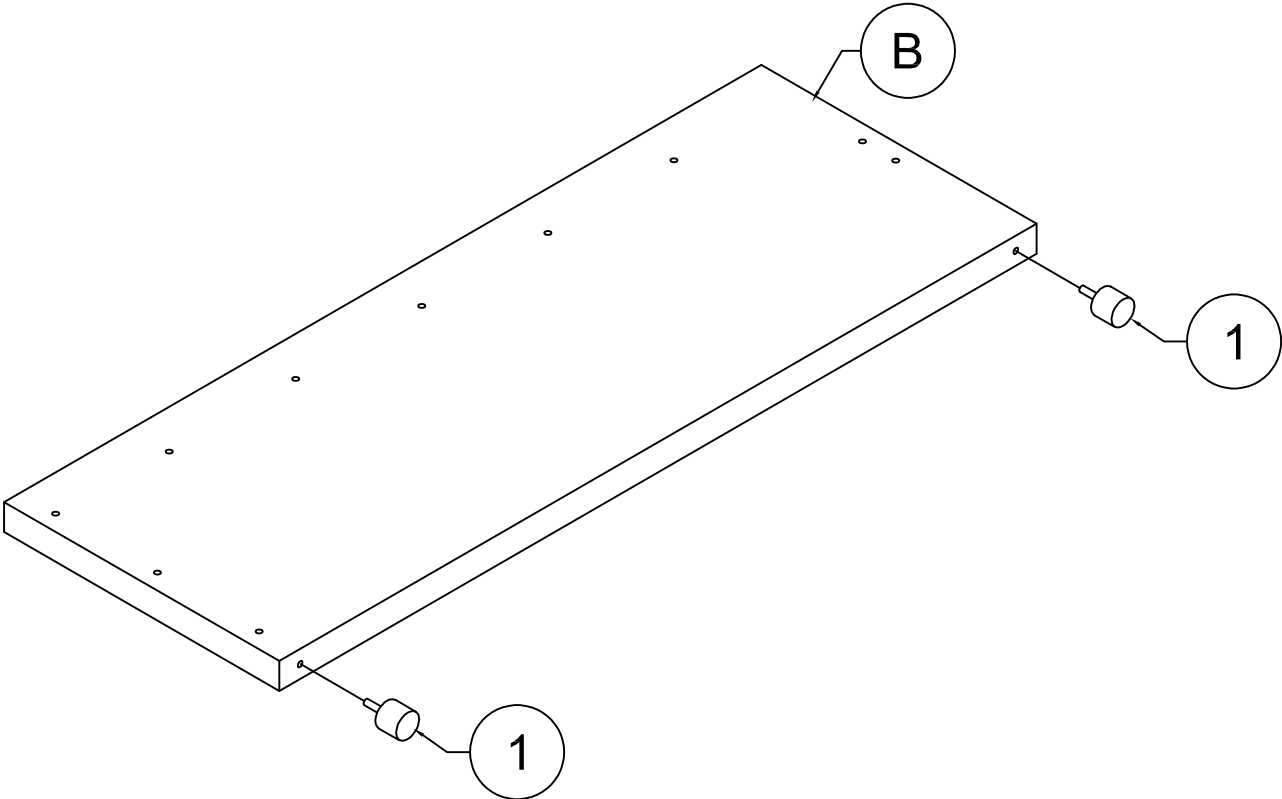
F2



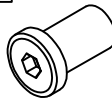
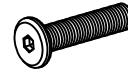

Slats - 10pcs

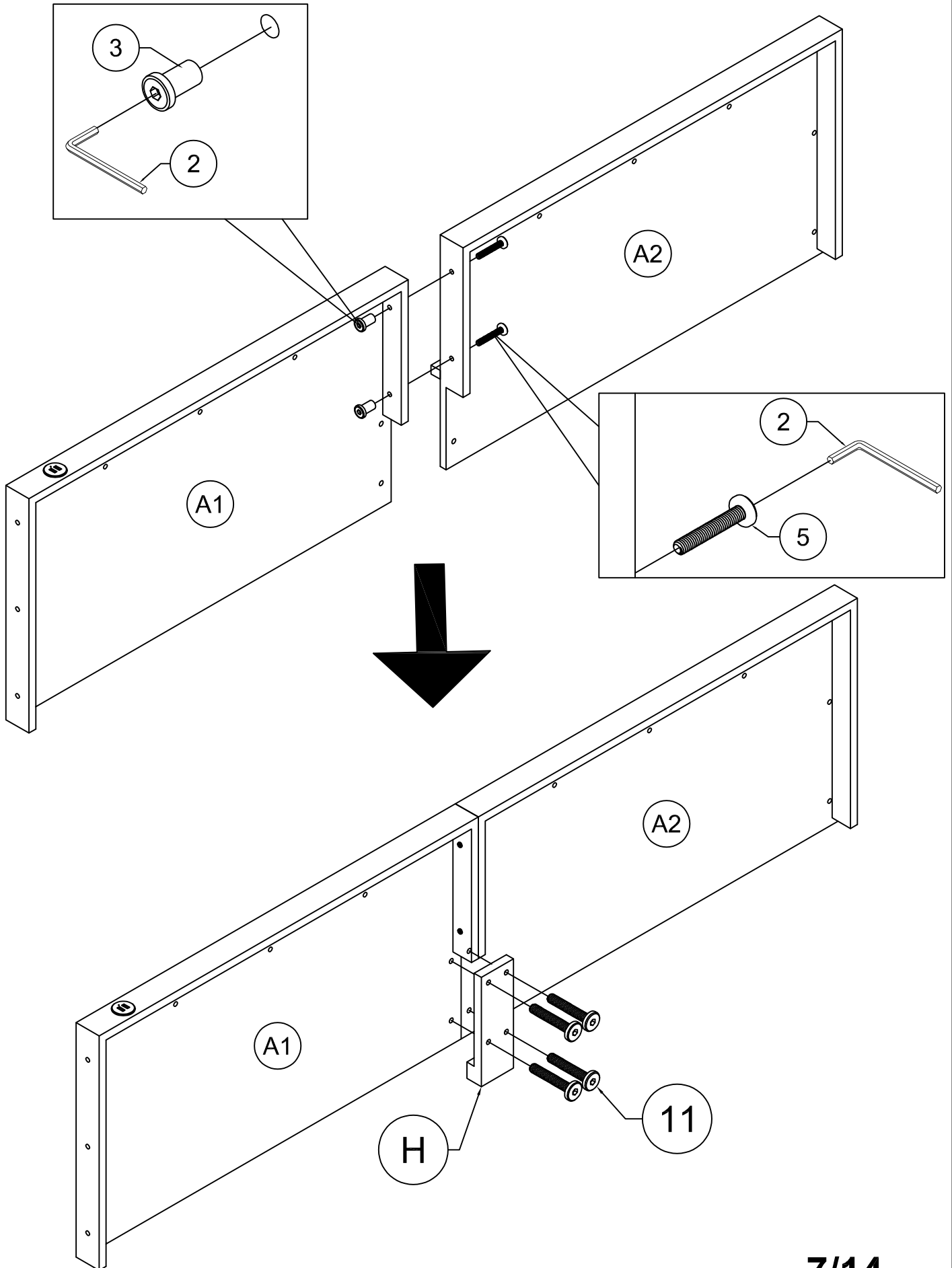
**STEP 1:** Following below illustration:

1

4pcs

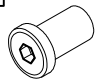




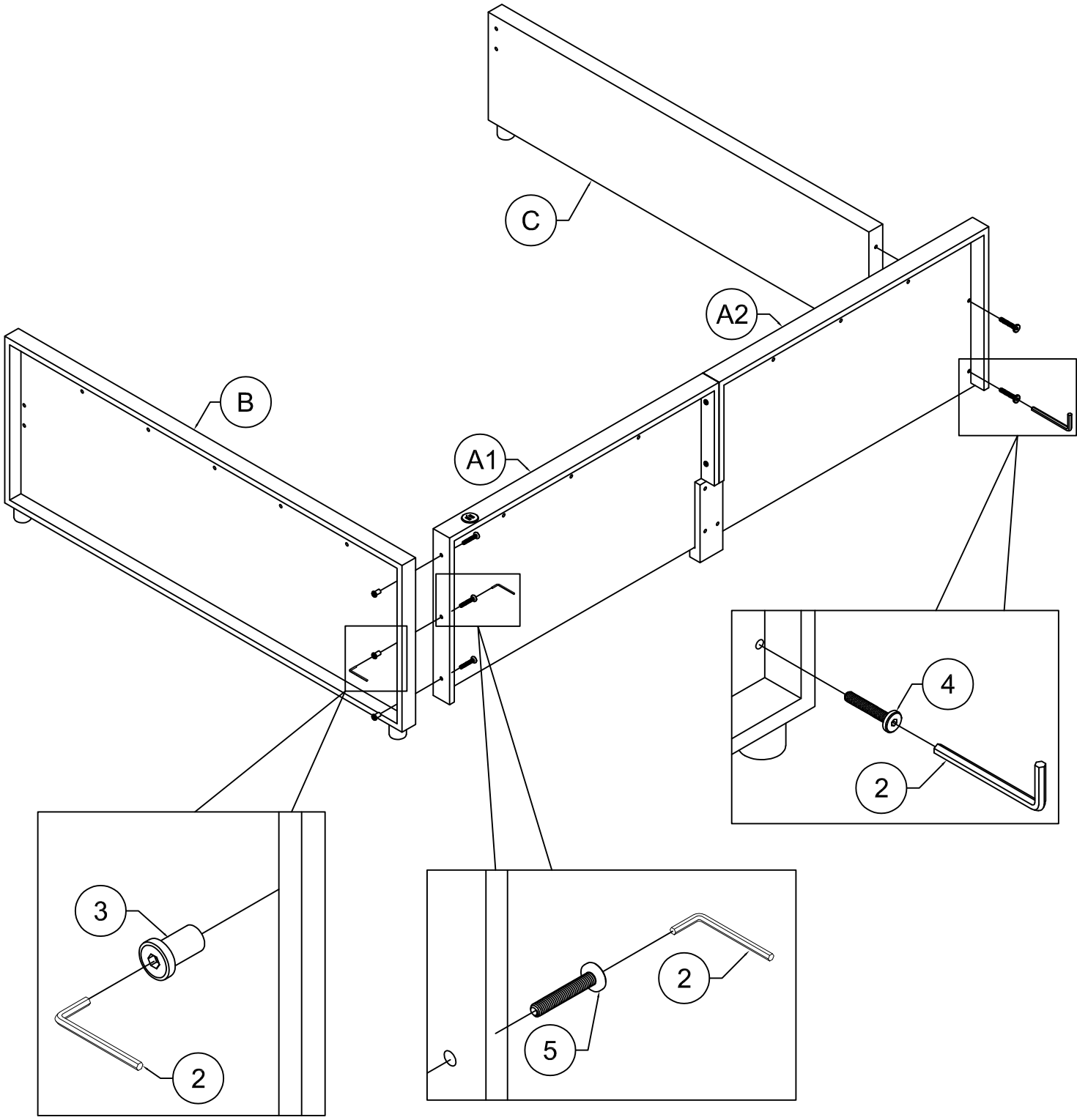
# STEP 2: Following below illustration:

3	5	11
		
2pcs	2pcs	4pcs





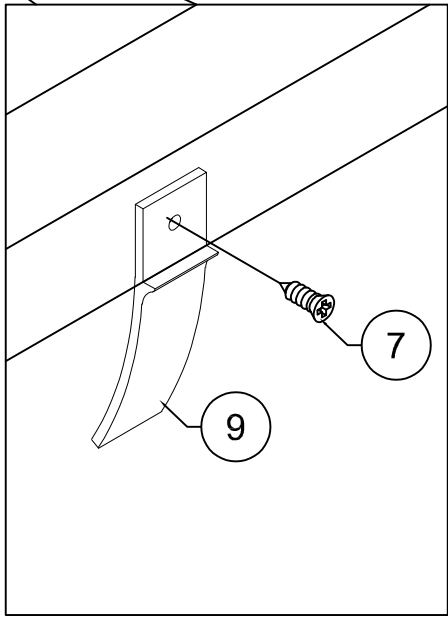
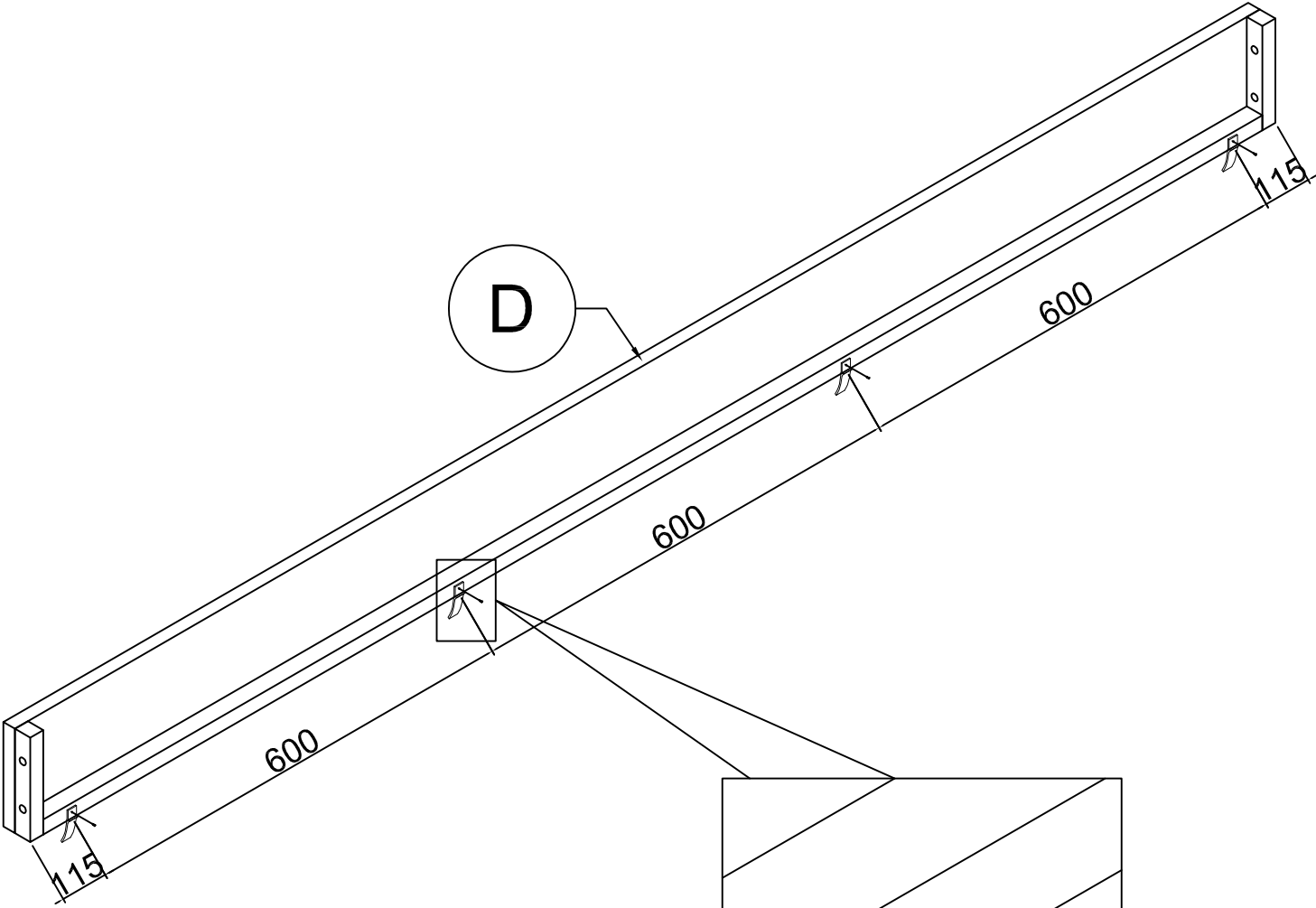
# STEP 3: Following below illustration:

3	4	5
		
3pcs	2pcs	3pcs



**STEP 4:** Following below illustration:

7		9	
4pcs		4pcs	

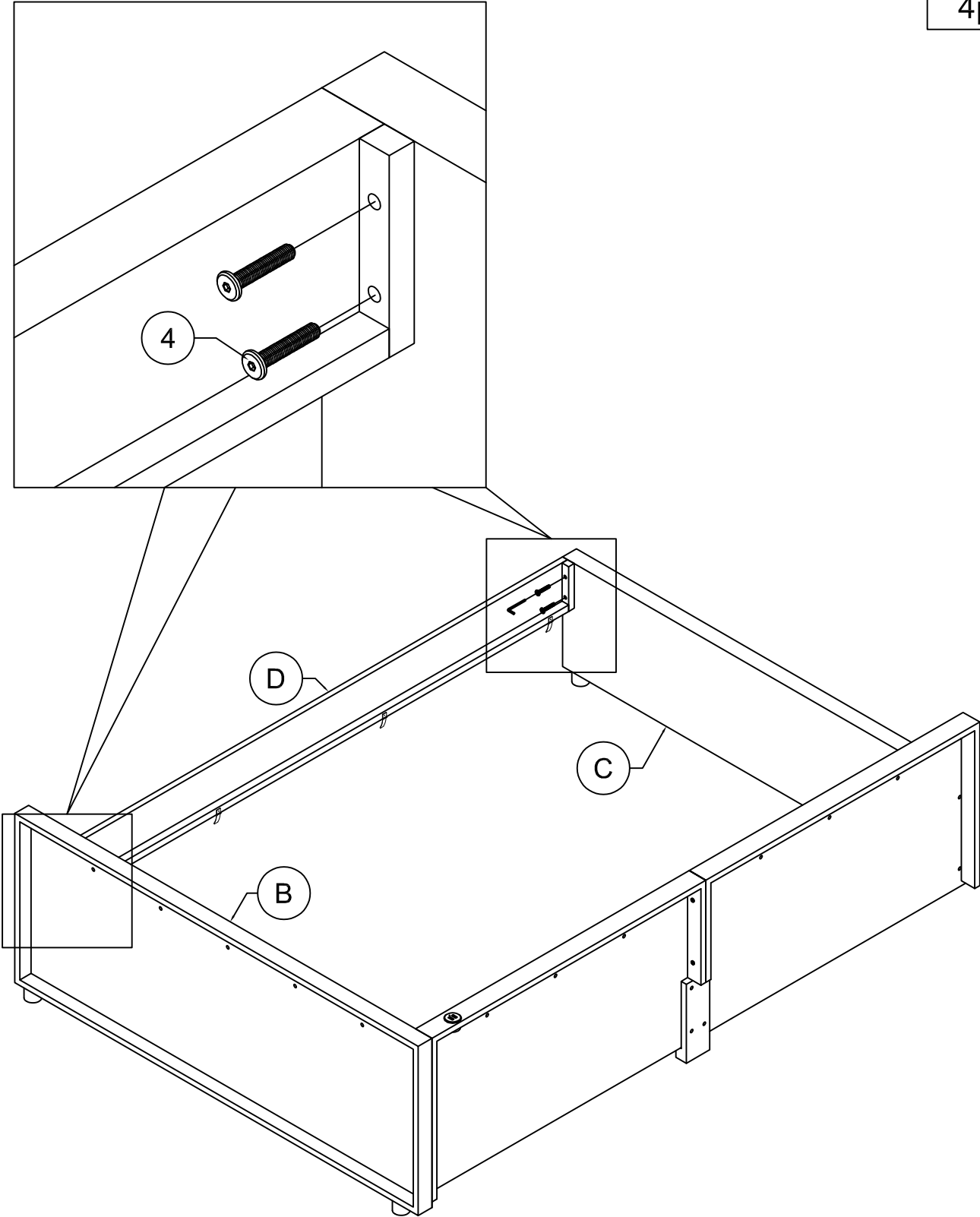


**STEP 5:** Following below illustration:

4

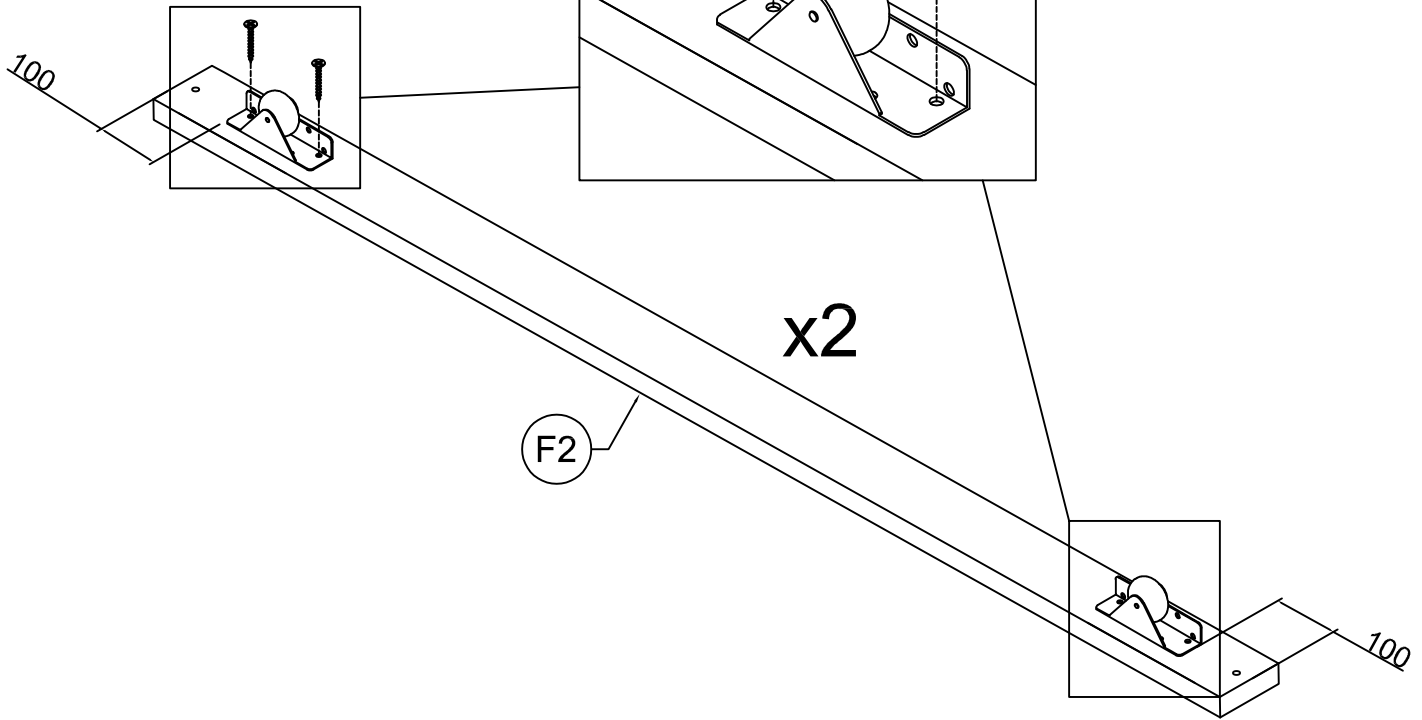



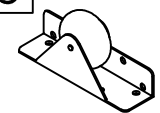
4pcs



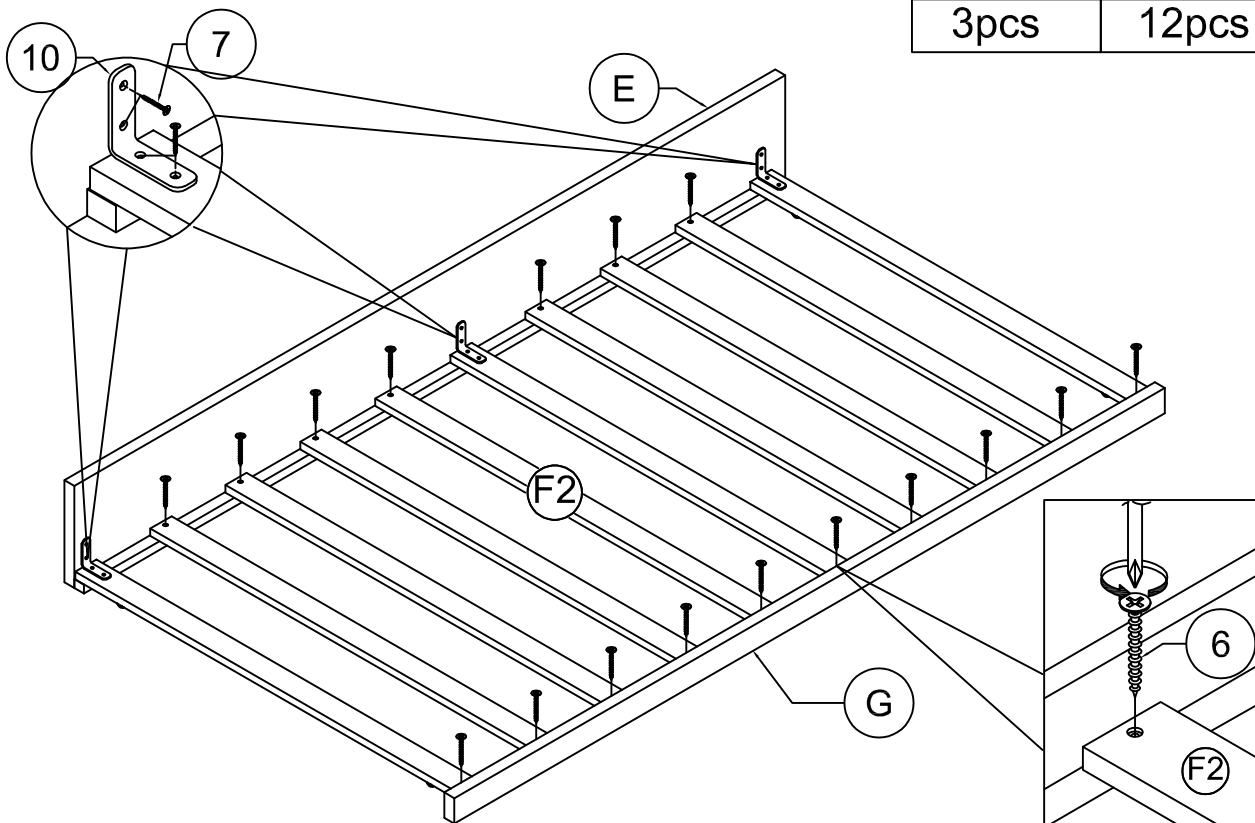




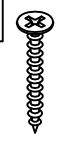
# STEP 7: Following below illustration:



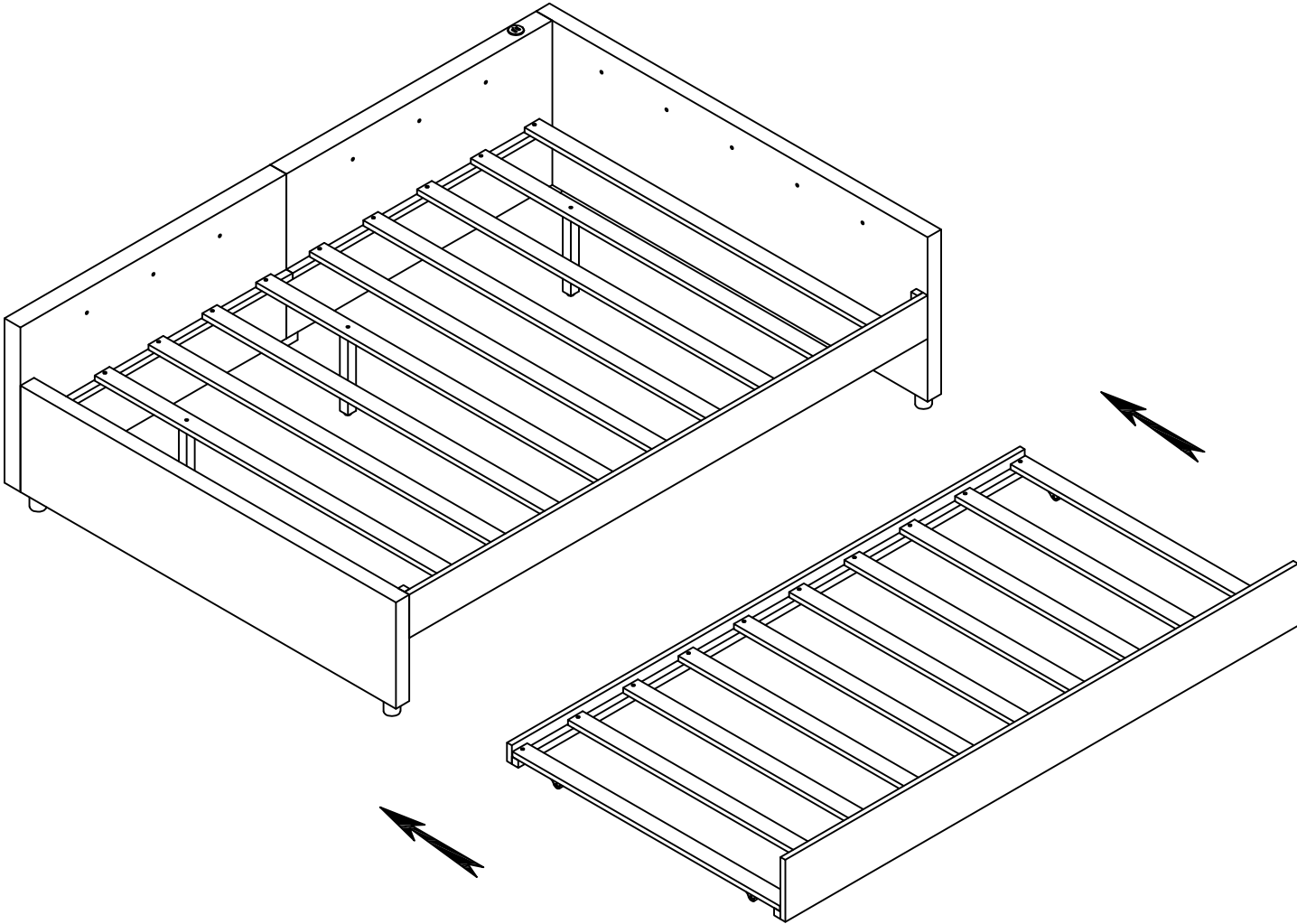
7		8	
8pcs		4pcs	

# STEP 6-1: Following below illustration:



10		7		6	
3pcs		12pcs		20pcs	

**STEP 8:** Following below illustration:



# FINISH

