

## Installation Manual for Wall lamp

(Warning: Cut off the power before installation to prevent electric shock)

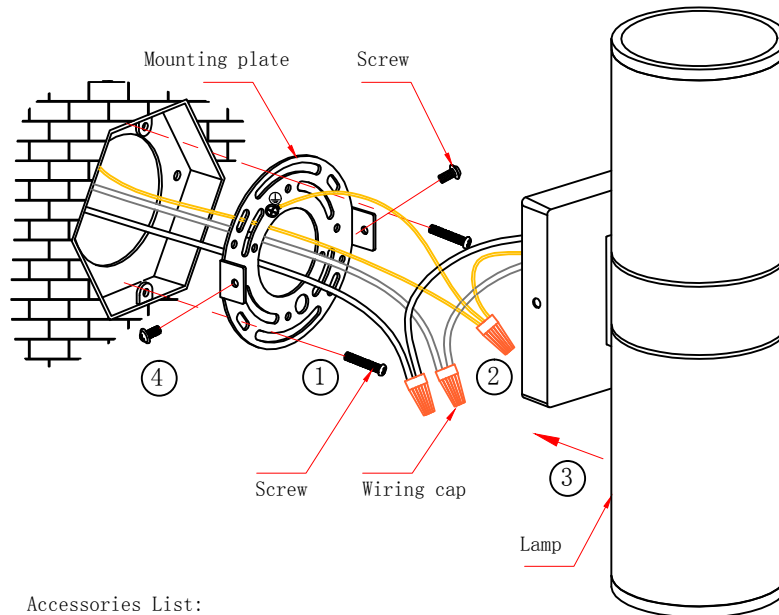
### SPECIFICATIONS

Lamp tube material	aluminum
Shade material	glass
size	35.43*11.81*4.72inch
weight	2.12lb
Voltage	AC100-277V
Watts	12W (6W*2)
Bulb type	LED
long life	>50000h




1 Taking out the Mounting plate and Screw from the accessories package, Then fix the Mounting plate on the mounting hole with screw.

2 Distinguish the file line, zero line and ground line with Wiring cap and connecting well

3 Fixing the mounting hole with mounting plate, tighten the screw ,complete the installation.



### Accessories List:

		
Screw	Wire connector	Instruction
2PCS	3PCS	1 PCS