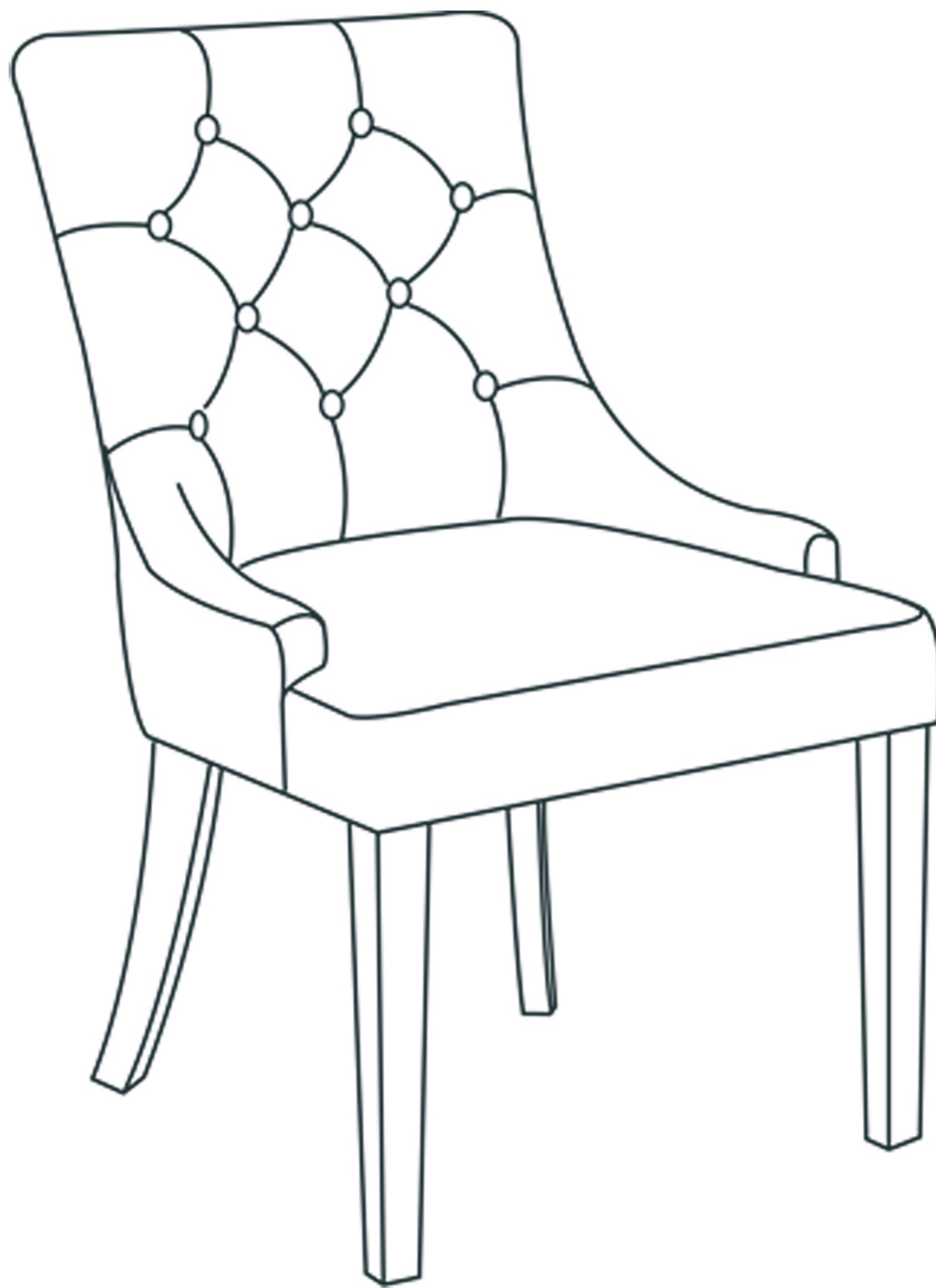


ASSEMBLY INSTRUCTION



SKU: 5283

Dear customer,

Thank you very much for buying our items. Please read the assembly instruction carefully before assembly.

Notices:

- Verify that all parts are present and in good condition before assembly.
- Put the chair on a clean flat surface.
- Make sure to use 4 shorter screws (D) to fix the back legs and 4 longer screws (E) to fix the front legs.
- Please tight the screws about 80% for the first step;

Then, sit with caution on the chair to adjust the balance of the frame;
Finally, tighten the screws completely 100%.

- If you find that four legs are unlevel after assembly, you can use adjustable pegs to keep four legs level.

Contact us

If there are installation problems, damage, missing parts, or any questions and concerns, please contact the shop where you bought it so we can make things right.

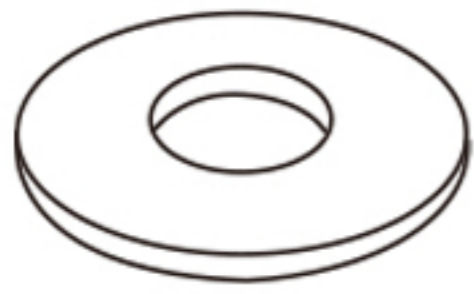
If the product is damaged, please send the following information:

- Photos that show the reason for your claim/damage.
- Photos of the packaging (inside and outside).

Thank you very much for your support!

Package Contents

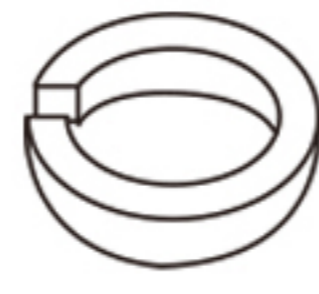
A×8



$\varphi 8$

Flat washer

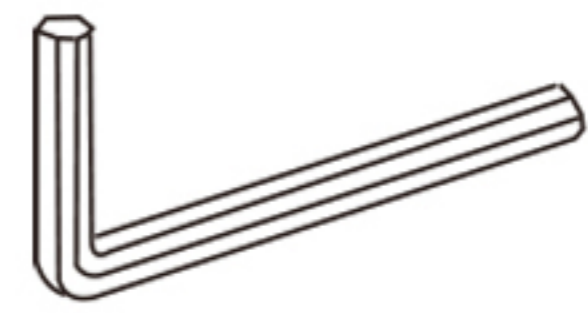
B×8



$\varphi 8$

Lock washer

C×1



M8

Allen key

D×4



M8x55mm

Shorter Screw

E×4



M8x60mm

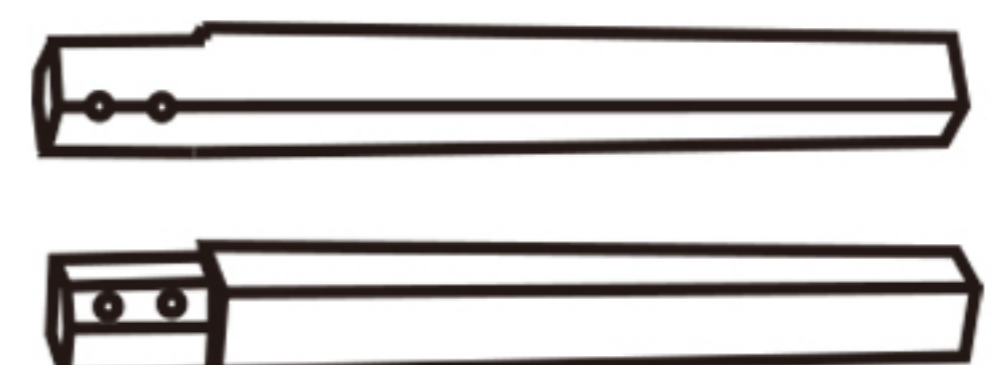
Longer Screw



Back



Back Legs

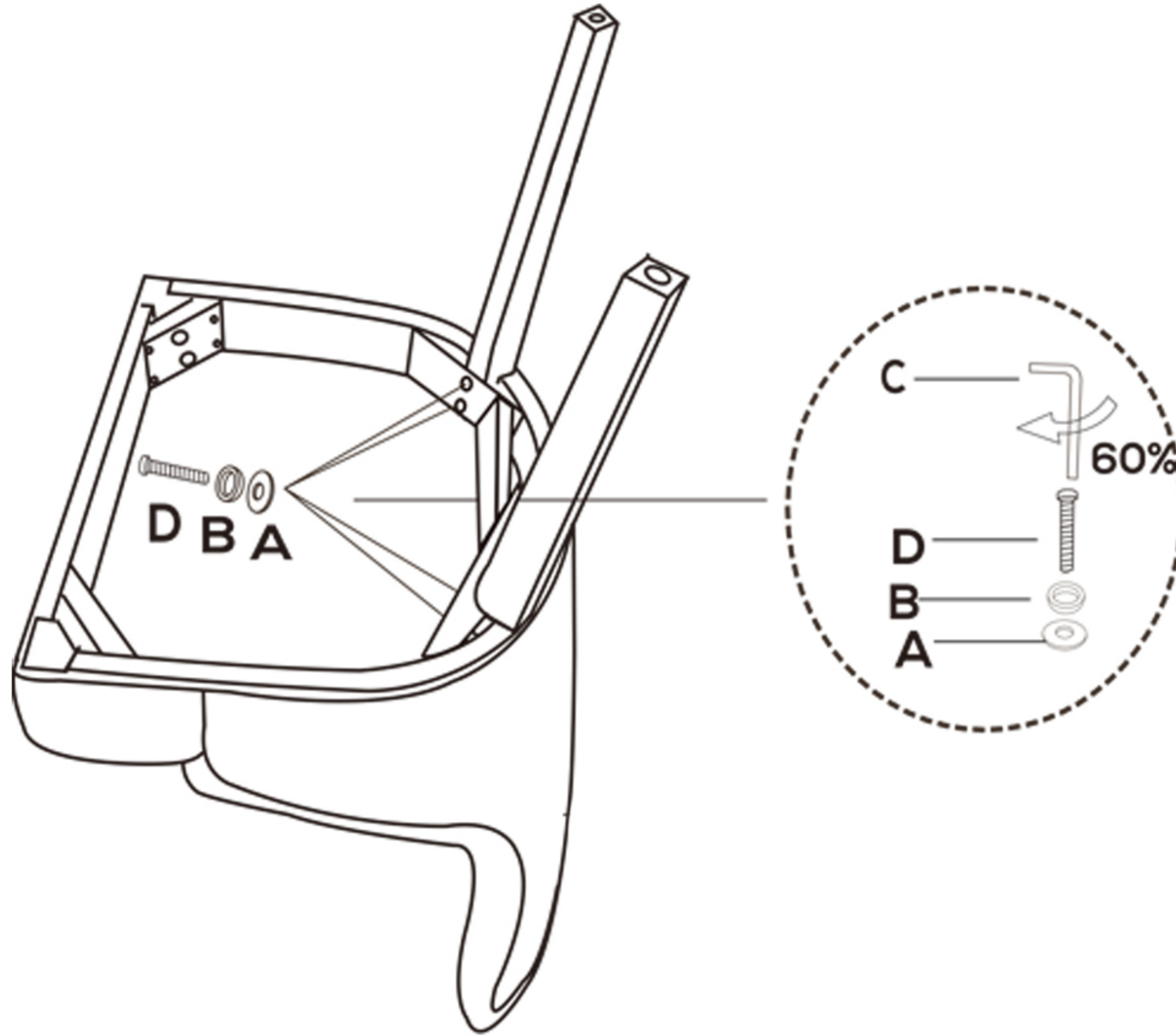


Front Legs

Step by Step Guide

1 The legs, screws, and tools are inside the seat cushion under the chair.

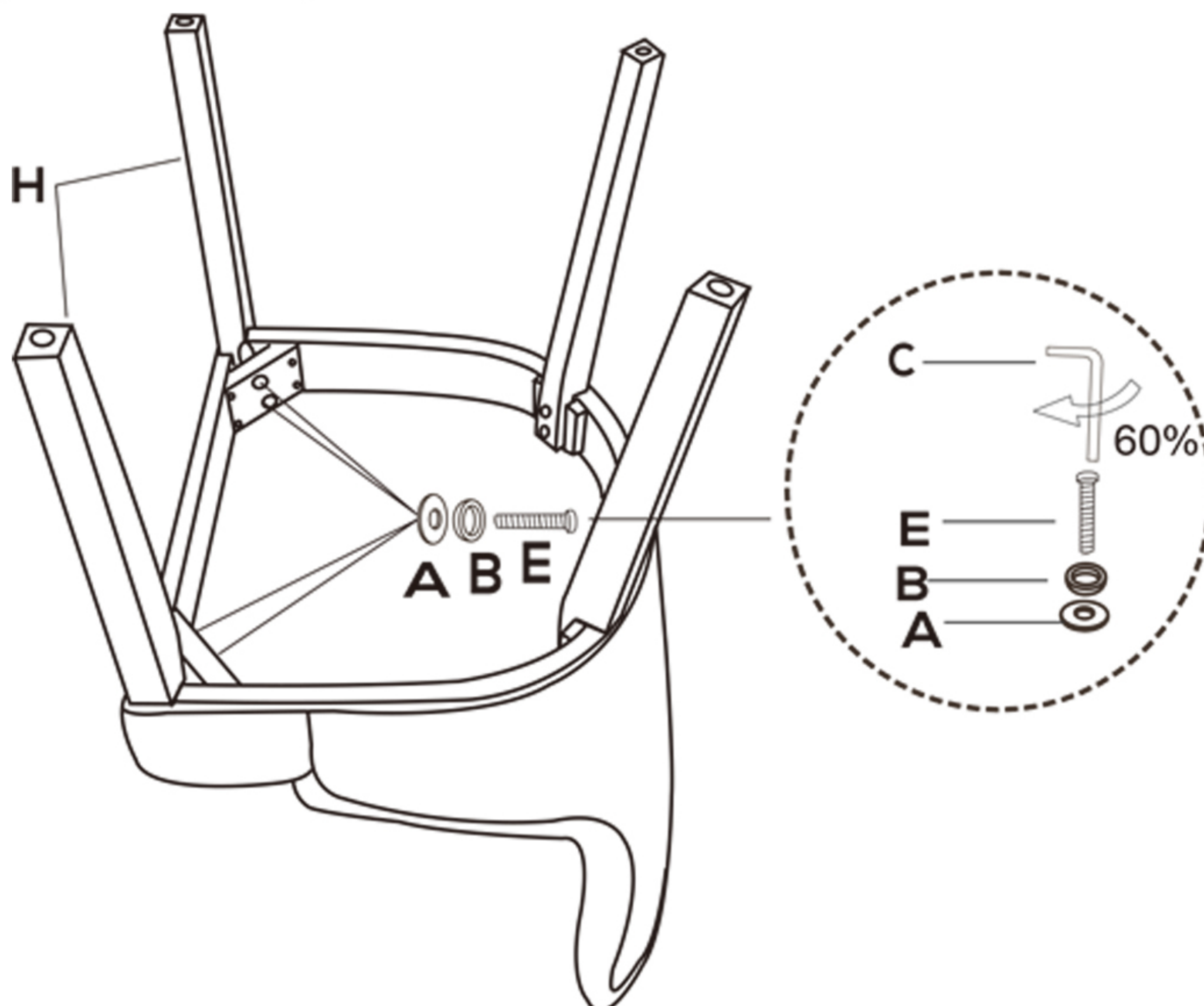
It takes 15 minutes for an adult to finish assembling.



2 Please open the fabric cover under the seat.

Taking the back leg to align the holes of the seat cushion of the chair by using screws (D) with Washer (#A, B).

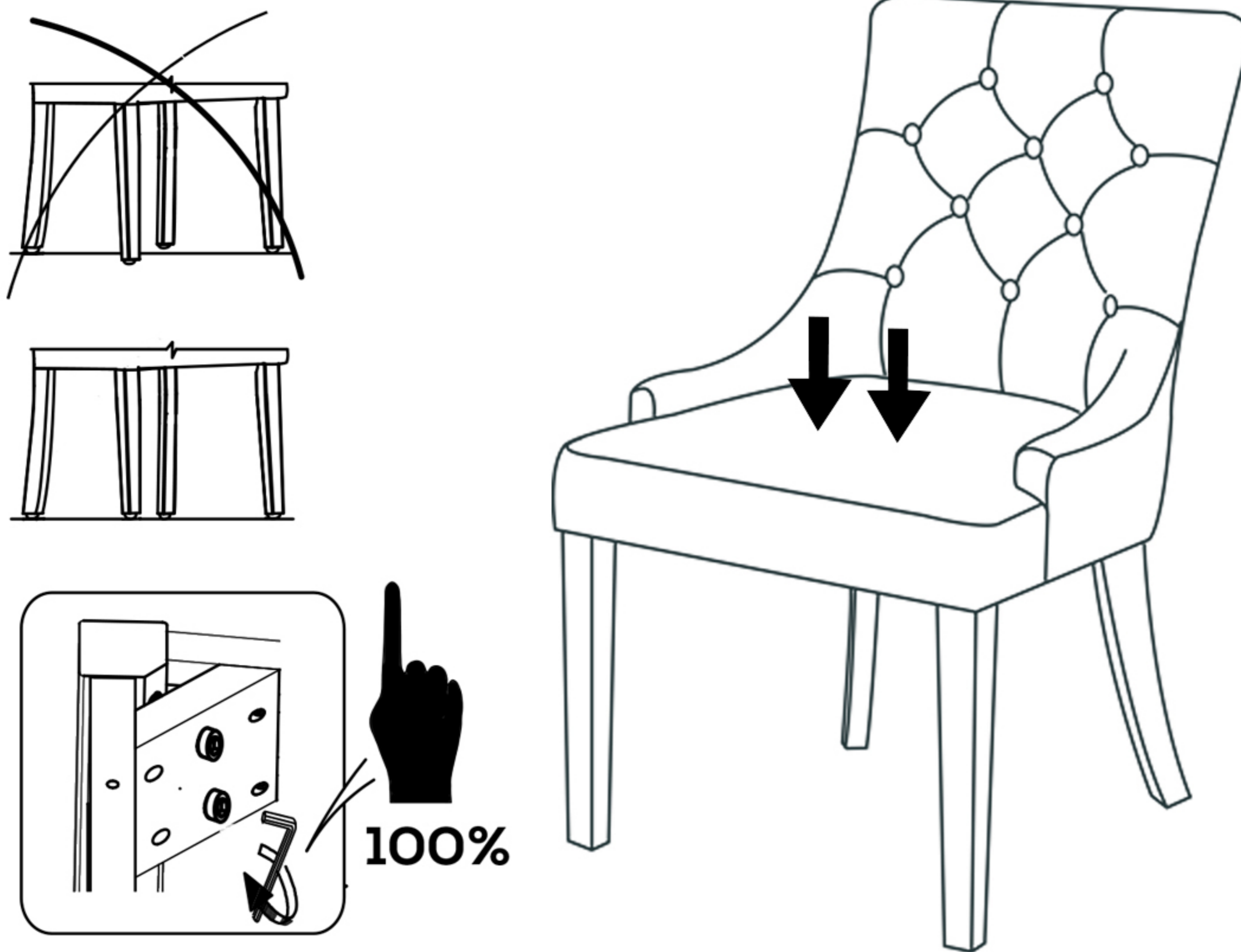
Just tighten them up to 60-80%.



- 3** Taking the front leg to Align the holes of the seat cushion of the chair by using screws (E) with washers (#A, B).

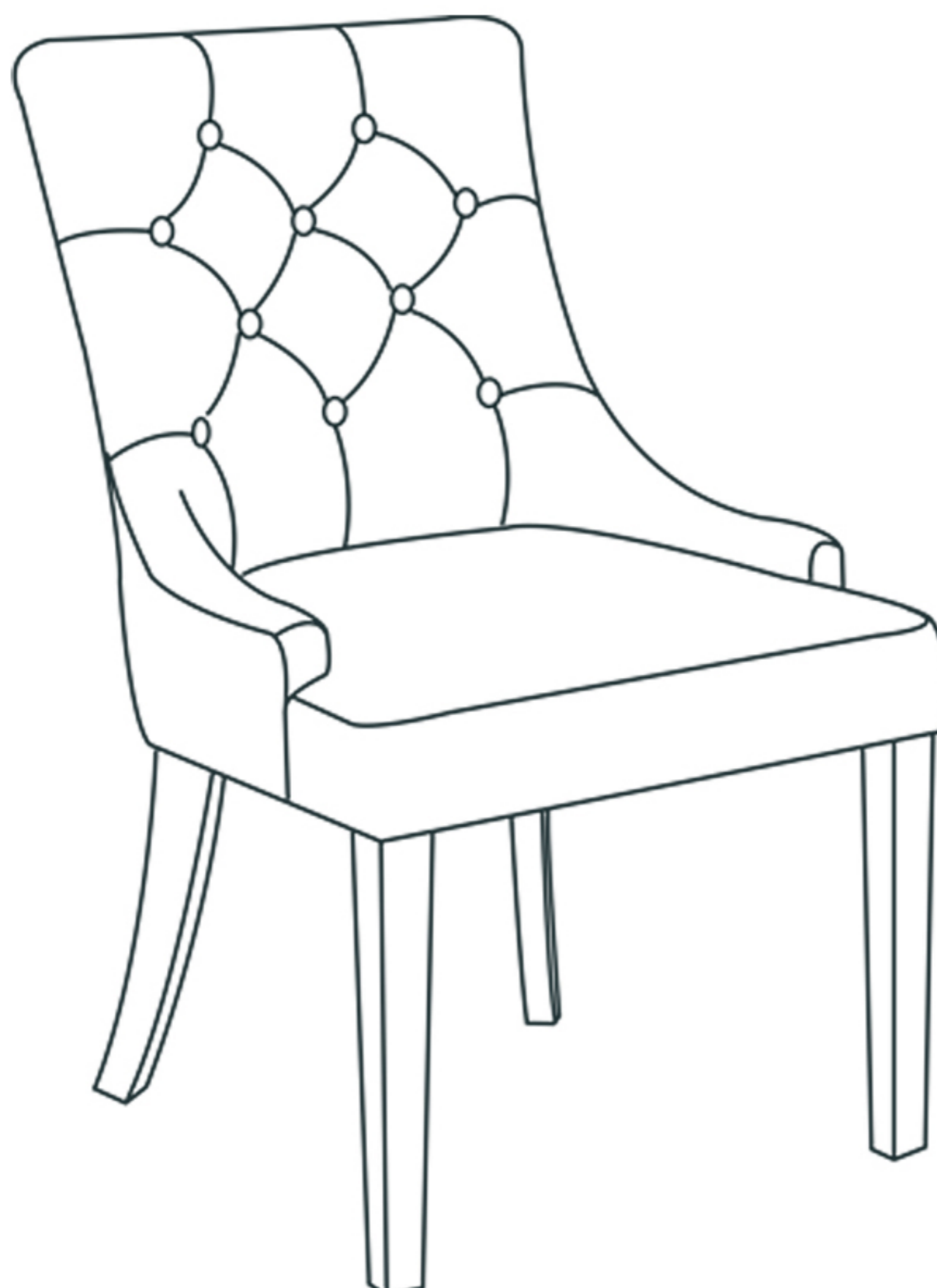
Tighten all 4 screws together at the same time.

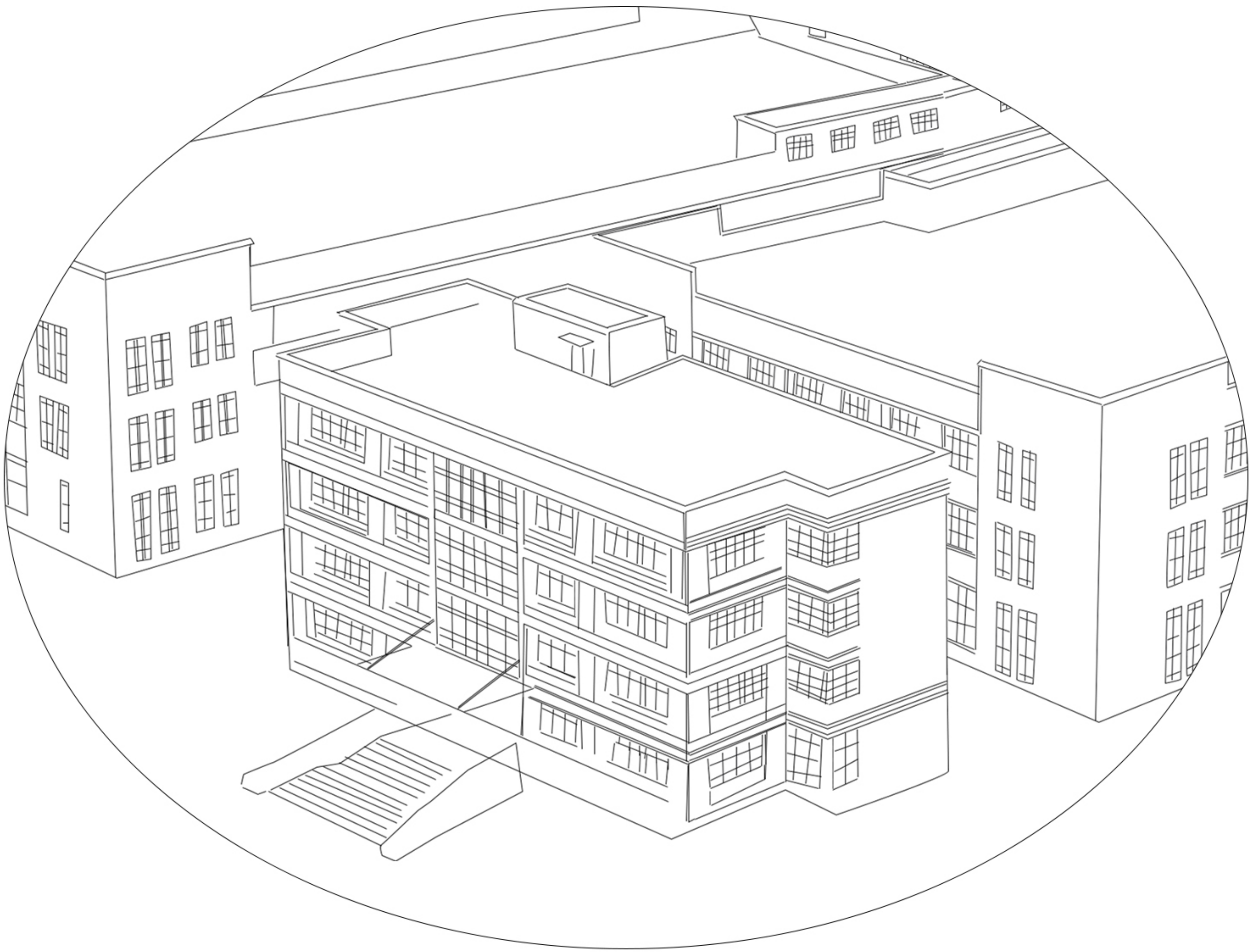
Just tighten them up to 60-80%.



- 4** Sit on the chair, be sure that all 4 feet touch the ground and the chair is leveled.

Tighten all screws up to 100%. Put the fabric cover after finished chair assembly.





About us

We are a professional manufactory for making and selling dining chairs. In the past 15 years, we have exported millions of chairs to Europe and USA.

We focus on providing you with high-quality products that meet international standards. To ensure timely shipping, we have built large warehouses in California, New York, and Georgia.

Contact us

The fastest way to get more information about the deals!

Ins: Pekkohome

Facebook: Pekkohome

Whatsapp: +1(626)-684-6315

Email: support@pekkohome.com

Web: Pekkohome.com