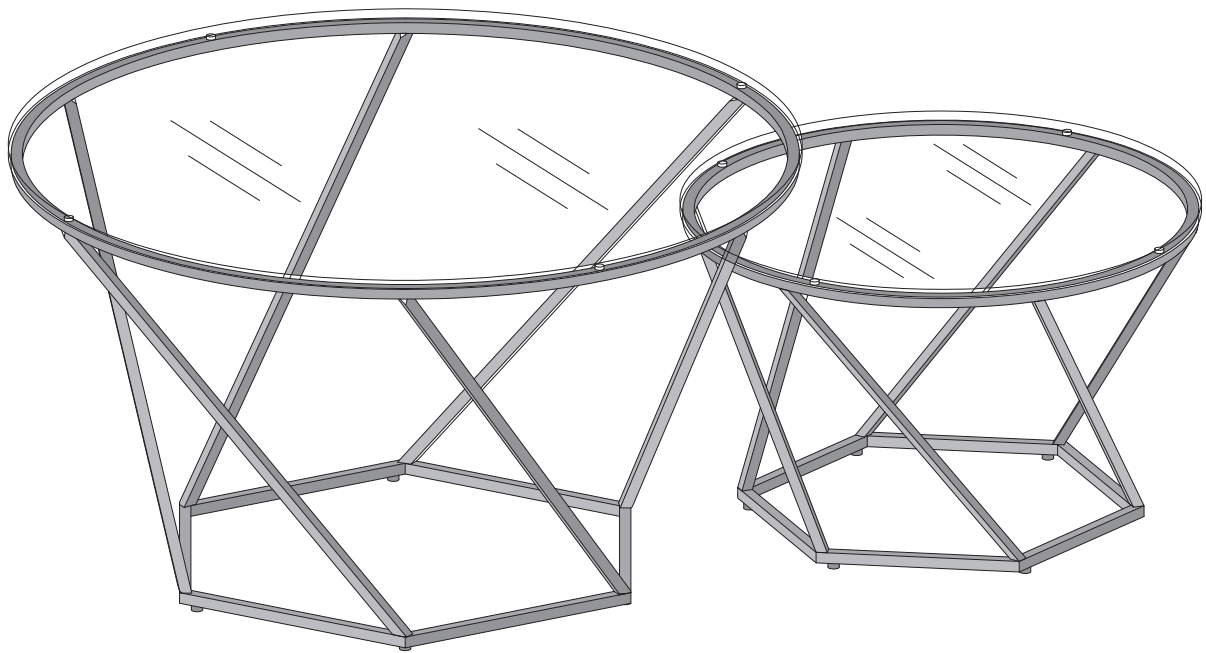
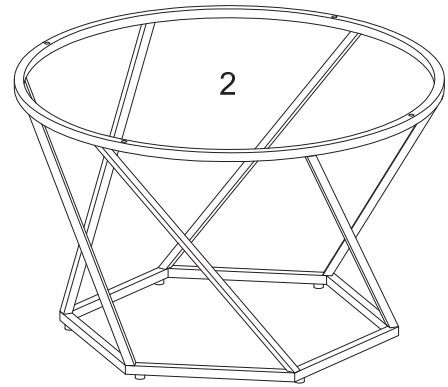
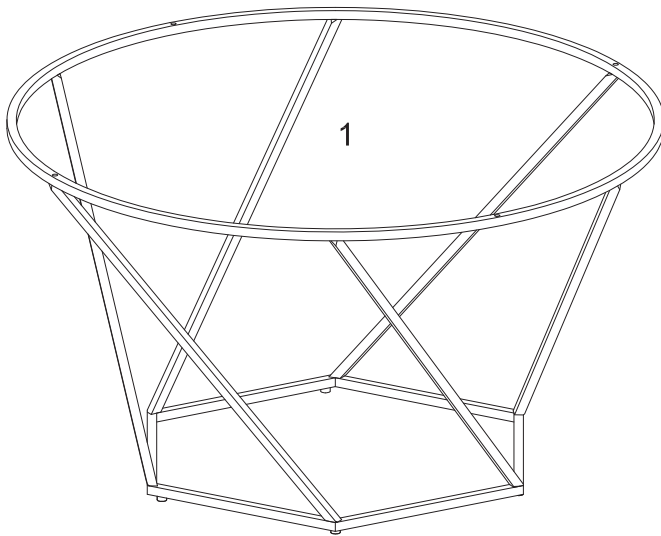
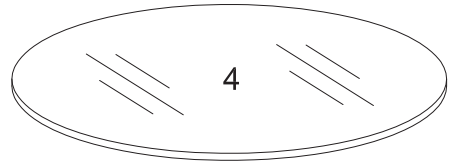
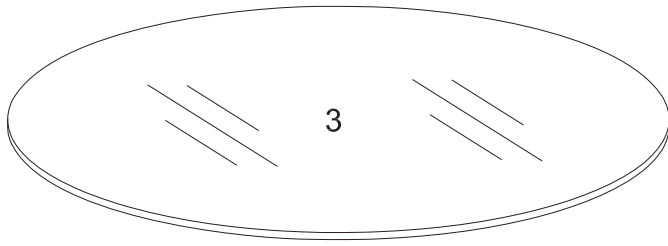


Assembly Instructions



Parts List



Hardware List

A

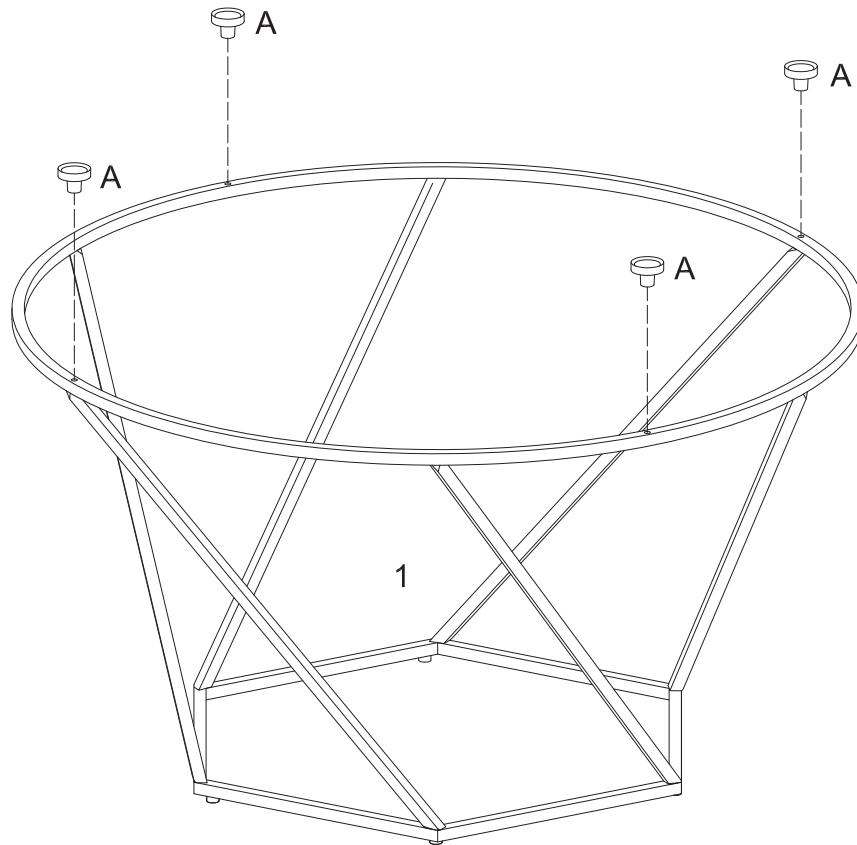


Rubber suction cups

8 pcs

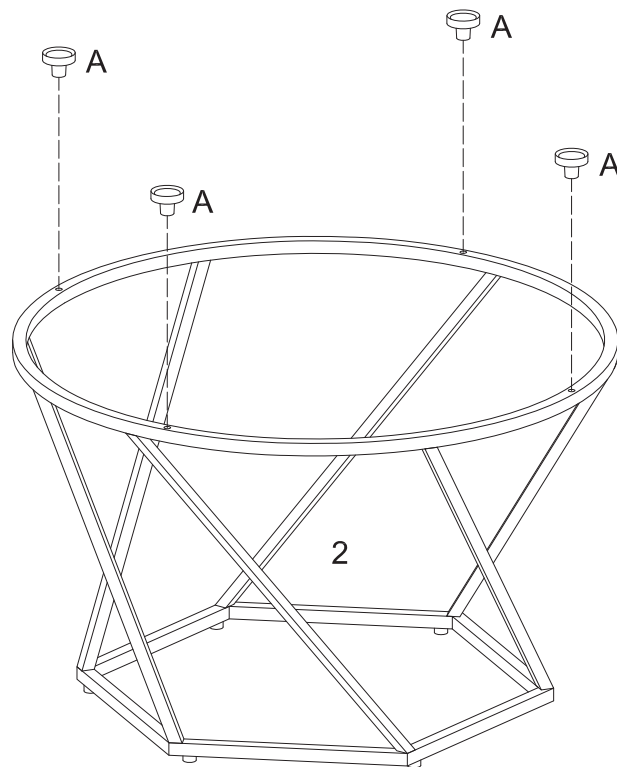
*The hardware quantities listed above are required for proper assembly.
Some extra hardware may also have been included.*

Step 1



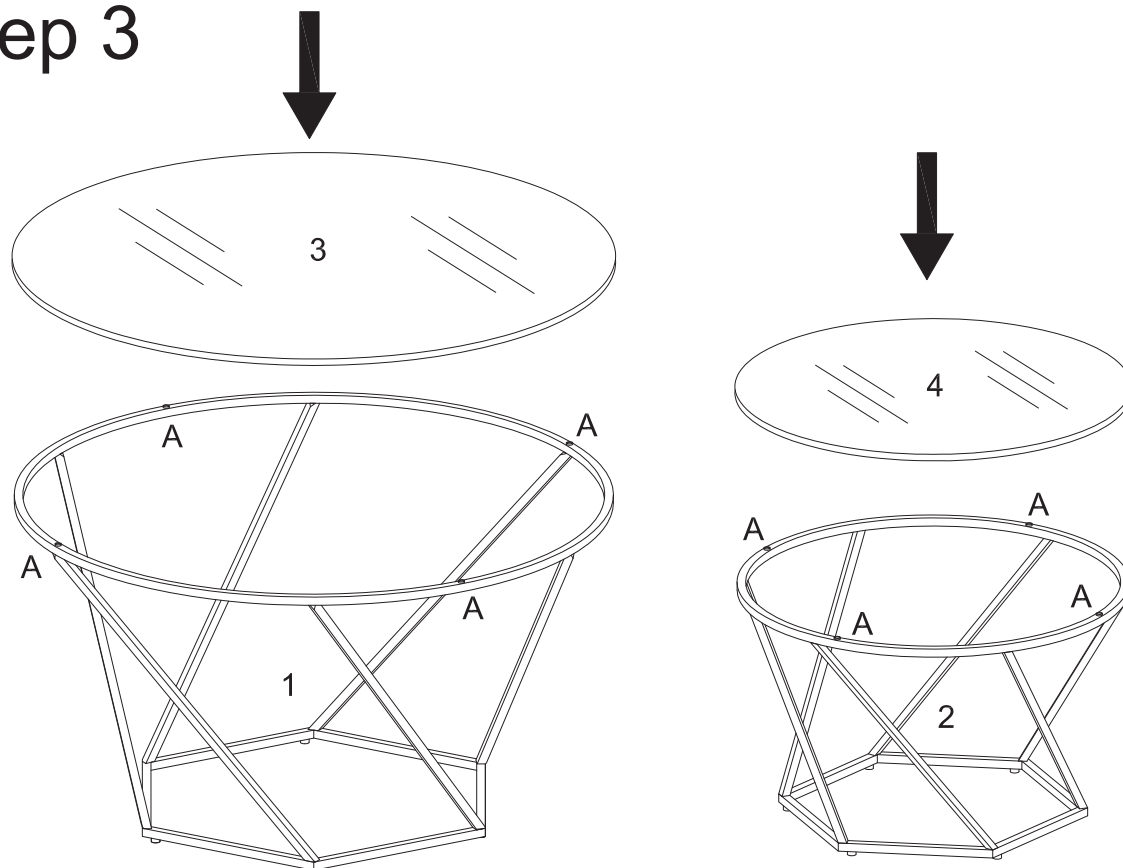
Insert the rubber suction cups (A) to the metal base (1).

Step 2



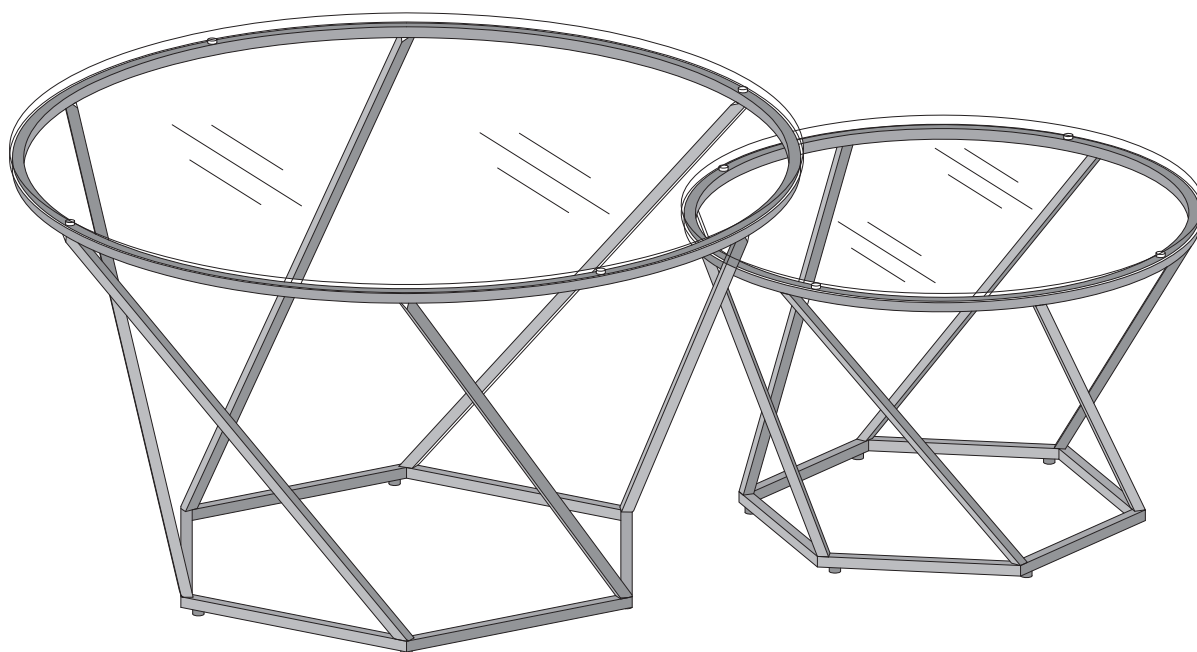
Insert the rubber suction cups (A) to the metal base (2).

Step 3



Place the glass table top (3,4) on top of the metal base (1,2) carefully as per diagram.

Step 4



Final Assembly