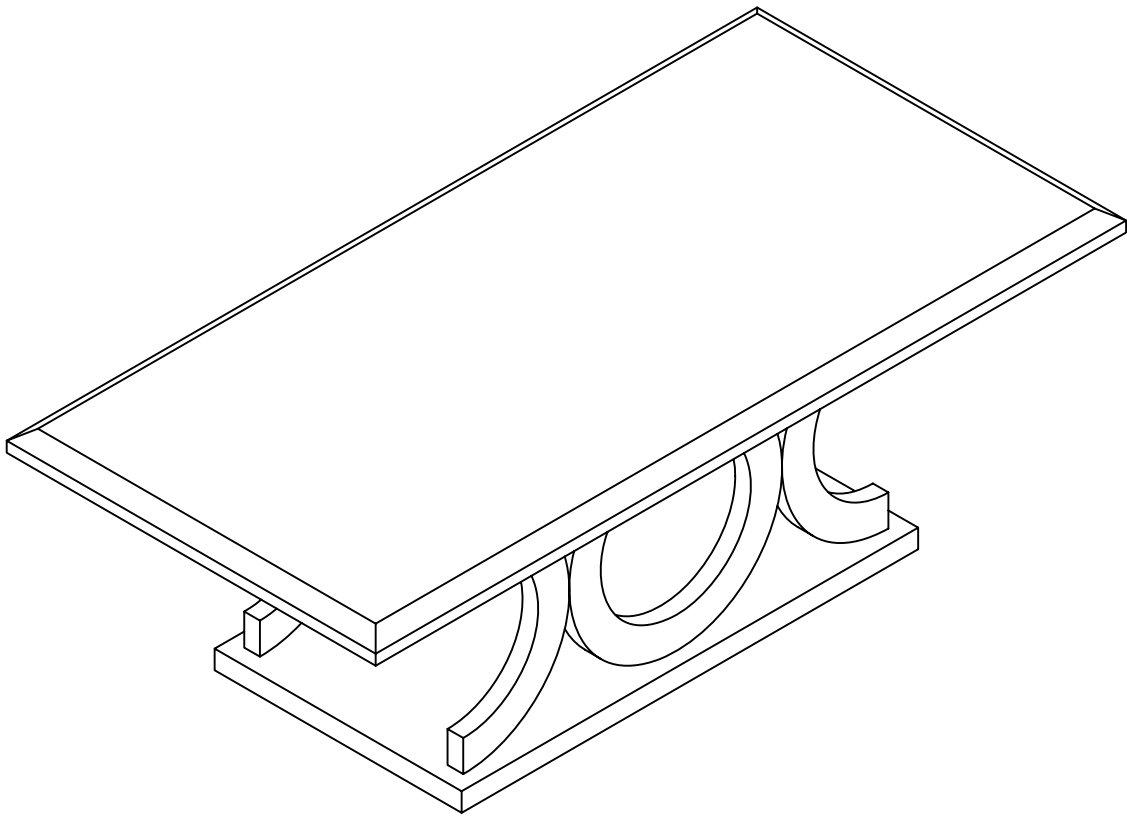


COFFEE TABLE

ASSEMBLY INSTRUCTION



ASSEMBLY INSTRUCTION

ASSEMBLY TIPS:

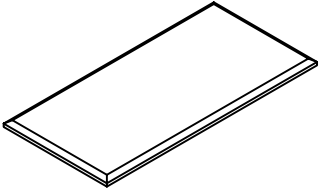
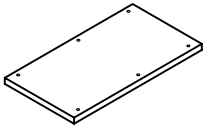


- 1.Remove hardware from box and sort by size.
- 2.Please check to see that all hardware and parts are present prior to start of assembly.
- 3.Please follow attached instructions in the same sequence as numbered to assure fast & easy assembly.

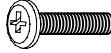

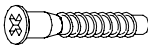

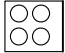


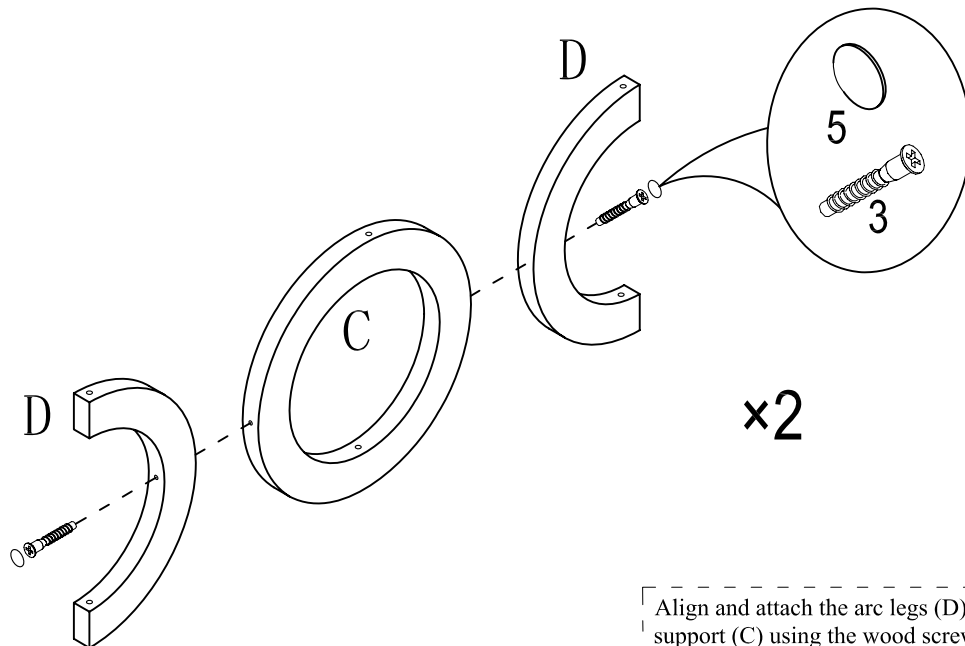
Warning !!

1. Don't attempt to repair or modify parts that are broken or defective .Please contact the store immediately.
2. This product is for home use only and not intended for commercial establishment.

PARTS IDENTIFICATION

(A) TOP PANEL		1 PC
(B) BASE		1 PC
(C) CIRCULAR SUPPORT		2 PCS
(D) ARC LEG		4 PCS

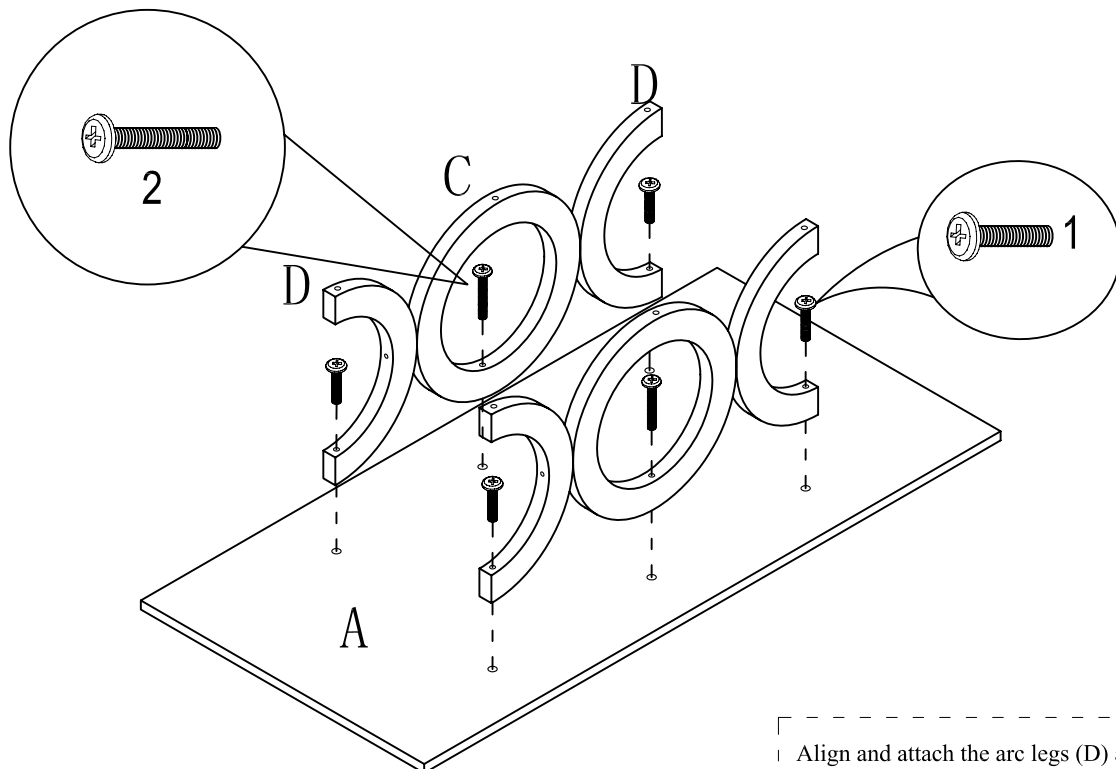
Z	HARDWARE PACKAGE			
NO	DESCRIPTION		FIGURE	Q'TY
1	SMALL FLAT-HEAD SCREW	M6x40mm		4pcs
2	BIG FLAT-HEAD SCREW	M6x60mm		2pcs
3	WOOD SCREW	Ø7×58mm		10pcs
4	PLASTIC PAD WITH SCREW	Ø55×25mm		4pcs
5	STICKER	Ø18		4pcs



STEP 1

Align and attach the arc legs (D) to the circular support (C) using the wood screw, tighten with a screw driver (NOT INCLUDED). Repeat the process.

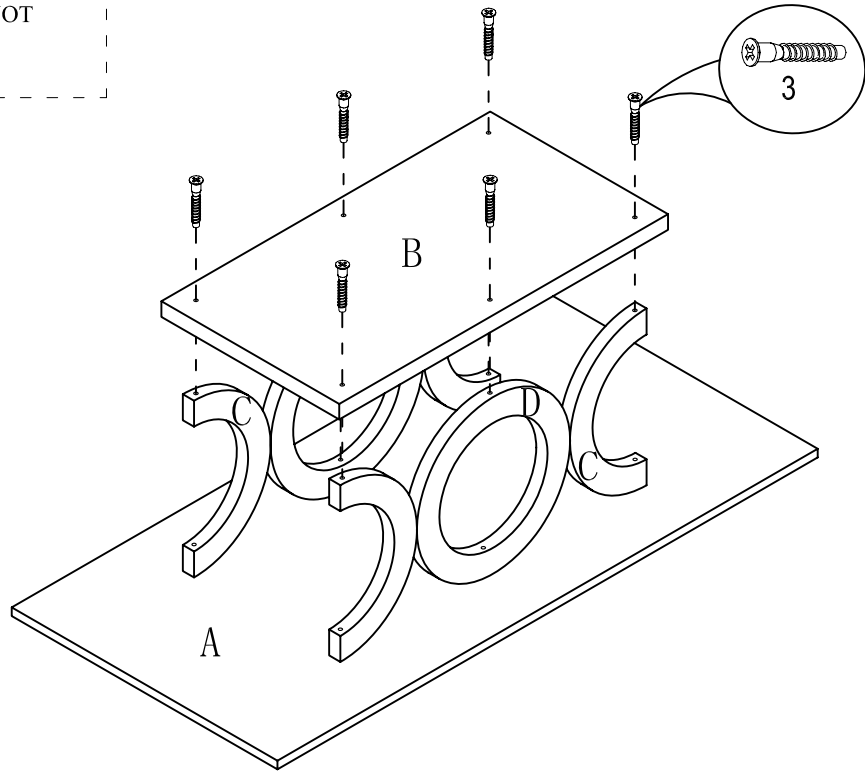
STEP 2



Align and attach the arc legs (D) and the circular support (C) to the top panel (A) using the small flat-head screw (1), tighten with a screw driver (NOT INCLUDED).

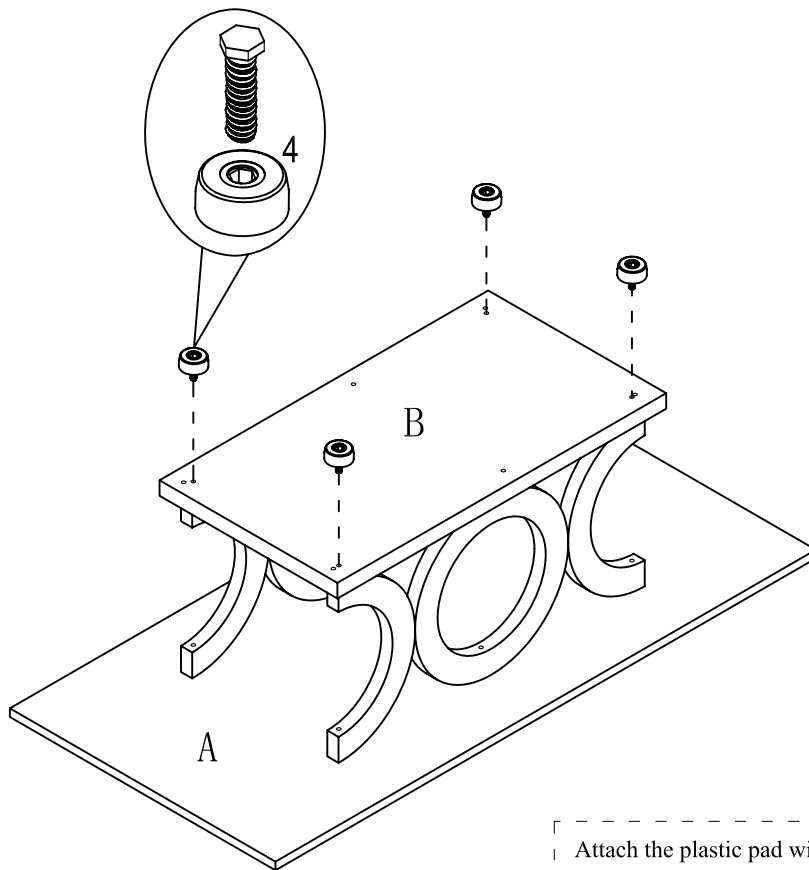
ASSEMBLY INSTRUCTION

Align and attach the base (B) to the legs using the wood screw, tighten with a screw driver (NOT INCLUDED).



STEP 3

STEP 4



Attach the plastic pad with screw (4) to the base (B).