



# PLEASE READ BEFORE INSTALLATION

If you encounter any problems, such as missing accessories or damaged parts, please contact us and send us pictures in time.

Our after-sales team will reply to you with in 24 hours.

Two people are needed for assembly.

Use an electric drill in slow mode. Our Allen wrench is recommended.

**DO NOT** tighten the screws completely until all the screws are aligned with the holes.

**1**

M 4



X1

**2**

M 6



X1

**3**



X1

**4**

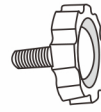
M 8 X 50MM



X4

**5**

M 8 X 20MM



X6

**6**



X4

**7**



X2

**8**



X2

**9**



X2

**10**

M 6 X 40MM



X8

**11**

M 6 X 35MM



X16

**12**



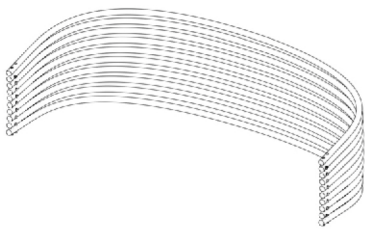
X24

**13**



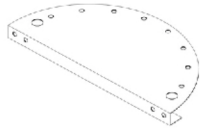
X24

**A**



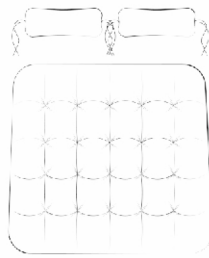
X1

**B**



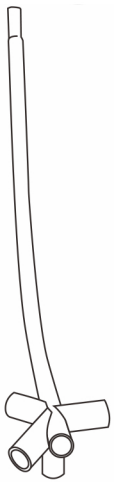
X2

**AA**



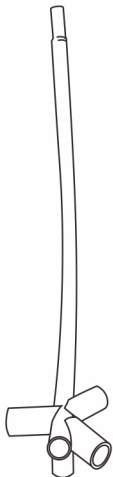
X1

**C**



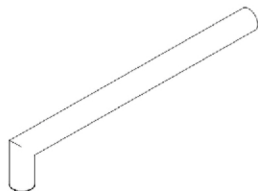
X1

**D**



X1

**E**



X4

**F**



X1

**H**



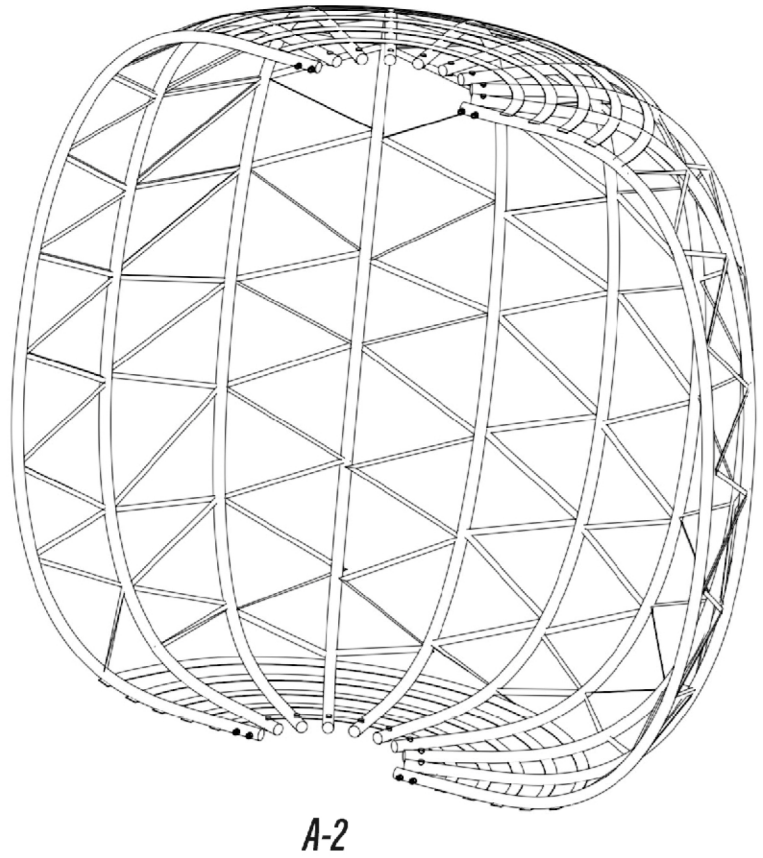
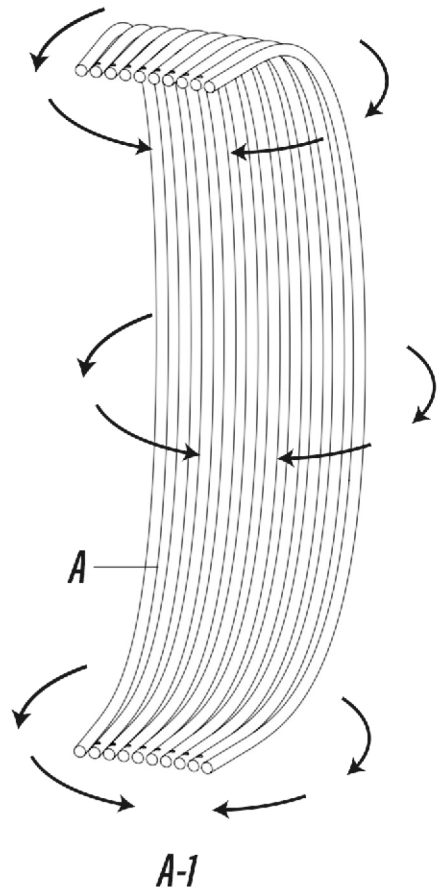
X2

**I**



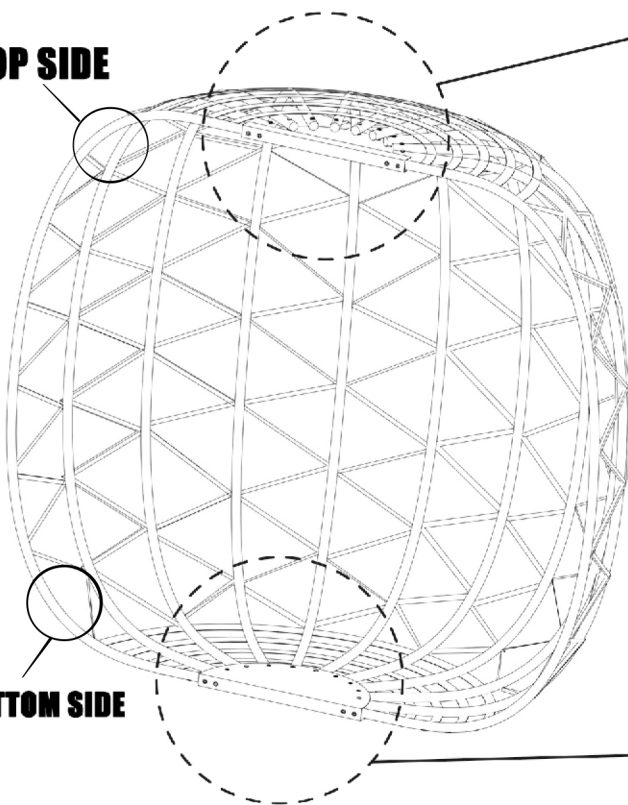
X2

**1**

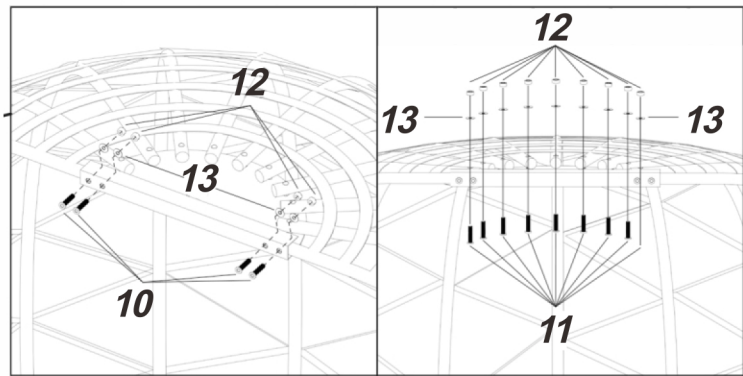


**2**

**TOP SIDE**



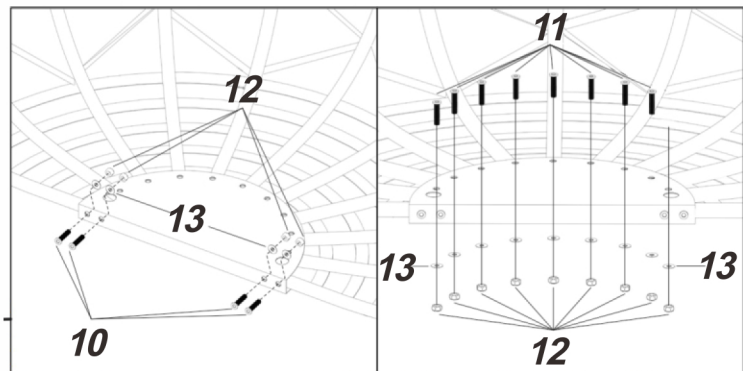
**BOTTOM SIDE**



**B-1**

**B-2**

FINISH THE #10 SCREWS FIRST  
WILL HELP YOU TO INSTALL #11 SCREWS BETTER



**C-1**

**C-2**

**10**



X 8

**11**



X 16

**12**



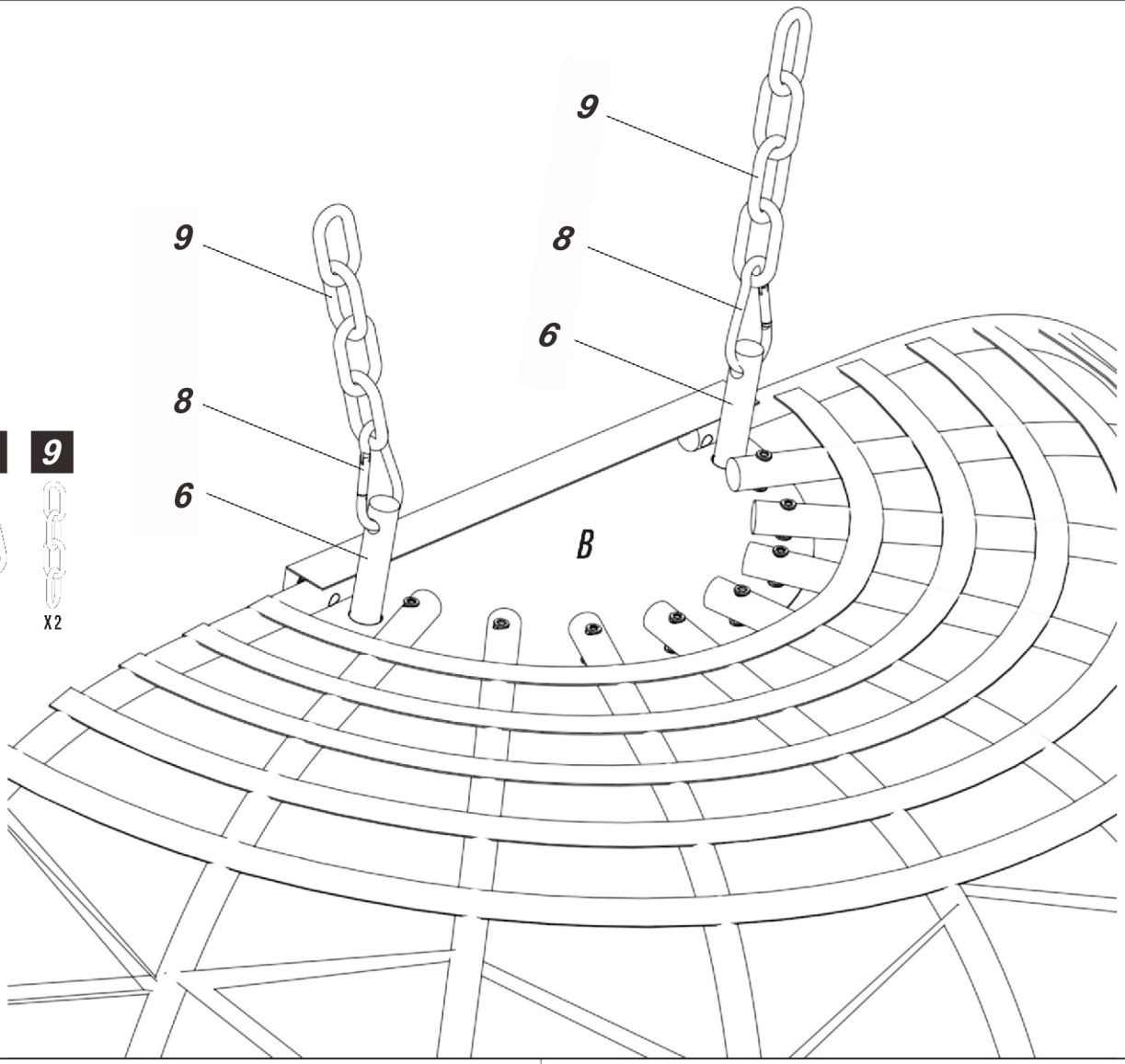
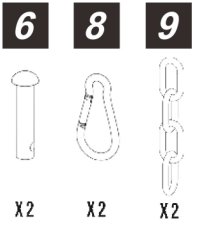
X 24

**13**

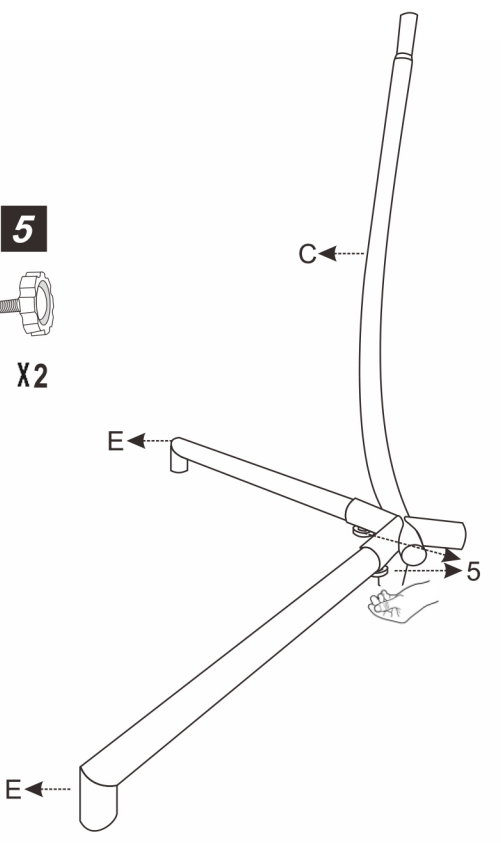
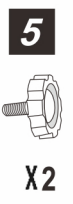


X 24

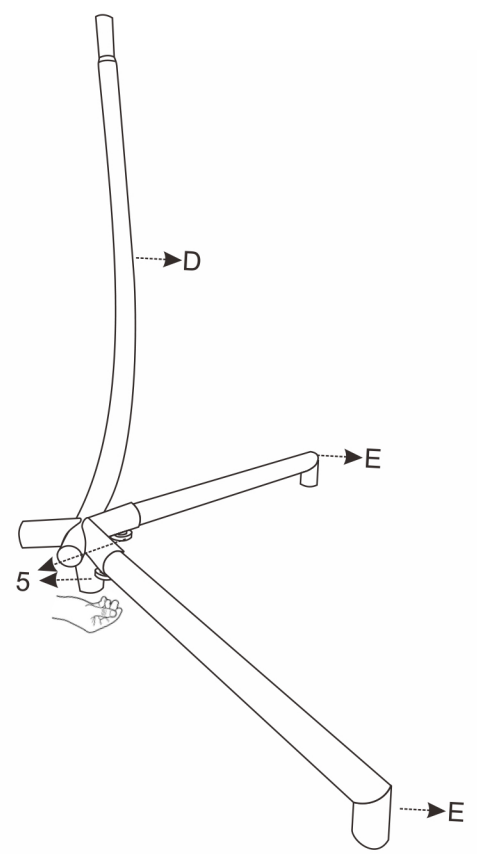
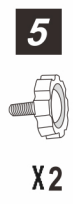
**3**



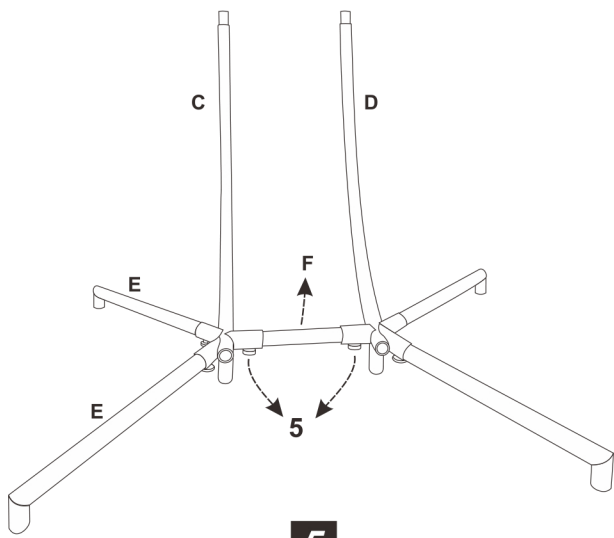
**4**



**5**



**6**

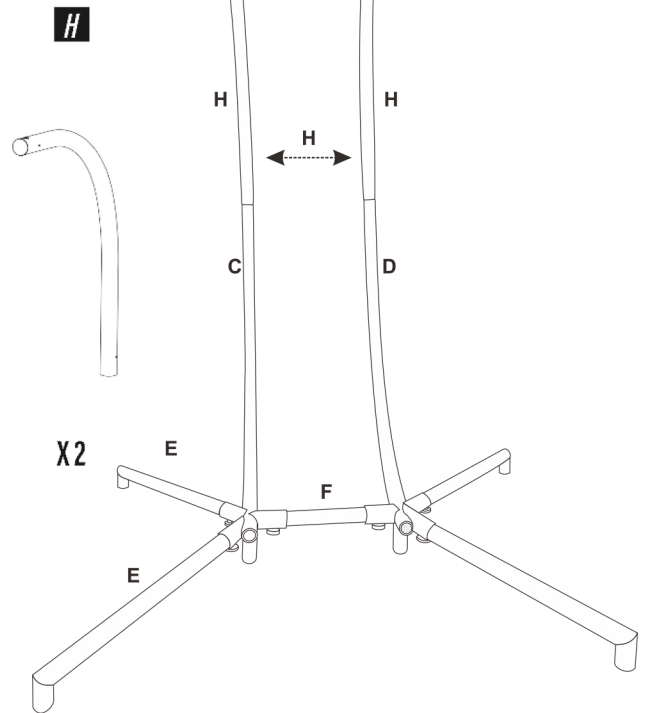


**5**



X2

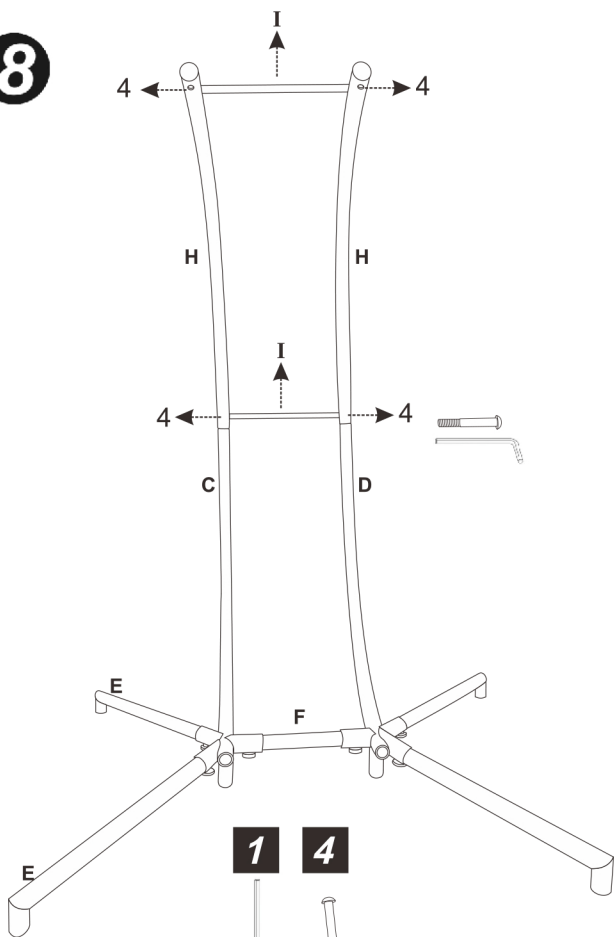
**7**



**H**

X2

**8**



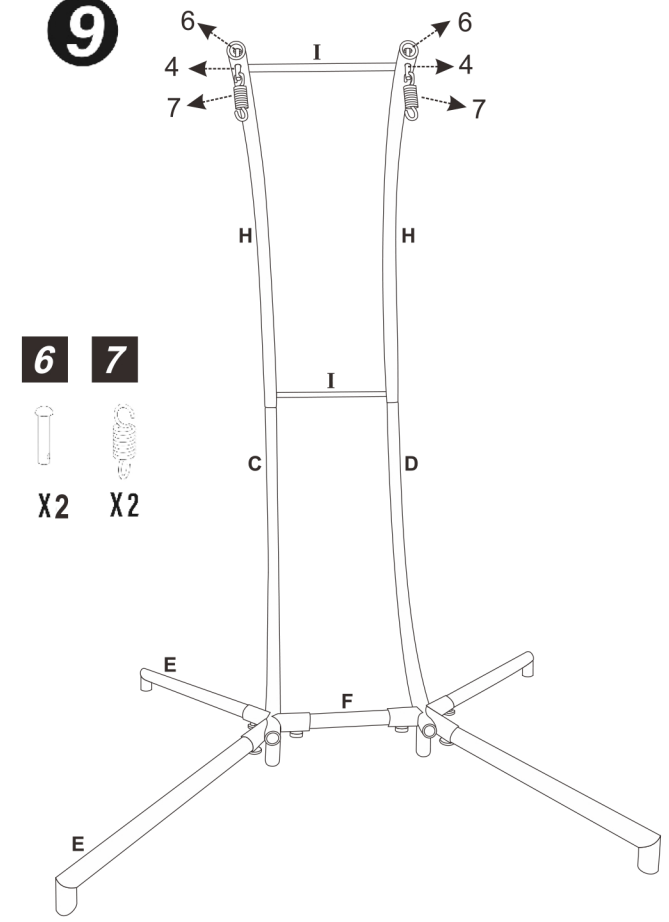
**1**

**4**

X1

X4

**9**



**6**

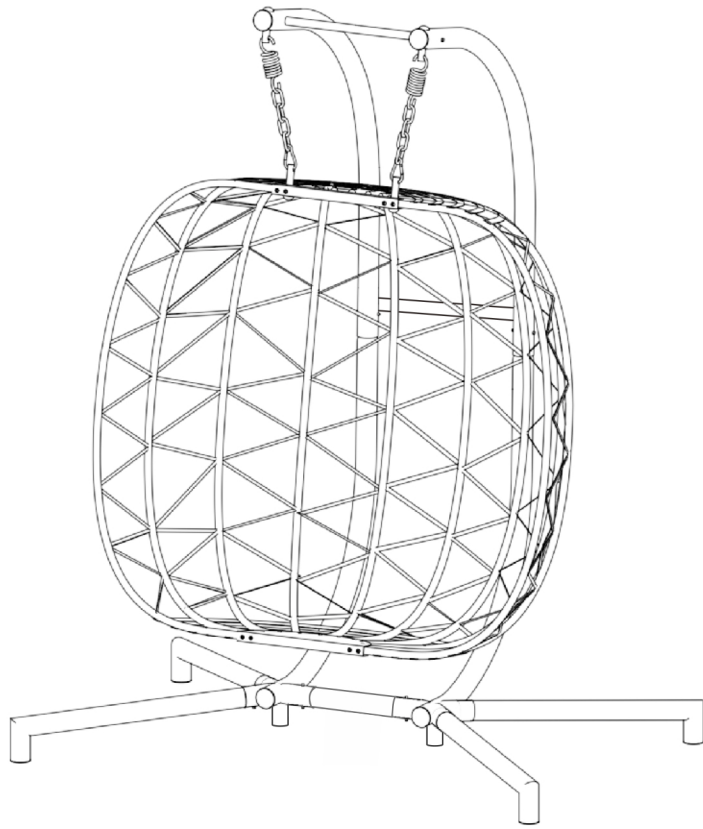
**7**



X2

X2

10



11

