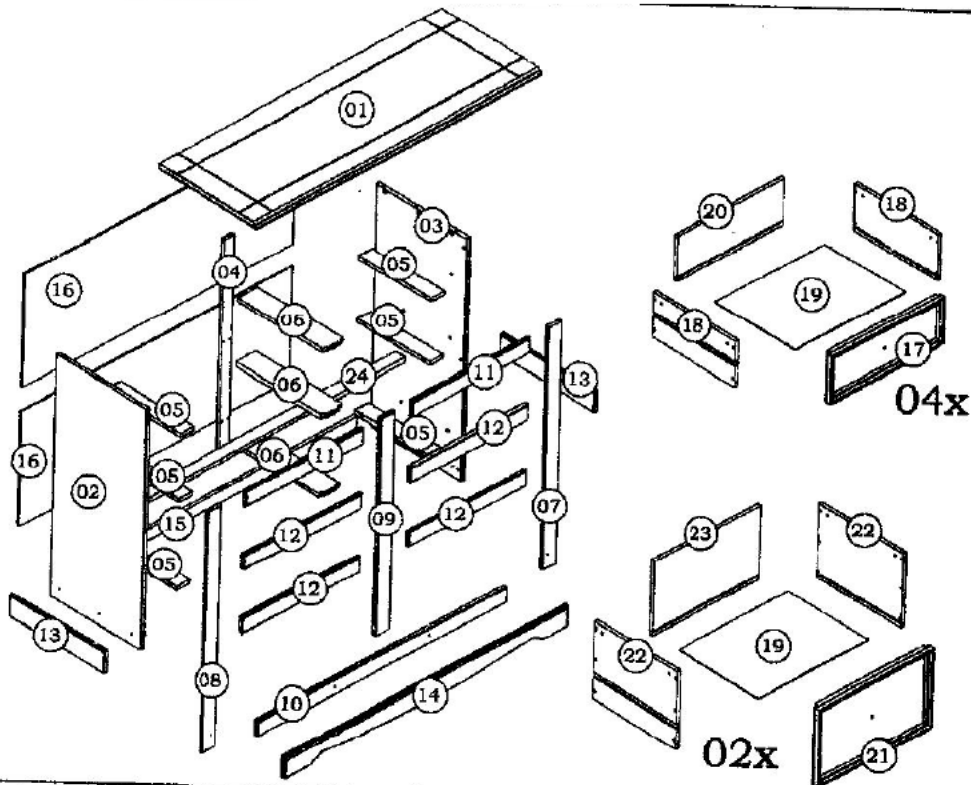




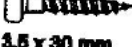



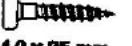


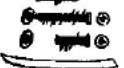



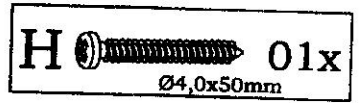
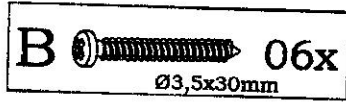
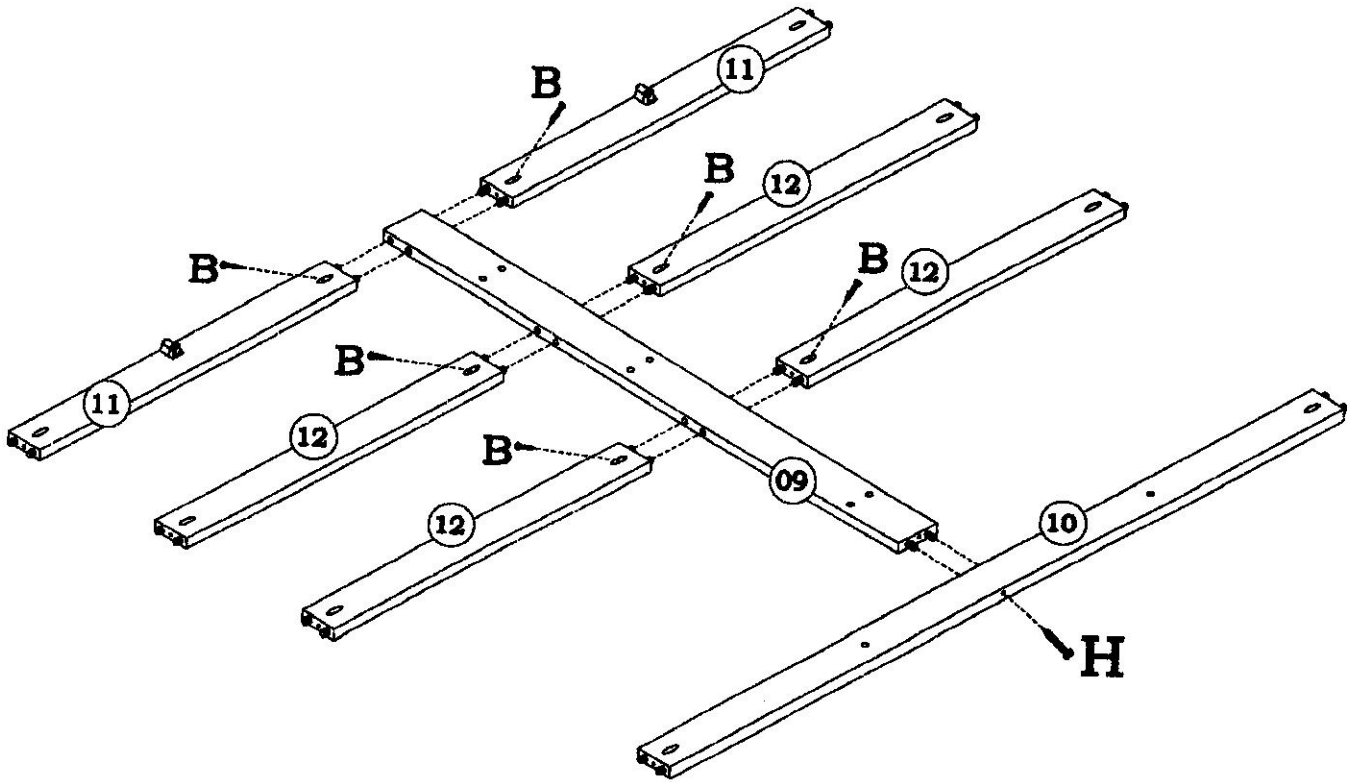
Width = 133cm  
 Depth = 48cm  
 Height = 103cm

- Please check that all fittings are correct before assembling the item.
- Replacement parts can be supplied for any damages to the item.
- Please keep all packaging until the item is assembled as we will require information from this if replacement parts are required.

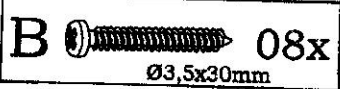
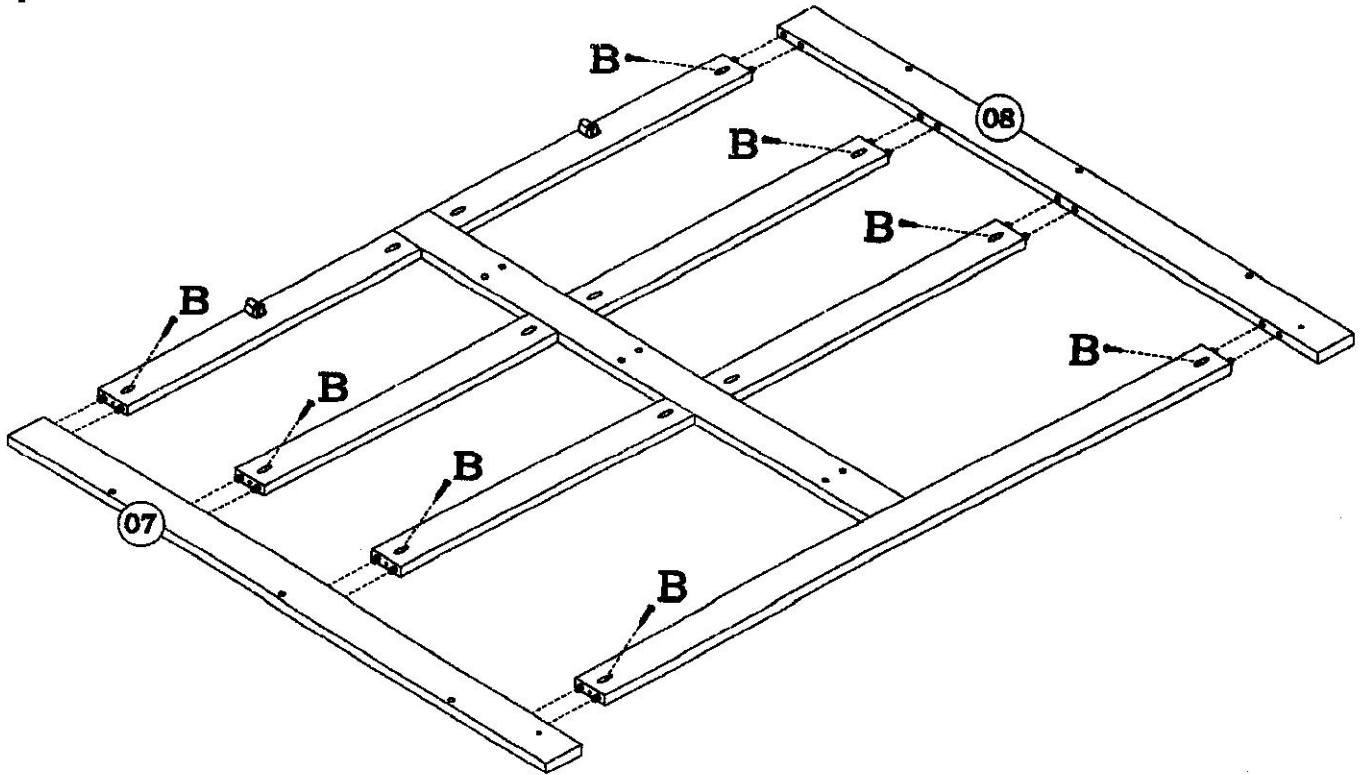


<b>A</b>  6,0 x 25 mm 78 x	<b>E</b>  06 x	<b>H</b>  4,0 x 50 mm 02 x	<b>K</b>  01 x
<b>B</b>  3,5 x 30 mm 43 x	<b>F</b>  06 x	<b>I</b>  8,0 x 35 mm 12 x	<b>L</b>  14 x
<b>C</b>  4,0 x 25 mm 24 x	<b>G</b>  10 x	<b>J</b>  3,0 x 30 mm 56 x	<b>Y</b>  01 x
<b>D</b>  8 x 6 60 x			

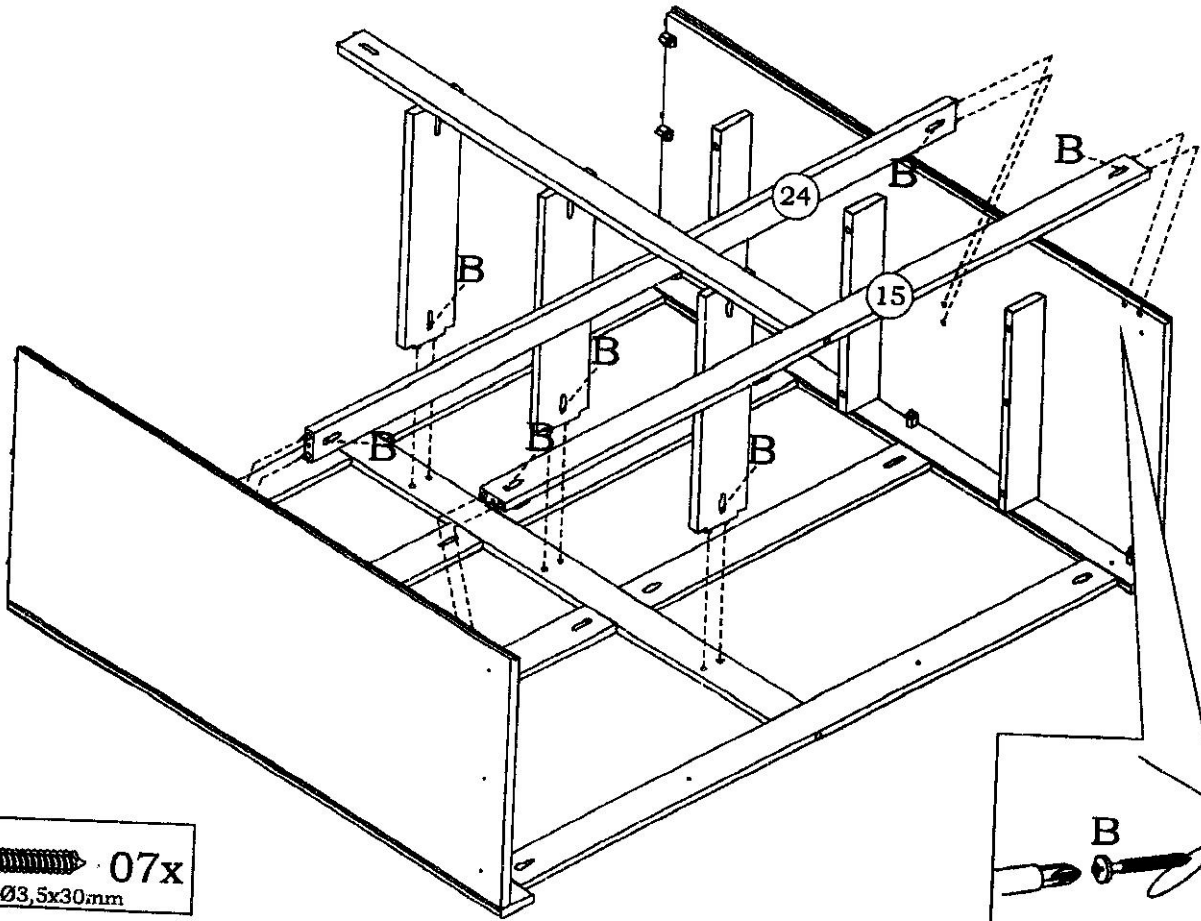
03



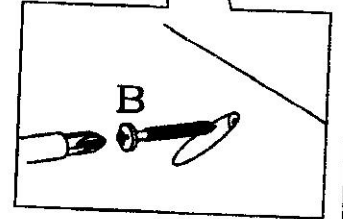
04



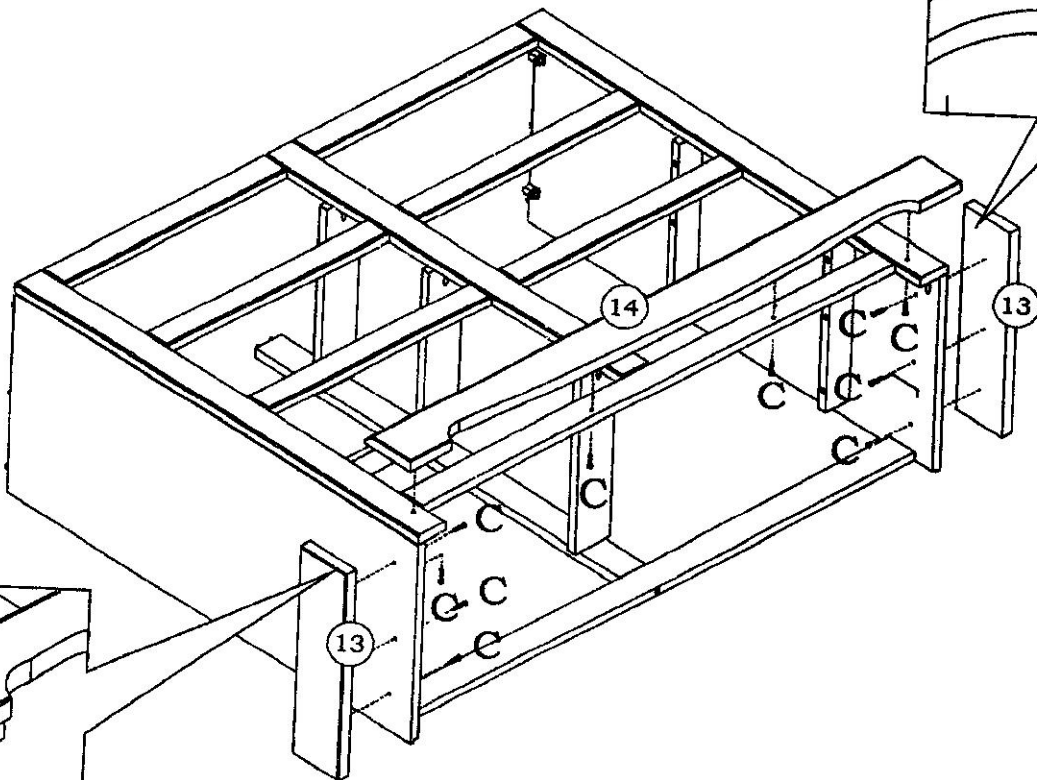
07



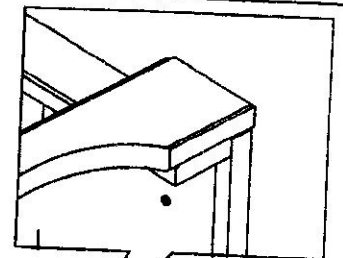
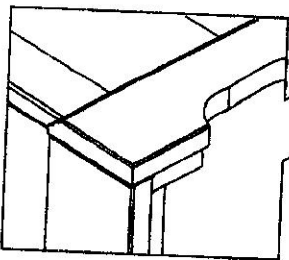
**B** 07x  
Ø3,5x30mm



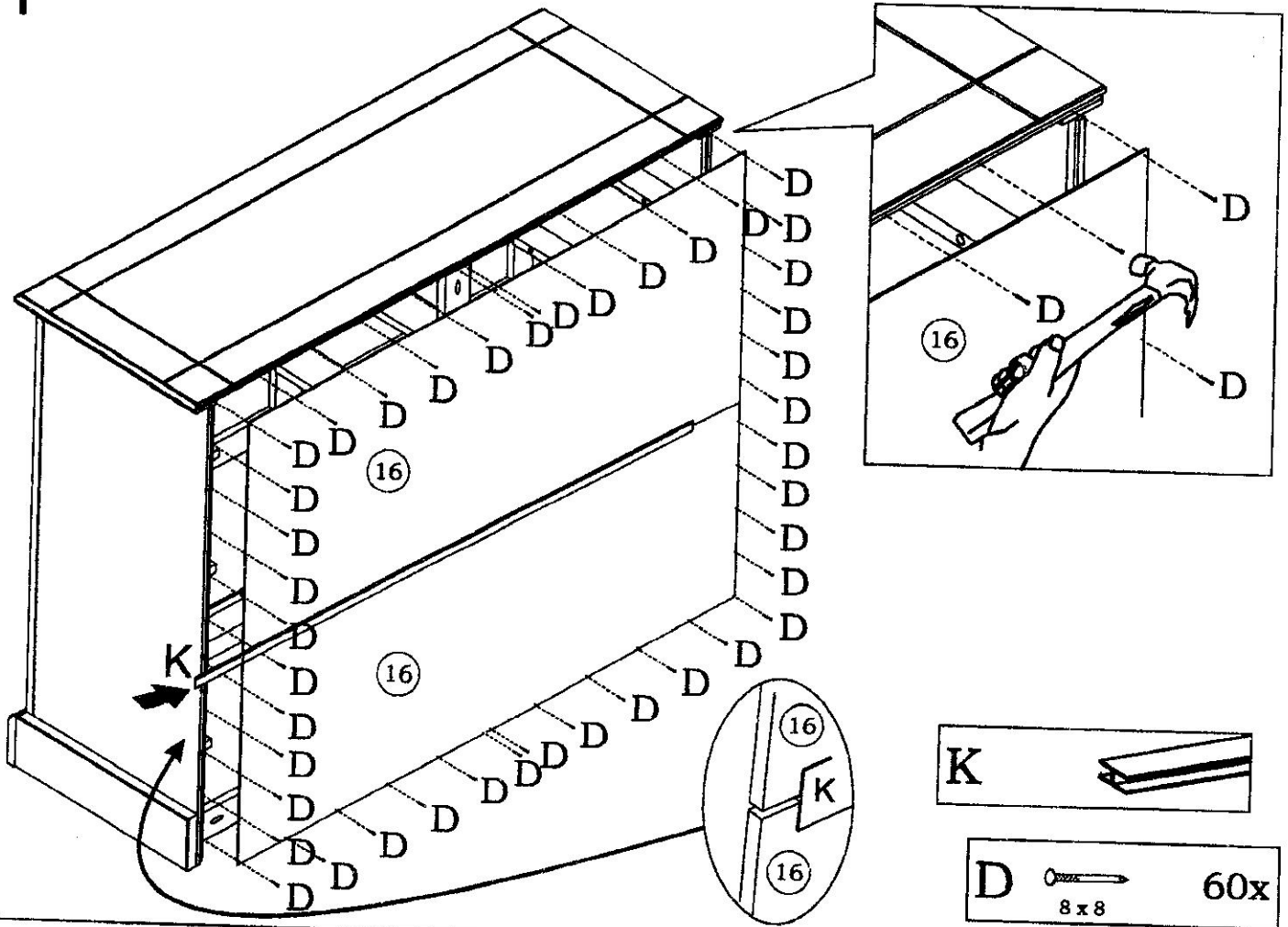
08



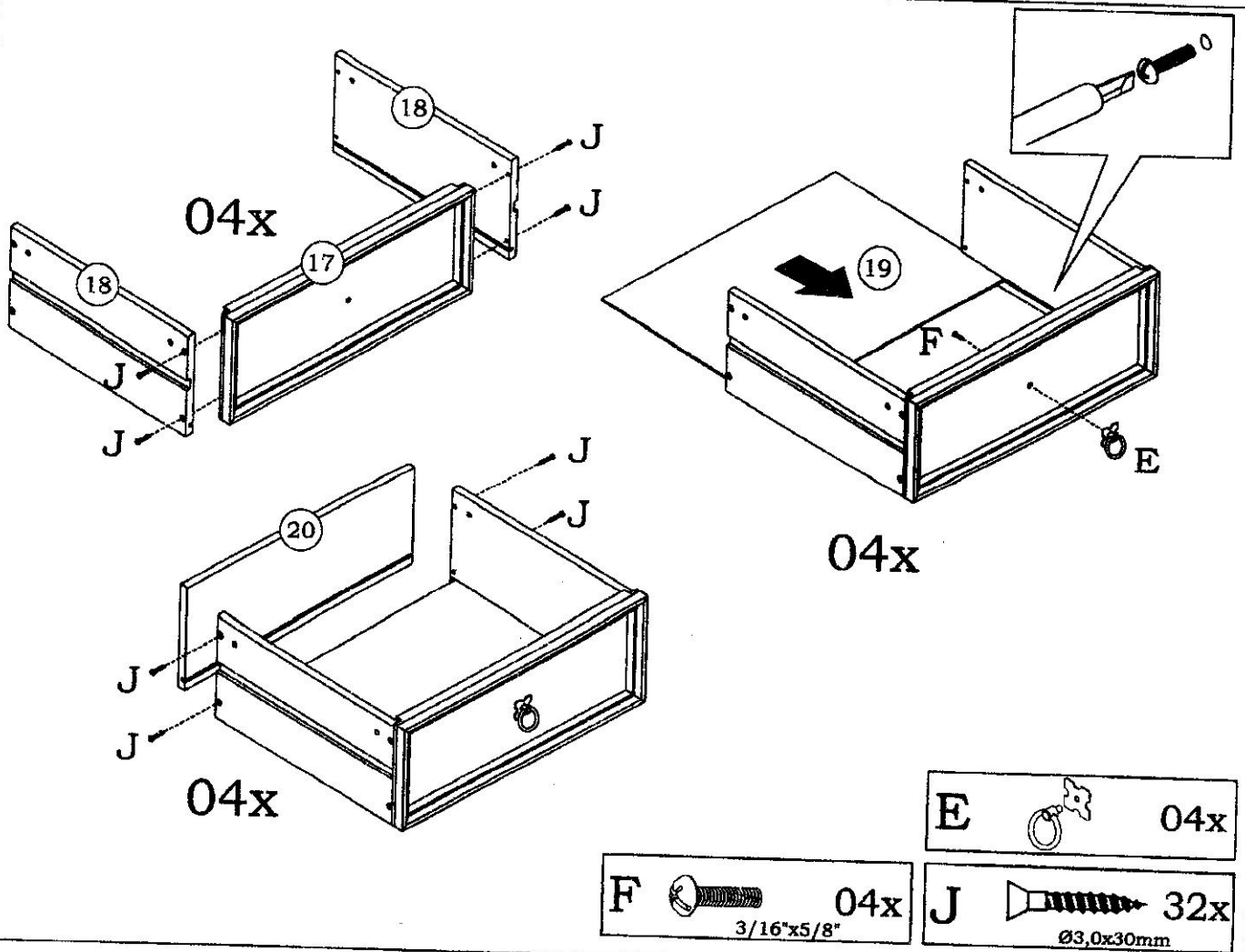
**C** 10x  
Ø4,0x25mm



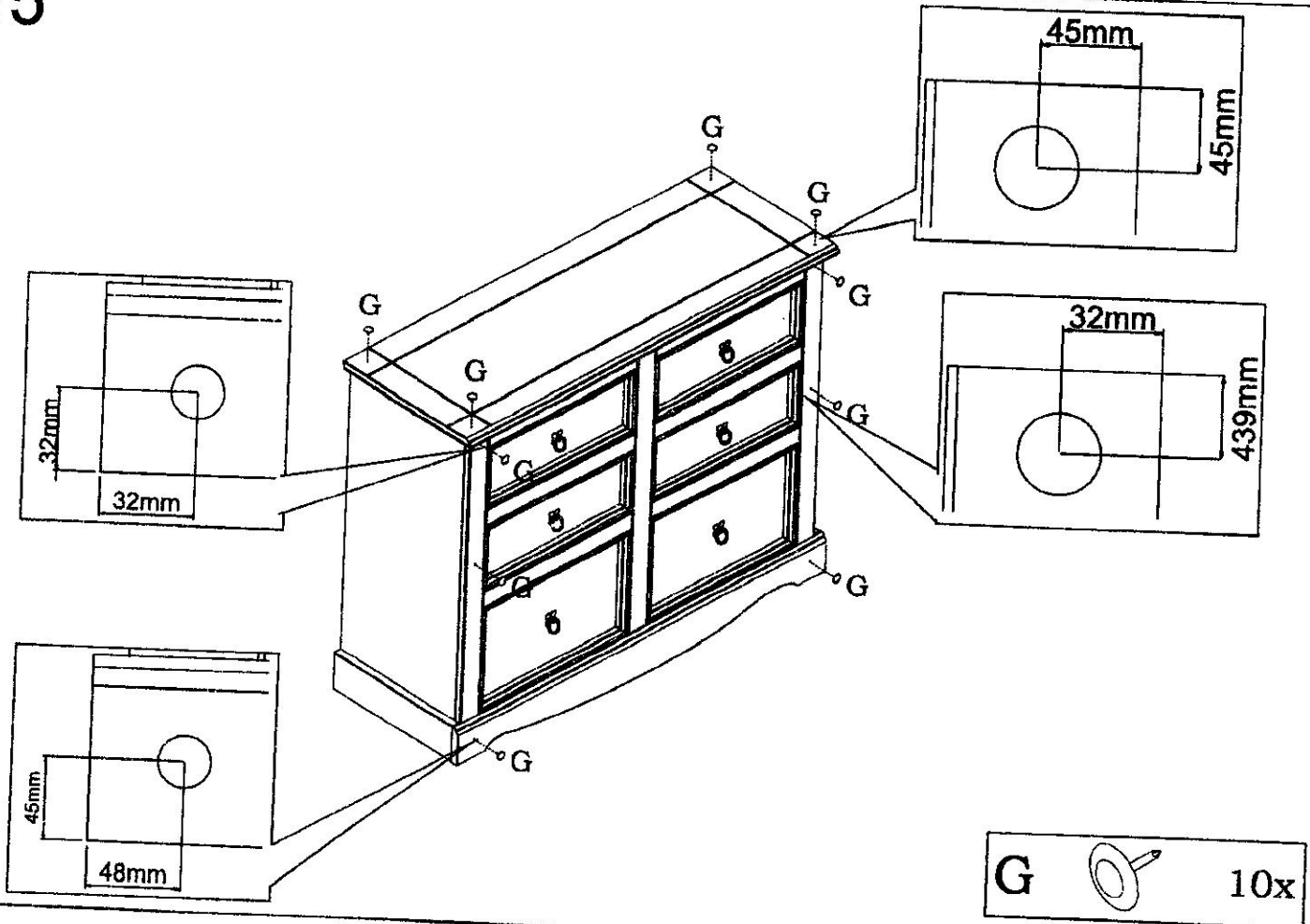
11



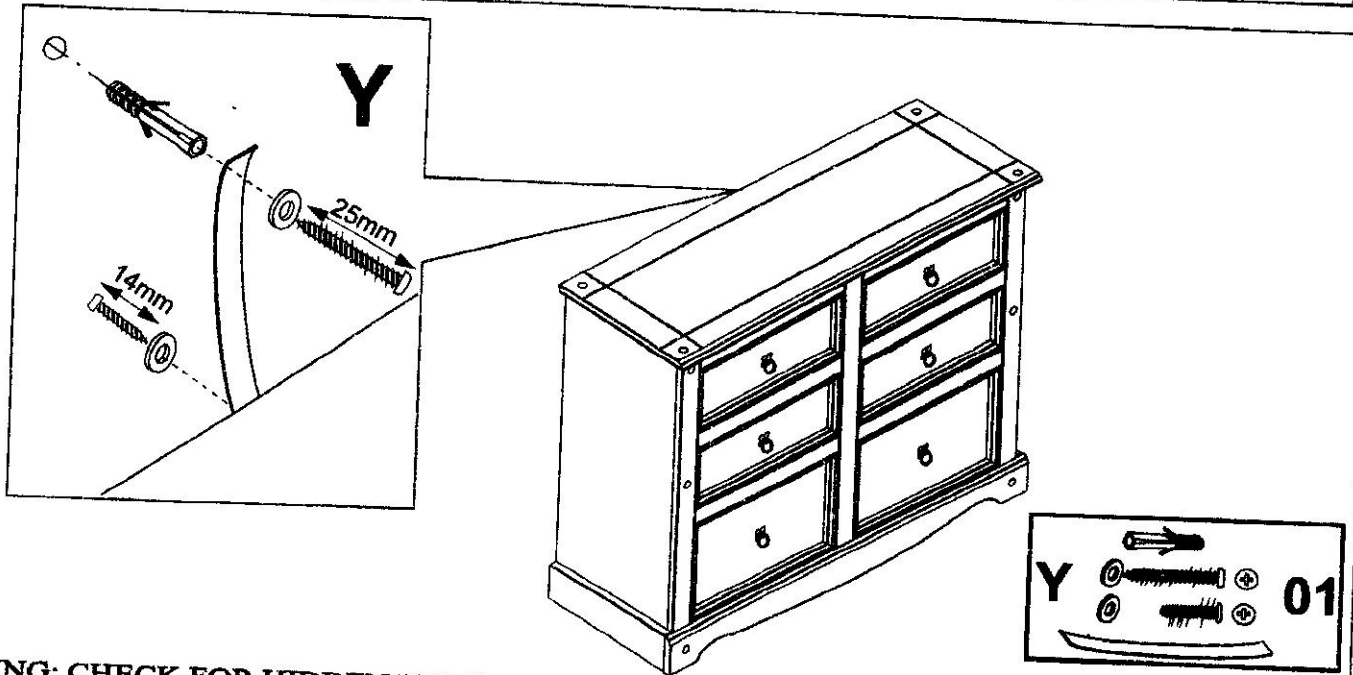
12



# 15



# 16

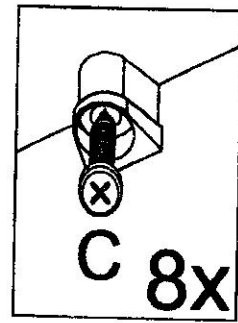
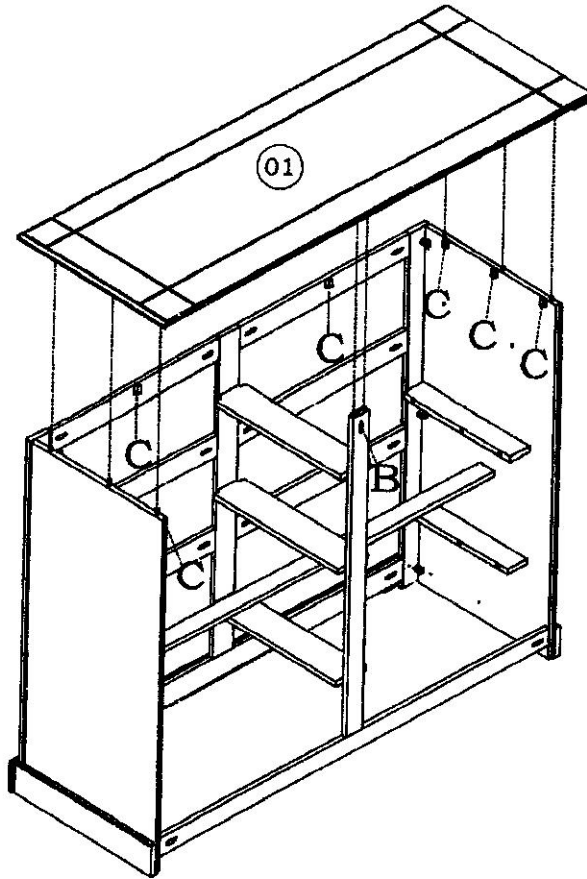


**WARNING: CHECK FOR HIDDEN PIPES AND CABLES BEFORE DRILLING.**  
**IMPORTANT: IF YOUR WALLS ARE NOT SOLID LIKE BRICK OR STONE, IT WILL REQUIRE SPECIAL FITTINGS (NOT SUPPLIED).**

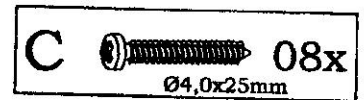
- Place the fixing strip against the wall and mark the position for drilling hole.
- Drill a hole in the wall to a depth of 30mm by using a 6mm drill bit. If the surface of your wall is soft and crumbly, we would advise you to use a 5mm drill bit for a tighter fit.
- Insert the wall plug into the hole with end flush to the wall surface.
- Attach fixing strip to the wall using the 25mm screw + washer and securely tighten.
- Pre-drill small pilot hole on the back edge of the furniture top using a 2mm drill bit. Attach the other end edge of the furniture top using the 14mm screw + washer and securely tighten.



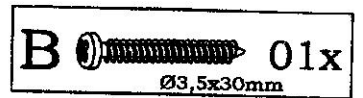
09



C 8x

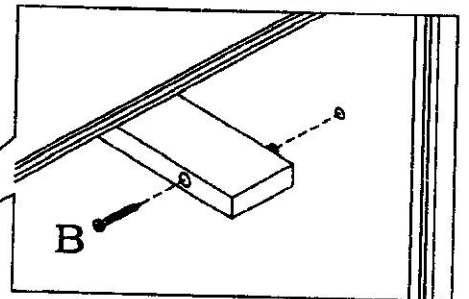
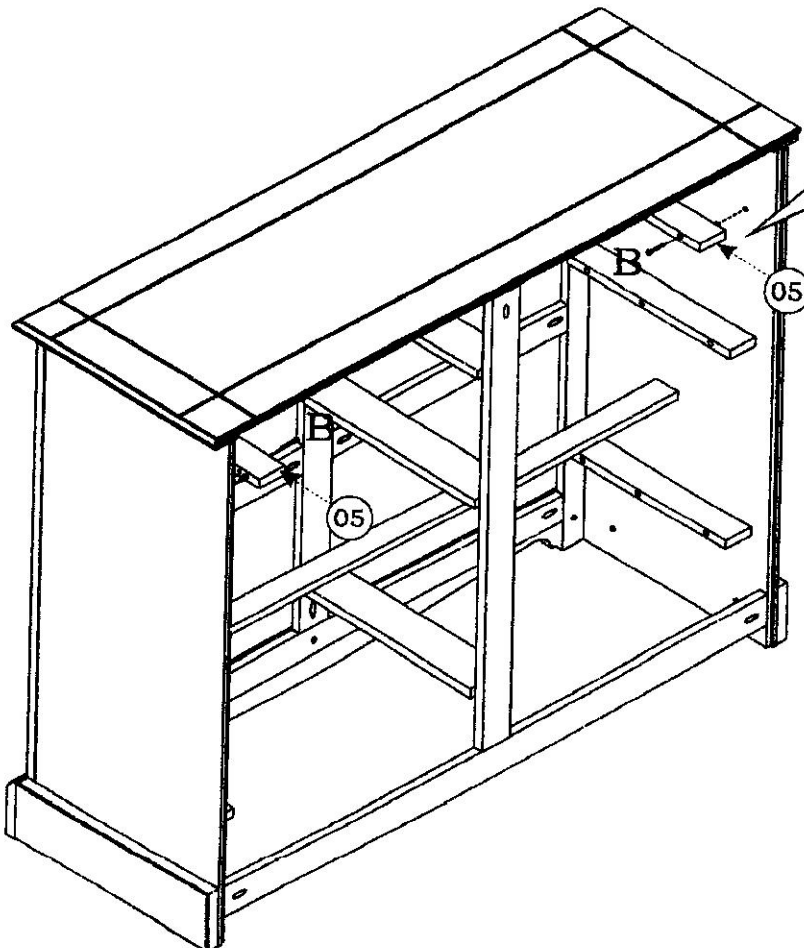


C 08x  
Ø4,0x25mm

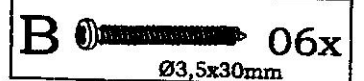


B 01x  
Ø3,5x30mm

10

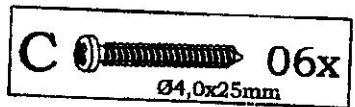
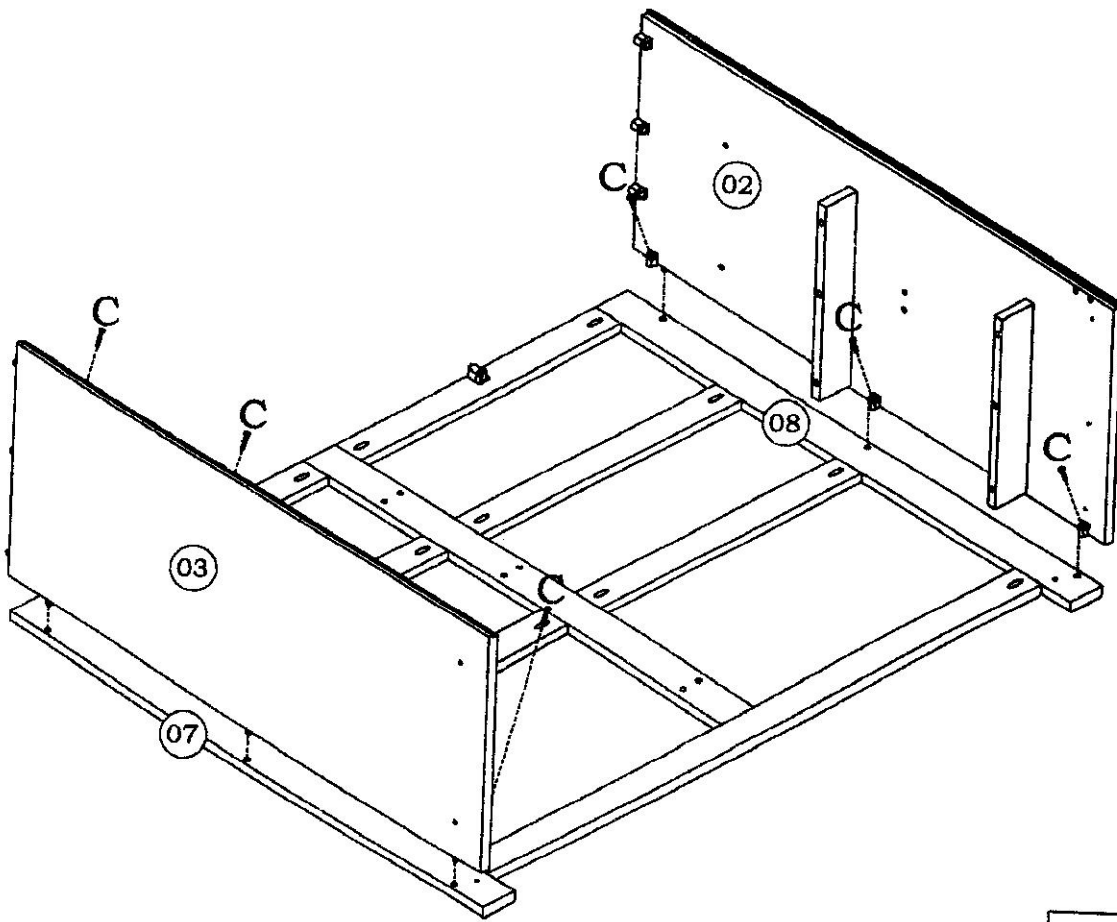


B

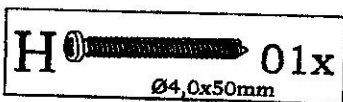
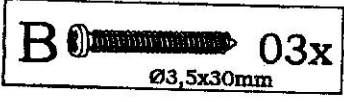
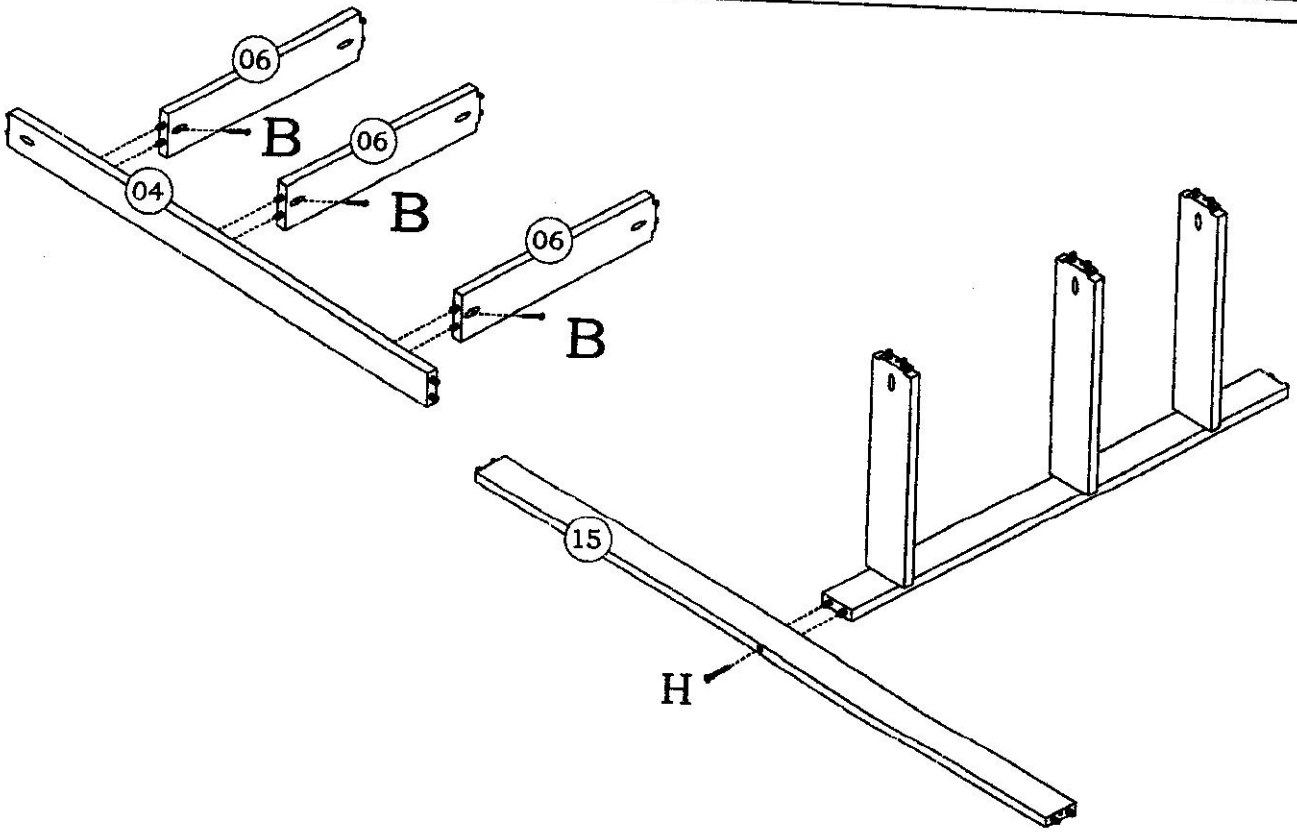


B 06x  
Ø3,5x30mm

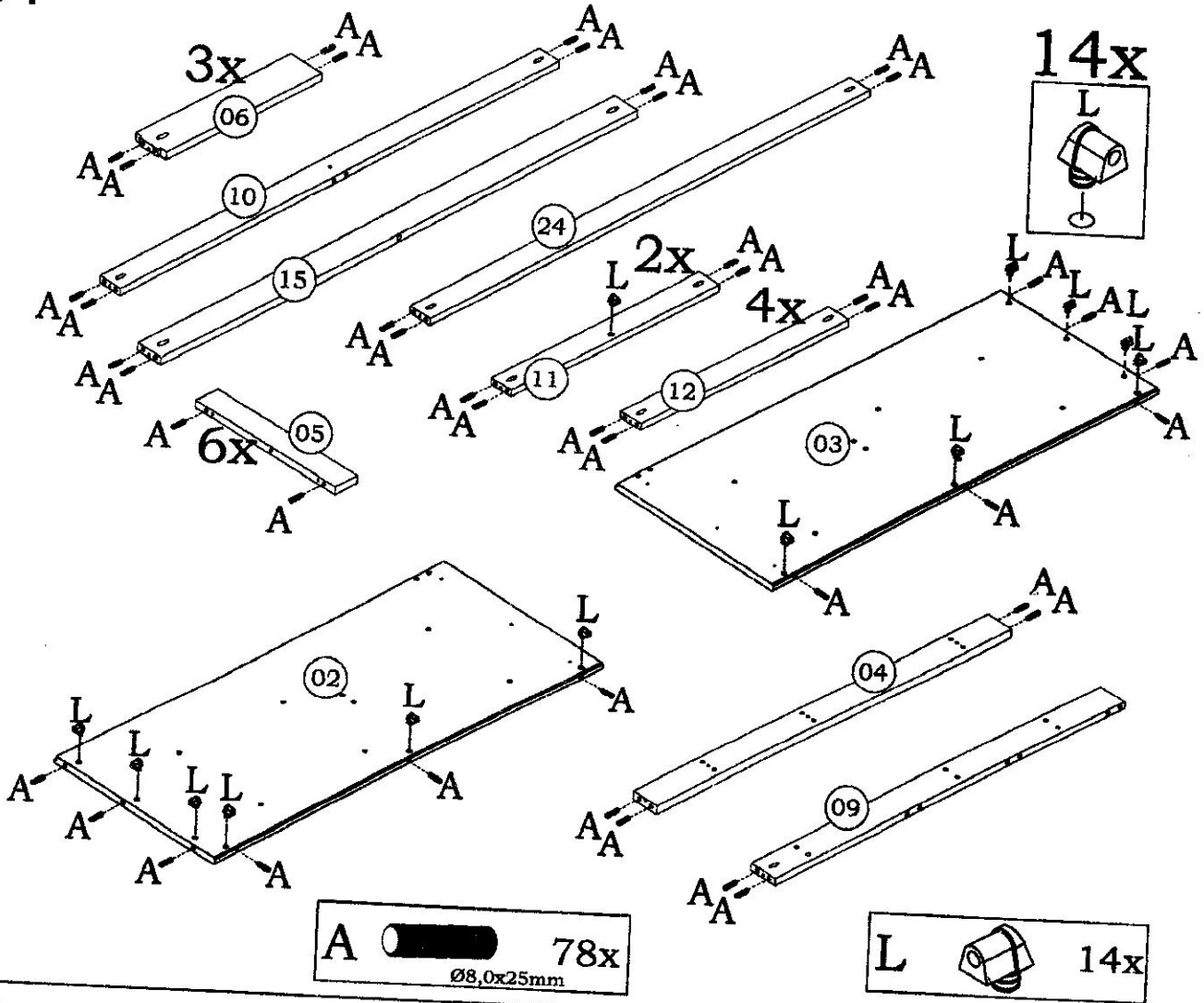
05



06



01



02

