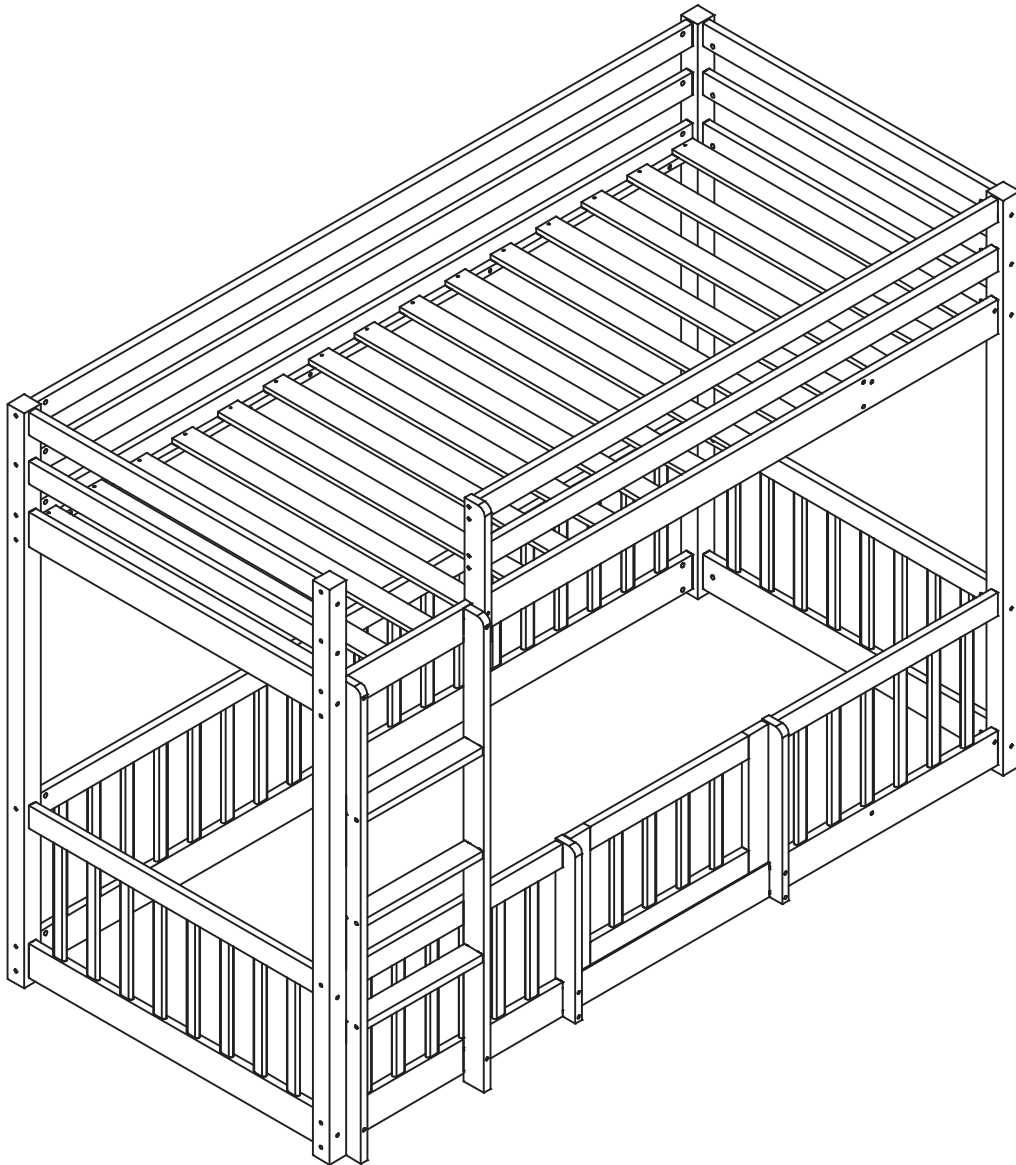


ASSEMBLY INSTRUCTIONS

Inner size:90*190cm

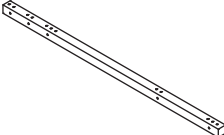
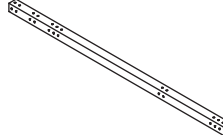
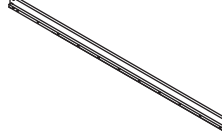
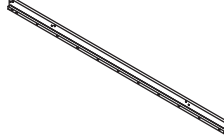
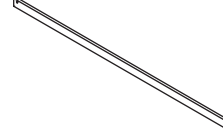
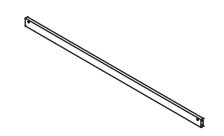
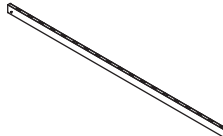


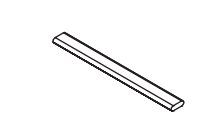
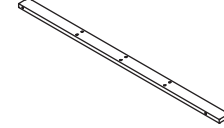
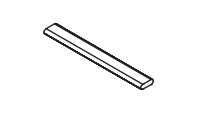


INSTRUCTIONS

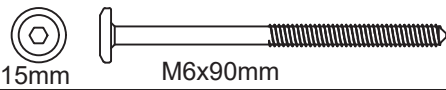
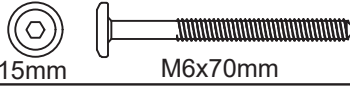

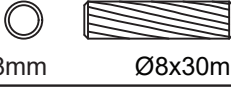
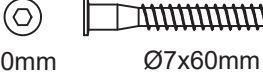


IMPORTANT-READ CAREFULLY-RETAIN FOR FUTURE REFERENCE



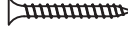
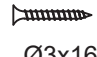


- a) **WARNING** -High beds and the upper bed of bunk beds are not suitable for children under six years due to the risk of injury from falls;
- b) **WARNING**-Bunk beds and high beds can present a serious risk of injury from strangulation if not used correctly. Never attach or hang items to any part of the bunk bed that are not designed to be used with the bed, for example, but not limited to ropes, strings, cords, hooks, belts and bags.
- c) **WARNING**-Children can become trapped between the bed and the wall, a roof pitch, the ceiling adjoining pieces of furniture (e.g. cupboards) and the like. To avoid risk of serious injury the distance between the top safety barrier and the adjoining structure shall not exceed 75 mm or shall be more than 230 mm.
- d) **WARNING**-Do not use the bunk bed/high bed if any structural part is broken or missing; Replacement parts are between requested from the manufacturer or the store.
- e) it is imperative to always follow the installation instructions and manufacturer's use.
- f) The recommended size of the mattress to be used with the bed is 90cmx190cm, maximum thickness mattress: 13cm.
- g) It is necessary to ventilate the room in order to maintain a low level moisture and prevent mold growth in the bed and its periphery.
- h) Joining devices should always be tightened properly and regularly verified. Tighten if necessary.

WF311442

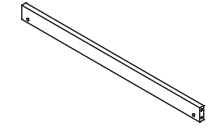
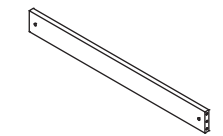
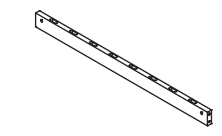
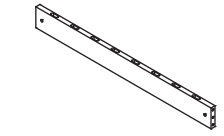
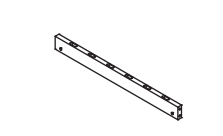
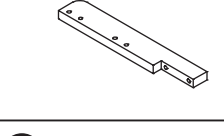
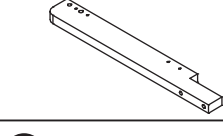
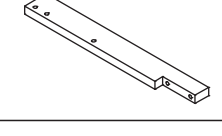
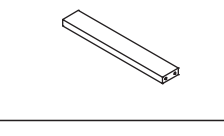
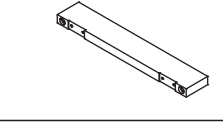
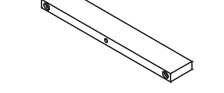
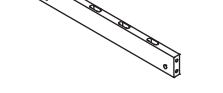

| | | | | |
|---|---|---|--|--|
| 01 x2  | 02 x2  | 03 x1  | 04 x1  | 05 x2  |
| 06 x2  | 07 x1  | 08 x1  | 09 x1  | 15 x44  |
| 19 x2  | 24 x4  | | | |

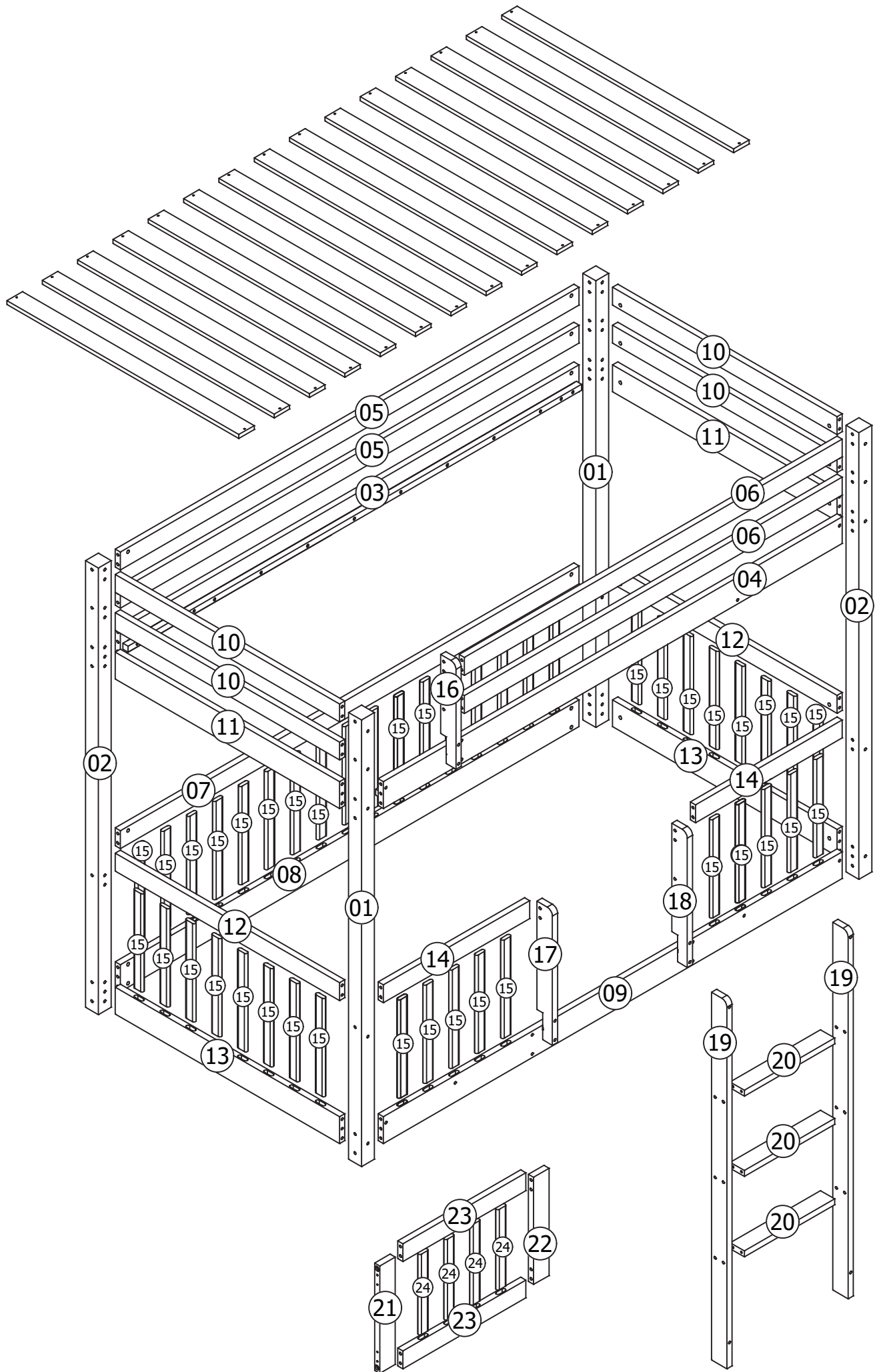
Hardware-Liste

| | | |
|----------|---|-----------|
| A |  15mm M6x90mm | 50 |
| B |  15mm M6x70mm | 08 |
| C |  Ø10.5x16mm | 54 |
| D |  8mm Ø8x30mm | 54 |
| E |  10mm Ø7x60mm | 12 |
| F |  43.5x31.5mm | 02 |
| G |  15mm M6x50mm | 06 |

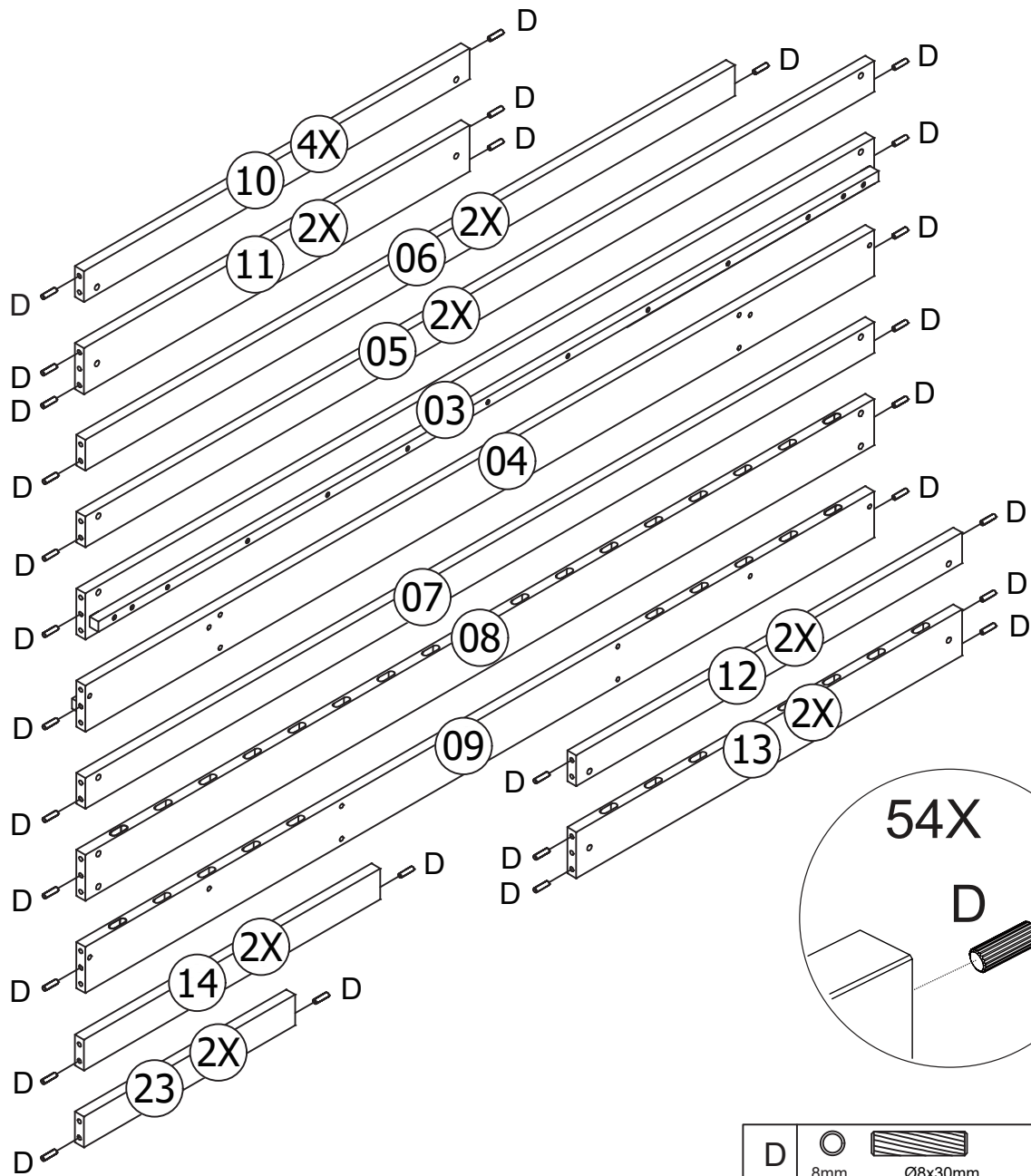
| | | |
|----------|--|-----------|
| H |  15mm M8x20mm | 10 |
| I |  | 01 |
| J |  8mm Ø4x30mm | 30 |
| K |  6mm Ø3x16mm | 10 |
| L |  4mm | 02 |
| M |  Ø8mm | 14 |

WF311443

| | | | | |
|---|---|---|--|---|
| 10 x4  | 11 x2  | 12 x2  | 13 x2  | 14 x2  |
| 16 x1  | 17 x1  | 18 x1  | 20 x3  | 21 x1  |
| 22 x1  | 23 x2  | Slats x15  | | |

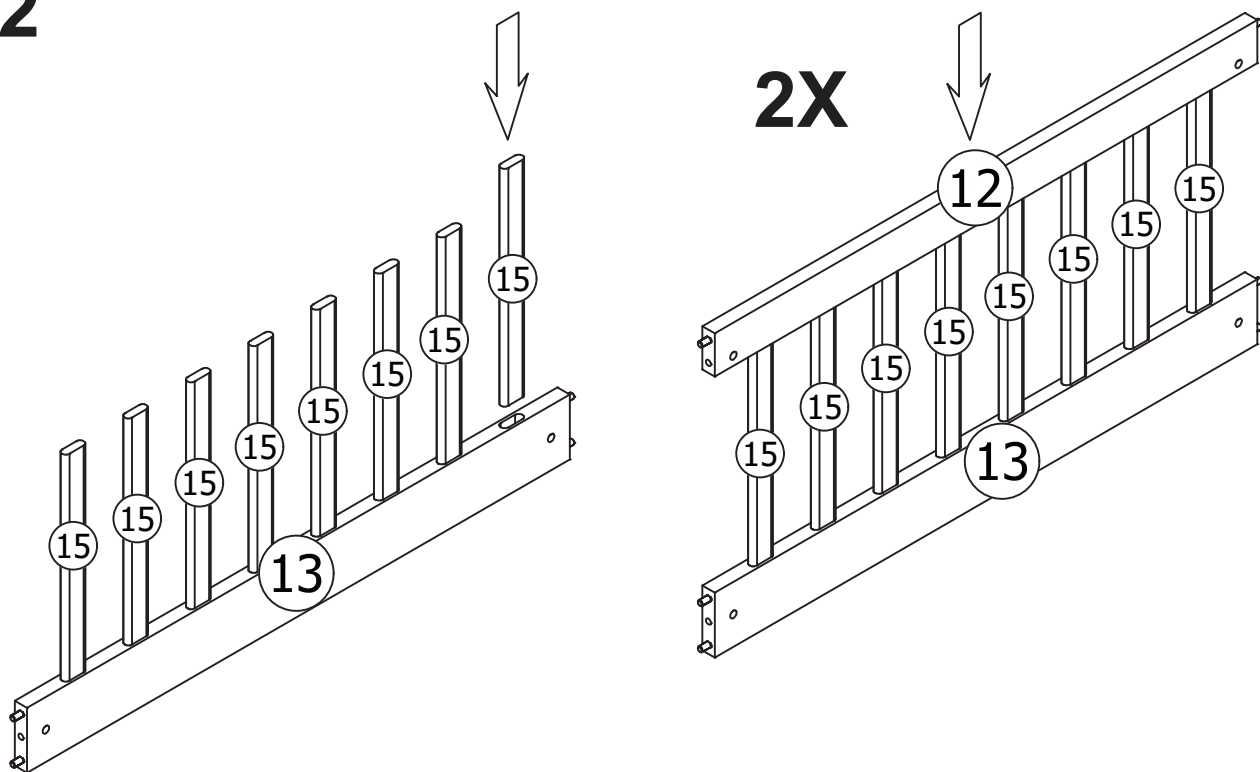


01

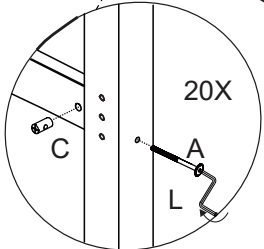
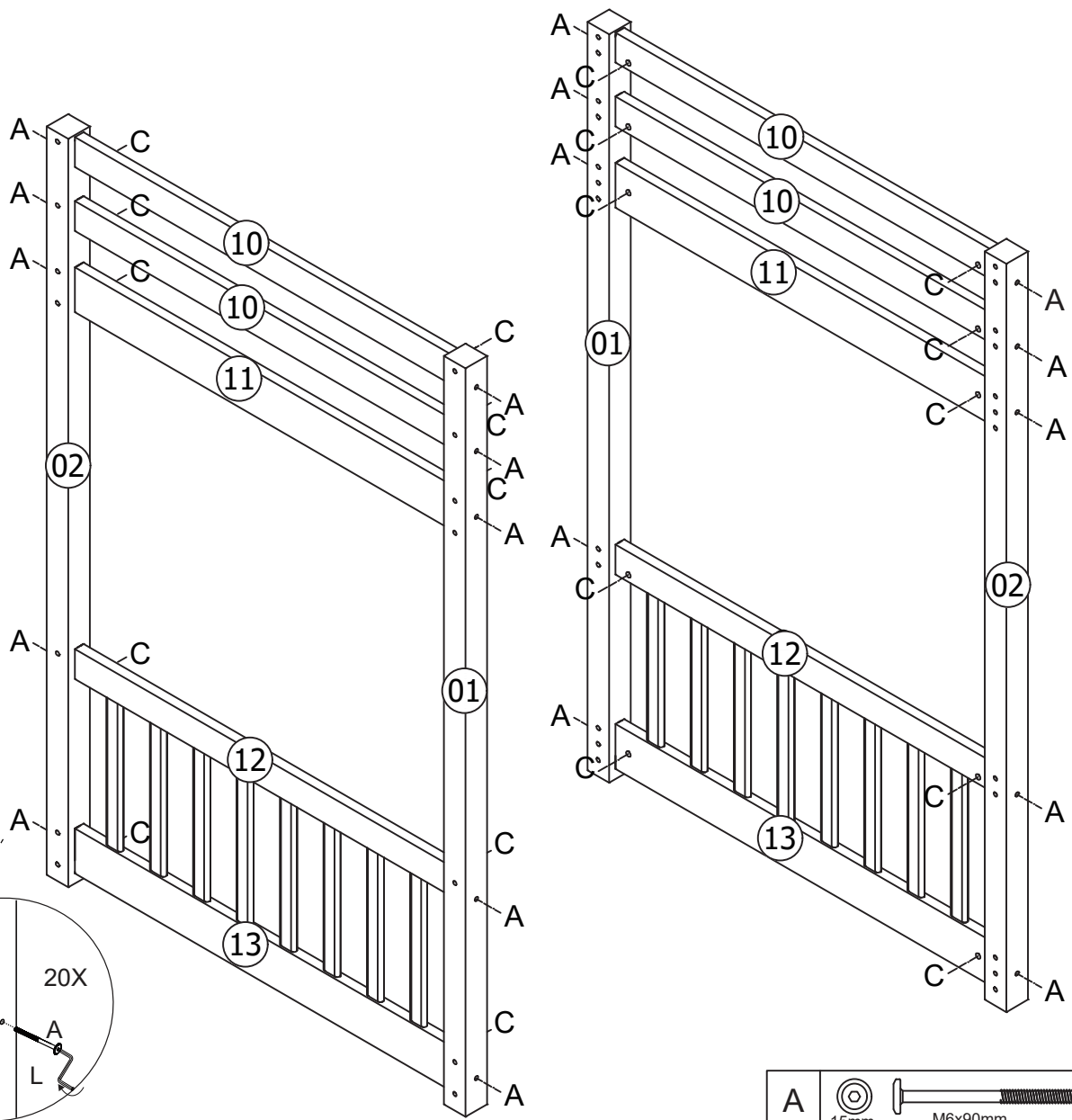


| | | | |
|---|-----|---------|----|
| D | 8mm | Ø8x30mm | 54 |
|---|-----|---------|----|



02



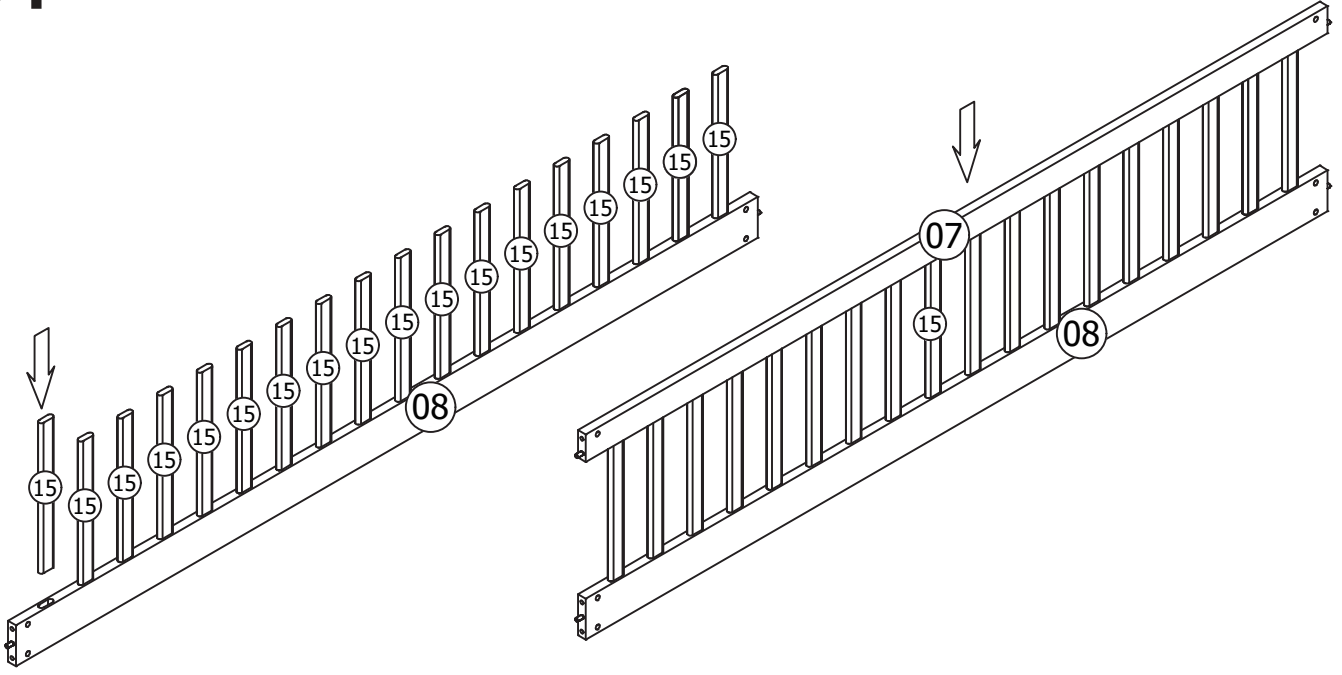
03



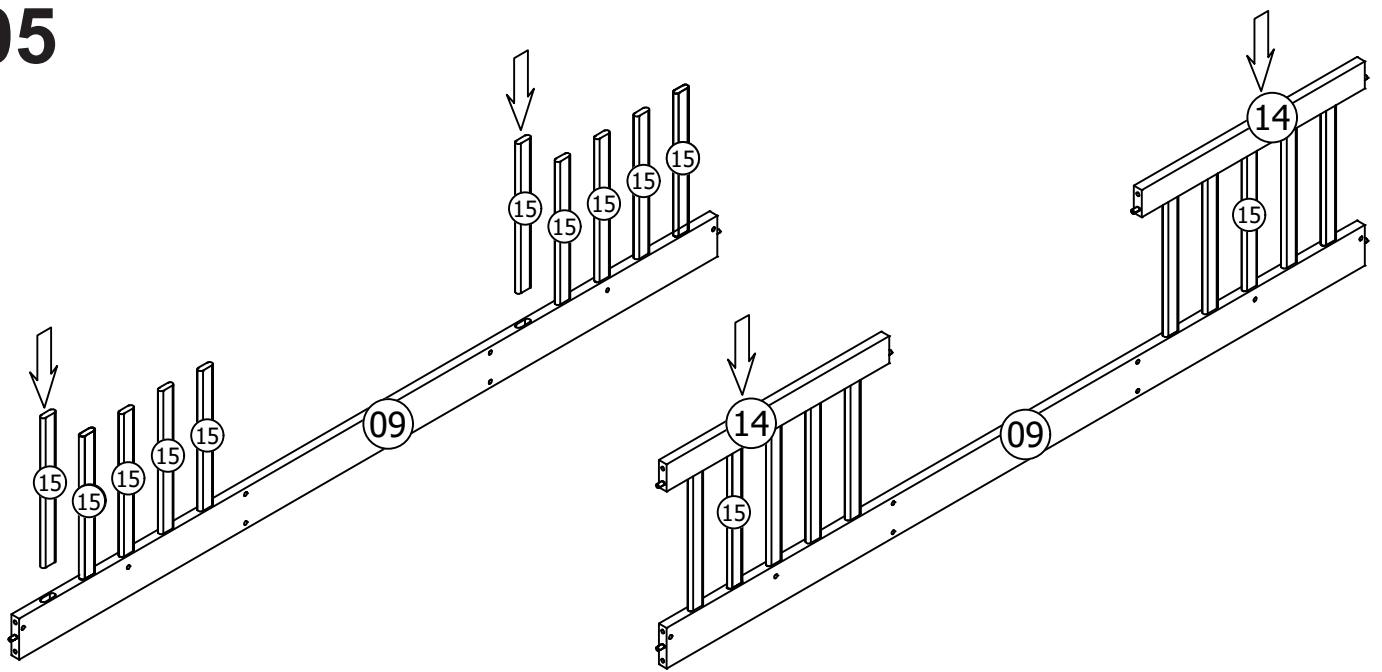
| | | | |
|---|---|-----|----|
| L |  | 4mm | 01 |
|---|---|-----|----|

| | | | |
|---|---|--------------|----|
| A |  | 15mm M6x90mm | 20 |
| C |  | Ø10.5x16mm | 20 |

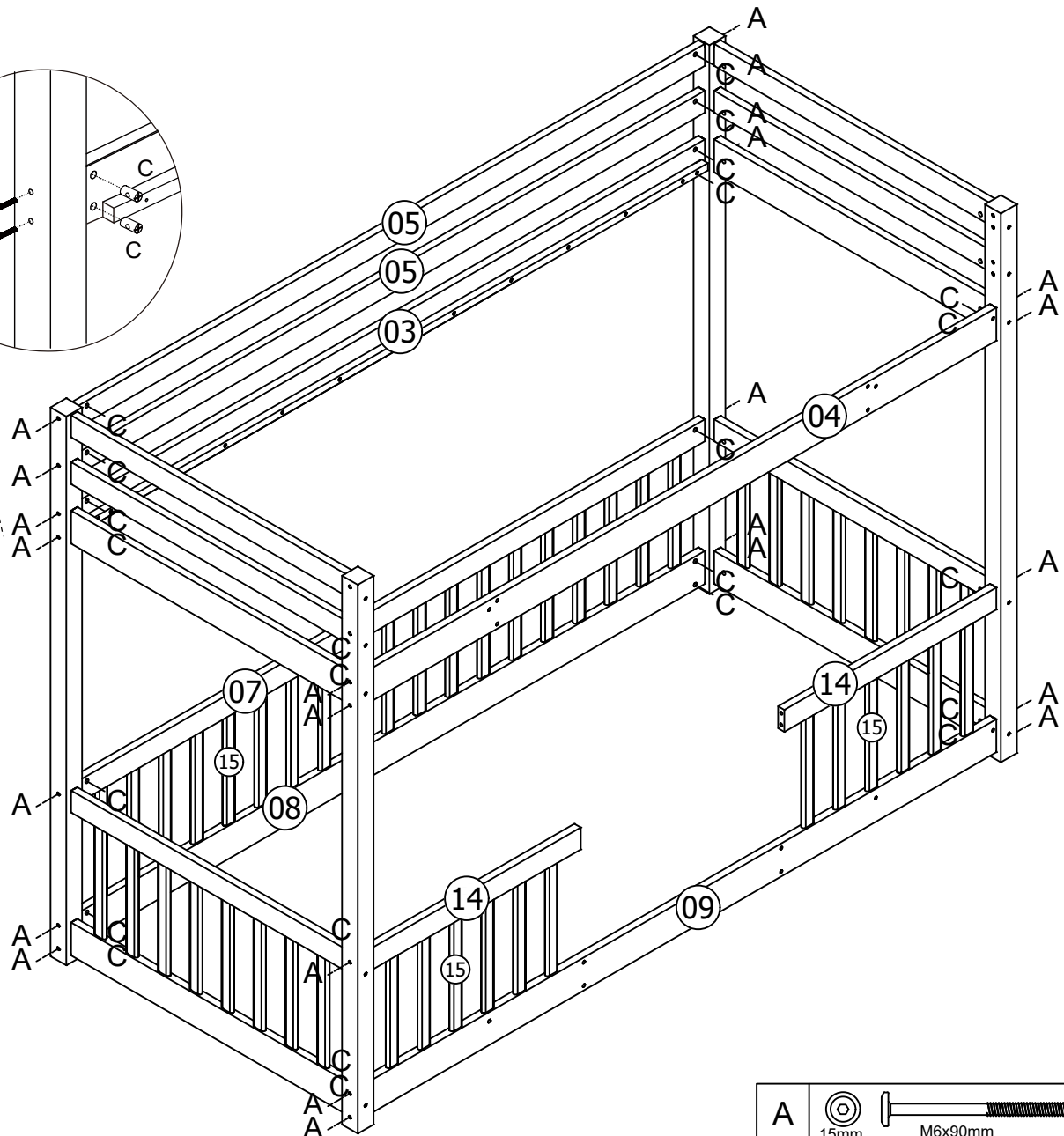
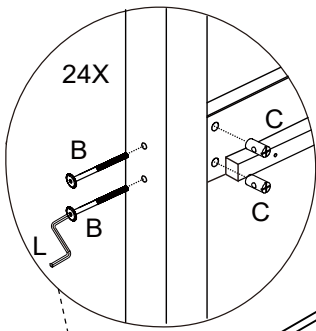
04






05



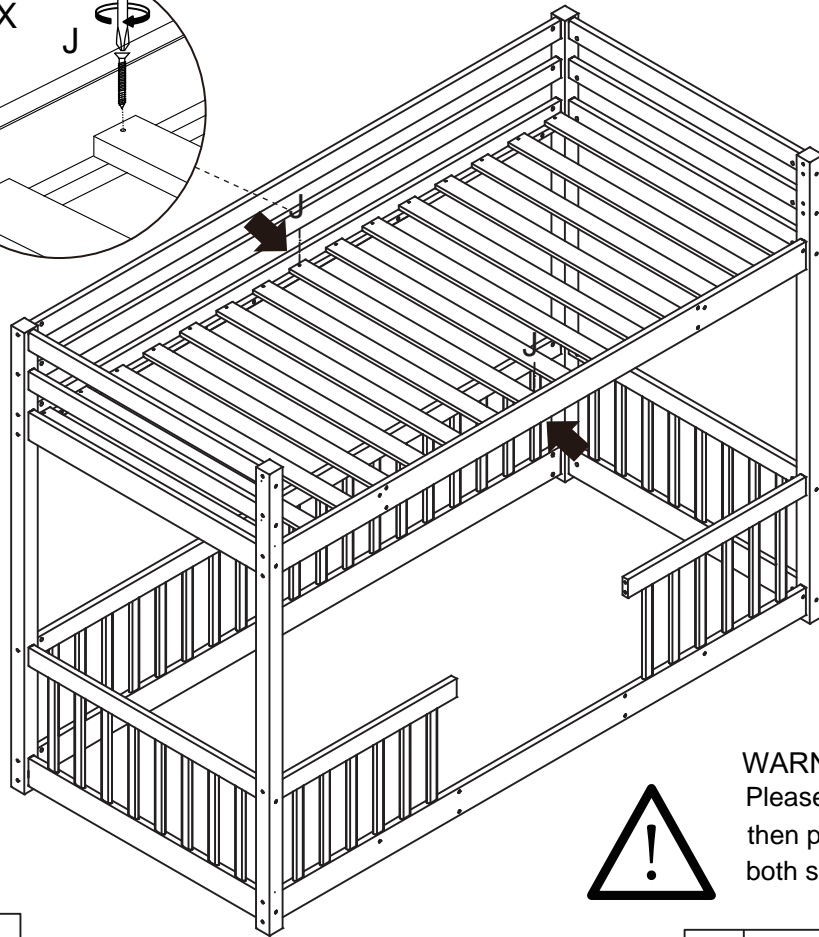
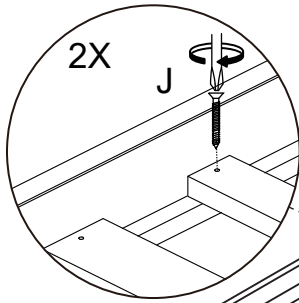
06



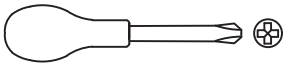
| | | | |
|---|---|-----|----|
| L |  | 4mm | 01 |
|---|---|-----|----|

| | | | | |
|---|---|------|------------|----|
| A |  | 15mm | M6x90mm | 24 |
| C |  | | Ø10.5x16mm | 24 |

07



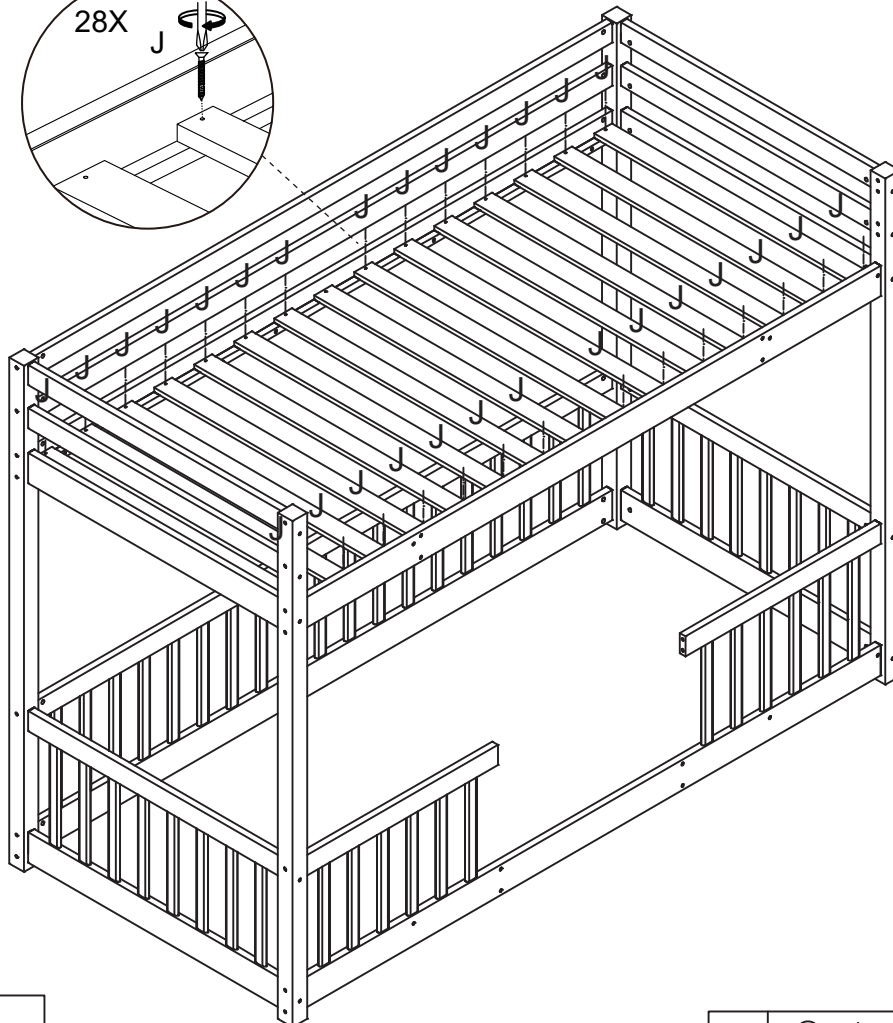
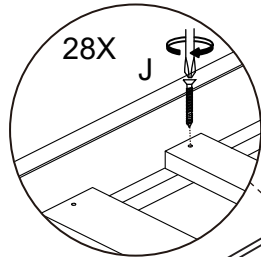
WARNING:
Please tighten the screws,
then press the boards on
both sides of the bed



J  8mm  Ø4x30mm

02

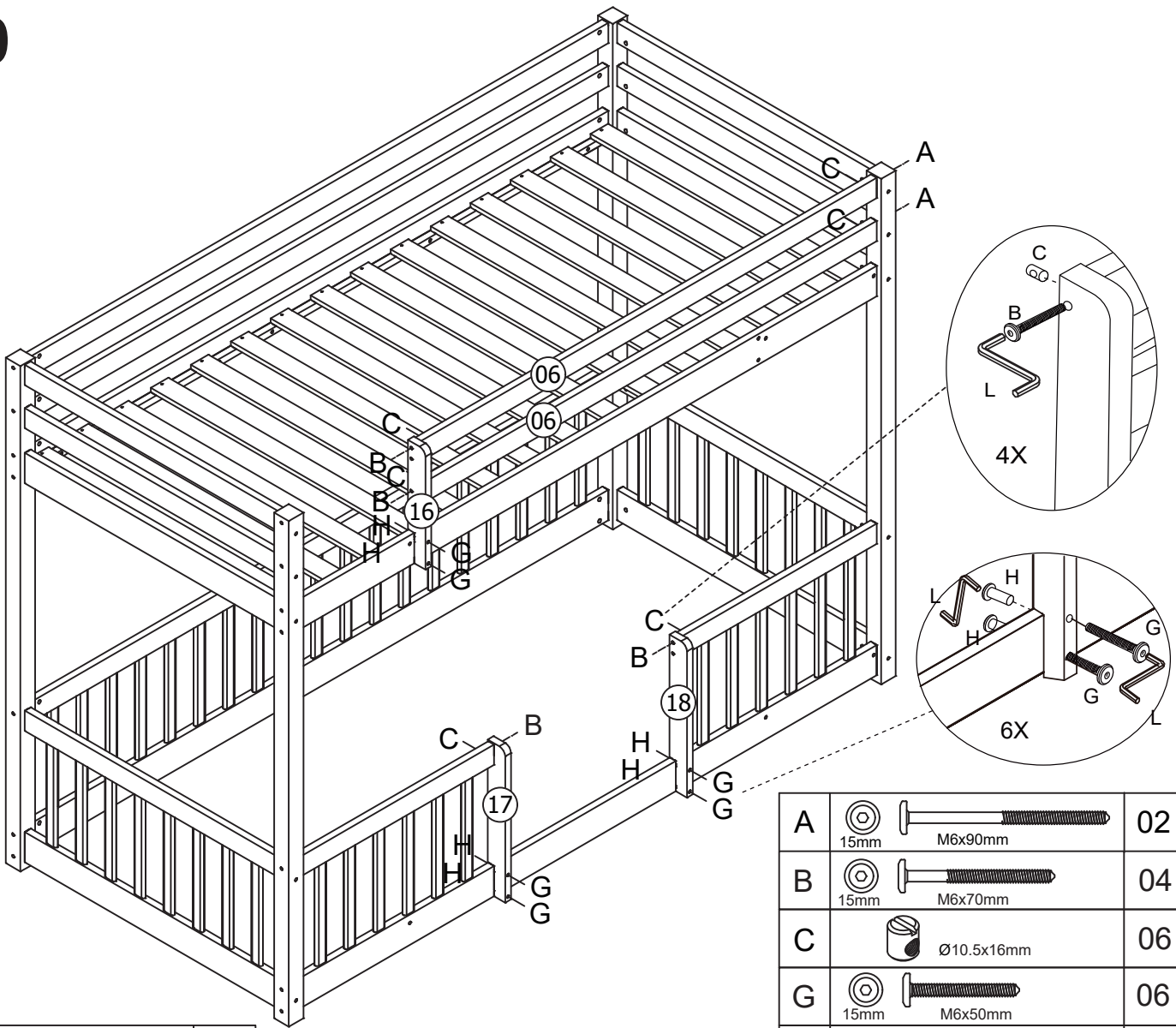
08



J  8mm  Ø4x30mm

28

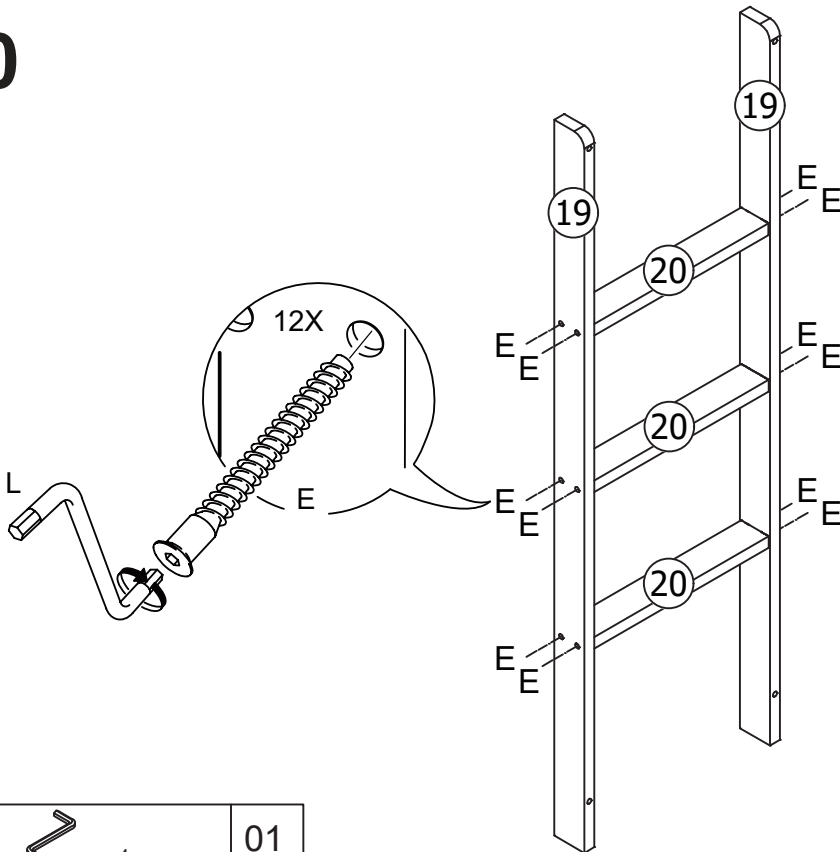
09



| | | | |
|---|------|------------|----|
| A | 15mm | M6x90mm | 02 |
| B | 15mm | M6x70mm | 04 |
| C | | Ø10.5x16mm | 06 |
| G | 15mm | M6x50mm | 06 |
| H | 15mm | M8x20mm | 06 |

| | | | |
|---|--|-----|----|
| L | | 4mm | 02 |
|---|--|-----|----|

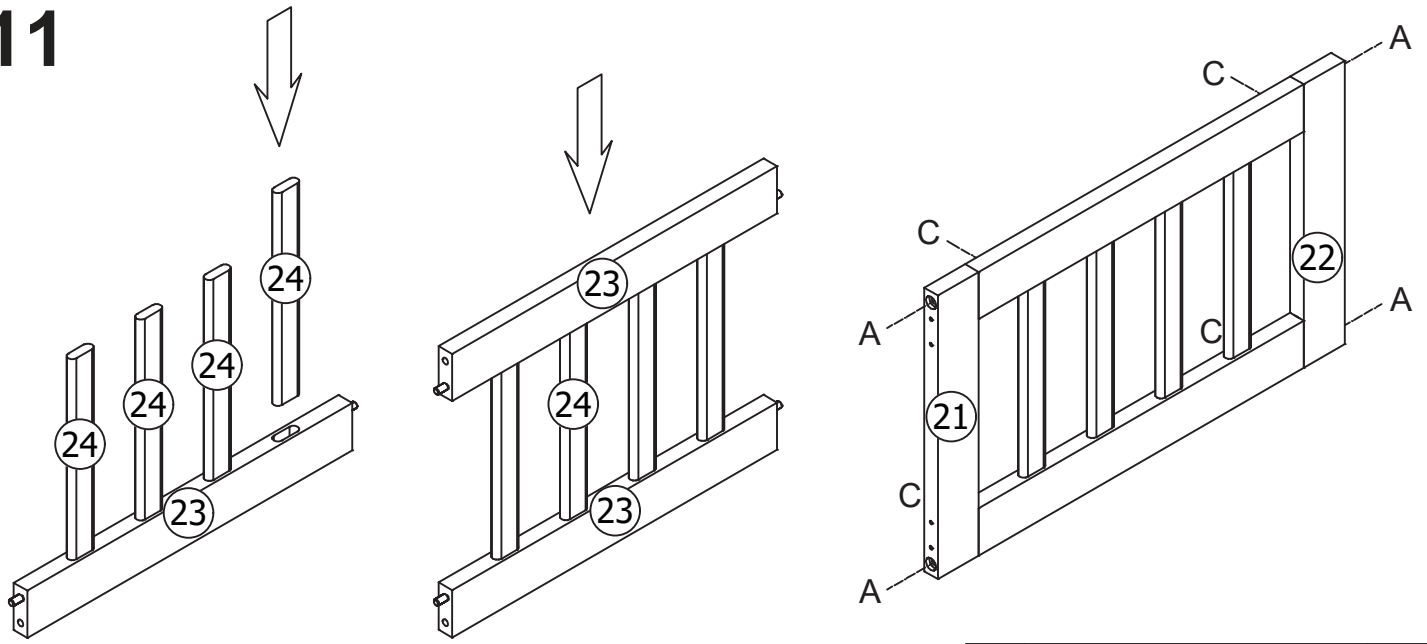
10






| | | | |
|---|--|-----|----|
| L | | 4mm | 01 |
|---|--|-----|----|

| | | | |
|---|------|---------|----|
| E | 10mm | Ø7x60mm | 12 |
|---|------|---------|----|

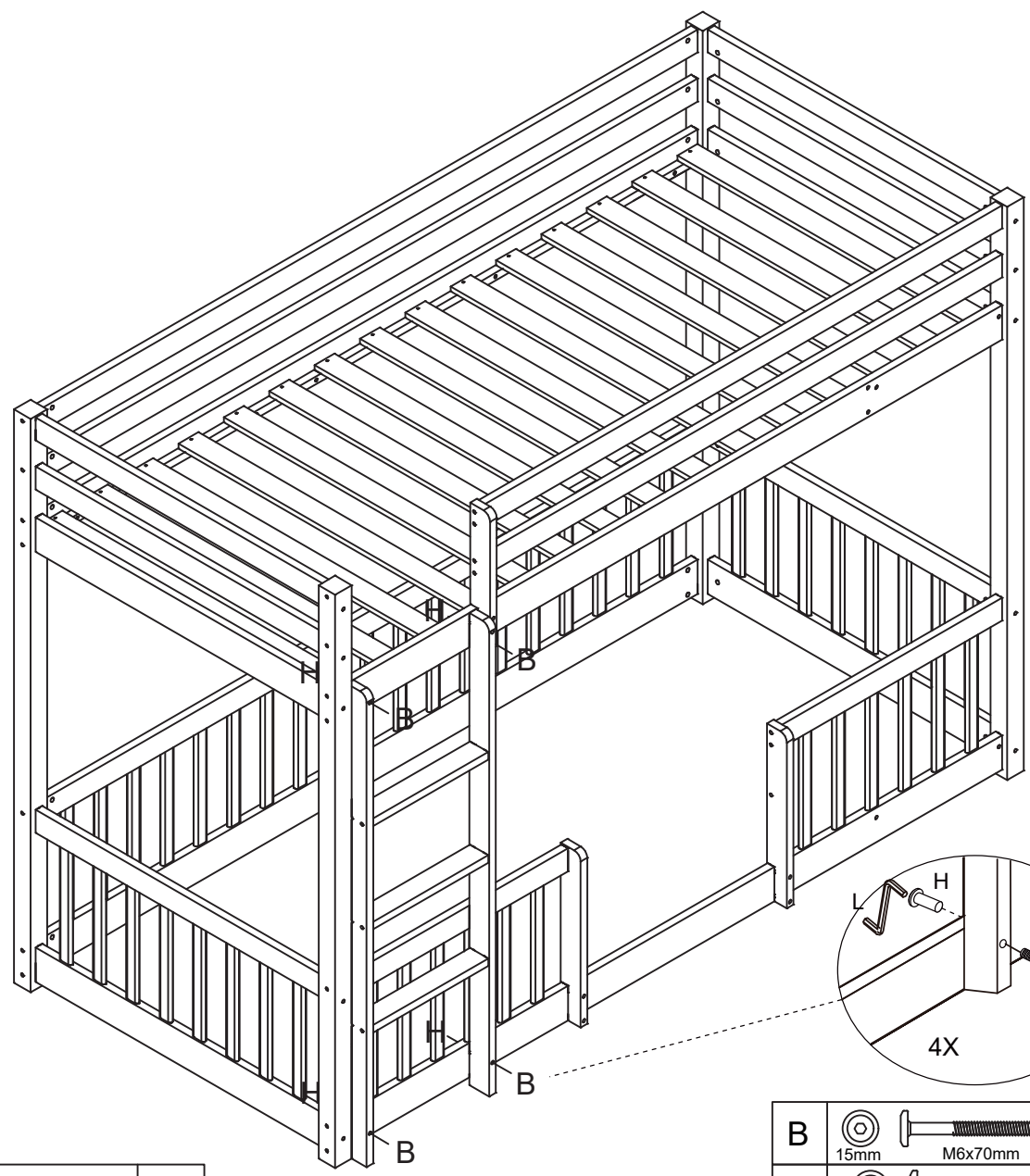
11





| | | | |
|---|---|-----|----|
| L |  | 4mm | 01 |
|---|---|-----|----|

| | | | |
|---|---|------------|----|
| A |  | M6x90mm | 04 |
| C |  | Ø10.5x16mm | 04 |

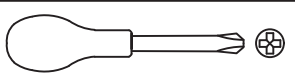
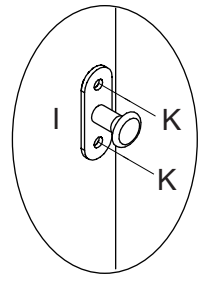
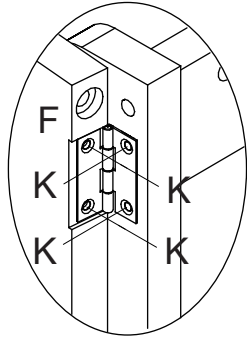
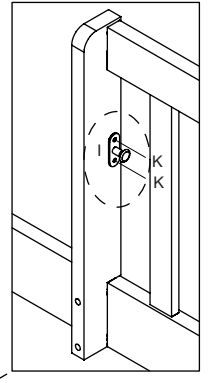
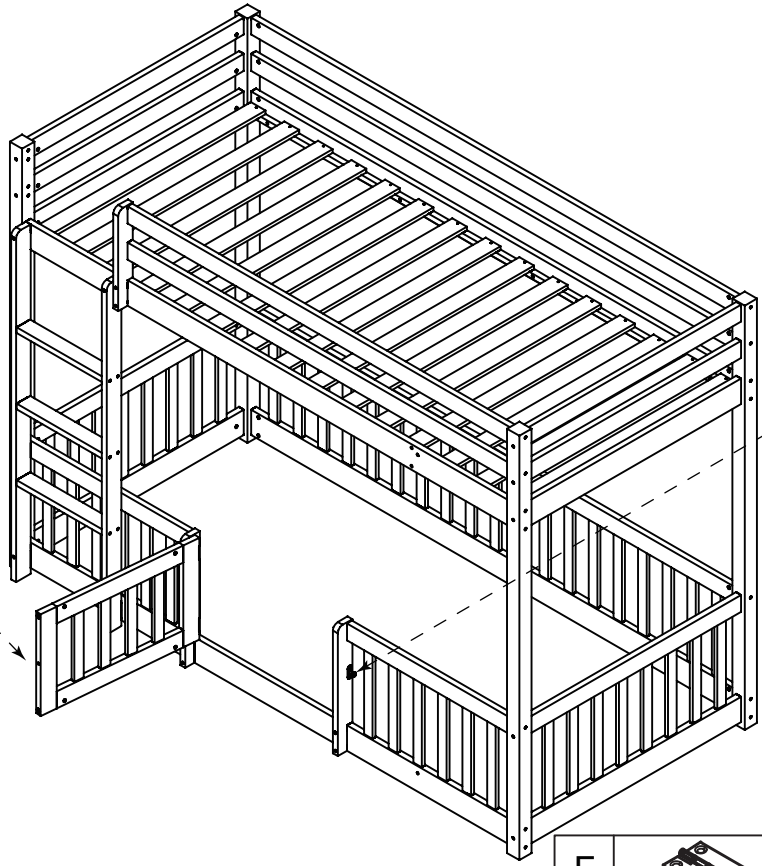
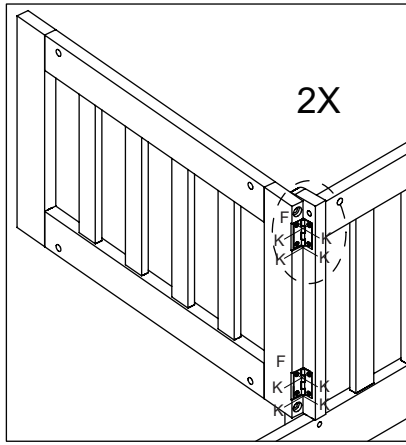
12



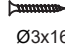
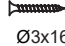


| | | | |
|---|---|-----|----|
| L |  | 4mm | 02 |
|---|---|-----|----|

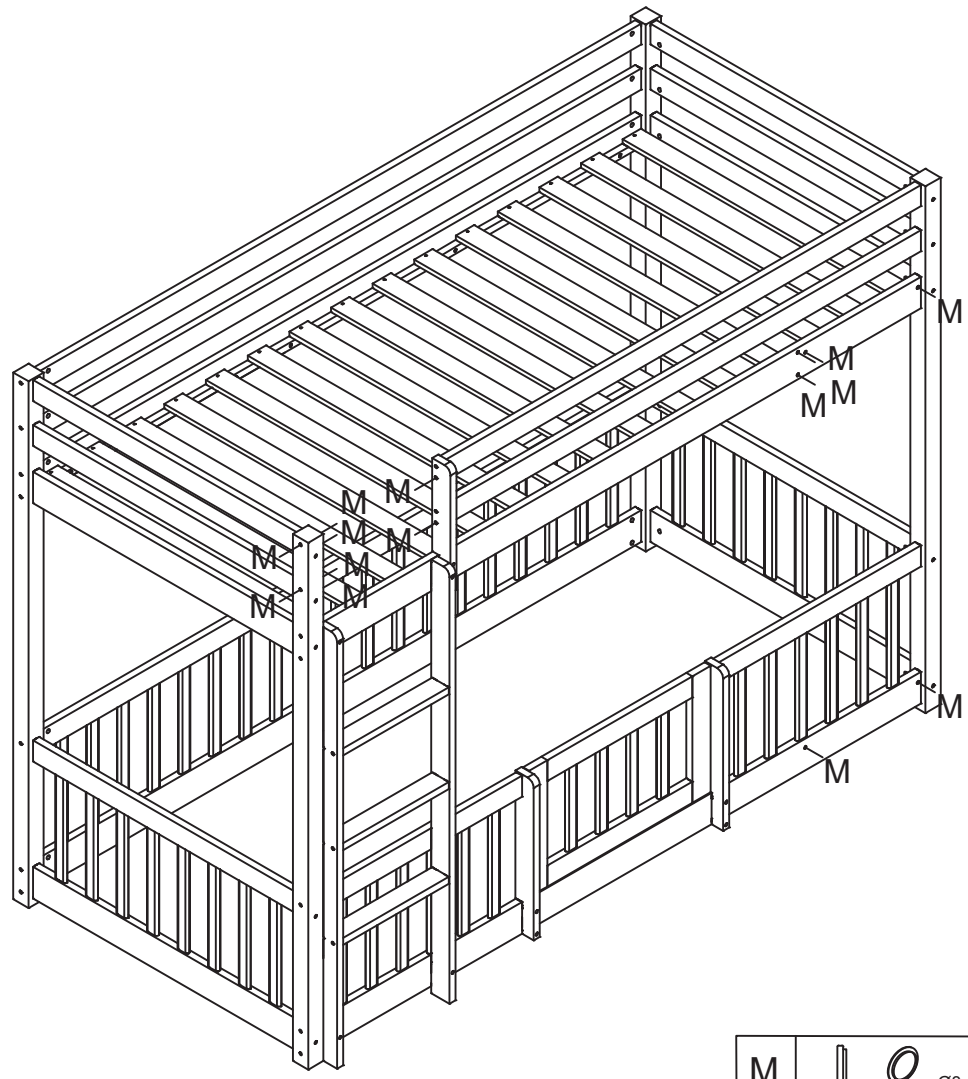
| | | | |
|---|---|---------|----|
| B |  | M6x70mm | 04 |
| H |  | M8x20mm | 04 |

13



| | | |
|---|---|----|
| F |  43.5x31.5mm | 02 |
| I |  | 01 |
| K |  6mm  Ø3x16mm | 10 |

14



| | | |
|---|--|----|
| M |   Ø8mm | 14 |
|---|--|----|