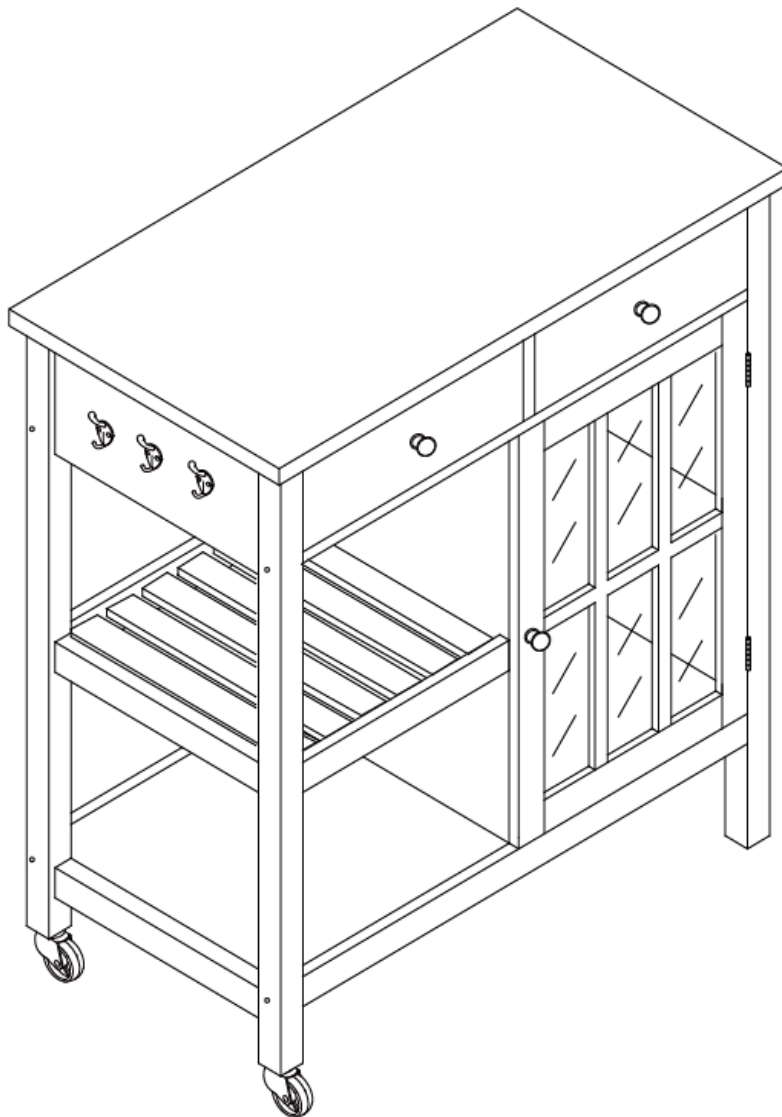


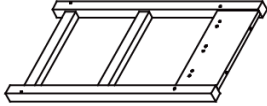
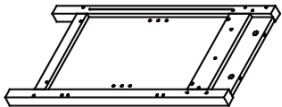
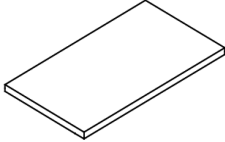
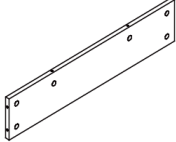
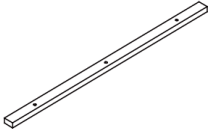
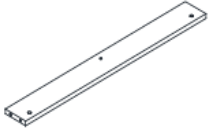

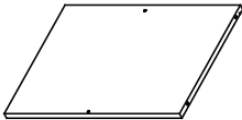
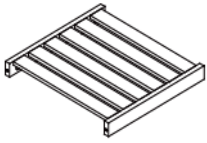
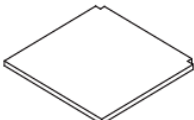
# Assembly Instructions


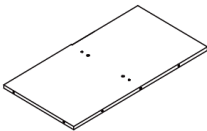
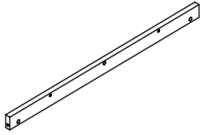
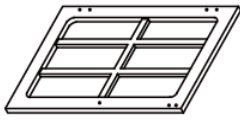
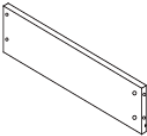
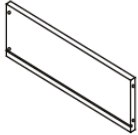
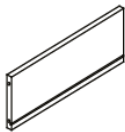
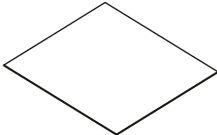
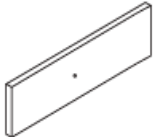
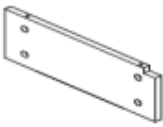
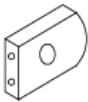
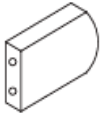
**Caution : You must read this before you proceed**

## KITCHEN CART



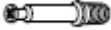



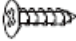
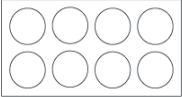






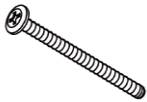
# Parts List




Label	Picture	Description	QTY
A		Left Side Panel	1
B		Right Side Panel	1
C		Top Panel	1
D		Upper Back Panel	1
E		Cross Bar	1
F		Front Stretcher	1
G		Back Stretcher	1
H		Partition	1
I		Upper Shelf	1
J		Shelf	1

K		Back Panel	1
L		Bottom Panel	1
M		Stretcher	2
N		Door Panel	1
O		Drawer Left Side Panel	2
P		Drawer Right Side Panel	2
Q		Drawer Back Panel	2
R		Drawer Bottom Panel	2
S		Drawer Front Panel	2
T		Medium Partition	1
U		Right Hanger Rail	1
V		Left Hanger Rail	1

W		Towel Rail	1
---	---	------------	---

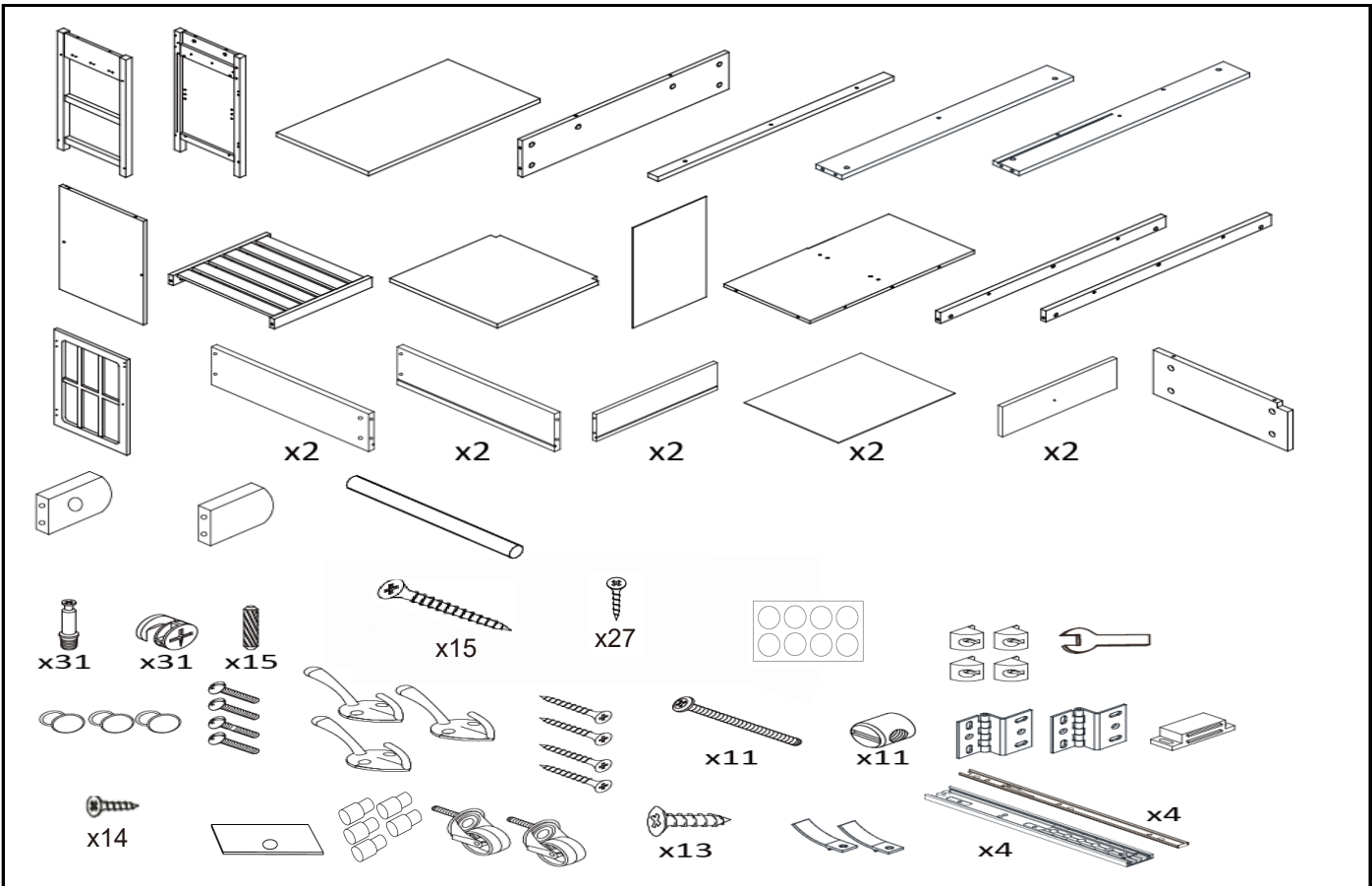
## Hardware

Label	Picture	Description	QTY
①		Cam Bolt	31
②		Cam Lock	31
③		Dowel	15
④		Screw (M4x35mm)	15
⑤		Screw (M3.5x12mm)	28
⑥		Stickers	8
⑦		Buckle	4
⑧		Wrench	1
⑨		Handle	3
⑩		Screw (M4x16mm)	4
⑪		Hanger	3
⑫		Screw (M4x25mm)	4
⑬		Bolt (M6x60mm)	11

⑭		Bolt Nut	11
⑮		Hinge	2
⑯		Magnet	1
⑰		Screw (M3x14mm)	13
⑱		Bracket	1
⑲		Pin	5
⑳		Wheel	2
㉑		Screw (M3.5x14mm)	13
㉒		Plastic Strip	2
㉓		Cabinet Slider	4
㉔		Drawer Slider	4
㉕		Screwdriver (Not provided)	1

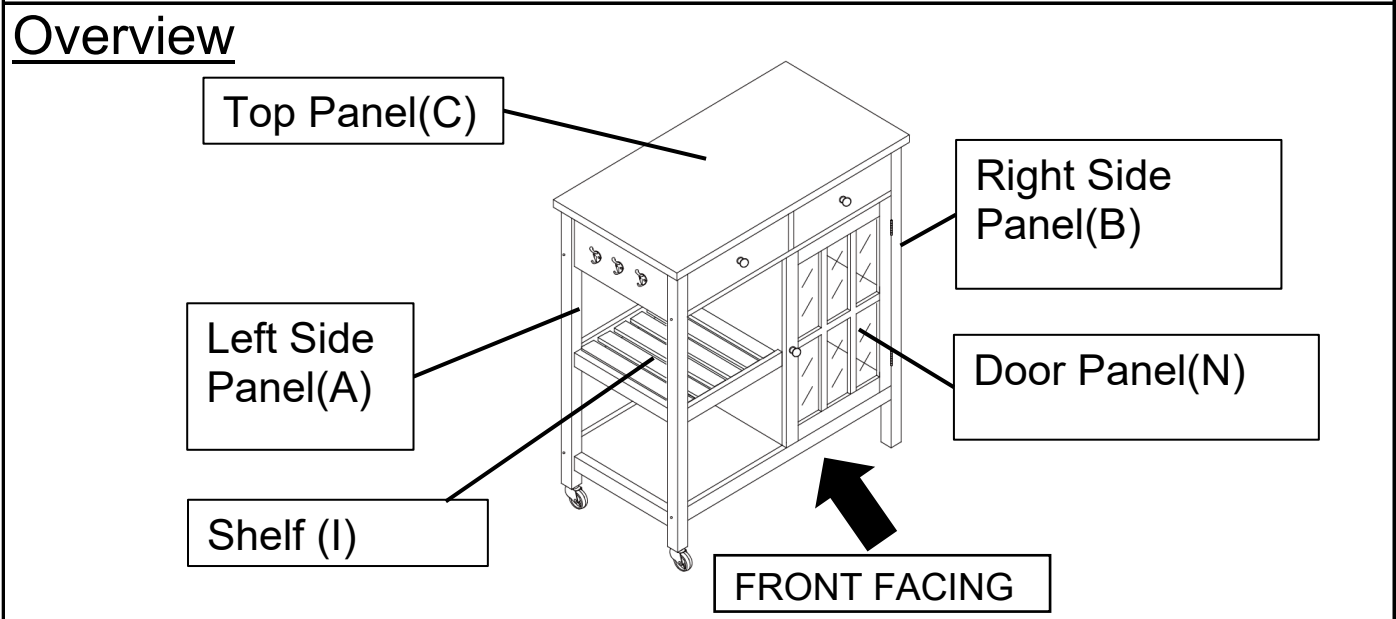
## Assembly Preparation

Before Beginning Assembly:



- Read instructions, cover to cover-
- Have 2 adults on hand for assembly-
- Do not assemble on flooring or carpet-
- Assemble on a clean non-marring surface (packing foam)-
- Save all packaging until finished-

## Assembly Steps

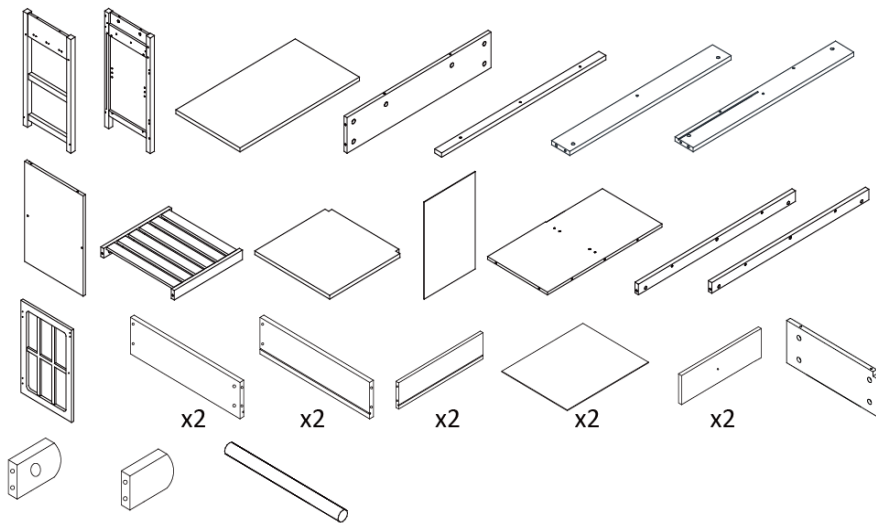


This Kitchen Cart has multiple parts and may require up to 60 minutes to assemble.

To give you an overview of the Kitchen Cart parts, the above picture is to help you put the various parts into perspective.

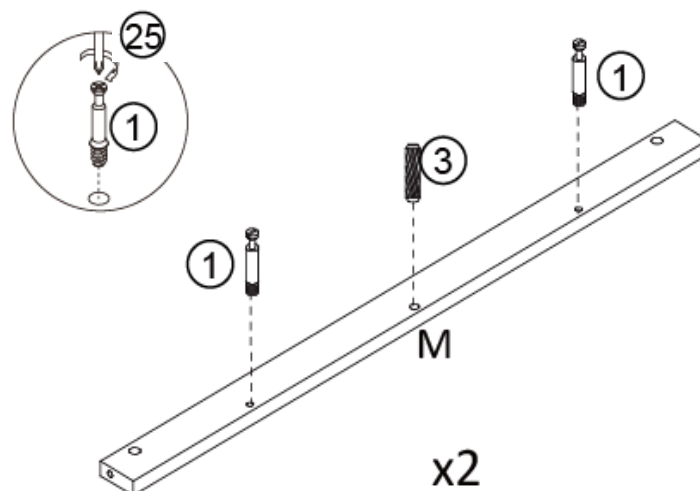
Please read through the instructions below to familiarise yourself with the parts and steps before assembly.

## Step 1



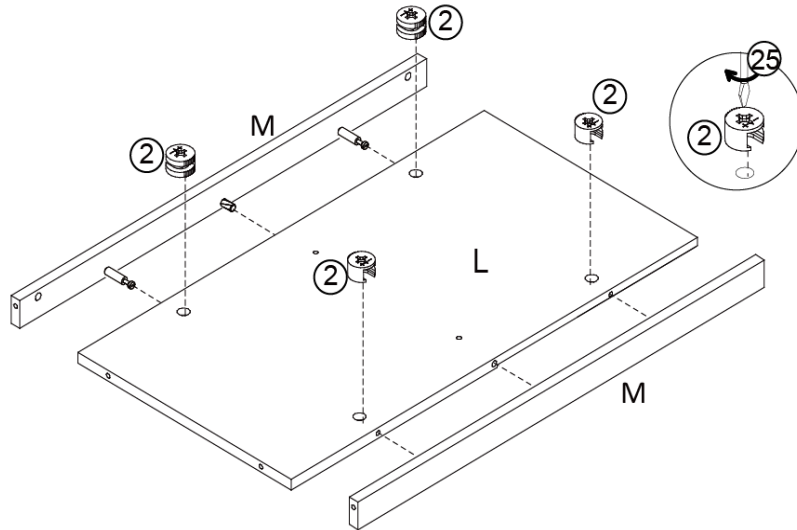
Unpack and place all parts on a clean, non-marring surface.

## Step 2



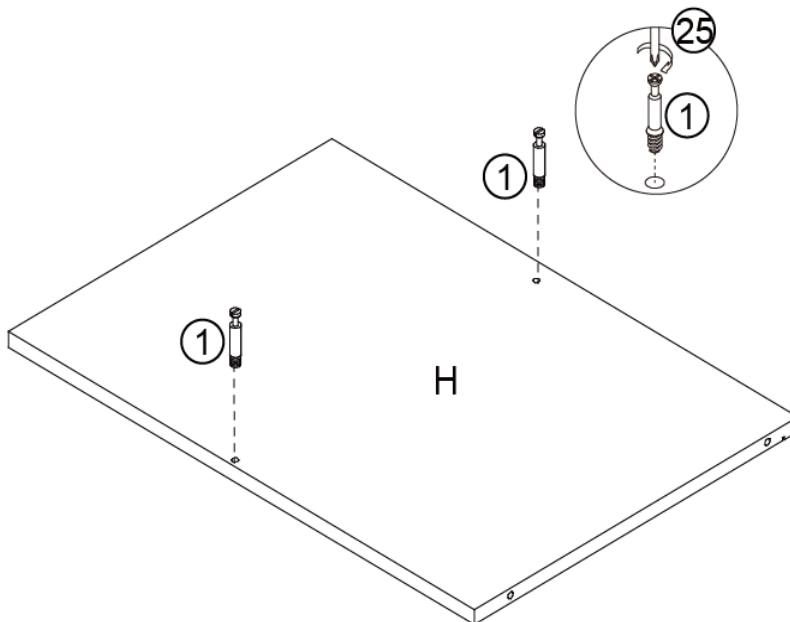
Insert Cam Bolts (①) and Dowel (③) into the mounting positions on Stretcher Panel (M) using Screwdriver(②⑤) as shown.

### Step 3



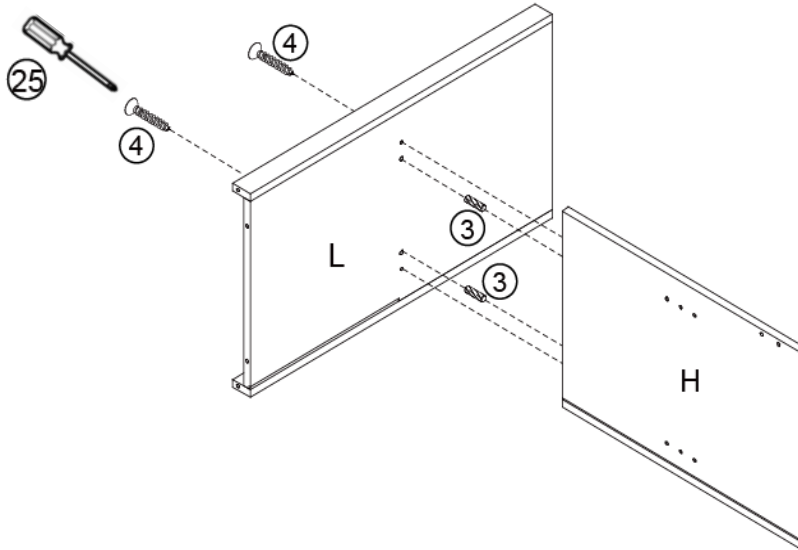
Connect Stretcher (M) and Bottom Panel (L), inserting Cam Locks (2) into Bottom Panel (L) using Screwdriver (25) as shown.

### Step 4



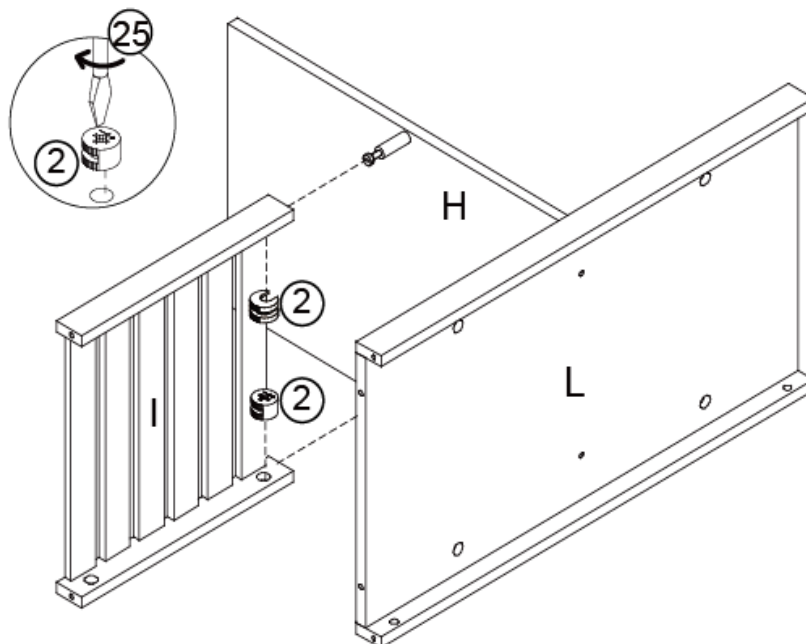
Attach Cam Bolt (1) to the mounting positions on Partition (H) using Screwdriver (25) as shown.

## Step 5



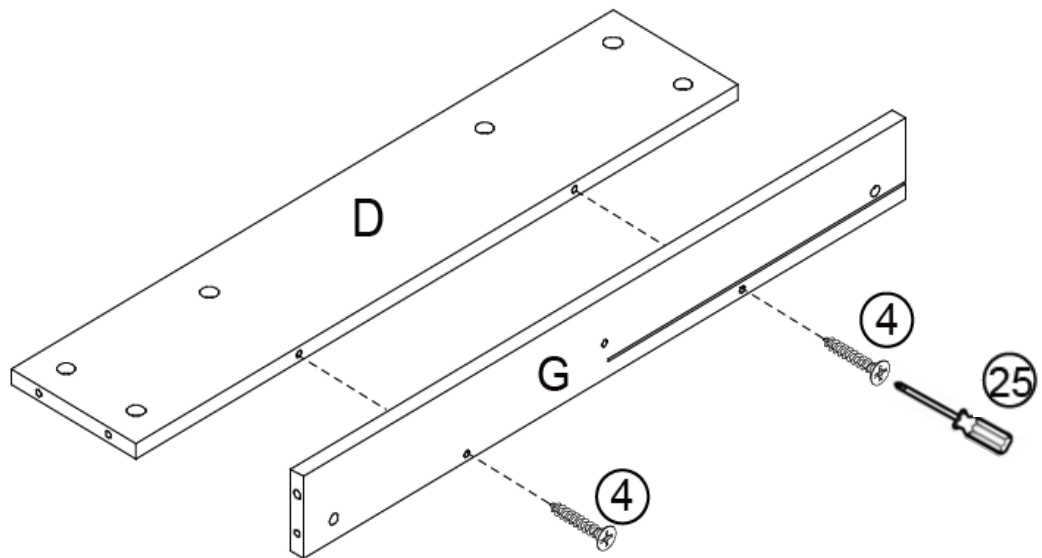
Attach Bottom Panel (L) to the Dowel (③) on Partition(H), then attach Bottom Panel(L) to the Partition(H) using Screw(④) with Screwdriver(②⑤) as shown.

## Step 6



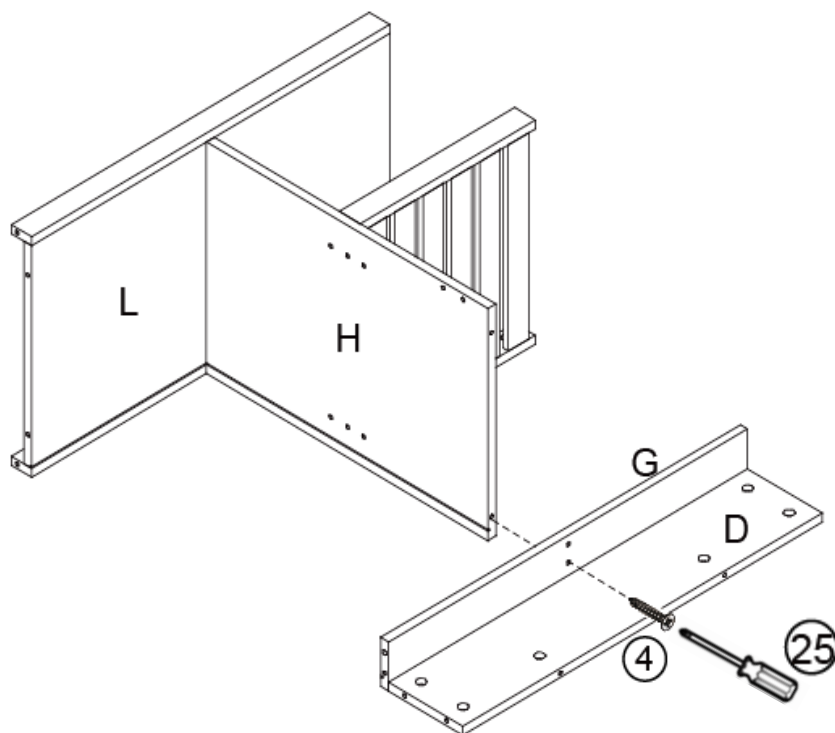
Attach Upper Shelf(I) to the Partition(H).  
Then inserting Cam Lock(②) into the Upper Shelf(I) using Screwdriver(②⑤) as shown.

## Step 7



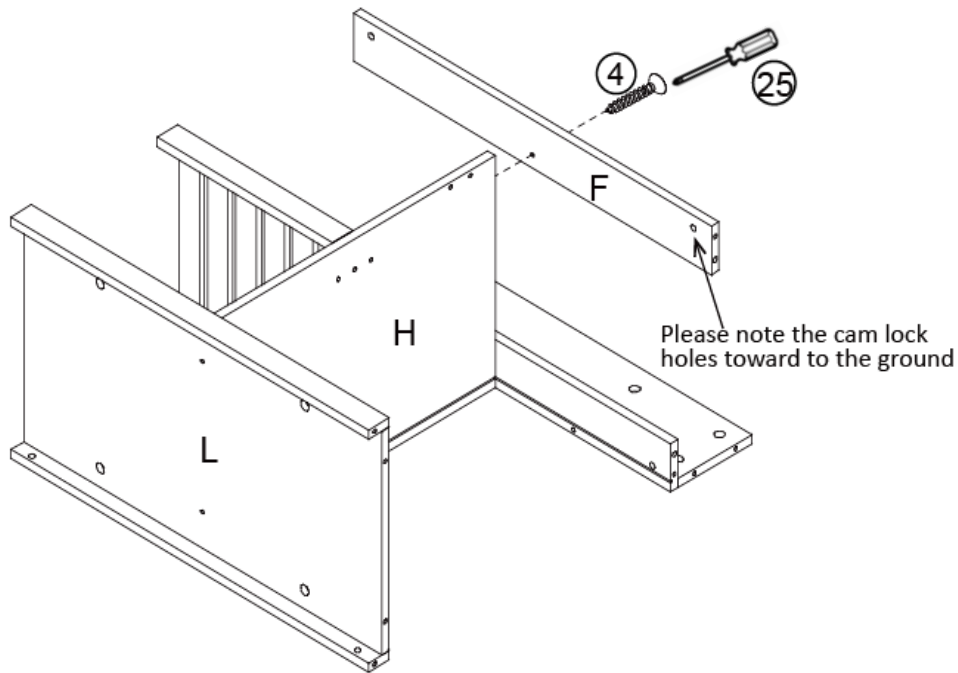
Attach Back Stretcher (G) to the Upper Back panel(D) using Screw(④) with Screwdriver(⑫⑤) as shown.

## Step 8



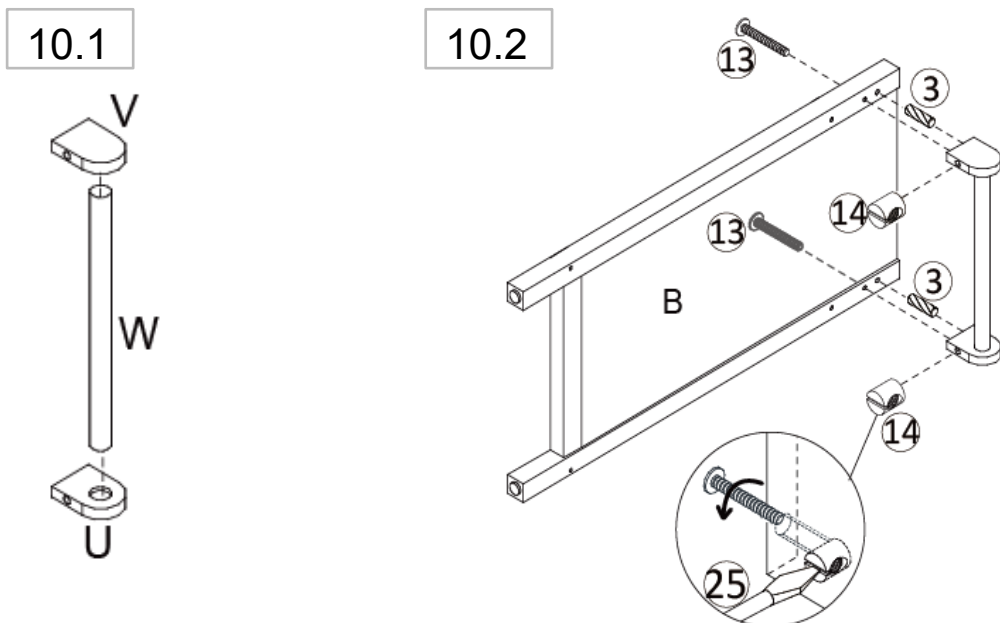
Attach Back Stretcher (G) to the Partition(H) using Screw(④) with Screwdriver(⑫⑤) as shown.

## Step 9



Attach Front Stretcher (F) to the Partition(H) using Screw(④) with Screwdriver(②⑤) as shown.

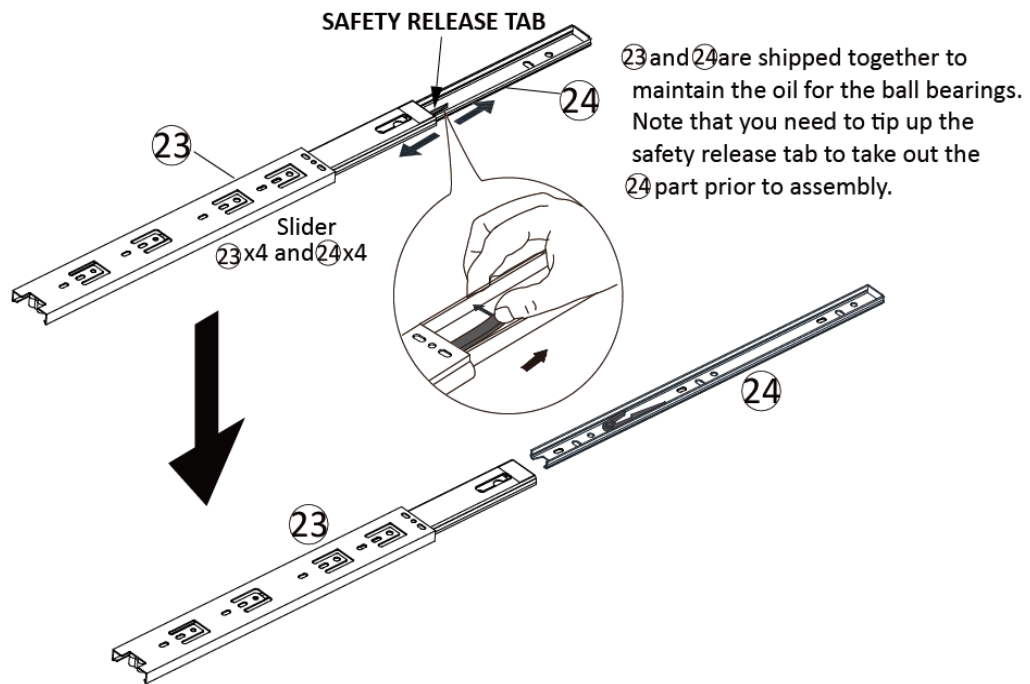
## Step 10



10.1)Put Left Hanger Rail (V),Tower Rail (W) and Right Hanger Rail (U) together as shown.

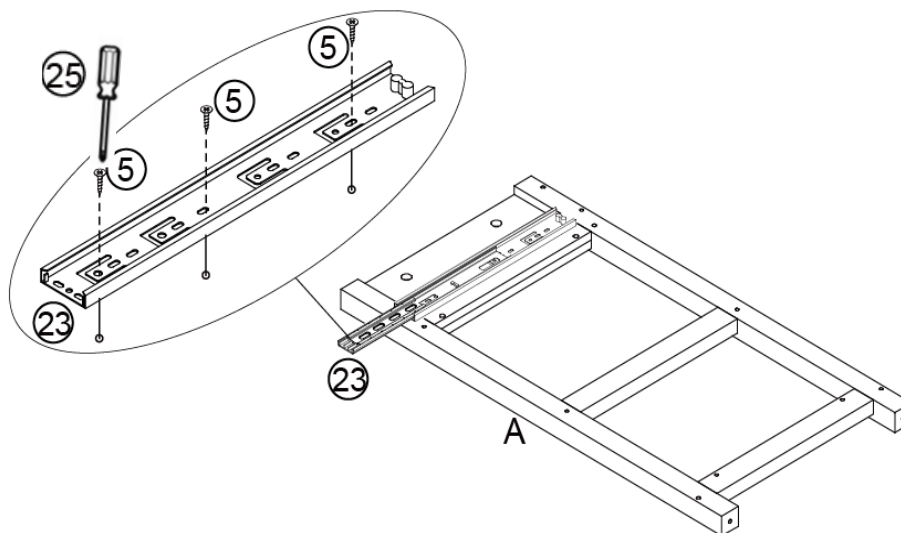
10.2)Attach Cart Handle to Right Side Panel (B) using Bolt (⑬),Lock Nut (⑭) and Wooden Dowel (③) and Screwdriver(②⑤) as shown.

## Step 11



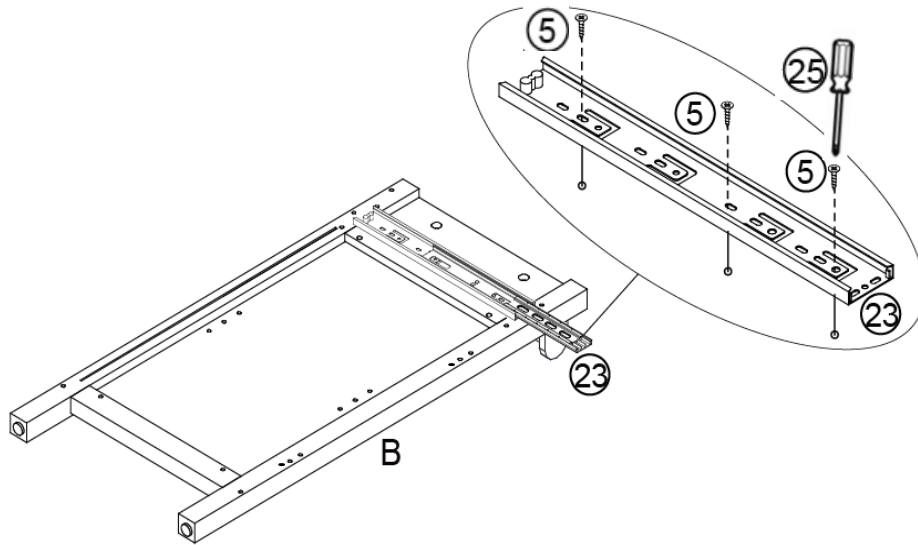
Separate the two sliders as shown.

## Step 12



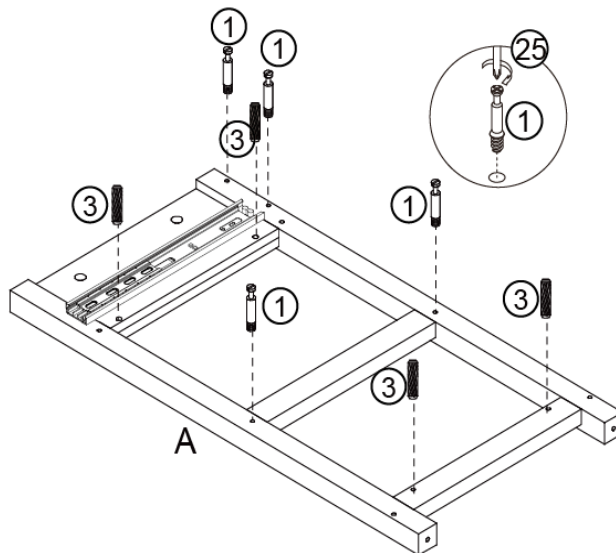
Attach Cabinet Slider(23) to Left Side Panel(A) using Screw(5) with Screwdriver(25).

## Step 13



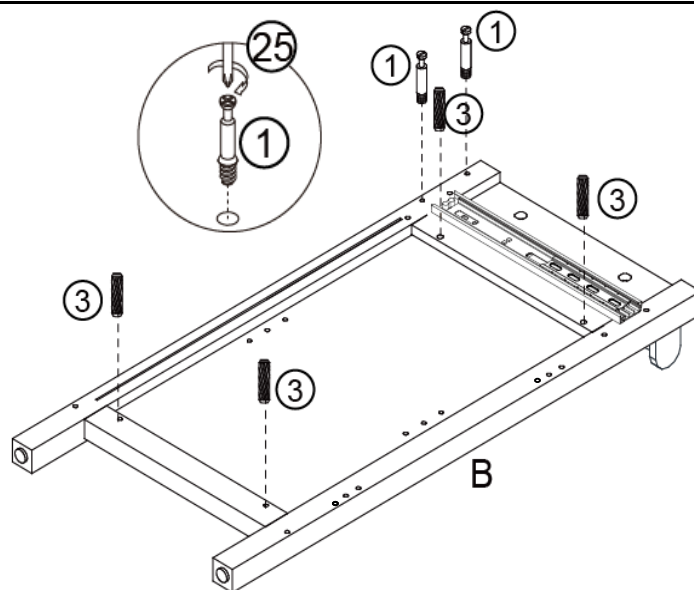
Attach Cabinet Slider(23) to Right Side Panel(B) using Screw(5) with Screwdriver(25).

## Step 14



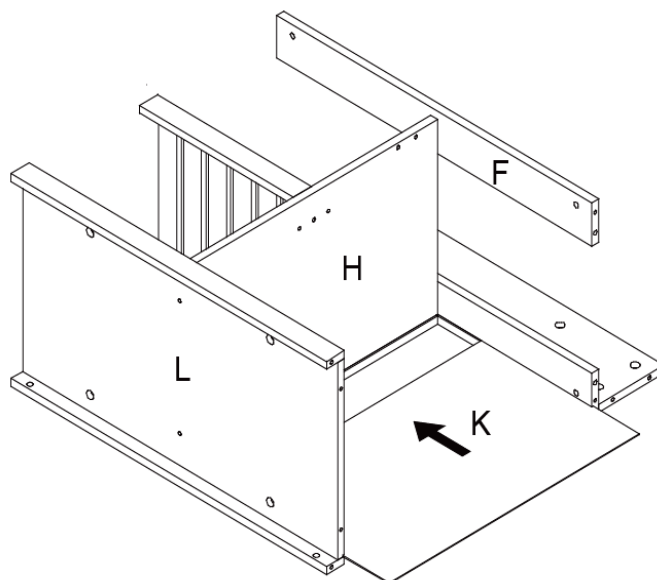
Attach Cam Bolts (1) and Wood Dowels (3) to Left Side Panel(A) using Screwdriver(25) as shown.

## Step 15



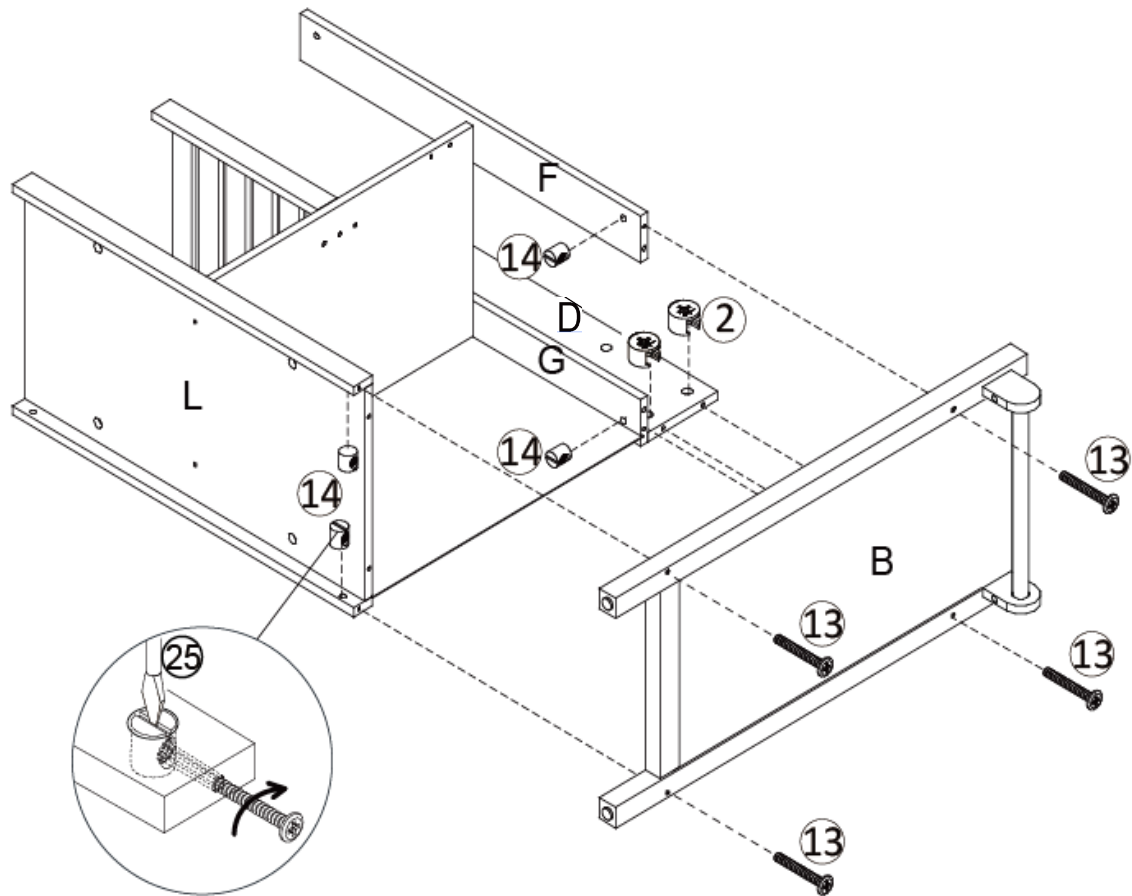
Attach Cam Bolts (①) and Wood Dowels (③) to Right Side Panel (B) using Screwdriver(②⑤) as shown.

## Step 16



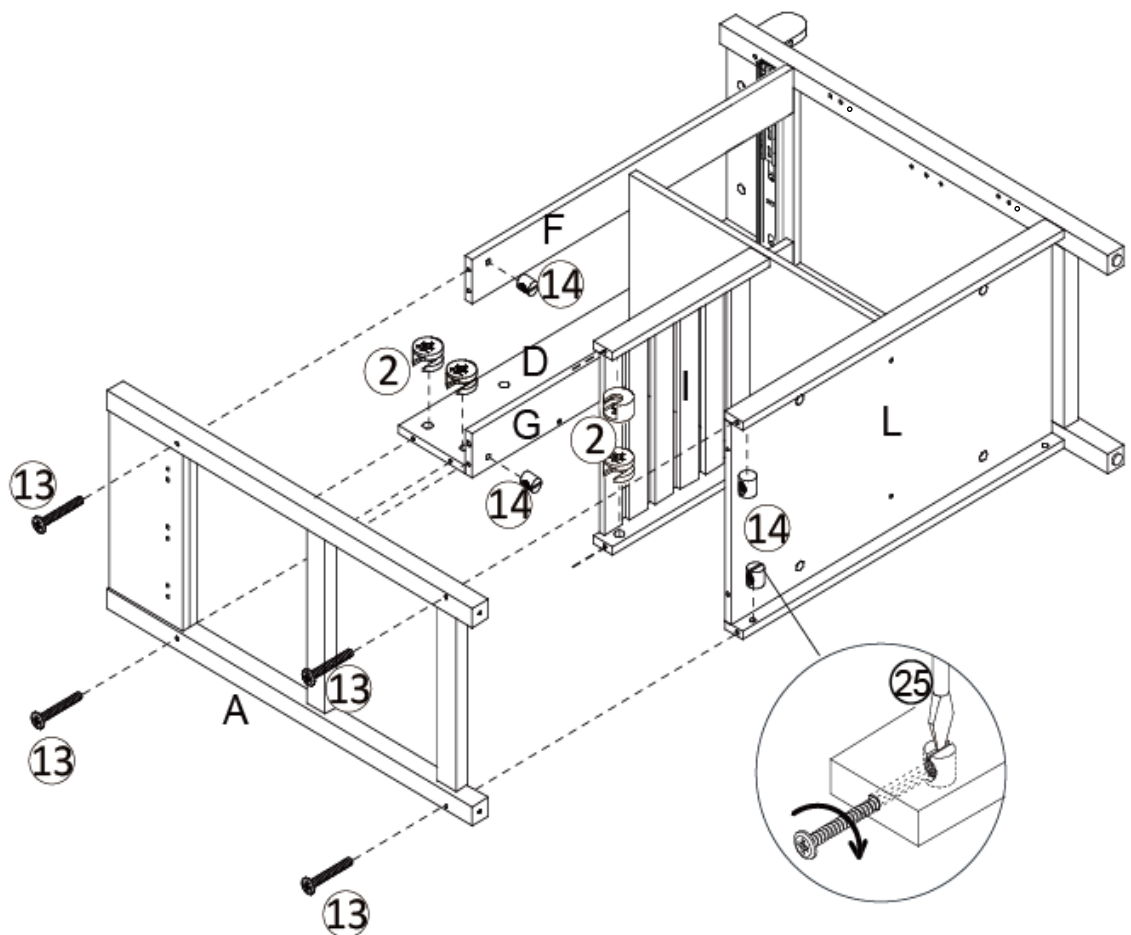
Insert the Back Panel(K) by sliding in the panel into the grooving as shown.

## Step 17



Attach Right Side Panel(B) to Upper Back Panel(D),inserting Cam Lock(②) into the Upper Back Panel(D), using Screwdriver(②⑤) as shown. Then attach Right Side Panel(B) to the Front Stretcher (F) and Back Stretcher (G) ,Bottom Panel(L) with Bolt(⑬) and Bolt Nut(⑭) using Screwdriver(②⑤) as shown.

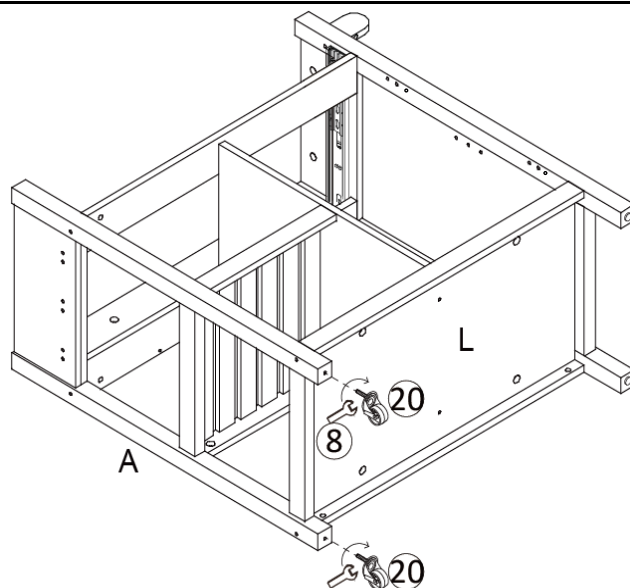
## Step 18



Attach Left Side Panel(A) to Back Panel(D), Shelf(I), inserting Cam Lock(②) into the Back Panel(D), Shelf(I) using Screwdriver(②⑤) as shown.

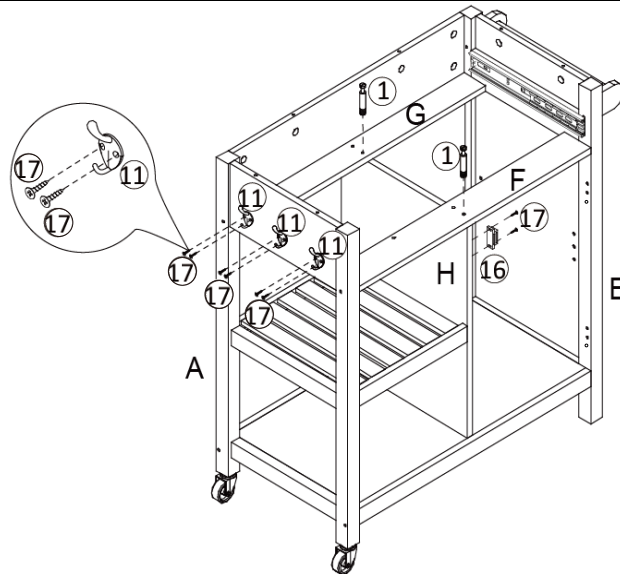
Then attach Left Side Panel(A) to the Stretcher (F) and Stretcher (G), Bottom Panel(L) with Bolt(⑬) and Bolt Nut(⑭) using Screwdriver(②⑤) as shown.

## Step 19



Attach Wheel(⑳) to Left Side Panel(A) using Wrench(⑧).

## Step 20

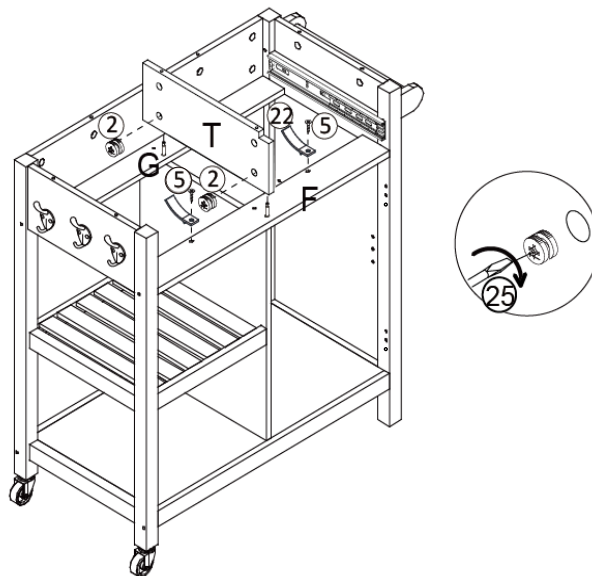


Attach Magnet(⑩) to the Partition(H) using Screw(⑰) with Screwdriver(⑳).

Attach the Hanger (⑪) to the Left Side Panel (A) using Screw(⑰) with Screwdriver(⑳).

Attach Cam Bolt(①) to the mounting positions on Front Stretcher (F) and Back Stretcher (G) using Screwdriver(⑳).

## Step 21

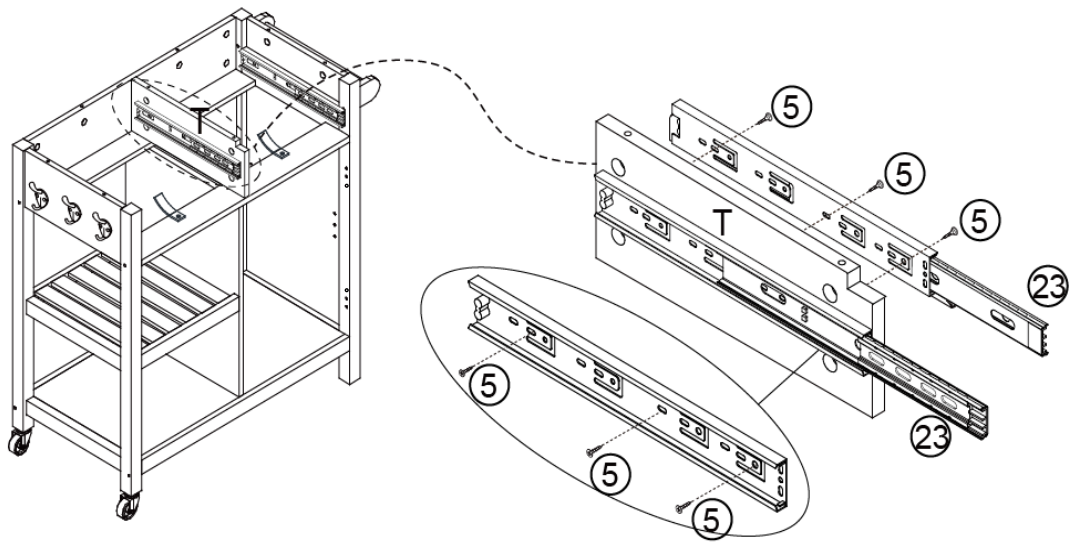


Attach Medium Partition(T) to the Front Stretcher (F) and Back Stretcher(G).

Then inserting Cam Lock(②) into the Medium Partition(T) using Screwdriver(⑳) as shown.

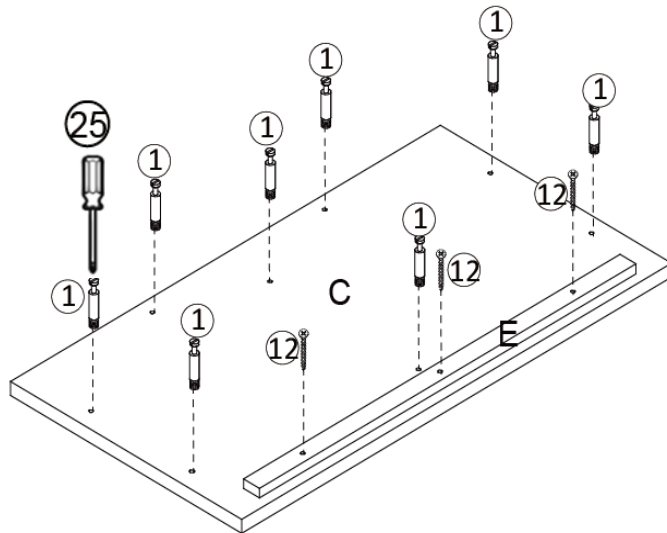
Attach the Plastic Strip (⑳) to the Front Stretcher (F) using Screw(⑤) with Screwdriver(⑳).

## Step 22



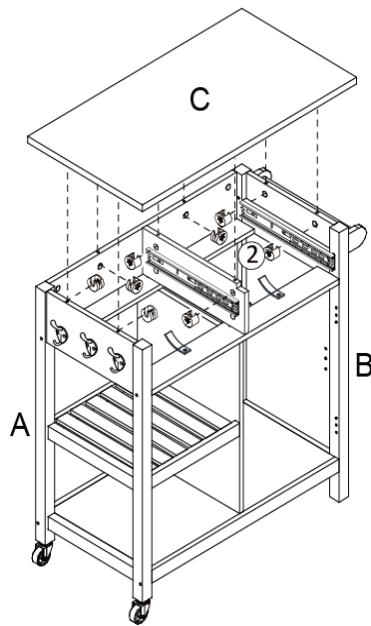
Attach Cabinet Slider(23) to Medium Partition(T) to both sides using Screw(5) with Screwdriver(25).

## Step 23



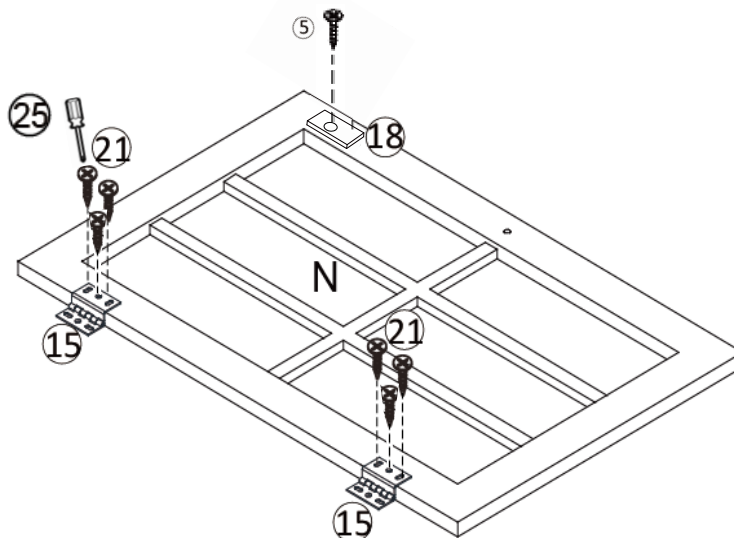
Attach Cam Bolt(1) to the mounting positions on Top Panel(C) using Screwdriver(25).  
Attach Cross Bar (E) to the Top Panel(C) using Screw(12) with Screwdriver(25).

## Step 24



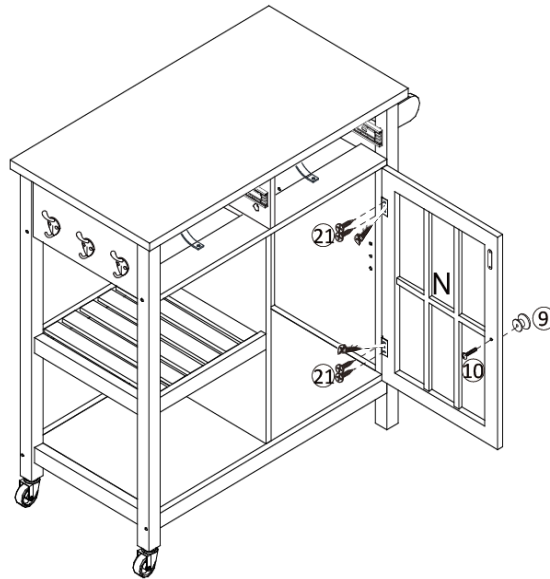
Attach Top Panel(C) to Left Side Panel(A), Upper Back Panel(D), Medium Partition(T) and Right Side Panel(B), Insert Cam Lock(2) into the Left Side Panel(A), Upper Back Panel(D), Medium Partition(T) and Right Side Panel(B) using Screwdriver(25) .

## Step 25



Attach Hinge(15) and Bracket(18) to the Door Panel(N) with Screw (5) and Screw(21) using Screwdriver(25) as shown.

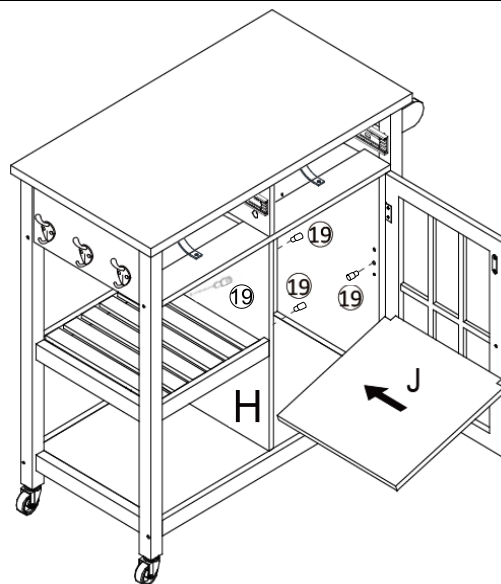
## Step 26



Attach Door Panel(N) to Right Side Panel(B) using Screw(21) with Screwdriver(25).

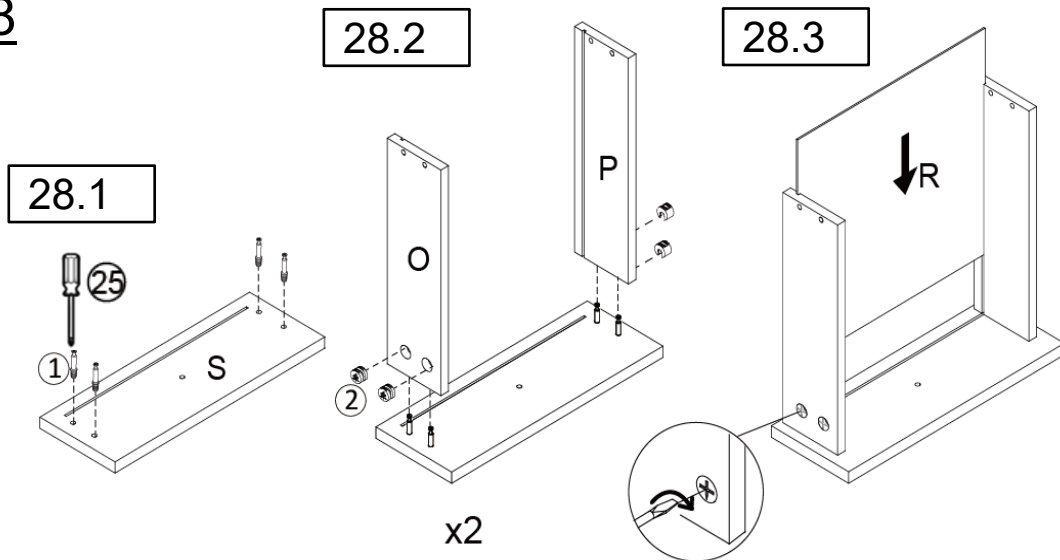
Attach Handle(9) to the Door Panel(N) using Screw(10) with Screwdriver(25).

## Step 27



Insert the Pin(19) to Right Side Panel(B) and Partition(H).  
Insert Shelf (J) into the cabinet.

## Step 28

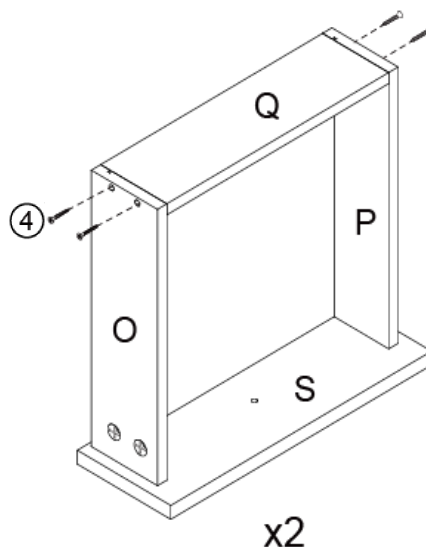


28.1) Attach Cam Bolt(①) to the mounting positions on Drawer Front Panel(S) using Screwdriver(②⑤).

28.2) Attach Drawer Left Side Panel(O) and Drawer Right Side Panel(P) to the Cam Bolt(①) on Drawer Front Panel(S), insert Cam Lock(②) into the Drawer Left Side Panel(O) and Drawer Right Side Panel(P) using Screwdriver(②⑤) as shown. Do not fully tighten Cam Bolt(①).

28.3) Insert the Drawer Bottom Panel(R) by sliding in the panel into the grooving as shown. then tighten the Cam Locks(②).

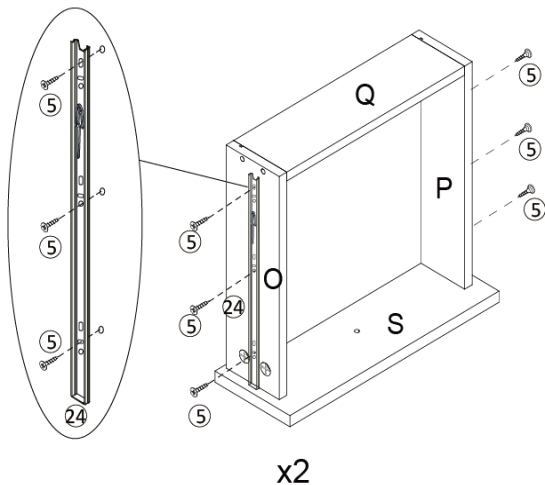
## Step 29



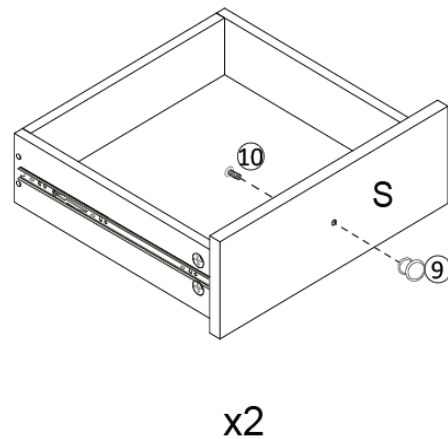
Attach Drawer Back Panel(Q) to the Drawer Left Side Panel(O) and Drawer Right Side Panel(P) using Screw(④) with Screwdriver(②⑤).

## Step 30

30.1



30.2

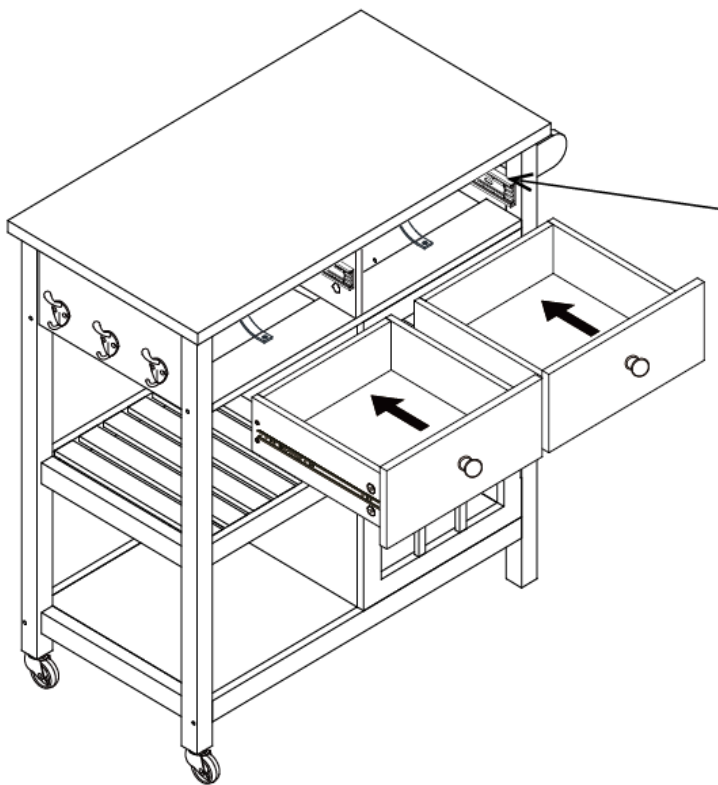


30.1) Attach Drawer Slider (24) to Drawer Left Side Panel (O) using Screw (5) with Screwdriver (25).

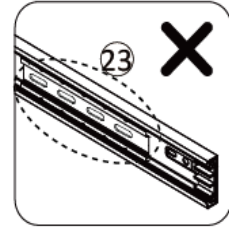
Repeat this step for the Drawer Right Side Panel (P).

30.2) Attach Handle (9) to Drawer Front Panel (S) using Screw (10) with Screwdriver (25).

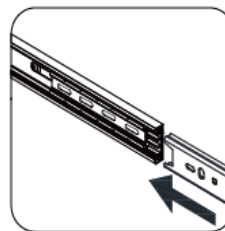
## Step 31



Insert the drawer into the assembled body as shown.

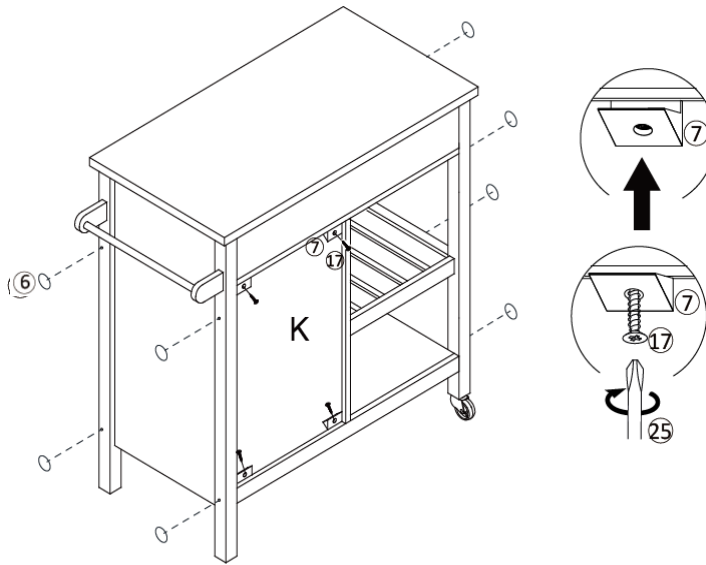


Slide bearings forward to the end.  
(Don't insert when the part in the middle)



Before pushing in, make sure the 2 parts are connected in place.

## Step 32



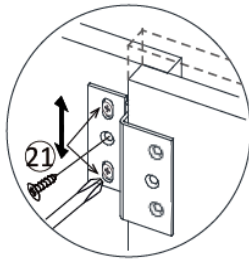
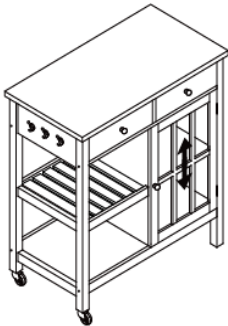
Attach the Buckle(⑦) to the Back Panel(K) using Screw(⑰) with Screwdriver(⑳).

Make sure the whole product is stable.

Place Stickers (⑥) over bolt holes and enjoy.

## Step 33

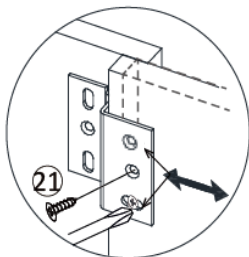
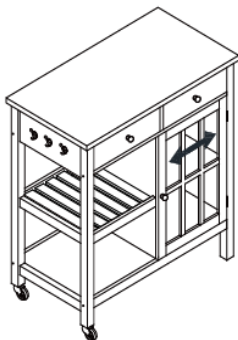
**Attention:** If the doors may shift or sag after assembly, please adjust the hinges according to below instruction.



### Vertically adjustment

Slightly adjust the screws position on side panels.

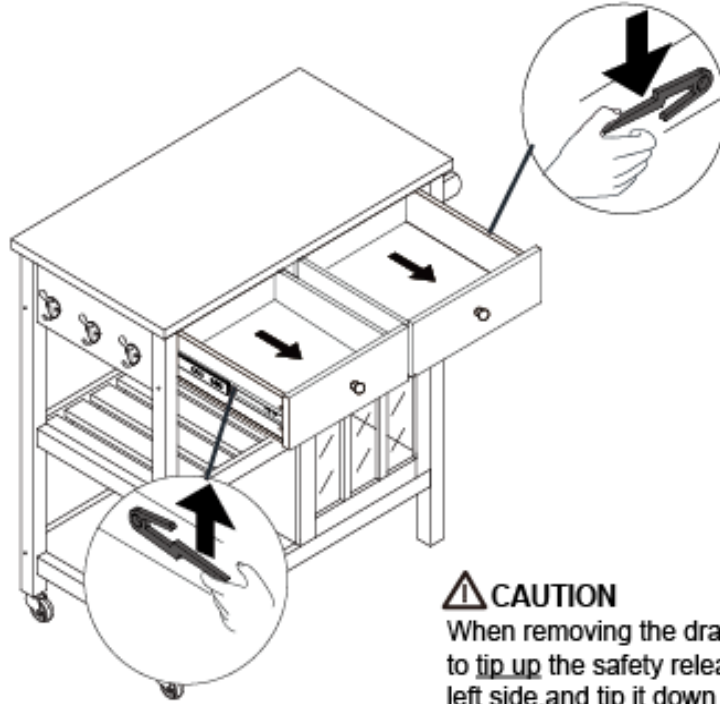
When the doors are flush, lock the middle screws on hinges.



### Horizontally adjustment

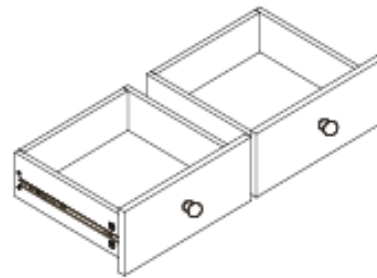
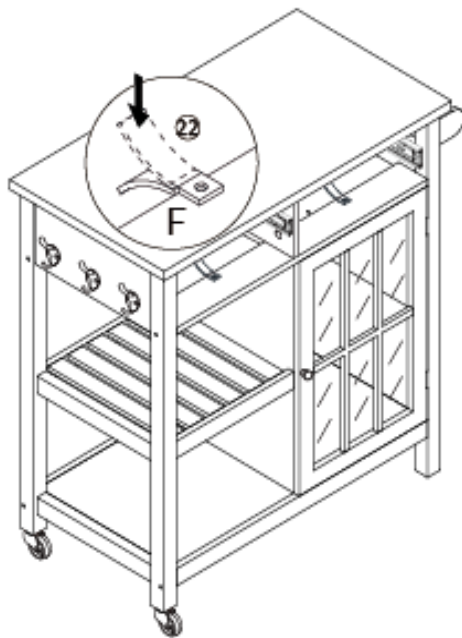
Slightly adjust the screws position on doors.

When the doors are flush, lock the middle screws on hinges.



**⚠ CAUTION**

When removing the drawer, be careful to tip up the safety release tab on the left side, and tip it down on the right side to remove the drawer from the body as shown.



## Care & Maintenance



- Furniture may scratch floors. We recommend using furniture pads to protect your floors.



- Do not put hot items directly on furniture surface.



- Do not clean furniture with harsh cleansers or polish.



- Do not place furniture under direct sunlight.



- Do not place furniture near heating or cooling vents.



- Do not write on furniture without a padded barrier to protect the surface.



- Do not place furniture outside . For indoor use only.



- Not for commercial use. For residential use only.



- Stains may be removed with mild soap solution and damp cloth.



- Children should not climb or jump on the furniture.



- Dust and pick-up spills using a clean, non-colored, lint-free cloth.