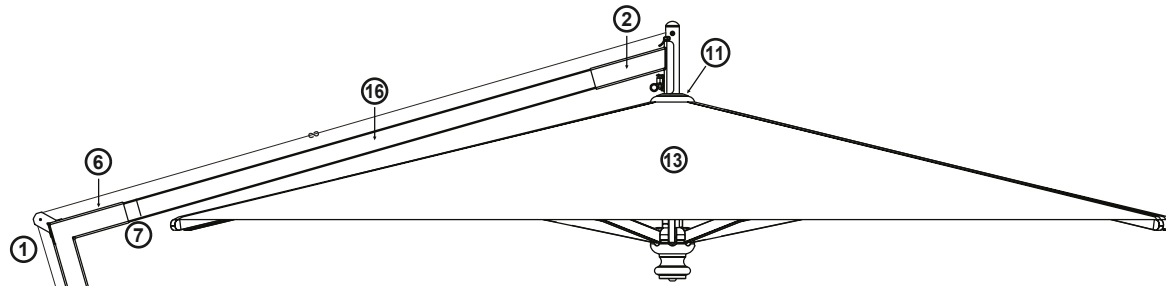


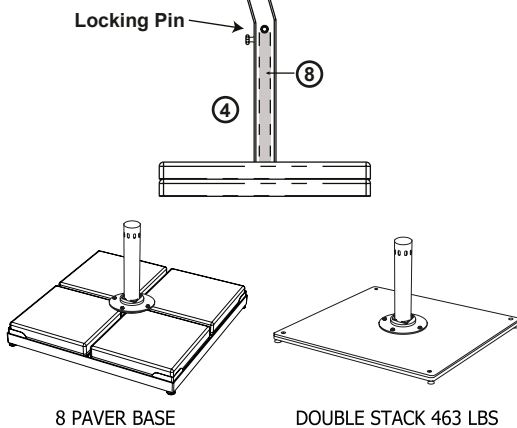
PENDULUM UMBRELLA ASSEMBLY INSTRUCTIONS



***NOTE:**

You may have purchased one of three bases for mounting the umbrella. The components comprising the base mount system are in separate boxes from the umbrella. Locate your base mount system boxes, and assemble the base system prior to removing the umbrella from the protective plastic bag.

For alternative base options please view www.woodlineshade.com



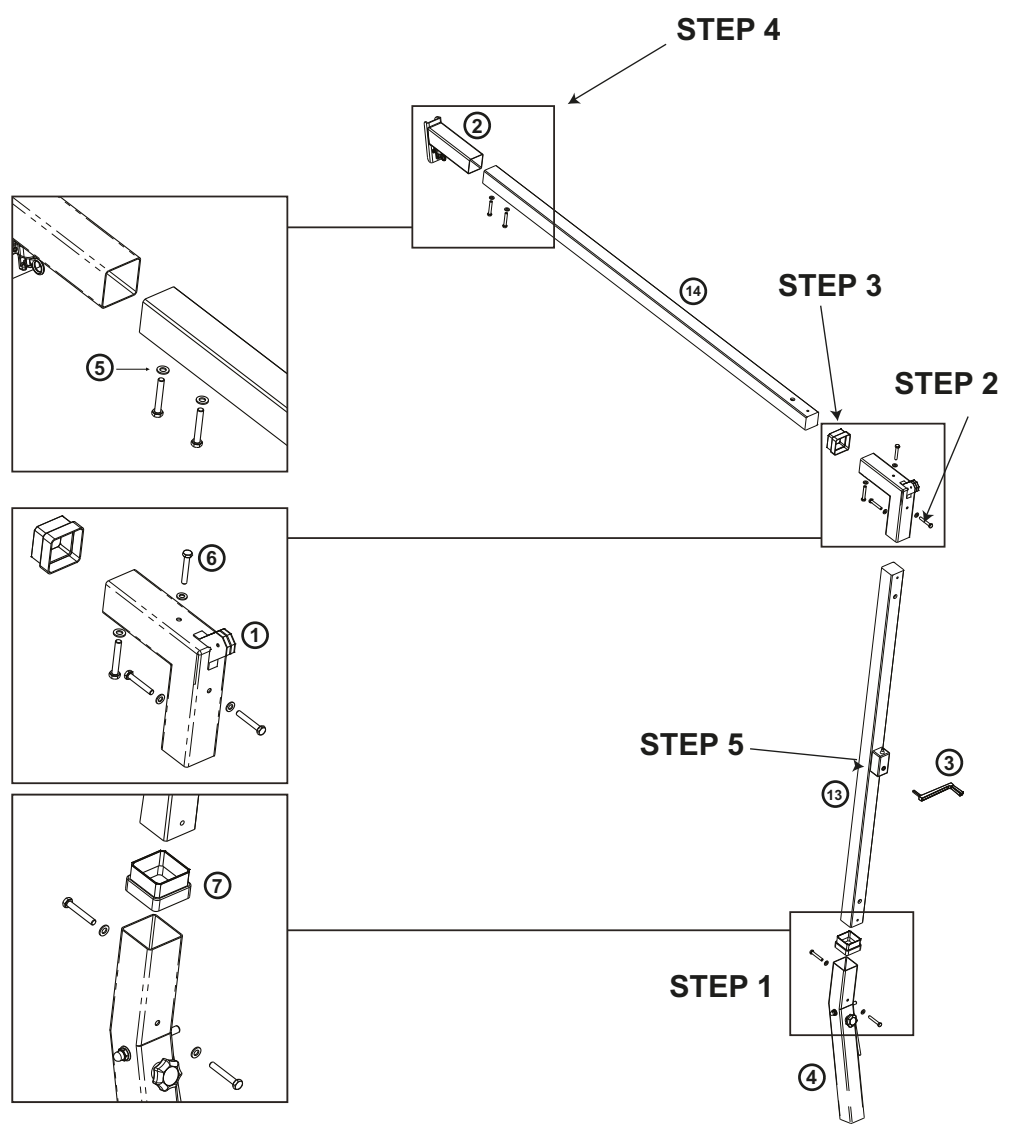
PACKED BY: _____ DATE: _____

CHECKED BY: _____ DATE: _____

STRUCTURE BOX	
13	1 x VERTICAL POLE WITH WINCH SYSTEM MECHANISM <small>PACKED</small>
14	1 x HORIZONTAL POLE <small>PACKED</small>

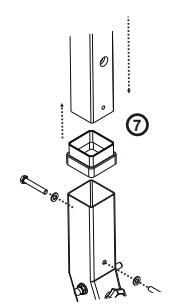
FRAME BOX	
10	1 x COVER BAG STICK <small>PACKED</small>
11	1 x UMBRELLA STRUCTURE/CANOPY <small>PACKED</small>
12	1 x COVER BAG <small>PACKED</small>
14	LOXX SPANNER <small>(IN ZIPLOC BAG ATTACHED TO RUNNER ON THE UMBRELLA STRUCTURE)</small> <small>PACKED</small>

1	STRUCTURE FITTINGS BOX 1 x ELBOW (WITH PULLEY) <small>PACKED</small>
2	1 x CANOPY CLIP BRACKET (RELEASE RING INSTALLED) <small>PACKED</small>
3	1 x CRANK HANDLE FOR WINCH SYSTEM <small>PACKED</small>
4	1 x BASE SLEEVE <small>PACKED</small>
5	8 X M6 X 20 WASHERS <small>PACKED</small>
6	8 X M6 X 35 SCREWS <small>PACKED</small>
7	2 X SQUARE BLACK RUBBER SEALS <small>PACKED</small>
8	SPIGOT AND 2 x NYLON WASHERS <small>PACKED</small>
9	1 x ALLEN KEY SIZE 6mm <small>PACKED</small>



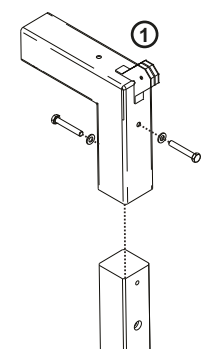
NOTE: Assemble your umbrella base before assembling the Pendulum structure.
NOTE: Spigot ⑧ tube is required when assembling base – to be found in Structure Fittings Box.

STEP 1:



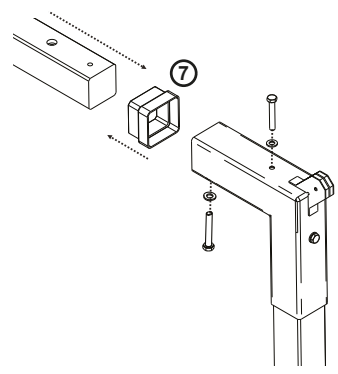
Remove all bolts at ends of vertical ⑬ and horizontal poles ⑭. Push small end of rubber seal ⑦ onto end of pole with winch box. Connect base sleeve and vertical pole with winch box as illustrated, and fasten bolts with washers. Then slide the rubber seal down over the short section of base sleeve. Wetting the inside of the rubber seal with dish soap will make it easier to slide over the pole.

STEP 2:



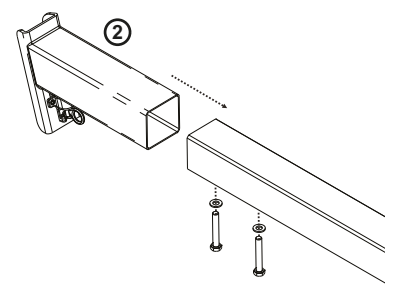
Push elbow ① onto top end of post ⑬, then fasten bolts with washers on both sides.

STEP 3:



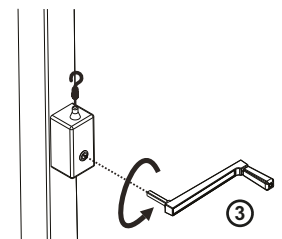
As illustrated, push small end of rubber seal ⑦ onto horizontal pole ⑭, slide into elbow and fasten with bolts and washers. Slide rubber seal over elbow to seal joint.

STEP 4:



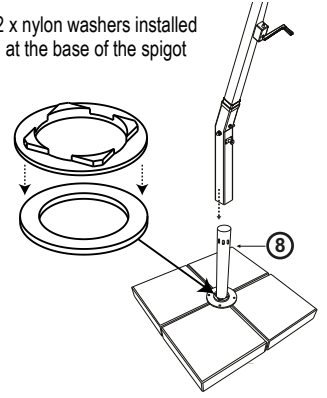
As illustrated, push canopy clip bracket ② onto horizontal pole ⑭ and fasten with bolts and washers on bottom side.

STEP 5:

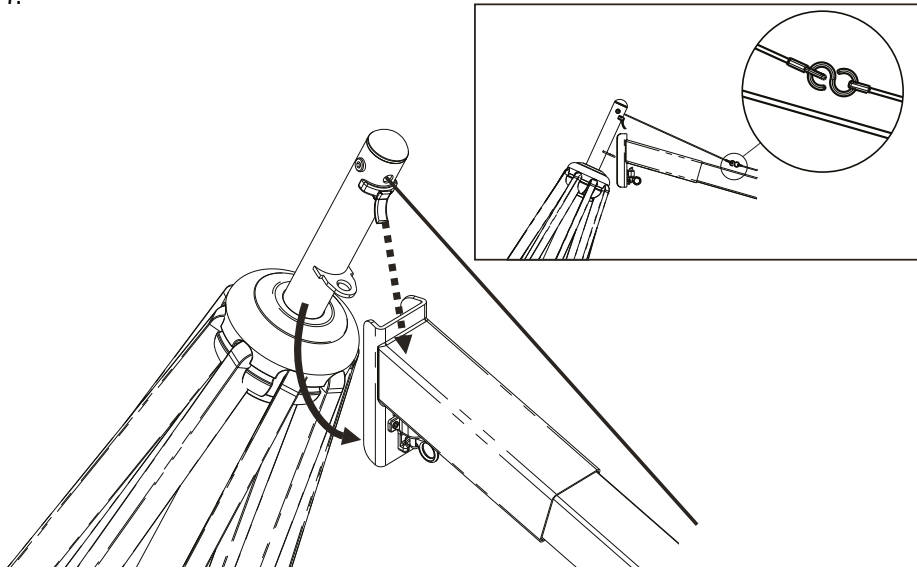


Insert winch handle ③ into winch box and unwind cable by rotating winch handle counter-clockwise, ensuring that you keep cable tensioned while unwinding/spooling. Then guide cable over the pulley through the opening in the pulley housing.

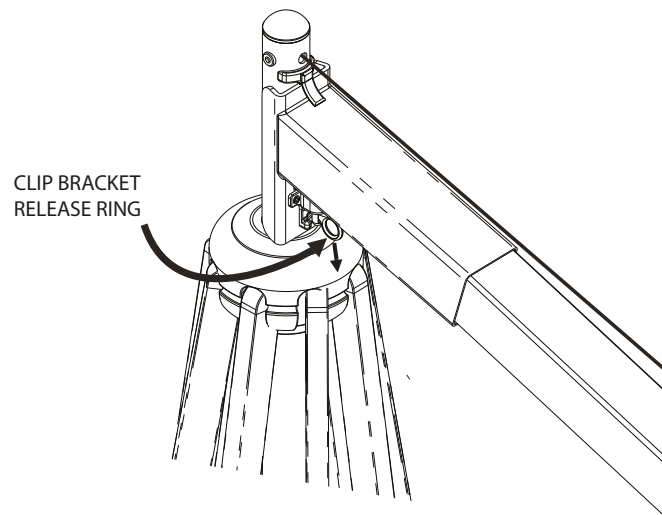
STEP 6:



Two people are needed to lift and slide the fully assembled vertical and horizontal poles onto the spigot ⑧.

STEP 7:

NOTE: Do not remove umbrella strap prior to conducting Step 7. Connect short umbrella cable to hook on unwound cable from crank. Slightly angle the umbrella structure and hook the umbrella structure onto canopy clip bracket as illustrated and tilt it into vertical position until you hear it click into the locked position. The canopy structure is now securely attached to the clip bracket (see illustration below).

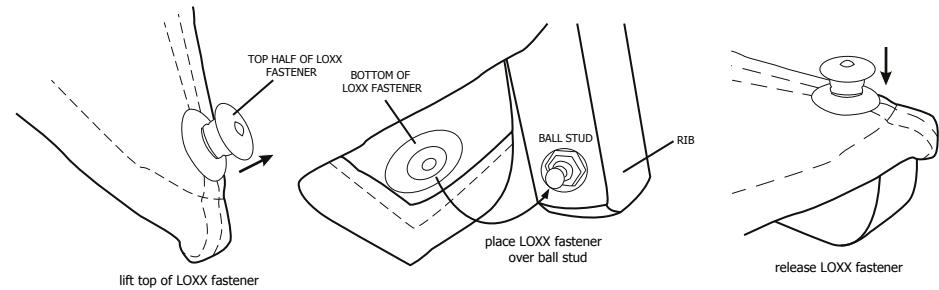
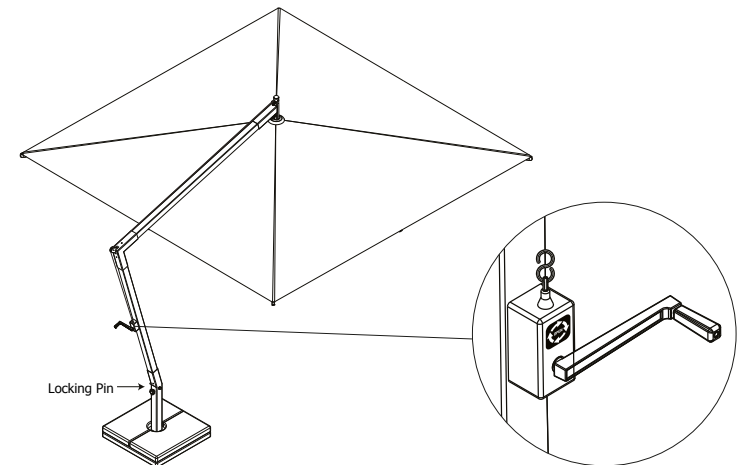


NOTE: To remove the umbrella structure from the clip bracket, use the removal stick to pull the clip bracket release ring out, and push the umbrella structure away from the clip bracket.

The umbrella structure can now be lifted up and removed from the clip bracket. Unclip the canopy cable from the winch cable and store the umbrella structure in a dry, clean place.

STEP 8:

- A Remove the protective cardboard ring from the bottom of the ribs.
- B To attach the canopy ends to the rib ends, use your fingers to pull the top half of the LOXX fastener up, and place it onto the ball stud mounted in the rib. Release the LOXX fastener. Repeat until all 8 corners are attached.

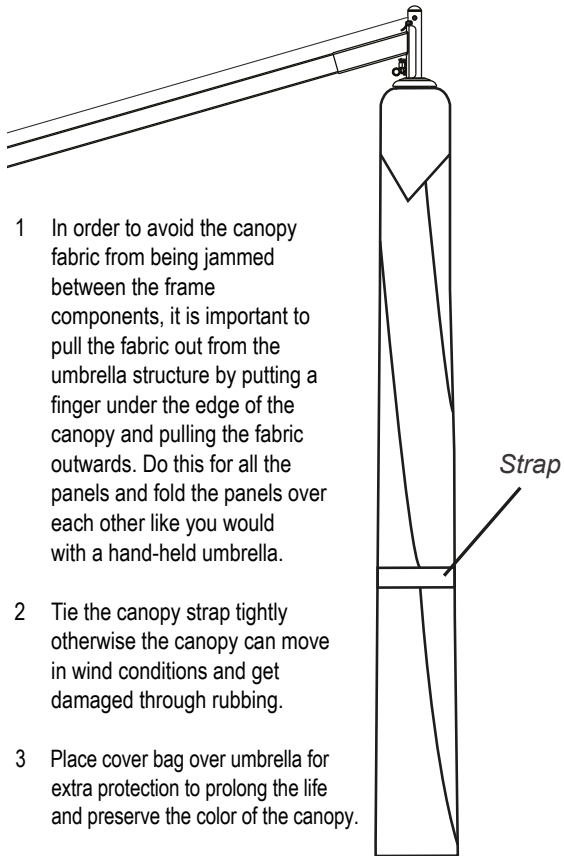
**STEP 9:**

NOTE: Before opening your umbrella structure, remove umbrella strap and pay close attention to how the canopy has been folded. It is essential to always fold the canopy in this manner with every closing to ensure fabric does not get pinched by the ribs in the collapsed position. **Not folding the canopy properly will cause abrasion to the fabric.**

The crank handle can now be used to open (turn clockwise) and close (turn anti-clockwise) the umbrella structure. The umbrella can be rotated to maximise the shade as the sun moves. Simply disengage locking pin, lift handle for rotation to horizontal and rotate umbrella.

Always ensure that the locking pin locks itself into the locked and stationary position after rotation.

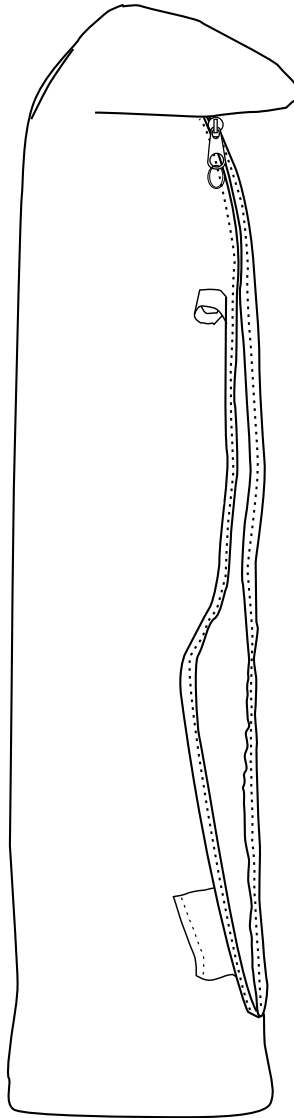
CANOPY FOLDING INSTRUCTIONS



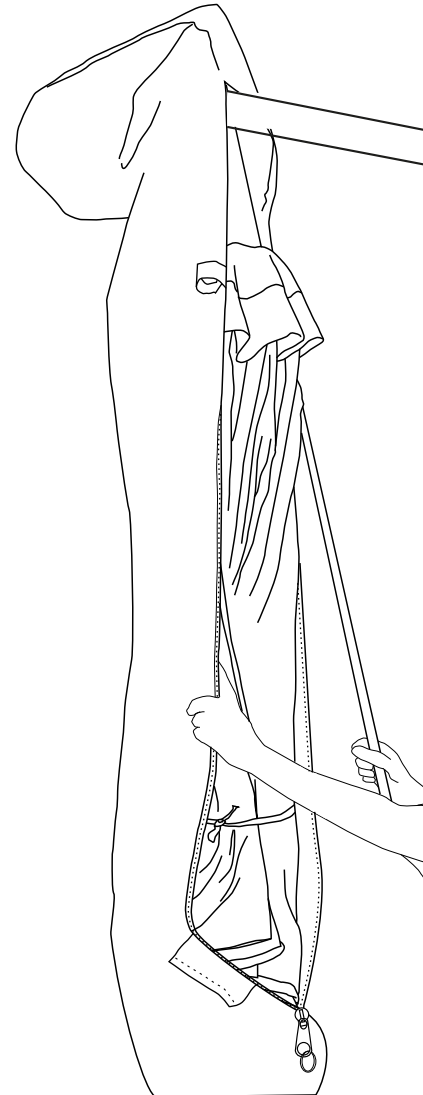
- 1 In order to avoid the canopy fabric from being jammed between the frame components, it is important to pull the fabric out from the umbrella structure by putting a finger under the edge of the canopy and pulling the fabric outwards. Do this for all the panels and fold the panels over each other like you would with a hand-held umbrella.
- 2 Tie the canopy strap tightly otherwise the canopy can move in wind conditions and get damaged through rubbing.
- 3 Place cover bag over umbrella for extra protection to prolong the life and preserve the color of the canopy.
- 4 For extra protection always ensure your umbrella is in a dry condition before closing and applying the cover bag.

Strap

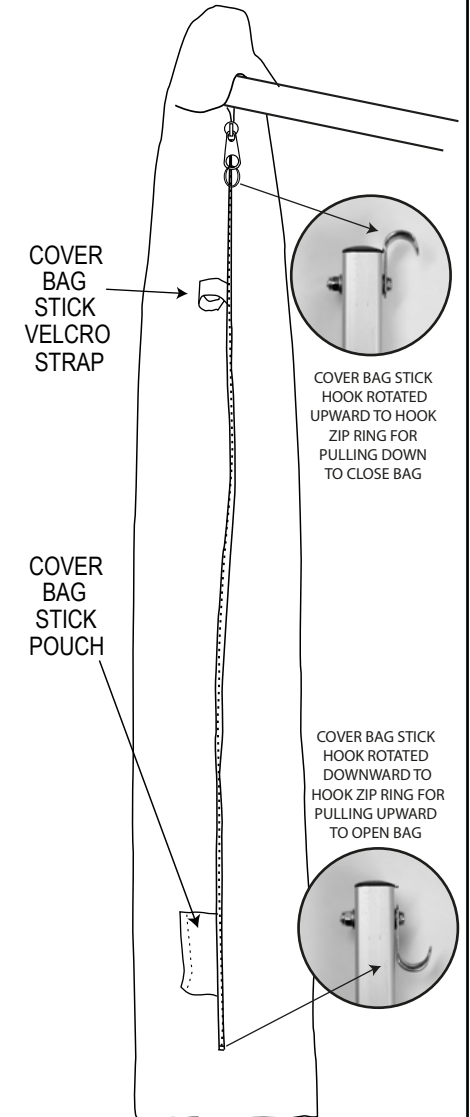
HOW TO FIT YOUR COVER BAG CORRECTLY



- 1 Lay out the cover bag flat on a table with the zip totally opened.



- 2 Insert the supplied cover bag stick into the bag all the way to the top, lift up the cover bag vertically and place it gently up and over the top of your closed umbrella.



COVER BAG STICK VELCRO STRAP

COVER BAG STICK POUCH

COVER BAG STICK HOOK ROTATED UPWARD TO HOOK ZIP RING FOR PULLING DOWN TO CLOSE BAG

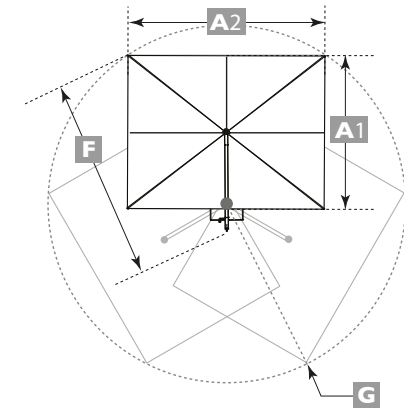
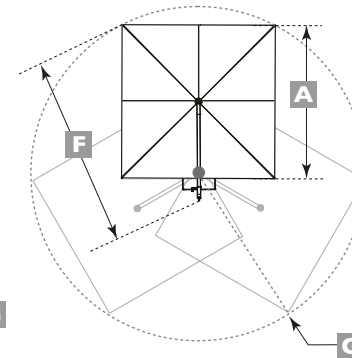
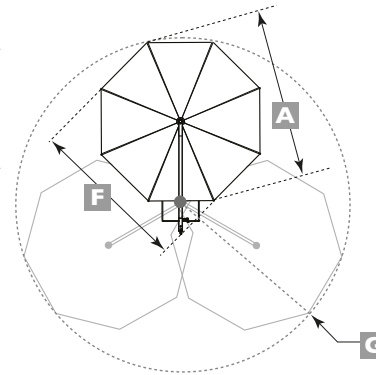
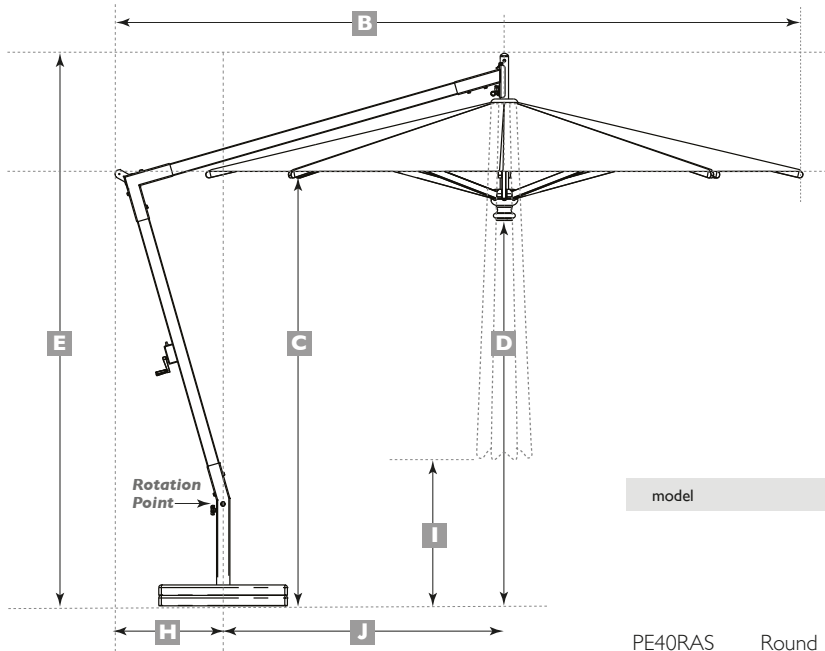
COVER BAG STICK HOOK ROTATED DOWNWARD TO HOOK ZIP RING FOR PULLING UPWARD TO OPEN BAG

- 3 Lower it into position and zip it closed completely. The cover bag stick can be placed into its pouch for safe keeping.

woodline

shade solutions

PENDULUM CANTILEVER UMBRELLA CORRECT PLACEMENT



- A** Canopy size:
Round – size is measured from tip to tip through the center
Square – size is measured from tip to tip on one side
Rectangle – size is measured from tip to tip on the long side and the short side
- B** Back of pulley to front of canopy
- C** Head clearance from arm tip
- D** Head clearance below hub
- E** Overall height
- F** Maximum distance between ends
- G*** Rotation point to farthest arm tip
- H** Minimum clearance from rotation point
- I** Ground clearance when closed
- J** Distance from rotation point to center of canopy
- Rotation point, 360 degrees

model	shape		A (size)	B	C	D	E	F	G*	H	I	J
PE40RAS	Round 8 arms & struts		13'1" 4.0 m	13'6" 4.12 m	7'4" 2.23 m	6'10" 2.08 m	10'1" 3.07 m	12'2" 3.70 m	11'8" 3.55 m	1'10" 0.55 m	2'7" 0.86 m	5'8-1/4" 1.73 m
PE35SAS	Square 8 arms & struts		11'5" 3.5 m	13'6" 4.11 m	7'9" 2.36 m	6'10" 2.08 m	10'1" 3.07 m	14'4" 4.36 m	12'8" 3.86 m	1'10" 0.55 m	1'1" 0.35 m	5'8-1/4" 1.73 m
PE34REAS	Rectangle 8 arms & struts		10' x 13'1" 3.0 x 4.0 m	12'5" 3.77 m	7'7" 2.31 m	6'9" 2.05 m	10'1" 3.07 m	13'11" 4.25 m	12'6" 3.80 m	1'10" 0.55 m	1'1" TBC	5'8-1/4" 1.73 m

*This is distance measured from the pivot point to the farthest distance from this point on the umbrella. The distance defines the radius of the circle created as the umbrella rotates 360 degrees.

All vertical measurements are taken from the ground level, including paver base.

All imperial measurements have been converted from metric and are rounded to the nearest inch. For exact dimensions refer to metric measurements.

CARE AND MAINTENANCE

Every Woodline shade solution is meticulously engineered to maximize not just their form and functions, but also to make sure that they outlast even the harshest conditions. Each item is crafted from the finest marine grade weather-resistant materials, specifically selected for their ability to endure. Though our shade solutions are built to last, the relentless and extreme nature of the outdoors dictates that proper care and maintenance will always extend the lifespan of any item.

FRAMES

Constructed from the finest quality aluminum, high grade stainless steel and durable and sustainable eucalyptus timber. Our frames have been tested in some of the world's most inhospitable environments and have only ever benefited from the appropriate application of caution and common sense in excessive wind conditions.

We advocate the use of our cover bags to prolong the life of the canopy frames and their covering fabrics. We recommend the closure and safe storage of any collapsible and removable components when the parasol is not in use or when winds are expected to exceed 24.8 mph (40 km/h).

WOODEN COMPONENTS

We only use sustainable eucalyptus timber hand-picked for its strength, weather-resistance, and replenishment efficiency from the world's finest FSC-accredited plantations and timber mills. Our wooden components are treated with marine yacht varnish to fortify them for outdoor living.

We recommend the periodic care of wooden components with a light sanding and reapplication of the varnish coating once a year to maintain the natural beauty of the wood.



FITTINGS

All fittings, nuts, bolts, pulleys and cleat components are made with high grade stainless steel and weatherproof nylon. Maintaining these fittings and components is imperative to the longevity and the proper operation of the shade system. A simple occasional fresh water rinsing will help keep them working well and looking good.

BASES

It is essential to pick the right base for your parasol, talk to our sales team to ensure that the parasol you choose has the appropriate base to keep it anchored properly.

FABRICS

Our canopies and fabric covers are made from the most durable, colorfast, and dirt-repellent fabrics in the world. That said, proper care such as storage when not in use and cleaning from time to time will undoubtedly extend their lifespan.



UV RESISTANT



WATER/STAIN RESISTANT



BREATHABLE



MOLD RESISTANT



EASY CARE



PROTECTS FROM UV

WIND GUIDELINES

*The umbrella should always be closed during very windy conditions. As with all umbrellas, common sense wind guidelines prevail: if it is too windy to enjoy sitting outside under the umbrella, the umbrella structure should be lowered, folded and secured with the strap.

*When unattended, the umbrella structure should always be left in the closed position with the canopy folded properly, securely strapped with the cover bag placed over the umbrella.

*The umbrella structure must always be lowered, properly folded and strapped during heavy rains, thunderstorms, hail or any other severe weather conditions. Always anticipate to give time to properly fold the canopy, as during severe conditions if not folded properly, the fabric may become damaged.

*If very extreme weather conditions are anticipated, the umbrella structure should first be lowered, folded properly, strapped and placed in the cover bag. Then the entire umbrella structure should be removed from the base and stored in a clean, dry location.