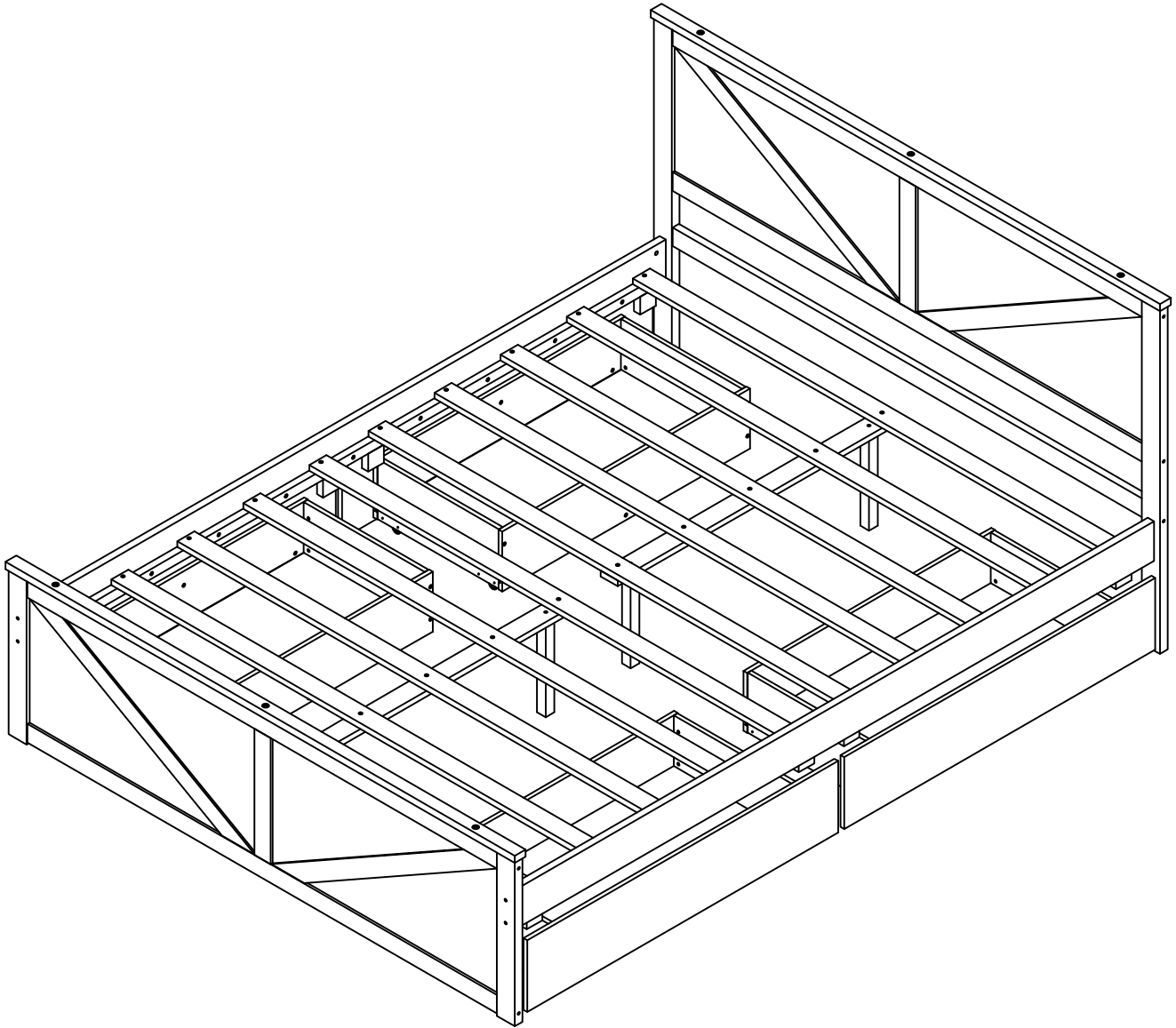
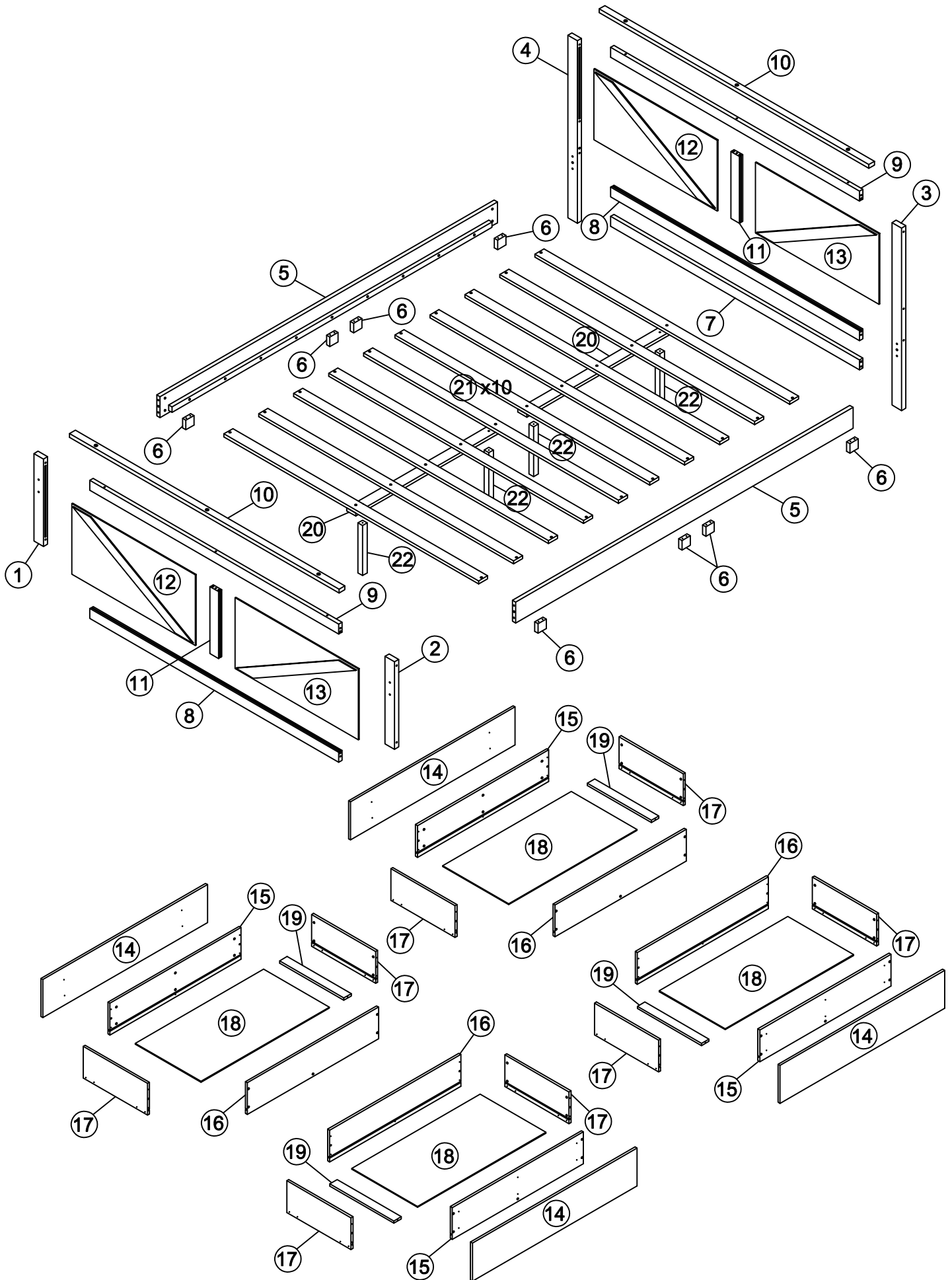


# ASSEMBLY INSTRUCTIONS

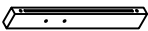
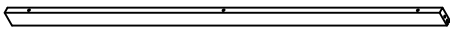
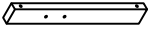

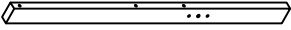

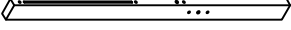
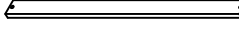
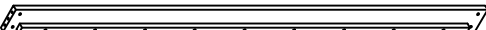

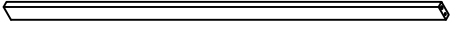
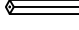
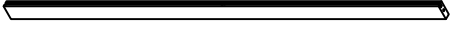
## BED WITH 4 DRAWERS





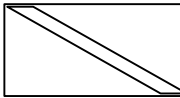

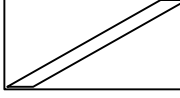
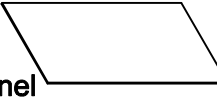

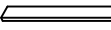
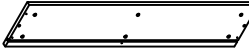
# ASSEMBLY INSTRUCTIONS



# ASSEMBLY INSTRUCTIONS










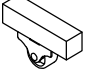




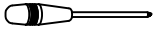
<b>1</b>	Leg		1pc		<b>9</b>	Headboard panel		2pcs
<b>2</b>	Leg		1pc		<b>10</b>	Headboard panel		2pcs
<b>3</b>	Leg		1pc		<b>11</b>	Headboard panel		2pcs
<b>4</b>	Leg		1pc		<b>20</b>	Center rails		2pcs
<b>5</b>	Side rails		2pcs		<b>21</b>	Slats		10pcs
<b>7</b>	Headboard panel		1pc		<b>22</b>	Center rails legs support		4pcs
<b>8</b>	Headboard panel		2pcs					

## (Hardware in this SKU)

<b>6</b>	Drawers stopper		8pcs		<b>16</b>	Back drawers panel		4pcs
<b>12</b>	Headboard frames		2pcs		<b>17</b>	Side drawers panel		8pcs
<b>13</b>	Headboard frames		2pcs		<b>18</b>	Bottom drawers panel		4pcs
<b>14</b>	Front drawers panel		4pcs		<b>19</b>	Drawers support		4pcs
<b>15</b>	Front drawers panel		4pcs					

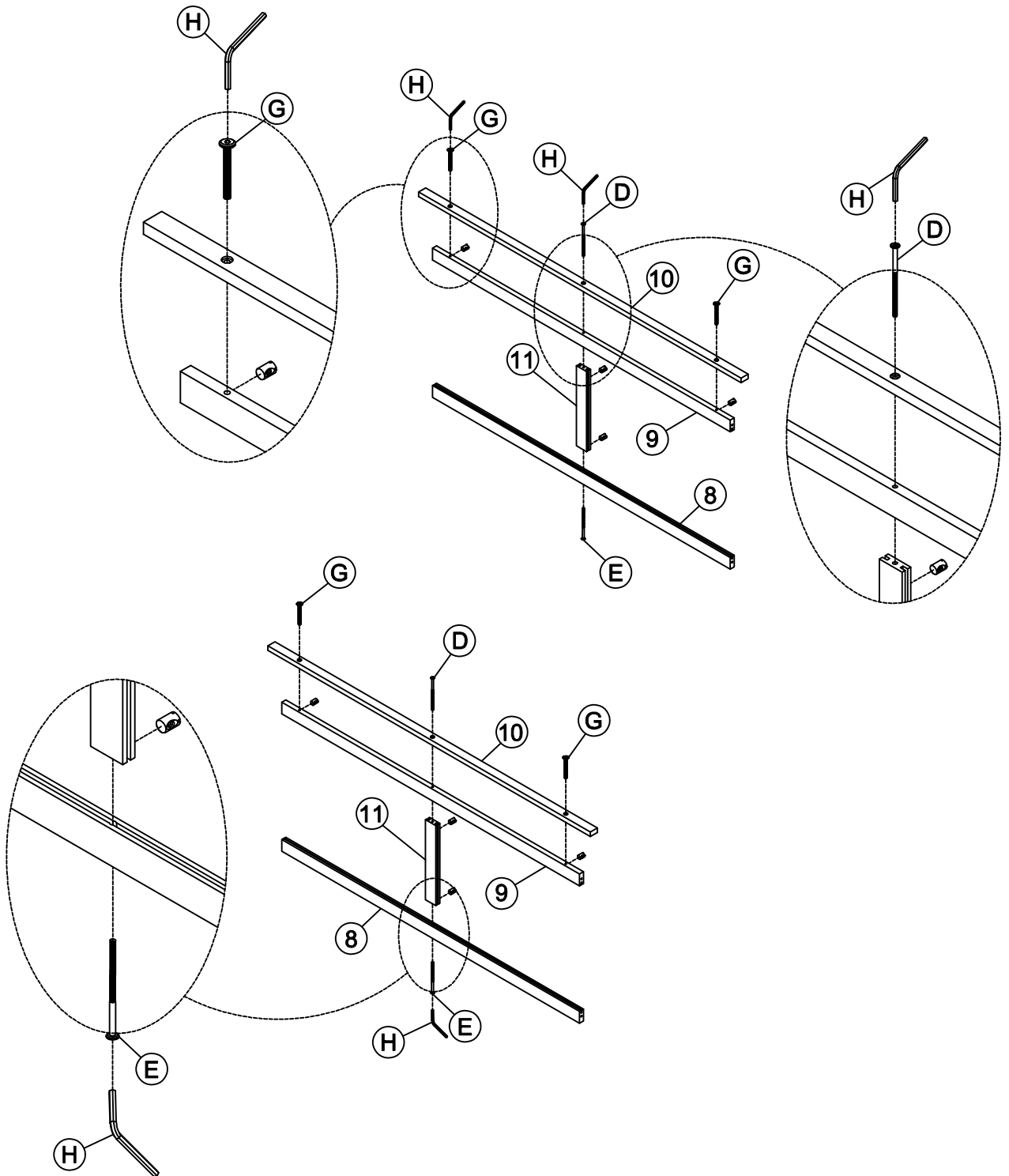
# ASSEMBLY INSTRUCTIONS


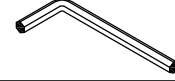


## (Hardware in this SKU)

<b>A</b>	Ø4x30		78PCS		<b>H</b>	4x58		1PC
<b>B</b>	Ø4x20		24PCS		<b>I</b>	Ø10x40		6PCS
<b>C</b>	Ø4x38		40PCS		<b>J</b>	Ø8x30		16PCS
<b>D</b>	1/4x110		2PCS		<b>K</b>	6.5x50		4PCS
<b>E</b>	1/4x100		12PCS		<b>L</b>			16PCS
<b>F</b>	1/4x65		8PCS		<b>M</b>	1/4x25		4PCS
<b>G</b>	1/4x50		4PCS		<b>N</b>	9x10		40PCS
	Phillip head screw Not include							

# ASSEMBLY INSTRUCTIONS

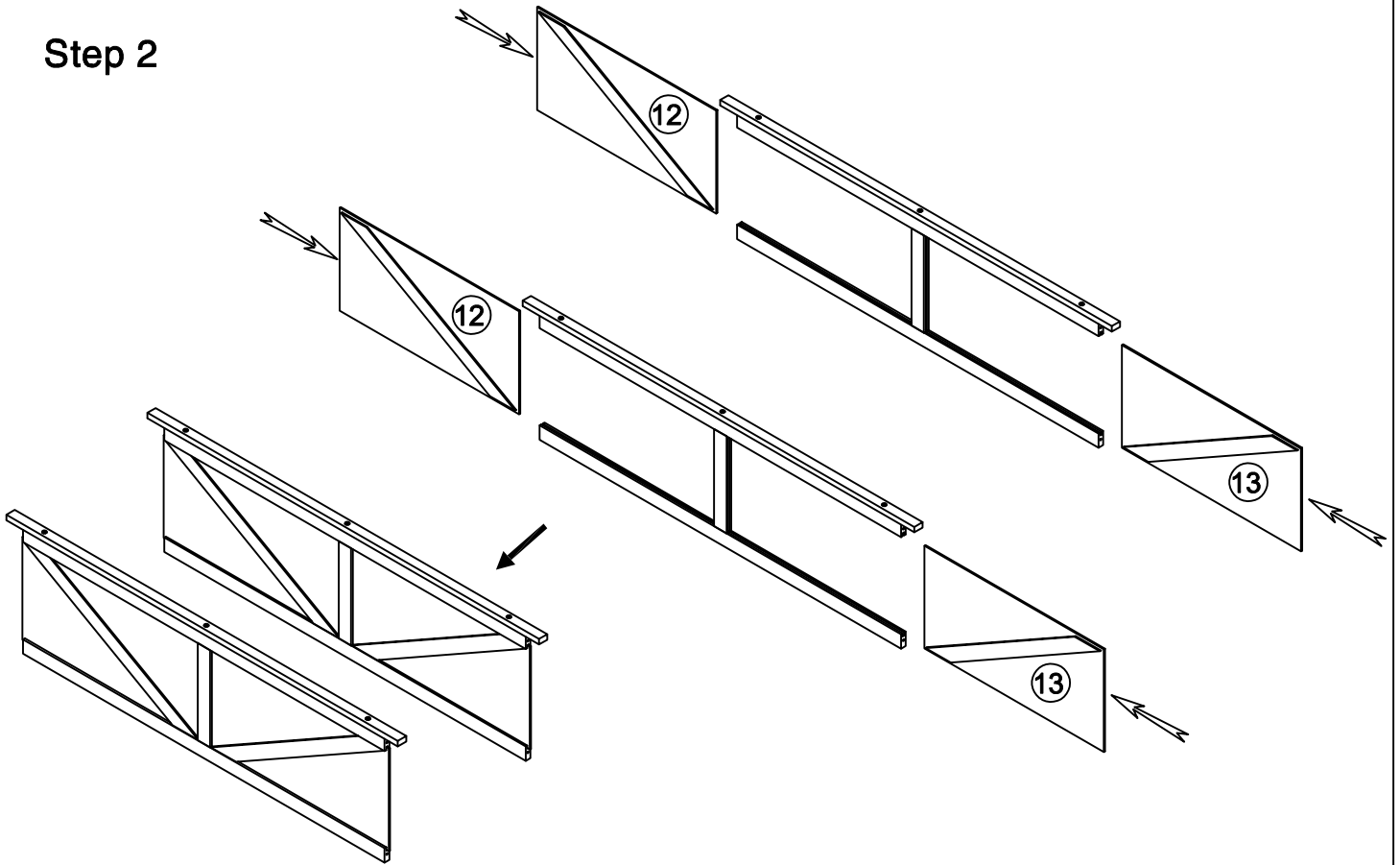
## Step 1



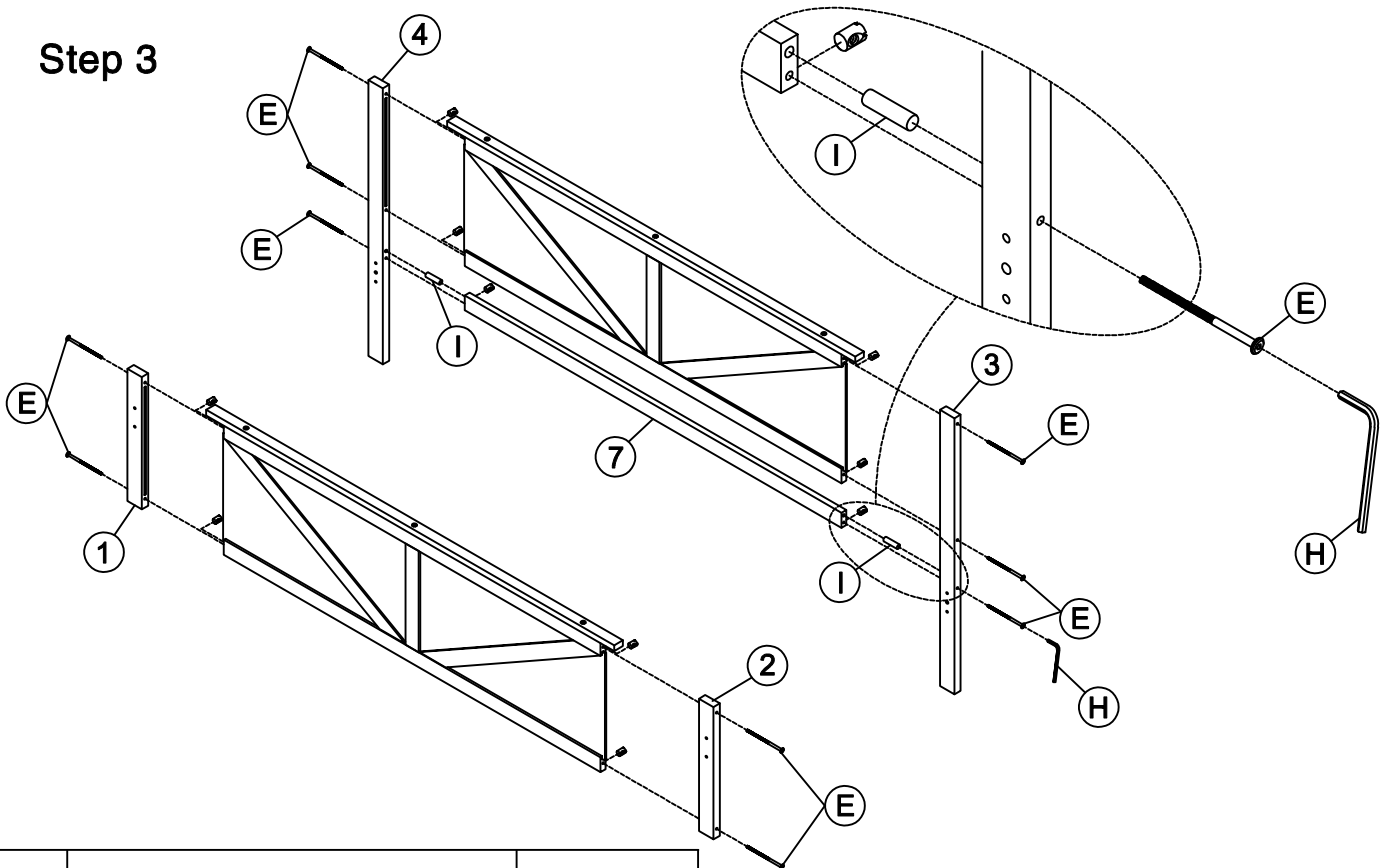
<b>E</b>	1/4x100 	2PCS	<b>H</b>	4x58 	1PC
<b>D</b>	1/4x110 	2PCS	<b>G</b>	1/4x50 	4PCS

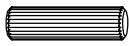


# ASSEMBLY INSTRUCTIONS

Step 2



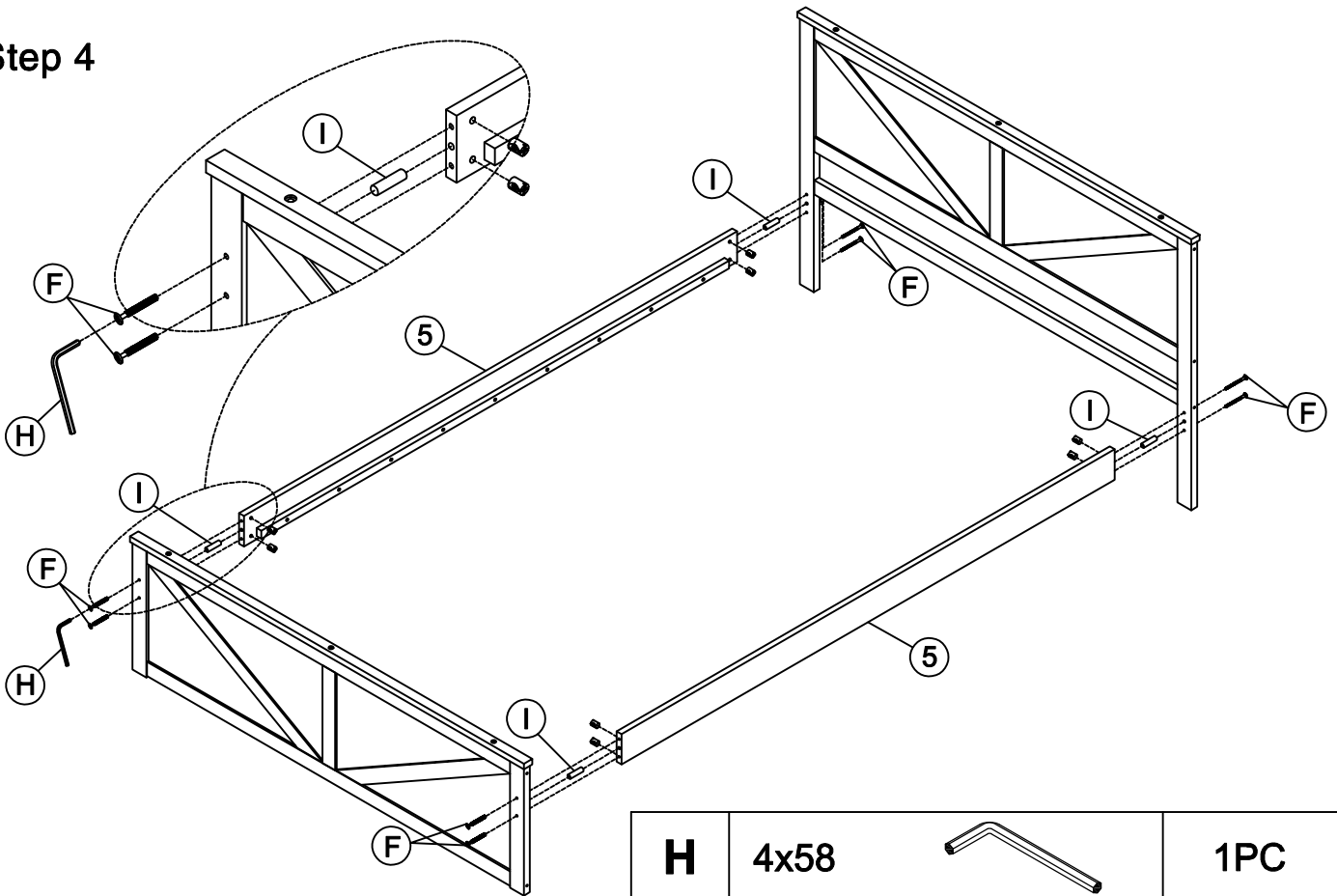
Step 3






<b>I</b>	Ø10x40 	2PCS			
<b>E</b>	1/4x100 	10PCS	<b>H</b>	4x58 	1PC

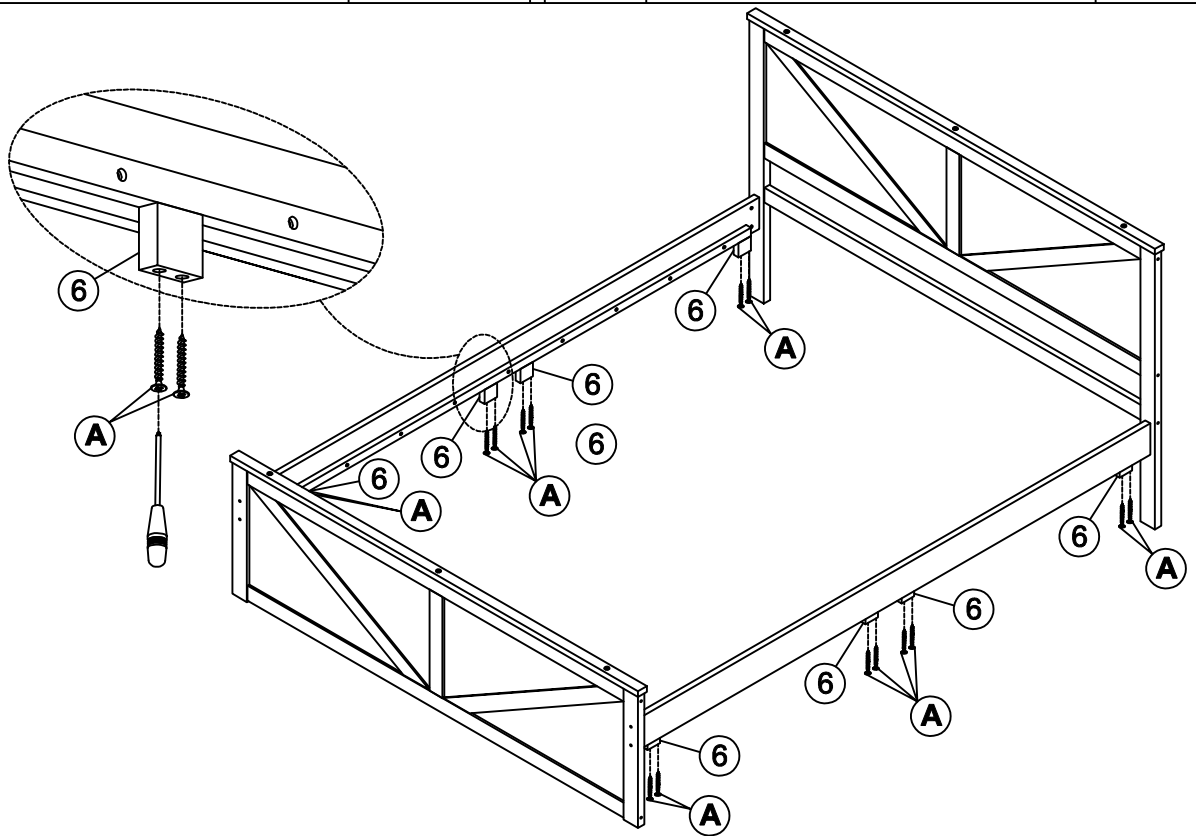
# ASSEMBLY INSTRUCTIONS


## Step 4



<b>H</b>	4x58		1PC
<b>F</b>	1/4x65		8PCS
<b>I</b>	Ø10x40		4PCS

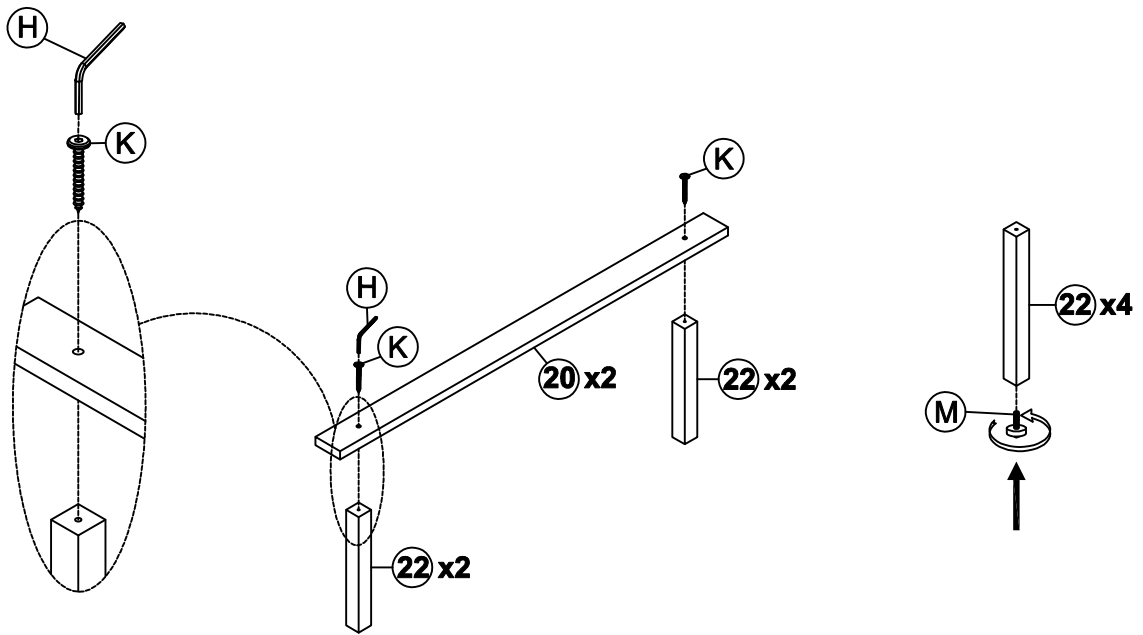
## Step 5






<b>A</b>	Ø4x30		16PCS
----------	-------	---------------------------------------------------------------------------------------	-------

# ASSEMBLY INSTRUCTIONS

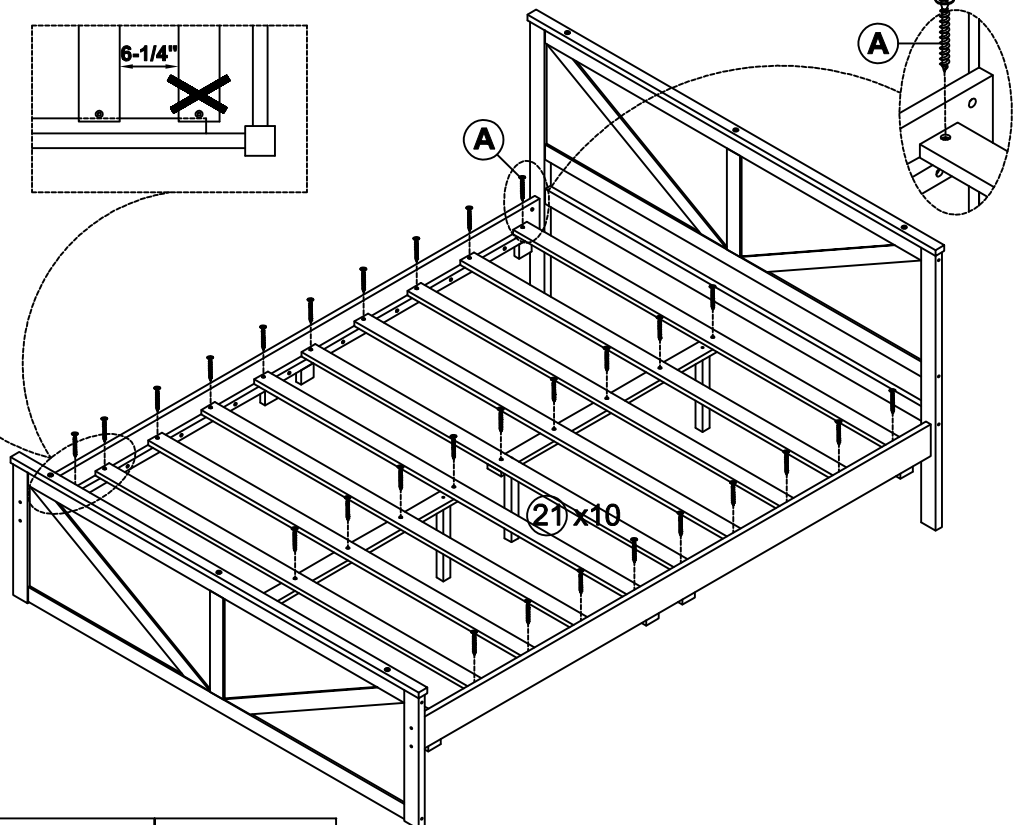
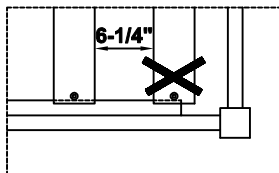
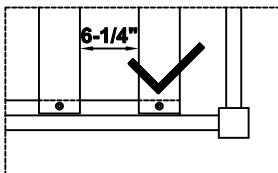
## Step 6

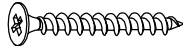


				<b>M</b>	1/4x25		4PCS
<b>K</b>	6.5x50		4PCS	<b>H</b>	4x58		1PC

## Step 7

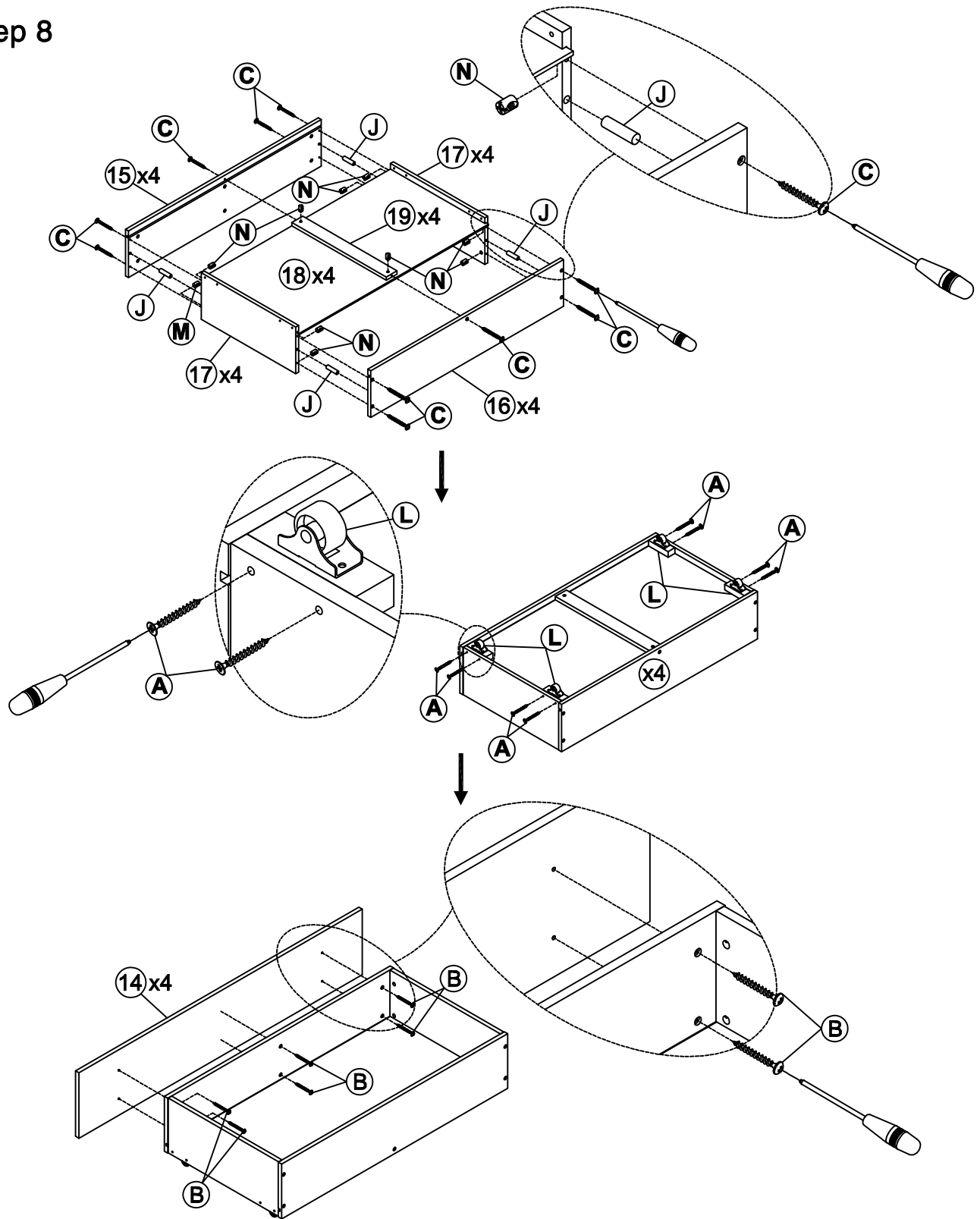
First attach 2pcs part 21 to the front and end of the frame between headboard. Then attach the remaining part 21 equidistantly between headboard




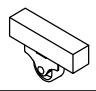




<b>A</b>	Ø4x30		30PCS
----------	-------	-------------------------------------------------------------------------------------	-------

# ASSEMBLY INSTRUCTIONS

## Step 8



<b>A</b>	Ø4x30		32PCS	<b>N</b>	9x10		40PCS
<b>B</b>	Ø4x20		24PCS	<b>L</b>			16PCS
<b>C</b>	Ø4x38		40PCS	<b>J</b>	Ø8x30		16PCS

# ASSEMBLY INSTRUCTIONS

Step 9

