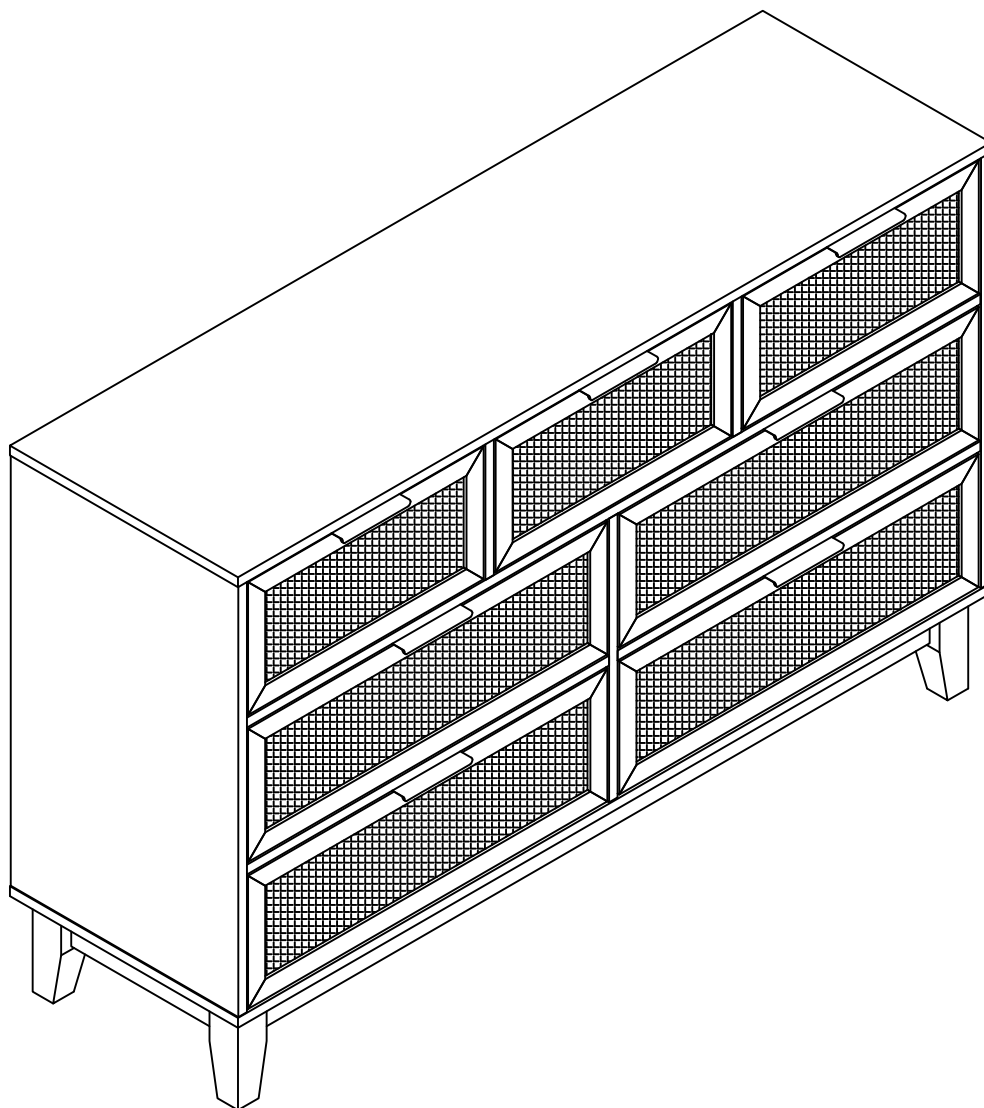
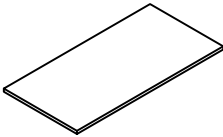
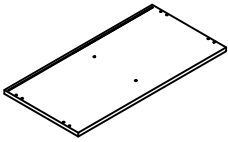
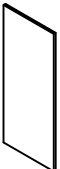

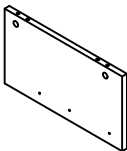
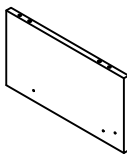
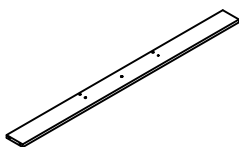
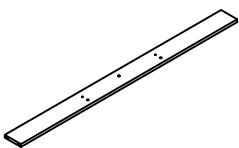
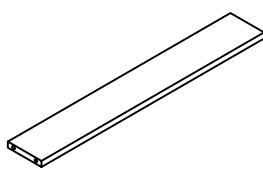

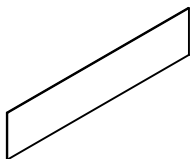
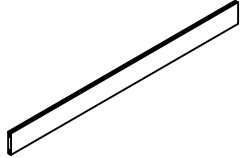

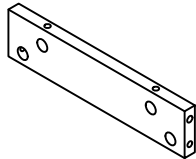
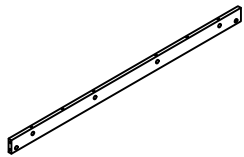
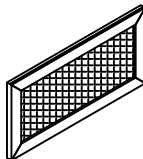
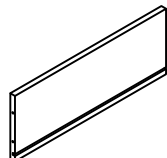
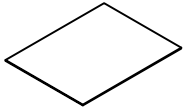
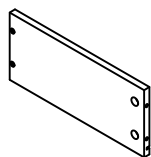
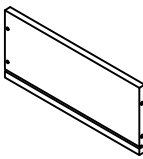
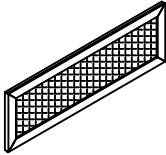
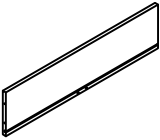
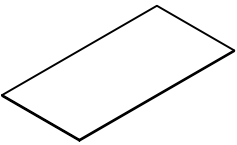


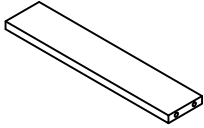
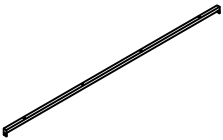
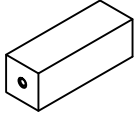
# Installation & Assembly


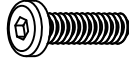
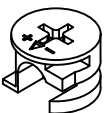
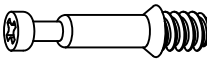






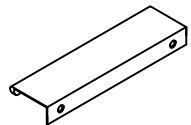


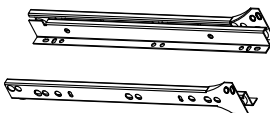
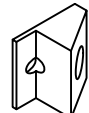



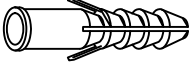
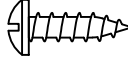
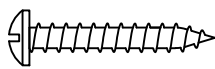
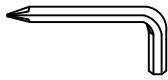

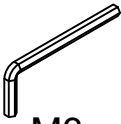
#		QTY
①		1
②		1
③		1
④		1
⑤		1
⑥		1
⑦		1
⑧		1
⑨		2
⑩		1



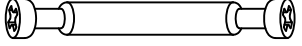
#		QTY
⑪		2
⑫		1
⑬		4
⑭		2
⑮		2
⑯		3
⑰		3
⑱		3
⑲		7
⑳		7

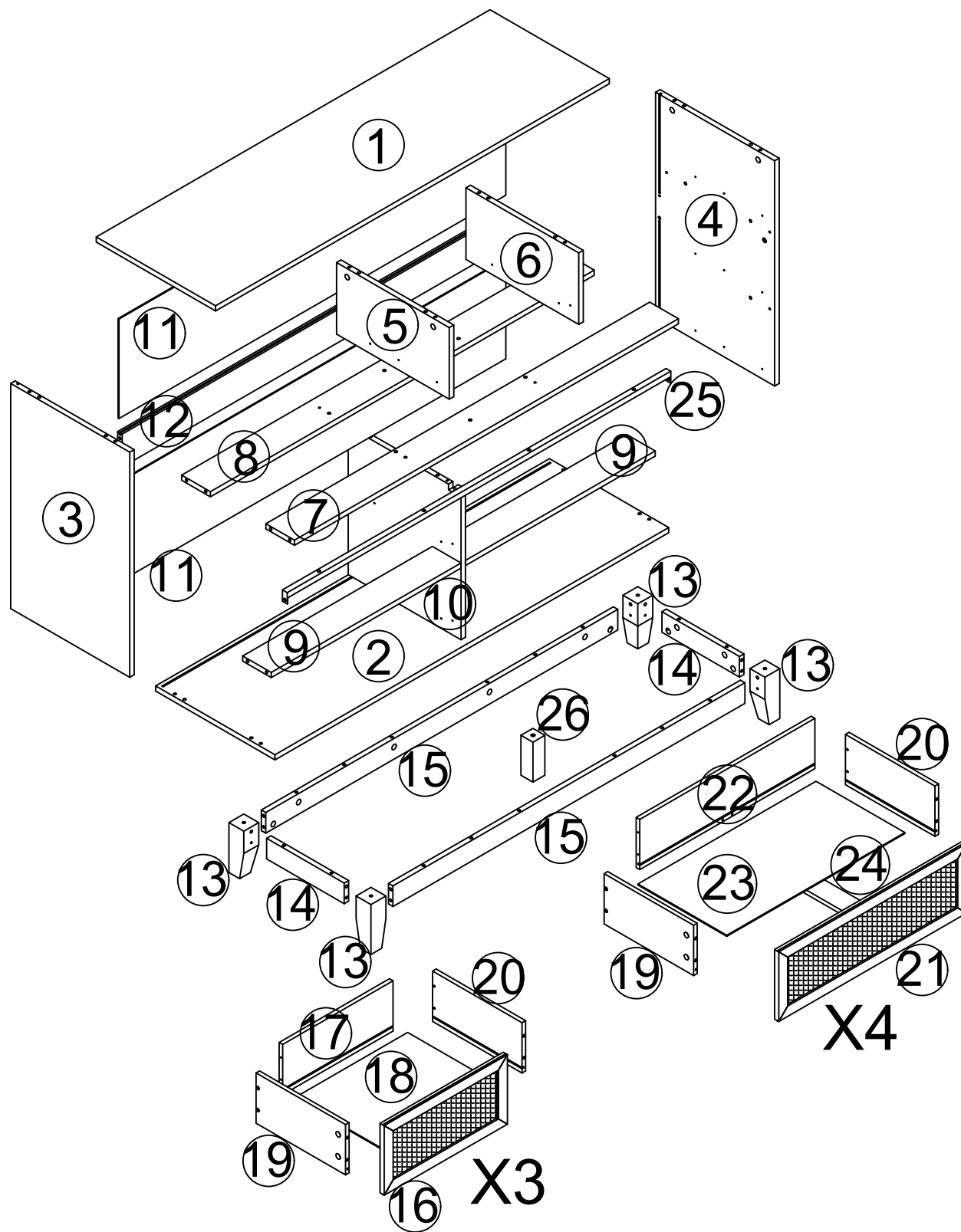
#		QTY
21		4
22		4
23		4

#		QTY
24		4
25		1
26		1

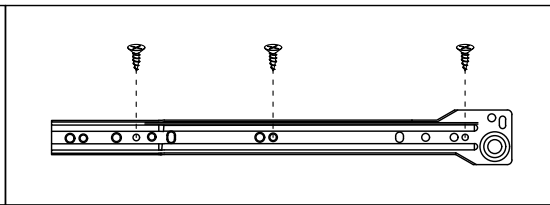
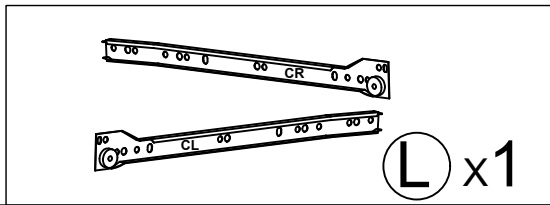
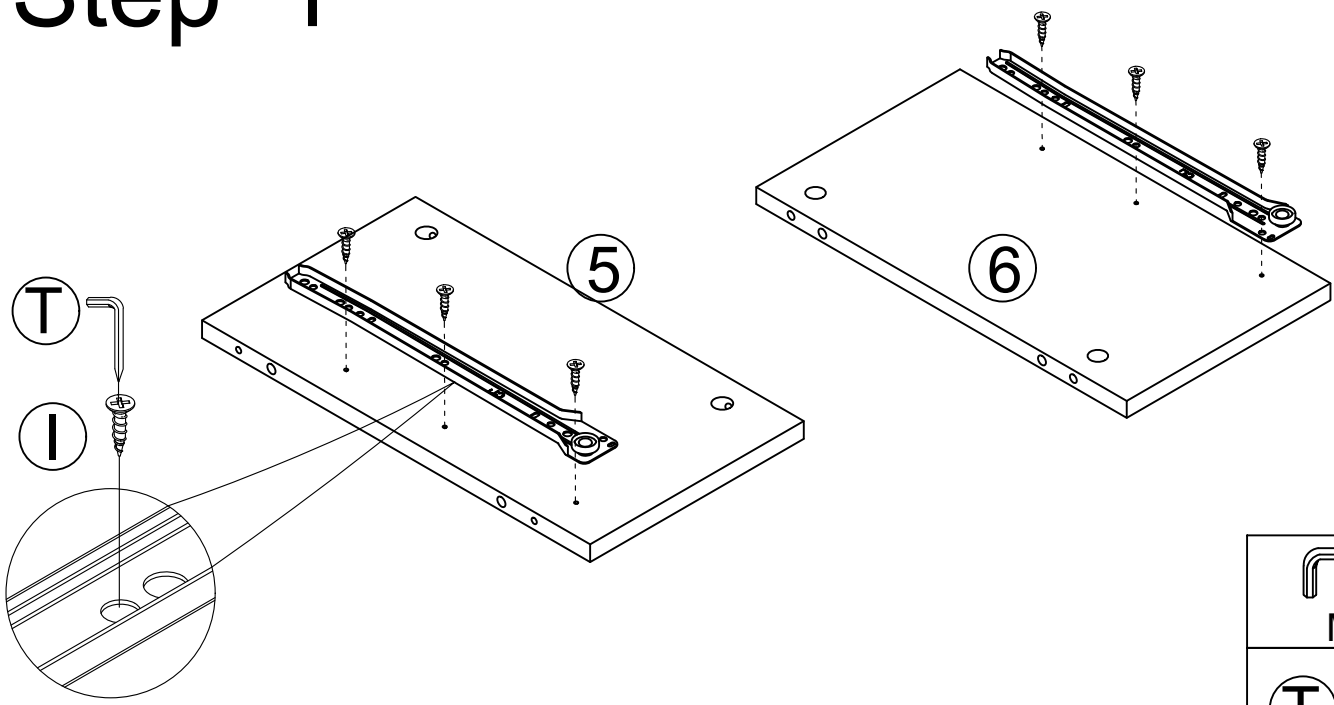
#		QTY
A	 M6*12mm	2
B	 M6*25mm	4
C	 φ15 x 9mm	70+2
D	 φ6 x 35mm	68+2
E	 φ6 x 30mm	4
F	 φ8 x 30mm	44+2
G	 M5*48mm	12+1
H	 M4*25mm	36+2
I	 φ3.5 x 12mm	70+2
J	 φ3.5 x 12mm	14+1
K		7





#		QTY
L	 L300mm	7
M	 15*15*10mm	12+1
N	 M3*16mm	12+1
O	 M6*18mm	5
P	 190*20mm	2
Q	 φ8 x 40mm	2
R	 M4*15mm	2
S	 M4*38mm	2
T	 M4	1
U	 Ø30mm	70+2
V	 M3	1

#		QTY	#		QTY
W	 ø8 x 50mm	1	Z	 M6*30mm	1
Y	 ø6 x 64mm	1			

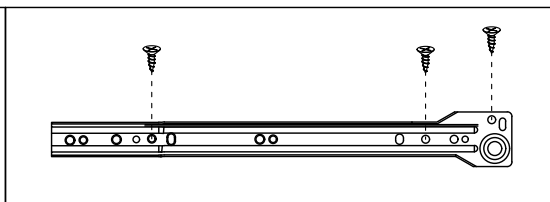
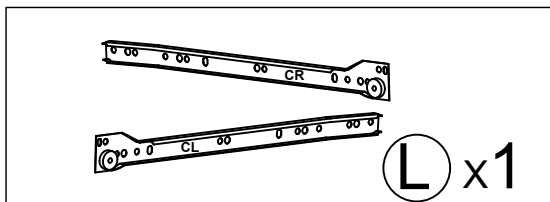
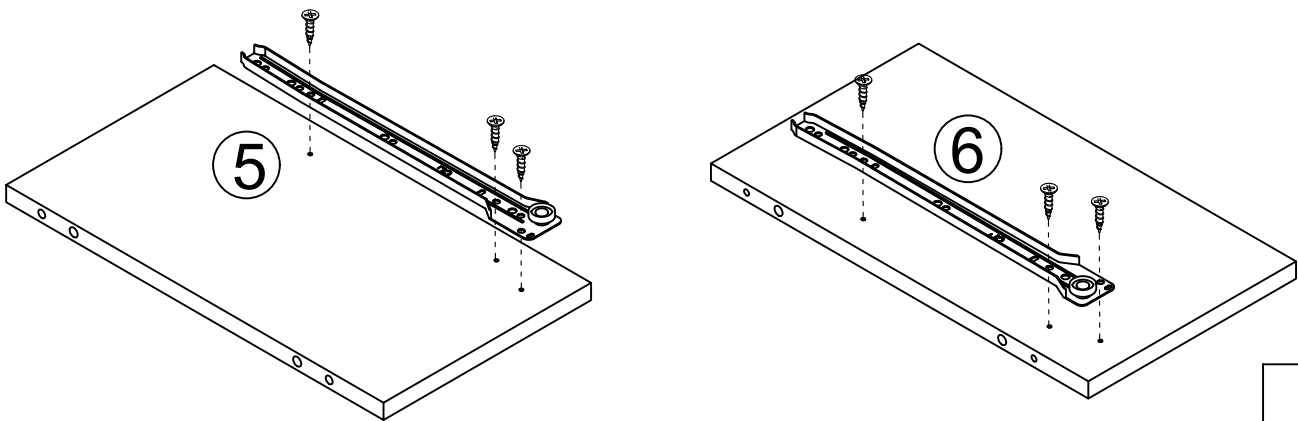


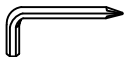

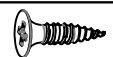

# Step 1



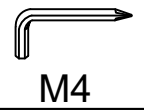
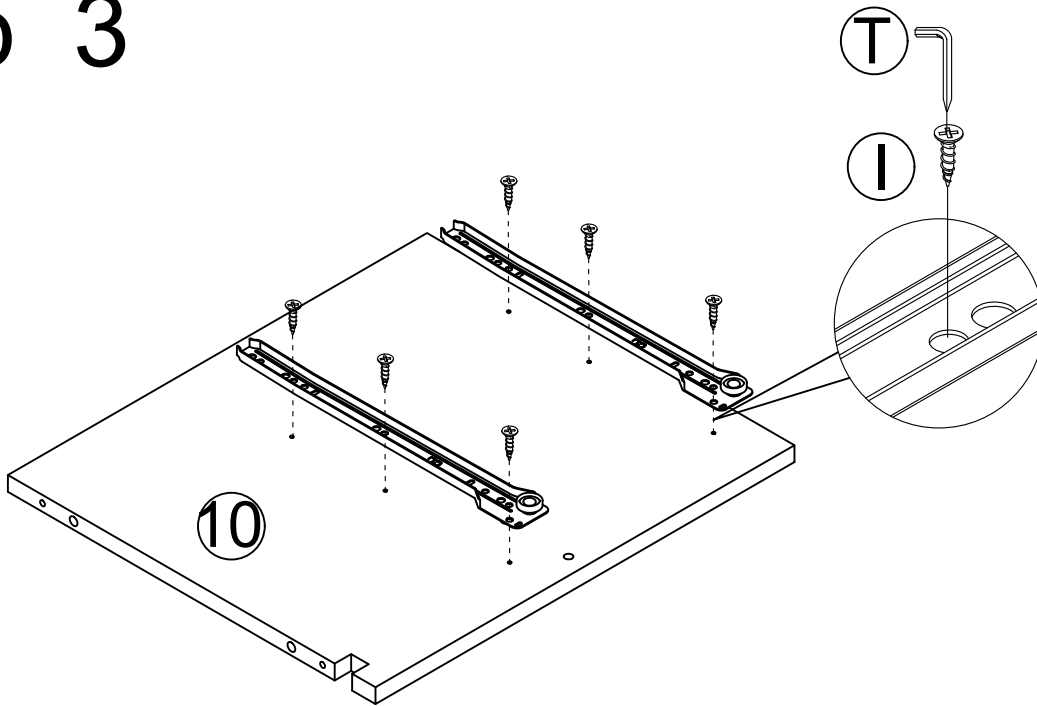
 M4
 x 1
 φ3.5 x 12mm
 x 6

# Step 2



 M4
 x 1
 φ3.5 x 12mm
 x 6

# Step 3



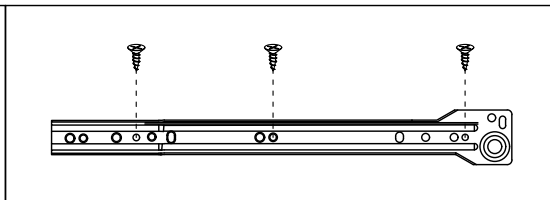
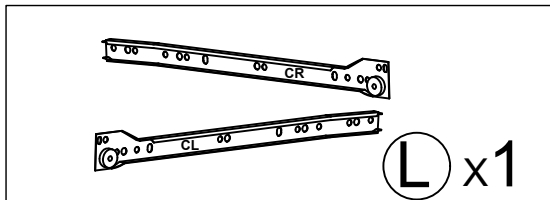
M4

T x 1

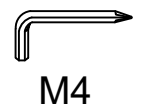
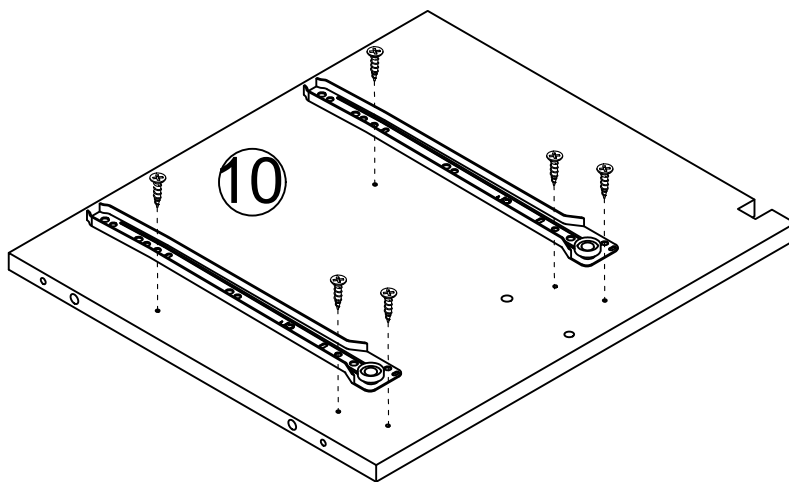


ø3.5 x 12mm

I x 6



# Step 4



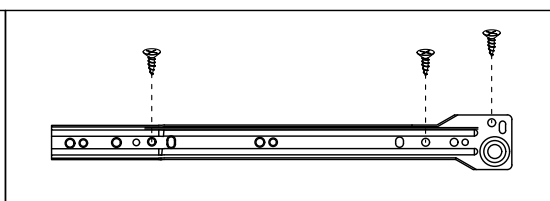
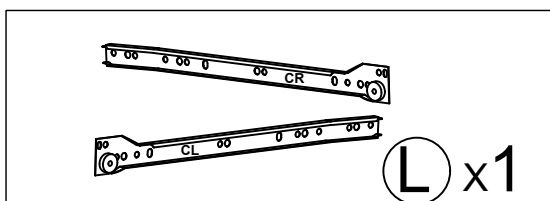
M4

T x 1

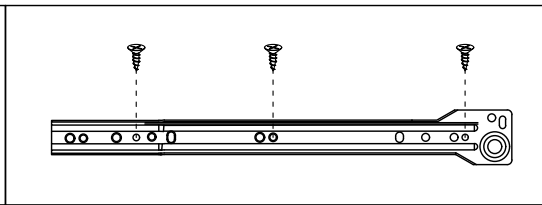
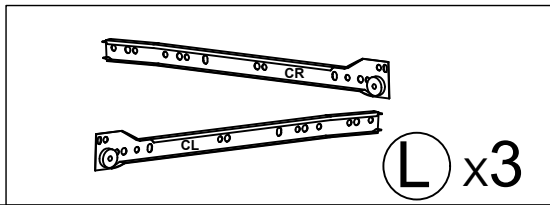
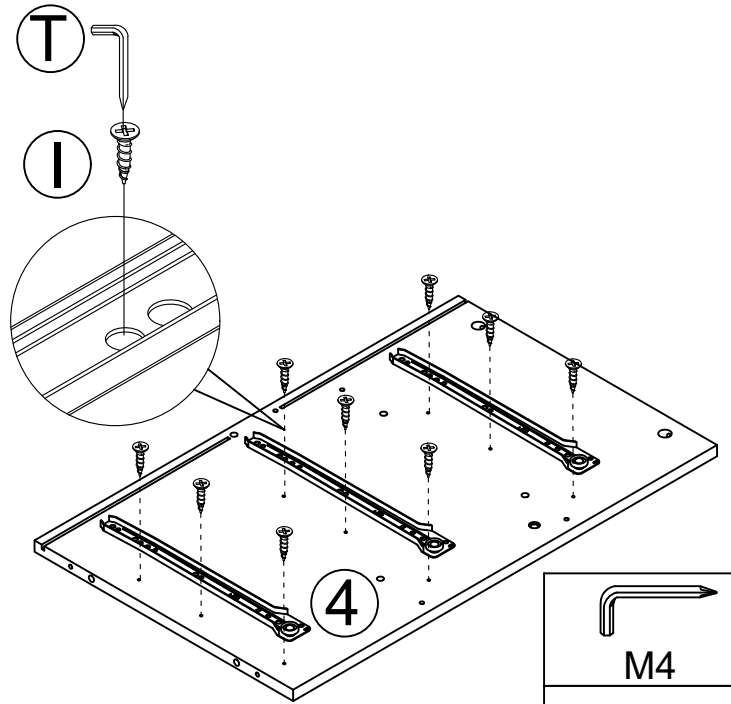
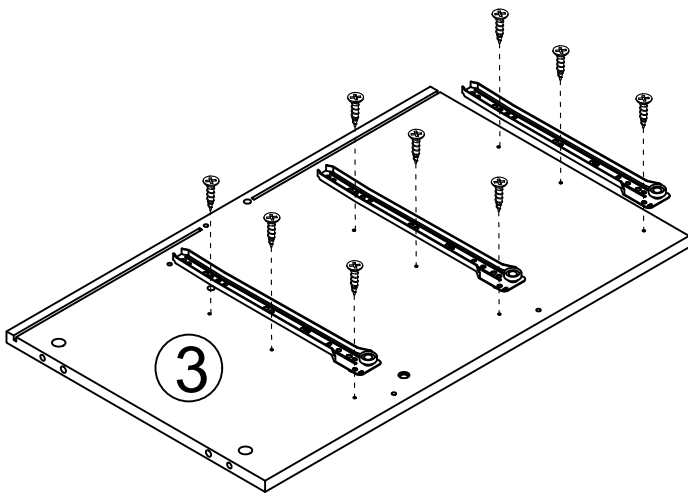


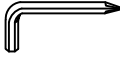

ø3.5 x 12mm

I x 6

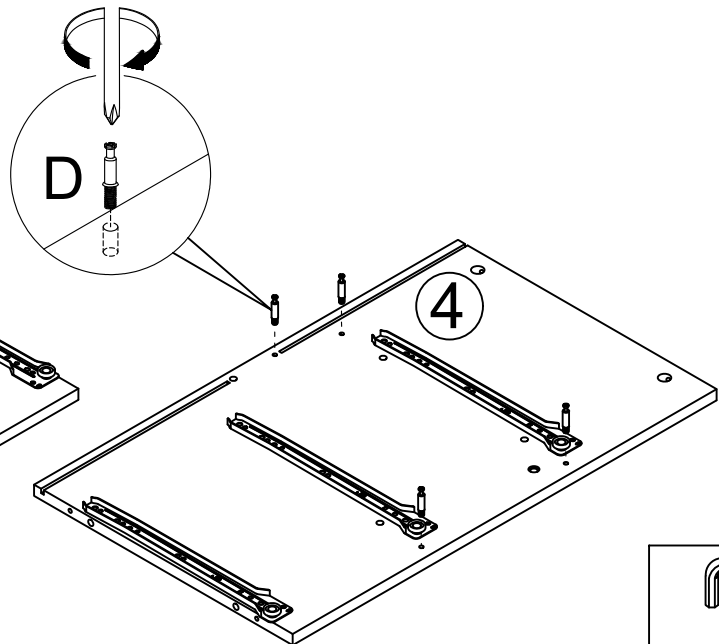
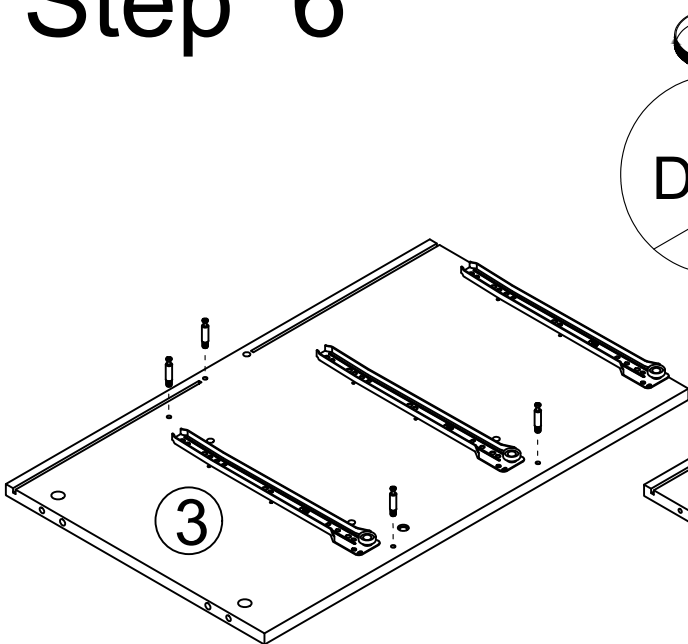



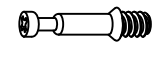
# Step 5



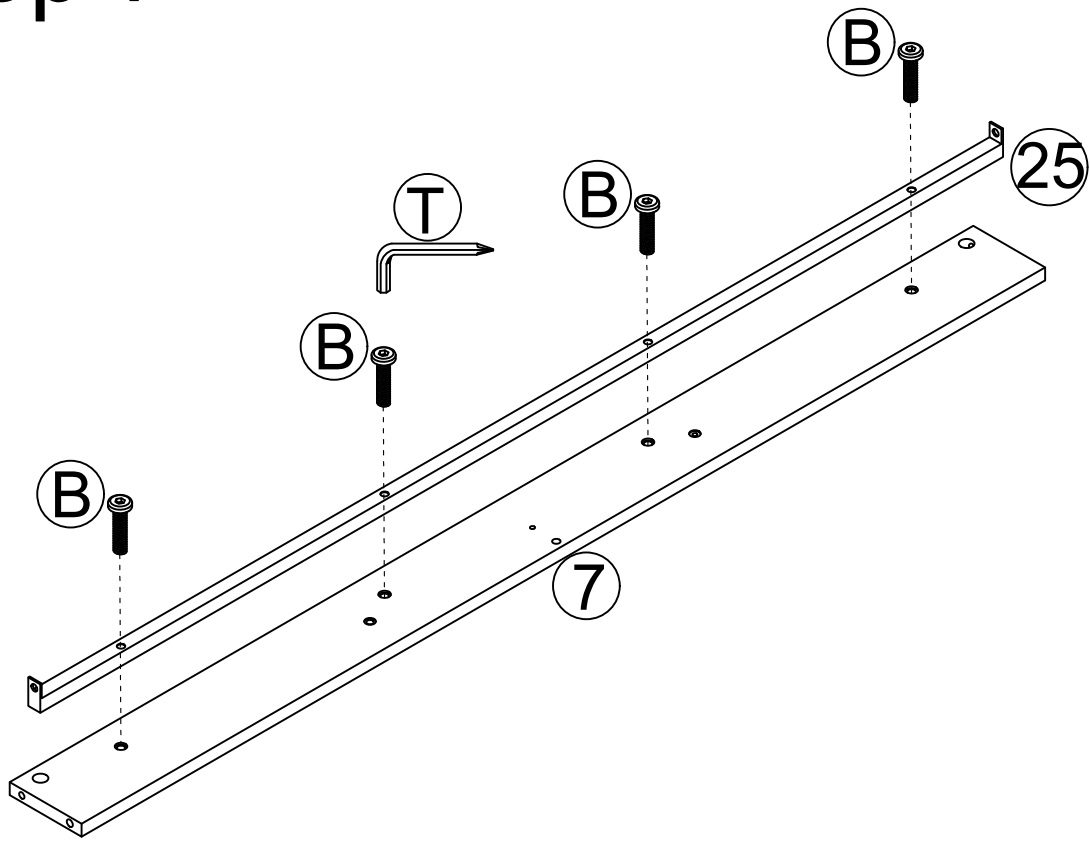
	M4
<b>T</b>	x 1
	ø3.5 x 12mm
<b>I</b>	x18

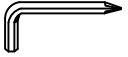

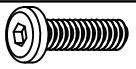

# Step 6



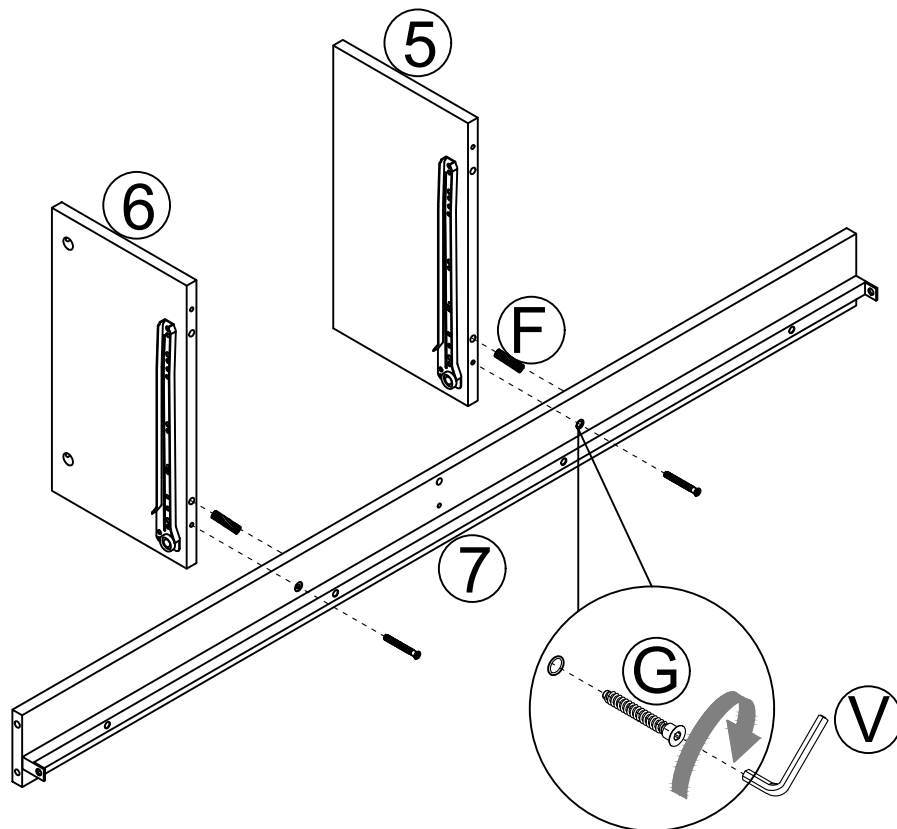
	M4
<b>T</b>	x 1
	ø6 x 35mm
<b>D</b>	x8





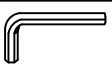

# Step 7



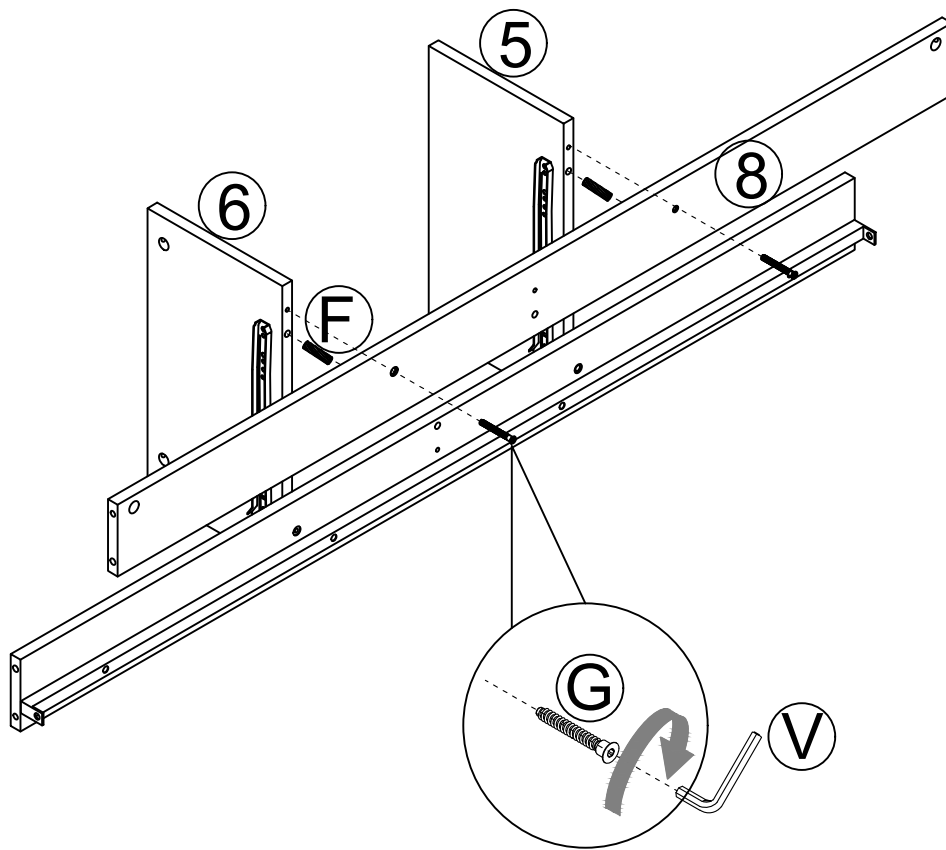

M4


M6*25mm

x 4




# Step 8



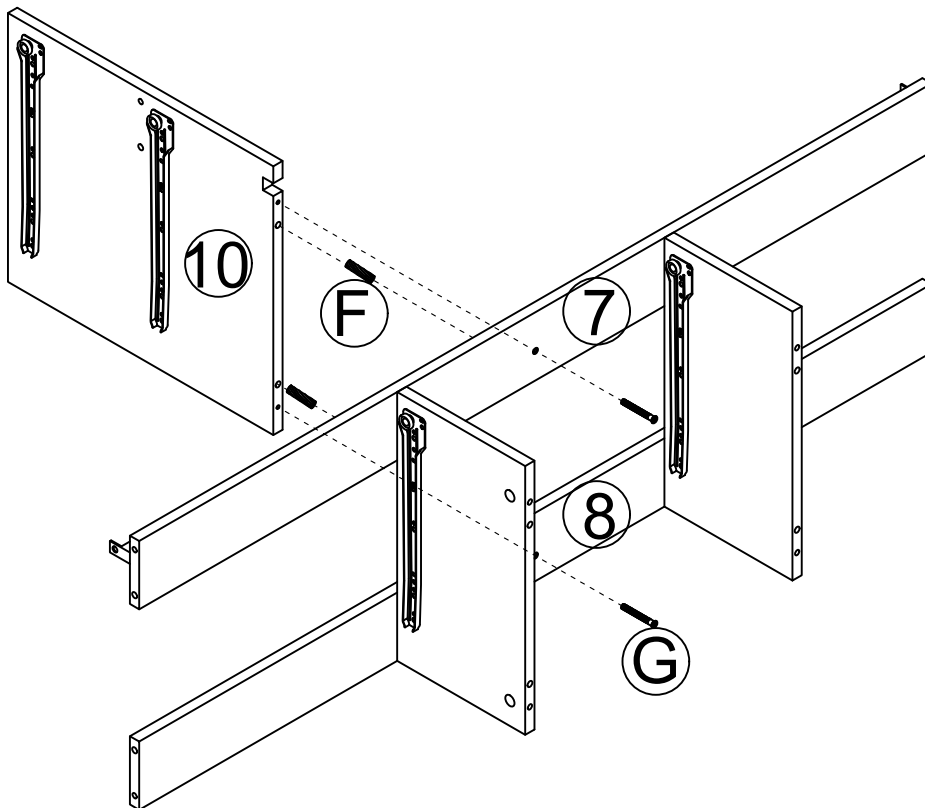

M5*48mm

x 2

ø8 x 30mm

x 2

M3

x 1



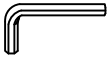
# Step 9



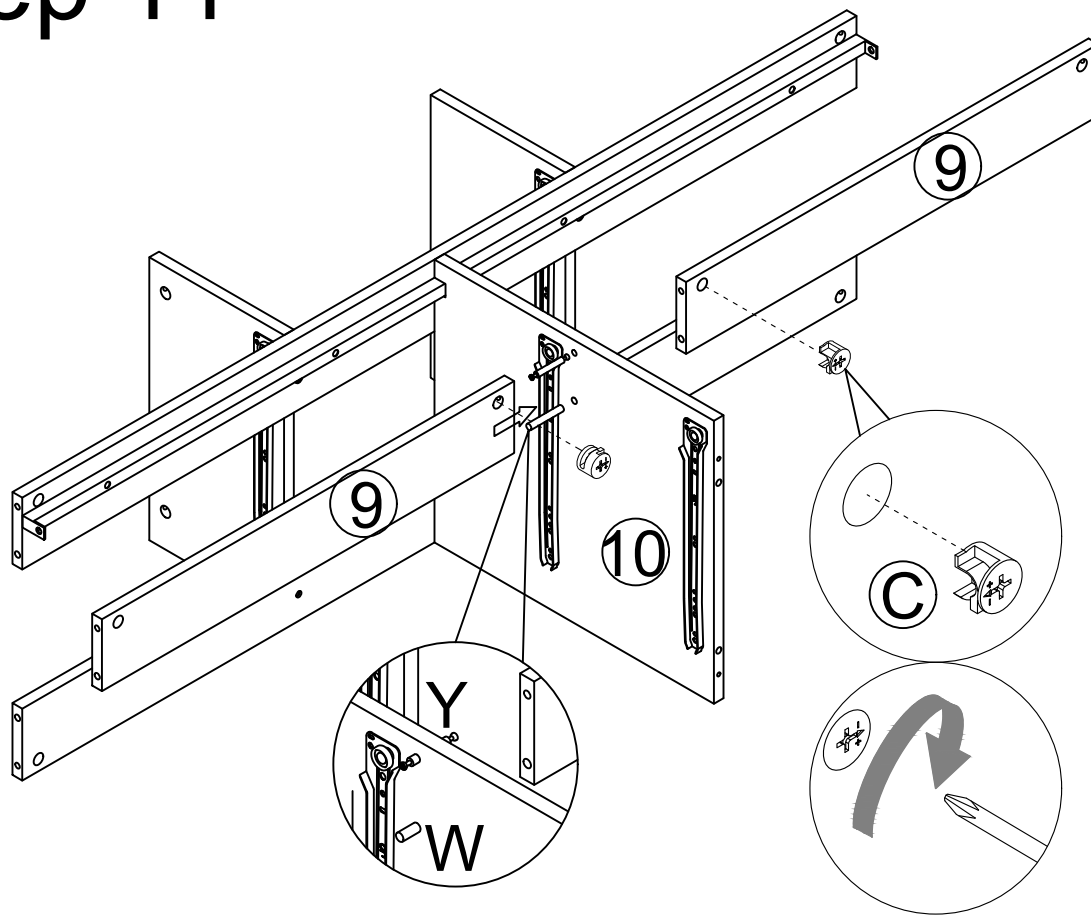

M5*48mm
<b>G</b> x 2

φ8 x 30mm
<b>F</b> x 2

M3
<b>V</b>

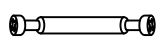


# Step 10



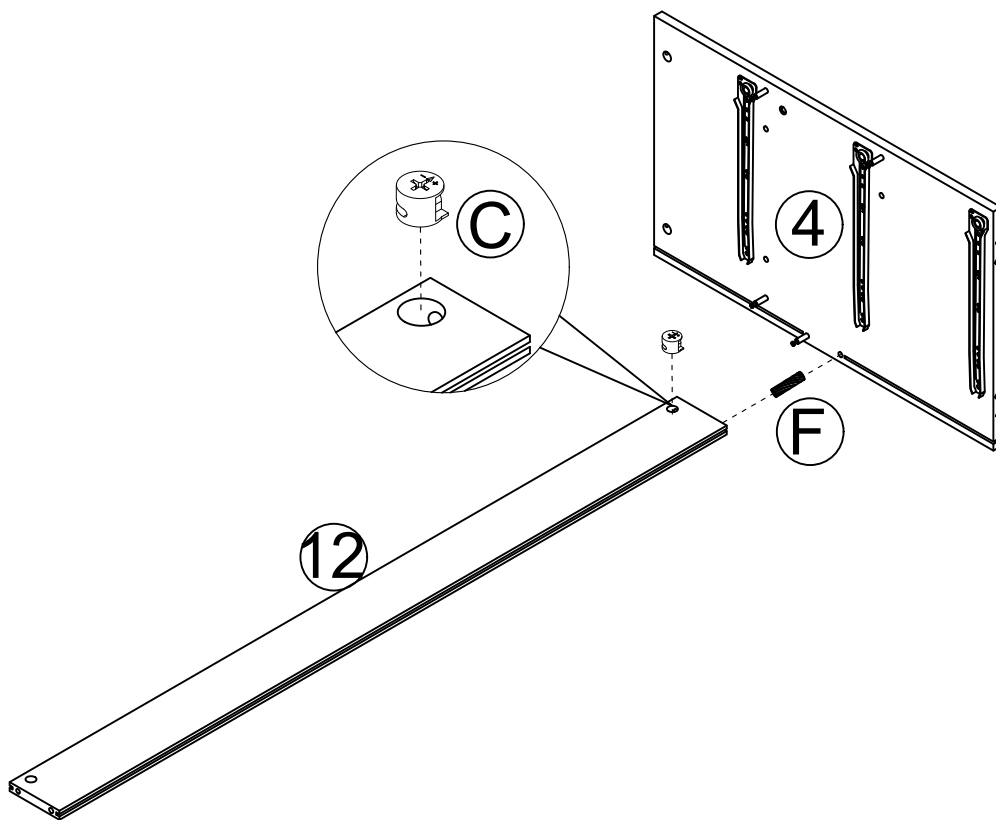

M5*48mm
<b>G</b> x 2

φ8 x 30mm
<b>F</b> x 2

M3
<b>V</b>



# Step 11



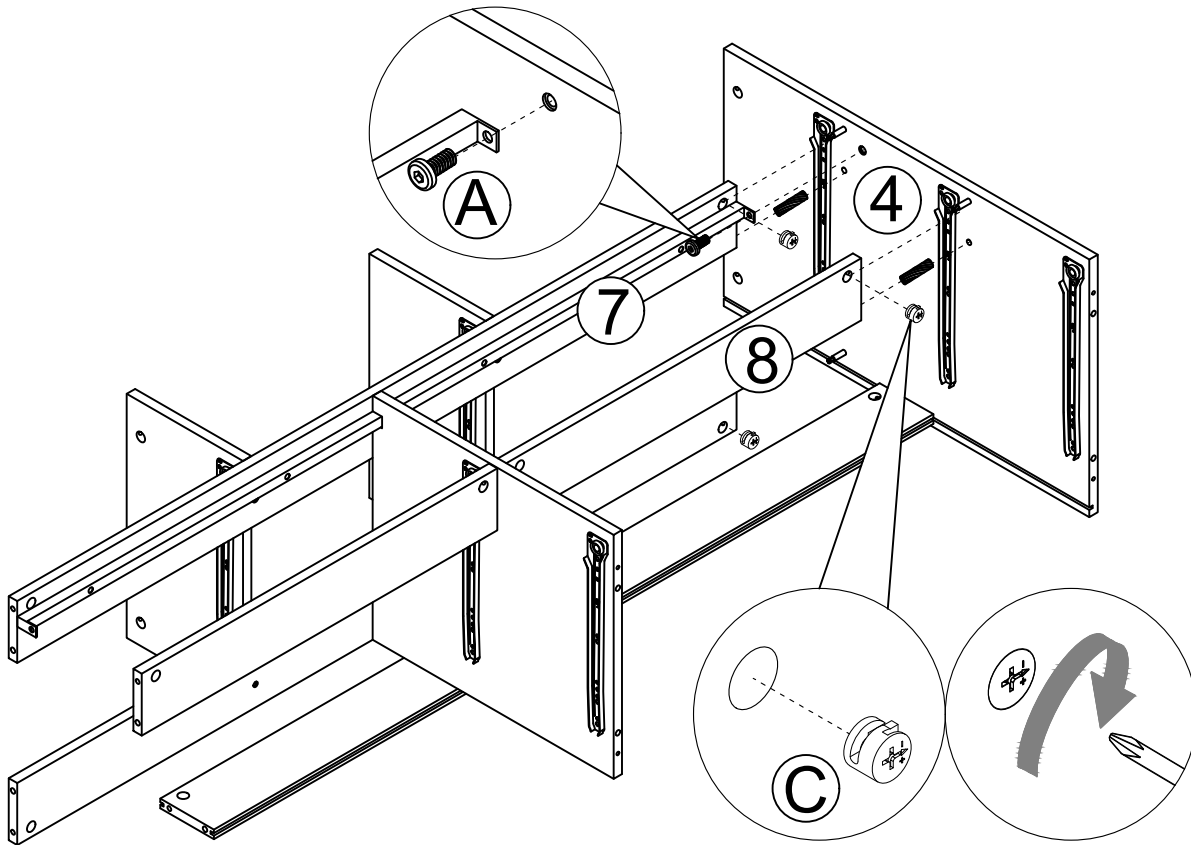
-   $\phi 6 \times 64\text{mm}$
- Y** x 1
-   $\phi 8 \times 50\text{mm}$
- W** x 1
-   $\phi 15 \times 9\text{mm}$
- C** x 2




# Step 12



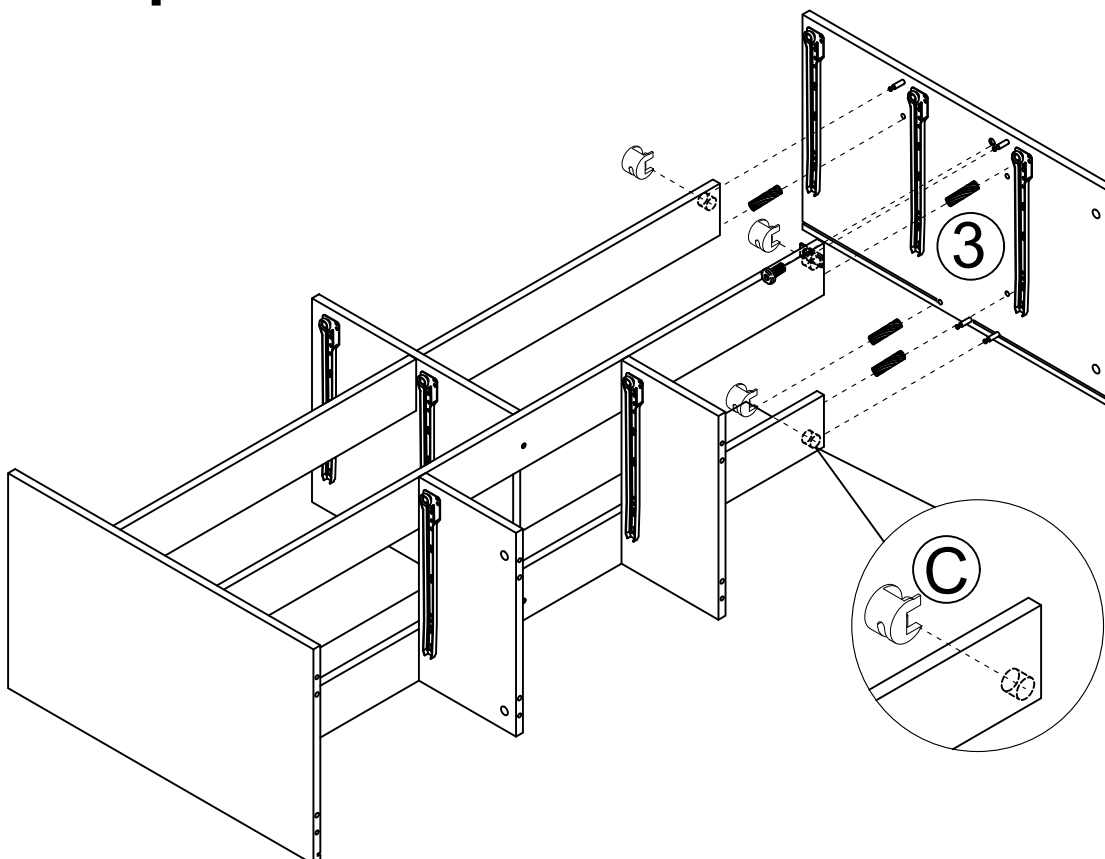
-   $\phi 15 \times 9\text{mm}$
- C** x 1
-   $\phi 8 \times 30\text{mm}$
- F** x 1




# Step 13



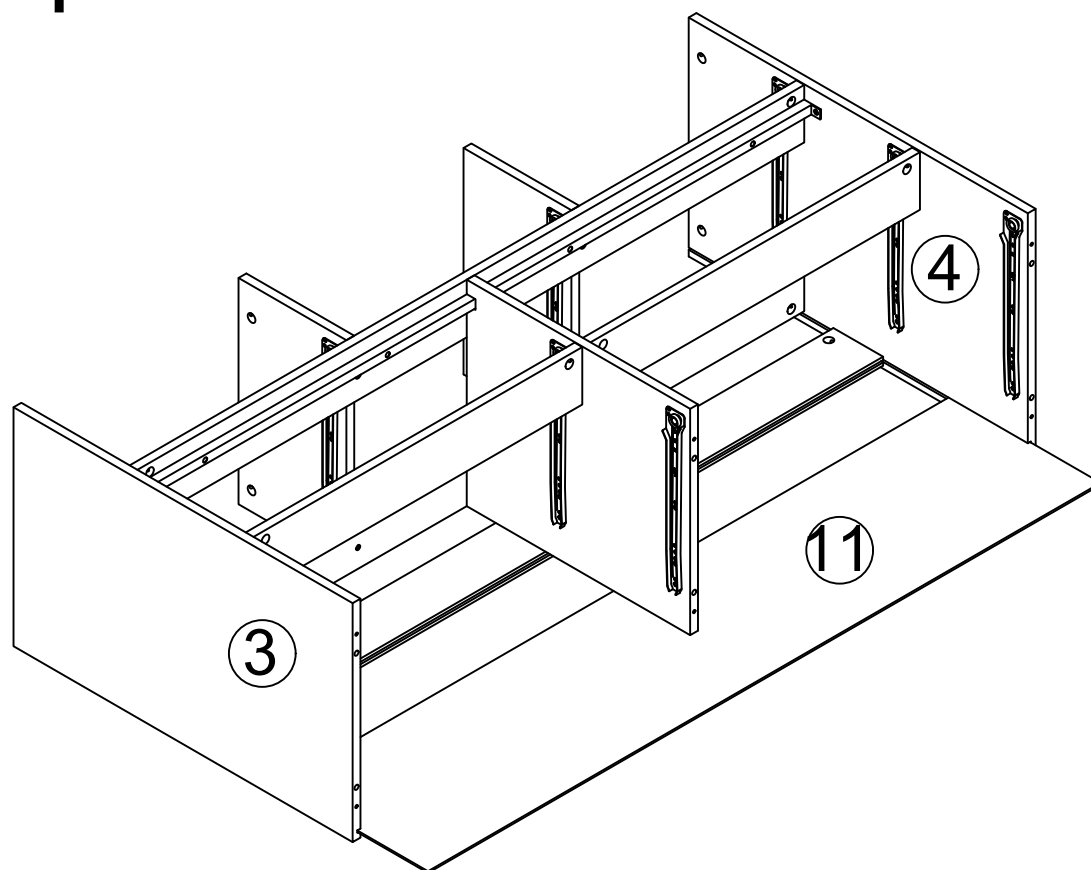

M6*12mm
<b>A</b> x 1

φ15 x 9mm
<b>C</b> x 3

φ8 x 30mm
<b>F</b> x 3

# Step 14

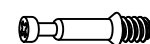
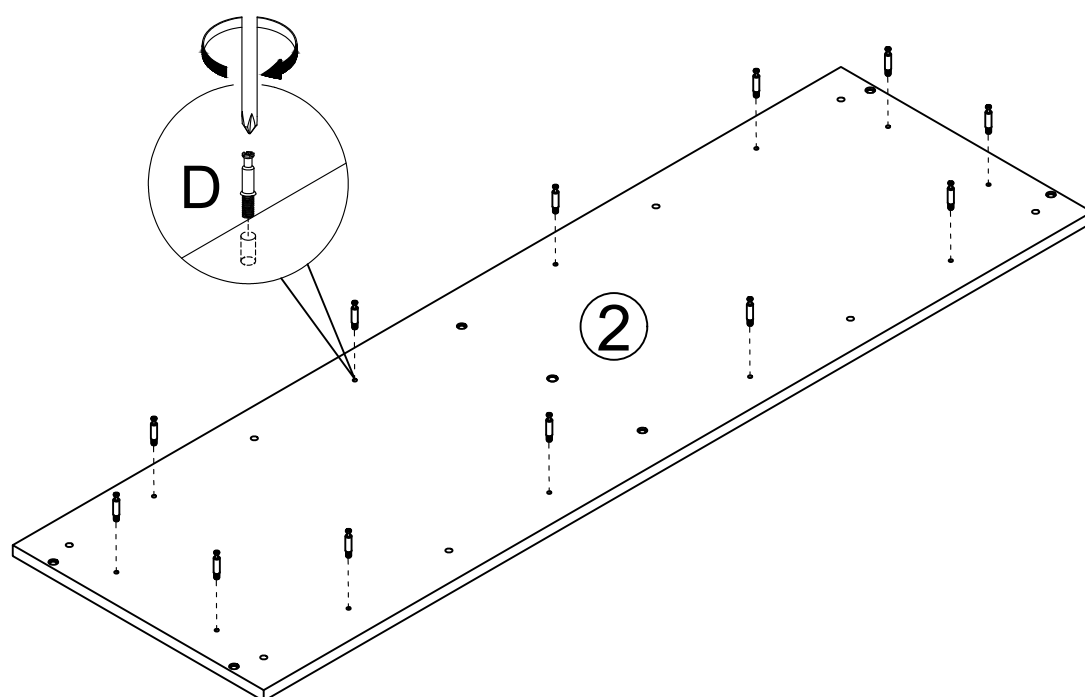



M6*12mm
<b>A</b> x 1

φ15 x 9mm
<b>C</b> x 4

φ8 x 30mm
<b>F</b> x 4

# Step 15

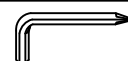


# Step 16



$\phi 6 \times 35\text{mm}$

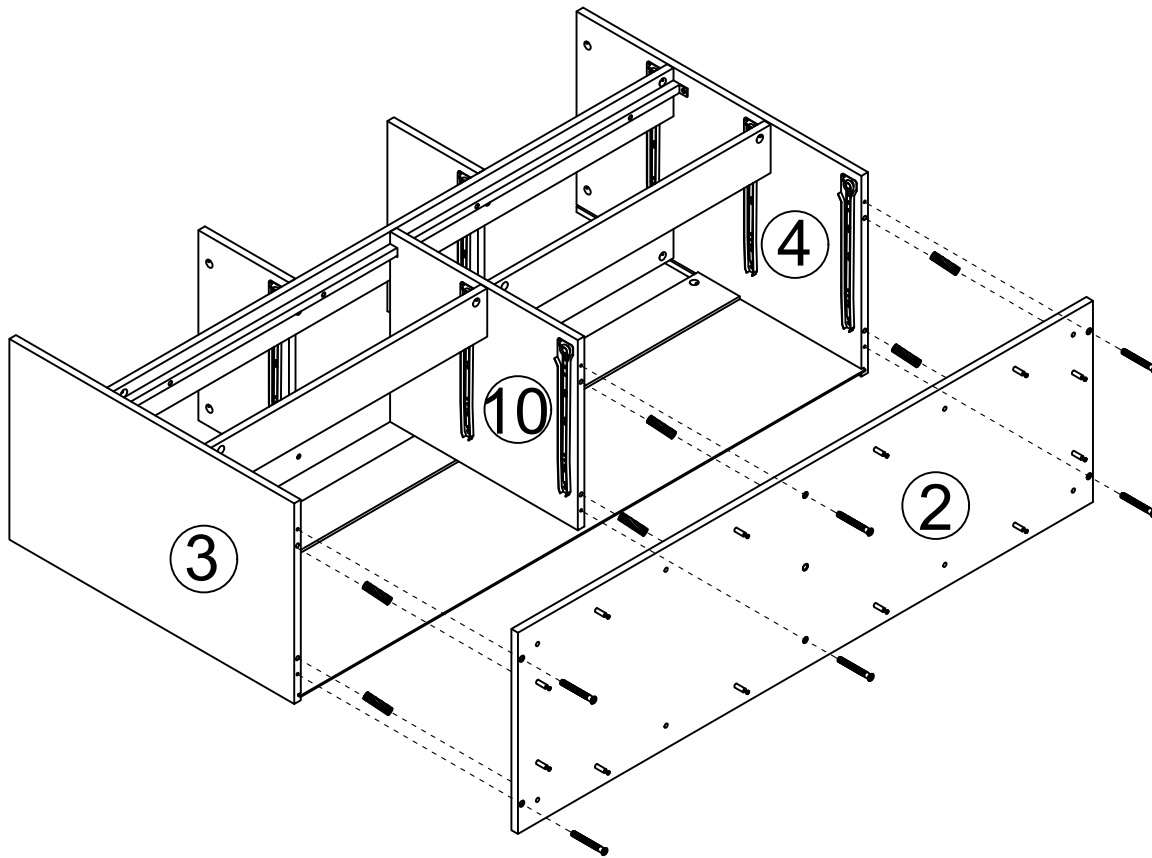
**D** x12



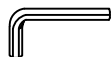


M4

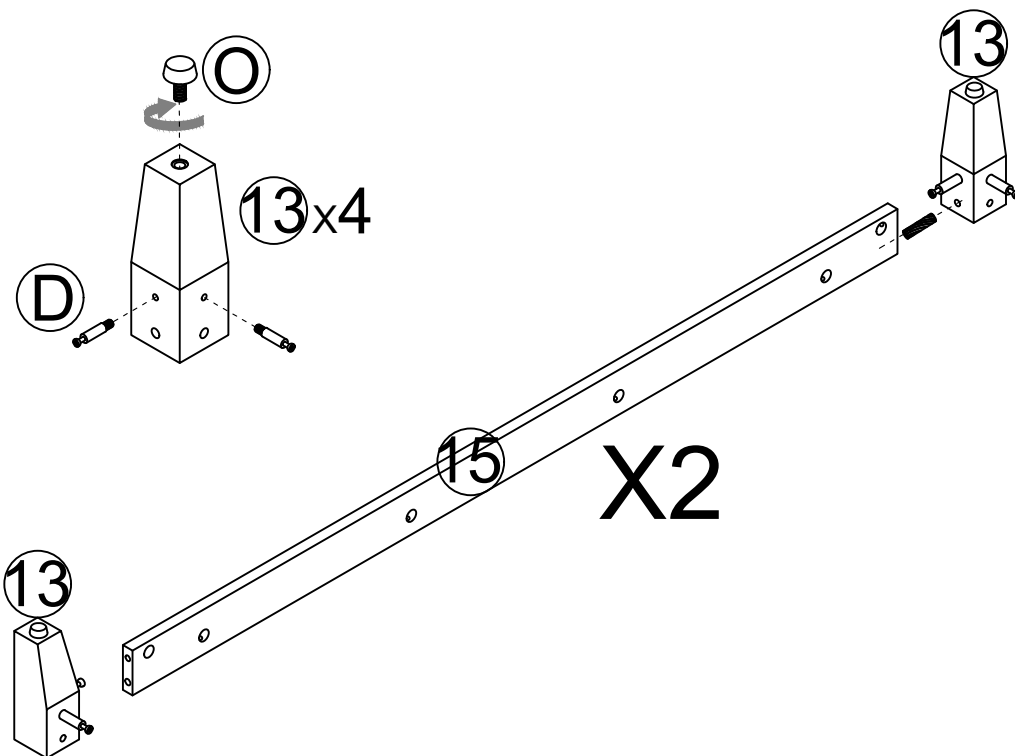
**T**



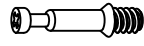

# Step 17



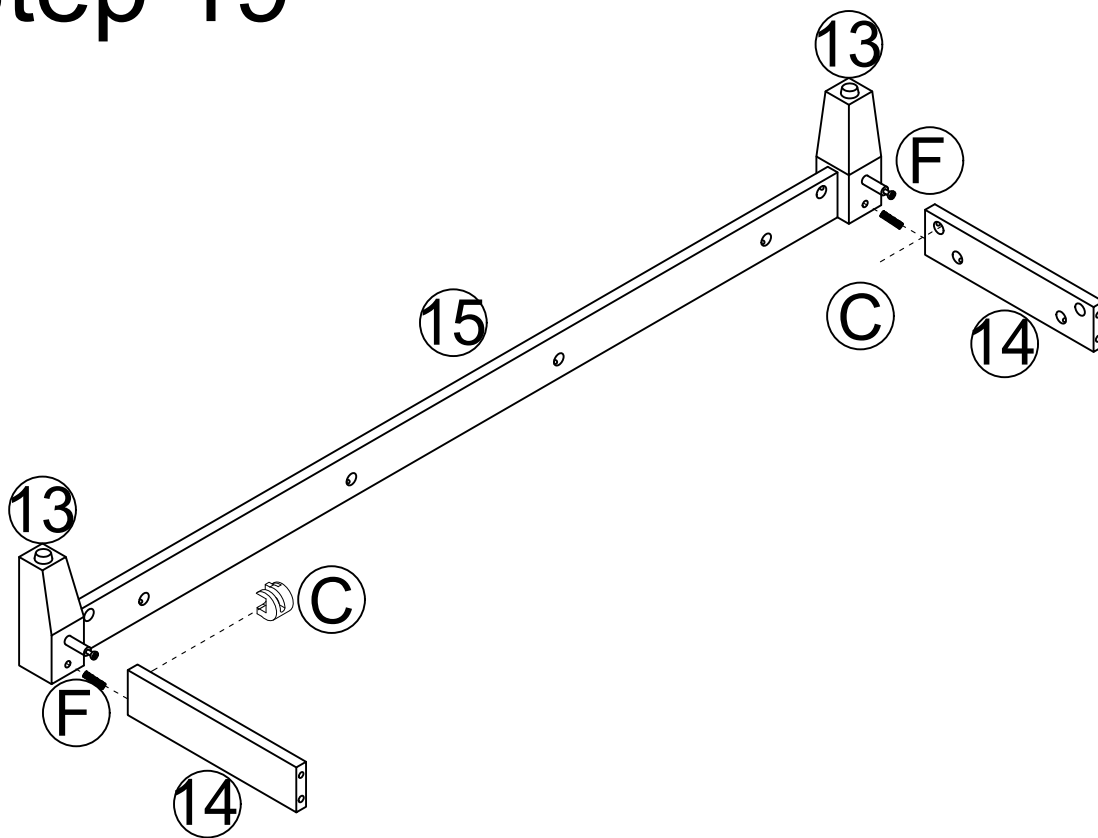

M5*48mm
<b>G</b> x 6

φ8 x 30mm
<b>F</b> x 6

M3
<b>V</b> x 1



# Step 18



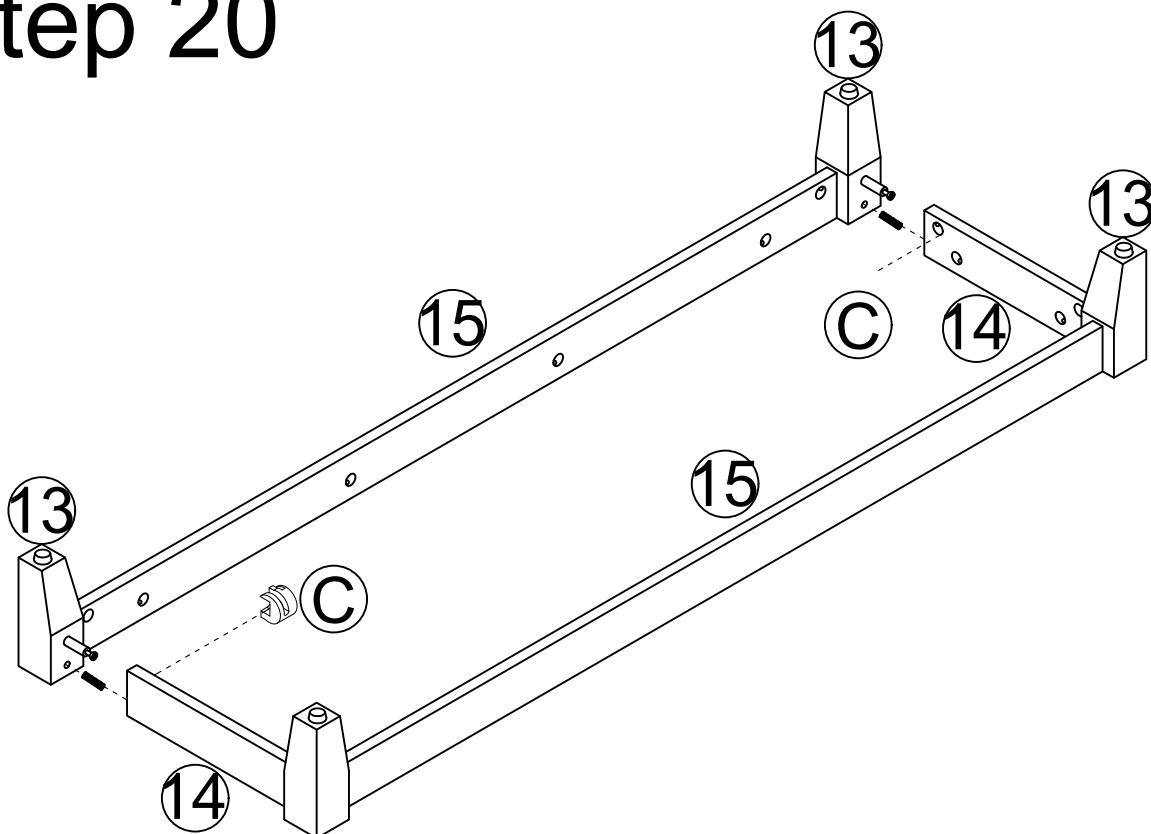

φ8 x 30mm
<b>F</b> x 4

M6*18mm
<b>O</b> x 4

φ6 x 35mm
<b>D</b> x 8

φ15 x 9mm
<b>C</b> x 4



# Step 19



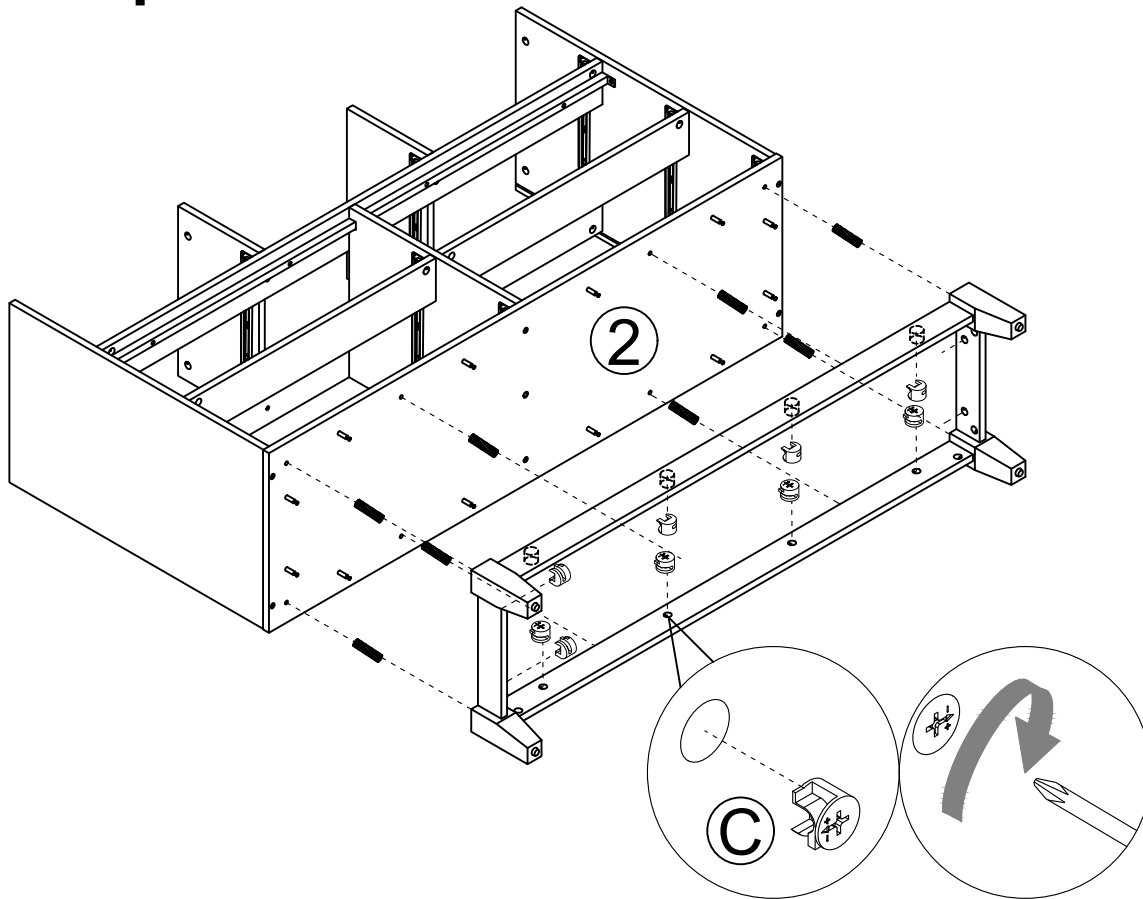

φ15 x 9mm
<b>(C)</b> x 2

φ8 x 30mm
<b>(F)</b> x 2



# Step 20



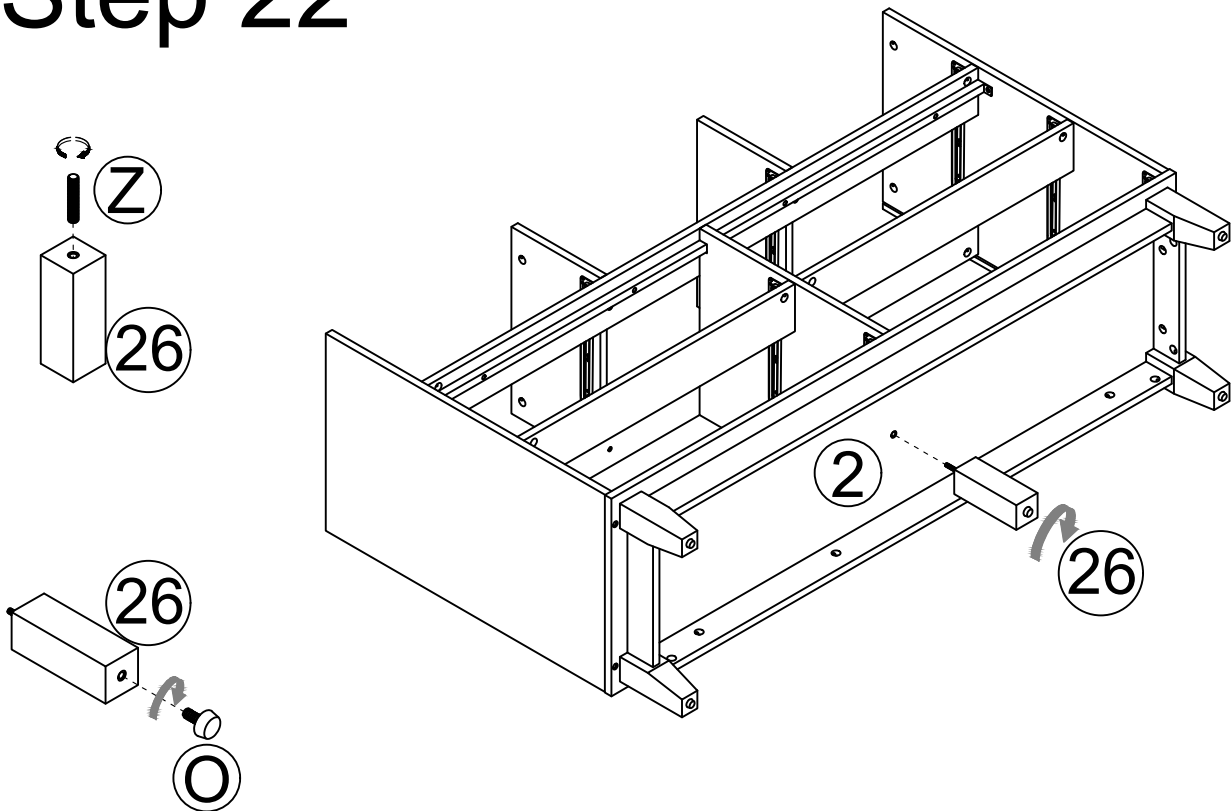

φ15 x 9mm
<b>(C)</b> x 2

φ8 x 30mm
<b>(F)</b> x 2



# Step 21



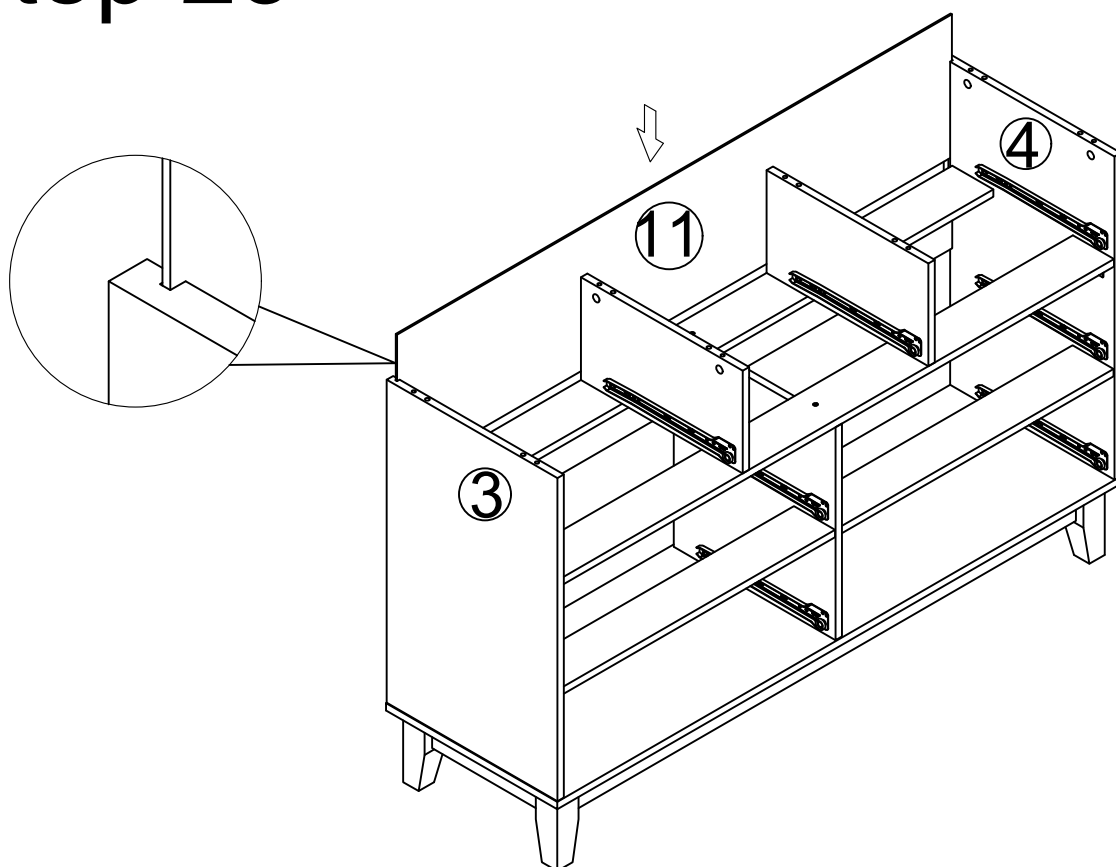
-   $\phi 15 \times 9\text{mm}$
- C** x 12
-   $\phi 8 \times 30\text{mm}$
- F** x 8

# Step 22

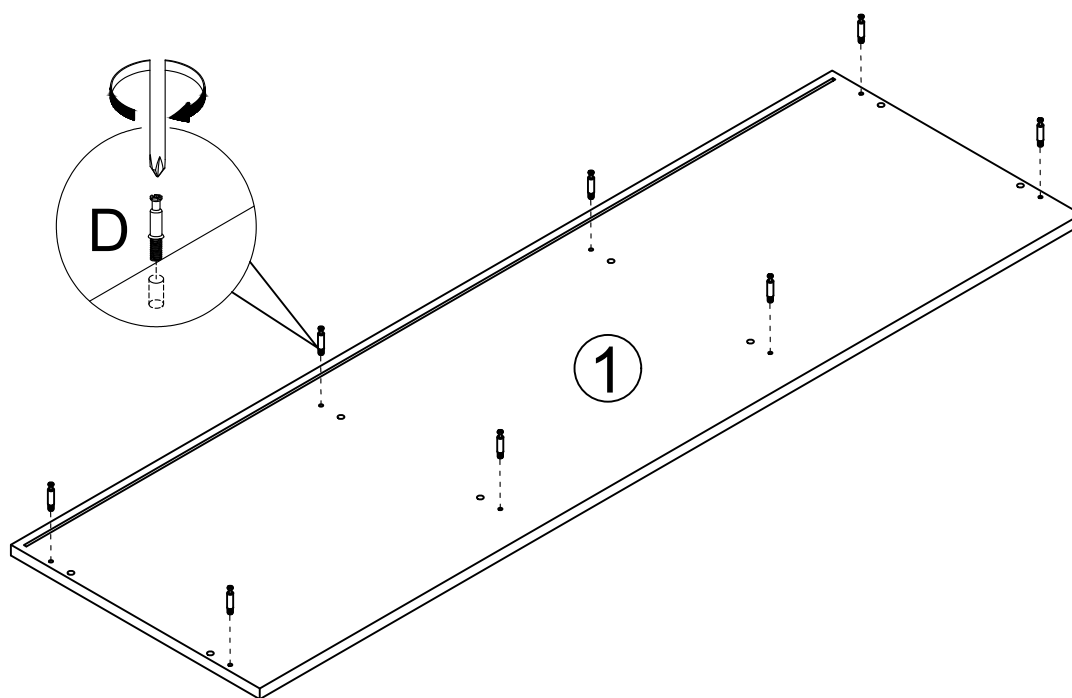


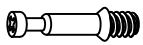

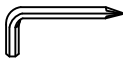

-   $M6 \times 30\text{mm}$
- Z** x 1
-   $M6 \times 18\text{mm}$
- O** x 1

# Step 23

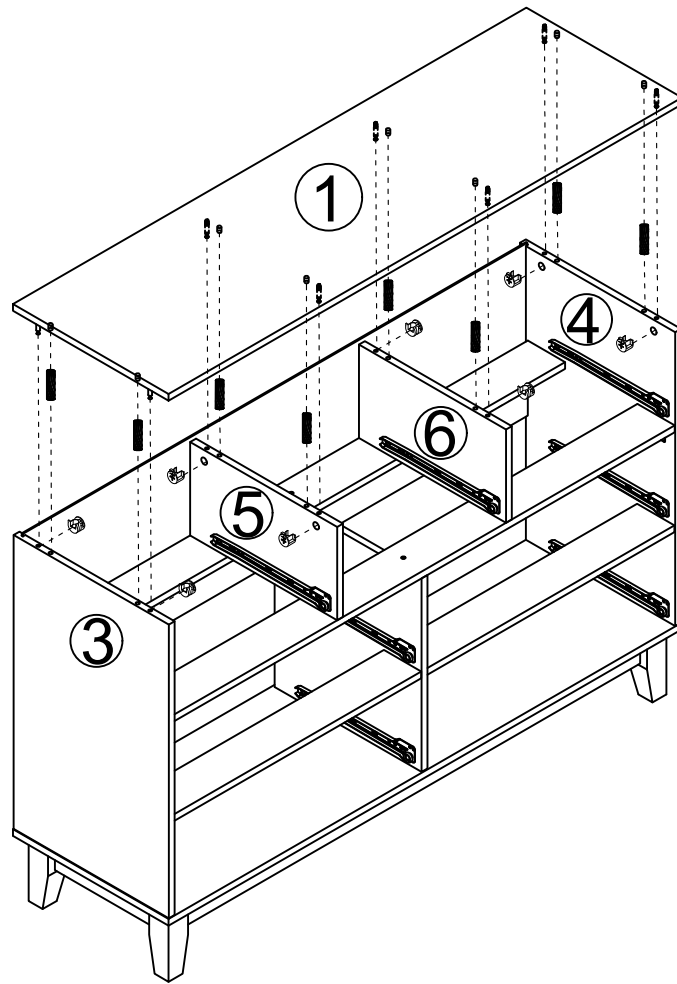
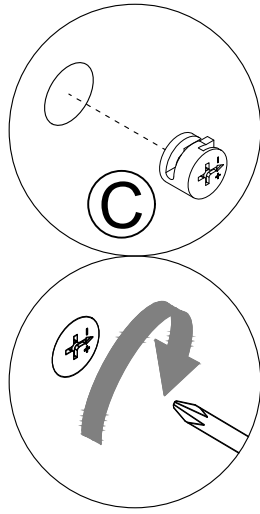




# Step 24



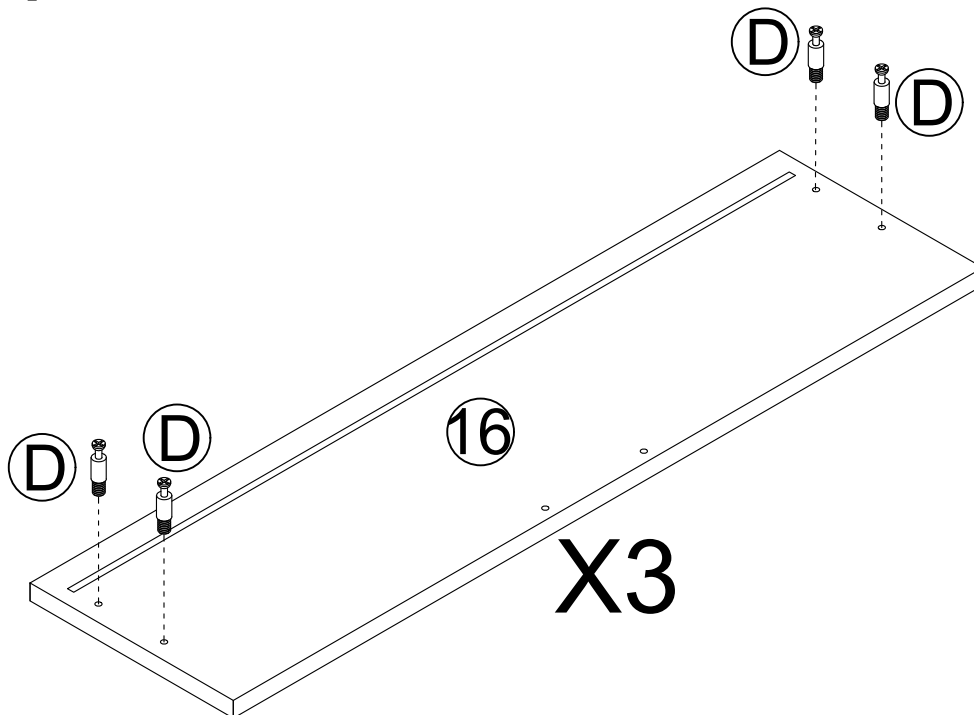

$\phi 6 \times 35\text{mm}$
 x8
 M4


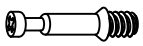
# Step 25



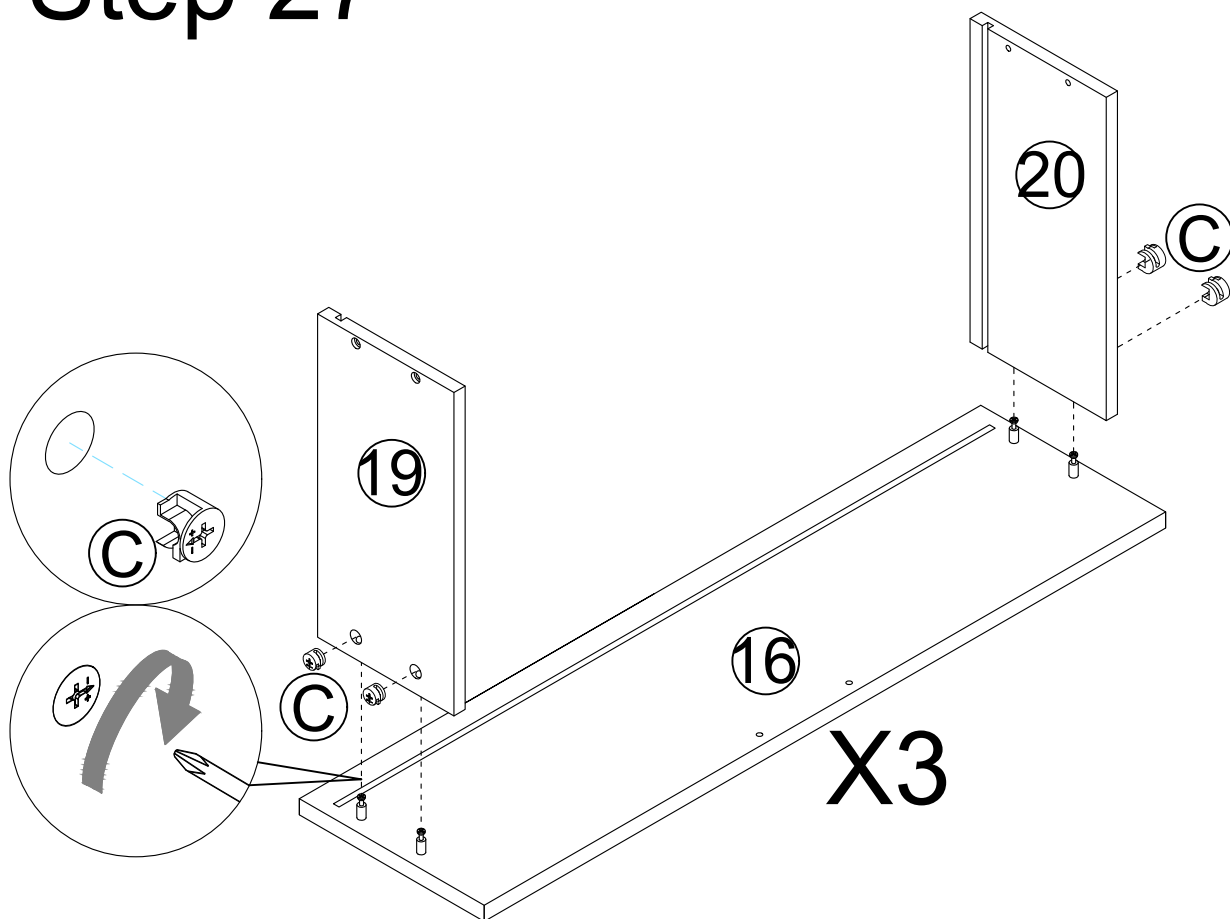
-   $\phi 15 \times 9\text{mm}$
- C** x 8
-   $\phi 8 \times 30\text{mm}$
- F** x 8

# Step 26

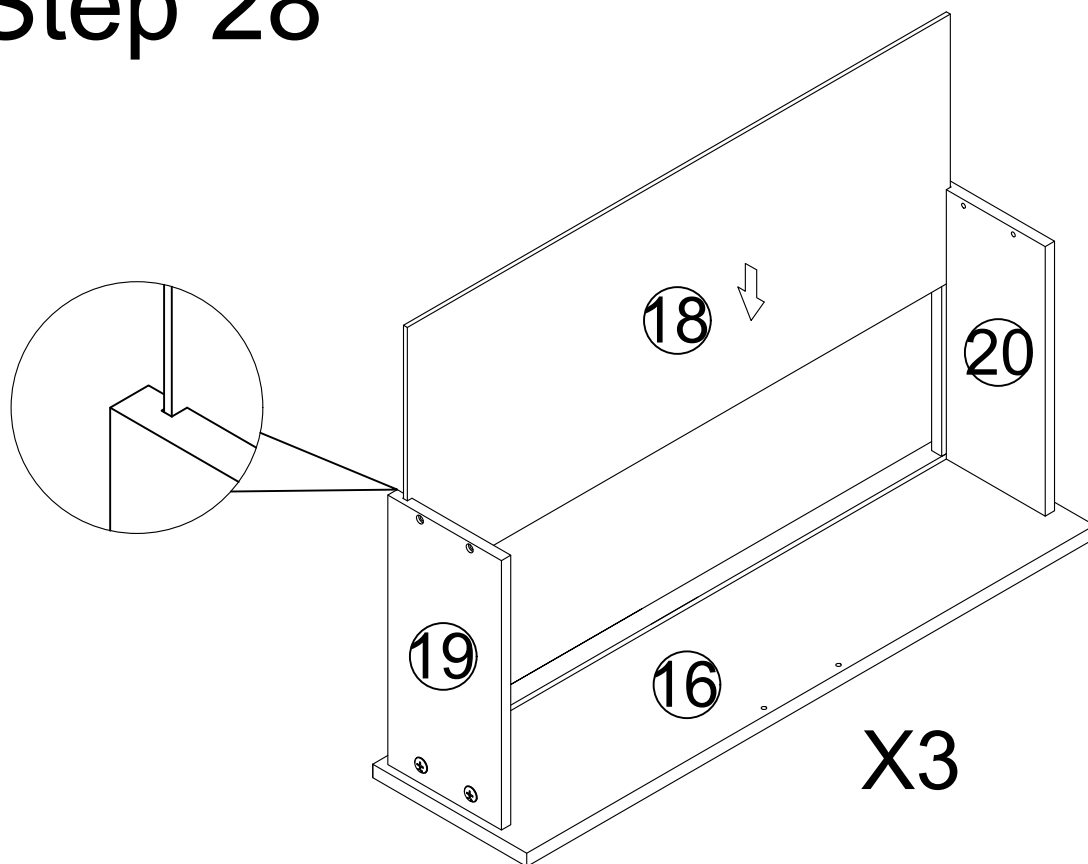


-   $\phi 6 \times 35\text{mm}$
- D** x 12

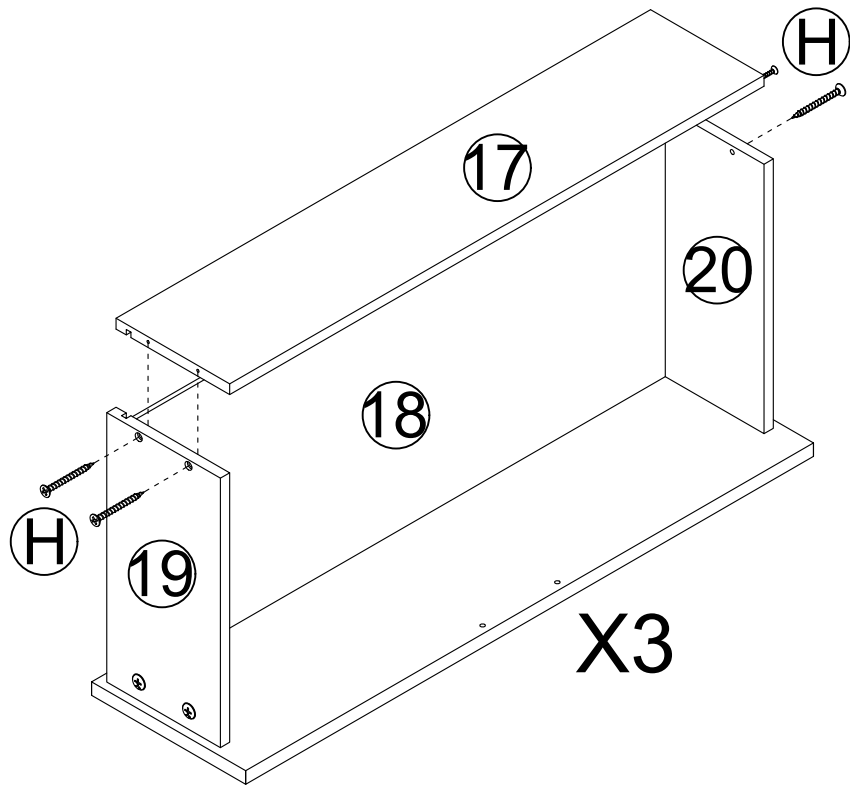
# Step 27




# Step 28

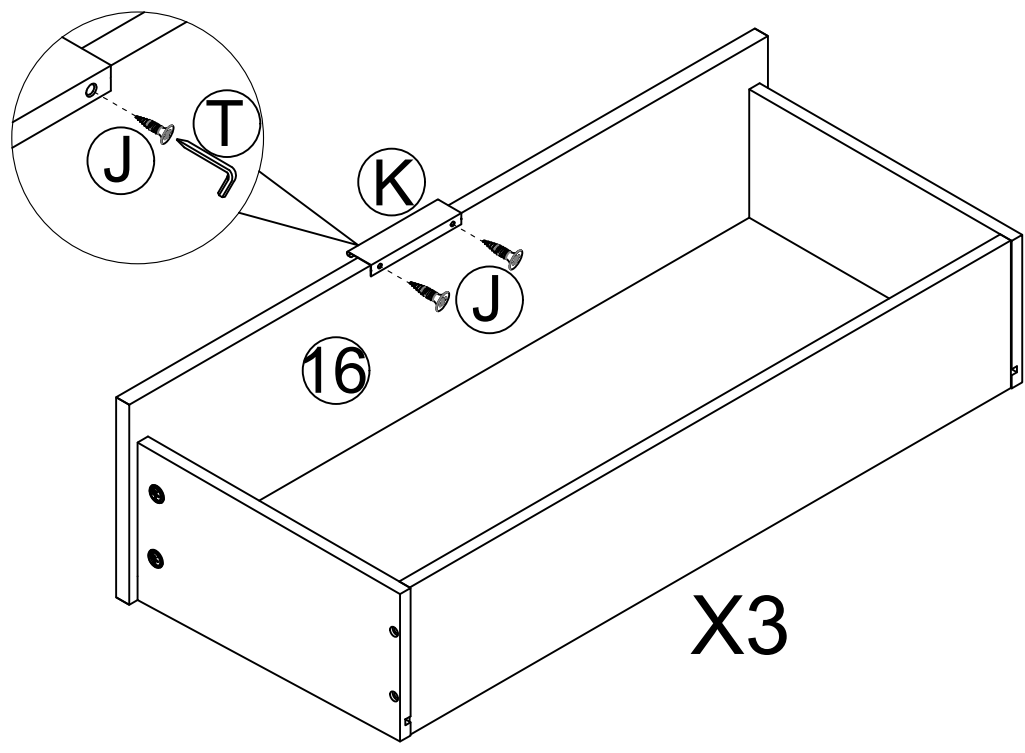


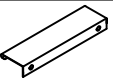

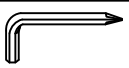
# Step 29



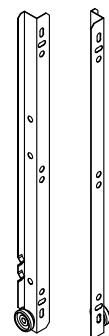
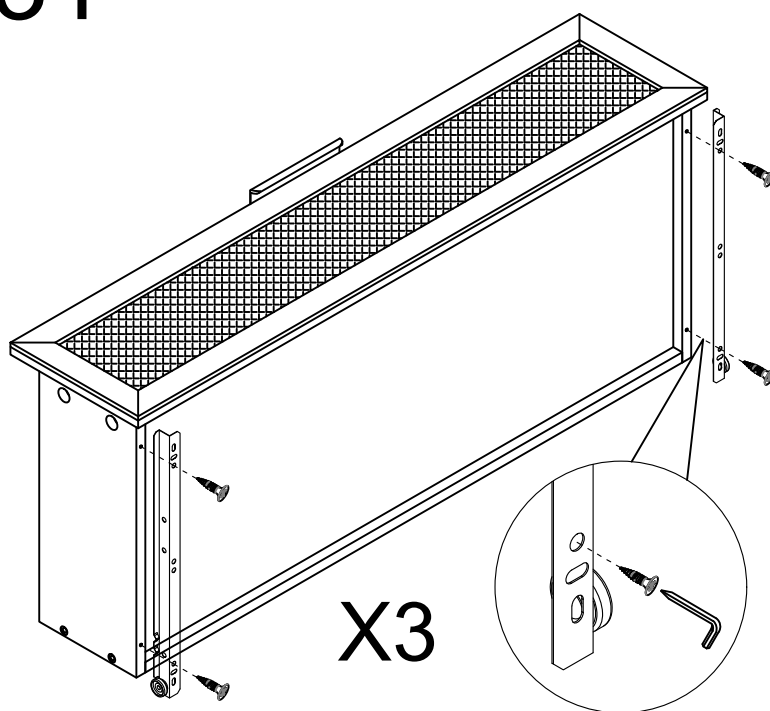
-  M4\*25mm
- (H)** x12

# Step 30



- 
- (K)** x3
-   $\phi 3.5 \times 12\text{mm}$
- (J)** x6
-  M4
- (T)**

# Step 31



L x3



Ø3.5 x12mm

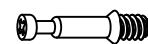
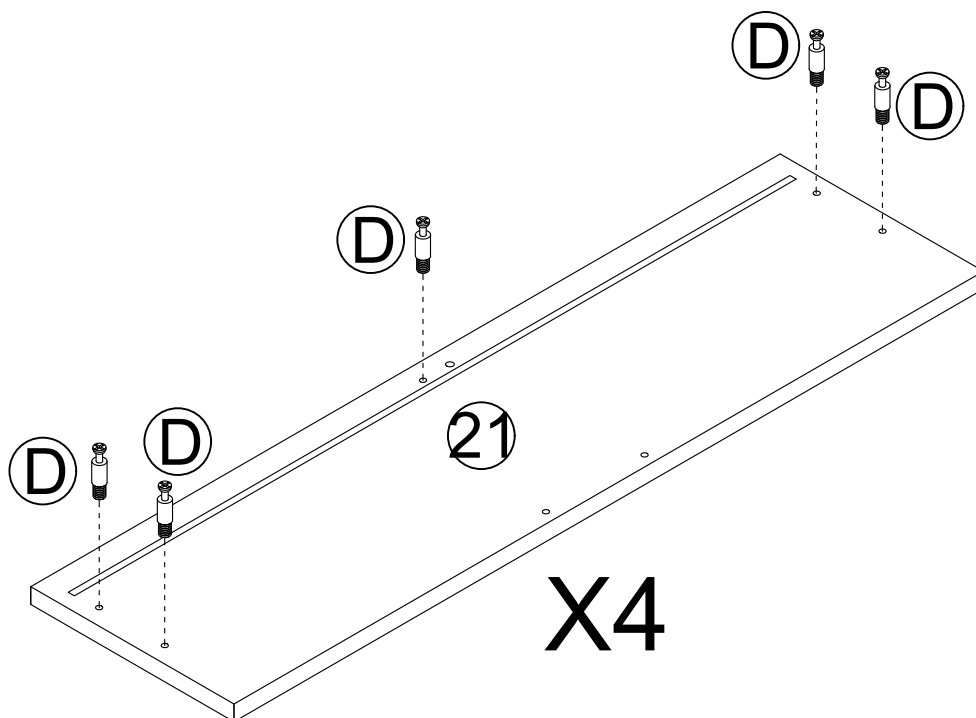
I x12



M4

T

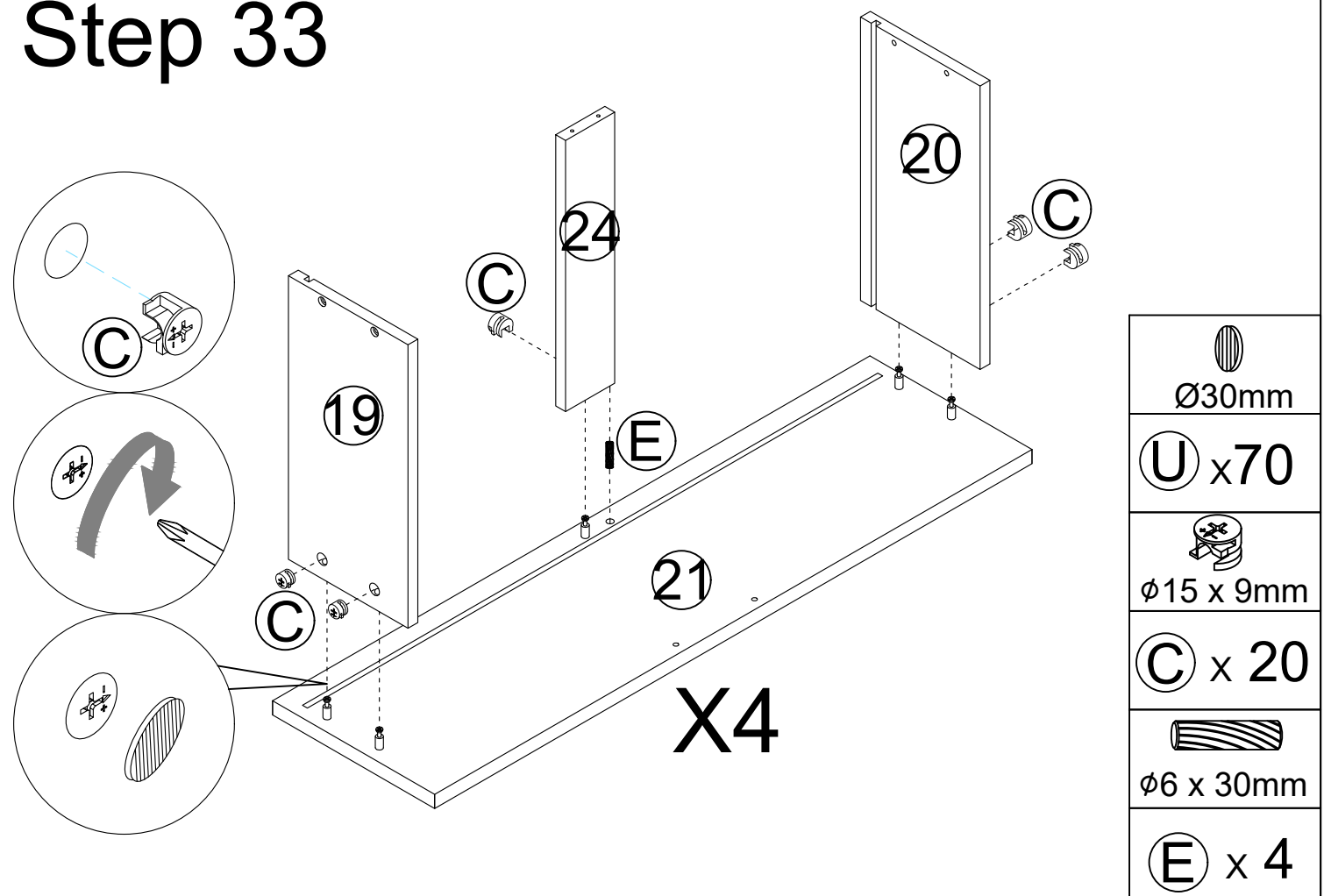
# Step 32



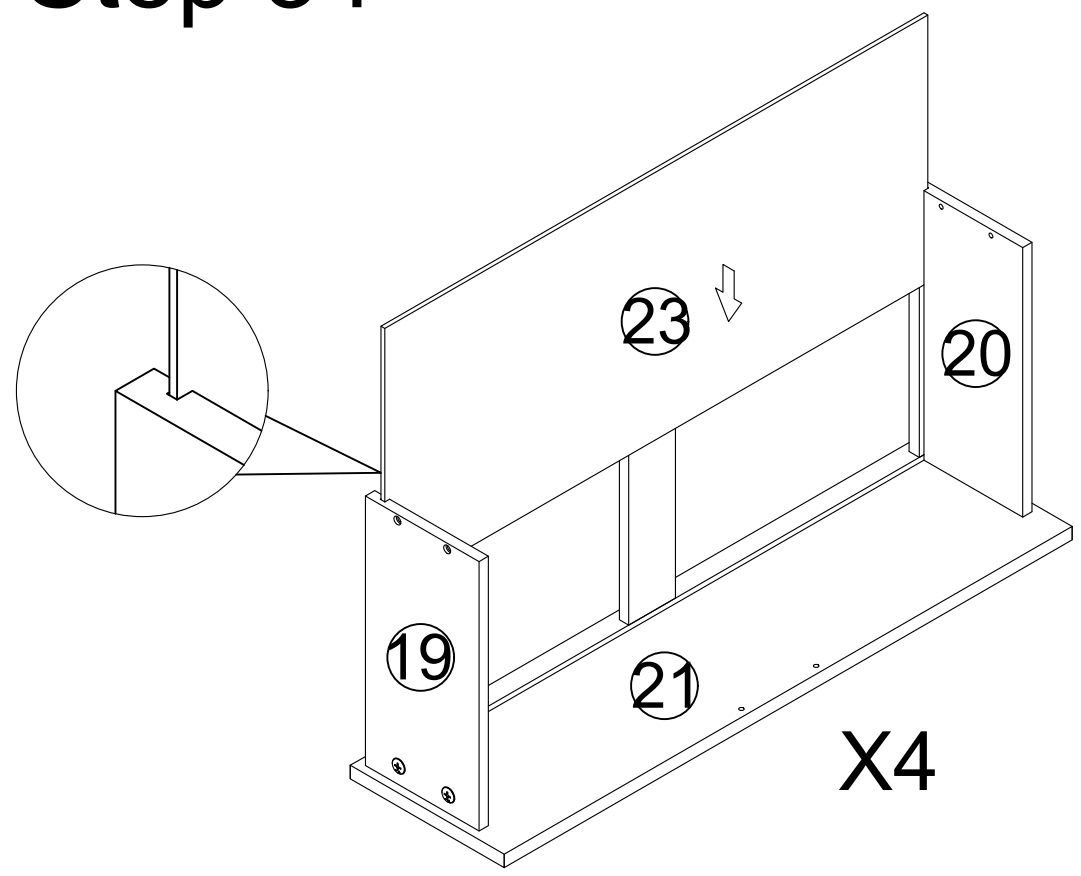
Ø6 x 35mm

D x20

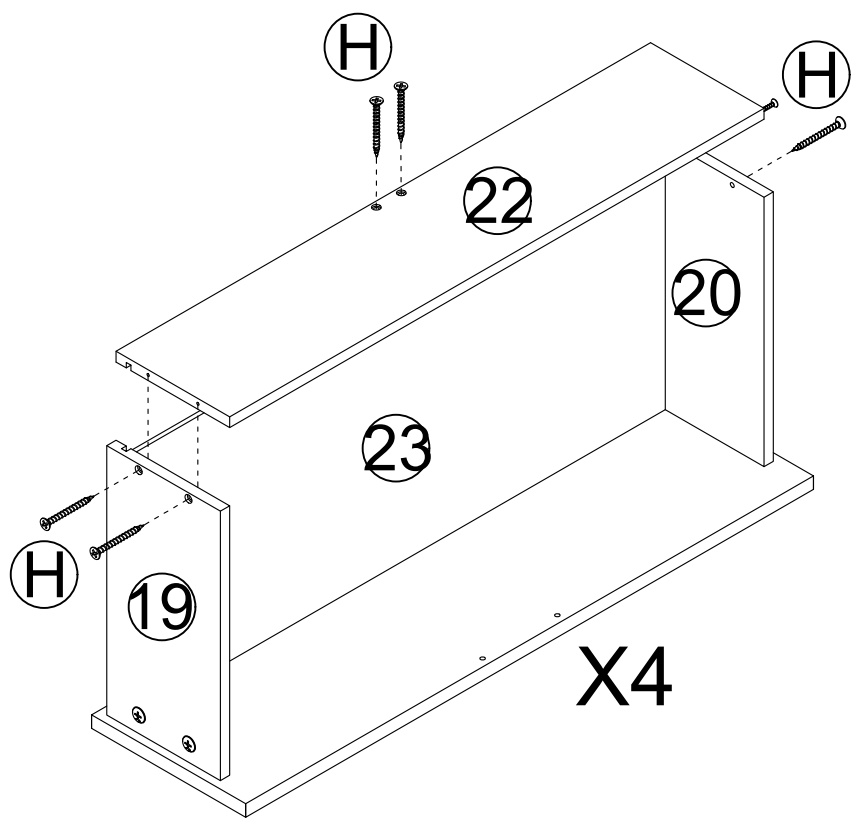
# Step 33




# Step 34

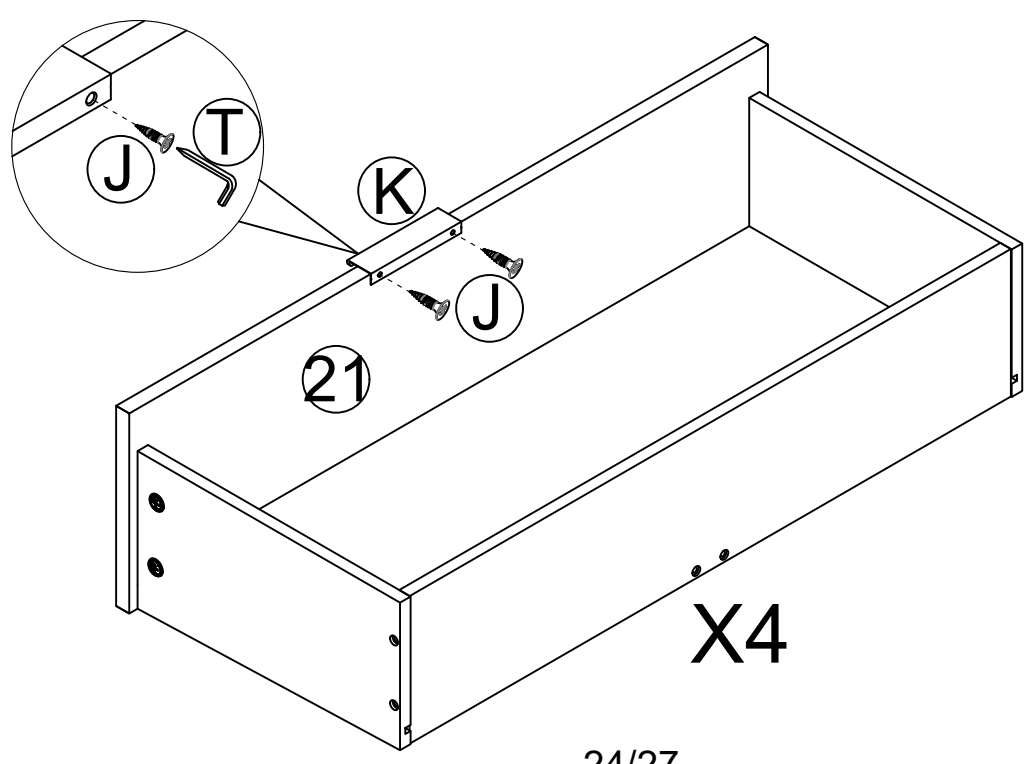




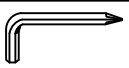
# Step 35



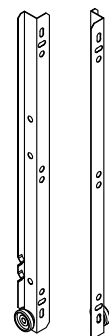
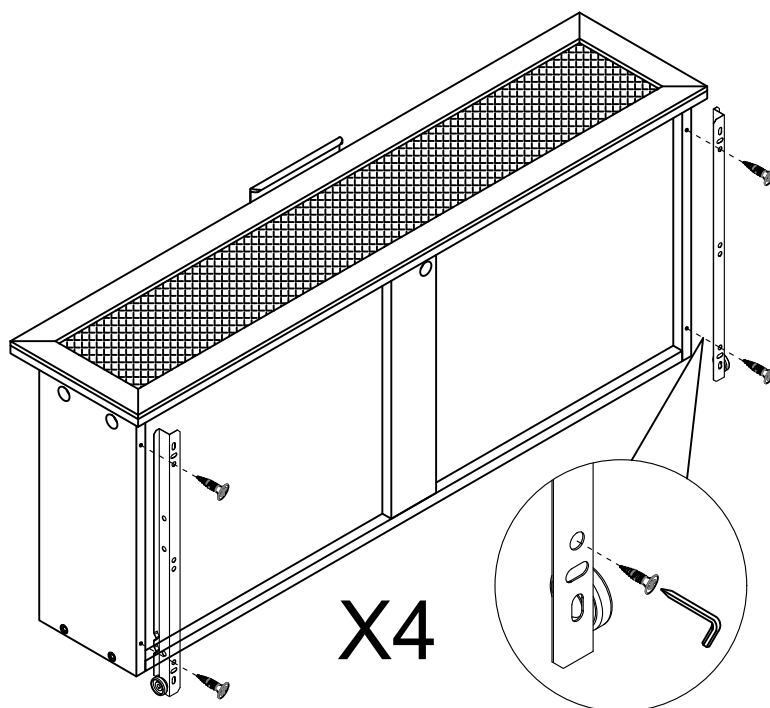
-  M4\*25mm
- (H)** x24

# Step 36



- 
- (K)** x4
-   $\phi 3.5 \times 12\text{mm}$
- (J)** x8
-  M4
- (T)**

# Step 37

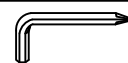


L x4



Ø3.5 x12mm

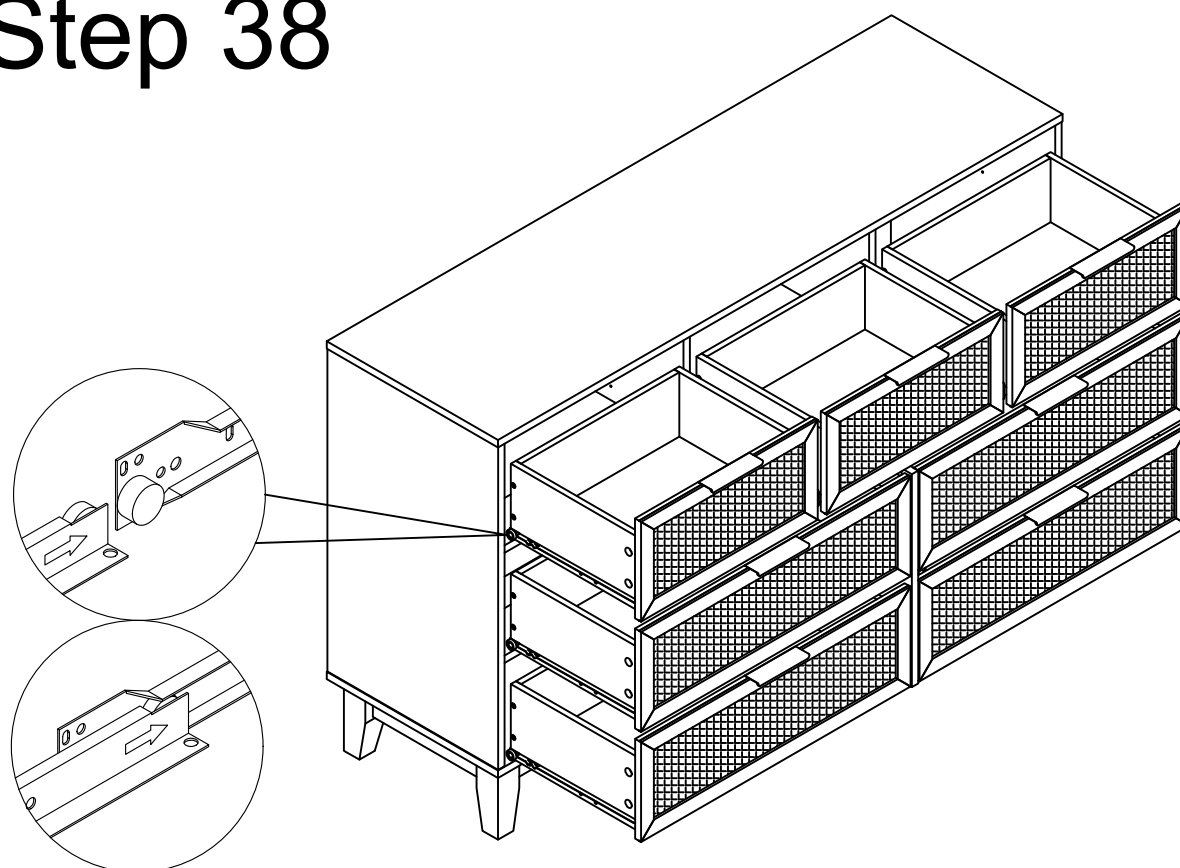
I x16



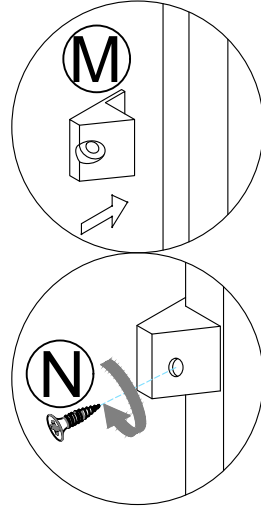
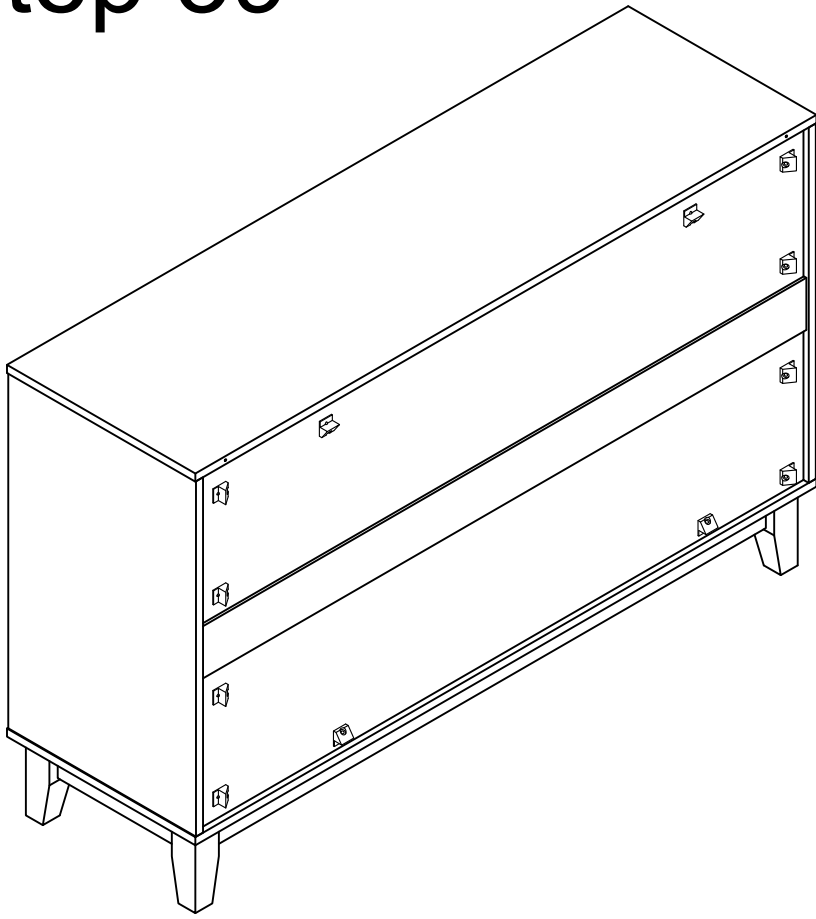
M4



T

# Step 38

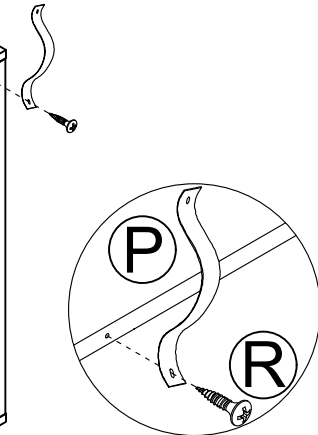
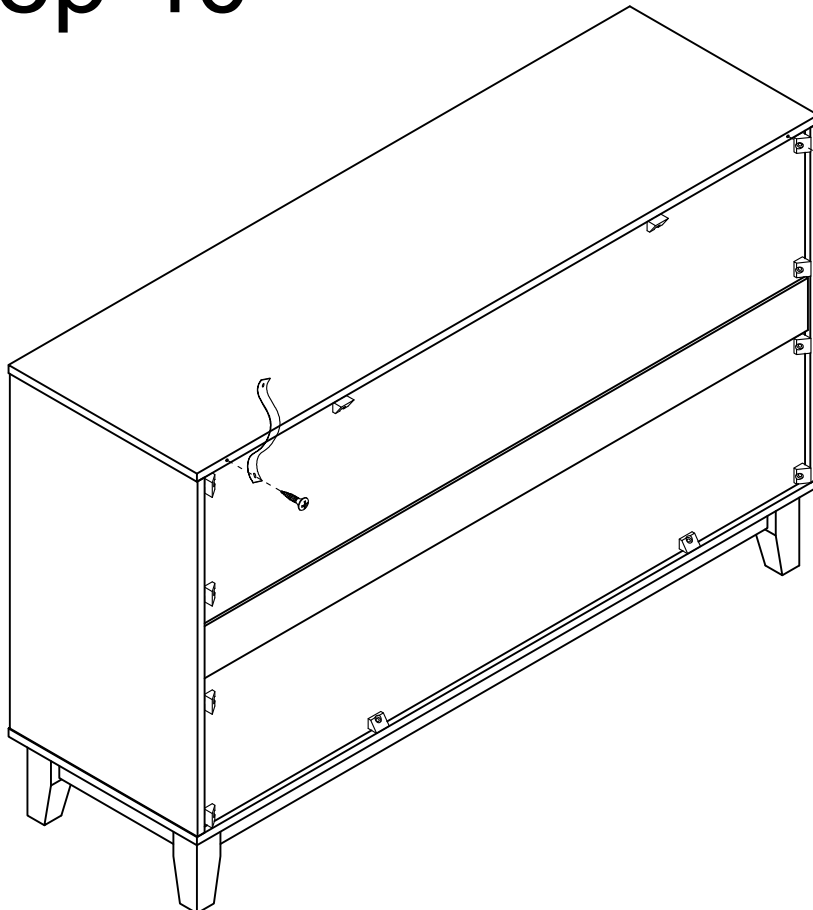




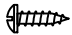
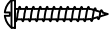
# Step 39



 15*15*10mm
<b>M</b> x12
 M3*16mm
<b>N</b> x12

# Step 40



 190*20mm
<b>P</b> x2
 ø8 x 40mm
<b>Q</b> x2
 M4*15mm
<b>R</b> x2
 M4*38mm
<b>S</b> x2

# Step 41

