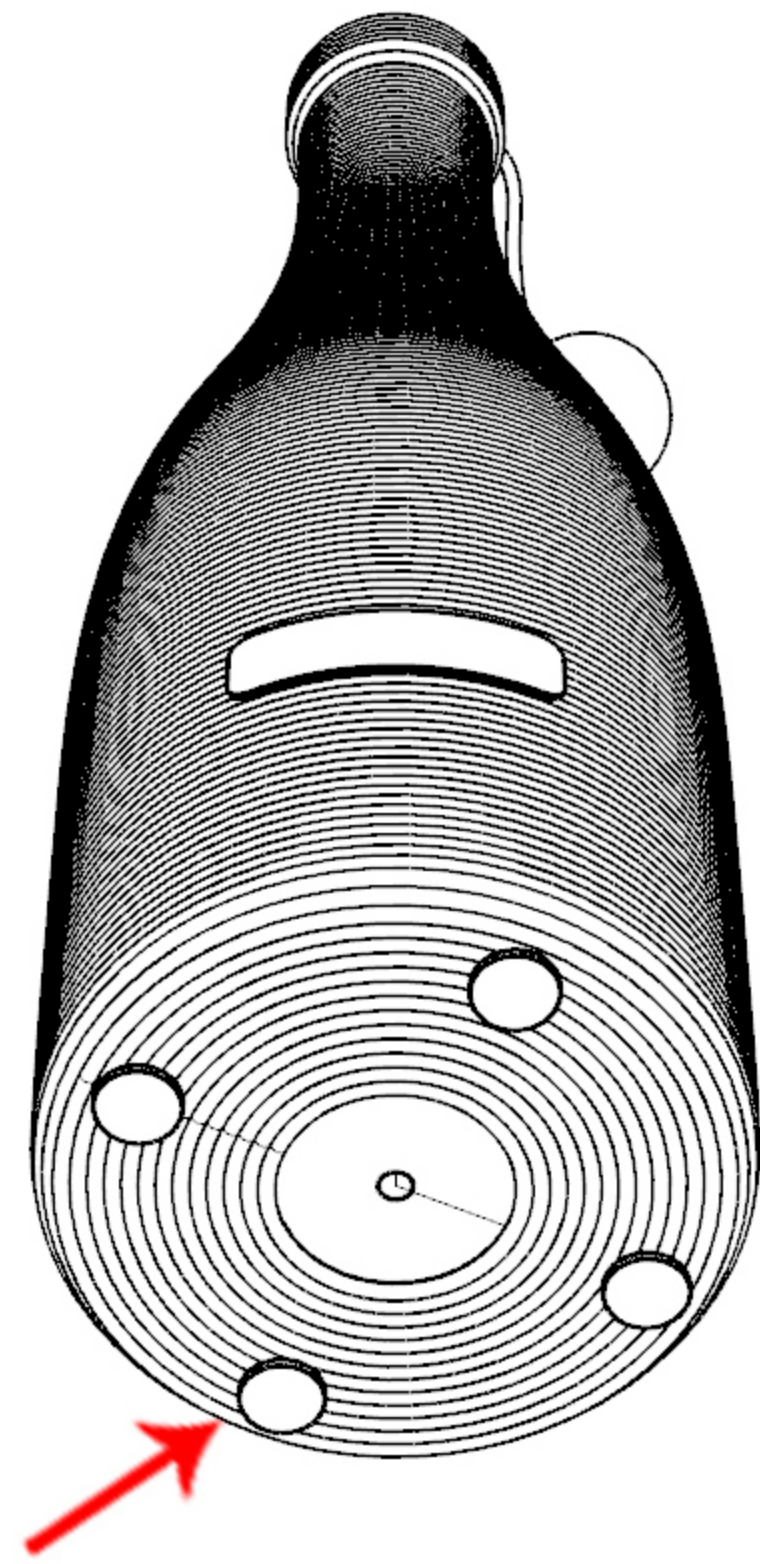
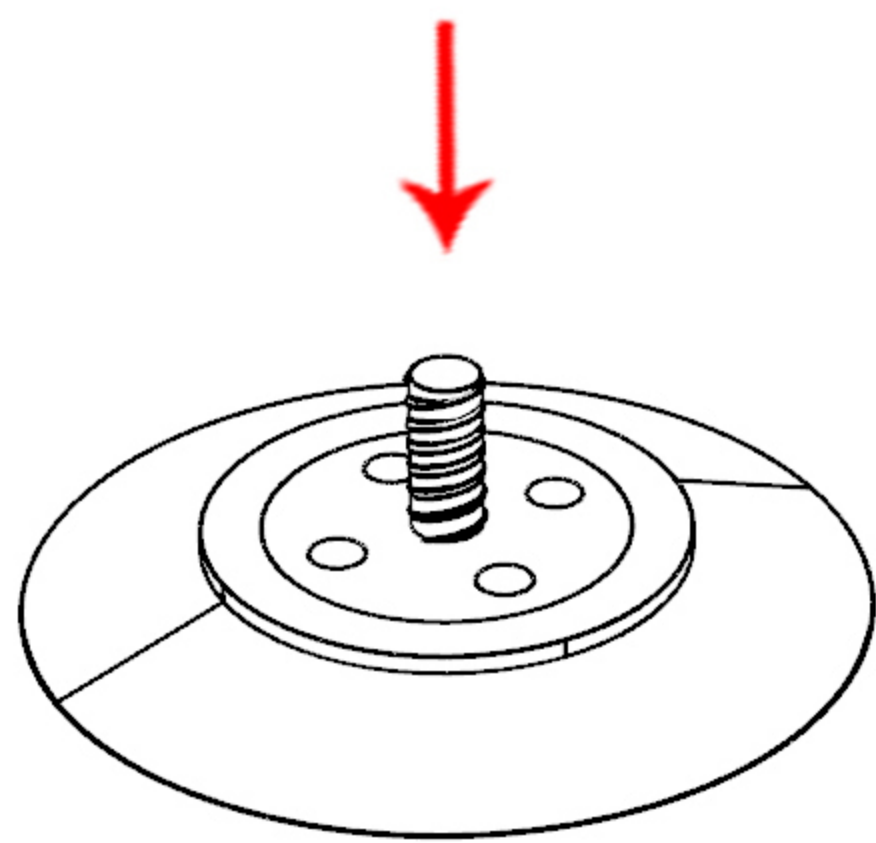


Suction Cup Wine Bottle Cat Scratcher



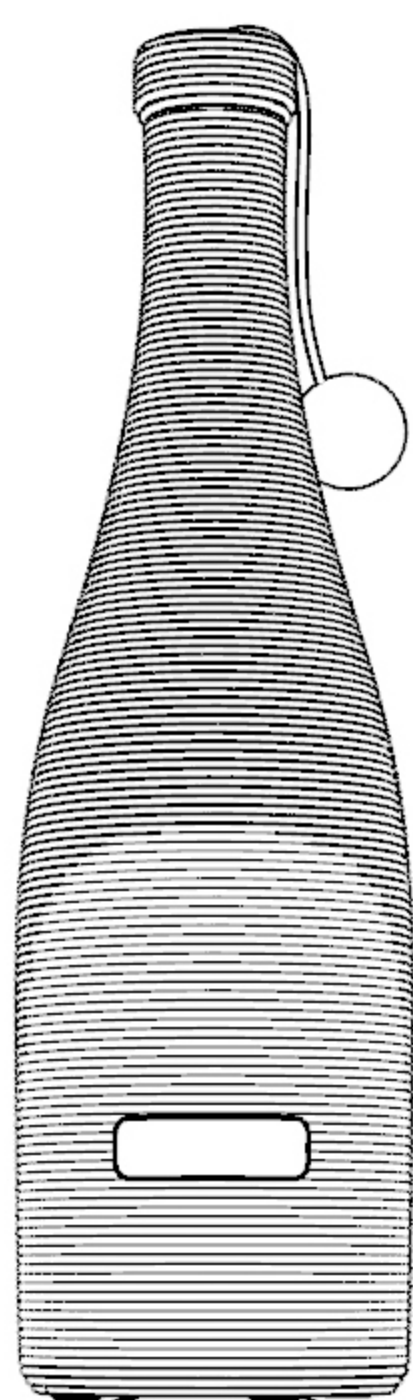
Step1

Peel B's backing. Stick to A's base.



Step2

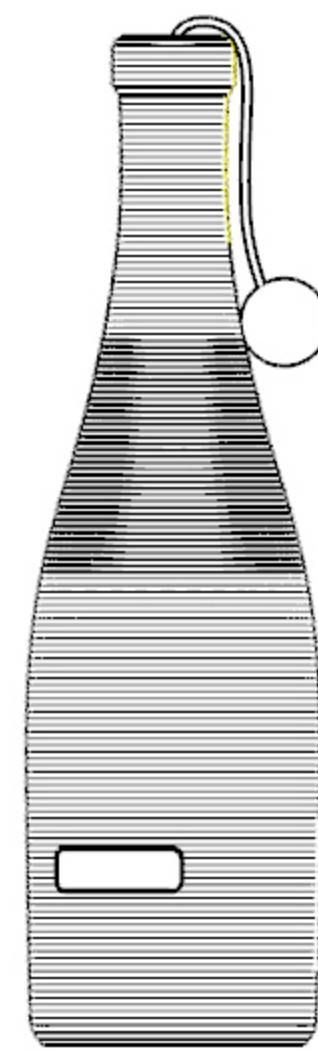
Press C on smooth surface (moisten if loose).



Step3

Twist A's base screw onto C. Done.

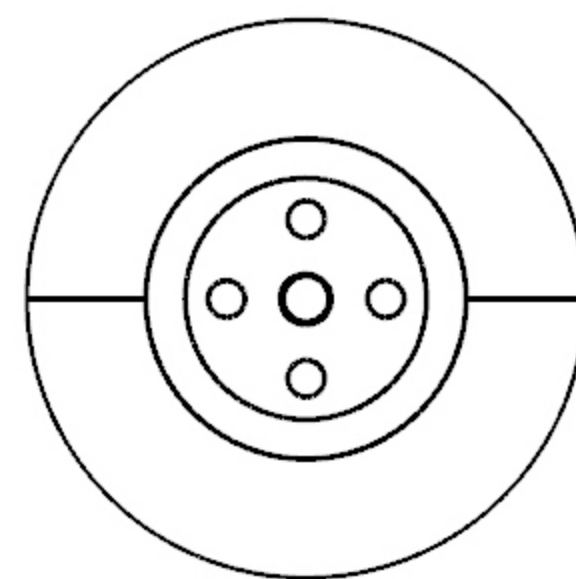
Parts



Scratcher (A) x 1PC



Anti-slip Pad (B) x 1PC



Suction cup (C) x 1PC