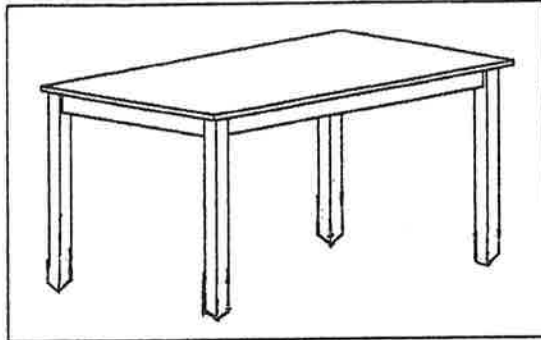



ASSEMBLY INSTRUCTION

Thank you for purchasing this quality product . Be sure to check all packed material carefully for small parts which may have come loose inside the carton during shipment.
Place all parts on a clean and smooth surface such as rug or carpet to avoid the parts from being scratched .
Check to be sure that you have all parts and hardware before you start to assemble .



PART LIST		
1	TABLE TOP	1 PC
2	TABLE LEGS	4PCS

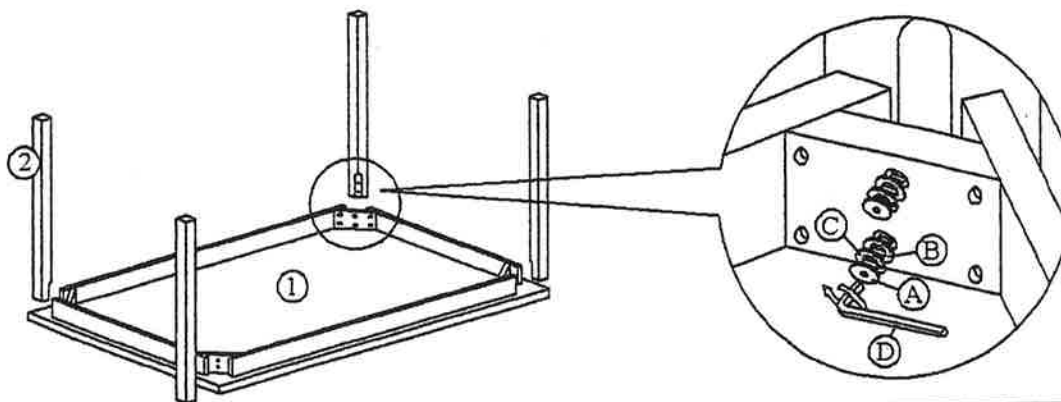
HARDWARE LIST		
A	 JCBC M6 X 60MM	8 PCS
B	 FLAT WASHER M6	8 PCS
C	 SPRING WASHER M6	8 PCS
D	 ALLEN KEY M4	1 PC

STEP 1

Turn the table top (1) upside down on a soft surface such as carpet that fix the table leg (2) to the corner of the apron by using flat washer (B) , spring washer (C) , JCBB (A) and tighten with allen key (D) as per illustration below .

STEP 2

Repeat the same process to fix the other three table legs .



CARE AND MAINTENANCE

The touch of a soft cloth is all the maintenance your wood pieces will ever need .
Never use harsh chemicals or abrasive cleaners , as they could mark or destroy finish .
Note : Must tighten screws periodically . With use screws will become loose .
Check tightness of all screw every 6 to 8 weeks .