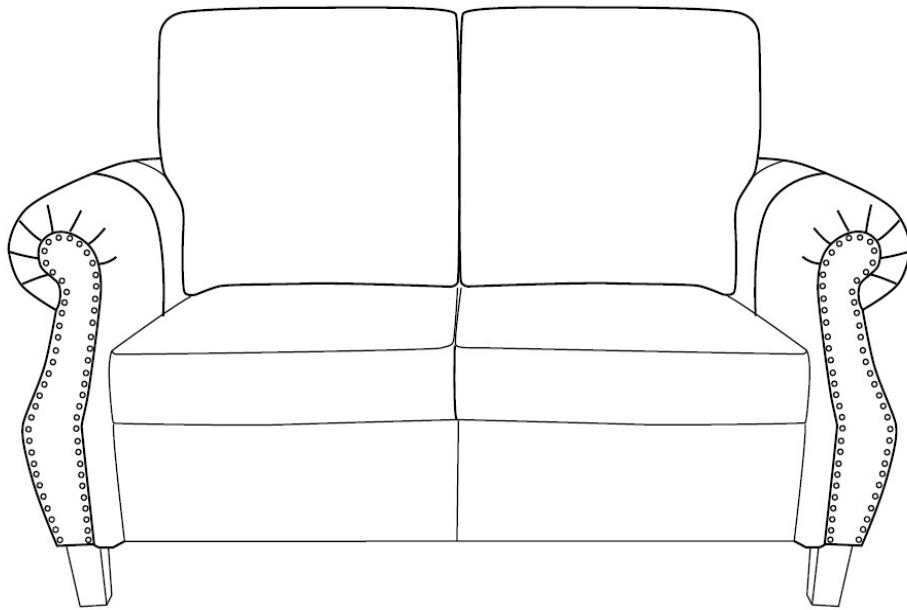


Assembly Instructions


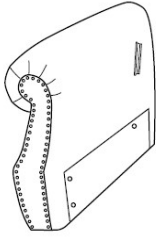
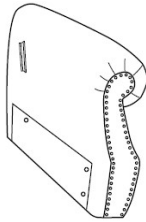





Caution: You must read this before you proceed


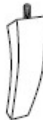
Please look in the magic tape pouch for hardware packs and legs

LOVESEAT






Part List

Label	Picture	Description	QTY
A		Backrest	1
B		Left Armrest	1
C		Right Armrest	1
D		Seat	1
E		Front Rail	1
F		Left Back Cushion	1
G		Right Back Cushion	1
H		Seat Cushion	2

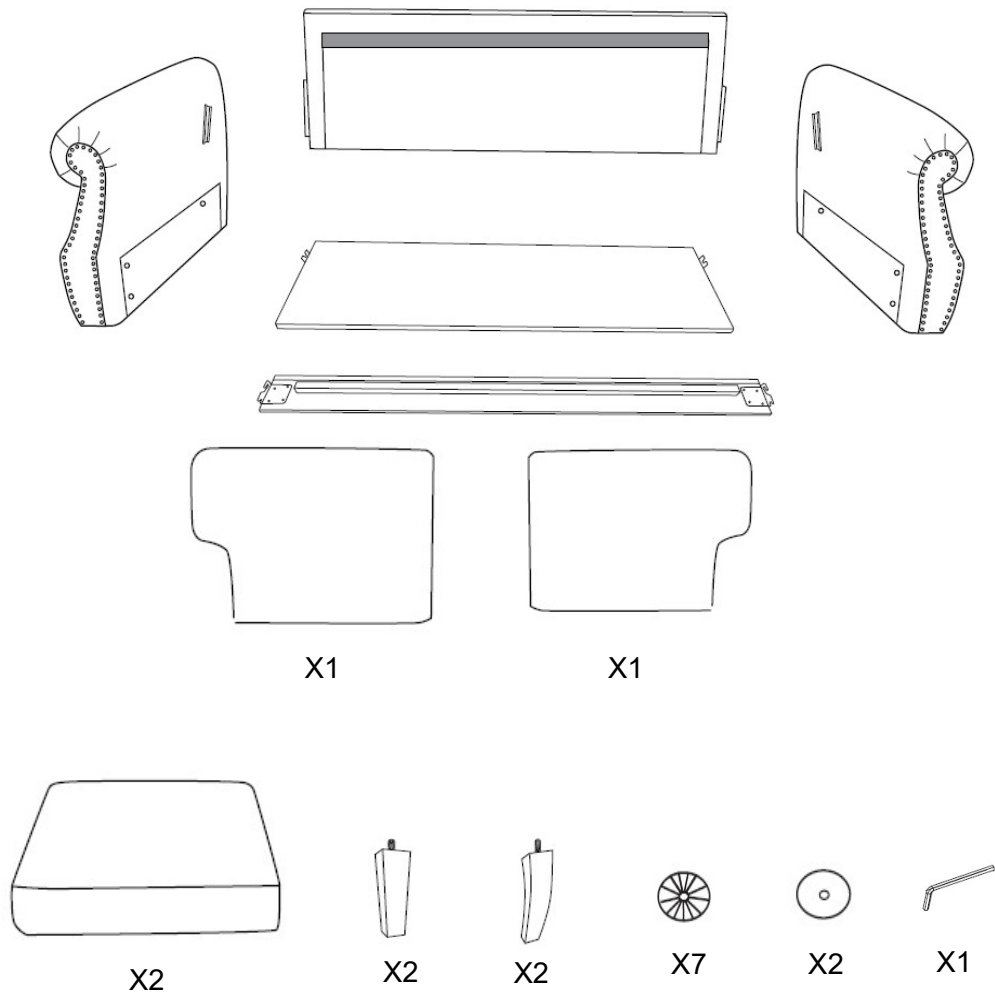
I		Front Leg	2
J		Back Leg	2

Hardware List

Label	Picture	Description	QTY
①		Plastic Washer	7
②		Silicon Washer	2
③		Allen Wrench	1

Assembly Preparation

Before Beginning Assembly:





- Read instructions, cover to cover-



- Have 2 adults on hand for assembly-



- Do not assemble on flooring or carpet-



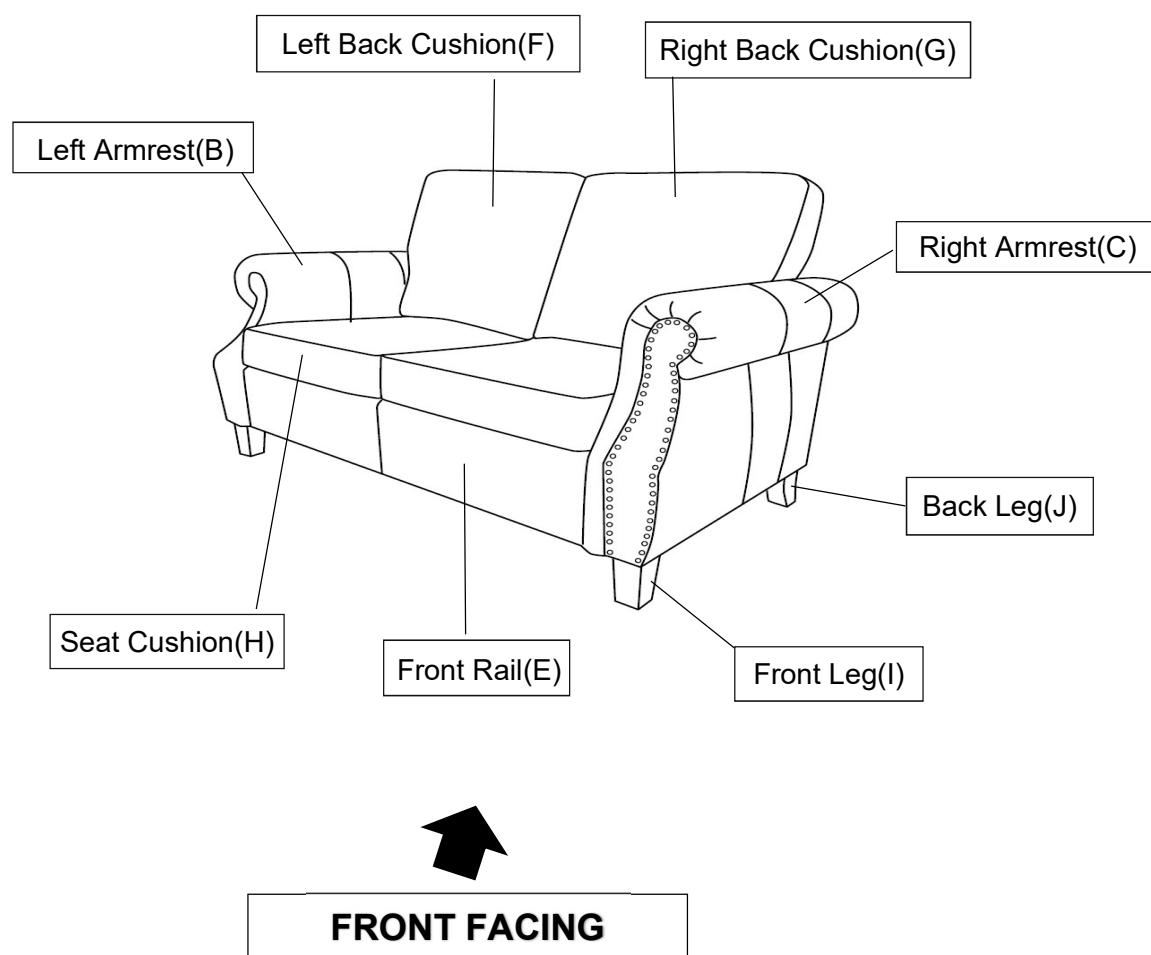
- Assemble on a clean non-marring surface (packing foam)-



- Save all packaging until finished-

Assembly Steps

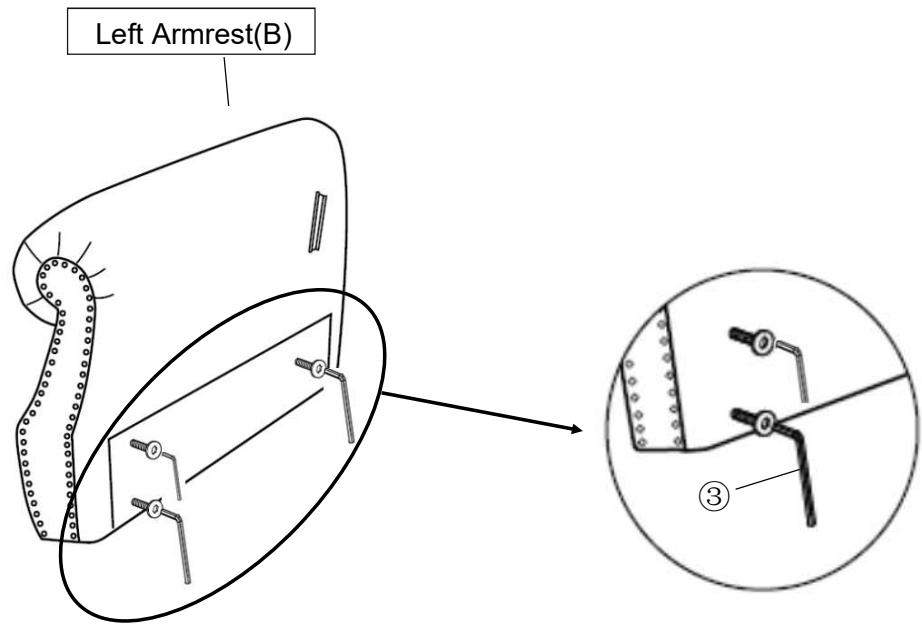
OVERVIEW



This Loveseat has multiple parts and may require up to 60 minutes to assemble. To give you an overview of the Loveseat parts, the above picture is to help you put the various parts into perspective. Please read through the instructions below to familiarise yourself with the parts and steps before assembly.

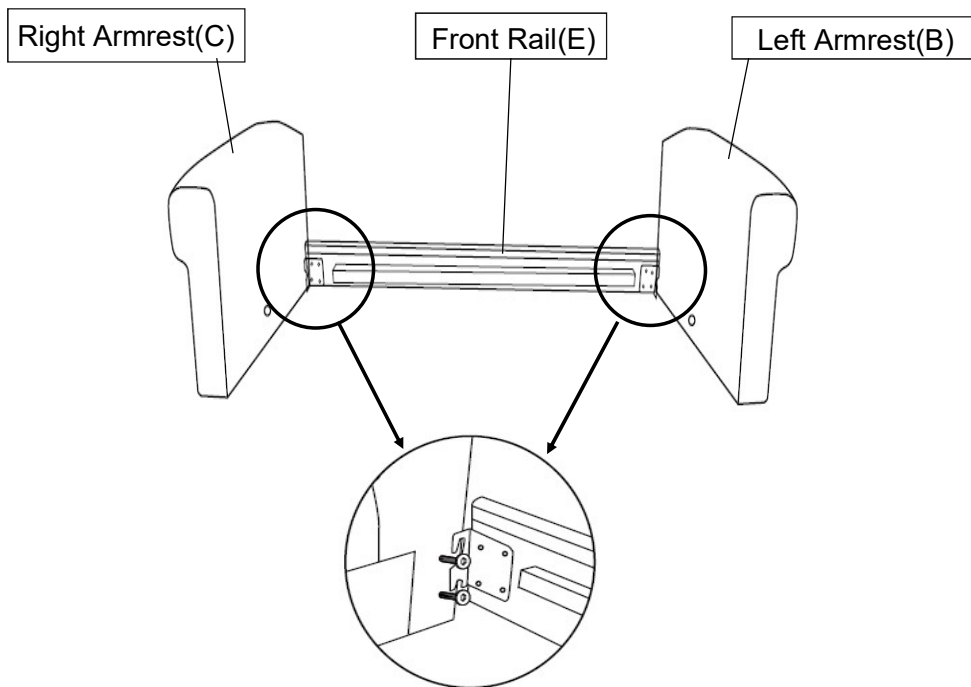
Note: It is recommended that you have an adult partner to assist during the entire assembly process.

Step 1



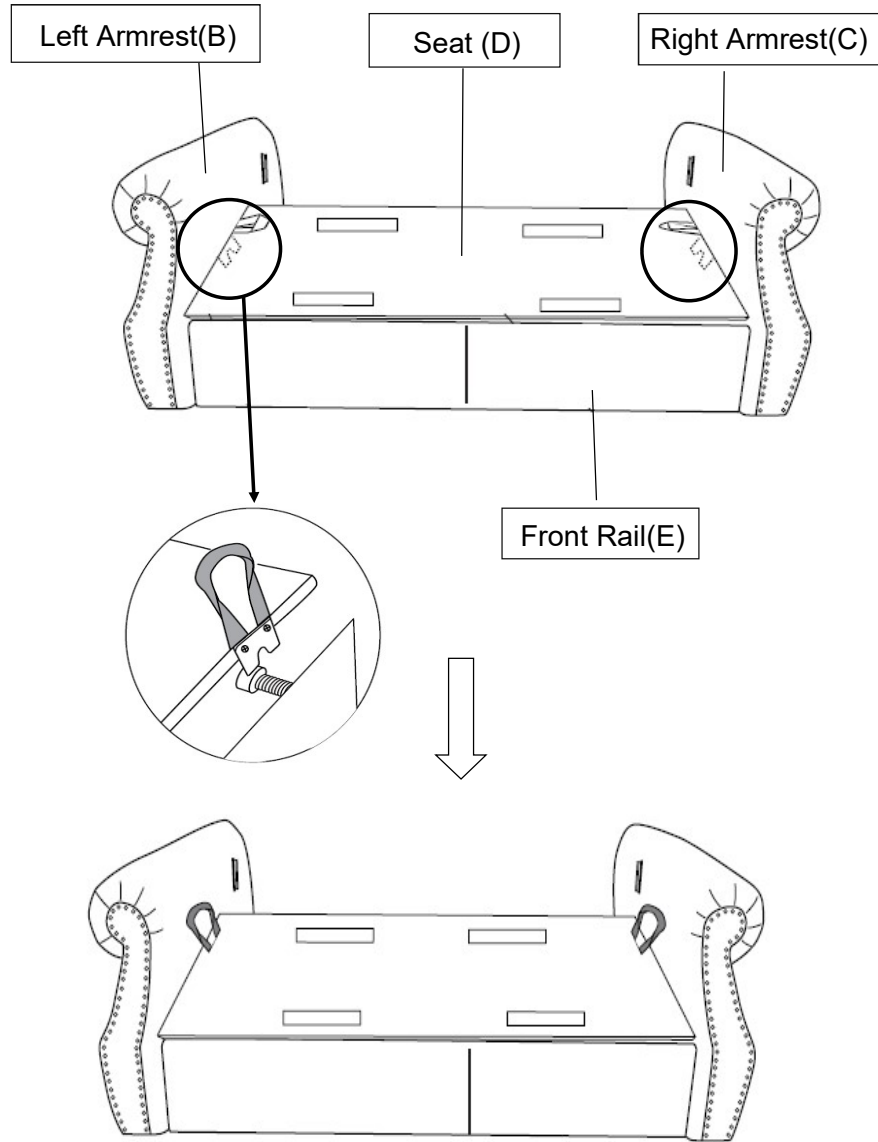
Open the carton and place all parts on a clean non-marring surface.
Loosen the 3 bolts in the Left Armrest(B) about half an inch using the Allen Wrench(③).
Repeat the same step to loosen the 3 bolts on the Right Armrest(C).

Step 2



With the assistance of your adult partner, slide the hooks on each end of the Front Rail(E) into the bolts on the Left Armrest(B) and the Right Armrest(C), as shown in the picture.

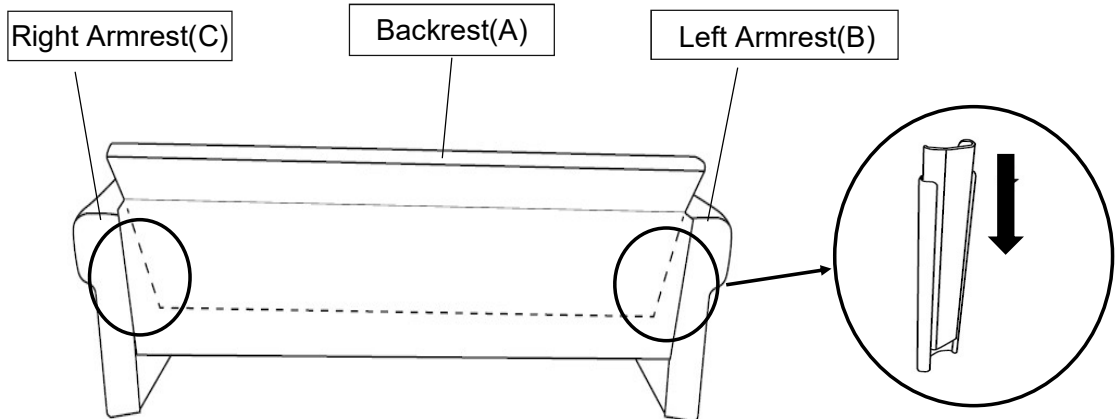
Step 3



With the assistance of your adult partner, lift the rope on the two sides of the Seat(D) by hand. Position the Seat(D) onto the wood bar of the Front Rail(E) and then place it down slowly as shown above.

Note:All the u-shaped metal clips need to be clamped onto the bolts.

Step 4



Slide the Tapered Connectors on the Backrest(A) into the Tapered Connectors on the Left Armrest(B) and the Right Armrest(C) as shown above.

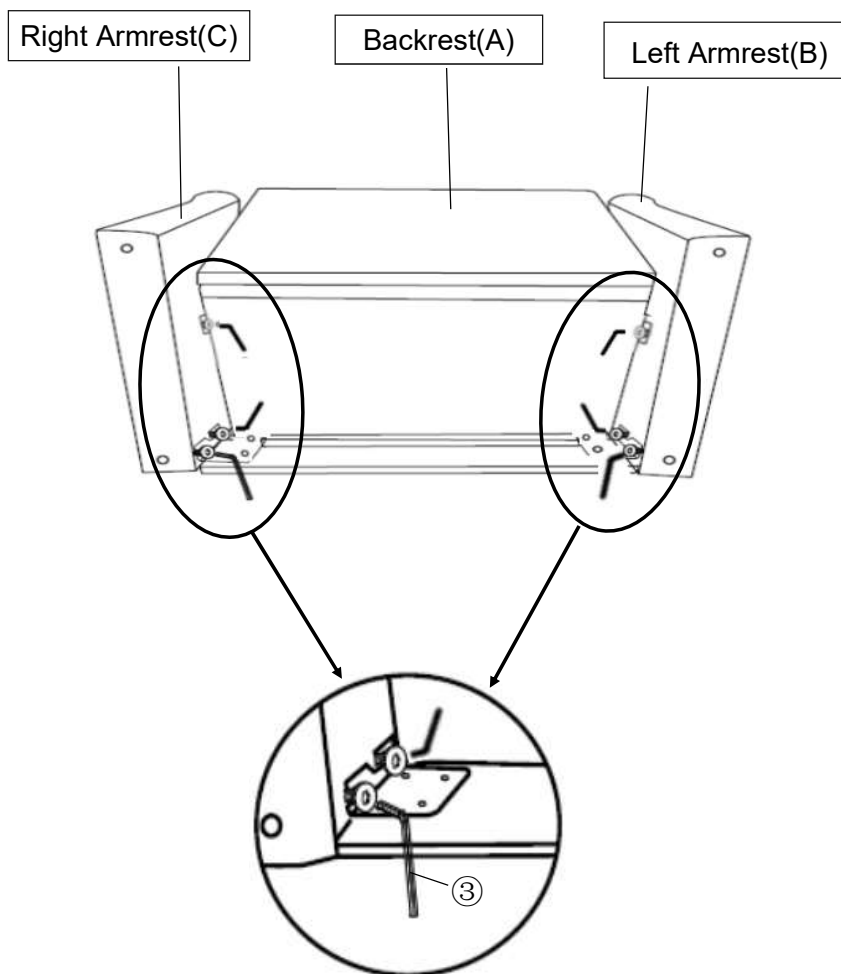
Note: Make sure the Tapered Connectors on the Backrest(A) lock into the Tapered Connectors on the Left Armrest(B) and the Right Armrest(C).

Assistance from an adult partner is necessary for this assembly process.

During this assembly process - do exercise caution. You may need to use your hand to press down and or pave away the padded surface to facilitate the 'slip and slide' assembly.

Caution: Ensure that your fingers do not get caught or pinched in the assembly process.

Step 5

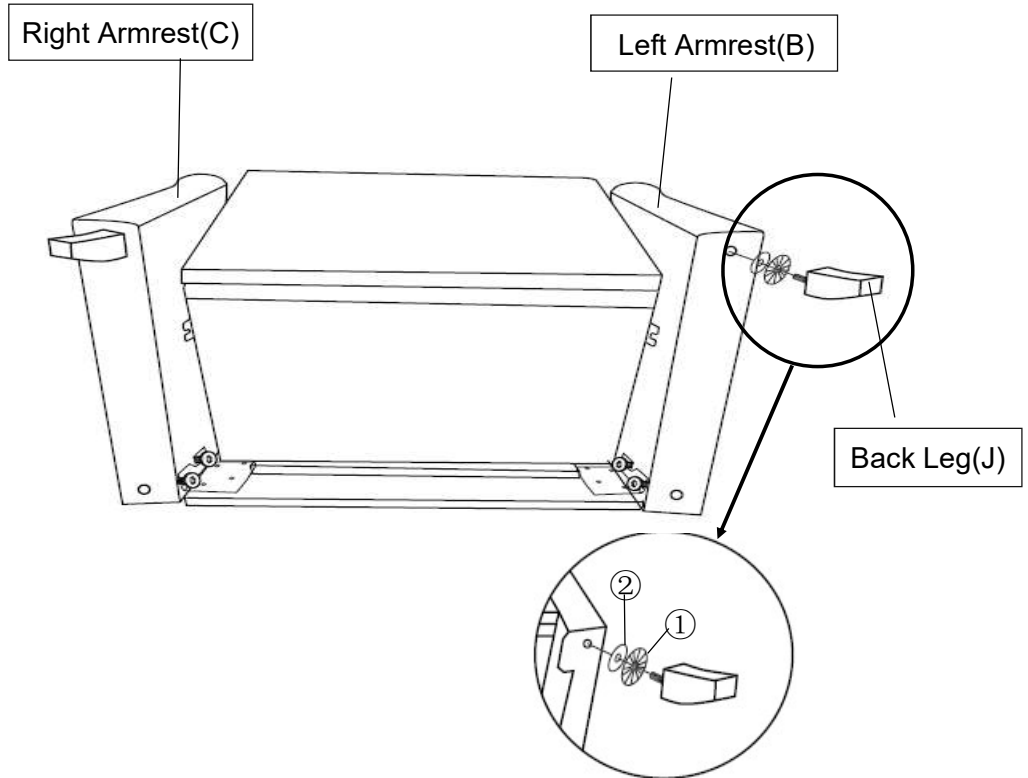


Tilt and lay the Sofa onto a flat surface.

Tighten the Bolts on the bottom of the Left Armrest(B) and the Right Armrest(C) using the Allen Wrench(Ⓝ) as pictured above.

Tighten the Bolts fully in a sequential manner.

Step 6

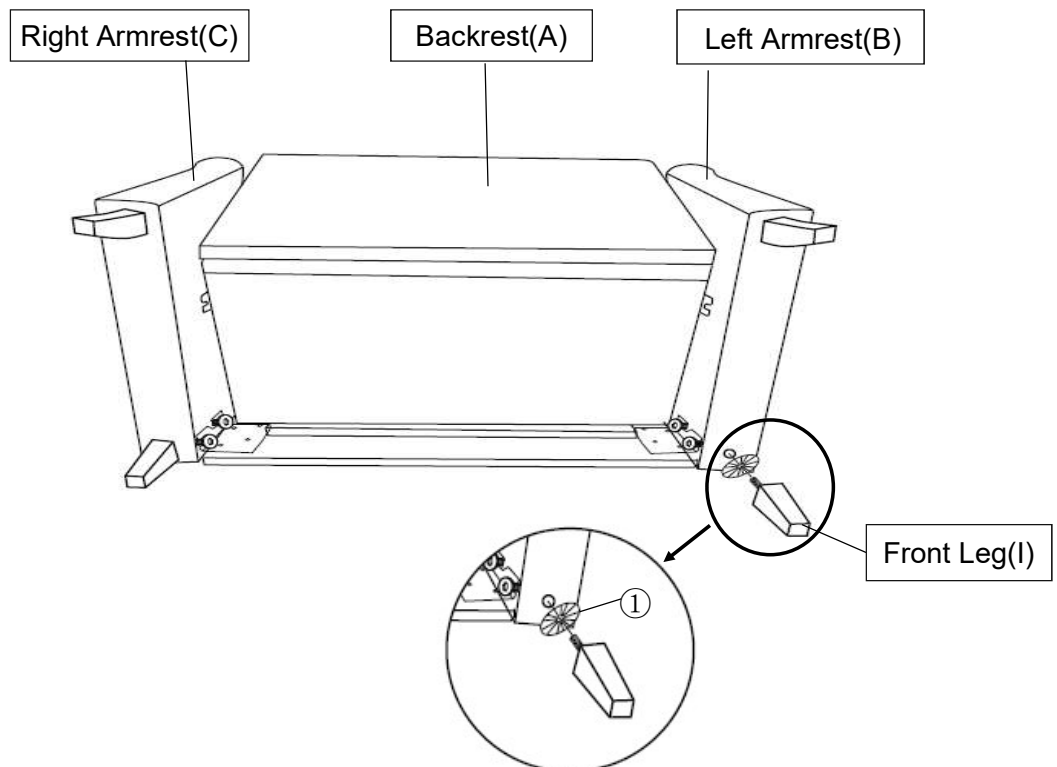


Install a Back Leg(J) to the Left Armrest(B) using a Plastic Washer(①) and a Silicon Washer(②) turning clockwise until tight.

Repeat the same step with the remaining Back Leg(J).

Note: The use of Plastic Washers(①) are OPTIONAL and are especially useful to help alleviate slight wobbleness. Some Legs may need more than one Plastic Washer(①) whilst some Legs may not need any.

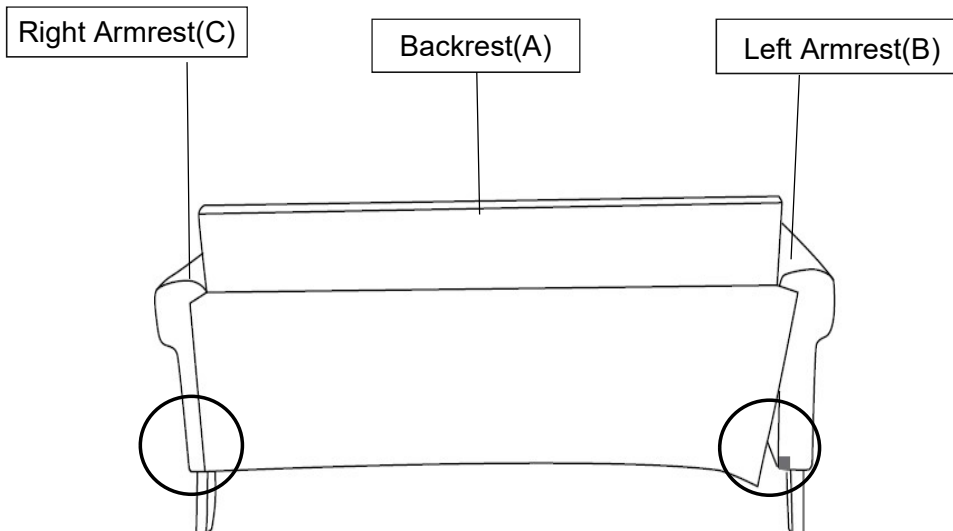
Step 7



Install the Front Leg(I) to the Left Armrest(B) using a Plastic Washer(⓪) turning clockwise until tight. Repeat the same step with the remaining Front Leg(I).

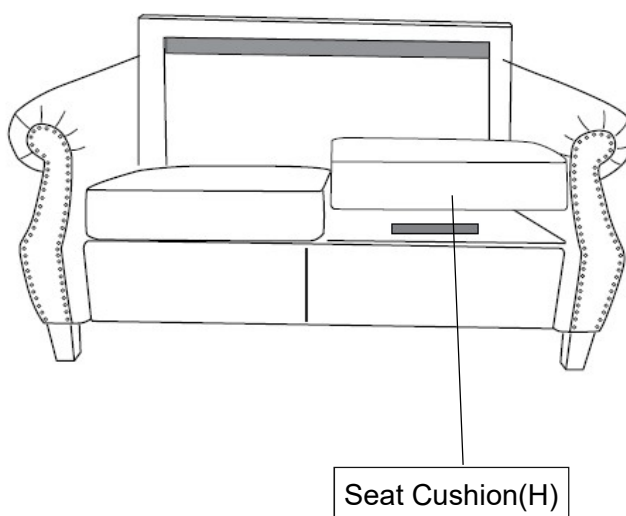
Note: The use of Plastic Washers(⓪) are OPTIONAL and are especially useful to help alleviate slight wobbleness. Some Legs may need more than one Plastic Washer(⓪) whilst some Legs may not need any.

Step 8



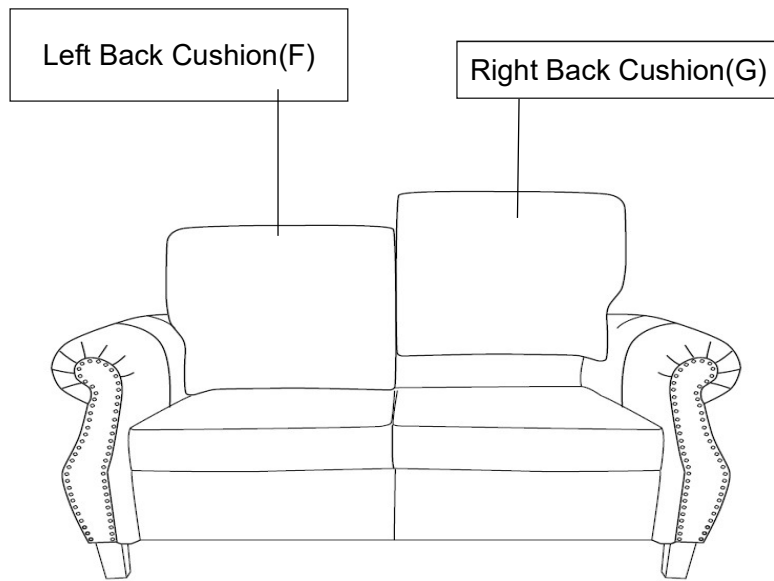
Stick the cover of the Backrest(A) onto the Magic tape of the Left Armrest(B) and the Right Armrest(C).

Step 9



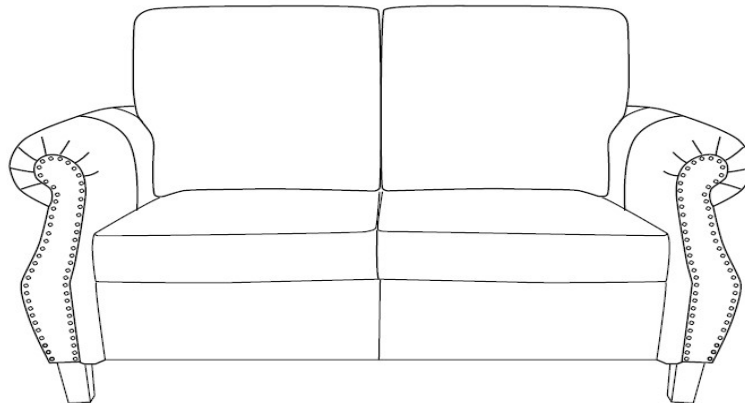
Put the Seat Cushions(H) on the Loveseat.

Step 10



Put the Left Back Cushion(F), and the Right Back Cushion(G) on the Loveseat.

Step 11



Your Loveseat is ready for use.
This Loveseat can only be used on a flat, level surface.

Care & Maintenance



- Furniture may scratch floors. We recommend using furniture pads to protect your floors.



- Do not put hot items directly on furniture surface.



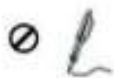
- Do not clean furniture with harsh cleansers or polish.



- Do not place furniture under direct sunlight.



- Do not place furniture near heating or cooling vents.



- Do not write on furniture without a padded barrier to protect the surface.



- Do not place furniture outside . For indoor use only.



- Not for commercial use. For residential use only.



- Stains may be removed with mild soap solution and damp cloth.



- Children should not climb or jump on the furniture.



- Dust and pick-up spills using a clean, non-colored, lint-free cloth.