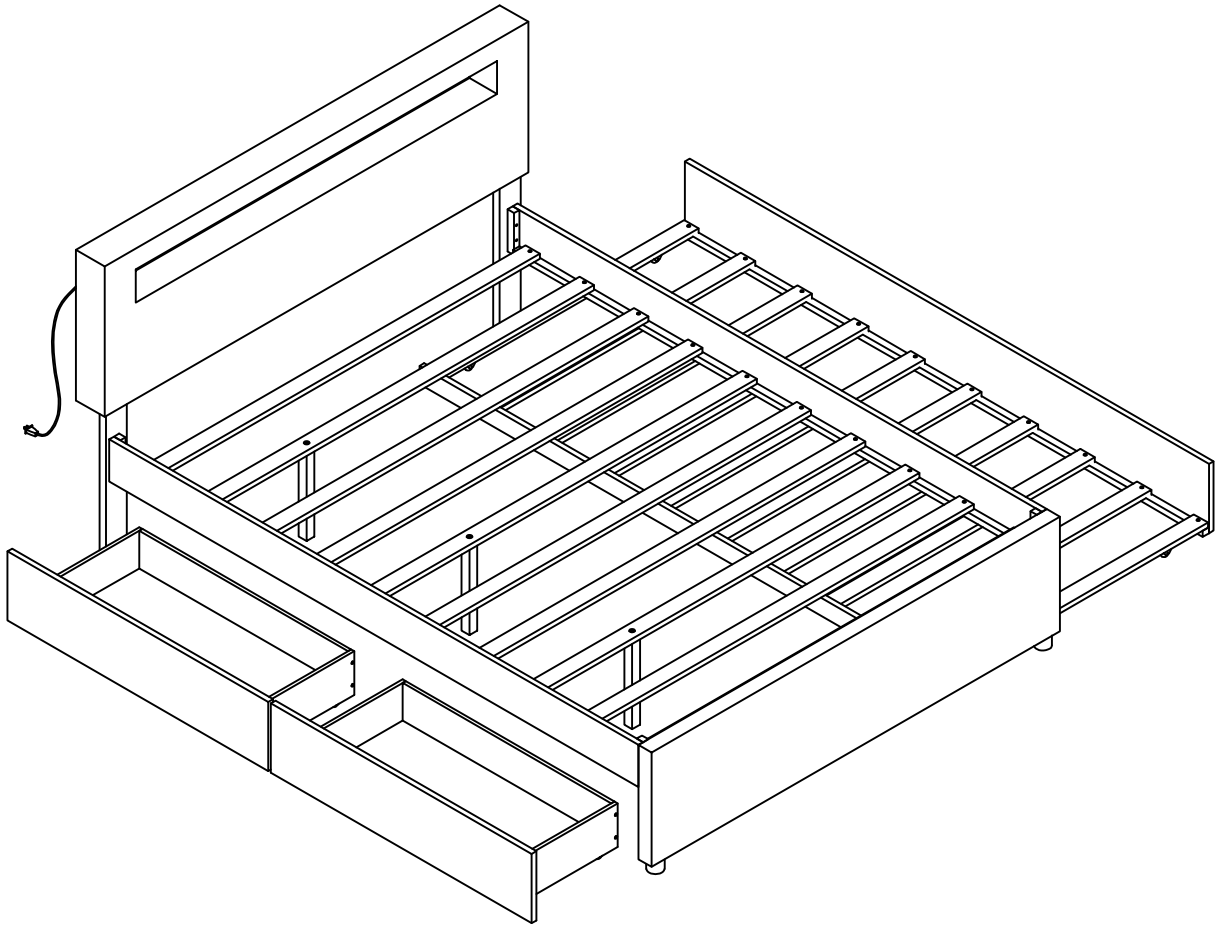
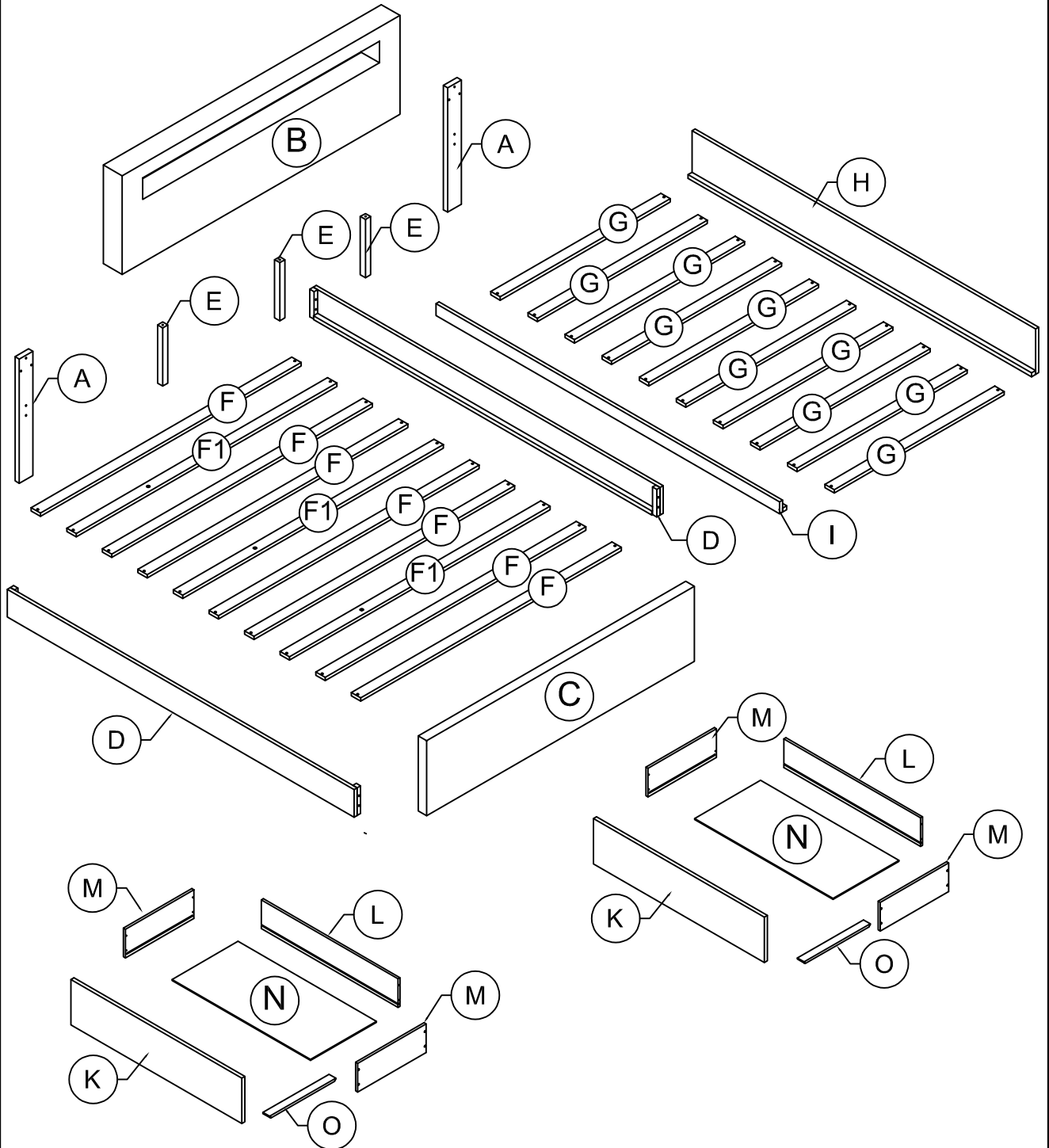


ASSEMBLY INSTRUCTION

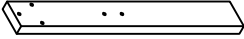
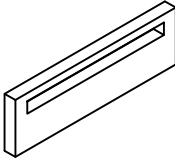
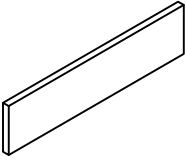
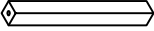
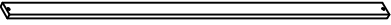
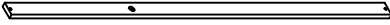

SKU CODE: (WF306833/WF306834)



ASSEMBLY INSTRUCTION

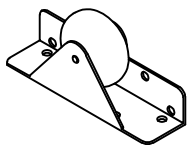


Part List (WF306833)

<p>A</p>  <p>Leg (HB Font) - 2pcs</p>	<p>B</p>  <p>HB Frames - 1pcs</p>	<p>C</p>  <p>FB Frames - 1pcs</p>
<p>E</p>  <p>Support Leg - 3pcs</p>	<p>F</p>  <p>Slats - 7pcs</p>	<p>F1</p>  <p>Slats - 3pcs</p>
<p>N</p>  <p>Drawers - Bottom Panel - 2pcs</p>		

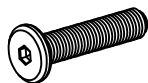
Hardware List (WF306833)

1



Wheels 12pcs

2



1/4" x 40mm
Hex-Head bolts 6pcs

3



Allen Key 1pcs

4



Plastic Feet(Ø50x40)
2pcs

5



Steel Bracket
3pcs

6



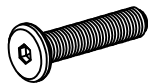
Plastic Drawer Stopper
8 pcs

7



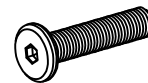
M4 x 15 mm
Wood Screws 44pcs

8



1/4" x 30mm
Hex-Head bolts 3pcs

9

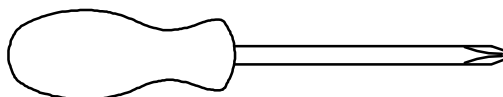


1/4" x 50mm
Hex-Head bolts 8pcs

10

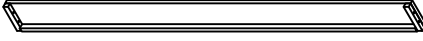
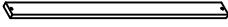

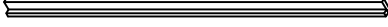
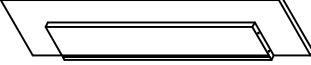


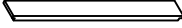


M4 x 30 mm
Wood Screws 56pcs

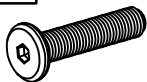



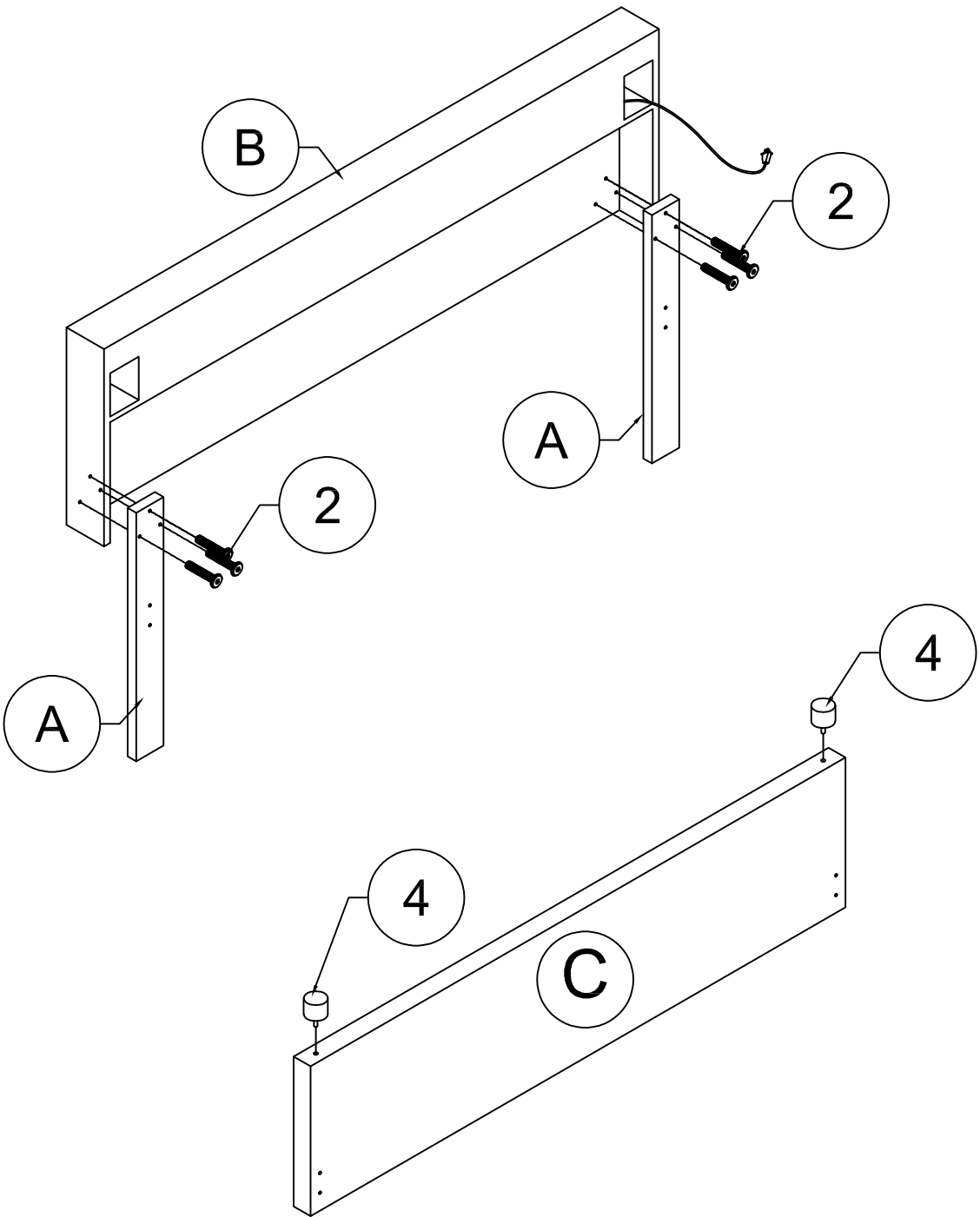
Assembly Tools Required (Not Included)

Part List (WF306834)



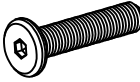
<p>D</p>  <p>Side Rails - 2pcs</p>	<p>G</p>  <p>Slats - 10pcs</p>	<p>H</p>  <p>Font Trundle - 1pcs</p>
<p>I</p>  <p>Back Trundle - 1pcs</p>	<p>K</p>  <p>Drawers - Front Panel - 2pcs</p>	<p>L</p>  <p>Drawers - Back Panel - 2pcs</p>
<p>M</p>  <p>Drawers - Side Panel - 4pcs</p>	<p>O</p>  <p>Drawers - Support Bottom - 2pcs</p>	

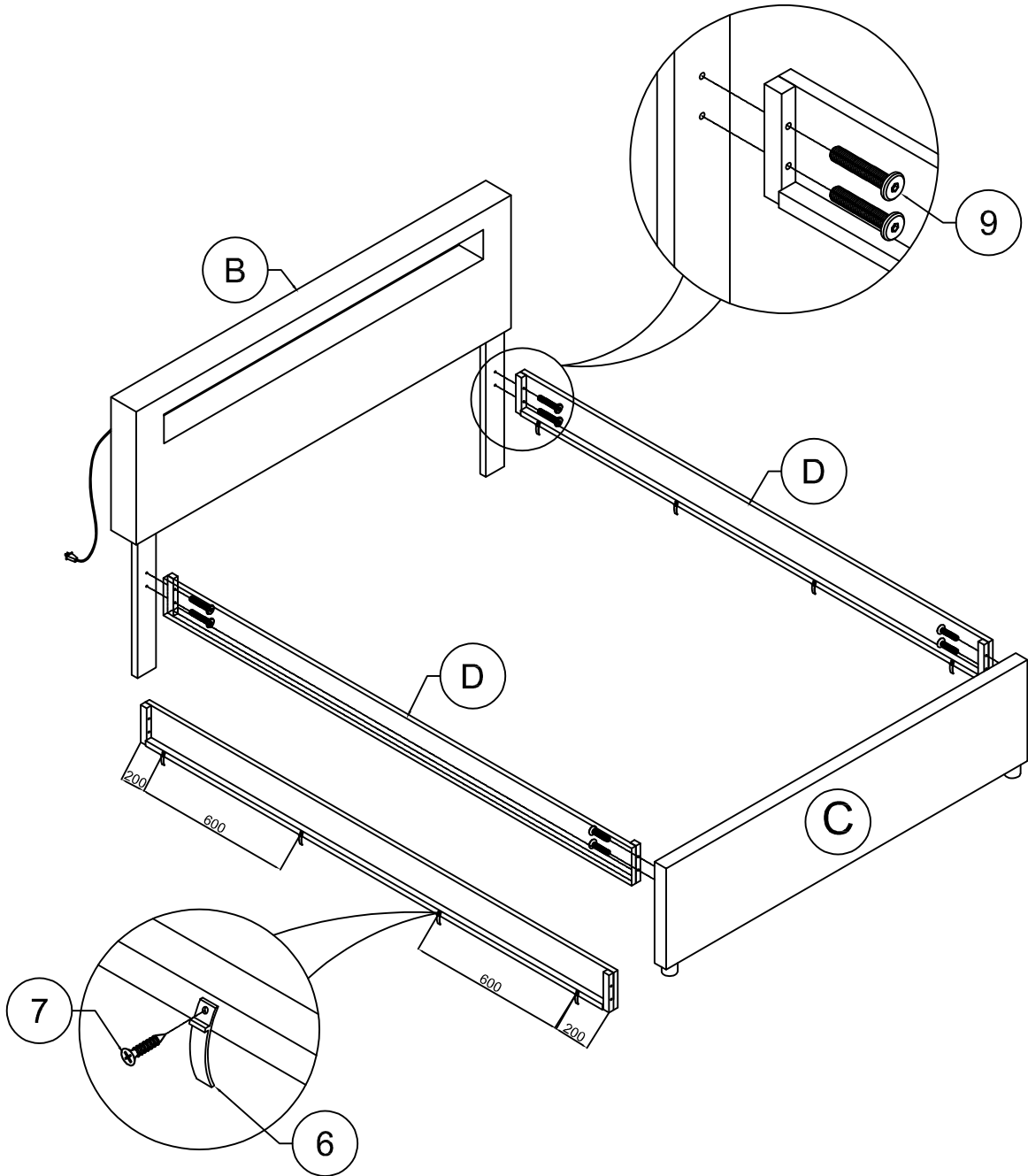
STEP 1: Following below illustration:

2	4
	
6pcs	2pcs

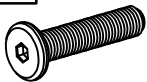



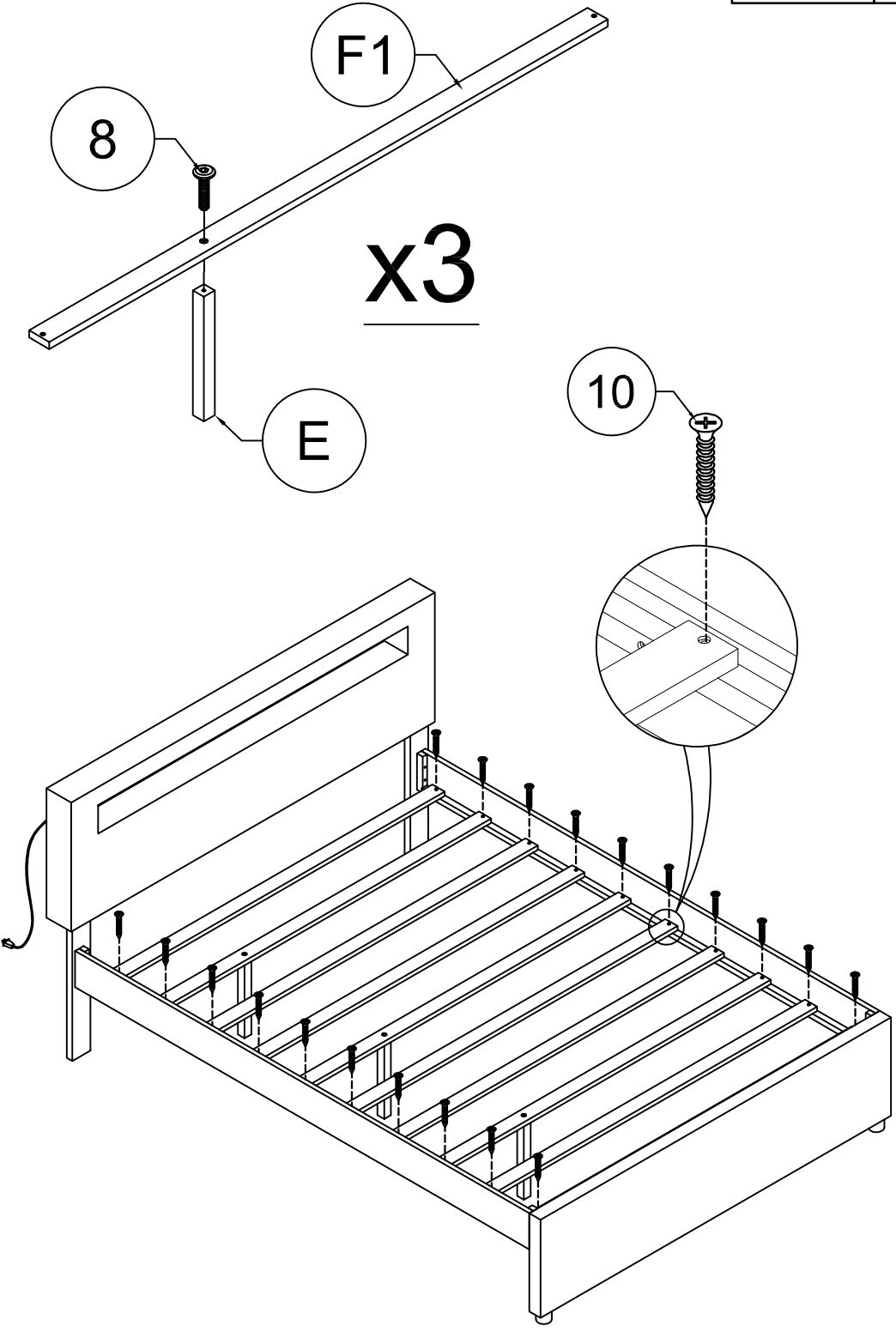
STEP 2: Following below illustration:

6		7		9	
8pcs		8pcs		8pcs	




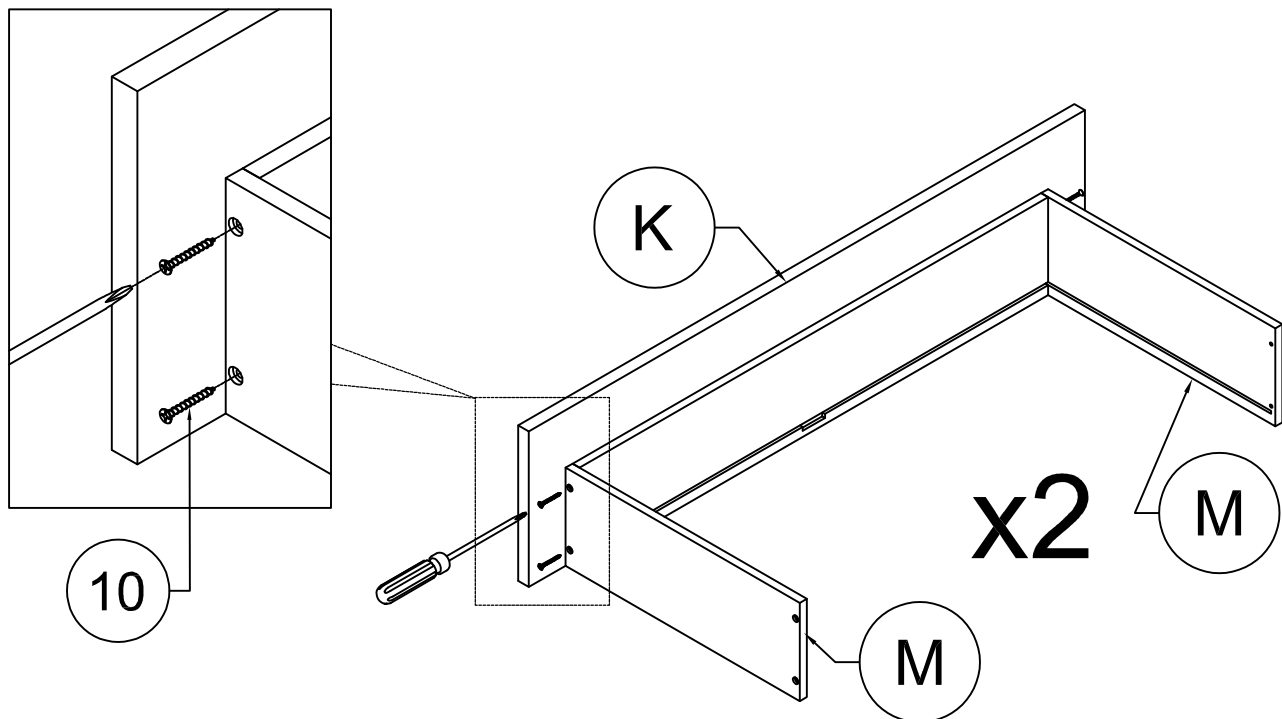
STEP 3: Following below illustration:

8	10
	
3pcs	20pcs

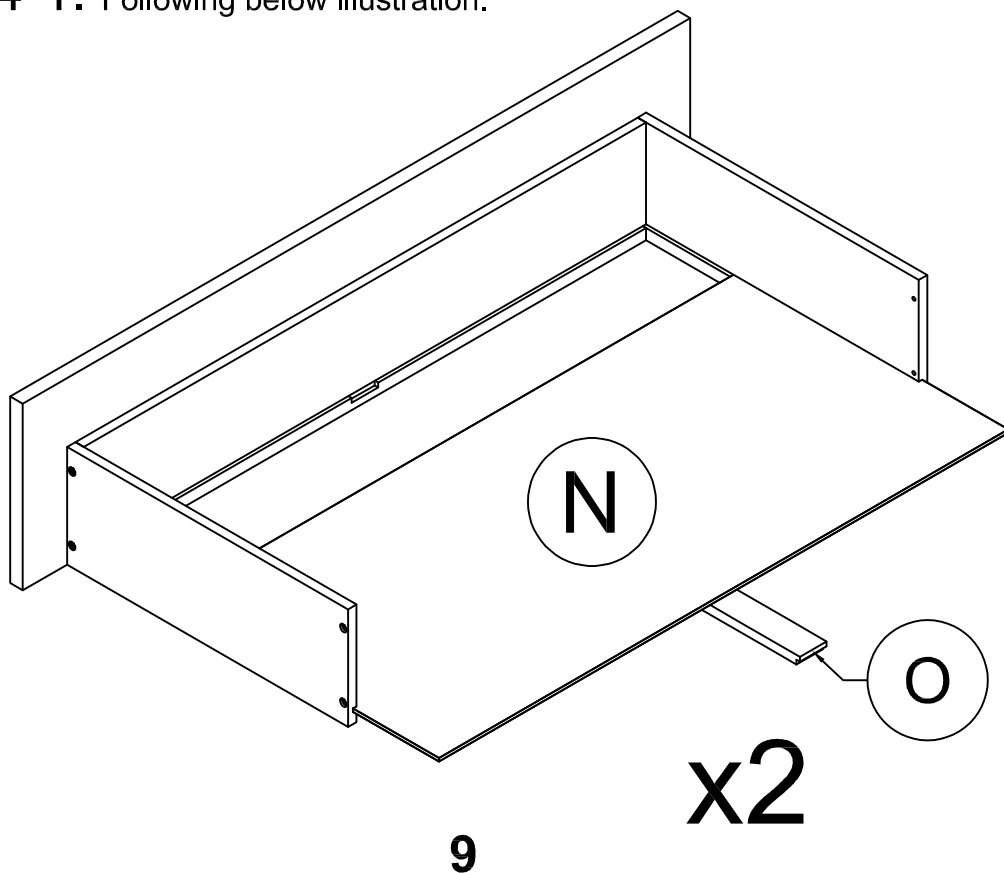


STEP 4: Following below illustration:


10

8pcs



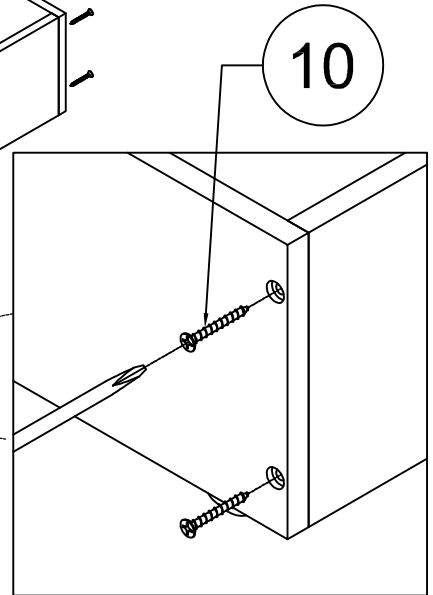
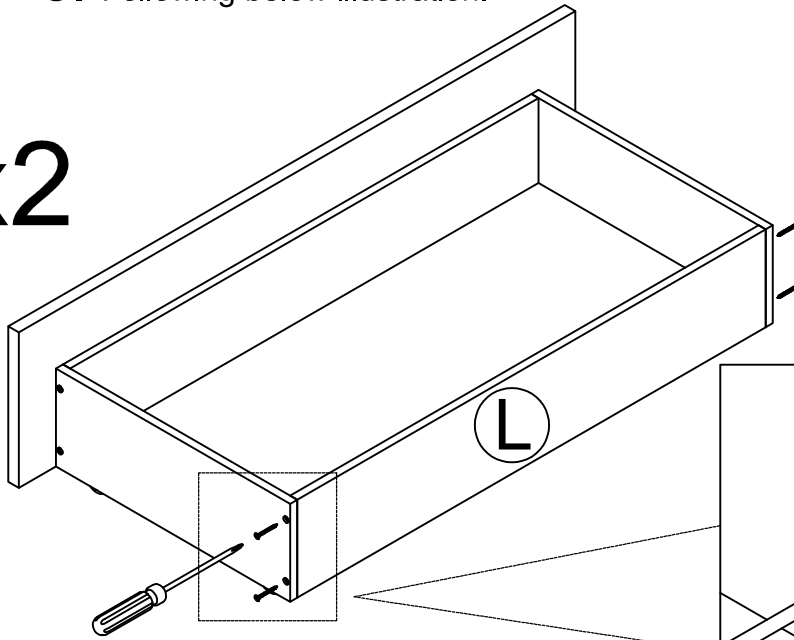
STEP 4-1: Following below illustration:



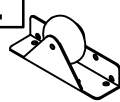
STEP 5: Following below illustration:


10	
8pcs	

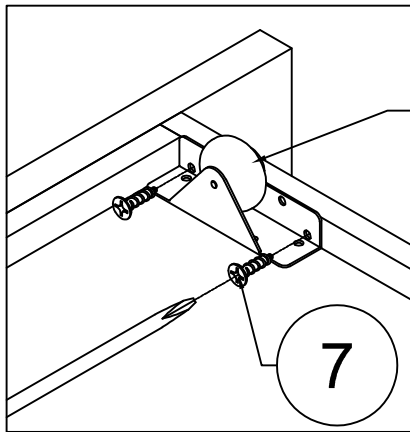
x2



STEP 5-1: Following below illustration:

1	
8pcs	

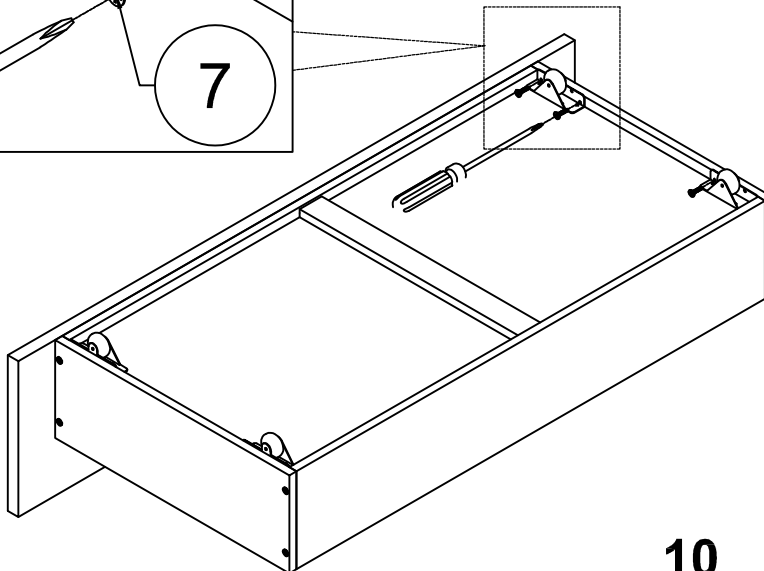
7	
16pcs	



1

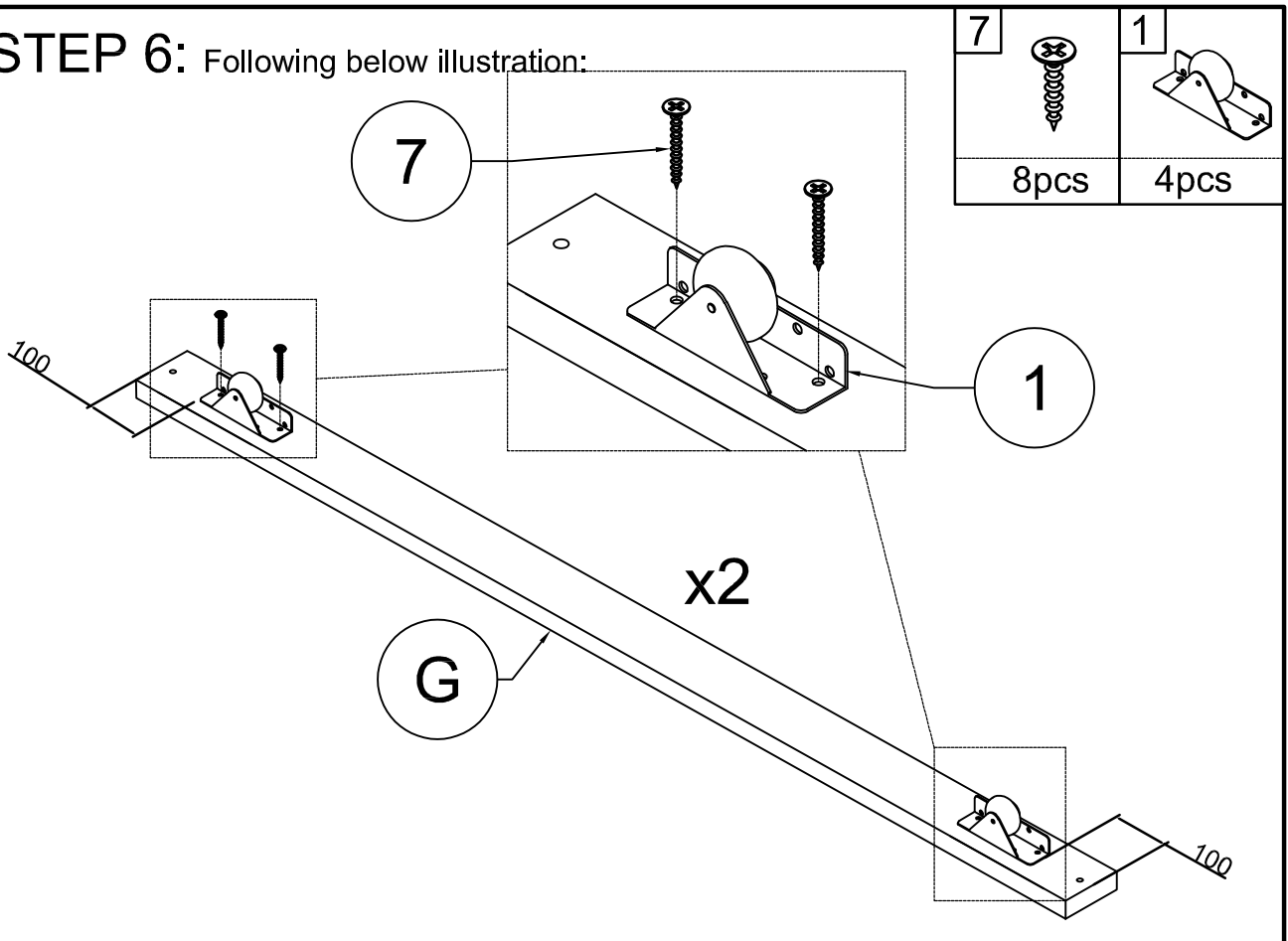
7

x2

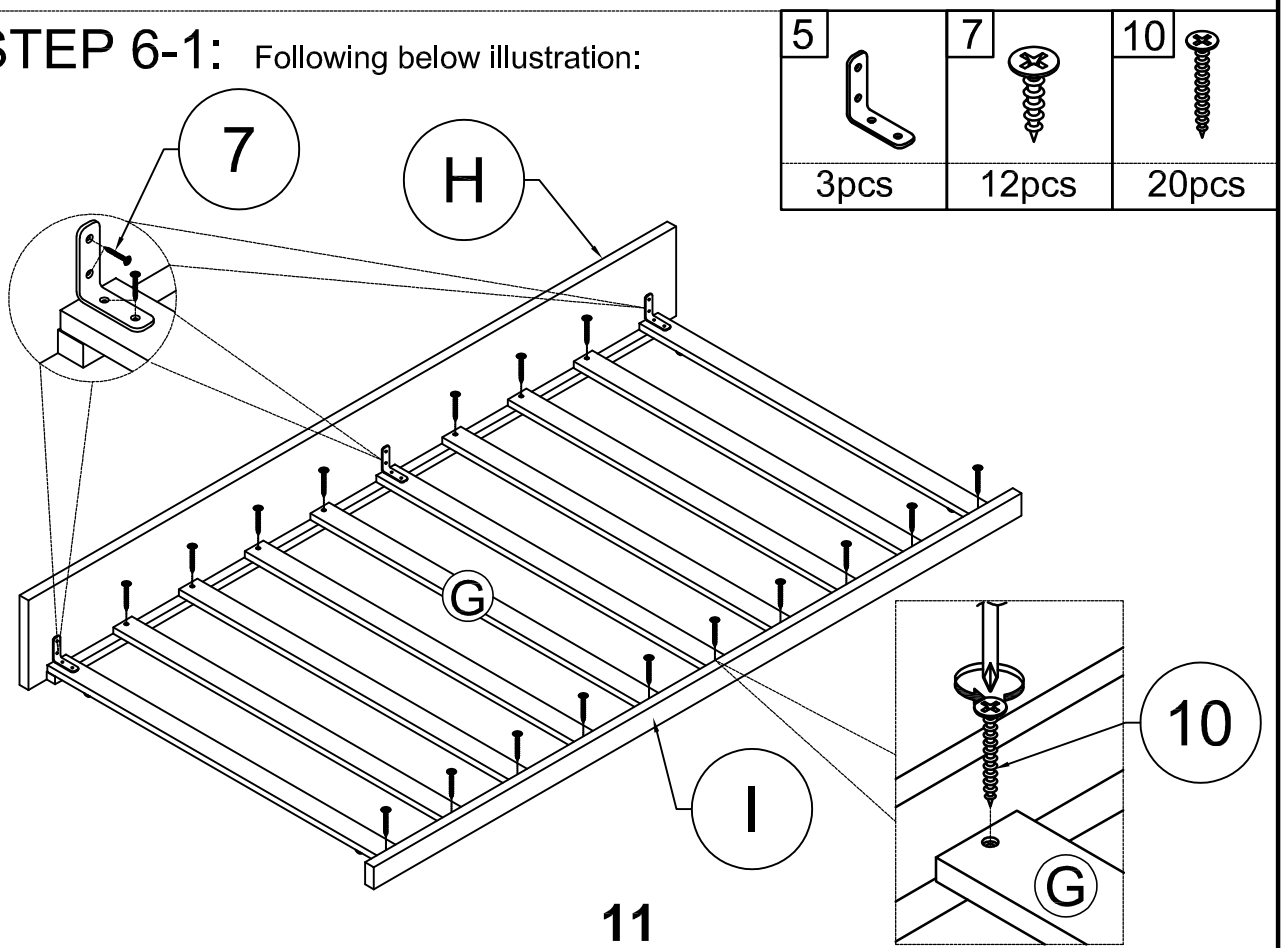


10

STEP 6: Following below illustration:



STEP 6-1: Following below illustration:



FINISH

