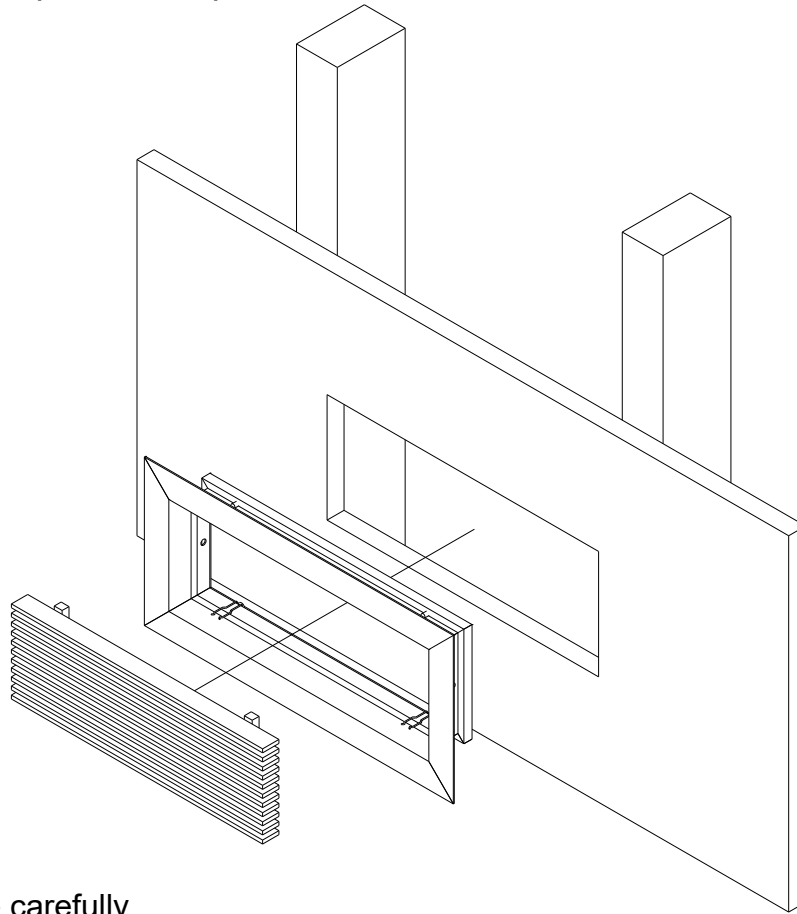


Installation Guide – V3 Ventilation Grille (Wall Mount)

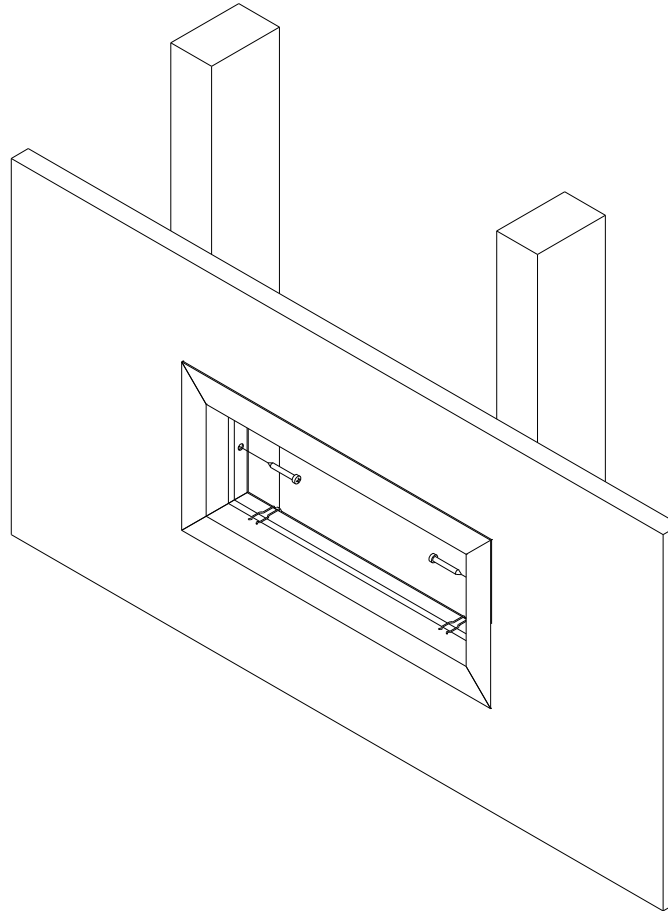


Installation Steps:

- 1- Remove the core (insert) from the grille carefully.

Tip: Avoid applying excessive force when inserting the core to prevent damage to painted or anodized surfaces.

*This product is not designed for ceiling installation.

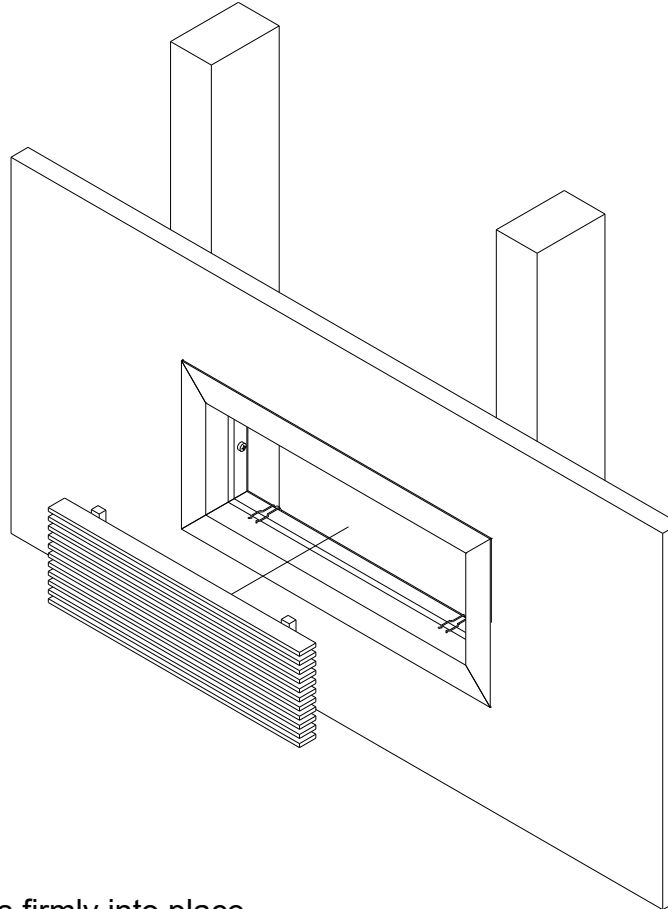


Installation Steps:

- 2- Insert the grille frame into the wall opening.
- 3- Secure the frame using the two provided screws.

Tip: Avoid applying excessive force when inserting the core to prevent damage to painted or anodized surfaces.

*This product is not designed for ceiling installation.

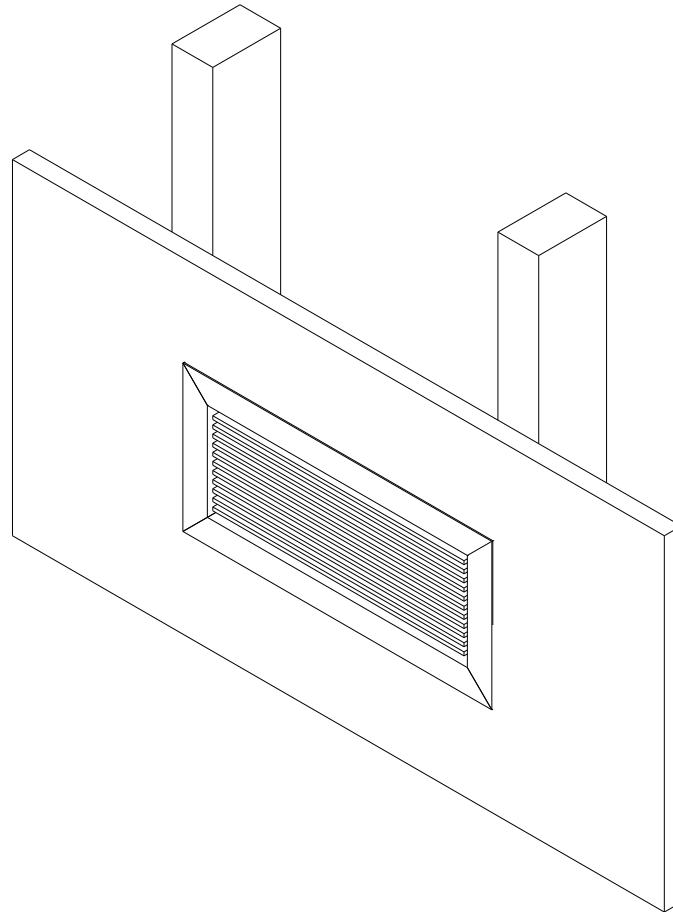


Installation Steps:

- 4- Reinsert the core into the frame until it clicks firmly into place.
- 5- Check final alignment: the grille should be straight and stable.

Tip: Avoid applying excessive force when inserting the core to prevent damage to painted or anodized surfaces.

*This product is not designed for ceiling installation.



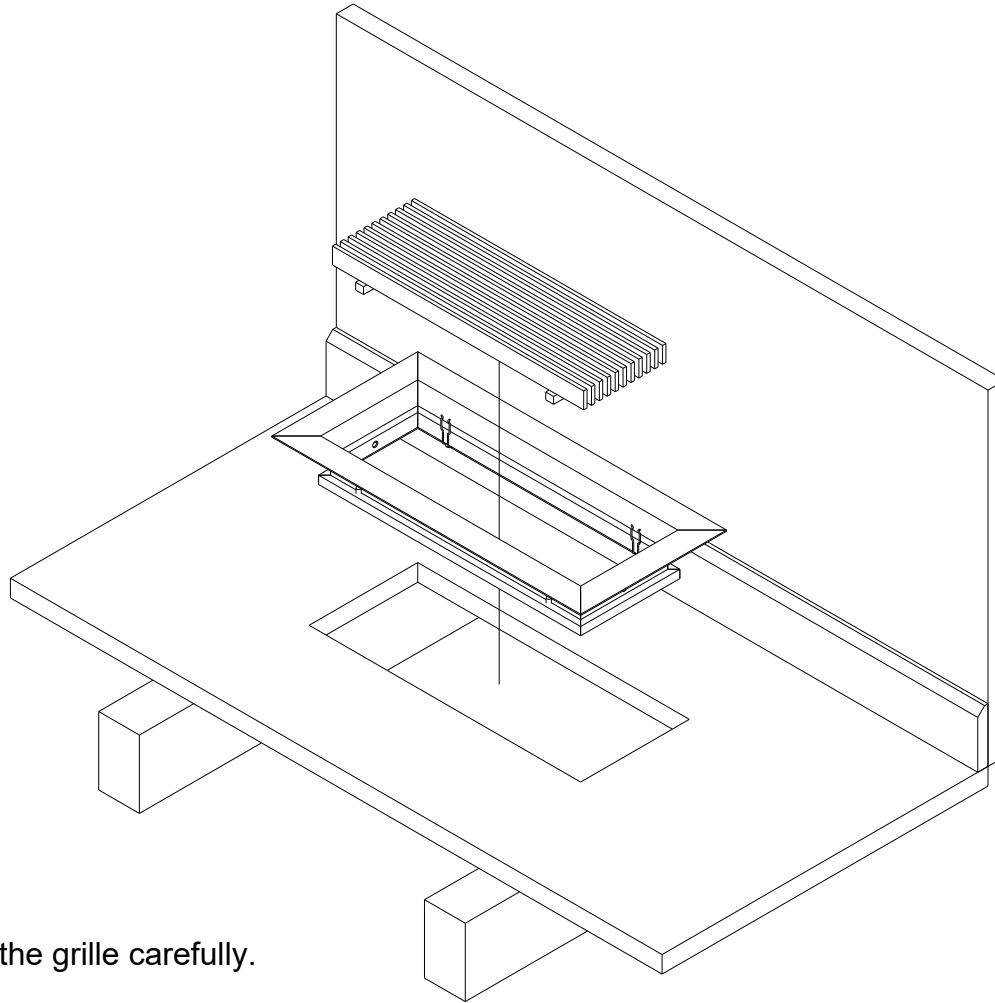
Installation Steps:

6- Your V3 grille is now ready for use.

Tip: Avoid applying excessive force when inserting the core to prevent damage to painted or anodized surfaces.

*This product is not designed for ceiling installation.

Installation Guide – V3 Ventilation Grille (Floor Mount)



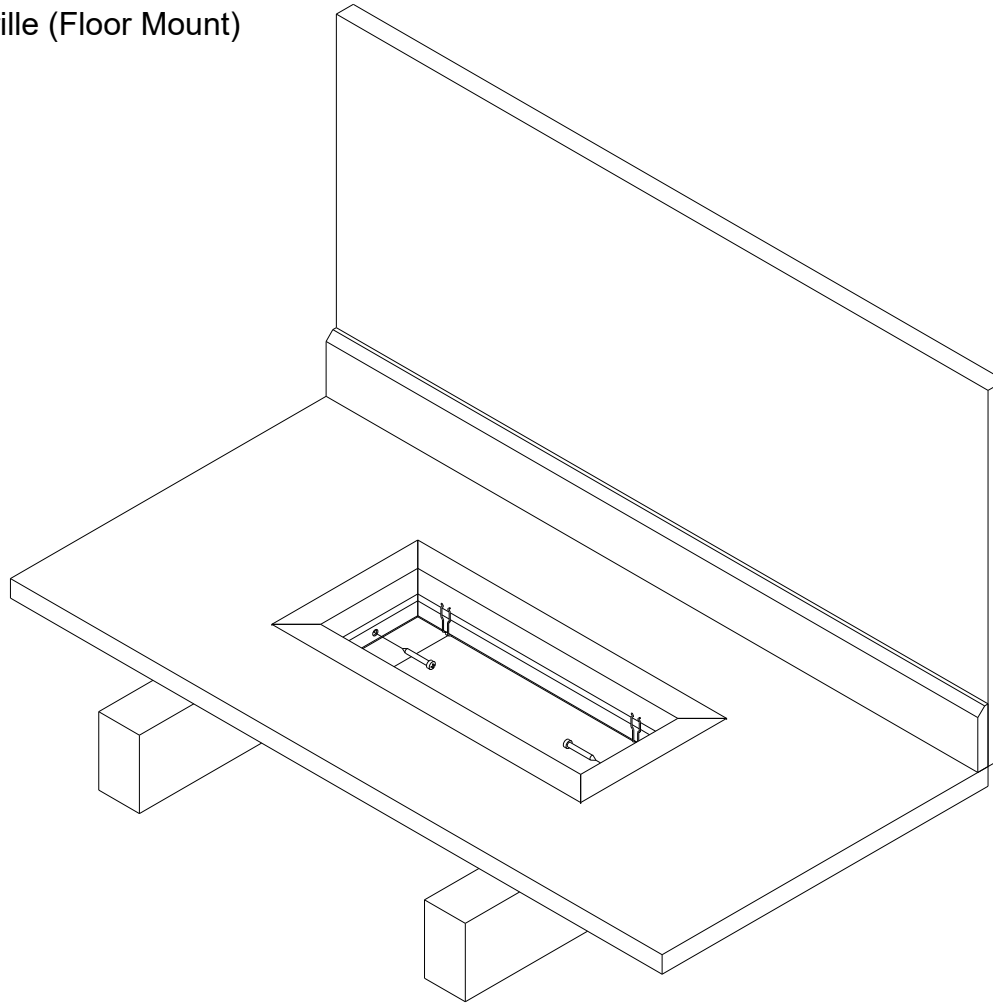
Installation Steps:

- 1- Remove the core (insert) from the grille carefully.

Tip: When cleaning the floor, avoid abrasive products or excessive water that could seep into the grille.

*This product is not designed for ceiling installation.

Installation Guide – V3 Ventilation Grille (Floor Mount)



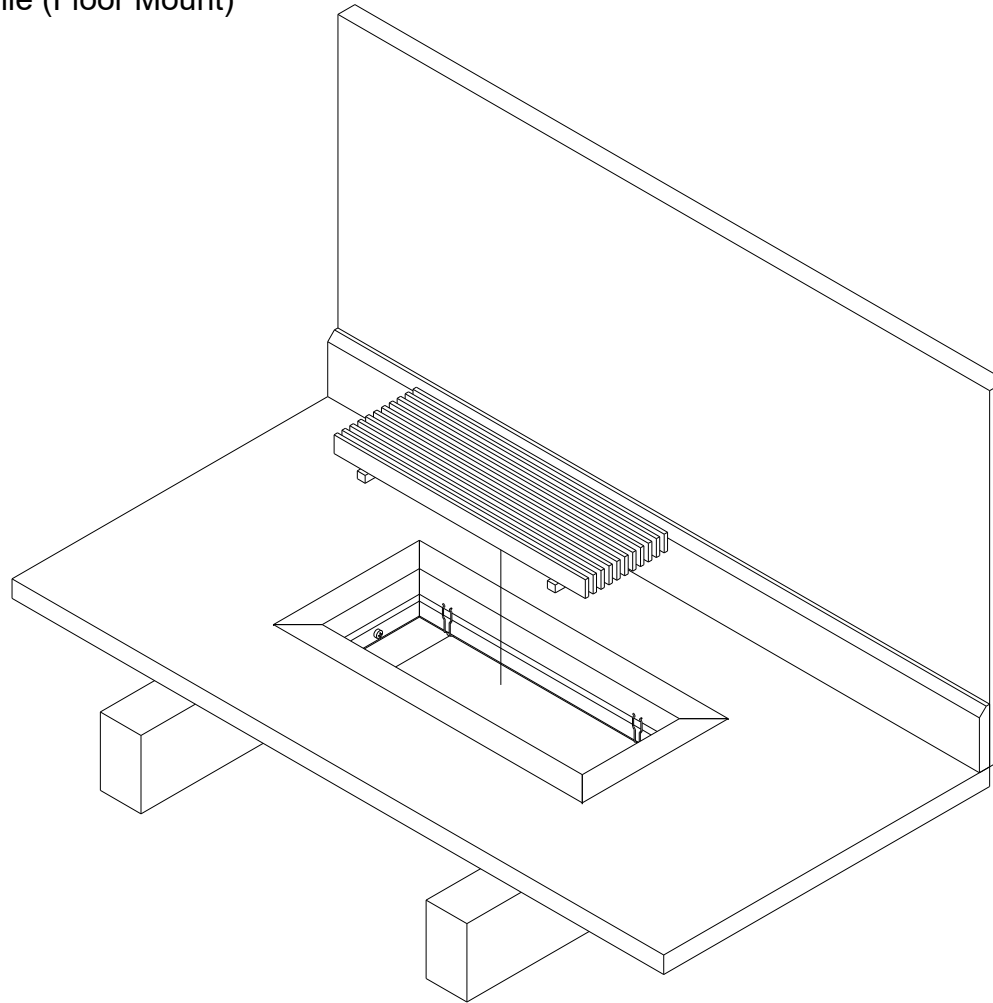
Installation Steps:

- 2- Insert the grille frame into the prepared floor opening.
- 3- Secure the frame firmly using the provided screws, ensuring it is level with the floor surface.

Tip: When cleaning the floor, avoid abrasive products or excessive water that could seep into the grille.

*This product is not designed for ceiling installation.

Installation Guide – V3 Ventilation Grille (Floor Mount)



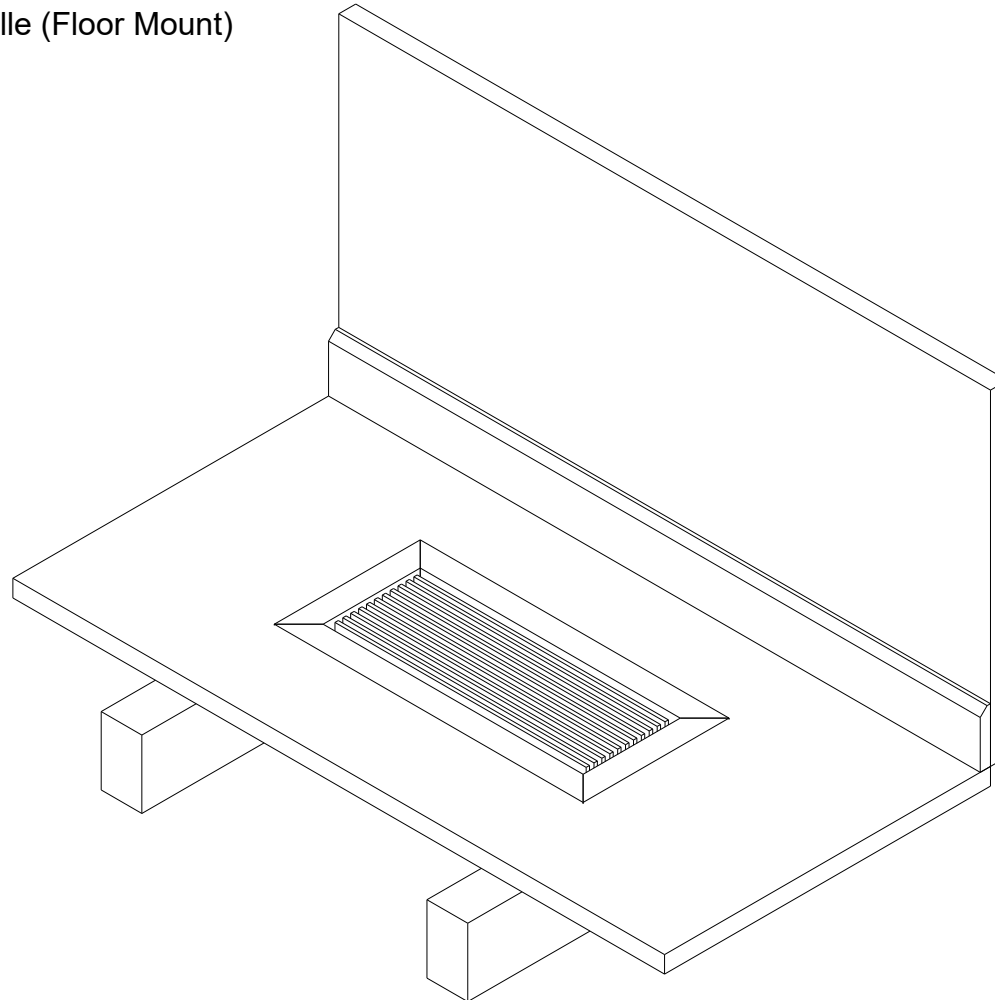
Installation Steps:

- 4- Reinsert the core into the frame until it clicks securely into place.
- 5- Check final alignment: the grille should sit flush and stable with the floor surface.

Tip: When cleaning the floor, avoid abrasive products or excessive water that could seep into the grille.

*This product is not designed for ceiling installation.

Installation Guide – V3 Ventilation Grille (Floor Mount)



Installation Steps:

6- Your V3 grille is now fully installed and ready for use.

Tip: When cleaning the floor, avoid abrasive products or excessive water that could seep into the grille.

*This product is not designed for ceiling installation.