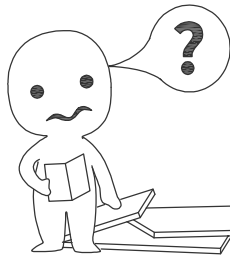
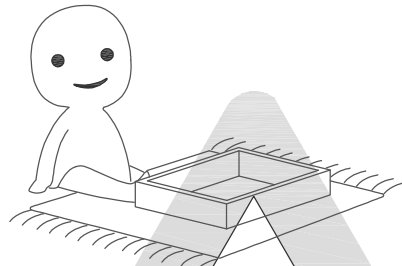
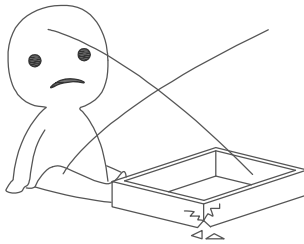


NOTE: Please contact us in time. If you find any accessories missing or damaged in the package, we will send you the corresponding accessories for free.



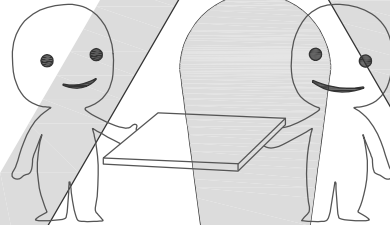
IMPORTANT INFORMATION!

please read the entire manual before starting to assemble and/or using this product. follow the manual thoroughly and keep it for further reference.



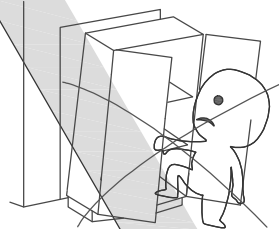
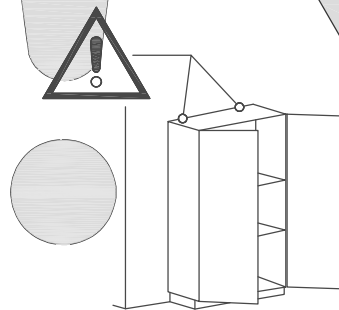
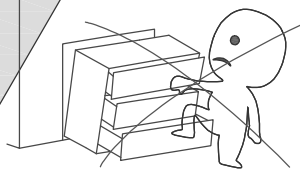
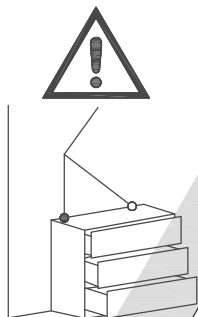
AVOID SCRATCHES!

In order to avoid scratching this furniture should be assembled on a soft layer—could be a rug.



IMPROVE EFFICIENCY !

Try to find a partner to install with you, which can speed up the installation efficiency and shorten the time.



ANTI-TOPPLE WARNING !

Overturned furniture can cause serious or fatal crush injuries. To prevent tipping over, be sure to use the wall attachment, if not included with this product. Please purchase the wall attachment that fit your wall. If unsure, seek professional advice. Please read and follow each step of the instructions carefully.

IMPORTANT !












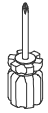
It is important that any product which is assembled using any kind of screw is re-tightened 2 weeks after assembly, and once every 3 months - in order to assure stability through-out the lifespan of the product.

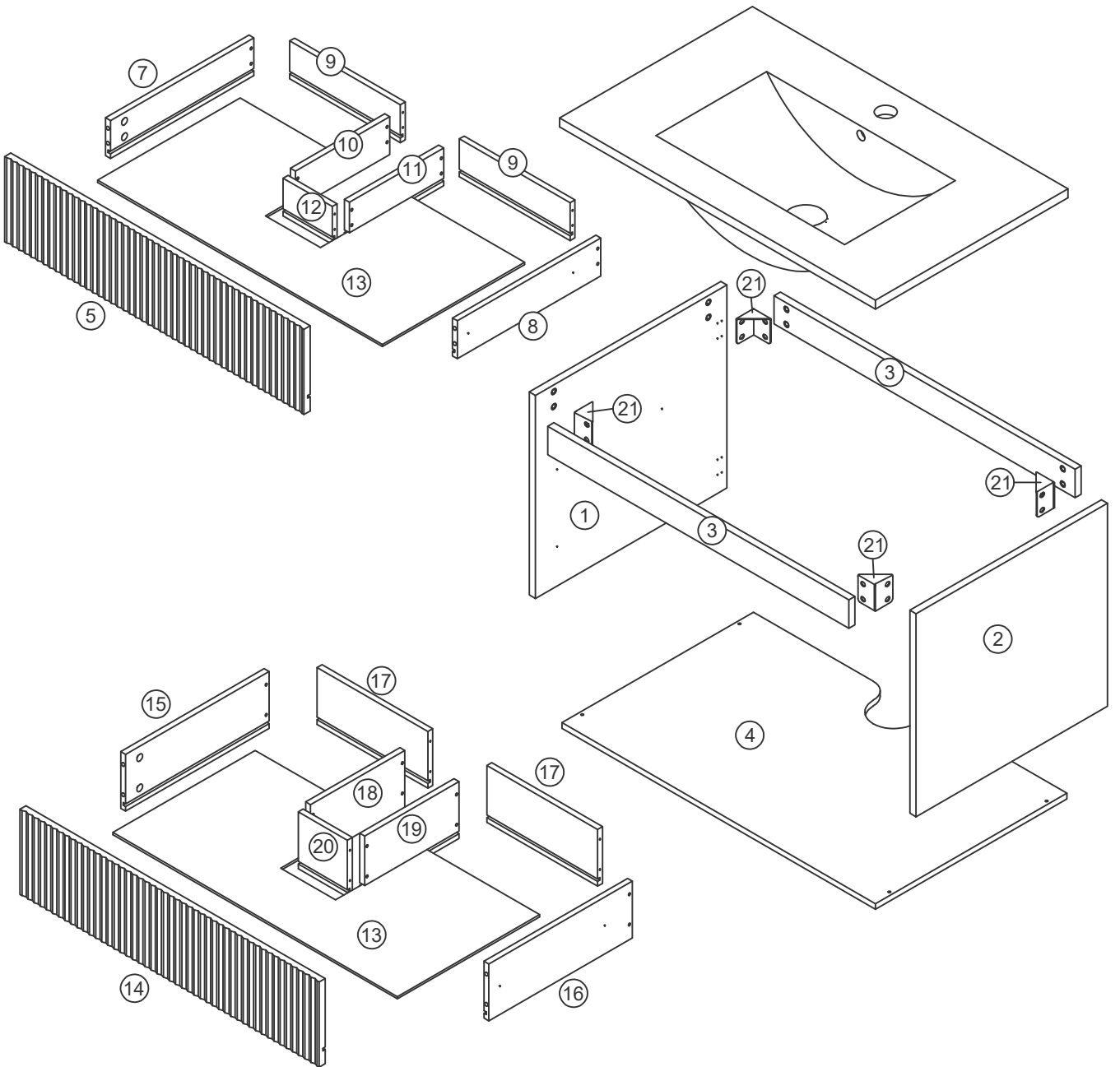
For regular maintenance and cleaning of the product, for the frame, please use a rag dipped in neutral detergent to fully wipe it, and then dry it with a clean rag. For glass materials, wipe with a rag dampened with water glass cleaner, and then dry with a dry rag.

Do not use an electric screwdriver, and do not use too much force when installing, because the board is easy to break.

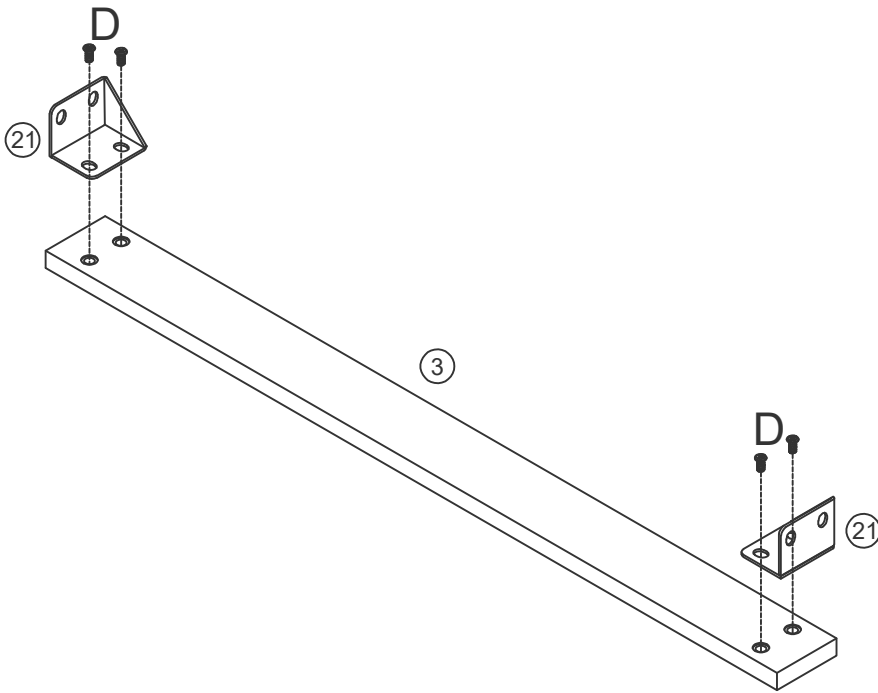


<p>①</p> <p>X1</p>	<p>②</p> <p>X1</p>	<p>③</p> <p>X2</p>	<p>④</p> <p>X1</p>
<p>⑤</p> <p>X1</p>	<p>⑦</p> <p>X1</p>	<p>⑧</p> <p>X1</p>	<p>⑨</p> <p>X2</p>
<p>⑩</p> <p>X1</p>	<p>⑪</p> <p>X1</p>	<p>⑫</p> <p>X1</p>	<p>⑬</p> <p>X2</p>
<p>⑭</p> <p>X1</p>	<p>⑮</p> <p>X1</p>	<p>⑯</p> <p>X1</p>	<p>⑰</p> <p>X2</p>
<p>⑱</p> <p>X1</p>	<p>⑲</p> <p>X1</p>	<p>⑳</p> <p>X1</p>	<p>㉑</p> <p>X4</p>
<p>㉒</p> <p>14"(3508) X2 SETS</p>			<p>X1</p>

A M5X42  8 PCS	B Ø15X10  8 PCS	C M5X40  28 PCS	D M6X12  16 PCS	E M3.5X12  12 PCS	F Black  2 PCS	G Gold  2 PCS	H M3.5X14  24 PCS
J  4 SETS	K Ø8X60  4 PCS	L M5X55  4 PCS	 1 PCS				



1



D M6X12



8 PCS

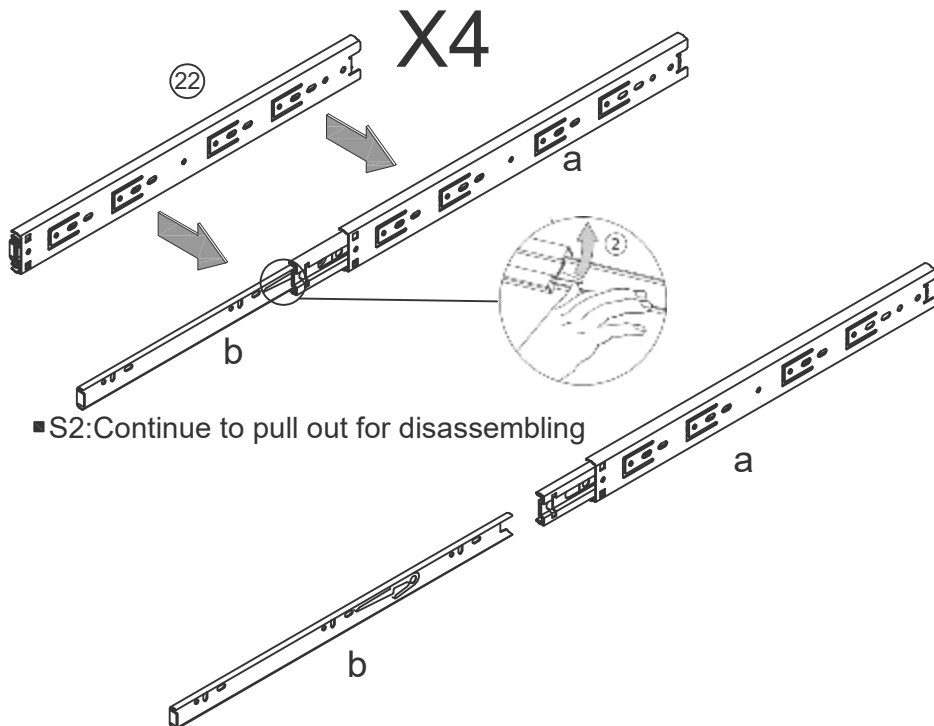
X2

2

Disassembly method of accessories

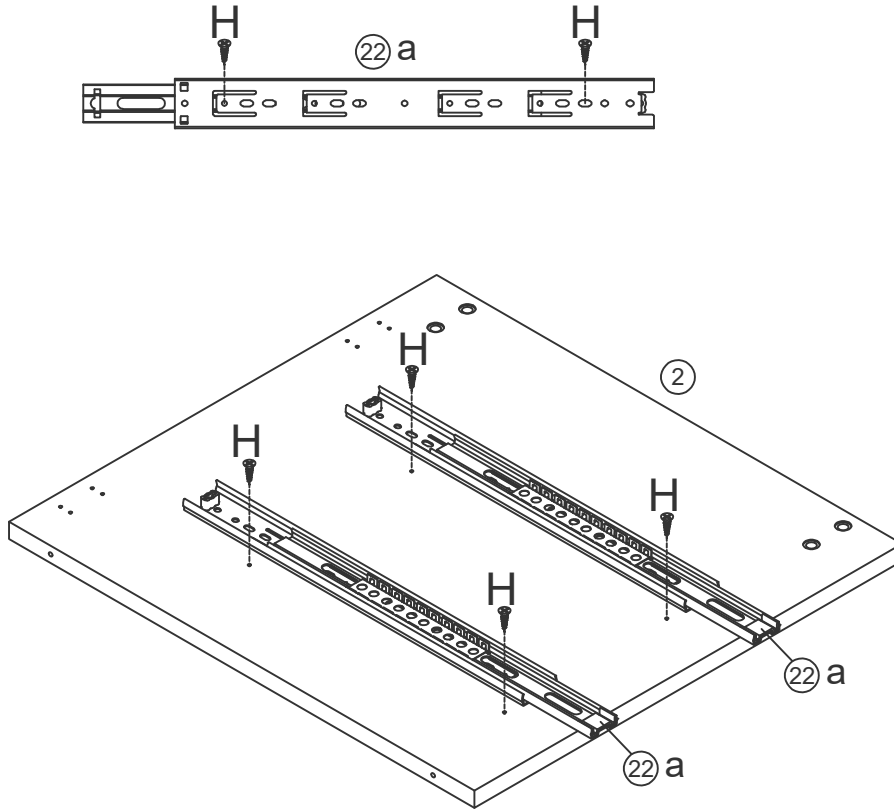
Move the bayonet as shown below press and hold

- S1: Pull the fitting to the maximum length




- S2: Continue to pull out for disassembling

3

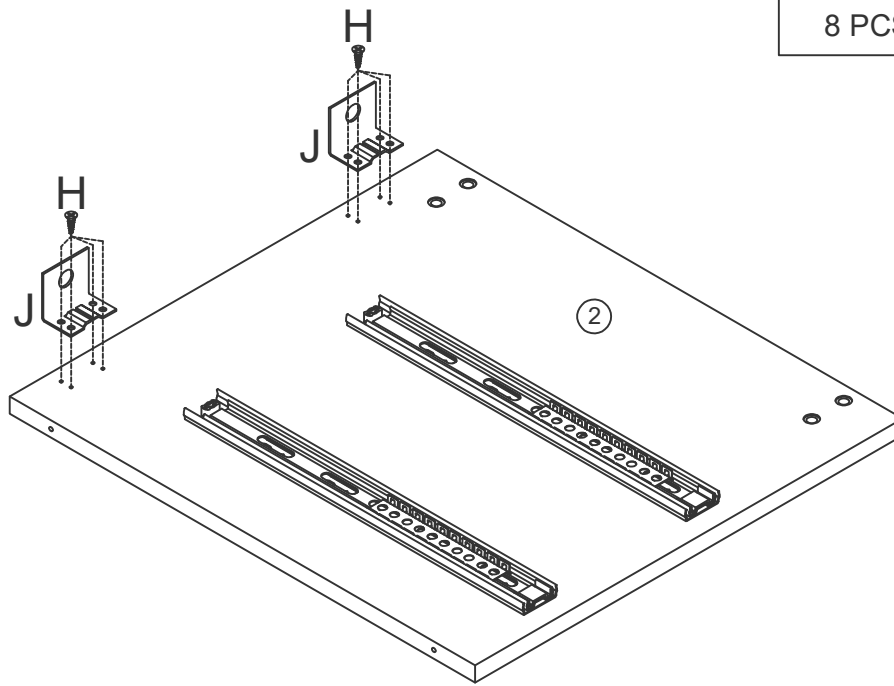




H M3.5X14



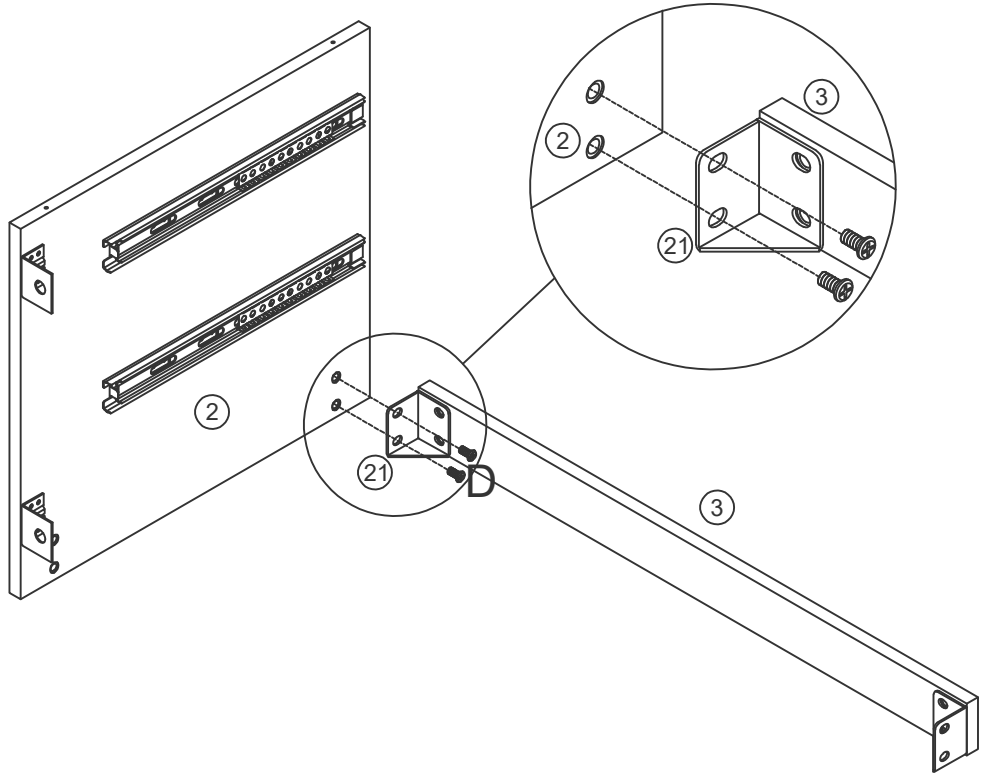
4 PCS


4



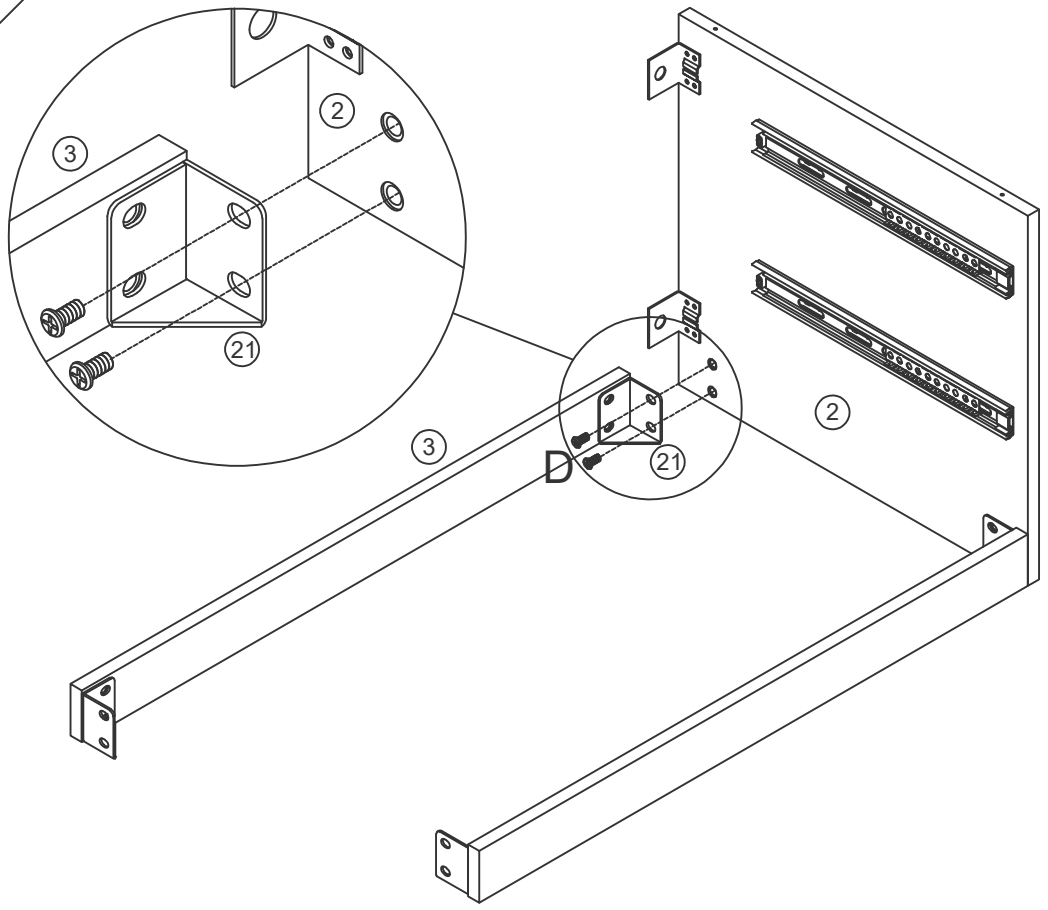
H M3.5X14	J
	
8 PCS	2 SETS


5



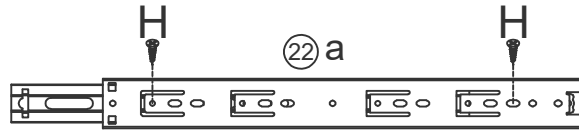
D M6X12

2 PCS

6



D M6X12

2 PCS

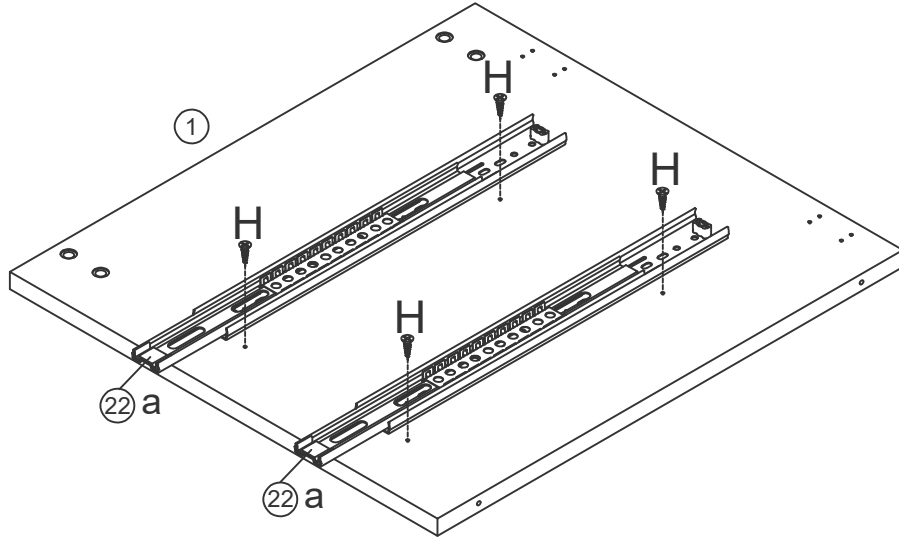
7



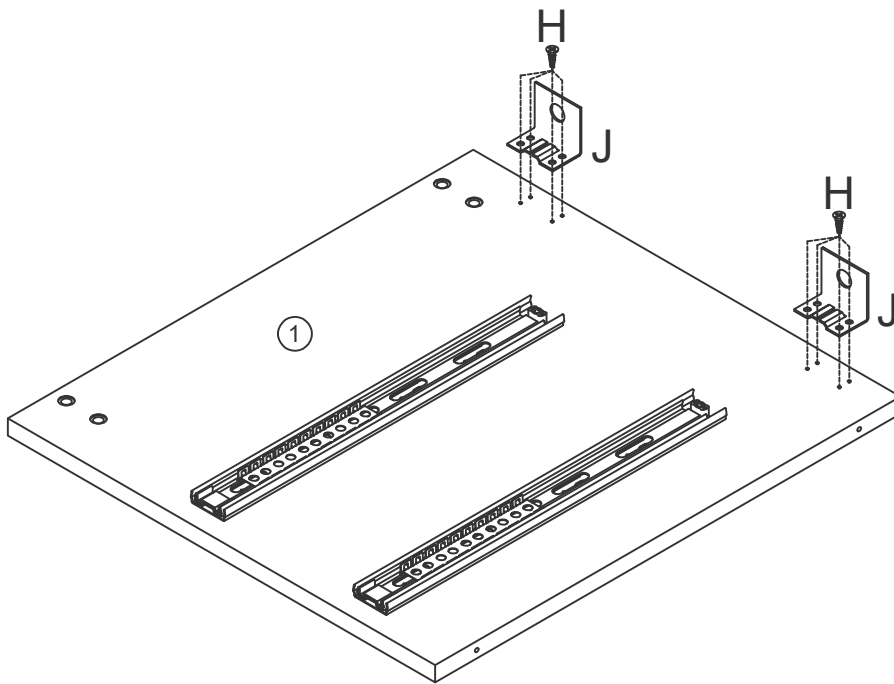
H M3.5X14



4 PCS



8



H M3.5X14



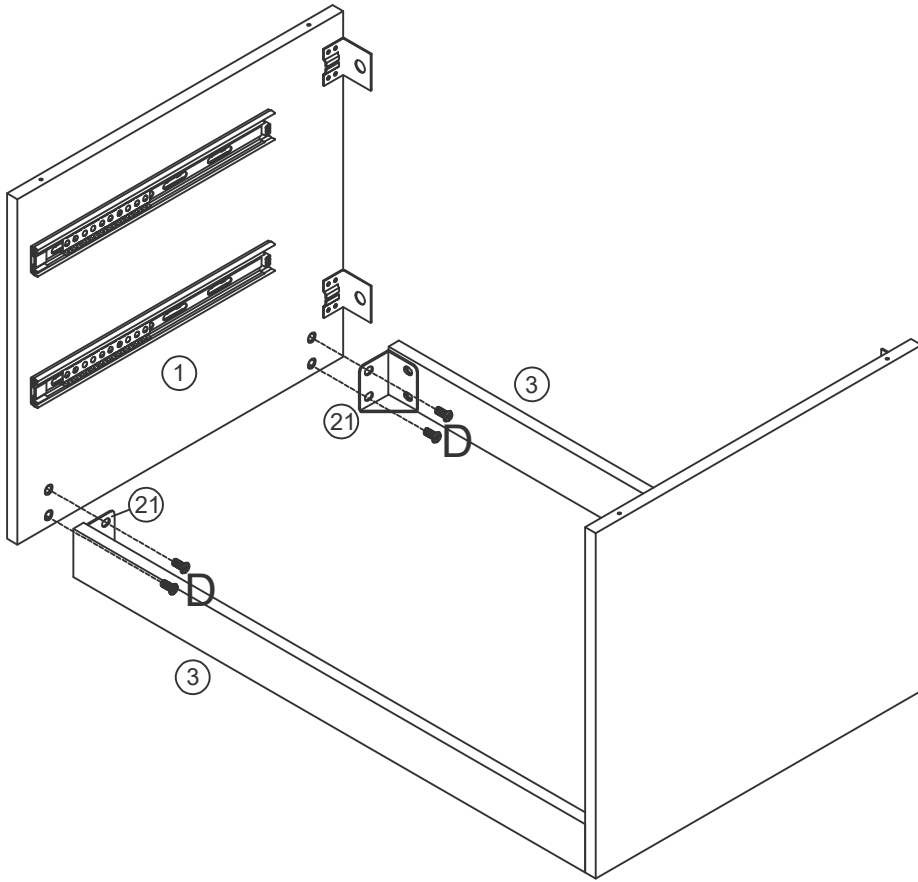
8 PCS


J



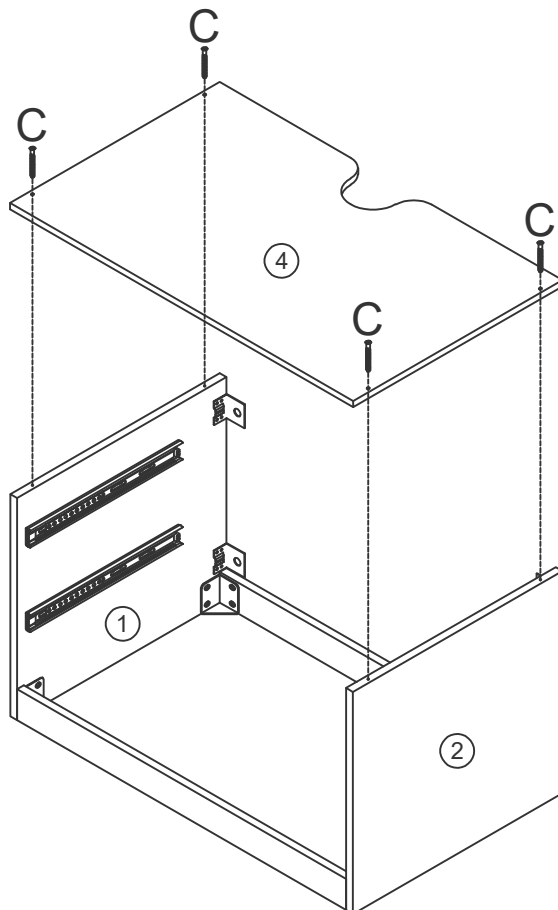
2 SETS


9





D M6X12

4 PCS

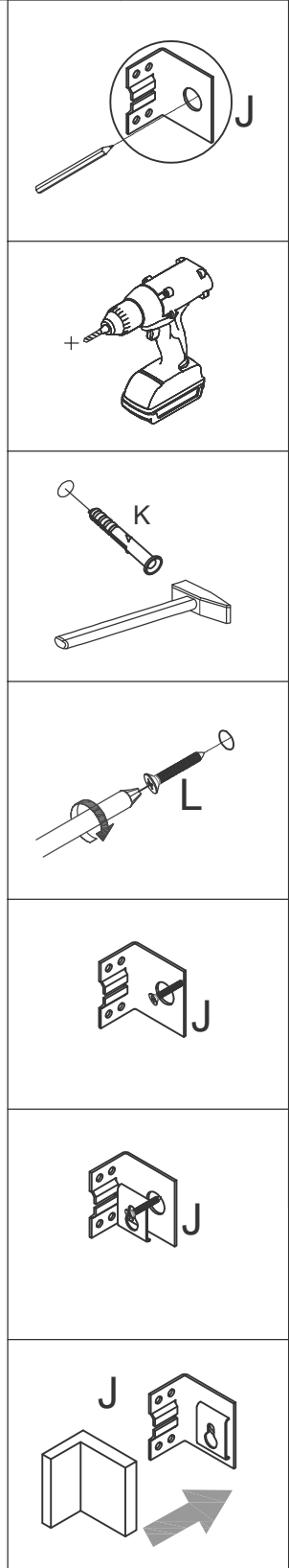
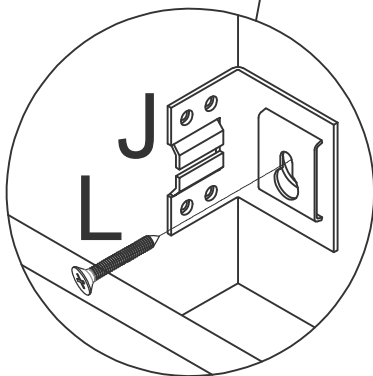
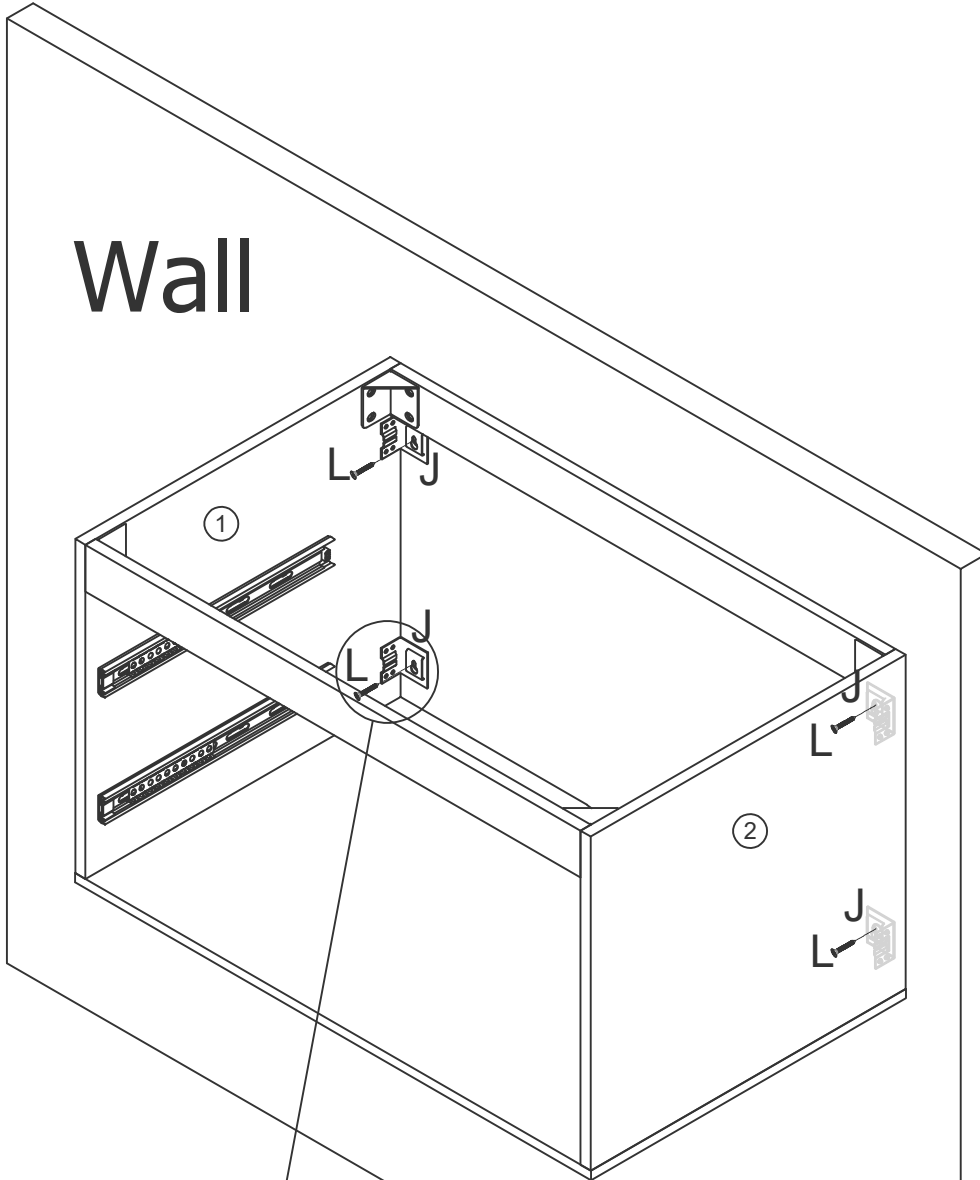
10



C M5X40

4 PCS

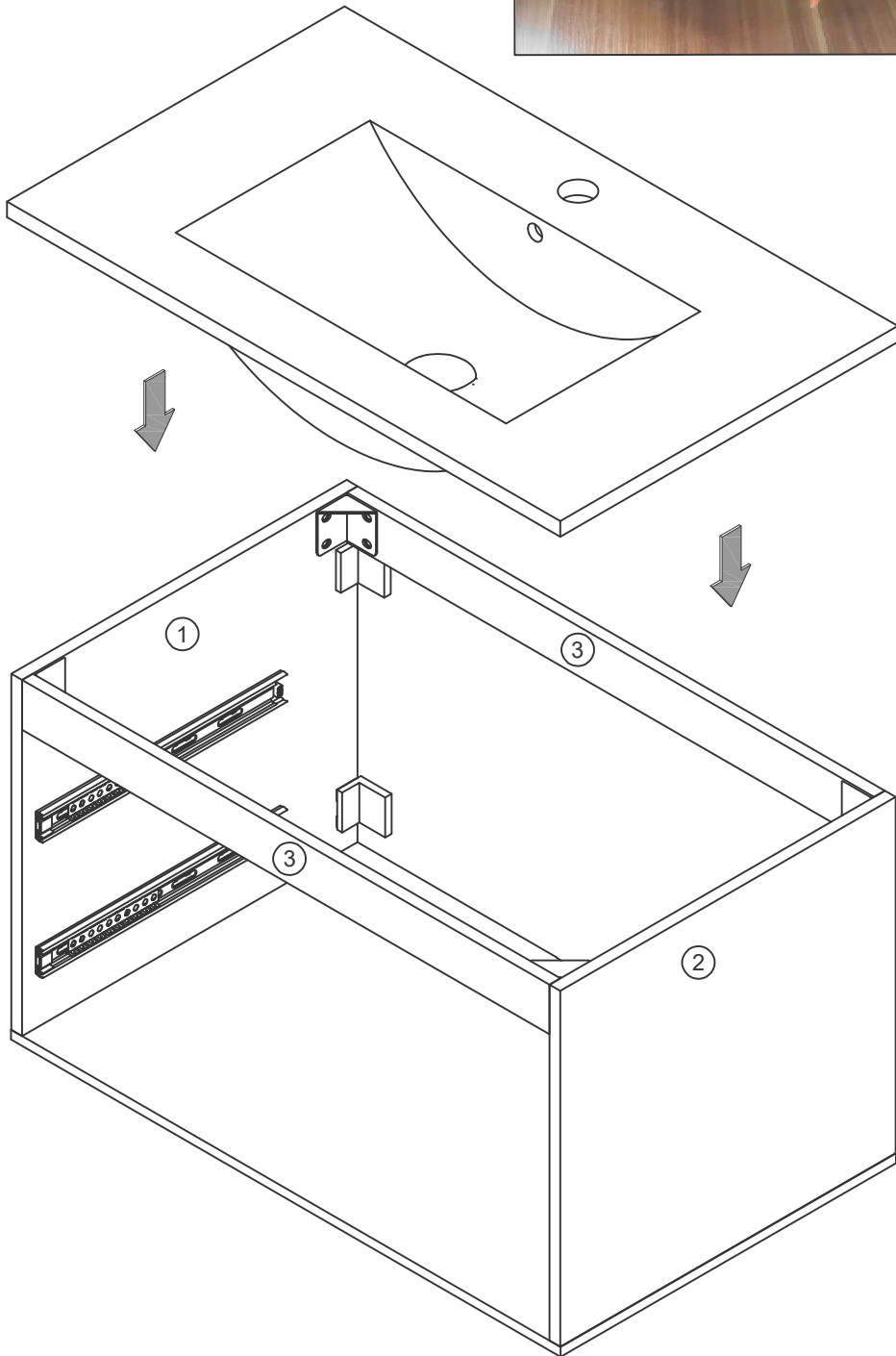
11 After setting the hole position on the wall, use an electric drill to drill the holes, knock part(K) into the wall, and then fix the cabinet and the wall firmly with screw(L) as shown.

K Ø8X60	L M5X55
	
4 PCS	4 PCS



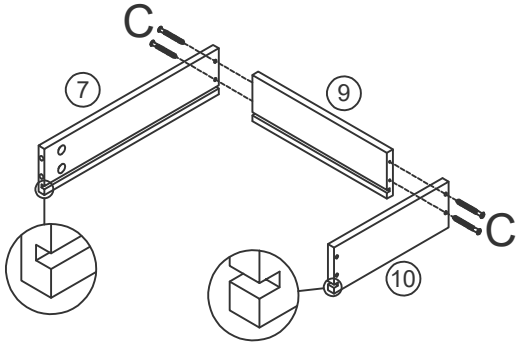
12

Hit the glass glue on 1/2/3 of the part,
then put the wash basin.



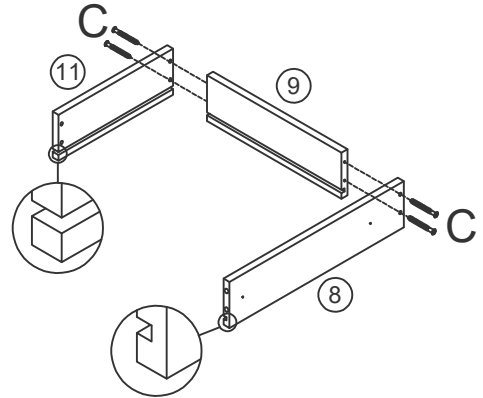
13

C M5X40
4 PCS



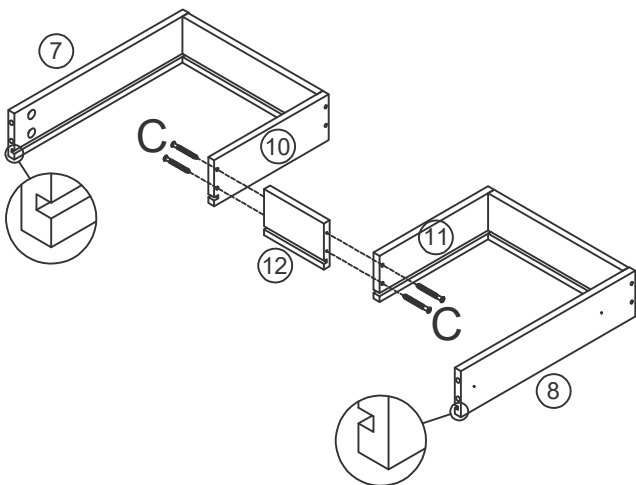
14

C M5X40
4 PCS

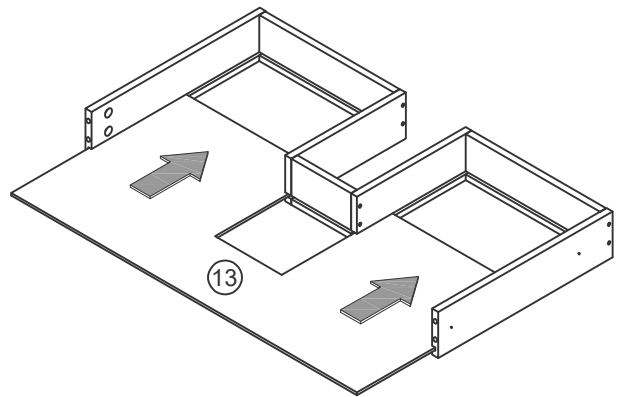


15

C M5X40
4 PCS



16

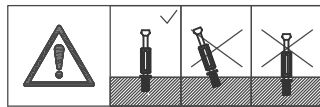
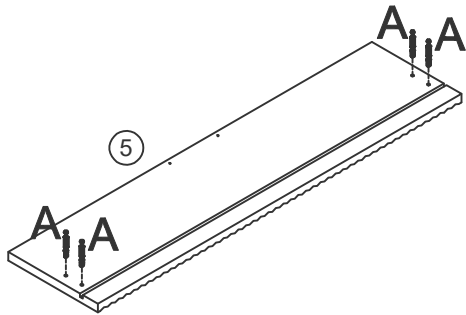


17

A M5X42



4 PCS

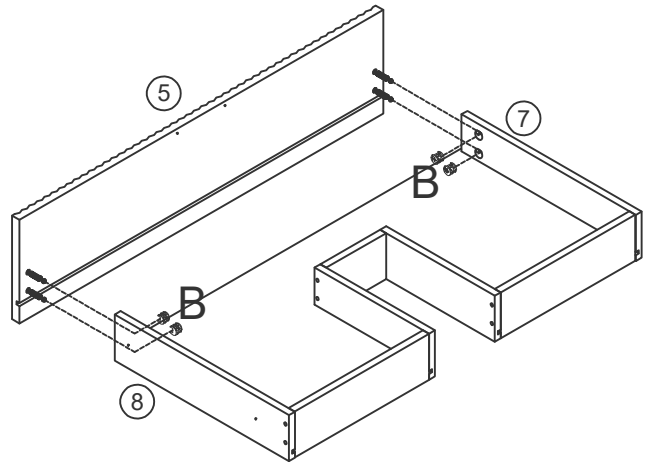


18

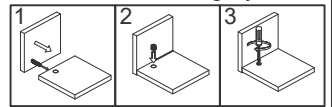
B Ø15X10



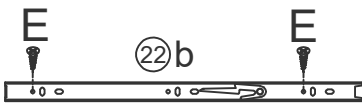
4 PCS



Cam Lock Fastening System



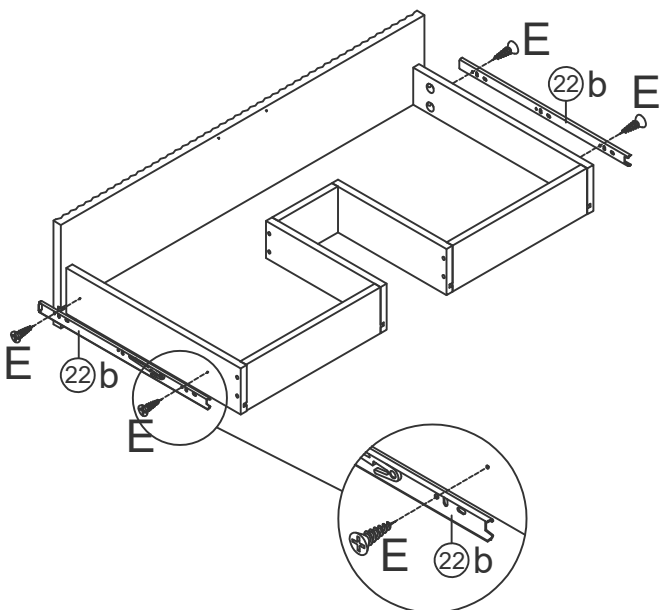
19



E M3.5X12



4 PCS



20

E M3.5X12



2 PCS

F Black

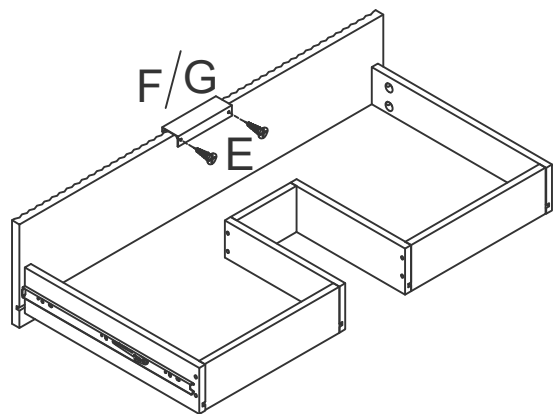


1 PCS

G Gold

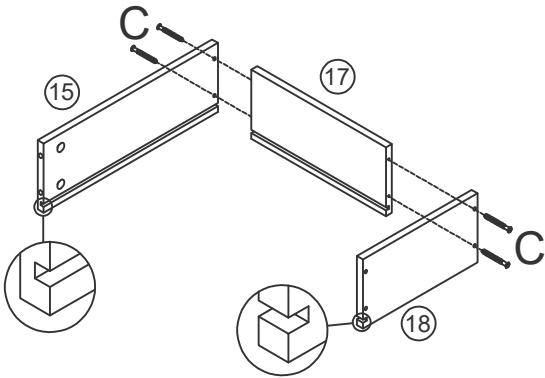


1 PCS



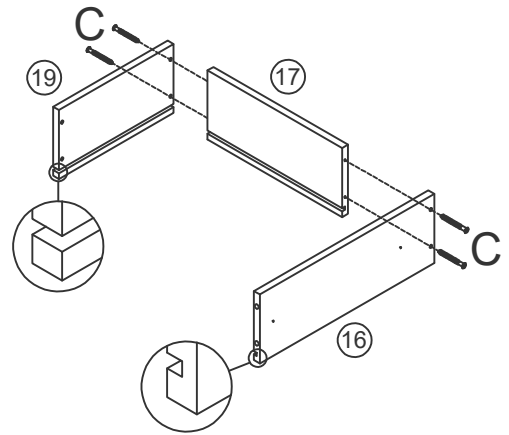
21

C M5X40
4 PCS



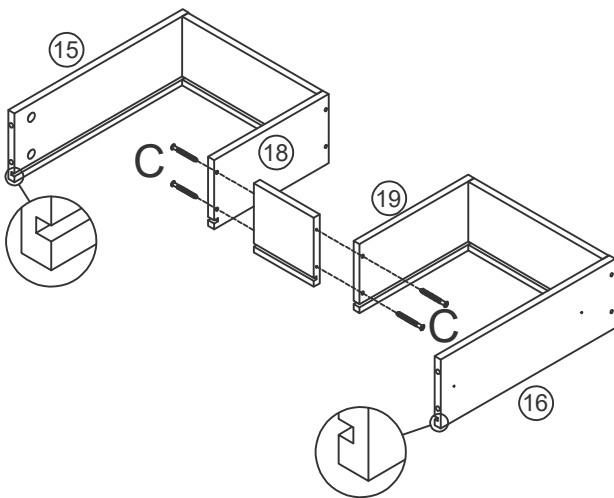
22

C M5X40
4 PCS

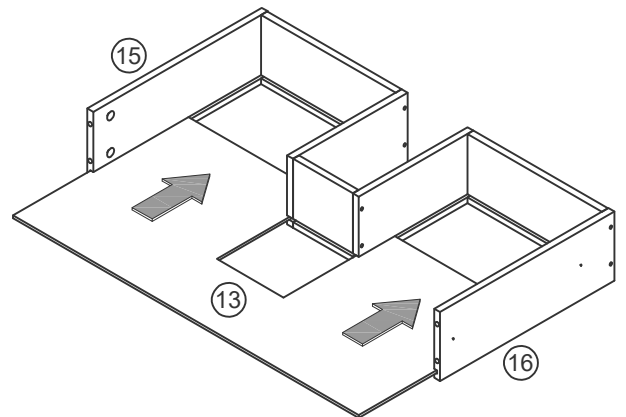


23

C M5X40
4 PCS



24

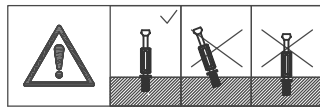
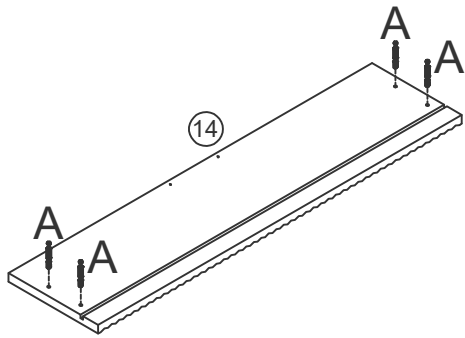


25

A M5X42



4 PCS

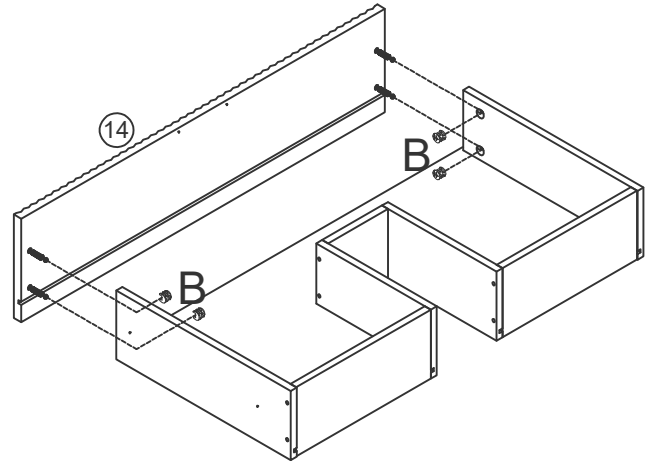


26

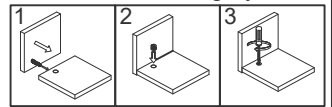
B Ø15X10



4 PCS



Cam Lock Fastening System



27

E M3.5X12



2 PCS

F Black

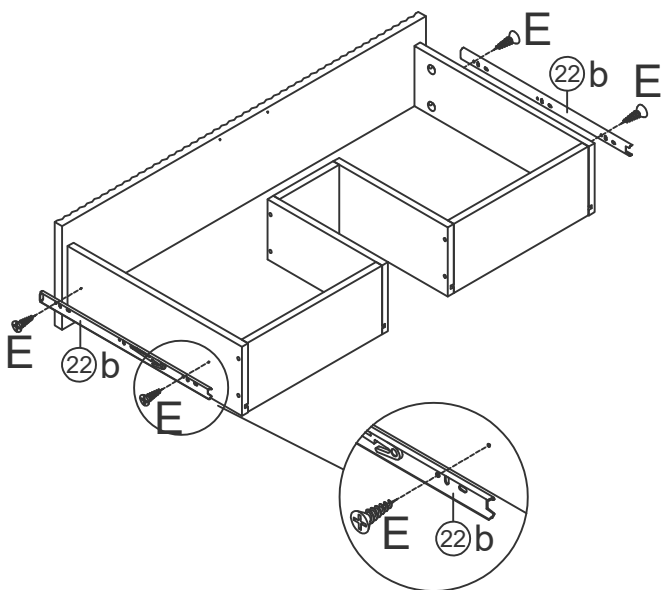


1 PCS

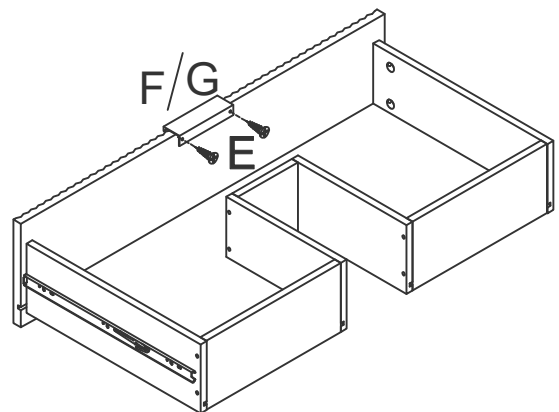
G Gold



1 PCS



28



29

