

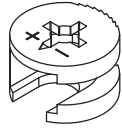
Installation Parts



A

x31(+2)

Ø6x35mm



B

x31(+2)

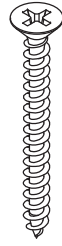
Ø15x10mm



C

32(+2)

Ø6x30mm



D

x16(+1)

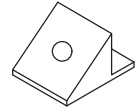
Ø4x35mm



E

x24(+2)

Ø3.5x10mm



F

x16(+1)



G

x16(+1)

Ø3x16mm



H

x3



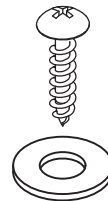
I

x3



J

x2



K

x2



L

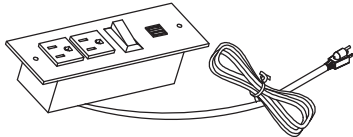
x5



M

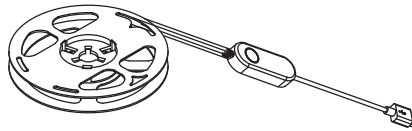
x2

Ø3.5x12mm



N

x1



O

x1



P

x2



CL

x2

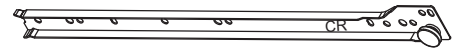
L300mm



DL

x2

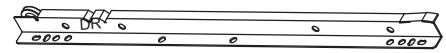
L300mm



CR

x2

L300mm

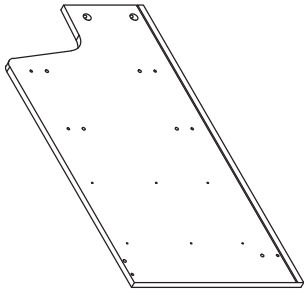


DR

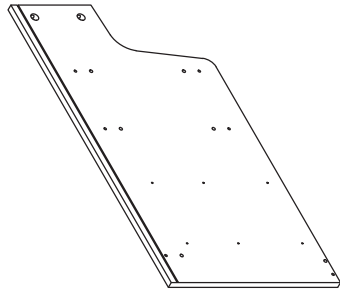
x2

L300mm

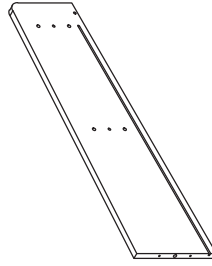
Install the footstool



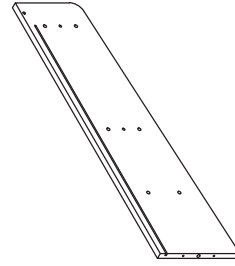
1
x1



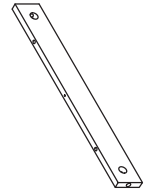
2
x1



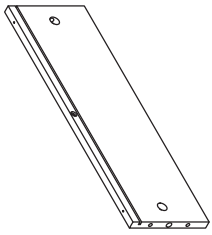
3
x1



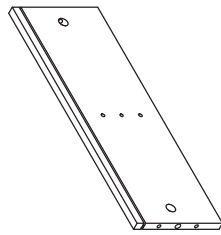
4
x1



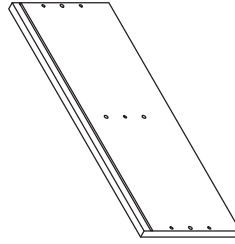
5
x1



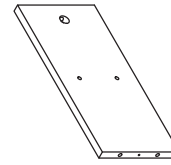
6
x1



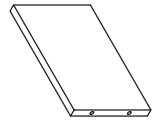
7
x1



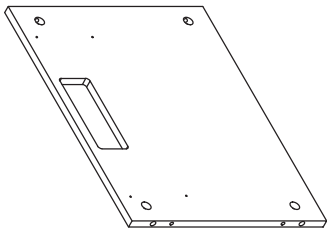
8
x1



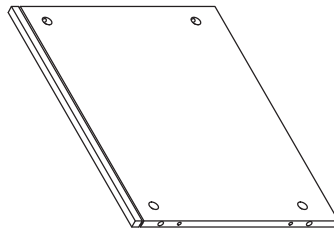
9
x1



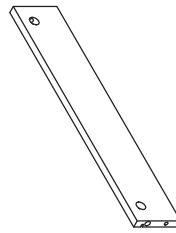
10
x1



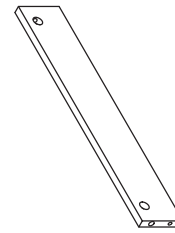
11
x1



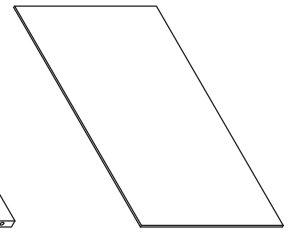
12
x1



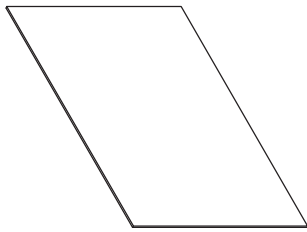
13
x1



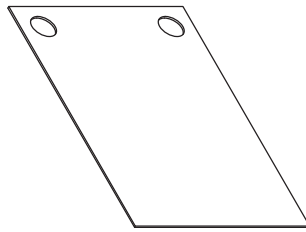
14
x1



15
x1

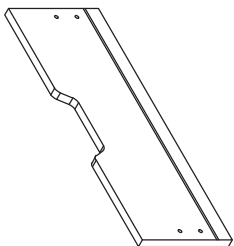


16
x2

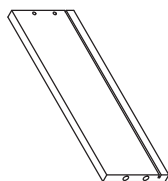


17
x1

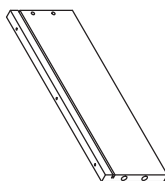
Drawer



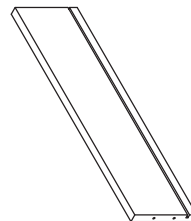
18
x2



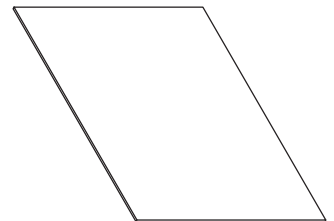
19
x2



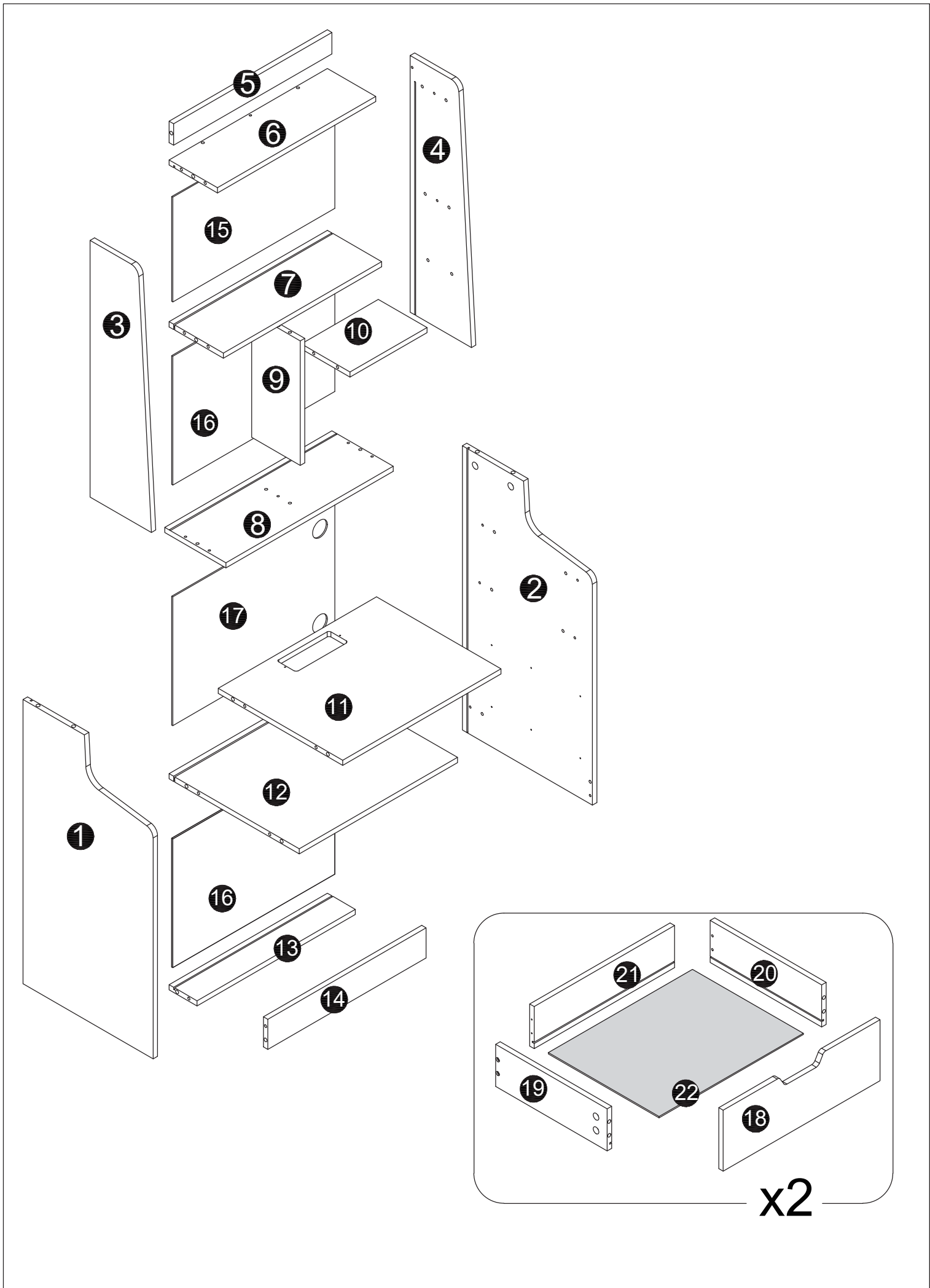
20
x2



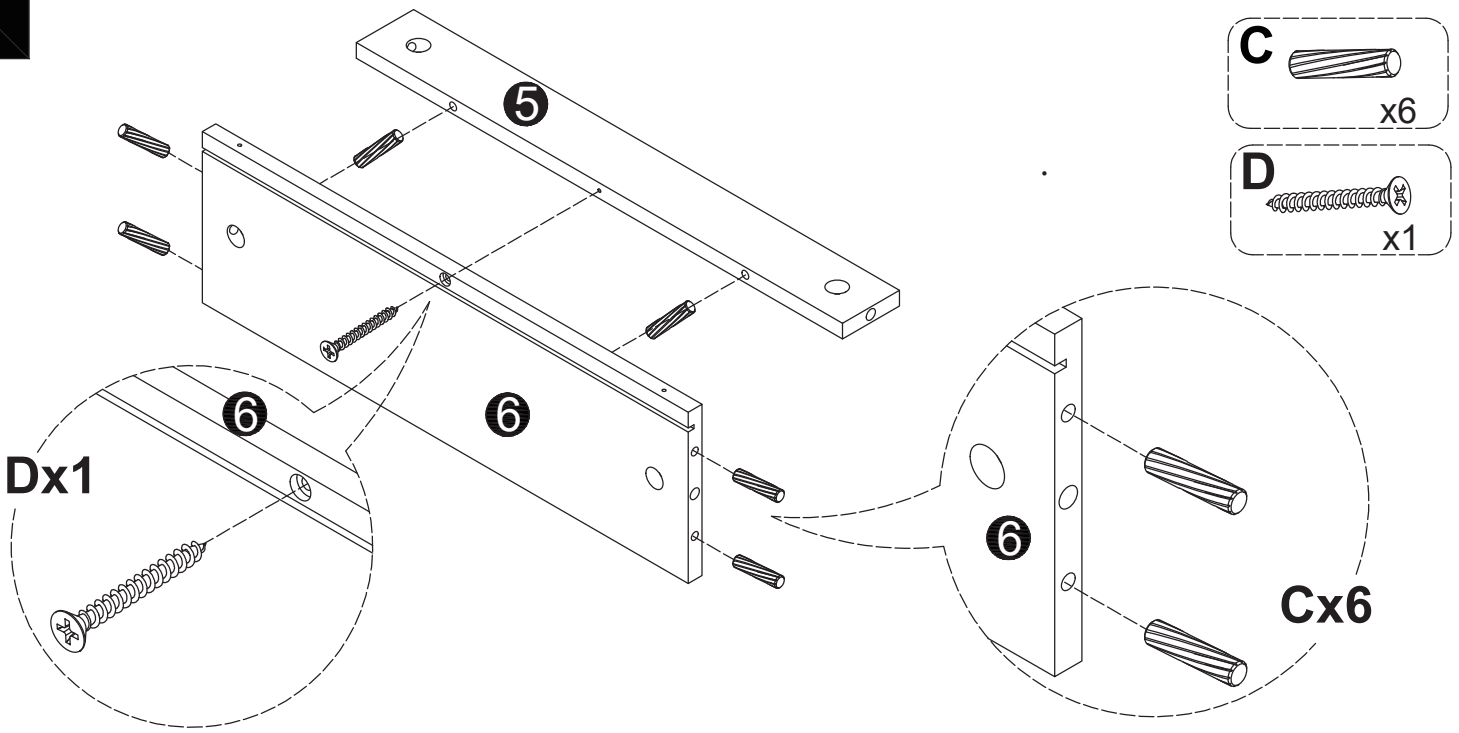
21
x2



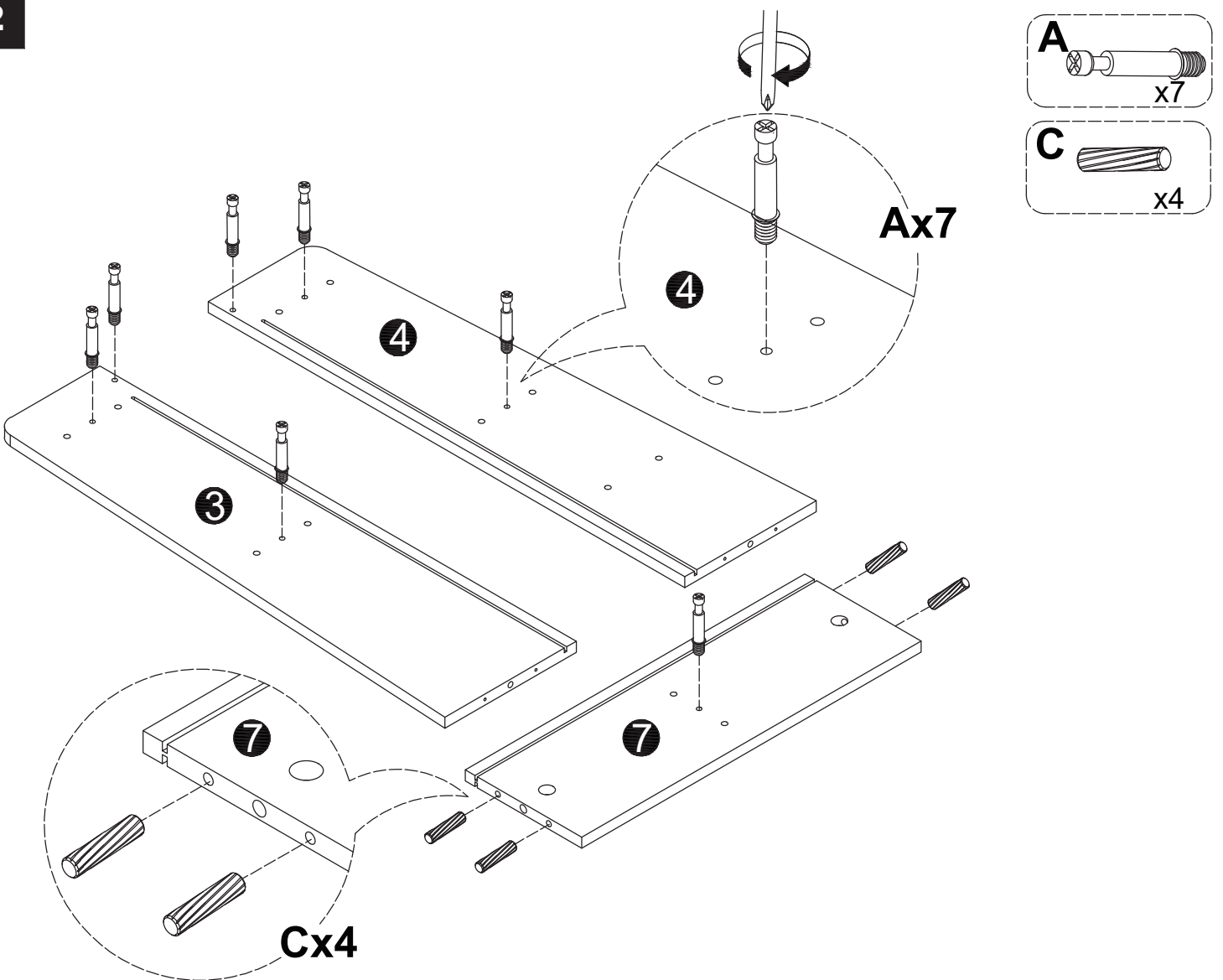
22
x2



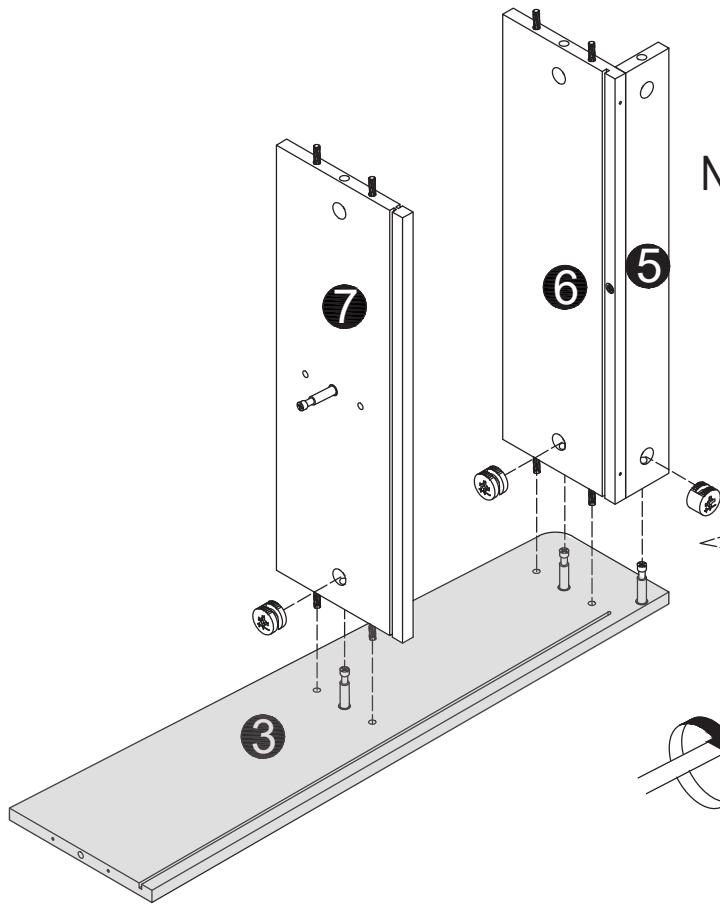
1



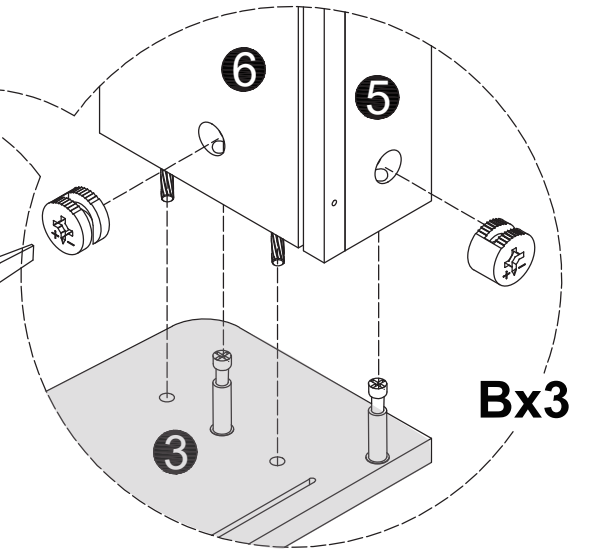
2



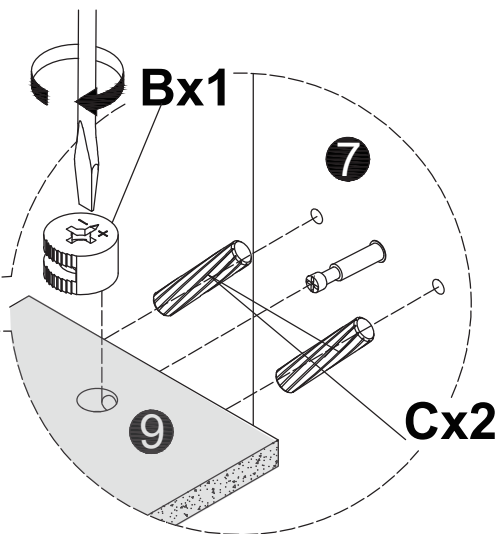
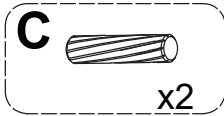
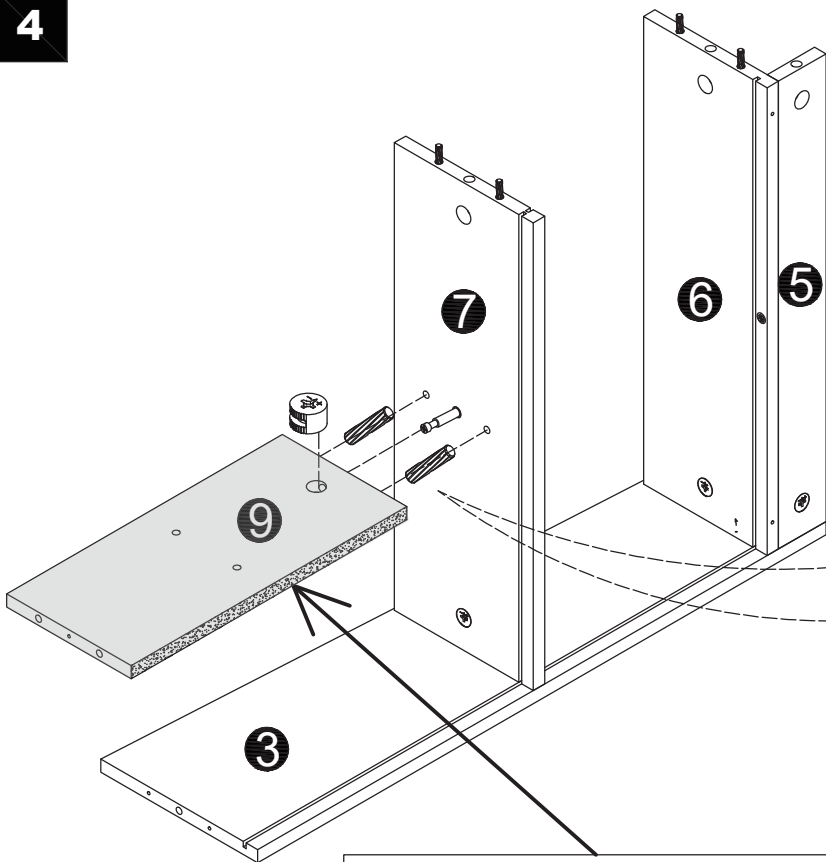
3



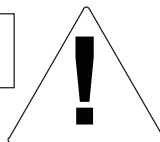
NOTE: The board to be installed in the current step is darkened in color



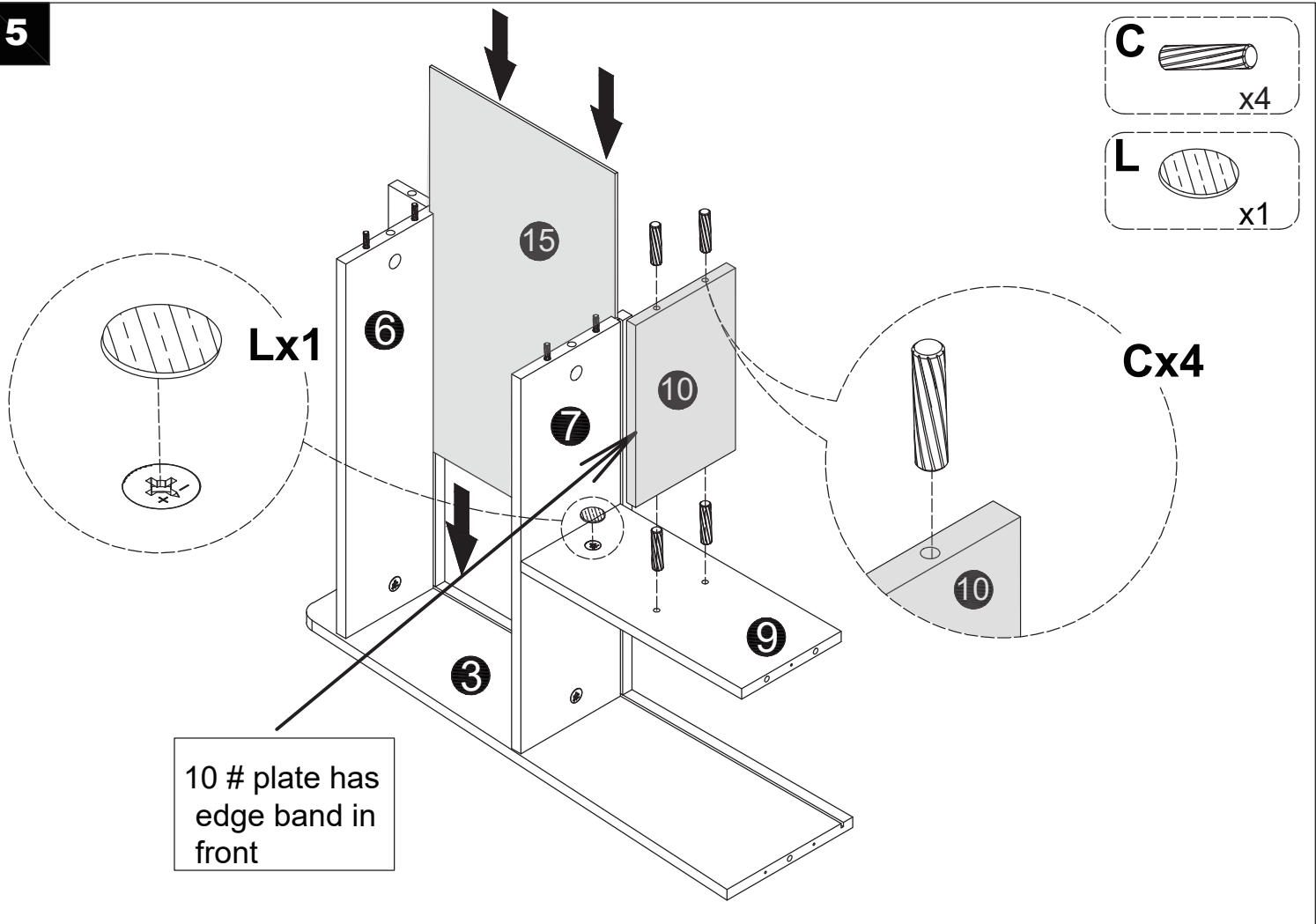
4



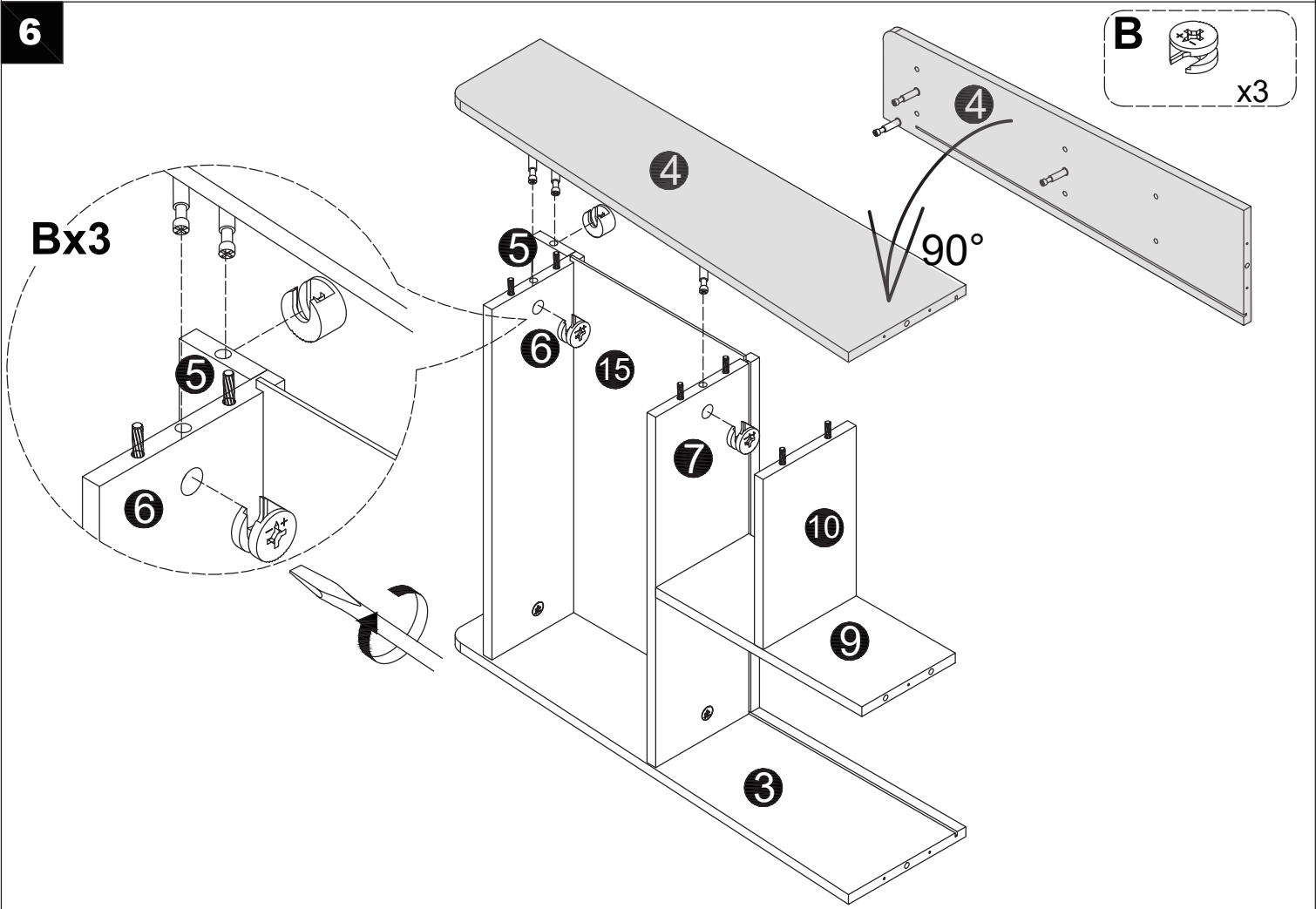
Without edge banding



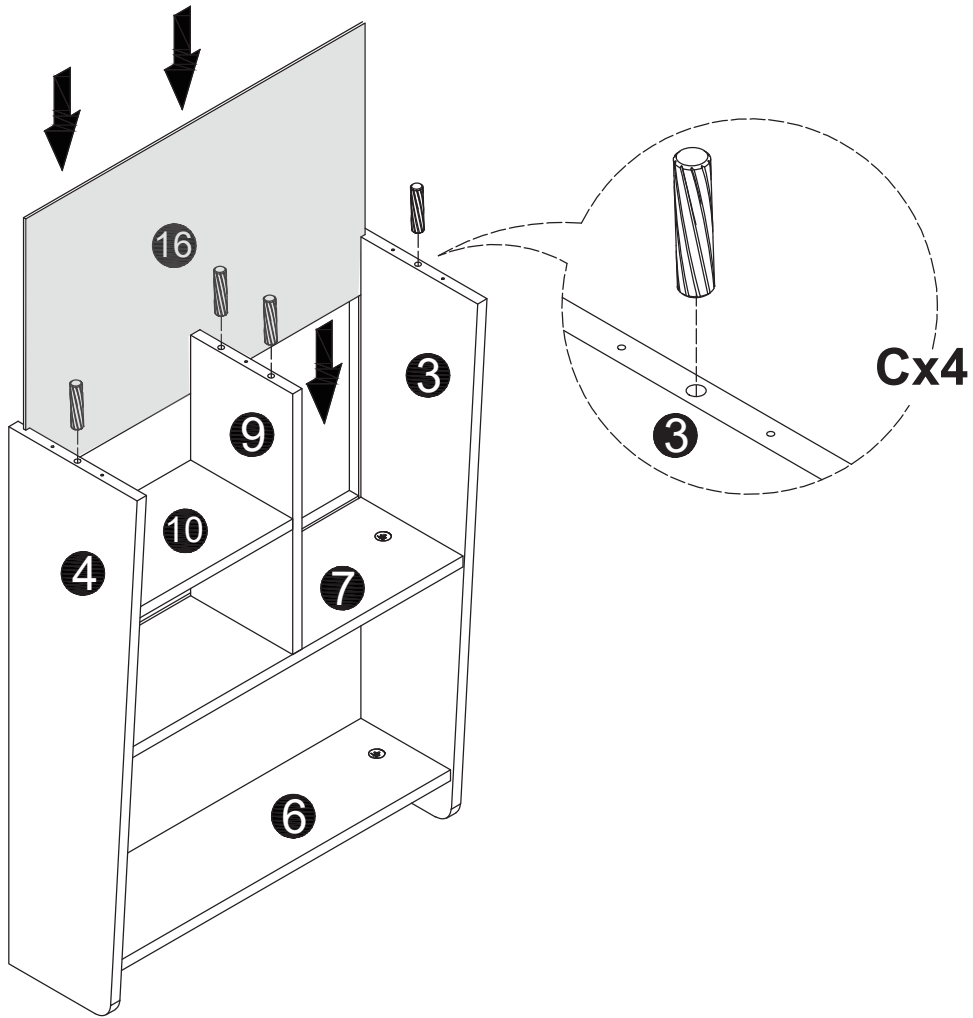
5



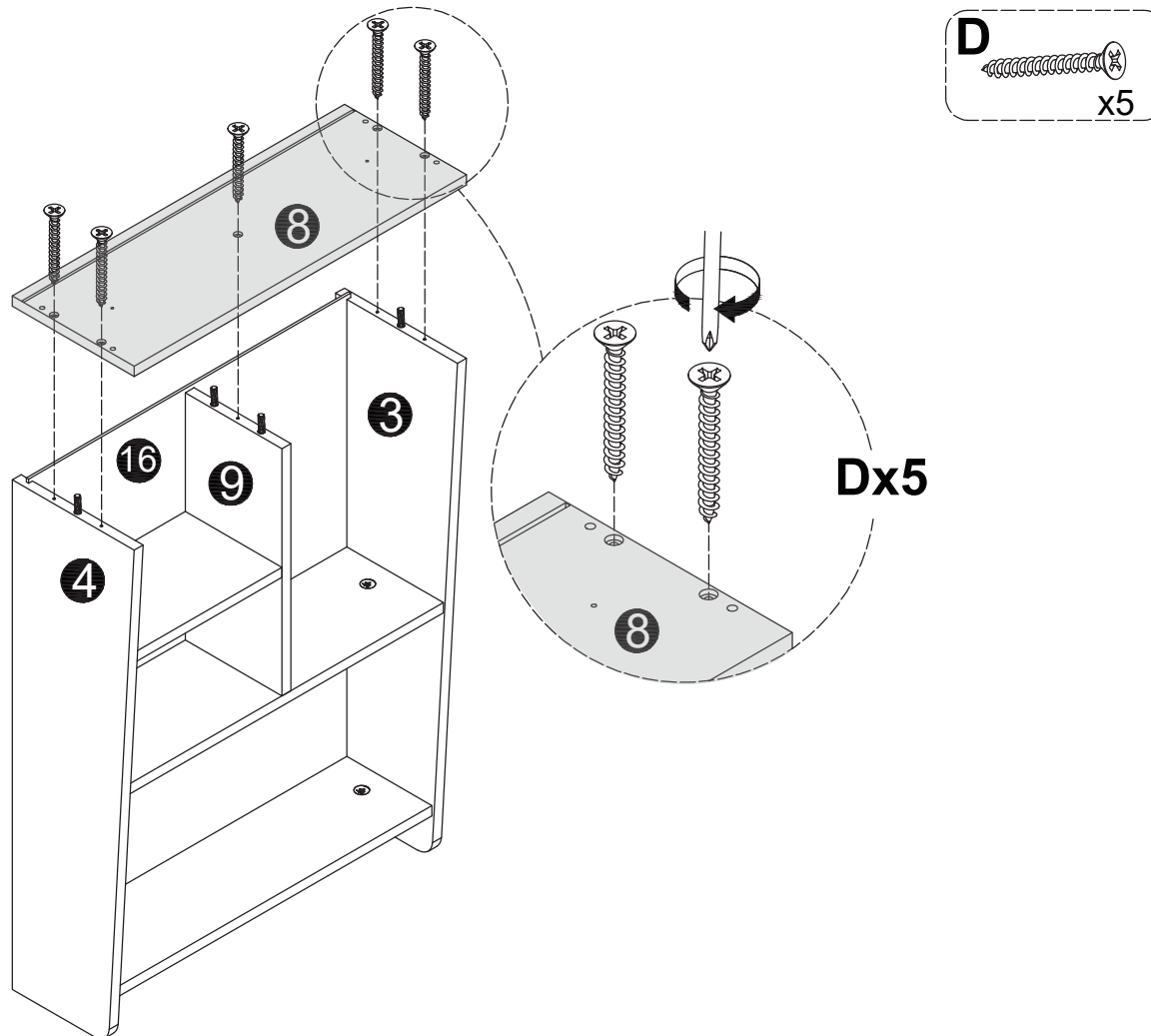
6



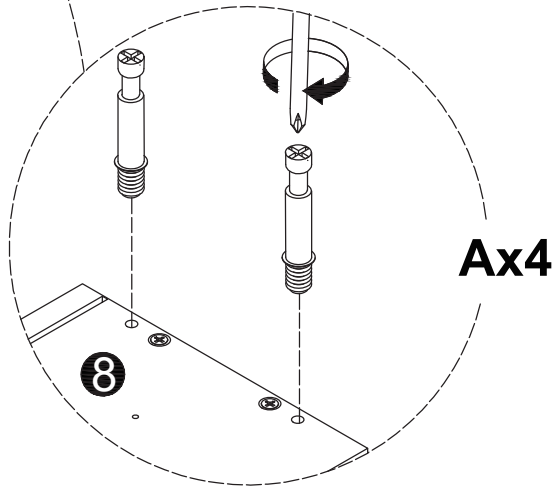
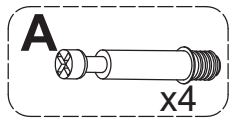
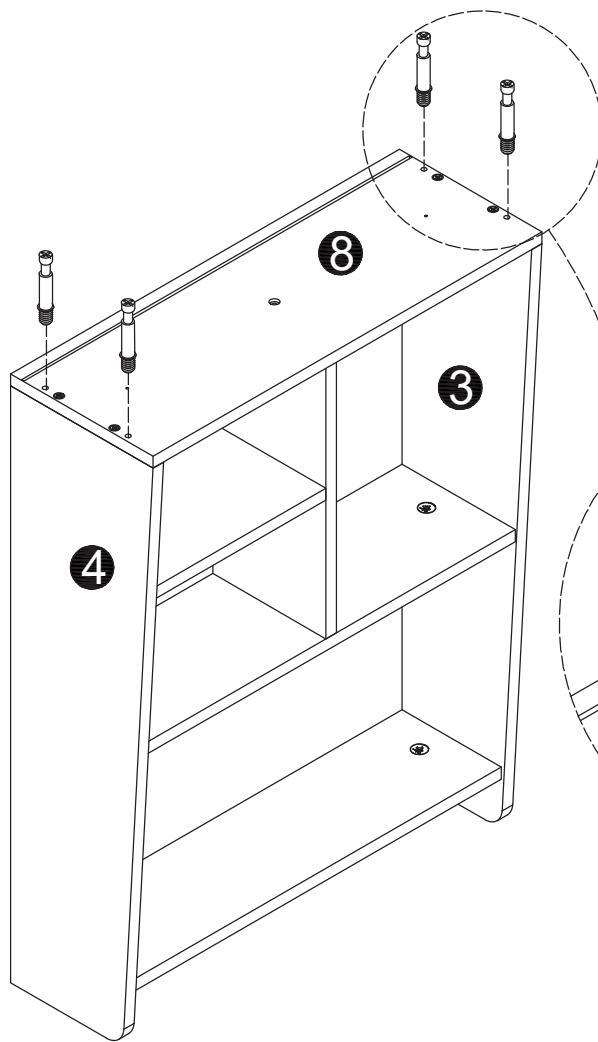
7



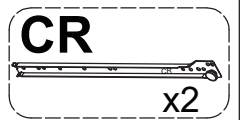
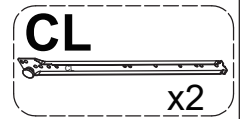
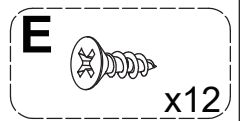
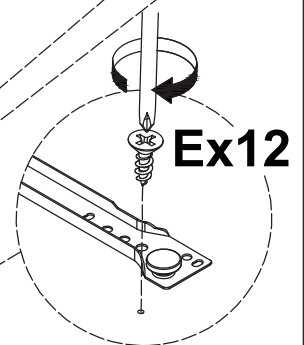
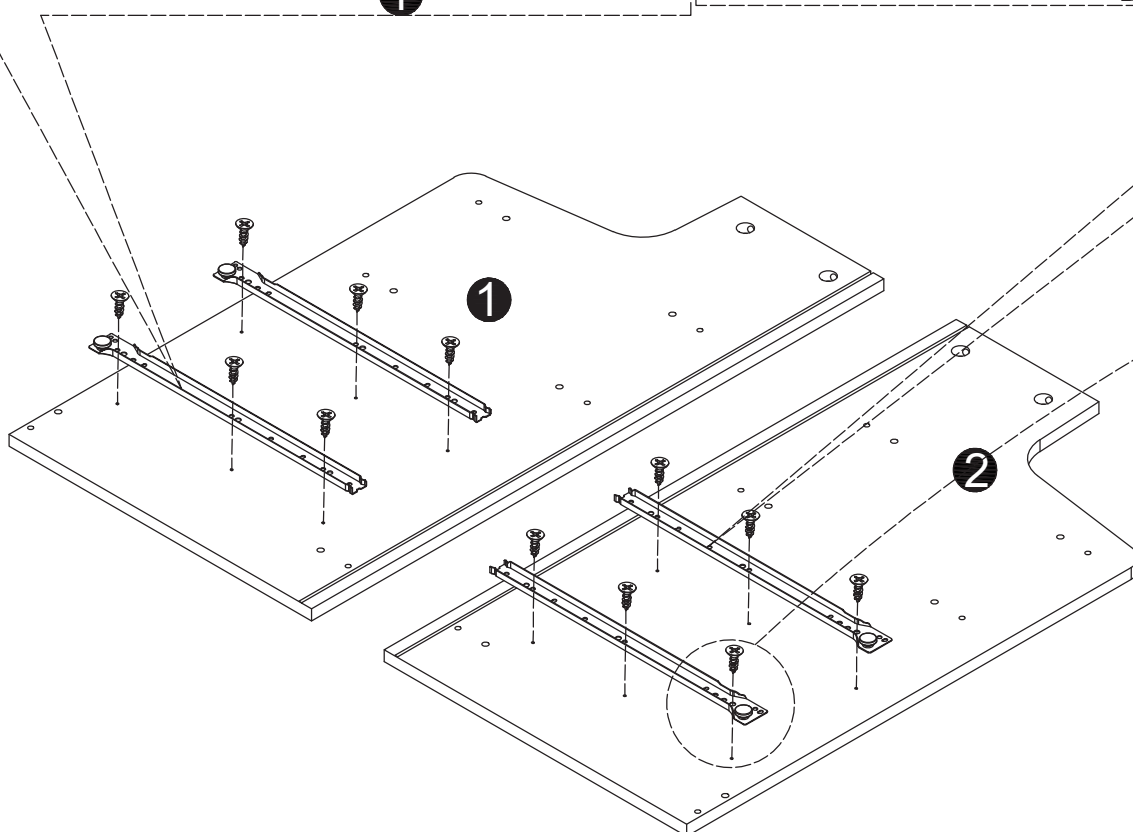
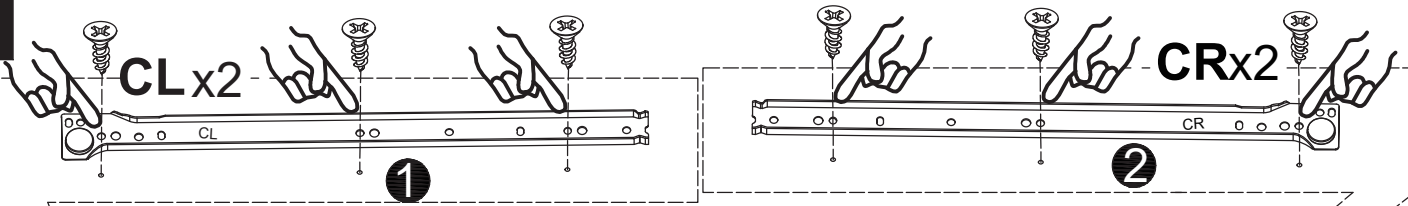
8



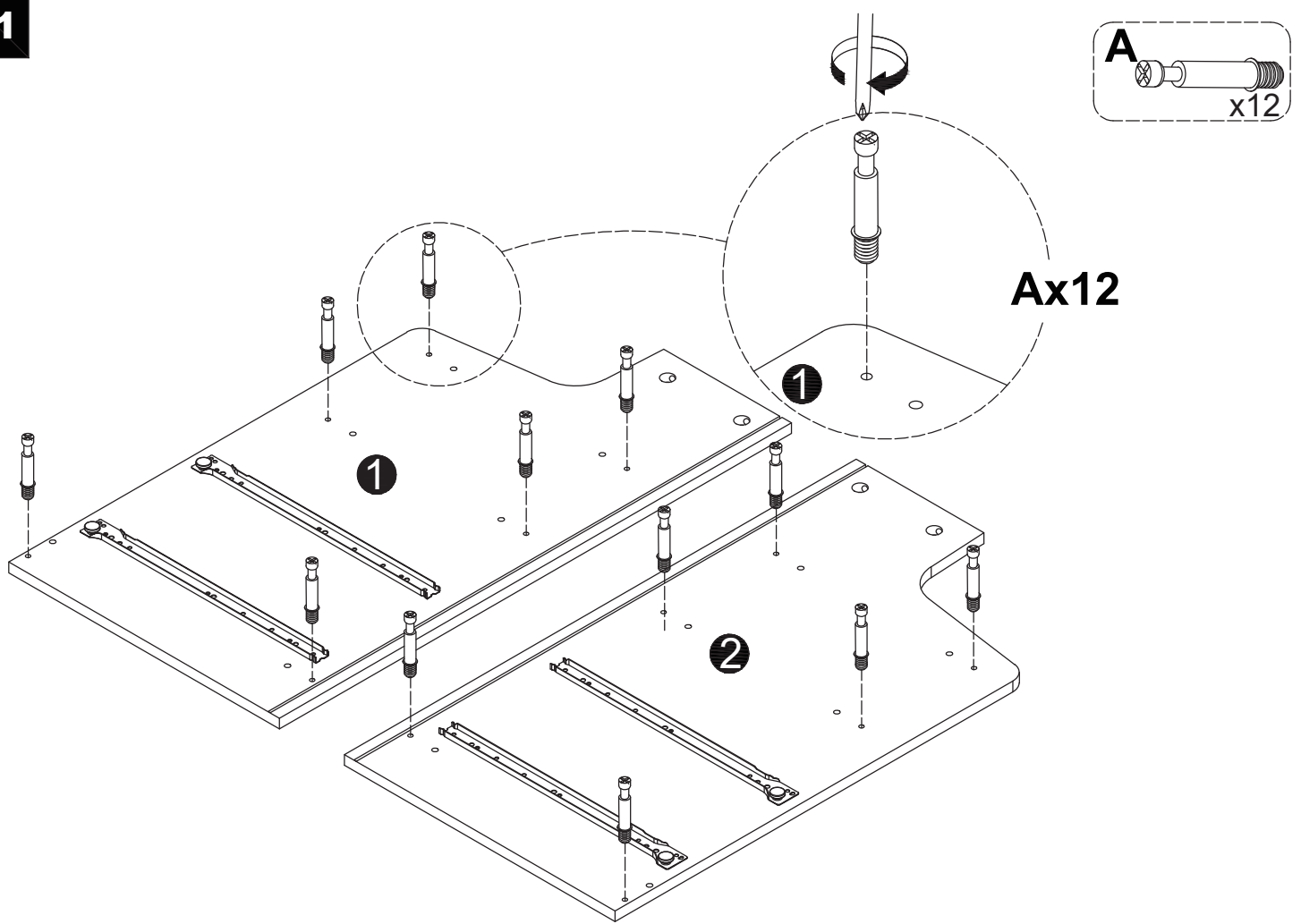
9



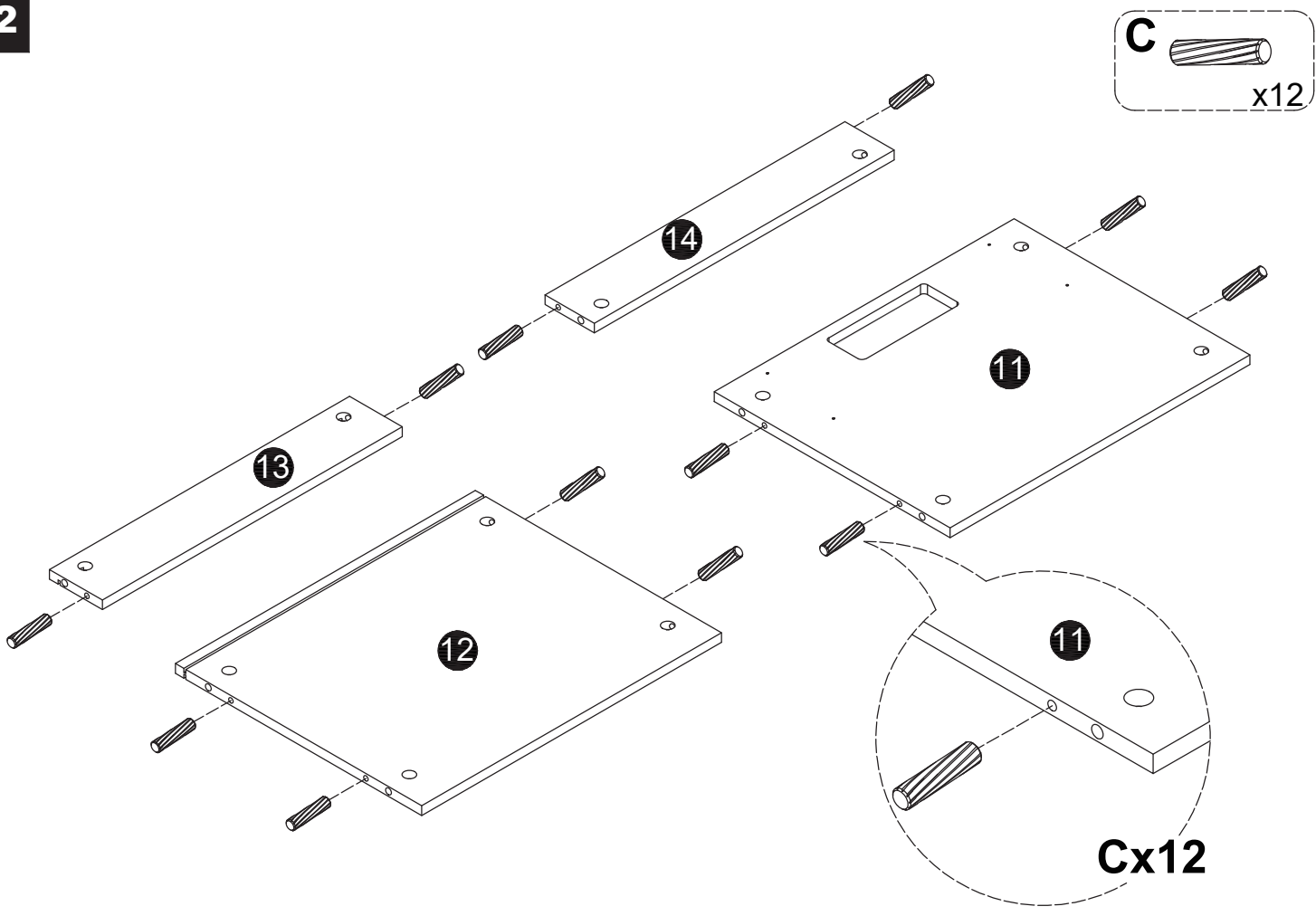
10



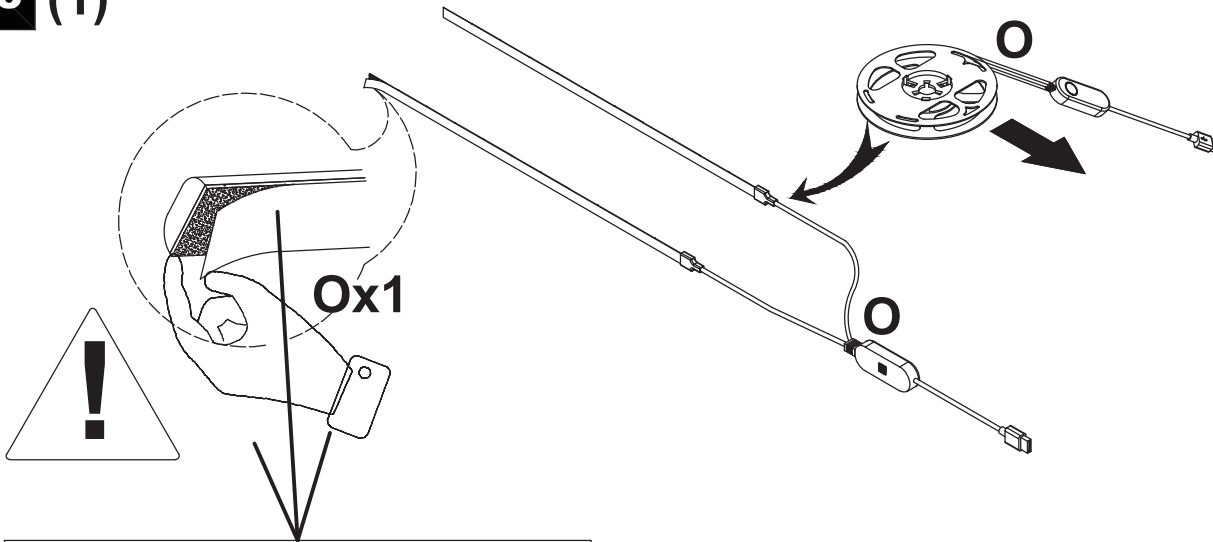
11

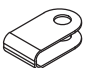




12



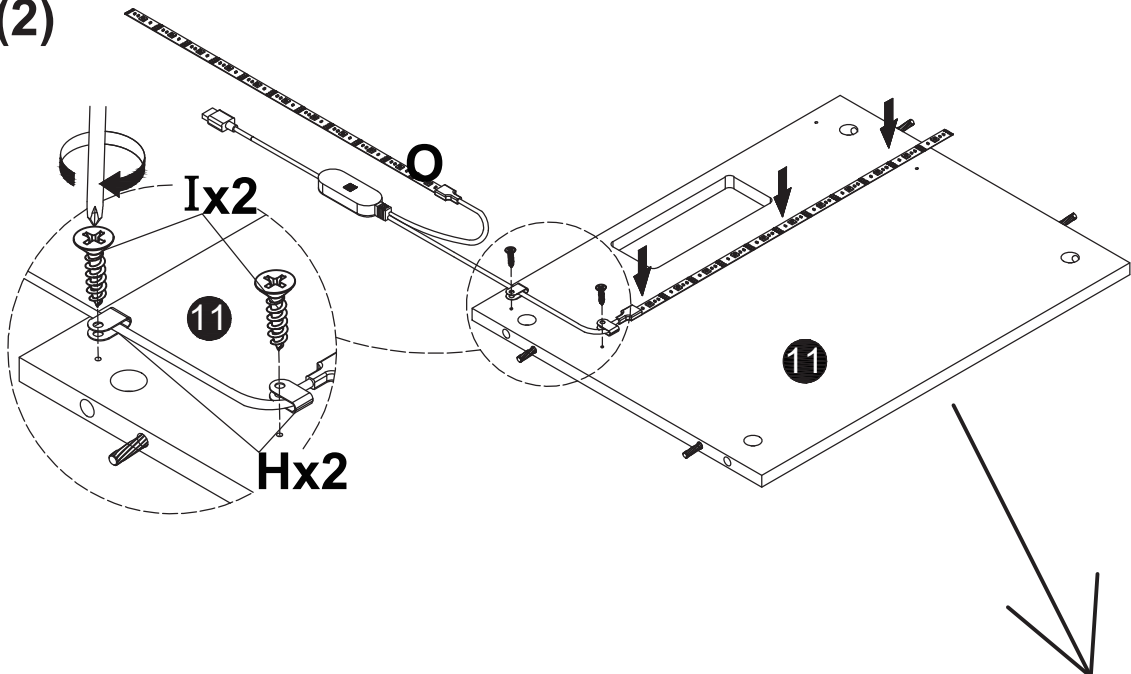
13 (1)



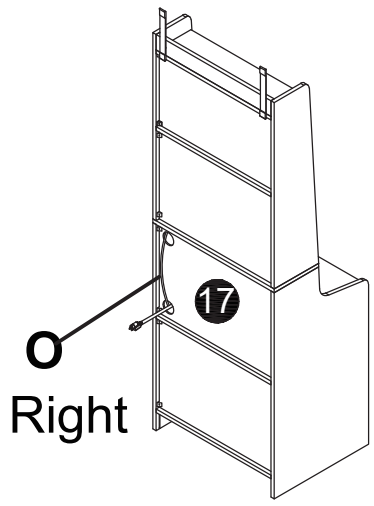
- H**  x2
- I**  x2
- O**  x1

Tear off the back glue of one of the light strips

(2)

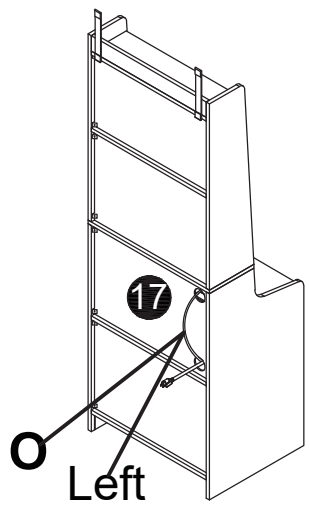


(1)



Right


(2)

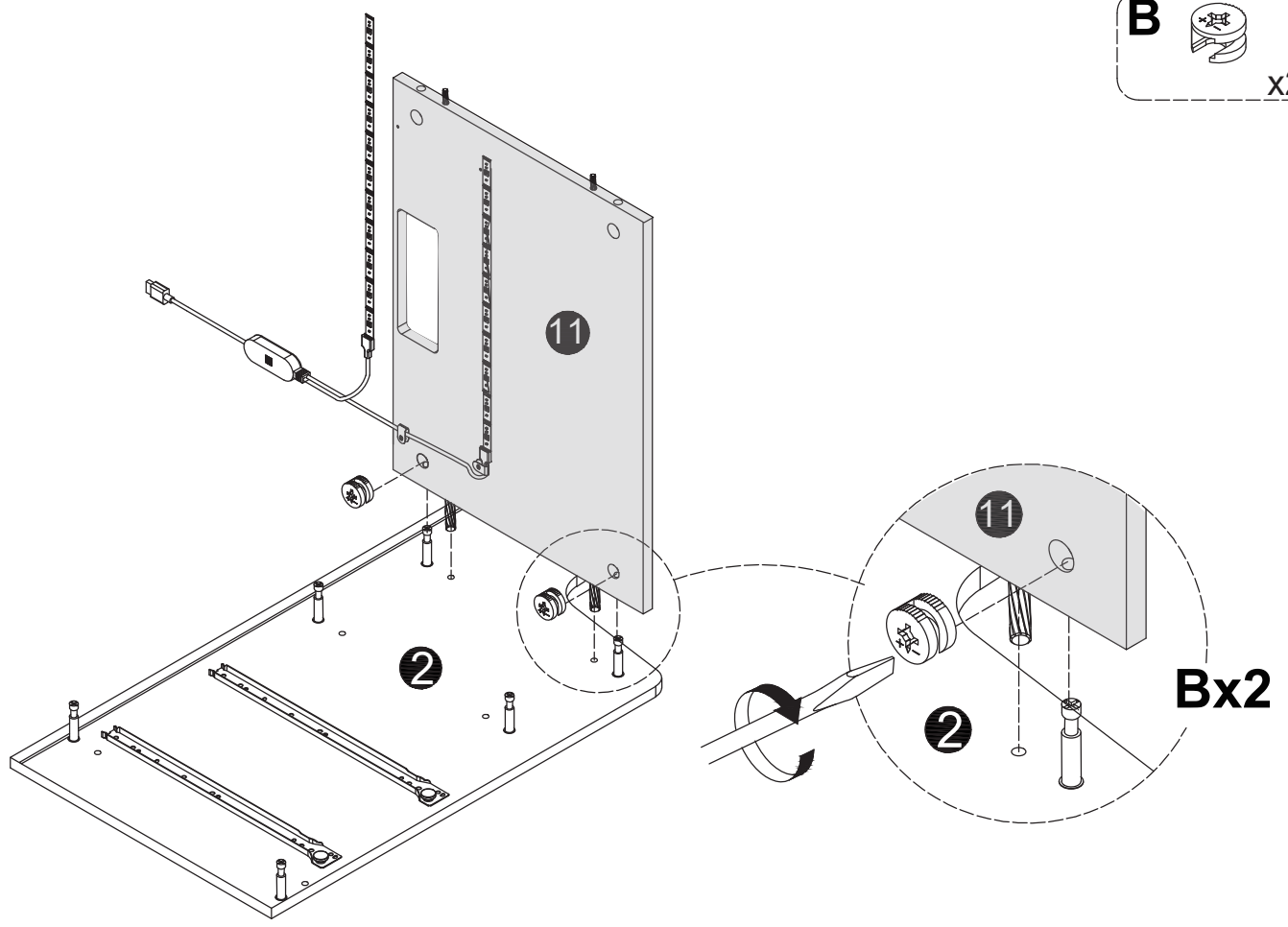


Left

Note: The light bar "O" can be installed on the left or right side, as shown in the figure, it is on the right side

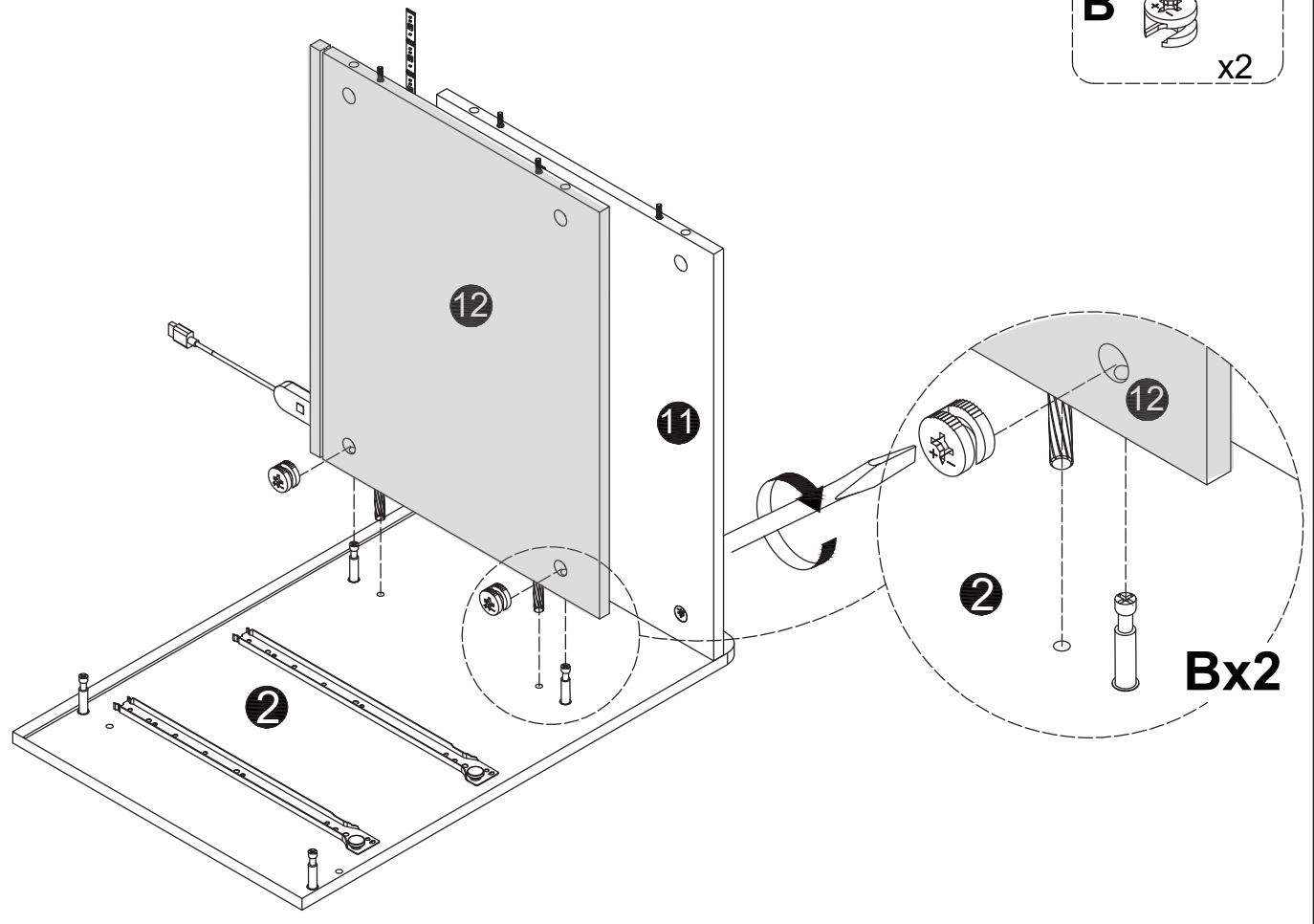
14

B  x2



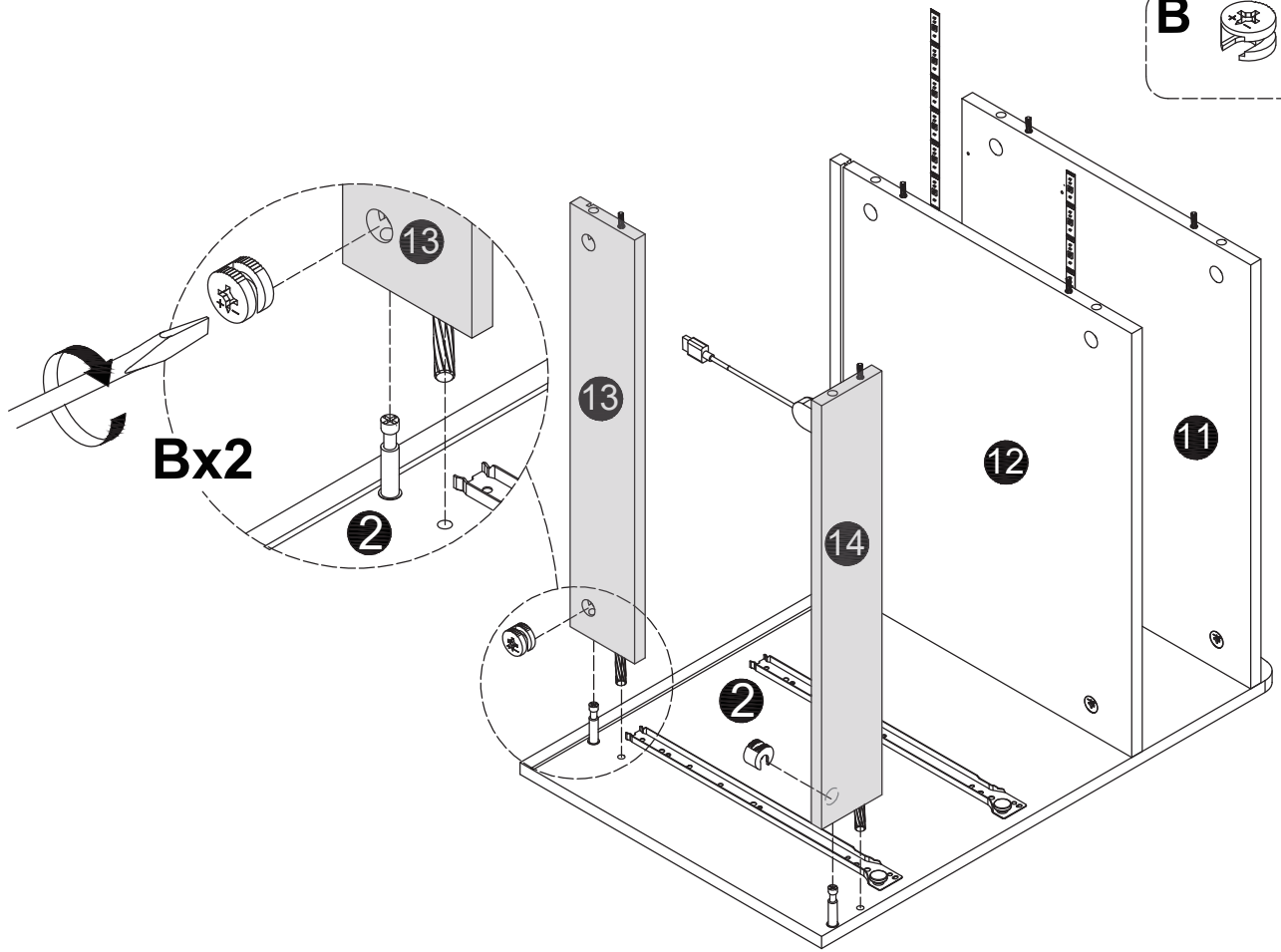
15

B  x2

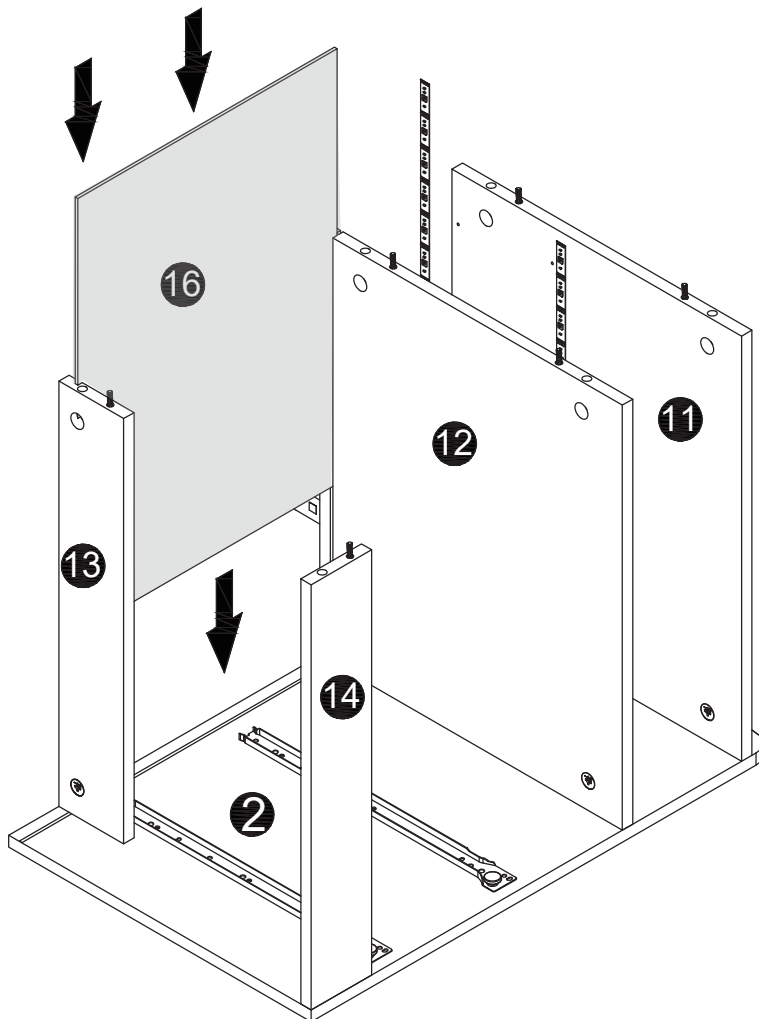


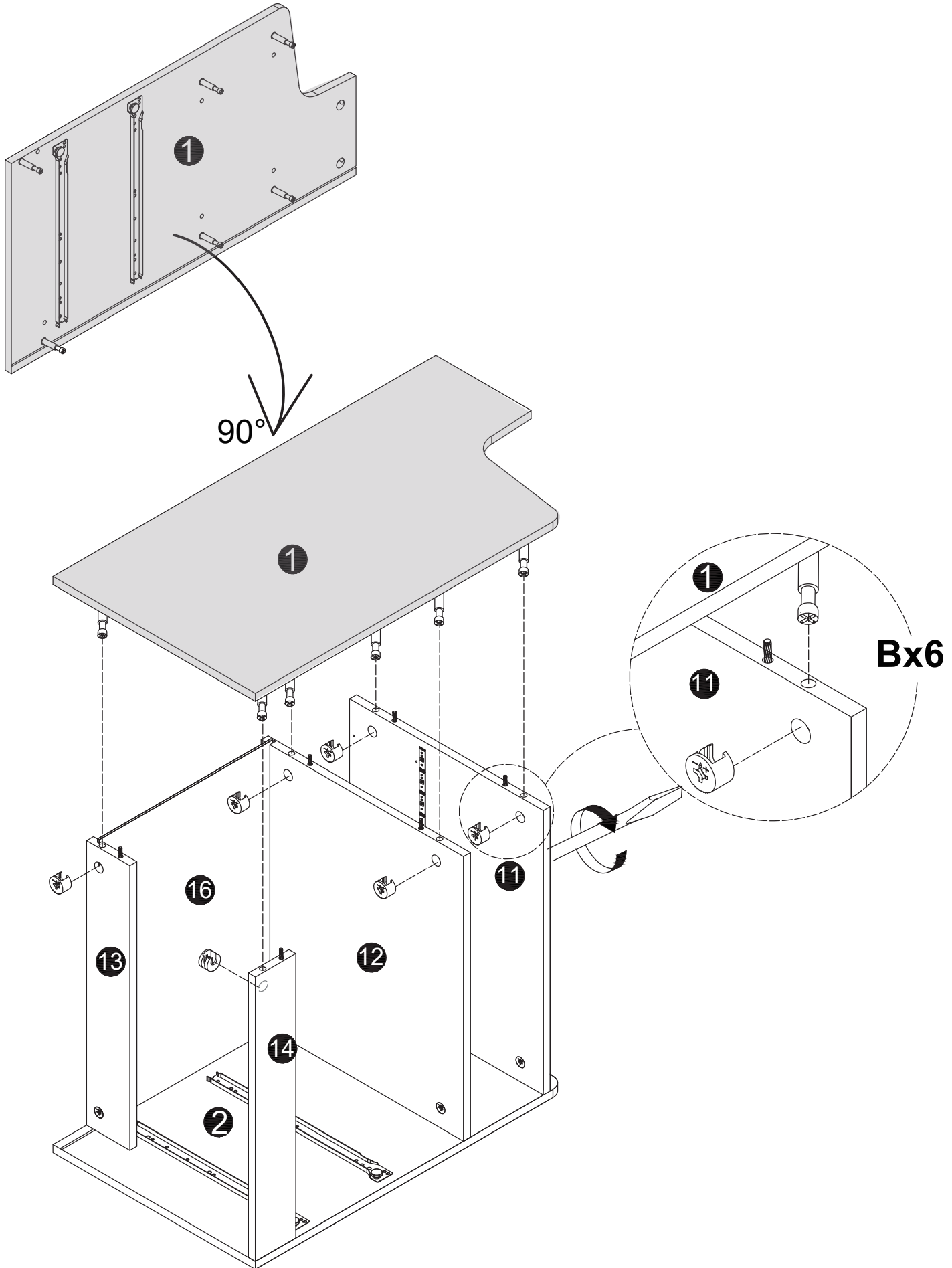
16

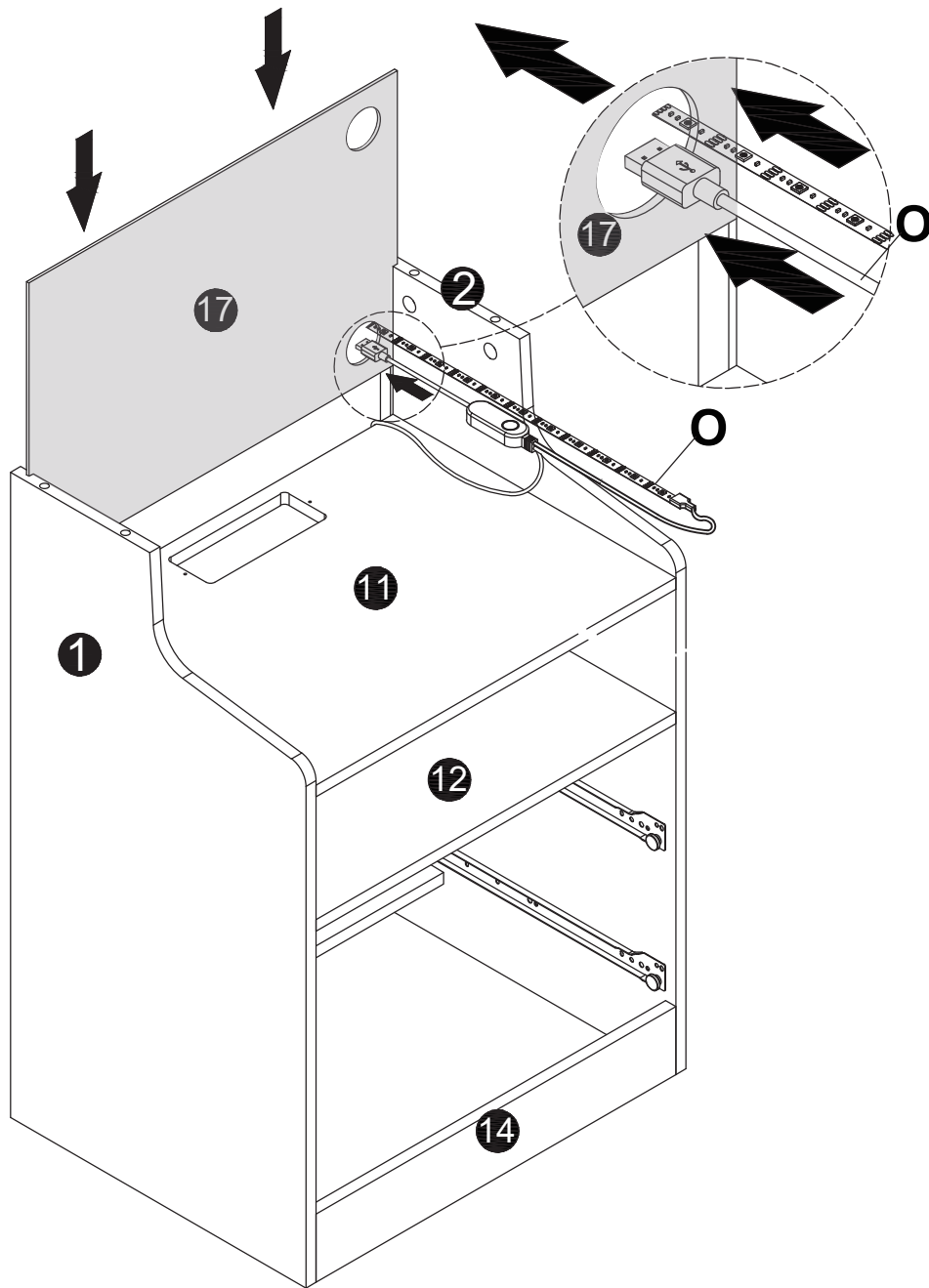
B  x2



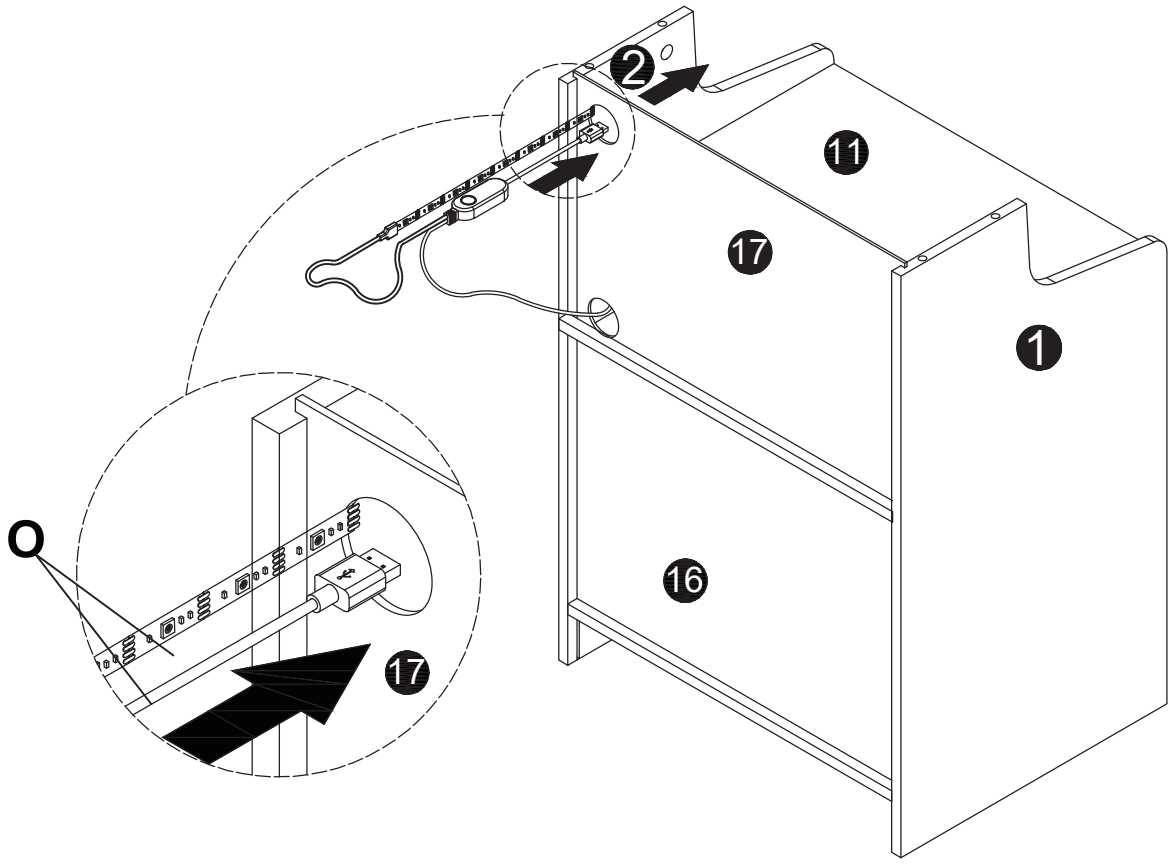
17



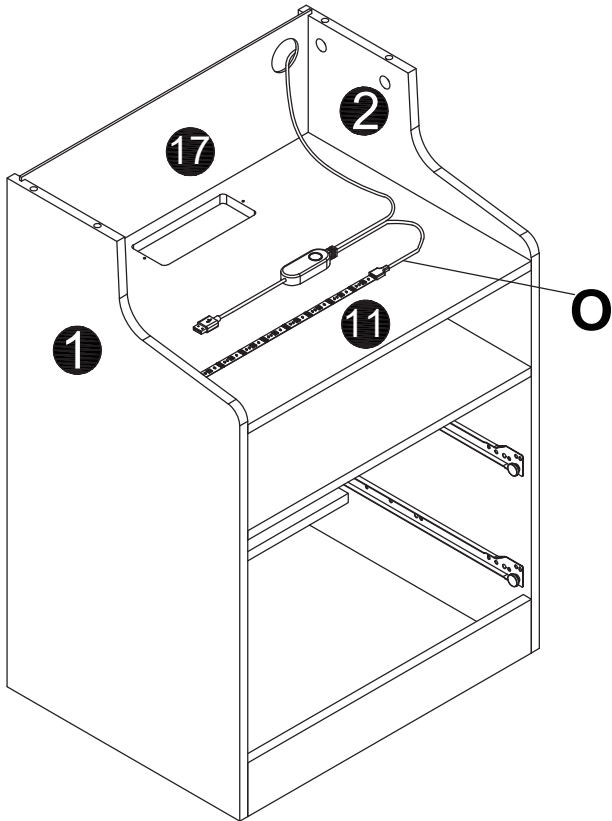




20 (1)

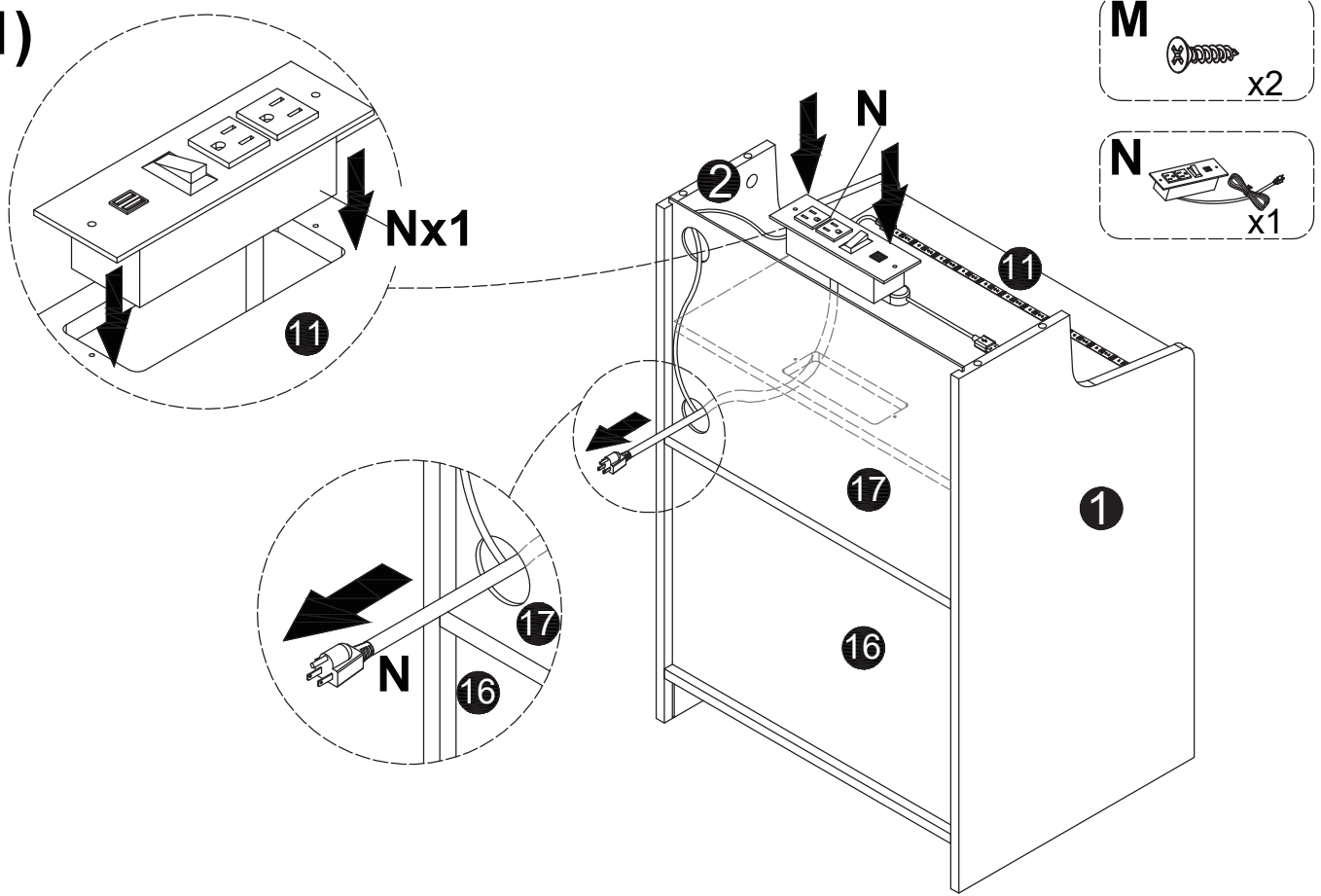


(2)

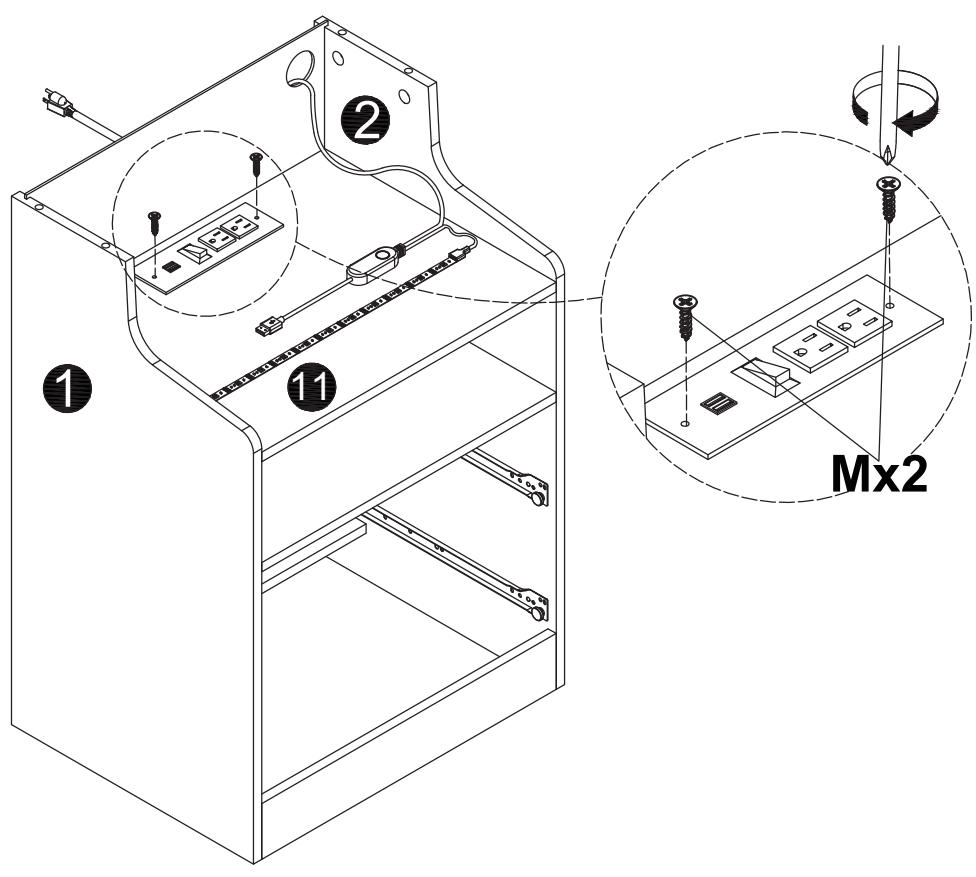




21

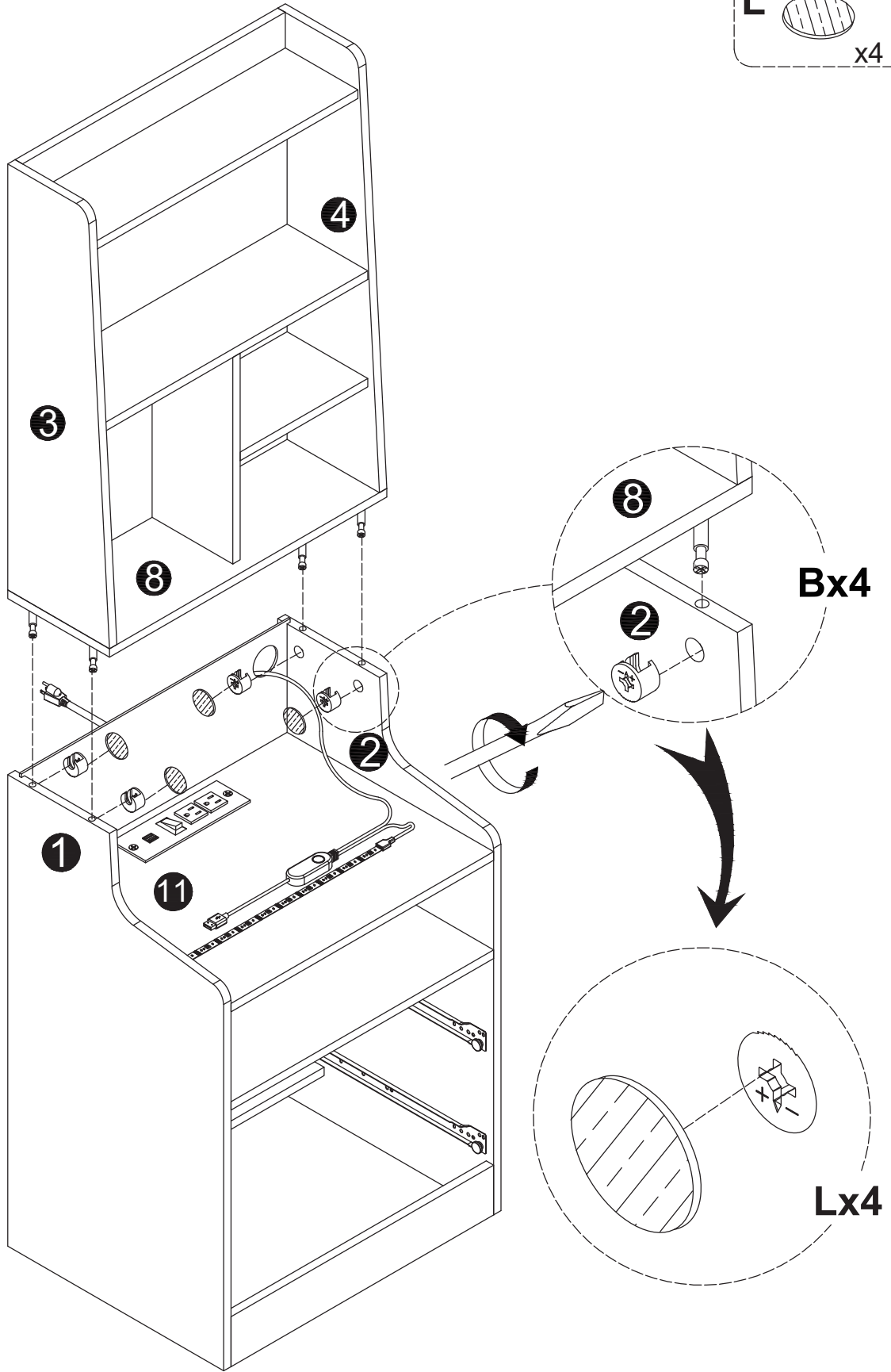
(1)





(2)

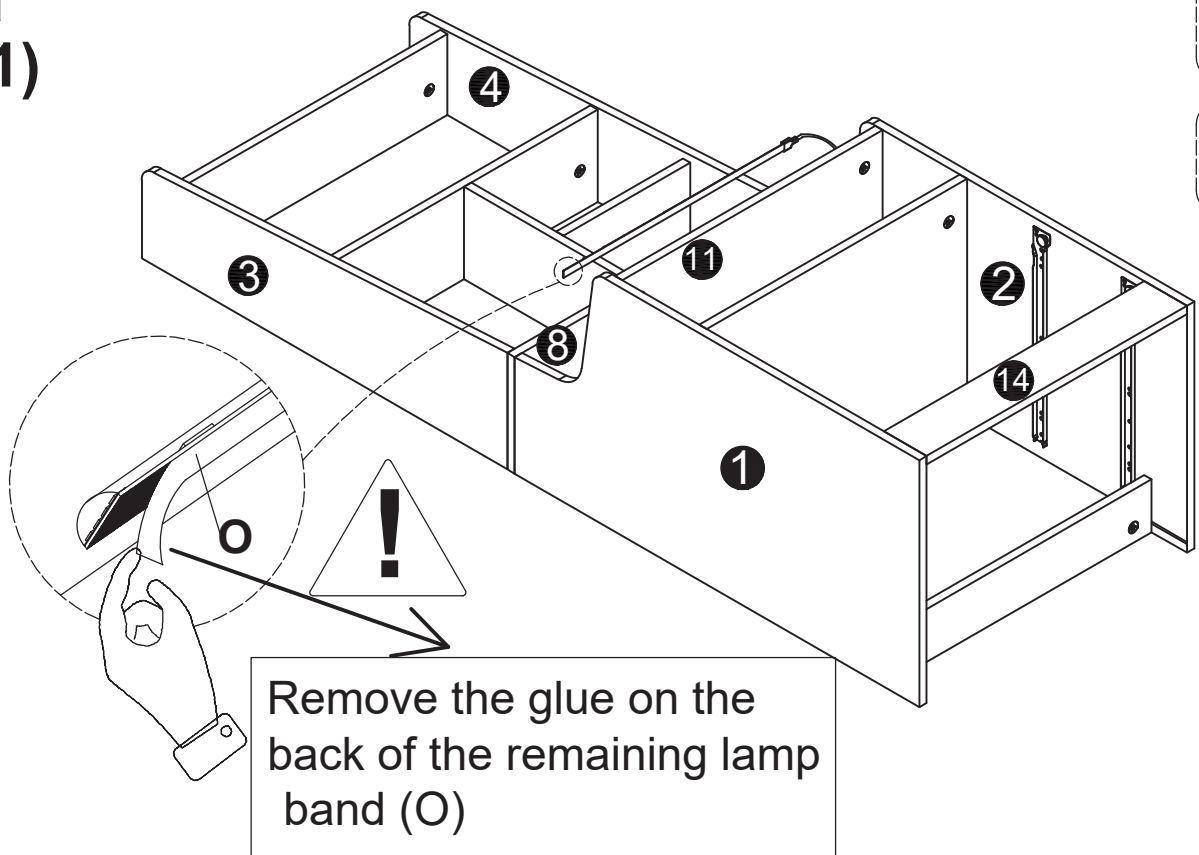


- B**  x4
- L**  x4

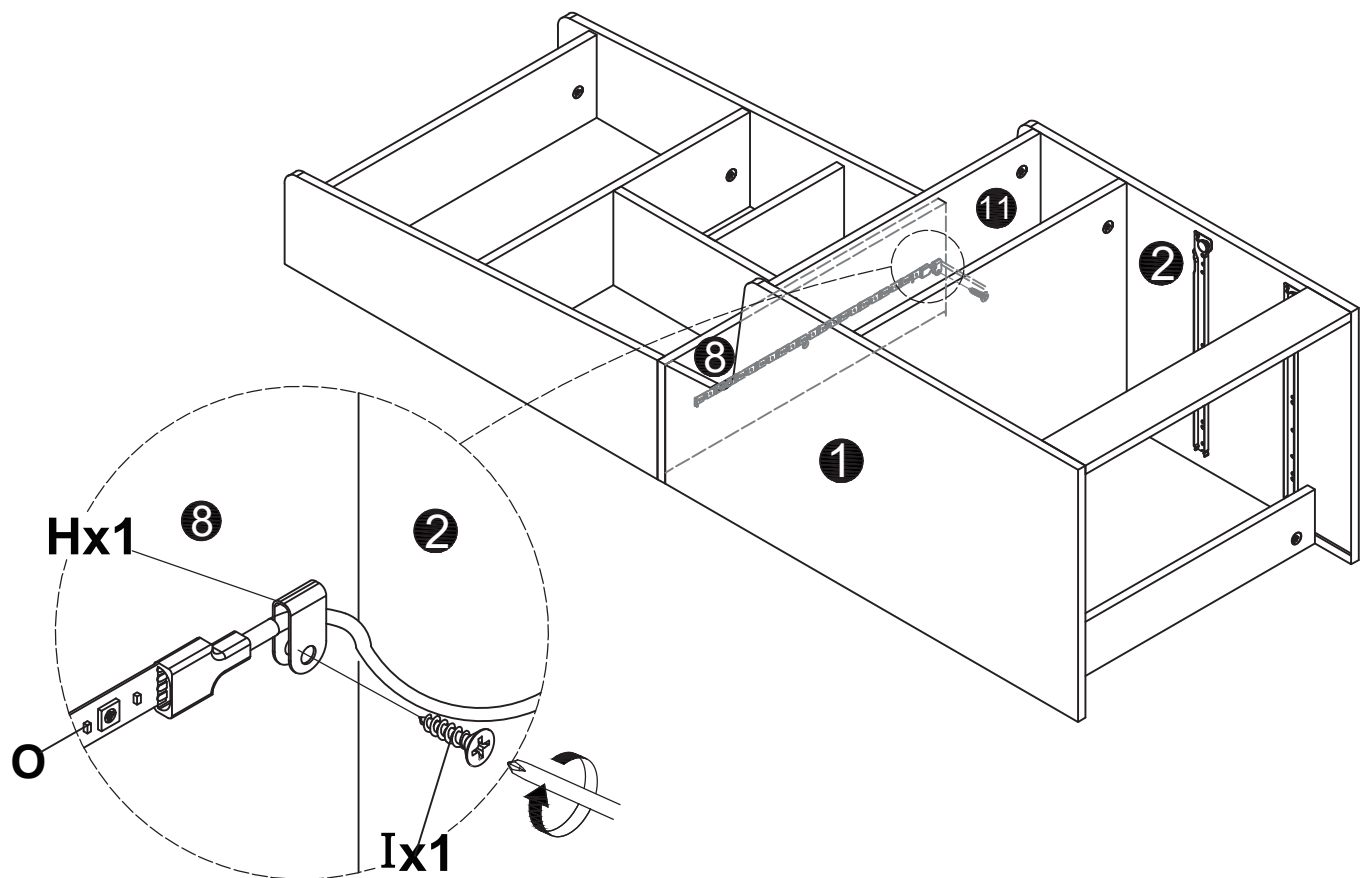


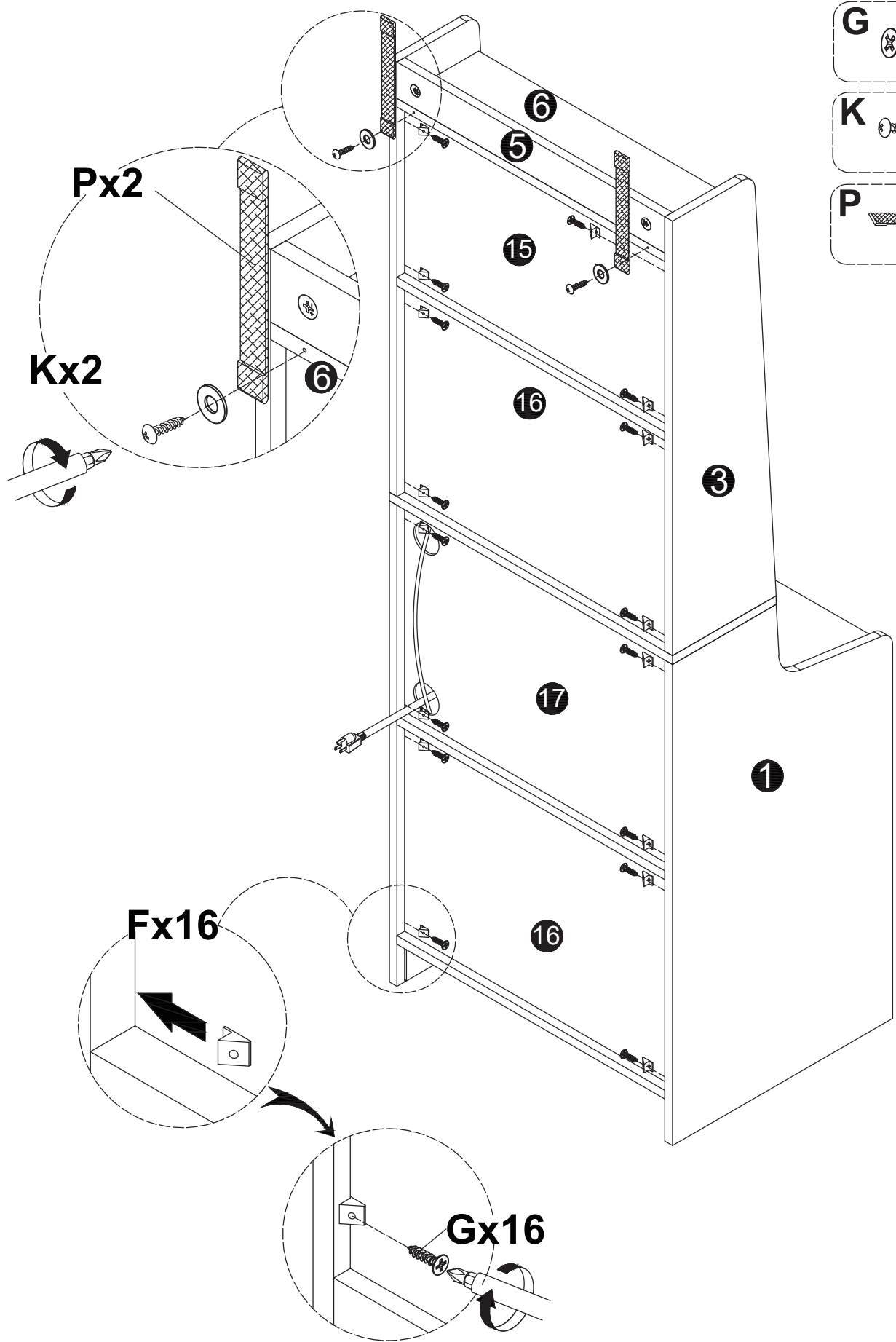
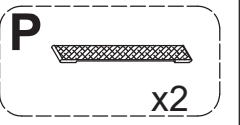
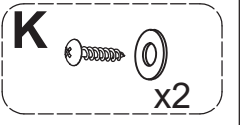
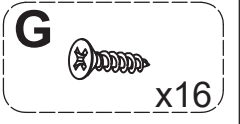
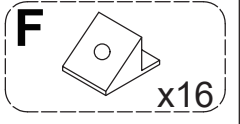
(1)

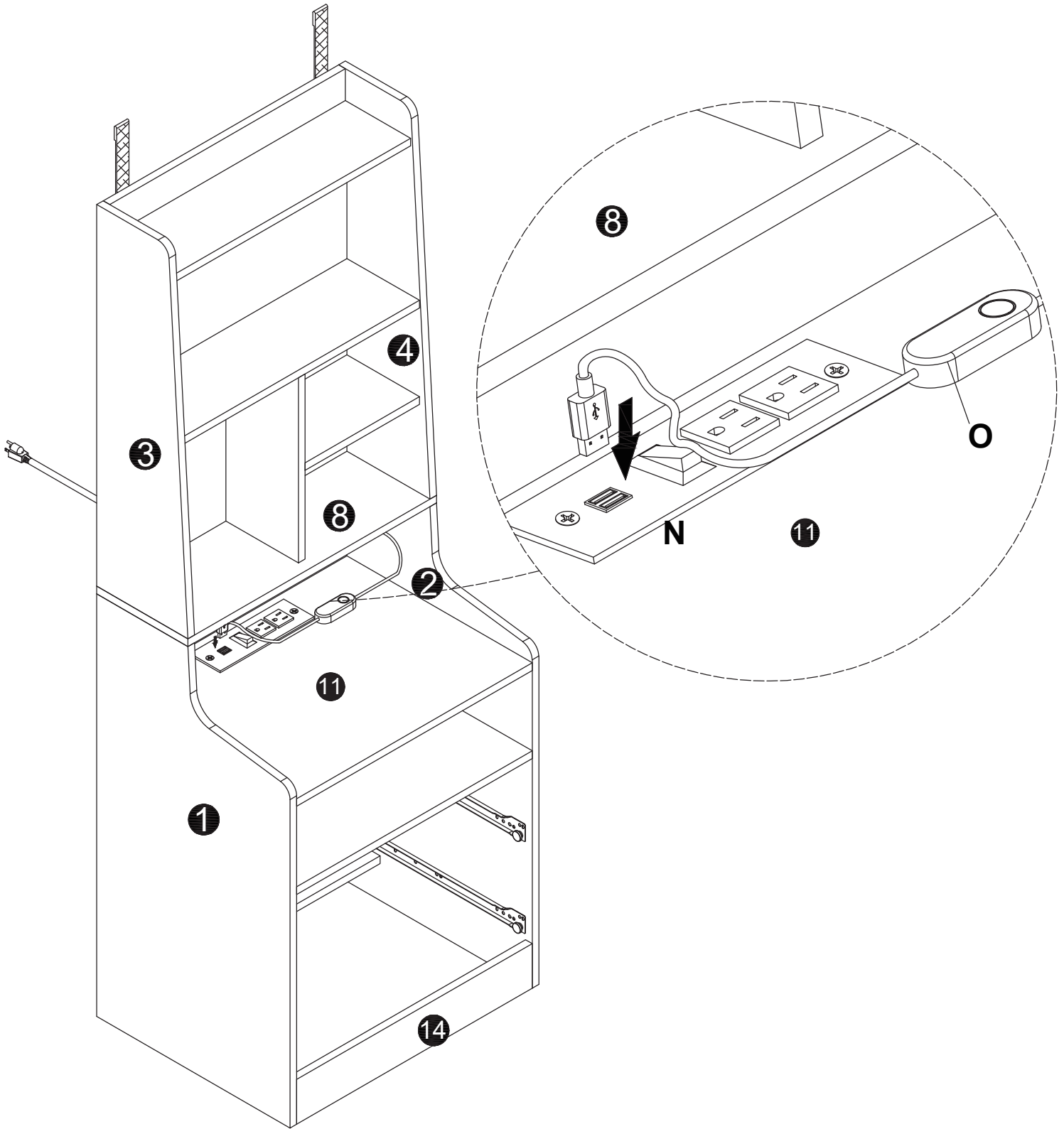
- H  x1
- I  x1



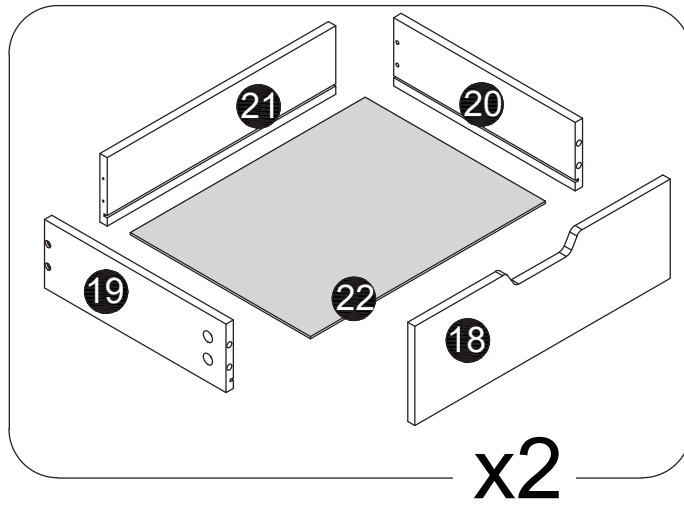
(2)



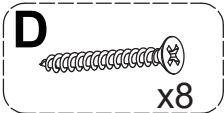
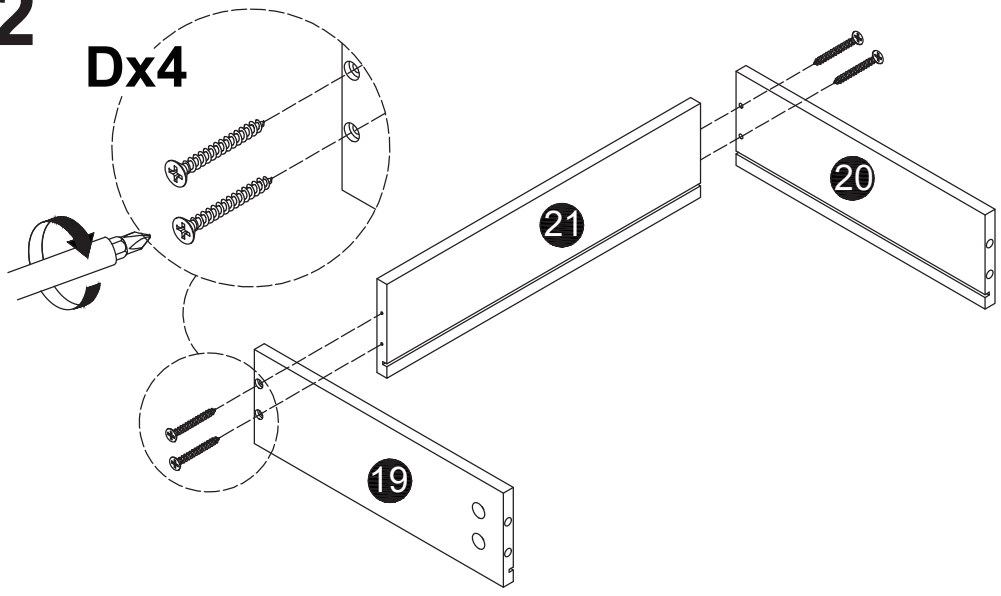




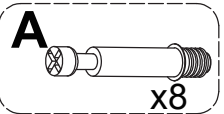
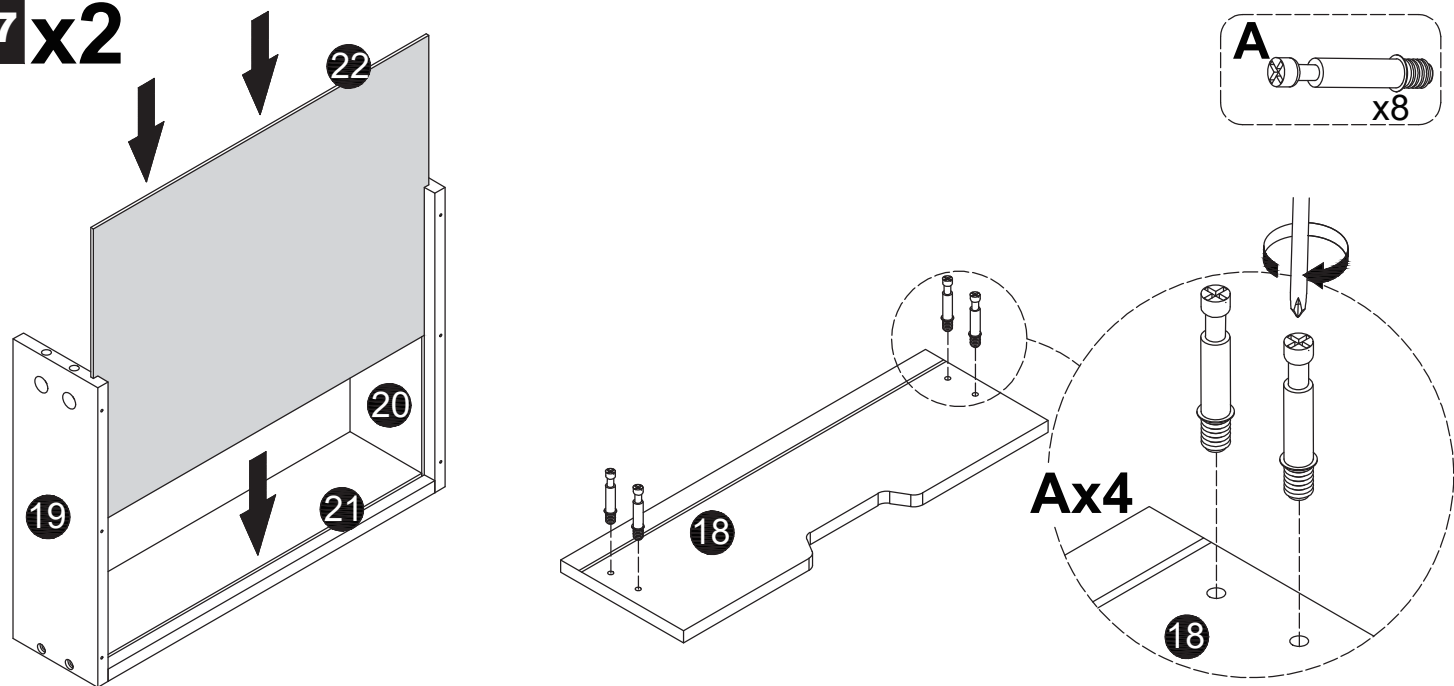
Rest awhile, installing drawers next is a repetitive task
Drawer installation



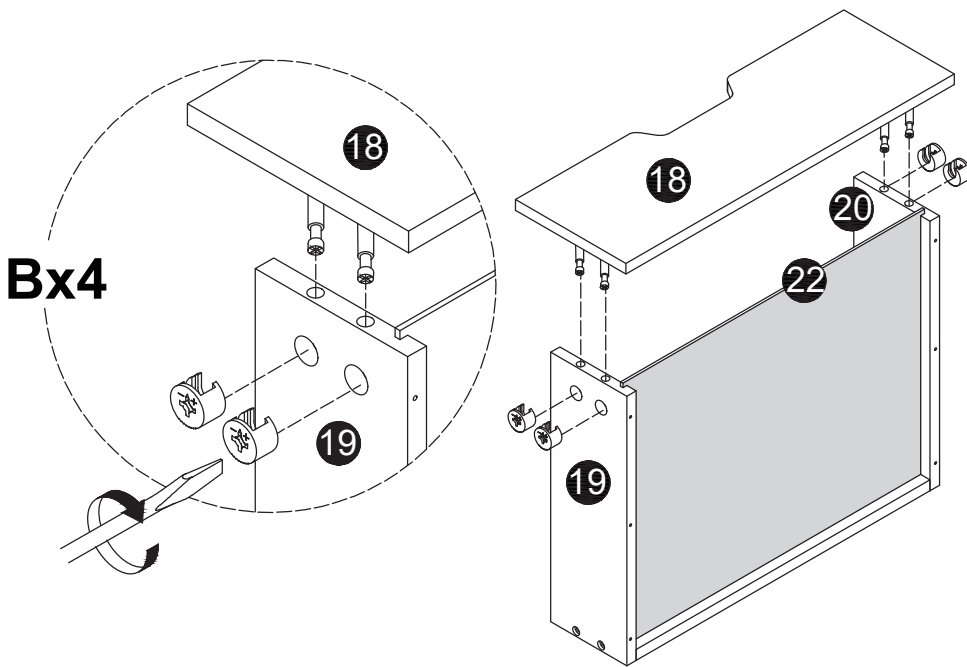
26 x2



27 x2

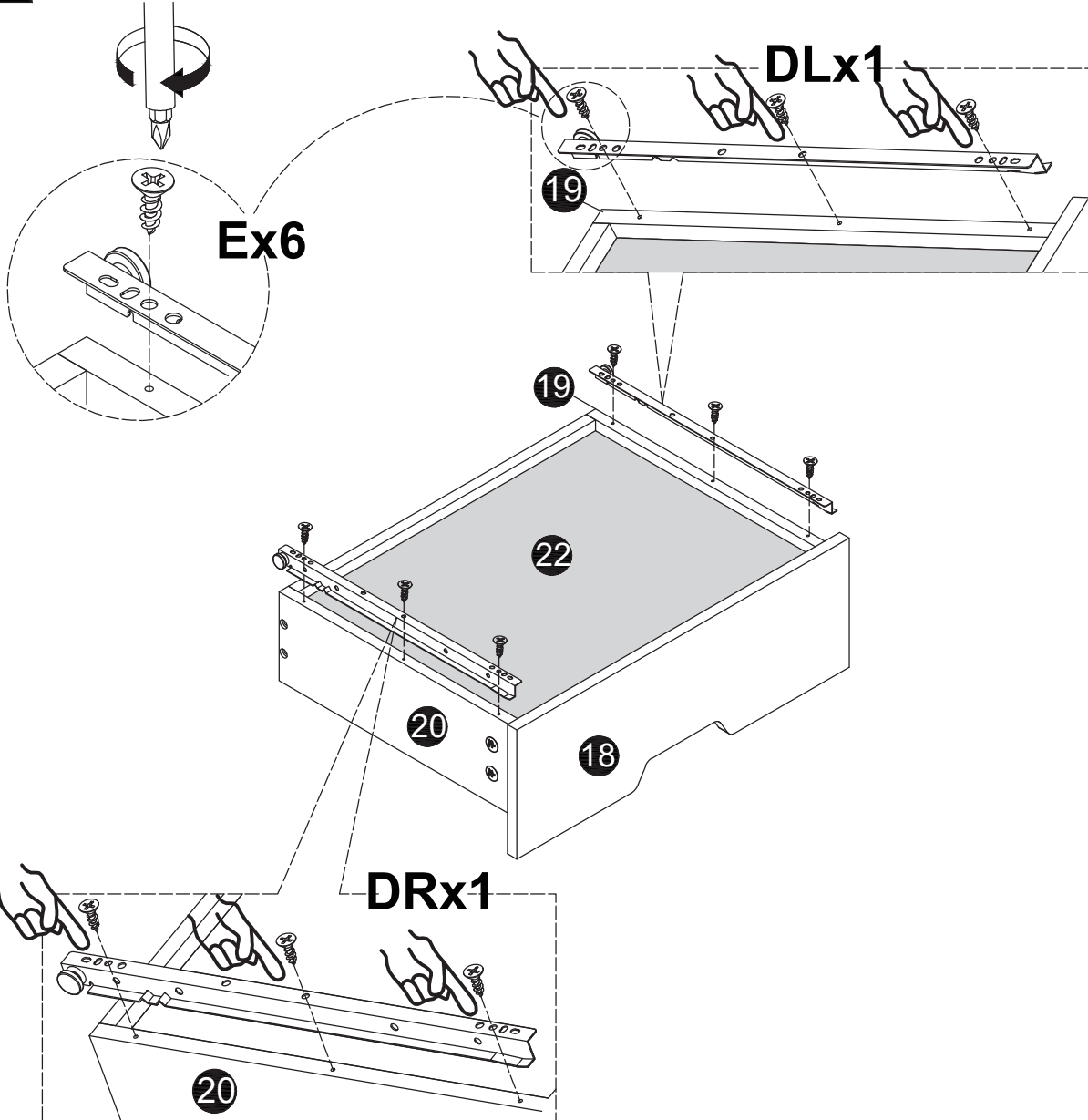



28 x2




B  x8

29 x2

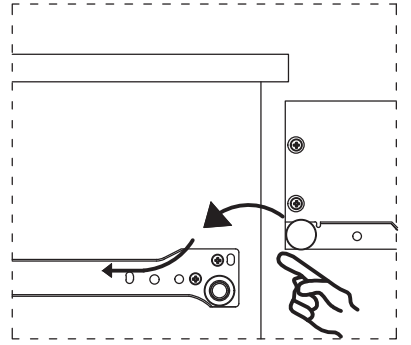
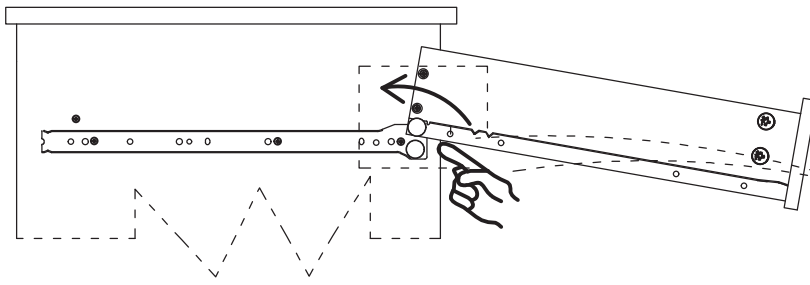


E  x12

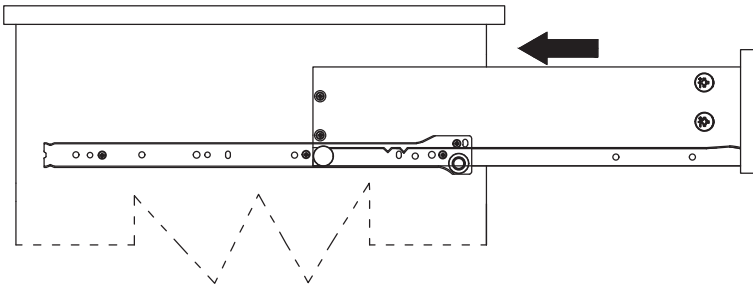
DL  x2

DR  x2

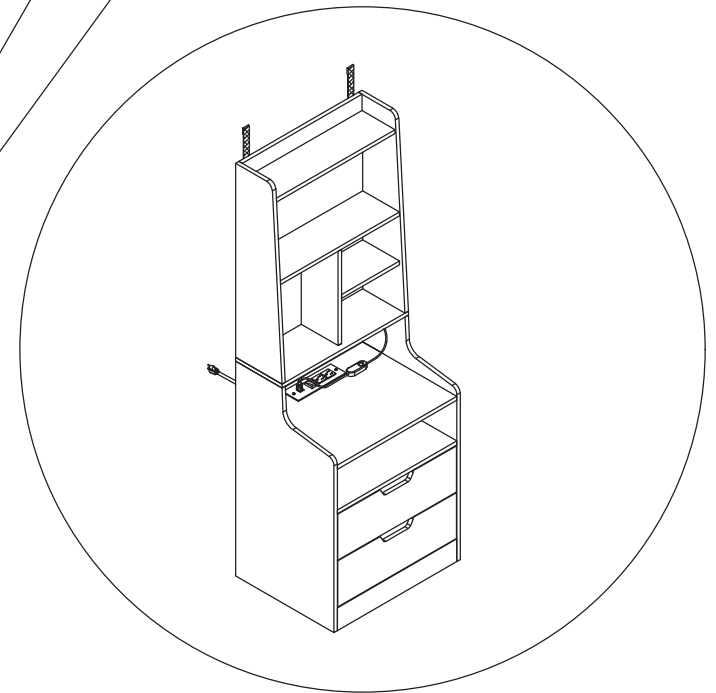
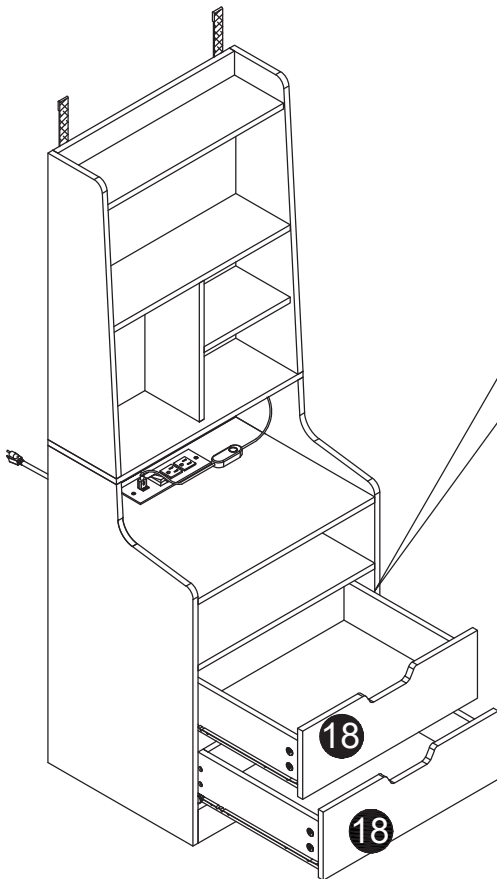
(1)

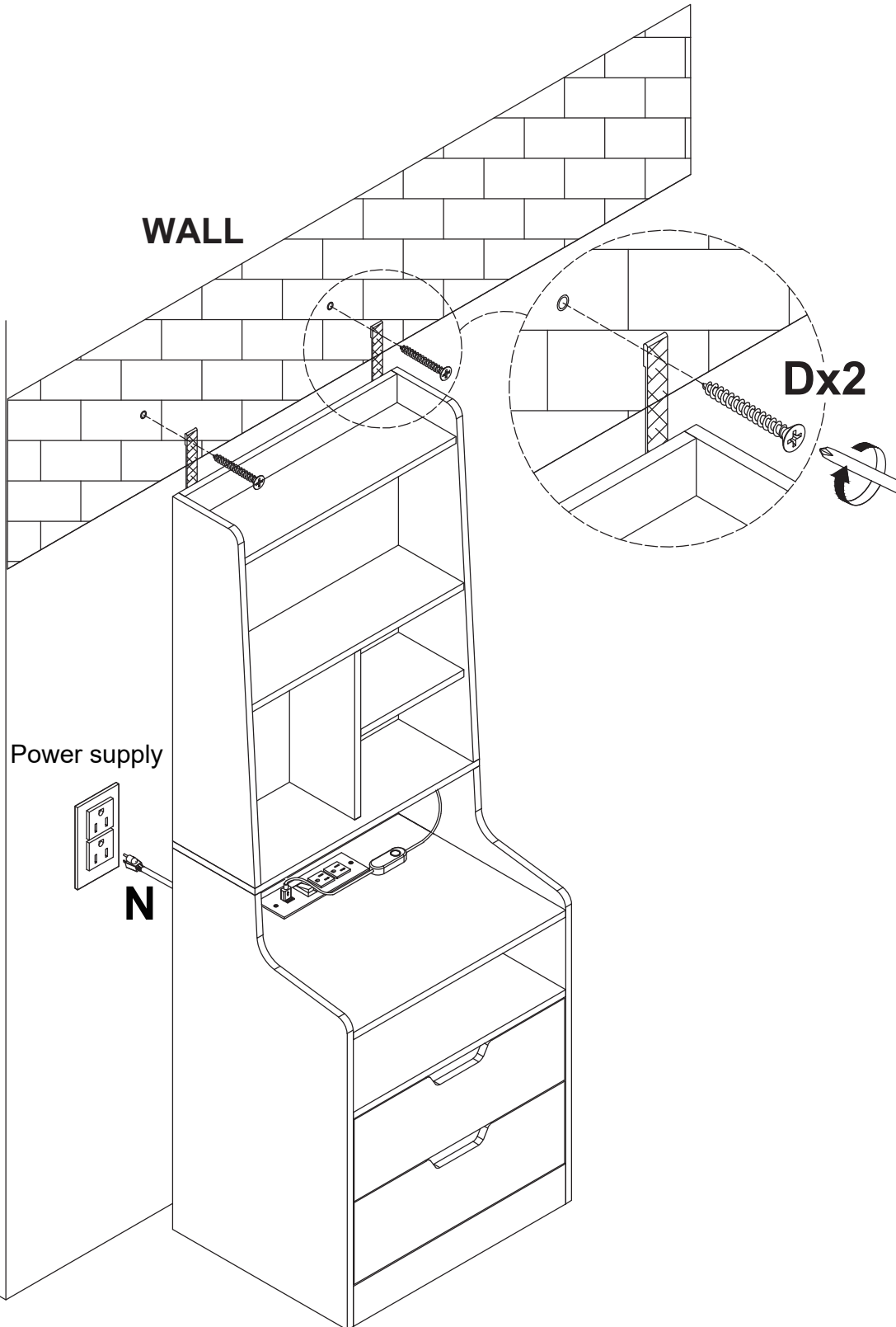
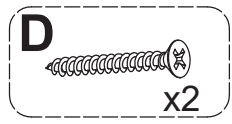
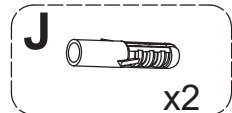
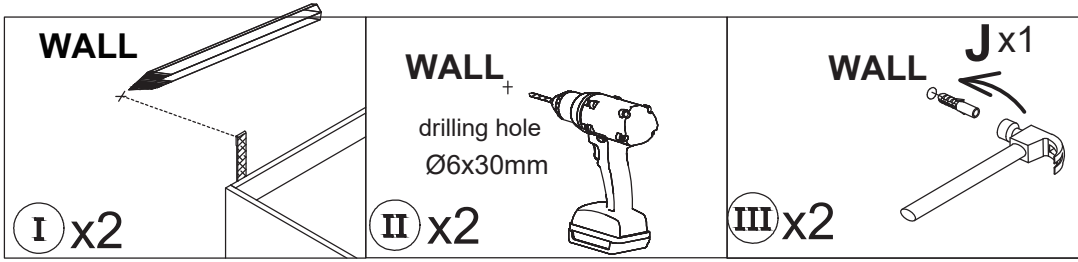


(2)



x2





WALL

Power supply

