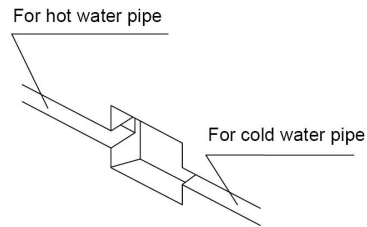
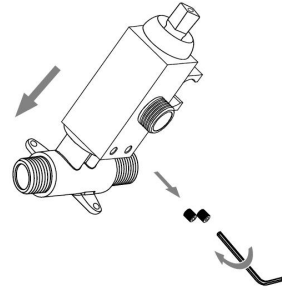


INSTALLATION INSTRUCTIONS

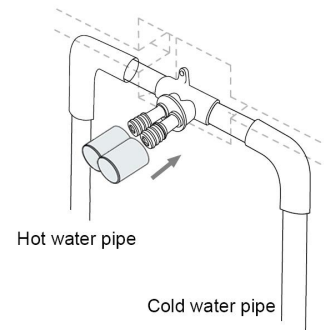
1. Use special tools to chisel holes on wall for installing 3 ways body, hot and cold water pipe. Note: Recommended depth for installing 3 ways body before tiling tiles: 35-40mm (or 1.38"-1.57").



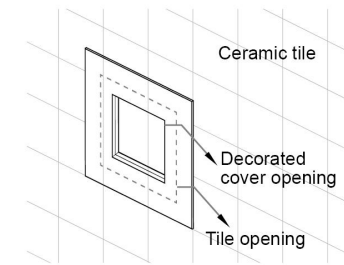
2. Loosen screws with allen key then take off the 3 ways body.



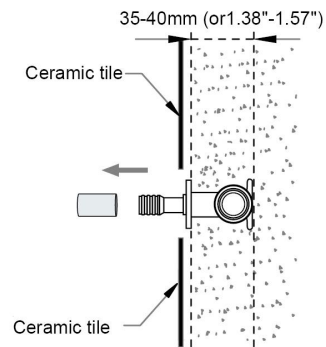
3. Put the plastic protected cover on the thread side of 3 ways body; Connect water pipes to 3 ways body as picture shows, then fix the 3 ways body with screws.



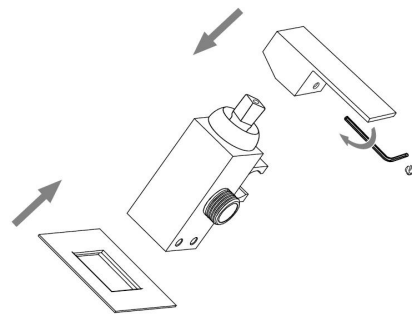
4. Prepare tiles. Note: Tile opening should be bigger than decorated cover opening at least 15 mm (or 0.59").



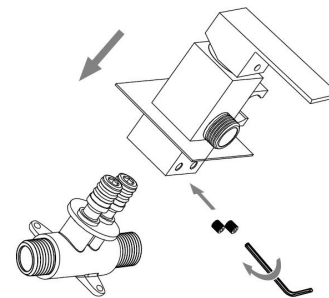
5. Switch on/off the cartridge, check all connectors without any leakage. Then seal the wall with tiles.



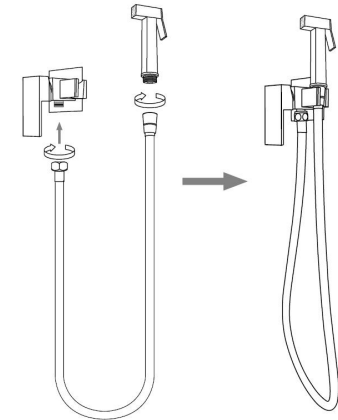
6. Put decorated cover on the mixer body; fix handle with allen key as picture show



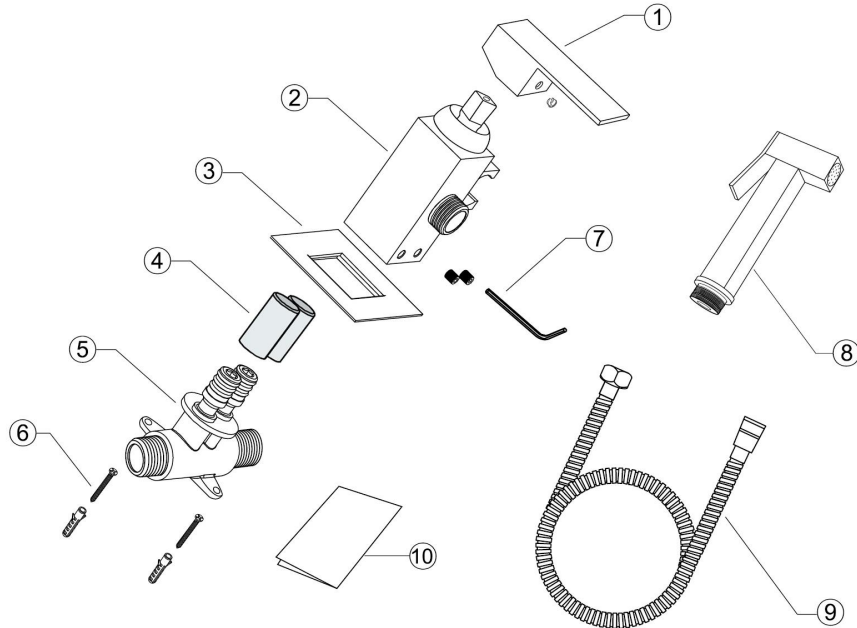
7. Connect mixer body to the 3 ways body then fix it with screws.



8. Connect bidet hose to mixer body and bidet sprayer then put bidet sprayer to holder.



INSTALLATION INSTRUCTIONS

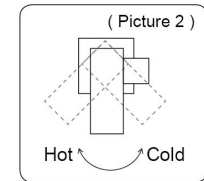
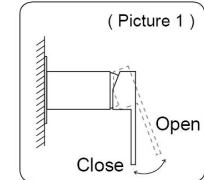


Parts list

NO	NAME	QTY	NO	NAME	QTY
①	Handle	1	⑥	Screw bag	1
②	Mixer body	1	⑦	Allen key	2
③	Decorated cover	1	⑧	Bidet sprayer	1
④	Protected cover	2	⑨	Bidet hose	1
⑤	3 Ways body	1	⑩	Manual	1

Instructions for use

1. Turn on the faucet as picture 1 shows. The greater the handle angle, the greater the water flow; Conversely, the smaller the handle angle, the smaller the water flow, until it is closed.
2. Turn on the faucet. Adjust handle to left to get more hot water; Adjust handle to right to get more cold water. Shown as picture 2.



Cautions:

1. Before installation, all water lines must be flushed at least 60 seconds to remove any foreign material so that the foreign material will not damage the cartridge.
2. After installation, please check if all connections were well installed, and make sure there are no leakage.
3. Use water and soft cloth to clean the faucet.
4. Use a mild liquid detergent for cleaning, do not use abrasive detergent that may scratch or dull the surface.



Warning:

You can seal the wall only when there are no any leakage after installing the 3 ways body and water pipe.